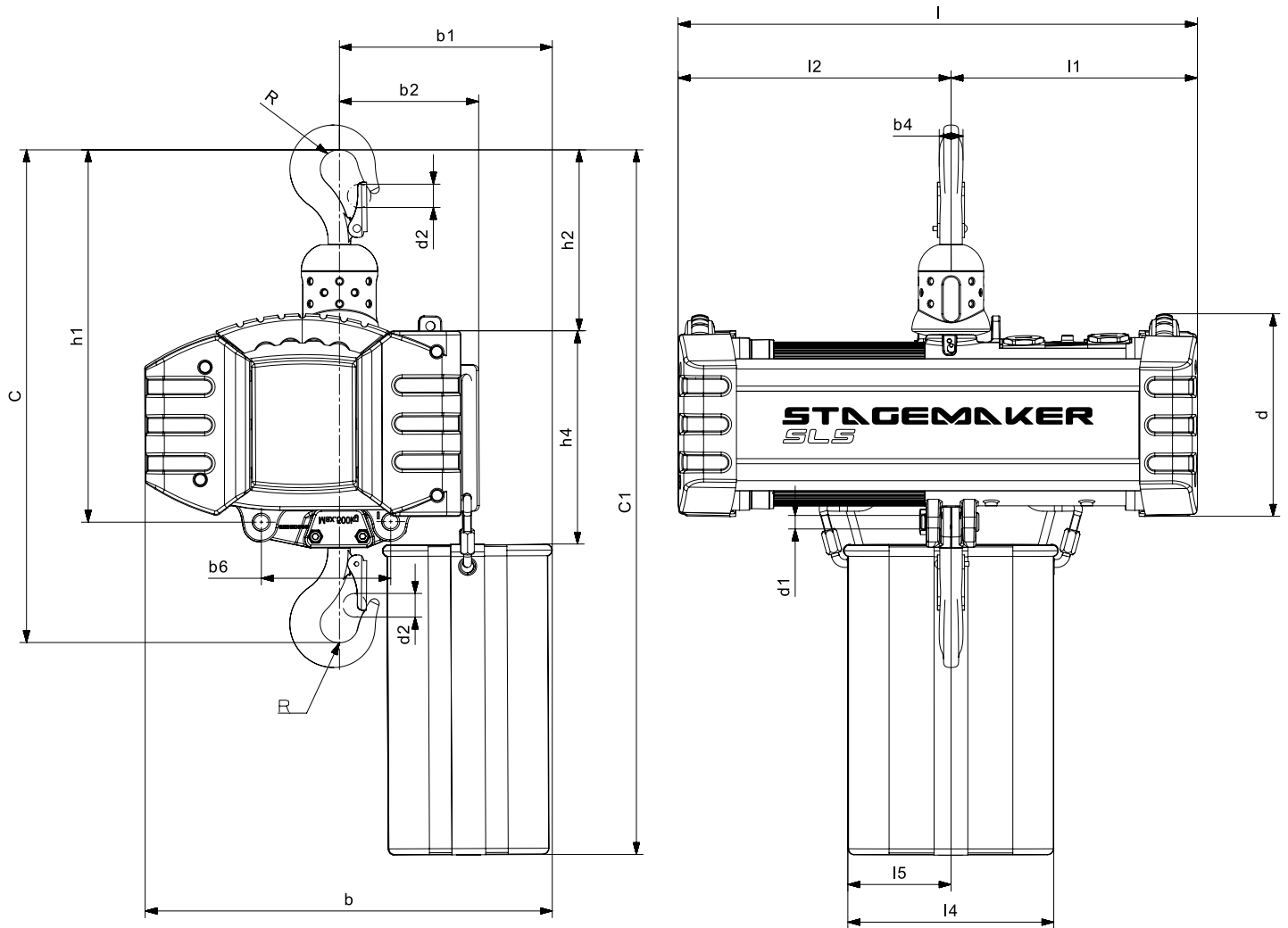


Climbing hoist configuration



Chain hoist size	Motor	C	C1		b		b1		b2	l		l1		
			Chain collector box size		Chain collector box size		Chain collector box size			Single brake	Double brake+GLS	i2	Single brake	Double brake+GLS
			H20	H40/H50	H20	H40	H20	H40						
SL05	MT08NB200	438	626	755	362	189	124	462	519	243	219	276		

i4		i5		b4	b6	d	d1	d2	R	h1	h2	h4
Chain collector box size												
H20	H40	H20	H40									
182	212	91	106	21	115	180	12	21	17	331	161	190