



# MANUAL HOISTS ZHV



# ZHV<sup>®</sup>

## Manual chain hoist for loads from 500 to 50,000 kg

### ► Technical characteristics

- › Epoxy Painting (min. 50 µm).
- › Machined chain sprocket and gears provide smoother, more efficient operation.
- › High strength alloy steel load chain with corrosion-resistant galvanized
- › Galvanized hand chain.
- › ZHV's compact design offers safety together with reduced weight. Ideal for construction and maintenance applications.
- › Steel casing solidly protects chain sprocket, gearcase and handwheel cover.
- › Upper and lower alloy steel ISO hooks with safety latches.
- › Delivered with CE certificate.

### ► Options available (according models)

- › ZHV with EX ATEX marking (bronze coated hook, polyester paint,...)
- › ZHV full stainless steel (hoist frame, chain, hook,...)
- › ZHV with Aluminum Ceramic Coat (min. 30 µm).
- › ZHV with Aluminum Ceramic Coat (min. 30 µm) and additional polyester paint.
- › ZHV with Offshore paint coating.
- › Locking device on trolley, activated by hand chain.
- › ZHV with normal headroom trolley (HPN).
- › ZHV with short headroom trolley (HPR).
- › ZHV with trolley for curved beam (HPNB).
- › ZHV with short headroom trolley (HPR).

Large range of surface treatment may be apply. See page 17.



◀ ZHV with Aluminum Ceramic Coat



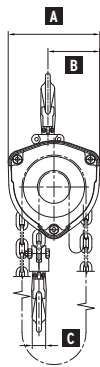
◀ Hand chain block EX ATEX with coat of polyester paint and brass hook



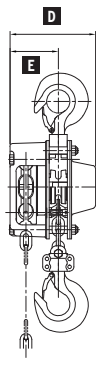
◀ ZHV full stainless steel (500 & 1,000 kg)



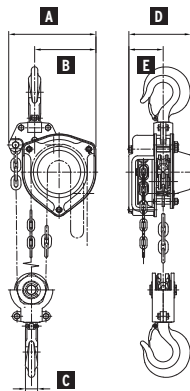
Load (kg)	Dimensions in mm					Standard height of lift (m)	Length of hand chain (m)	Lifting chain size (mm)	Number of falls	Weight (kg)
	A	B	C	D	E					
500	150	85	22	140	79	2,5	2,0	Ø 6,3 x P 19,0	1	10,5
1000	150	85	22	140	79	2,5	2,0	Ø 6,3 x P 19,0	1	10,5
1000	163	92,5	22	149,5	84,75	2,5	2,0	Ø 7,1 x P 20,2	1	12
1500	163	92,5	24	149,5	84,8	2,5	2,0	Ø 7,1 x P 20,2	1	13
1500	193	110,5	28	162,3	90,25	2,5	2,0	Ø 7,9 x P 23,0	1	18
2000	193	110,5	28	162,3	90,3	3,0	2,5	Ø 7,9 x P 23,0	1	20
2000	224	130	33	175	94,5	3,0	2,5	Ø 9,5 x P 28,6	1	25,5
3000	228,5	160,5	32	162,3	90,25	3,0	2,5	Ø 7,9 x P 23,0	2	28,5
5000	291,5	190,5	45	162,3	90,25	3,0	3,0	Ø 7,9 x P 23,0	3	44
8000	423	285	68	191	102	3,5	3,5	Ø 11,1 x P 33,3	3	91
10000	423	285	68	191	102	3,5	3,5	Ø 11,1 x P 33,3	3	91
15000	465	293	92,4	251	149	3,5	3,5	Ø 11,1 x P 33,3	5	181
20000	798	399	92,4	310	155	3,5	3,5	Ø 11,1 x P 33,3	6	235
30000	834	417	110	437	218,5	3,5	3,5	Ø 11,1 x P 33,3	10	492
40000	862	431	130	554	277	3,5	3,5	Ø 11,1 x P 33,3	14	800
50000	936	468	156	727	363,5	3,5	3,5	Ø 11,1 x P 33,3	18	1880



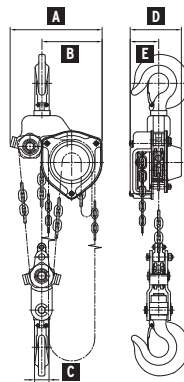
ZHV 1 fall



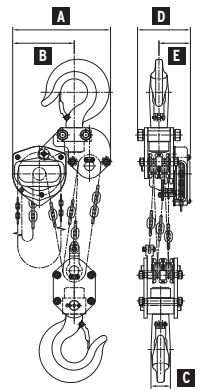
ZHV 2 fall



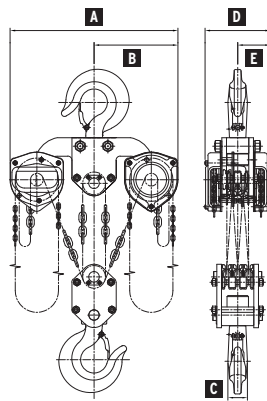
ZHV 3 fall



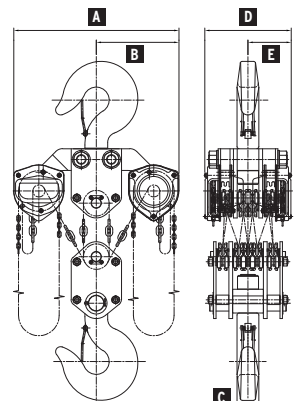
ZHV 5 fall



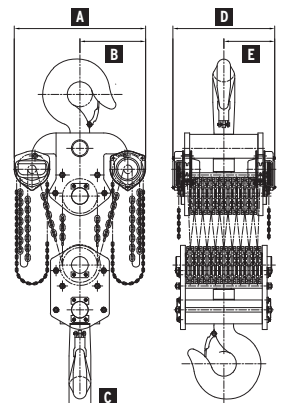
ZHV 6 fall



ZHV 10 fall

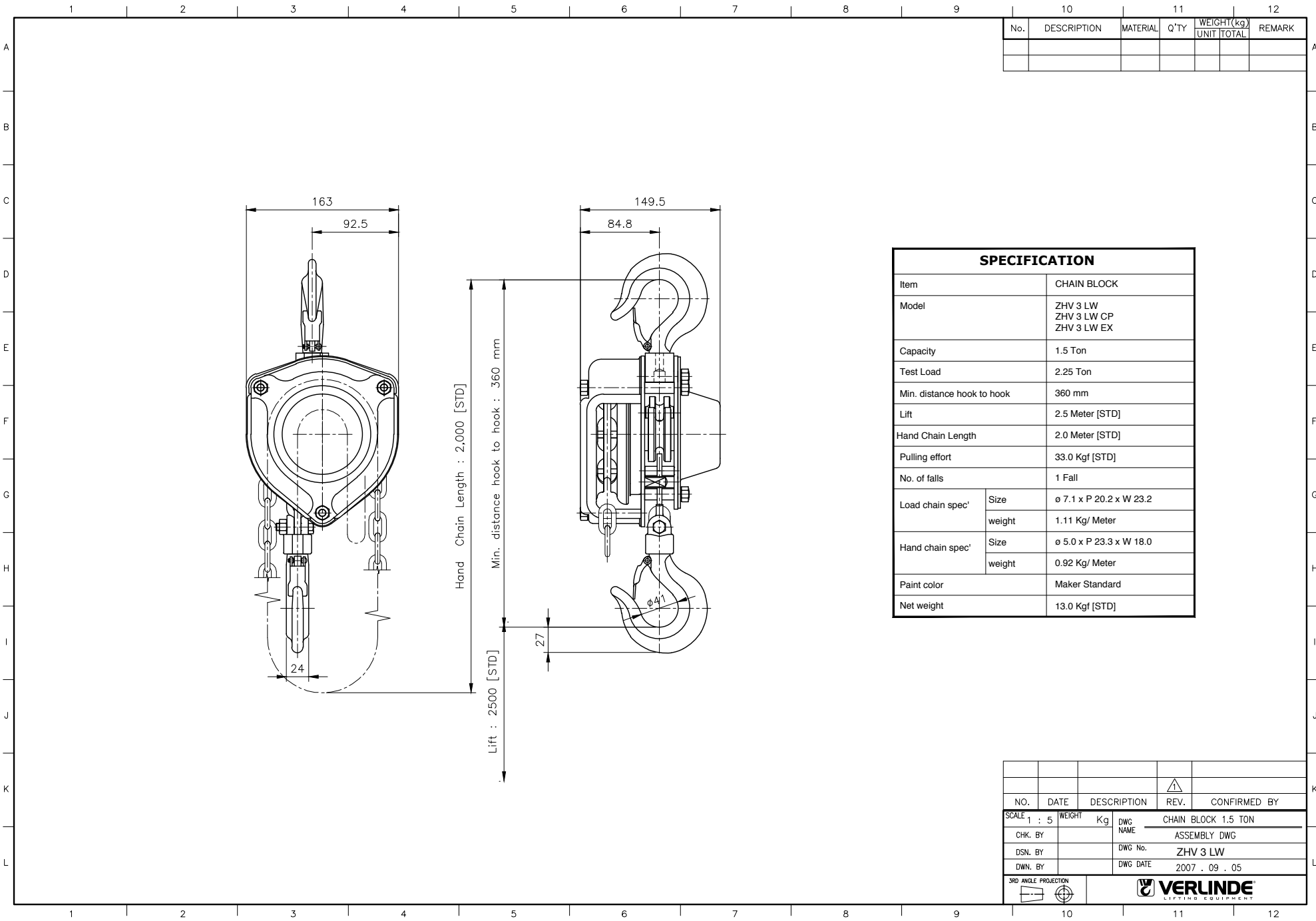


ZHV 14 fall



ZHV 18 fall





No.	DESCRIPTION	MATERIAL	Q'TY	WEIGHT (kg)		REMARK
				UNIT	TOTAL	

SPECIFICATION		
Item	CHAIN BLOCK	
Model	ZHV 3 LW ZHV 3 LW CP ZHV 3 LW EX	
Capacity	1.5 Ton	
Test Load	2.25 Ton	
Min. distance hook to hook	360 mm	
Lift	2.5 Meter [STD]	
Hand Chain Length	2.0 Meter [STD]	
Pulling effort	33.0 Kg [STD]	
No. of falls	1 Fall	
Load chain spec'	Size	ø 7.1 x P 20.2 x W 23.2
	weight	1.11 Kg/ Meter
Hand chain spec'	Size	ø 5.0 x P 23.3 x W 18.0
	weight	0.92 Kg/ Meter
Paint color	Maker Standard	
Net weight	13.0 Kg [STD]	

NO.	DATE	DESCRIPTION	REV.	CONFIRMED BY

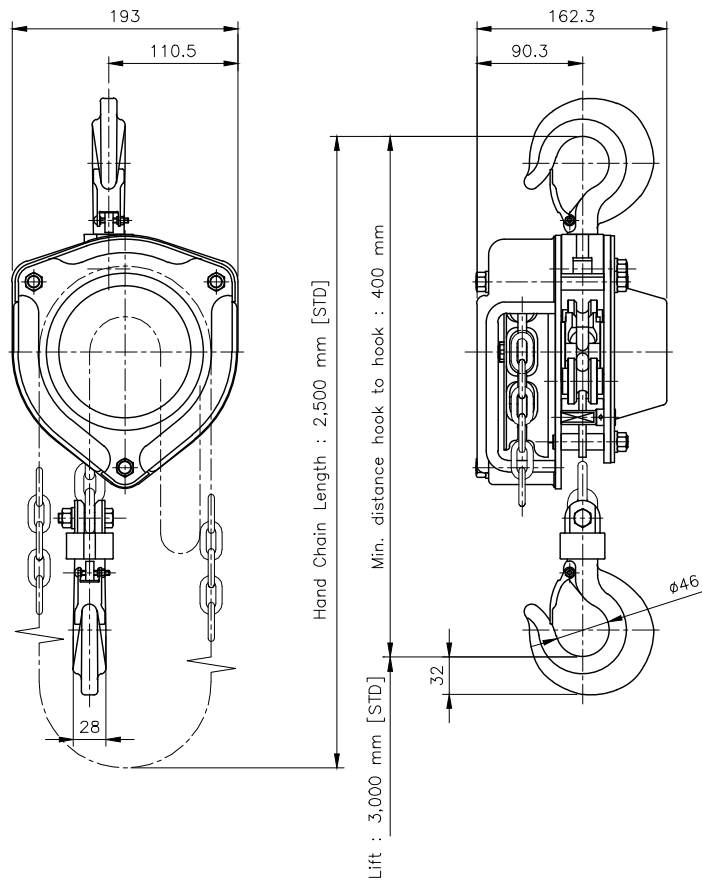
  

SCALE	1 : 5	WEIGHT	Kg	DWG	CHAIN BLOCK 1.5 TON
CHK. BY		DWG	NAME	ASSEMBLY DWG	
DSN. BY		DWG	No.	ZHV 3 LW	
DWN. BY		DWG	DATE	2007 . 09 . 05	

3RD ANGLE PROJECTION			<b>VERLINDE</b> LIFTING EQUIPMENT
----------------------	--	--	--------------------------------------

No.	DESCRIPTION	MATERIAL	Q'TY	WEIGHT (kg)		REMARK
				UNIT	TOTAL	



SPECIFICATION		
Item	CHAIN BLOCK	
Model	ZHV 4 LW ZHV 4 LW CP ZHV 4 LW EX	
Capacity	2.0 Ton	
Test Load	3.0 Ton	
Min. distance hook to hook	400 mm	
Lift	3.0 Meter [STD]	
Hand Chain Length	2.5 Meter [STD]	
Pulling effort	34.0 Kgf [STD]	
No. of falls	1 Fall	
Load chain spec'	Size	ø 7.9 x P 23.0 x W 25.9
	weight	1.36 Kg/ Meter
Hand chain spec'	Size	ø 5.0 x P 23.3 x W 18.0
	weight	0.92 Kg/ Meter
Paint color	Maker Standard	
Net weight	20.0 Kgf [STD]	

NO.	DATE	DESCRIPTION	REV.	CONFIRMED BY
SCALE	1 : 6	WEIGHT	Kg	DWG NAME
				CHAIN BLOCK 2.0 TON
CHK. BY				ASSEMBLY DWG
DSN. BY				DWG No. ZHV 4 LW
DWN. BY				DWG DATE 2007 . 09 . 05
3RD ANGLE PROJECTION		<b>VERLINDE</b> LIFTING EQUIPMENT		