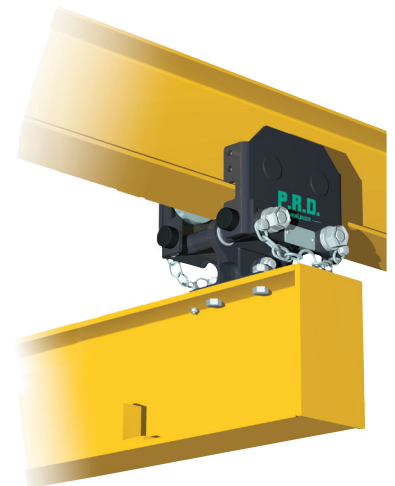


PRD

Trolleys for making hand-powered articulated rolling beams for loads of 250 to 2,000 kg



Option :
VHR hand chain block and CHD travelling trolley.



**As optional extra :
2 safety chains**

The purpose of this system is to restore the link between the trolleys and beam in the event of failure of the coupling linking the trolleys to the beam.

Span and load capacities

	1m	2m	3m	4m	5m	6m	7m	8m	9m	10m	11m	12m
> 250 kg	PRD1											
> 500 kg	PRD2											
> 1 000 kg	PRD2											PRD3
> 1 600 kg	PRD2							PRD3				
> 2 000 kg	PRD3											

PRD1 PRD2 PRD3

Technical characteristics

The ideal partner for this articulated rolling beam is a handpowered chain hoist. The PRD trolley kit consists of :

- > A pair of trolleys each fitted with four steel rollers (mounted on ball bearings).
- > 4 anti-drop rollers (in compliance with legislation).
- > A coupling consisting of a strap piece in die-stamped steel and 2 articulations, one of which is mounted on a ball and socket joint.
- > The assembly boltwork.
- > Assembly documentation.

Overall dimensions

Type	A	B	C	D	E	F	G	H	I
PRD1	55-310	76	130	222	111	119	126	20	40
PRD2	64-310	112	170	280	140	118	179	20	40
PRD3	82-310	112	170	342	171	128	179	20	40

Dimensions in mm

