

 **EXPERT** Crane Components



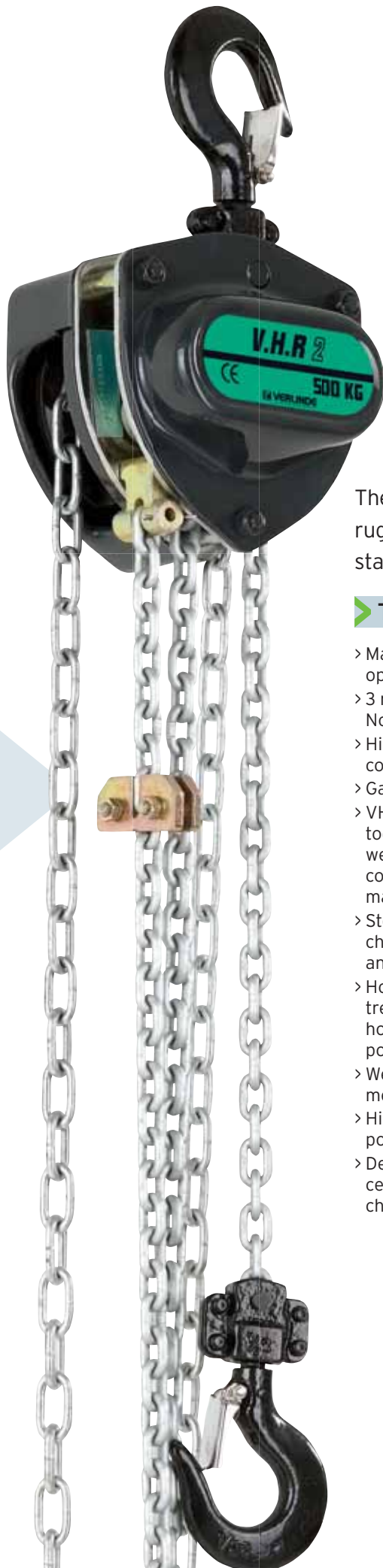
# Manual product catalog

## Manual winches and hoists

 **VERLINDE**<sup>®</sup>  
LIFTING EQUIPMENT

# VHR®

## Hand chain hoist for loads of 250 to 5,000 kg



The VHR is a compact, high-performance hand chain block with rugged good looks, tested according to official applicable standards.

### ► Technical characteristics

- > Machined chain sprocket and gears provide smoother, more efficient operation.
- > 3 meters standard lift. Hand chain is 0.5 meters less than lift chain. Non-standard lifts available.
- > High strength grade 80 alloy steel load chain with galvanized finish for corrosion resistance (comply with EN 818, safety factor 4).
- > Galvanized hand chain made in Europe.
- > VHR's compact design offers safety together with reduced weight. Ideal for construction and maintenance applications.
- > Steel casing solidly protects chain sprocket, gearcase and handwheel cover.
- > Hooks are alloy steel, heat treated and equipped with hook latches and inspection points.
- > Weston type load brake mechanism.
- > High-resistance RAL 7021 powder coating, 70 µ thick.
- > Delivered with CE certificate, and hook and chain certificate.



### VHR® HPR

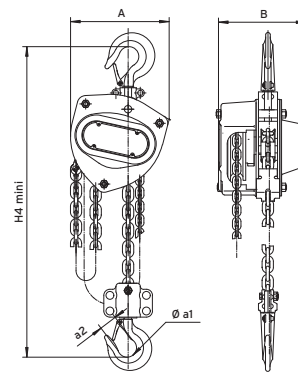
Short headroom trolley operated  
by hand wheel and chain type  
CHDD HPR

**Options**

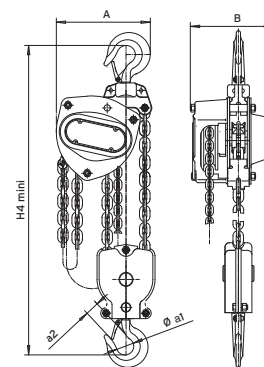
A wide range of options is available for this hand chain block :

- > VHR is stainless steel lift chain and hand chain.
- > Chain bag.
- > VHR with normal overherad trolley (HPN).
- > VHR with short headroom trolley (HPR).
- > Ex-Atex version VHR.
- > VHR Ex with short headroom trolley.
- > VHR with normal headroom trolley.

| Load     | A   | B   | Øa1 | a2 | H4 min | Chain size | Num. of falls | Pulling force (kg) | Net weight (kg) |
|----------|-----|-----|-----|----|--------|------------|---------------|--------------------|-----------------|
| 250 kg   | 121 | 114 | 31  | 21 | 280    | 4 x 12     | 1             | 25                 | 6,2             |
| 500 kg   | 148 | 132 | 35  | 23 | 345    | 5 x 15     | 1             | 35                 | 11              |
| 1,000 kg | 172 | 151 | 40  | 27 | 376    | 6 x 18     | 1             | 25                 | 12,5            |
| 1,500 kg | 196 | 173 | 45  | 33 | 442    | 7,1 x 21   | 1             | 35                 | 17,8            |
| 2,000 kg | 210 | 175 | 50  | 35 | 470    | 8 x 24     | 1             | 35                 | 19,5            |
| 3,000 kg | 255 | 205 | 55  | 39 | 548    | 10 x 28    | 1             | 40                 | 35              |
| 5,000 kg | 280 | 189 | 65  | 45 | 688    | 9 x 27     | 2             | 36                 | 41,3            |



VHR 1-fall



VHR 2-fall



**VHR**<sup>®</sup>  
Overhead travel trolley  
CHD type



# VHR<sup>®</sup>

## Sparkproof hand chain block for loads from 500 to 20,000 kg

A compact, high-performance chain block with rugged good looks, tested according to official standards.

**VHR<sup>®</sup> HPR** 

Overhung with travel trolley  
CHDD type, low-headroom handwheel and chain operation  
Sparkproof version of hand chain block and trolley



| Load      | A   | B   | Øa1 | a2 | H4 min | Chain size | Num. of falls | Pulling force (kg) | Net weight (kg) |
|-----------|-----|-----|-----|----|--------|------------|---------------|--------------------|-----------------|
| 500 kg    | 148 | 132 | 35  | 23 | 345    | 5 x 15     | 1             | 35                 | 11              |
| 1,000 kg  | 172 | 151 | 40  | 27 | 376    | 6 x 18     | 1             | 25                 | 12,5            |
| 1,500 kg  | 196 | 173 | 45  | 33 | 442    | 7,1 x 21   | 1             | 35                 | 17,8            |
| 2,000 kg  | 210 | 175 | 50  | 35 | 470    | 8 x 24     | 1             | 35                 | 19,5            |
| 3,000 kg  | 255 | 205 | 55  | 39 | 548    | 10 x 28    | 1             | 40                 | 35              |
| 5,000 kg  | 280 | 189 | 65  | 45 | 688    | 9 x 27     | 2             | 36                 | 41,3            |
| 7,500 kg  | 433 | 189 | 47  | 67 | 688    | 9 x 27     | 3             | 38                 | 62              |
| 10,000 kg | 463 | 189 | 75  | 57 | 765    | 9 x 27     | 4             | 38                 | 78,5            |
| 12,500 kg | 430 | 220 | 75  | 54 | 835    | 9 x 27     | 5             | 38,4               | 110             |
| 16,000 kg | 718 | 200 | 95  | 71 | 900    | 9 x 27     | 6             | 38,7               | 135             |
| 20,000 kg | 840 | 200 | 106 | 85 | 950    | 9 x 27     | 8             | 38,7               | 192             |

► Technical characteristics

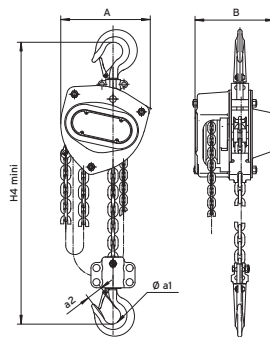
Specification identical to those for the standard version of the VHR except for the following features :

- > ATEX Marking : Ex II 2GD c IIC T4 T+135 °C.
- > Suitable for Zones 1&2 and 21 and 22 hazardous areas.
- > Overload limiter is standard equipment.
- > Stainless steel 316L hand chain.
- > Bronze coated hooks.
- > High-resistance RAL 9006 aluminum-type powder coating, 70 µ thick.
- > ISO hooks with safety latch.
- > Delivered with CE certificate, and hook and chain certificate.

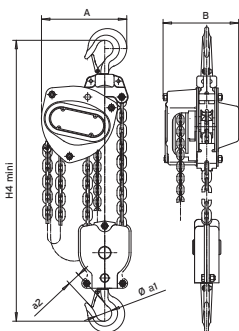
► Options

A wide range of options is available for this hand chain block :

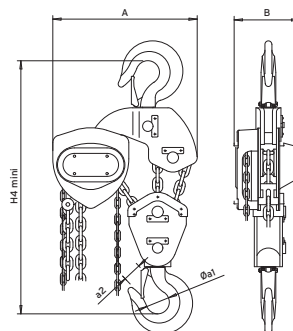
- > VHR with stainless steel load chain.
- > Chain bag.
- > VHR Ex-ATEX HPN with normal headroom.
- > VHR Ex-ATEX HPR with short headroom trolley.



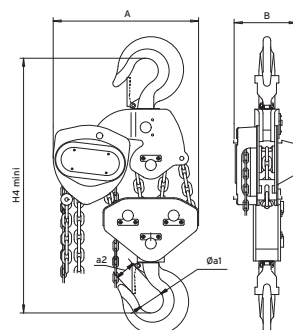
VHR 1-fall



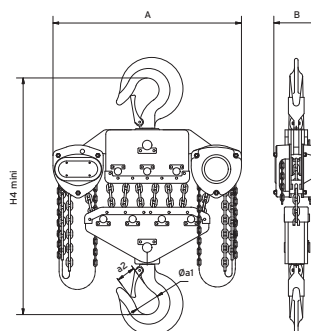
VHR 2-fall



VHR 3-fall



VHR 4-fall



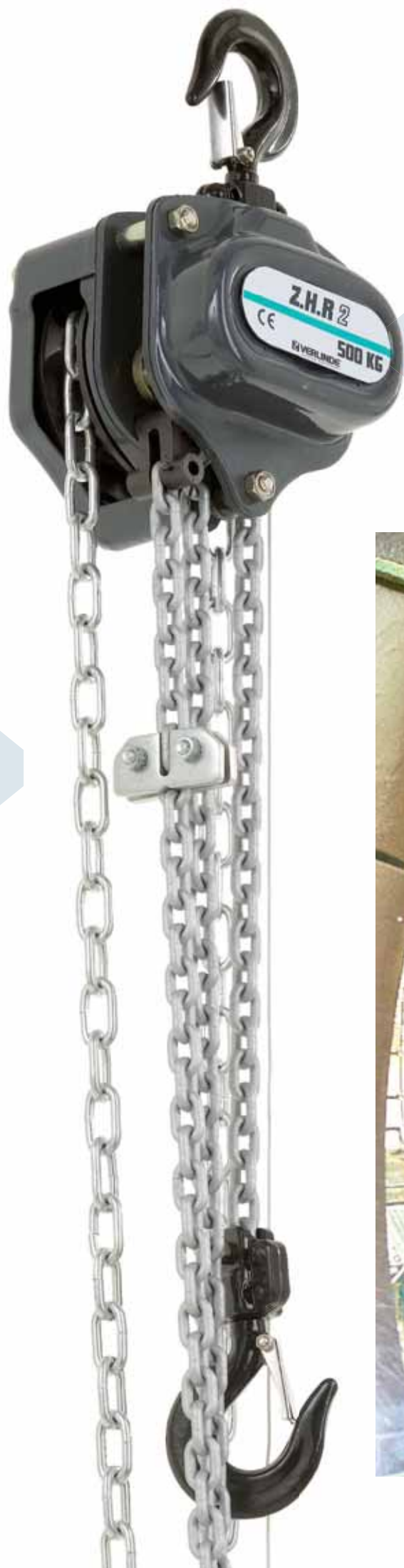
VHR 5, 6 and 8-fall

The VERLINDE Technologies Catalogue with our explosion-proof range is also available



# ZHR<sup>®</sup>

Heavy-duty  
hand chain block  
for loads from  
500 to 20,000 kg



| Load      | A   | B   | Øa1 | a2 | H4 min | Chain size | Num. of falls | Pulling force (kg) | Net weight (kg) |
|-----------|-----|-----|-----|----|--------|------------|---------------|--------------------|-----------------|
| 500 kg    | 148 | 132 | 35  | 23 | 345    | 5 x 15     | 1             | 35                 | 11              |
| 1,000 kg  | 172 | 151 | 40  | 27 | 376    | 6 x 18     | 1             | 25                 | 12,5            |
| 1,500 kg  | 196 | 173 | 45  | 33 | 442    | 7,1 x 21   | 1             | 35                 | 17,8            |
| 2,000 kg  | 210 | 175 | 50  | 35 | 470    | 8 x 24     | 1             | 35                 | 19,5            |
| 3,000 kg  | 255 | 205 | 55  | 39 | 548    | 10 x 28    | 1             | 40                 | 35              |
| 5,000 kg  | 280 | 189 | 65  | 45 | 688    | 9 x 27     | 2             | 36                 | 41,3            |
| 7,500 kg  | 433 | 189 | 47  | 67 | 688    | 9 x 27     | 3             | 38                 | 62              |
| 10,000 kg | 463 | 189 | 75  | 57 | 765    | 9 x 27     | 4             | 38                 | 78,5            |
| 12,500 kg | 430 | 220 | 75  | 54 | 835    | 9 x 27     | 5             | 38,4               | 110             |
| 16,000 kg | 718 | 200 | 95  | 71 | 900    | 9 x 27     | 6             | 38,7               | 135             |
| 20,000 kg | 840 | 200 | 106 | 85 | 950    | 9 x 27     | 8             | 38,7               | 192             |

**Technical characteristics**

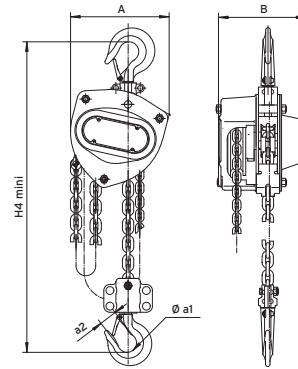
Specification identical to those for the standard version of the VHR except for the following features :

- > Overload limiter is standard equipment.
- > Four-bearing lifting mechanism.
- > High strength grade 80 alloy steel load chain with corrosion-resistant galvanized (complies with standard EN 818, safety factor 4). Made in Europe.
- > Galvanized hand chain made in Europe.
- > Upper and lower alloy steel ISO hooks with safety latches.
- > Weston-type load brakes.
- > Offshore high-resistance RAL 7021 powder coating, 220 µ thick.
- > Delivered with CE certificate, and hook and chain certificate.

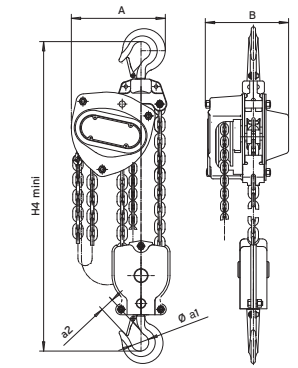
**Options**

A wide range of options is available for this hand chain block :

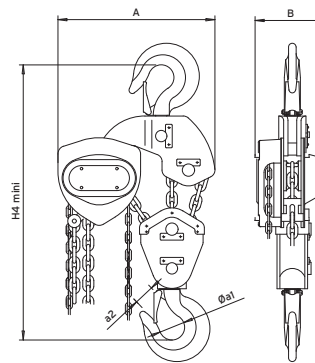
- > ZHR with stainless steel load and hand chain.
- > Chain bag.
- > ZHR HPN with normal headroom.
- > ZHR HPR with short headroom trolley.



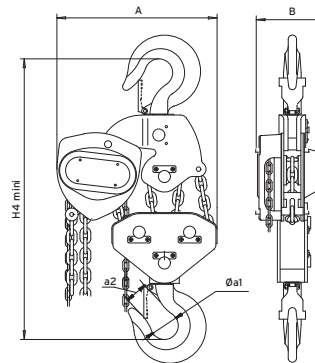
ZHR 1-fall



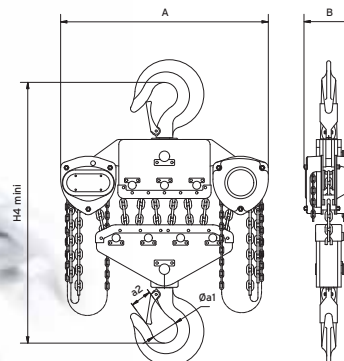
ZHR 2-fall



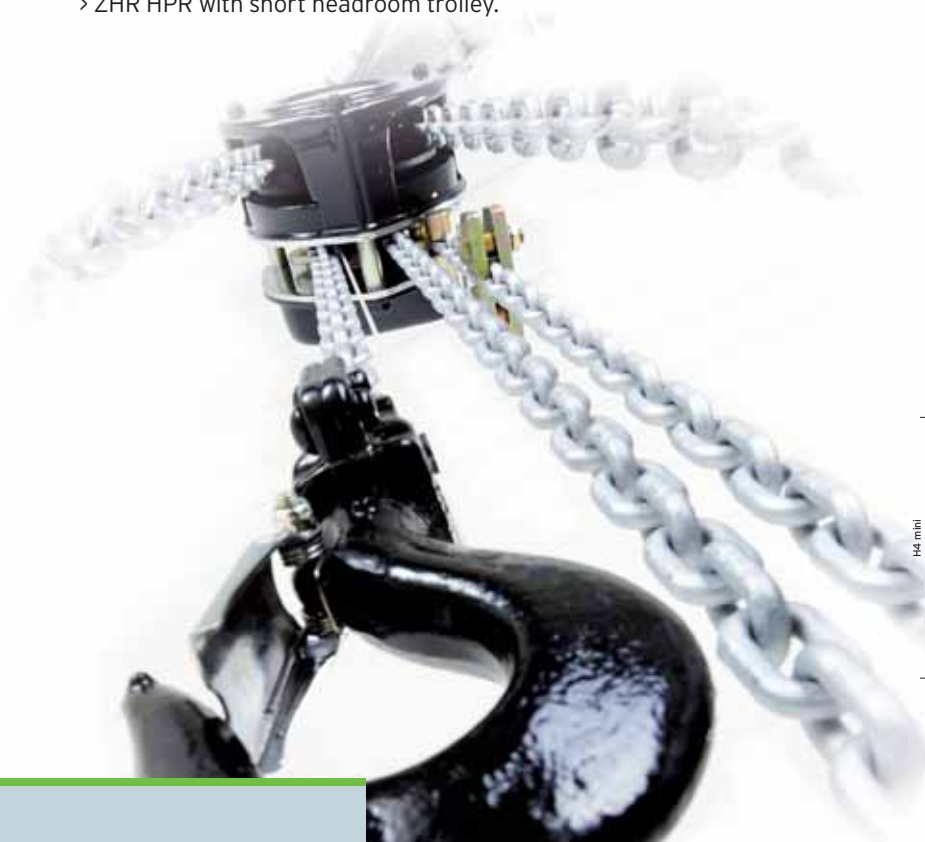
ZHR 3-fall

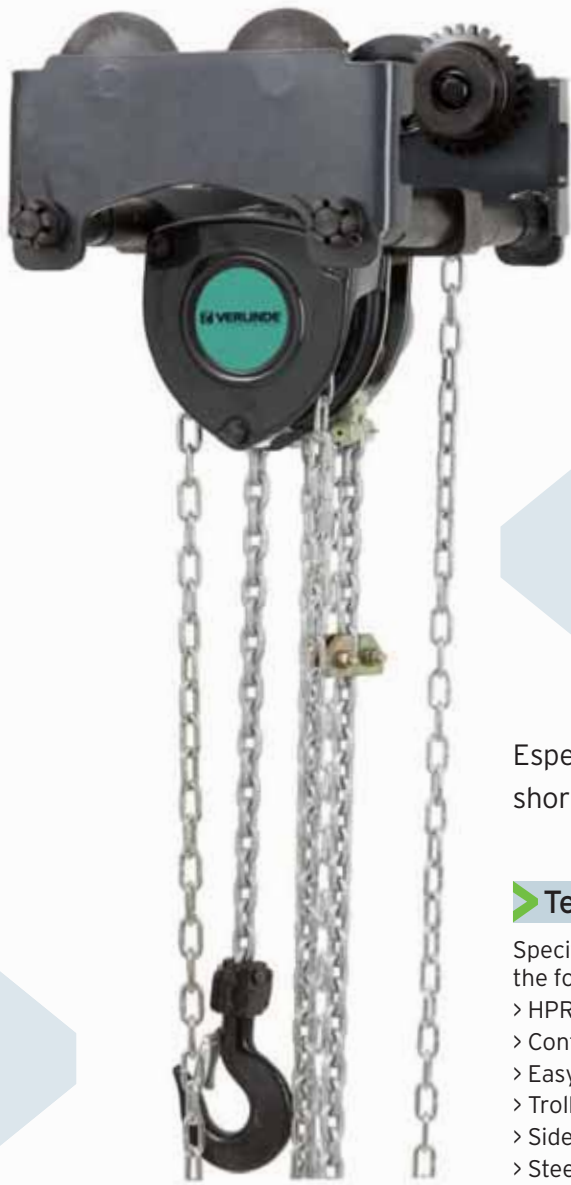


ZHR 4-fall



ZHR 5, 6 and 8-fall





# VHR-HPR® ZHR-HPR®

Low headroom version  
manual travelling trolley  
hoist for loads from  
**500 to 20,000 kg**

Especially designed for use in areas where optimal use of short headroom is essential.

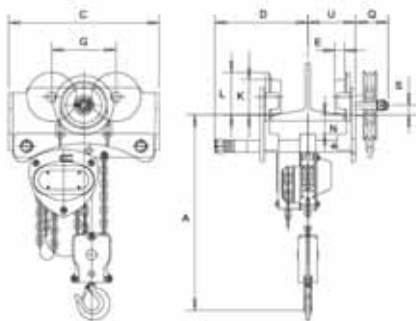
## ► Technical characteristics

Specifications of the VHR (see page 2) and of the ZHR (see page 6) plus the following features :

- > HPR CHDD for overhead VHR or ZHR manual chain block.
- > Controlled via handwheel and chain.
- > Easy to adjust for different flange widths up to 305mm.
- > Trolley body made of high-resistance steel.
- > Side plates finished with RAL 7021 dark gray coating, 70 µ thick.
- > Steel rollers machined for smooth movement.
- > Rollers compatible with all types of I and H beams.
- > Wheel ball bearings are moisture-tight and maintenance free.
- > Galvanized hand chain.
- > Fall-prevention brackets and rubber stops.
- > Loads up to 20 tons.
- > Serial number inscribed on chassis.

## ► Options

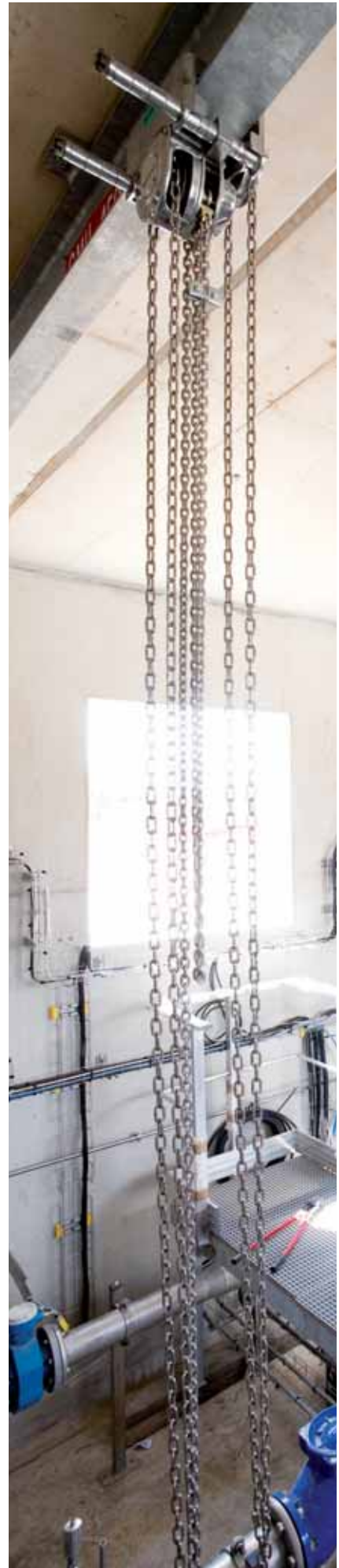
- > Ex version with ATEX Marking.
- > Stainless steel lift and hand chains.



| Load             | Range   | Num. of falls | A (mm) | C (mm) | D (mm) | E (mm) | G (mm) | K (mm) | L (mm) | N (mm) | Q (mm) | S (mm) | U (mm) | Weight w/o chain | Additional weight per m of lifting height | Pulling force (N) |
|------------------|---------|---------------|--------|--------|--------|--------|--------|--------|--------|--------|--------|--------|--------|------------------|---|-------------------|
| <b>500 kg</b>    | 50-203  | 1             | 299    | 258    | 119    | 17     | 100    | 55     | 67     | 29     | 57     | 9      | 95     | 19               | 1.6                                       | 240               |
| <b>1,000 kg</b>  | 64-305  | 1             | 331    | 292    | 150    | 18     | 125    | 68     | 82     | 37     | 57     | 18     | 125    | 37               | 2.1                                       | 265               |
| <b>1,500 kg</b>  | 74-305  | 1             | 383    | 319    | 156    | 20     | 130    | 74     | 88     | 38     | 57     | 18     | 125    | 37               | 2.1                                       | 265               |
| <b>2,000 kg</b>  | 88-305  | 1             | 410    | 358    | 159    | 22     | 135    | 80     | 94     | 38     | 57     | 18     | 129    | 50               | 2.4                                       | 335               |
| <b>3,000 kg</b>  | 100-305 | 1             | 461    | 434    | 167    | 25     | 158    | 100    | 115    | 40     | 59     | 8      | 132    | 65               | 2.5                                       | 372               |
| <b>5,000 kg</b>  | 114-305 | 2             | 655    | 448    | 177    | 34     | 170    | 108    | 126    | 42     | 59     | 25     | 138    | 91               | 4.8                                       | 360               |
| <b>7,500 kg</b>  | 124-305 | 3             | 750    | 624    | 186    | 39     | 190    | 130    | 153    | 45     | 66     | 20     | 146    | 135              | 7.2                                       | 365               |
| <b>10,000 kg</b> | 124-305 | 4             | 755    | 636    | 189    | 40     | 200    | 134    | 155    | 45     | 66     | 35     | 148    | 153              | 9.6                                       | 380               |
| <b>12,500 kg</b> | 124-305 | 5             | 830    | 668    | 191    | 43     | 200    | 150    | 170    | 50     | 66     | 26     | 150    | 242              | 12  | 420               |
| <b>16,000 kg</b> | 136-305 | 2 x 3         | 930    | 791    | 222    | 50     | 272    | 166    | 196    | 50     | 77     | 8      | 193    | 278              | 14.4                                      | 400               |
| <b>20,000 kg</b> | 136-305 | 2 x 4         | 950    | 891    | 229    | 52     | 272    | 172    | 198    | 58     | 77     | 5      | 193    | 353              | 19.2                                      | 440               |







# PLV<sup>®</sup>

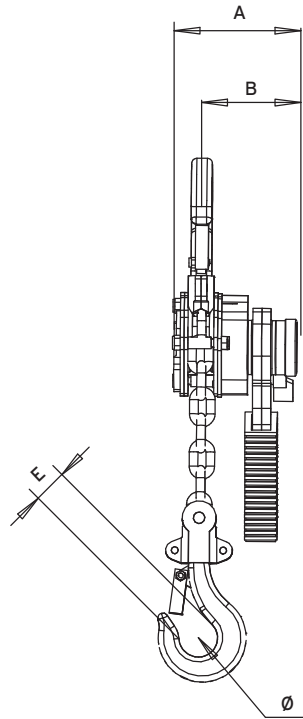
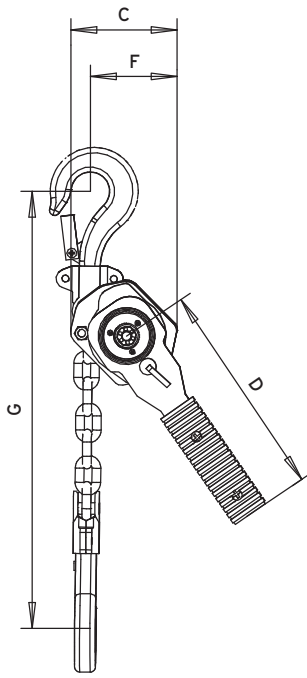
## Manual Lever Hoist for loads from 250 to 3,000 kg



The PLV manual lever hoist is a compact unit for lifting, pulling and sliding. Especially suitable for industrial use. Easy to handle, this convenient unit can be used for all sorts of jobs anywhere at the production or building. Great for tight spots where headroom is limited.

### ► Technical characteristics

- > Four good-looking, robust, compact lightweight, easy handling models.
- > PLV can be used in any position; simply switch the lever to make the PLV easier to handle.
- > Made with special steels, PLV lever hoists are very compact.
- > The lever hoist - a new concept combining good looks with reliability.
- > Chrome-plated steel hoist and lever.
- > Reinforced casing effectively protects mechanisms.
- > Lever rotates 360°.
- > Rubber grip.
- > Weston-type load brake with four braking surfaces.
- > Braking mechanism fully protected against dust and splashing.
- > Extra-safe, lightweight and low-maintenance.
- > Chain can be declutched when winch is not loaded.
- > High-strength grade 80 steel alloy chain. Galvanized for corrosion resistance.
- > Complies with EN 818, safety factor 4.
- > Made in Europe.
- > Delivered with CE certificate, and hook and chain certificate.
- > Treated steel alloy upper and lower ISO turning hooks with safety latches and inspection points.



| Capacity | A   | B   | C   | D   | E  | F   | G   | Ø  | Lifting height (m) | Num. of falls | Chain diam. (mm) | Weight (kg) |
|----------|-----|-----|-----|-----|----|-----|-----|----|--------------------|---------------|------------------|-------------|
| 250 kg   | 92  | 71  | 70  | 168 | 20 | 50  | 245 | 31 | 1                  | 1             | 4                | 2,1         |
| 750 kg   | 149 | 89  | 128 | 308 | 26 | 85  | 310 | 37 | 1                  | 1             | 6                | 6,2         |
| 1,500 kg | 171 | 102 | 145 | 408 | 36 | 130 | 385 | 45 | 1,5                | 1             | 7                | 9,5         |
| 3,000 kg | 204 | 114 | 203 | 418 | 44 | 150 | 460 | 55 | 1,5                | 1             | 10               | 20,2        |



► Treated steel alloy upper and lower ISO turning hooks with safety latches and inspection points.

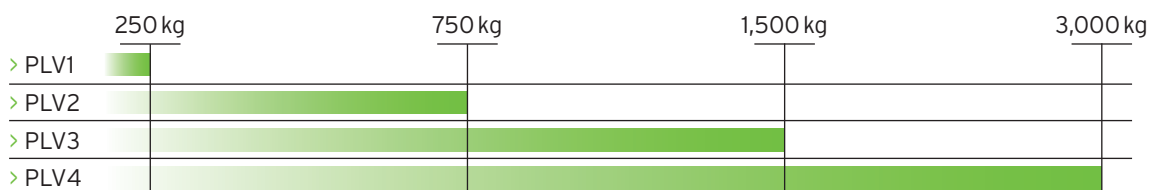


► Chain can be declutched when winch is not loaded.



► Lever can rotate 360°. Rubber grip.

### ► Load Capacity



# TLV<sup>®</sup>

## Manual Lever Winch for loads from 800 to 3,200 kg

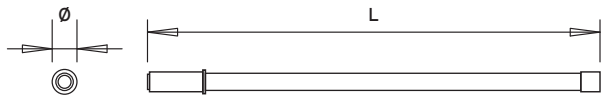
The TLV lever winch is designed for lifting and pulling loads over long distances.

### ► Technical characteristics

- > Designed for lifting and pulling loads over long distances.
- > Built with high resistance aluminum, making it light and easy to handle.
- > Heavy duty tool suitable for tough working conditions.
- > Low maintenance make it suitable for outdoor work.
- > Delivered with a 20m / 40m rope.
- > Delivered with CE certificate, and hook and chain certificate.

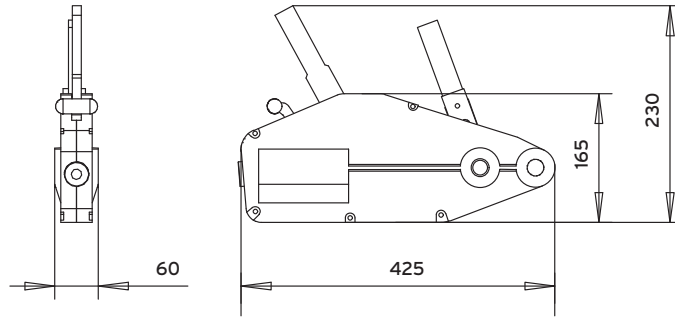
### ► Load Capacity



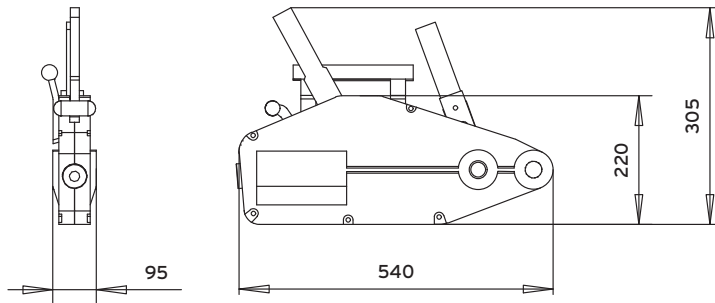


| Type | S.W.L (kg) | Diameter (mm) | L (mm) | L bent (mm) |
|------|------------|---------------|--------|-------------|
| TC08 | 800        | 32            | 790    | -           |
| TC16 | 1600       | 34            | 1121   | 85          |
| TC32 | 3200       | 34            | 1121   | 85          |

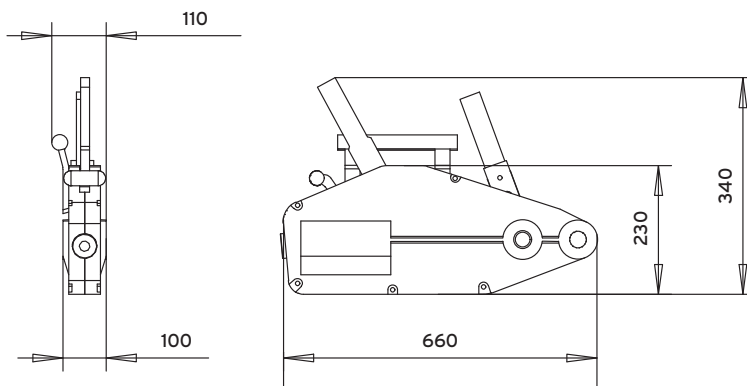
TLV lever



TC08



TC16



TC32

| Type | S.W.L (kg) | Lever length (mm) | Effort on lever (kg) | Rope dis. (mm) | Rope length (m) | Breaking load (kg) | Dimensions (mm) | Net weight (kg) |
|------|------------|-------------------|----------------------|----------------|-----------------|--------------------|-----------------|-----------------|
| TC08 | 800        | 800               | 28,5                 | 8              | 20              | 4800               | 425 x 60 x 230  | 6               |
| TC16 | 1600       | 1120              | 41                   | 11             | 20              | 9600               | 540 x 95 x 305  | 11              |
| TC32 | 3200       | 1120              | 44                   | 16             | 20              | 19200              | 660 x 110 x 340 | 22              |



# ME & MV

Endless screw winch  
and geared winch  
150 to 3,000 kg



ME type winch.

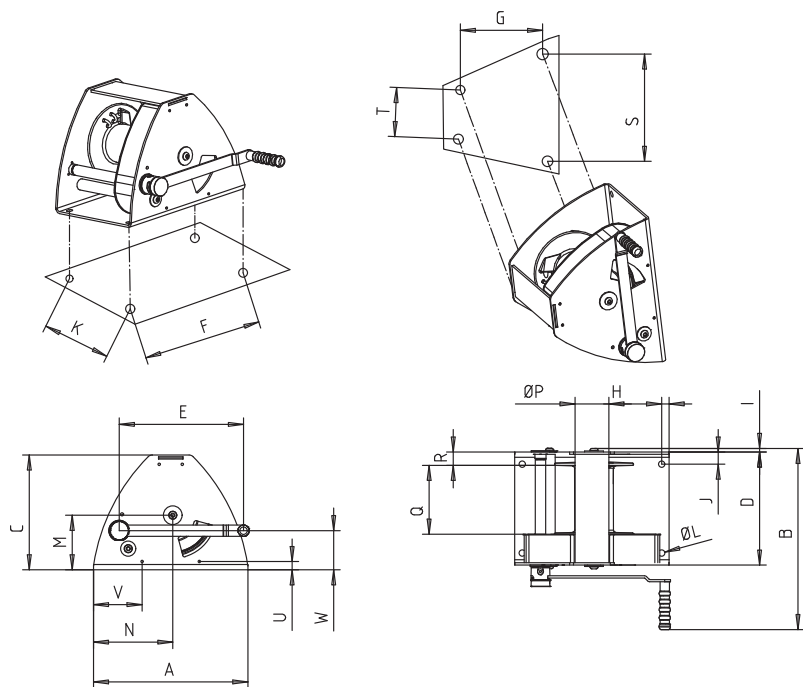


MV type winch.

## ► Technical characteristics

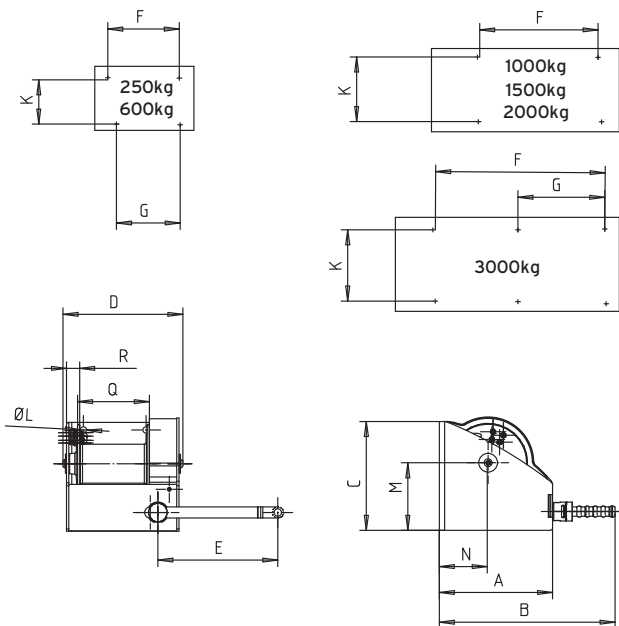
- > Encased mechanism.
- > Automatic brake.
- > Adjustable removable crank.
- > Can be attached horizontally or vertically (depending on model).
- > Very robust thanks to exceptionally sturdy chassis.
- > Mechanical parts protected with cataphoretic coating.
- > Can be declutched only when unloaded; safety system prevents declutching when loaded.

| Type of Winch                | ME1              | ME2  | ME3 | ME4   | ME5   | MV1 | MV2 | MV3   | MV4   | MV5   | MV6   |
|------------------------------|------------------|------|-----|-------|-------|-----|-----|-------|-------|-------|-------|
| 1st level load capacity (kg) | 150              | 300  | 500 | 1,000 | 2,000 | 250 | 500 | 1,000 | 1,500 | 2,000 | 3,000 |
| Total rolling capacity (m)   | 19               | 38   | 17  | 30    | 25    | 15  | 17  | 30    | 23    | 17    | 10    |
| Max. number of layers        | 6                | 6    | 4   | 4     | 3     | 4   | 4   | 4     | 3     | 2     | 1     |
| Crank force required (daN)   | 20               | 12,5 | 19  | 14,5  | 16,5  | 11  | 14  | 14    | 14    | 14,5  | 16    |
| Weight without cable (kg)    | 5,6              | 15   | 15  | 44    | 83    | 7,5 | 12  | 37,5  | 45    | 70    | 120   |
| Max and min use temperature  | - 20°C to + 40°C |      |     |       |       |     |     |       |       |       |       |



ME Type

| Capacity | A   | B   | C   | D   | E   | F   | G   | H  | I  | J  | K   | ØL   | M   | N   | ØP  | Q   | R  | S   | T  | U  | V  | W   | X   |
|----------|-----|-----|-----|-----|-----|-----|-----|----|----|----|-----|------|-----|-----|-----|-----|----|-----|----|----|----|-----|-----|
| 150 kg   | 180 | 325 | 147 | 157 | 340 | 154 | 100 | 13 | 4  | 22 | 114 | 809  | 73  | 90  | 40  | 77  | 24 | 132 | 48 | 31 | 24 | 73  | 90  |
| 300 kg   | 249 | 400 | 190 | 217 | 240 | 200 | 145 | 18 | 8  | 37 | 144 | 8013 | 95  | 120 | 62  | 124 | 25 | 184 | 76 | 25 | 33 | 58  | 51  |
| 500 kg   | 249 | 400 | 190 | 217 | 240 | 200 | 145 | 18 | 8  | 37 | 144 | 8013 | 95  | 120 | 62  | 124 | 25 | 184 | 76 | 25 | 33 | 58  | 51  |
| 1,000 kg | 410 | 485 | 305 | 300 | 340 | 370 | -   | 20 | 10 | 32 | 236 | 4017 | 145 | 200 | 103 | 180 | 35 | -   | -  | -  | -  | 104 | 68  |
| 2,000 kg | 510 | 585 | 360 | 400 | 340 | 440 | -   | 35 | 11 | 38 | 325 | 4021 | 151 | 187 | 118 | 248 | 47 | -   | -  | -  | -  | 267 | 191 |



MV Type

| Capacity | A   | B   | C   | D   | E   | F   | G   | H  | J   | K    | ØL   | M   | N   | ØP  | Q   | R   |
|----------|-----|-----|-----|-----|-----|-----|-----|----|-----|------|------|-----|-----|-----|-----|-----|
| 250 kg   | 150 | 330 | 150 | 200 | 250 | 137 | 100 | 25 | 15  | 118  | 4011 | 89  | 75  | 60  | 100 | 24  |
| 500 kg   | 180 | 360 | 180 | 260 | 250 | 182 | 130 | 32 | 18  | 142  | 4013 | 109 | 90  | 70  | 145 | 30  |
| 1,000 kg | 300 | 490 | 300 | 300 | 340 | 167 | -   | 32 | 21  | 250  | 4017 | 180 | 146 | 101 | 176 | 30  |
| 1,500 kg | 300 | 490 | 300 | 300 | 340 | 167 | -   | 32 | 21  | 250  | 4017 | 180 | 146 | 101 | 176 | 30  |
| 2,000 kg | 345 | 540 | 345 | 405 | 340 | 160 | -   | 40 | 25  | 295  | 4021 | 222 | 168 | 121 | 275 | 40  |
| 3,000 kg | 525 | 700 | 460 | 510 | 340 | 390 | 70  | 40 | 380 | 6025 | 325  | 173 | 168 | 300 | 55  | 248 |



> ME type mechanism

Gears have passed every type of breakage and endurance test. Sprockets are machined to hold grease. Ratchet brake with stainless steel spring has been proven the best system for this type of equipment.



> Releasable drum

Except on 250kg model, MV winches feature a drum that can be disengaged with a small, easily accessible lever. A safety mechanism prevents any declutching when the winch is loaded.



> Adjustment knob

Conveniently captive knob adjusts crank tightness. Cannot get lost.



> MV type mechanism

Wheel and worm gear have Gears have passed every type of breakage and endurance test for maximum reliability. Sprockets are machined to hold grease. Ratchet brake with stainless steel spring has been proven the best system for this type of equipment.

