

# CHZ<sup>®</sup> INOX

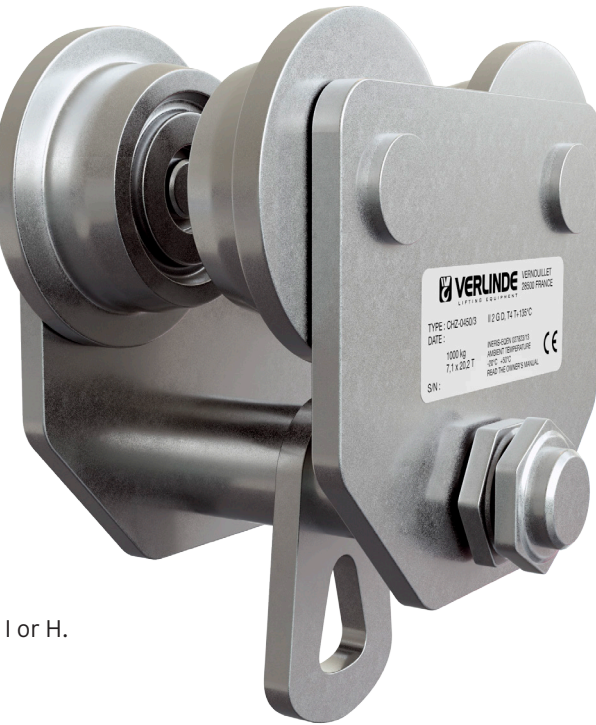
## Stainless steel trolley for loads from 500 to 1,000 kg

### ► Technical characteristics

- › CHZ INOX trolley totally Stainless steel : End plate, suspension beam, load wheel.
- › The CHZ INOX trolley may be used with any type of manual lifting equipment fitted with a hook.
- › Push travel trolley.
- › Stainless steel load wheel made on machine center for smooth motion.
- › Stainless steel load wheel compatible with all type of profile I or H.
- › Bearing are dust protected and maintenance free.
- › Serial number on plate fixed on the frame.
- › CE certificate.
- › Surface Treatment : Electrolytic Polishing.

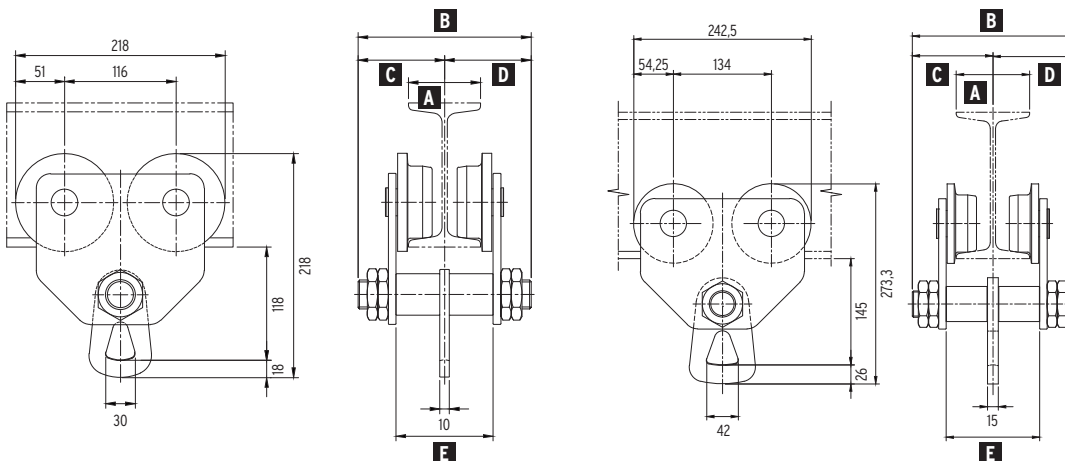
### ► Options

- › ZHV INOX hand chain block.
- › Setting of beam width.



### ► Material list

- › Plate and Toller : SUS304.
- › Bearing : SUS420.
- › Name Plate : SUS316.



**CHZ<sup>®</sup>**  
500 kg

**CHZ<sup>®</sup>**  
1000 kg

| Load (kg) | Dimensions in mm |     |       |       |     | Min. distance from hook to traversing beam (mm) | Beam width (mm) | Min Radius (mm) | Weight (kg) |
|-----------|------------------|-----|-------|-------|-----|---|-----------------|-----------------|-------------|
|           | A                | B   | C     | D     | E   |   |                 |                 |             |
| 500       | 75               | 180 | 90    | 90    | 101 | 118   | 64              | 1200            | 10,5        |
|           | 100              | 205 | 102,5 | 102,5 | 126 | 118   | 64              | 1200            | 10,5        |
|           | 125              | 230 | 115   | 115   | 151 | 118   | 64              | 1200            | 10,5        |
| 1000      | 100              | 220 | 110   | 110   | 128 | 145   | 82              | 1300            | 15,8        |
|           | 125              | 245 | 122,5 | 122,5 | 153 | 145   | 82              | 1300            | 15,8        |
|           | 150              | 270 | 135   | 135   | 178 | 145   | 82              | 1300            | 15,8        |

