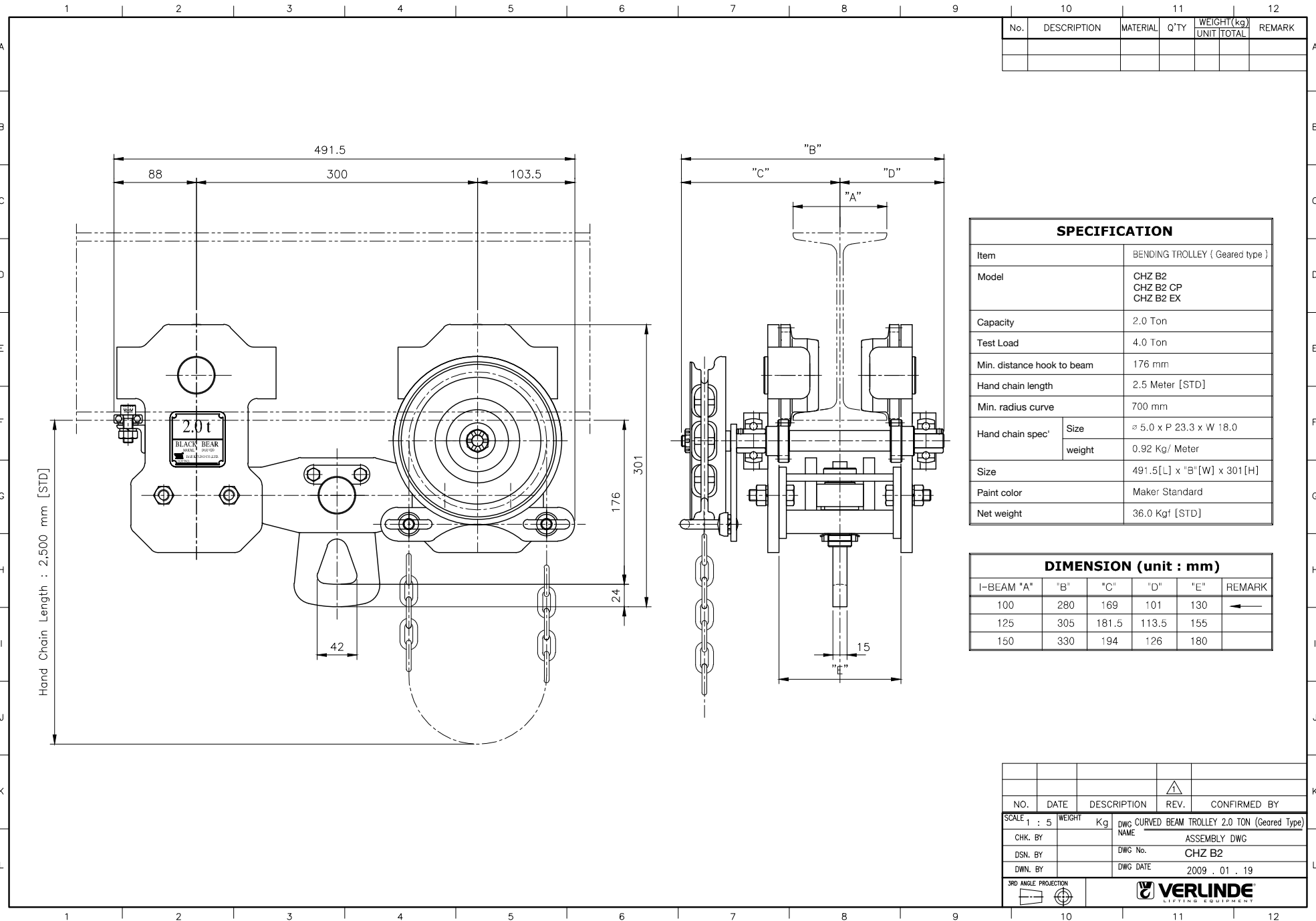


No.	DESCRIPTION	MATERIAL	Q'TY	WEIGHT(kg)		REMARK
				UNIT	TOTAL	

SPECIFICATION	
Item	BENDING TROLLEY ( Geared type )
Model	CHZ B1 CHZ B1 CP CHZ B1 EX
Capacity	1.0 Ton
Test Load	2.0 Ton
Min. distance hook to beam	142 mm
Hand chain length	2.5 Meter [STD]
Min. radius curve	600 mm
Hand chain spec'	Size
	weight
Size	465[L] x "B"[W] x 256[H]
Paint color	Maker Standard
Net weight	25.0 Kgf [STD]

DIMENSION (unit : mm)						
I-BEAM "A"	"B"	"C"	"D"	"E"	REMARK	
75	245	149	96	103	←	
80	250	151.5	98.5	108		
100	270	161.5	108.5	128		
125	295	174	121	153		

NO.	DATE	DESCRIPTION	REV.	CONFIRMED BY	
SCALE 1 : 5	WEIGHT	Kg	DWC CURVED BEAM TROLLEY 1.0 TON (Geared Type)		
CHK. BY	NAME ASSEMBLY DWG				
DSN. BY	DWG No. CHZ B1				
DWN. BY	DWG DATE 2009 . 01 . 19				
3RD ANGLE PROJECTION		<b>VERLINDE</b> LIFTING EQUIPMENT			



No.	DESCRIPTION	MATERIAL	Q'TY	WEIGHT(kg)		REMARK
				UNIT	TOTAL	

SPECIFICATION	
Item	BENDING TROLLEY ( Geared type )
Model	CHZ B2 CHZ B2 CP CHZ B2 EX
Capacity	2.0 Ton
Test Load	4.0 Ton
Min. distance hook to beam	176 mm
Hand chain length	2.5 Meter [STD]
Min. radius curve	700 mm
Hand chain spec'	Size $\varnothing$ 5.0 x P 23.3 x W 18.0
	weight 0.92 Kg/ Meter
Size	491.5[L] x "B"[W] x 301[H]
Paint color	Maker Standard
Net weight	36.0 Kgf [STD]

DIMENSION (unit : mm)					
I-BEAM "A"	"B"	"C"	"D"	"E"	REMARK
100	280	169	101	130	←
125	305	181.5	113.5	155	
150	330	194	126	180	

NO.	DATE	DESCRIPTION	REV.	CONFIRMED BY

SCALE 1 : 5 | WEIGHT Kg | dwg CURVED BEAM TROLLEY 2.0 TON (Geared Type)

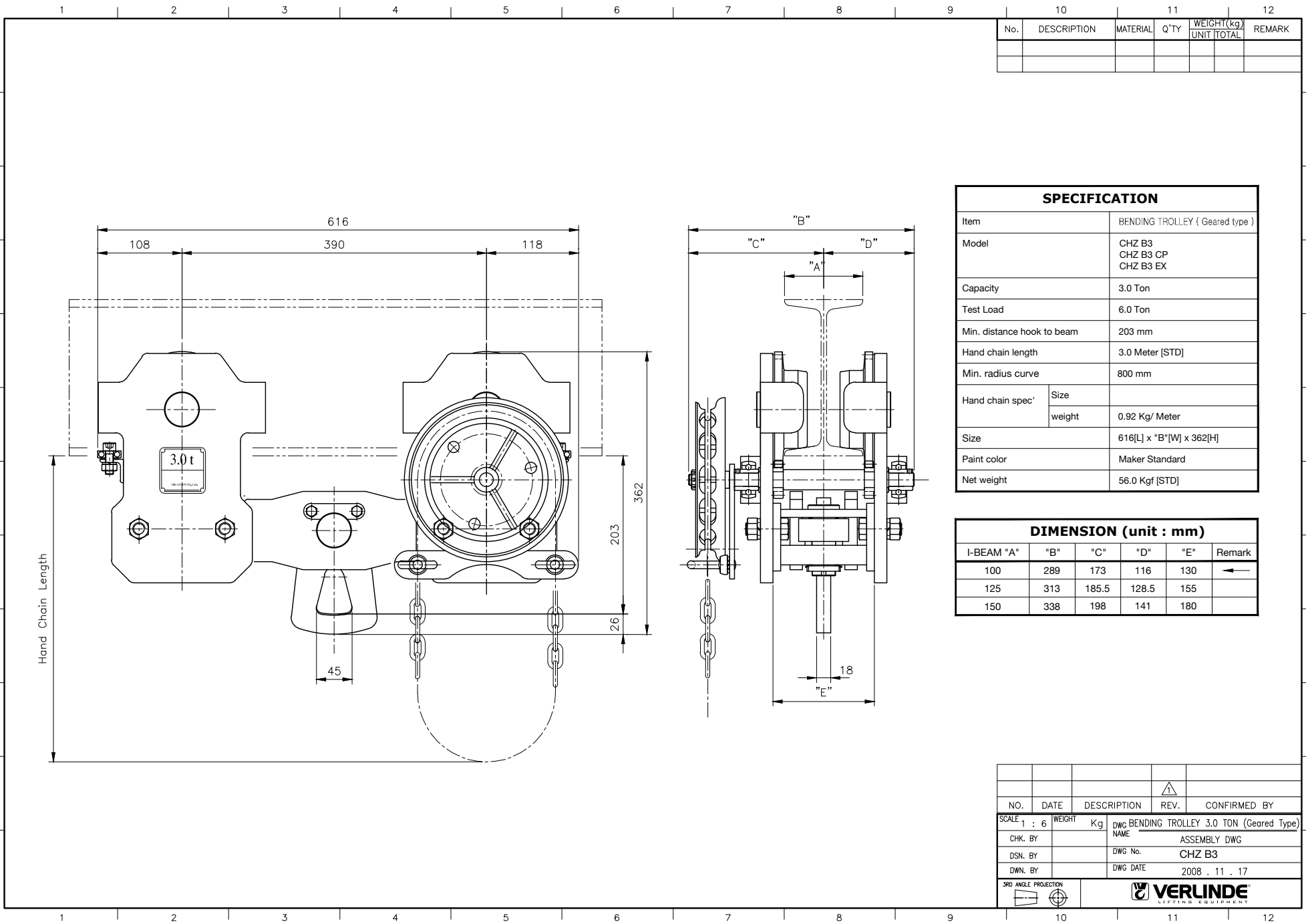
CHK. BY | NAME ASSEMBLY DWG

DSN. BY | DWG No. CHZ B2

DWN. BY | DWG DATE 2009 . 01 . 19

3RD ANGLE PROJECTION

**VERLINDE**  
LIFTING EQUIPMENT

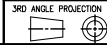


No.	DESCRIPTION	MATERIAL	Q'TY	WEIGHT(kg)		REMARK
				UNIT	TOTAL	

SPECIFICATION	
Item	BENDING TROLLEY ( Geared type )
Model	CHZ B3 CHZ B3 CP CHZ B3 EX
Capacity	3.0 Ton
Test Load	6.0 Ton
Min. distance hook to beam	203 mm
Hand chain length	3.0 Meter [STD]
Min. radius curve	800 mm
Hand chain spec'	Size
	weight
Size	616[L] x " B "[W] x 362[H]
Paint color	Maker Standard
Net weight	56.0 Kgf [STD]

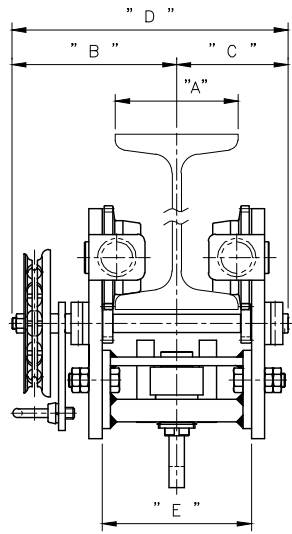
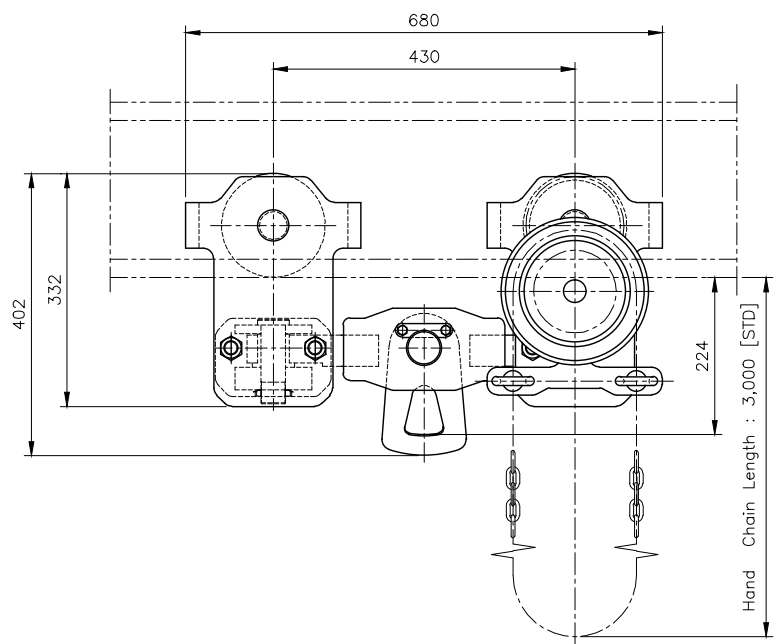
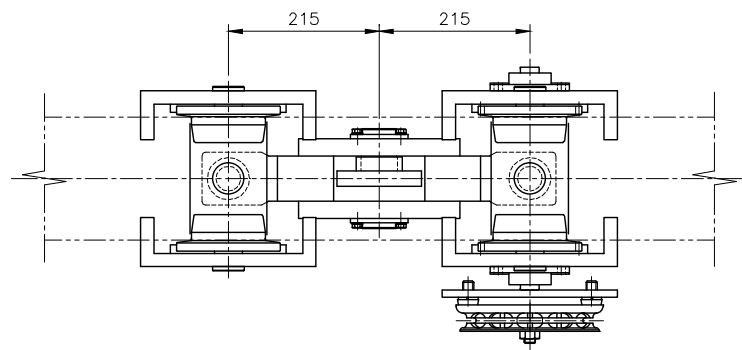
DIMENSION (unit : mm)						
I-BEAM "A"	"B"	"C"	"D"	"E"	Remark	
100	289	173	116	130	←	
125	313	185.5	128.5	155		
150	338	198	141	180		

NO.	DATE	DESCRIPTION	REV.	CONFIRMED BY
SCALE	1 : 6	WEIGHT	Kg	DWG BENDING TROLLEY 3.0 TON (Geared Type)
CHK. BY				ASSEMBLY DWG
DSN. BY		DWG No.		CHZ B3
DWN. BY		DWG DATE		2008 . 11 . 17



1 2 3 4 5 6 7 8 9 10 11 12

No.	DESCRIPTION	MATERIAL	Q'TY	WEIGHT (kg)	REMARK
				UNIT	TOTAL

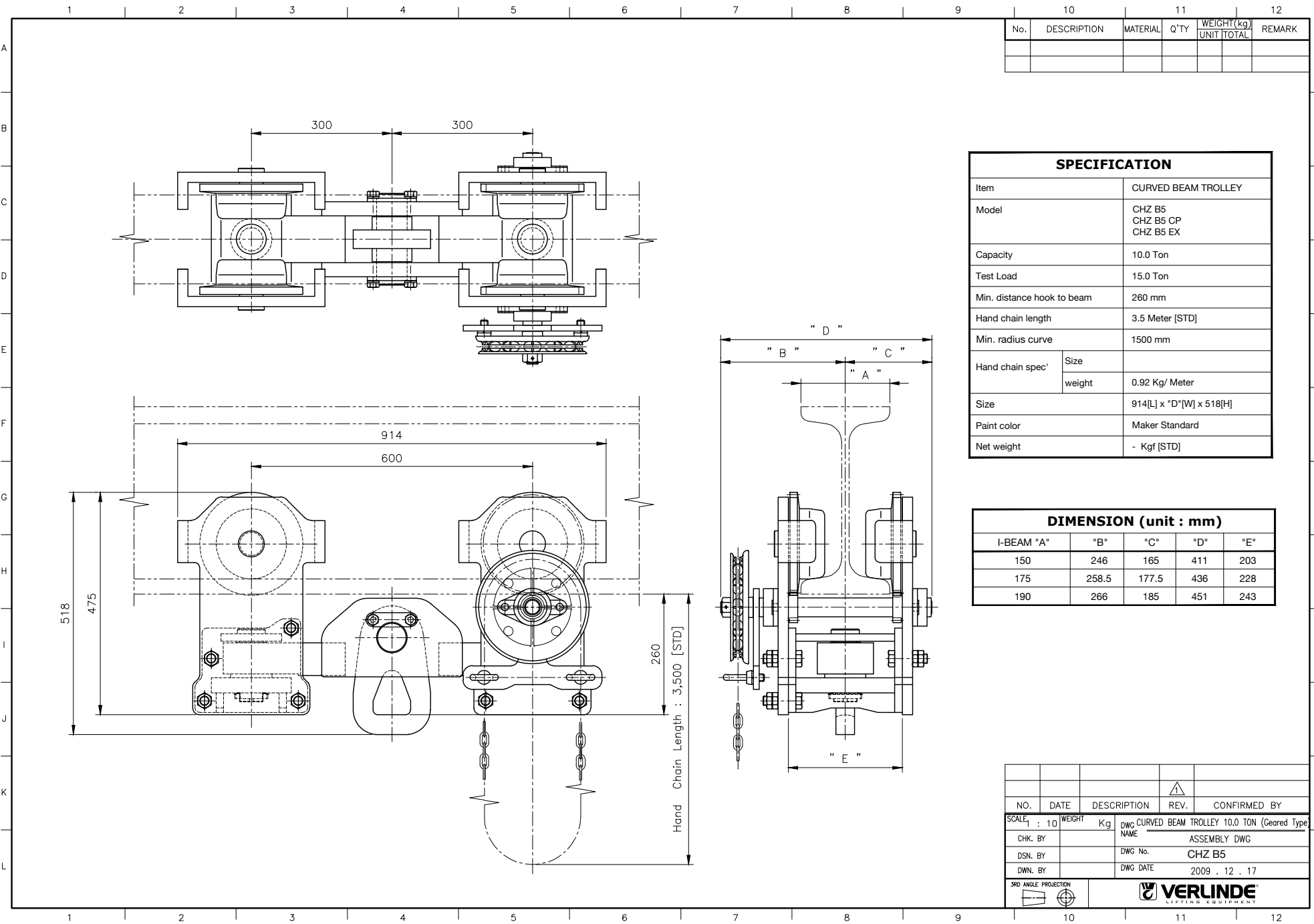


SPECIFICATION	
Item	CURVED BEAM TROLLEY
Model	CHZ B4 CHZ B4 CP CHZ B4 EX
Capacity	5.0 Ton
Test Load	7.5 Ton
Min. distance hook to beam	224 mm
Hand chain length	3.0 Meter [STD]
Min. radius curve	1200 mm
Hand chain spec'	Size
	weight
Size	680[L] x "D"[W] x 402[H]
Paint color	Maker Standard
Net weight	- Kgf [STD]

DIMENSION (unit : mm)				
I-BEAM "A"	"B"	"C"	"D"	"E"
125	210	134	344	163
150	222.5	146.5	369	188
175	235	159	394	213

				⚠	
NO.	DATE	DESCRIPTION	REV.	CONFIRMED BY	
SCALE : 1:10	WEIGHT	Kg	DWG CURVED BEAM TROLLEY 5.0 TON (Geared Type)		
CHK. BY	NAME		ASSEMBLY DWG		
DSN. BY	DWG No.		CHZ B4		
DWN. BY	DWG DATE		2010 . 1 . 27		
3RD ANGLE PROJECTION		<b>VERLINDE</b> LIFTING EQUIPMENT			

1 2 3 4 5 6 7 8 9 10 11 12



No.	DESCRIPTION	MATERIAL	Q'TY	WEIGHT (kg)	REMARK

SPECIFICATION	
Item	CURVED BEAM TROLLEY
Model	CHZ B5 CHZ B5 CP CHZ B5 EX
Capacity	10.0 Ton
Test Load	15.0 Ton
Min. distance hook to beam	260 mm
Hand chain length	3.5 Meter [STD]
Min. radius curve	1500 mm
Hand chain spec'	Size
	weight
Size	914[L] x "D"[W] x 518[H]
Paint color	Maker Standard
Net weight	- Kgf [STD]

DIMENSION (unit : mm)				
I-BEAM "A"	"B"	"C"	"D"	"E"
150	246	165	411	203
175	258.5	177.5	436	228
190	266	185	451	243

NO.	DATE	DESCRIPTION	REV.	CONFIRMED BY
SCALE	1 : 10	WEIGHT	Kg	
CHK. BY		DWG NAME	CURVED BEAM TROLLEY 10.0 TON (Geared Type)	
DSN. BY		ASSEMBLY DWG		
DWN. BY		DWG No.	CHZ B5	
		DWG DATE	2009 . 12 . 17	

