

SPARE PARTS VX02 – Since June 2019

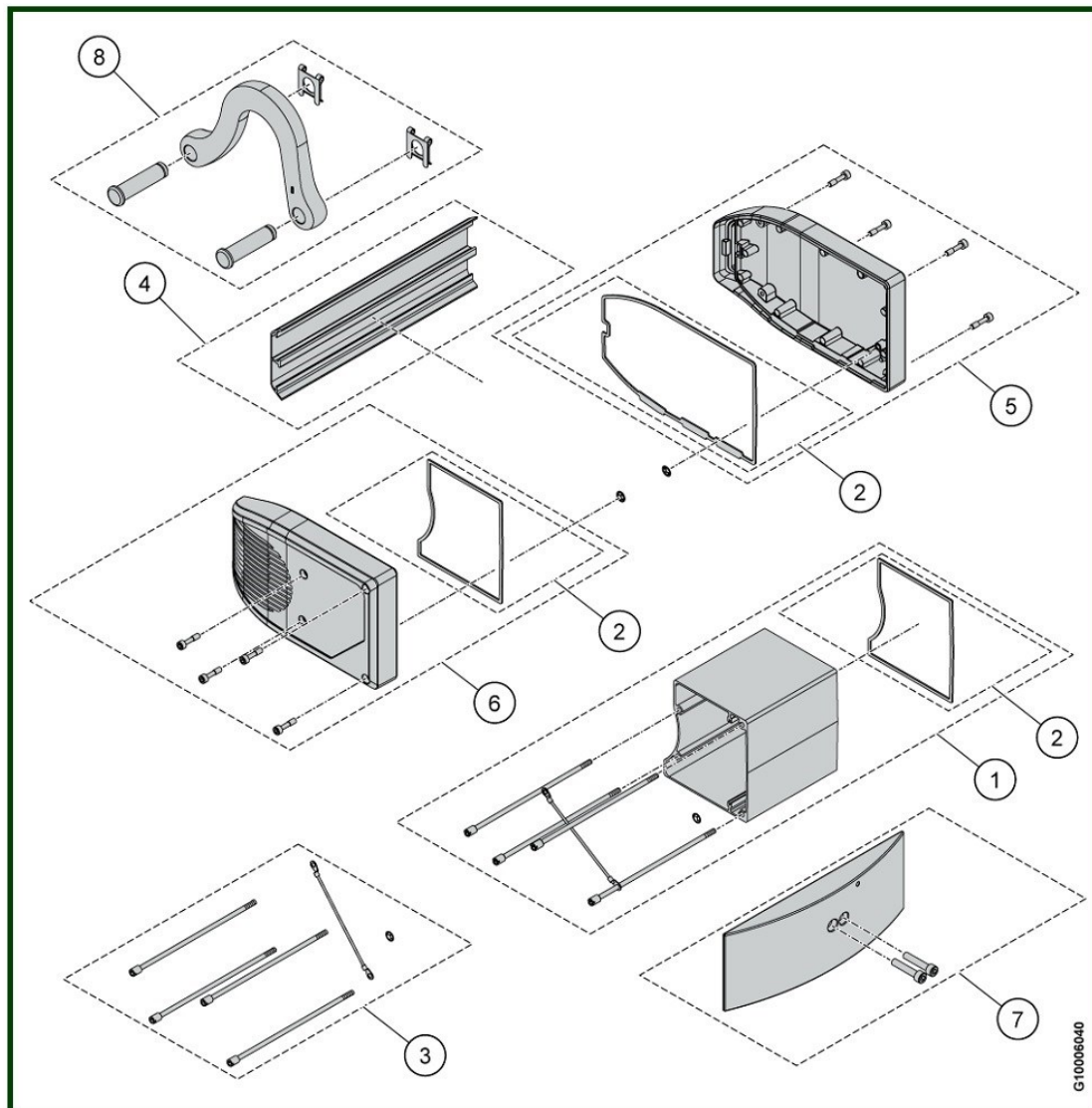
To avoid errors, when ordering please specify:

- Complete type of hoist
- Date of manufacture and serial number
- Spare part code
- Spare part designation
- Additional information



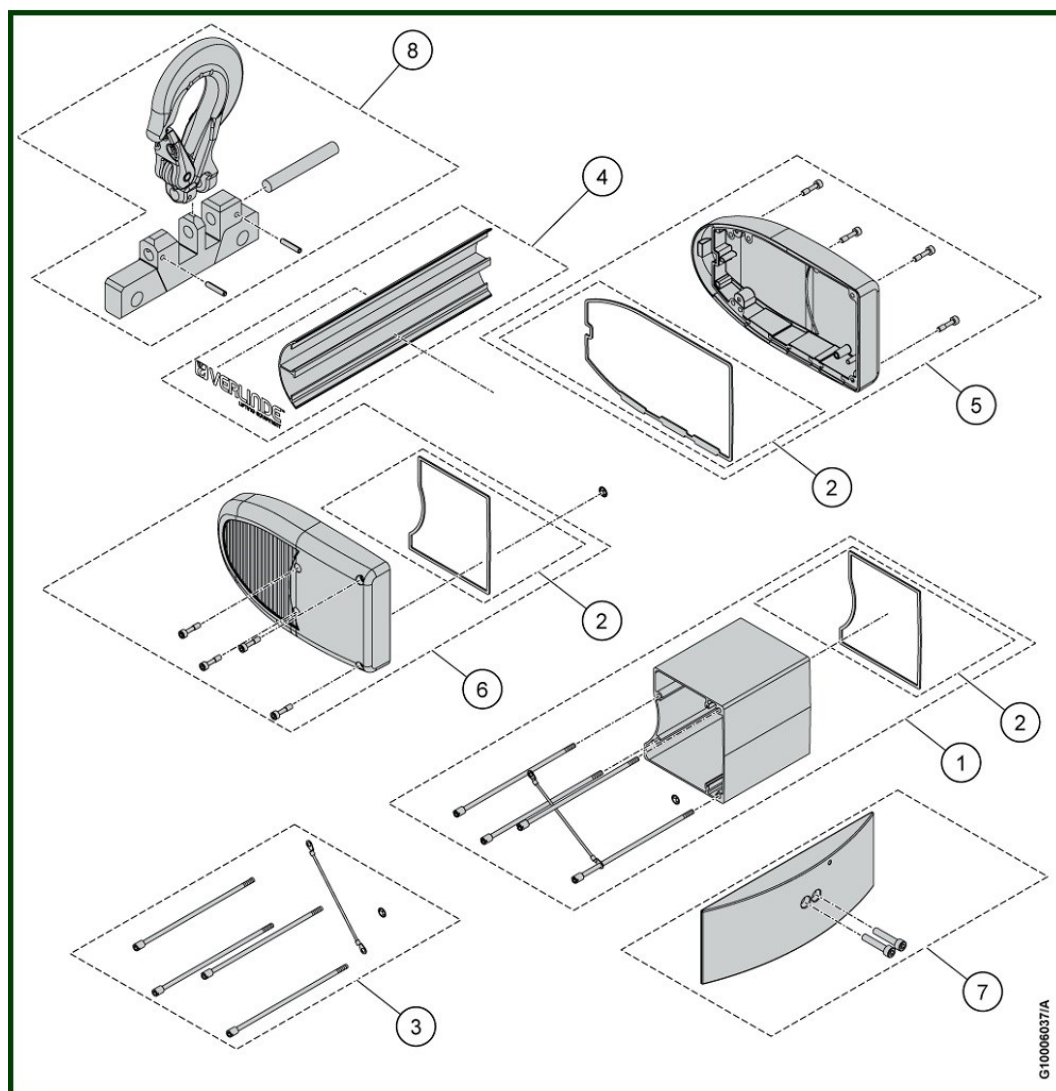
1. FRAME.....	3
1.1. Standard suspension.....	4
1.2. Foldable hook.....	5
1.3. Manual trolley.....	6
1.4. Electric trolley	7
2. CHAIN GUIDE	8
2.1. Stainless steel hook – 1 fall.....	9
2.2. Standard hook - 1 fall.....	11
2.3. Standard hook - 2 falls	13
2.4. Automatic hook - 1 fall.....	15
2.5. Automatic hook - 2 falls	17
3. GEAR	19
3.1. Gear – Options	21
4. MOTOR.....	22
5. ELECTRICAL PARTS	24
5.1. Solo equipment - Standard	24
6. PUSH BUTTONS.....	28
6.1. 2 buttons.....	29
6.2. 4 buttons.....	31
6.3. 6 buttons.....	33
6.4. 2 and 4 buttons - ERGOMOVE – From September 2014	34
6.5. 6 buttons ERGOMOVE – From September 2014	36
6.6. 10 buttons ERGOMOVE – From September 2014	38
6.7. 10 buttons ERGOMOVE – Option pendant label	40
7. CHARIOT CHVX10.....	42

1.1. Standard suspension



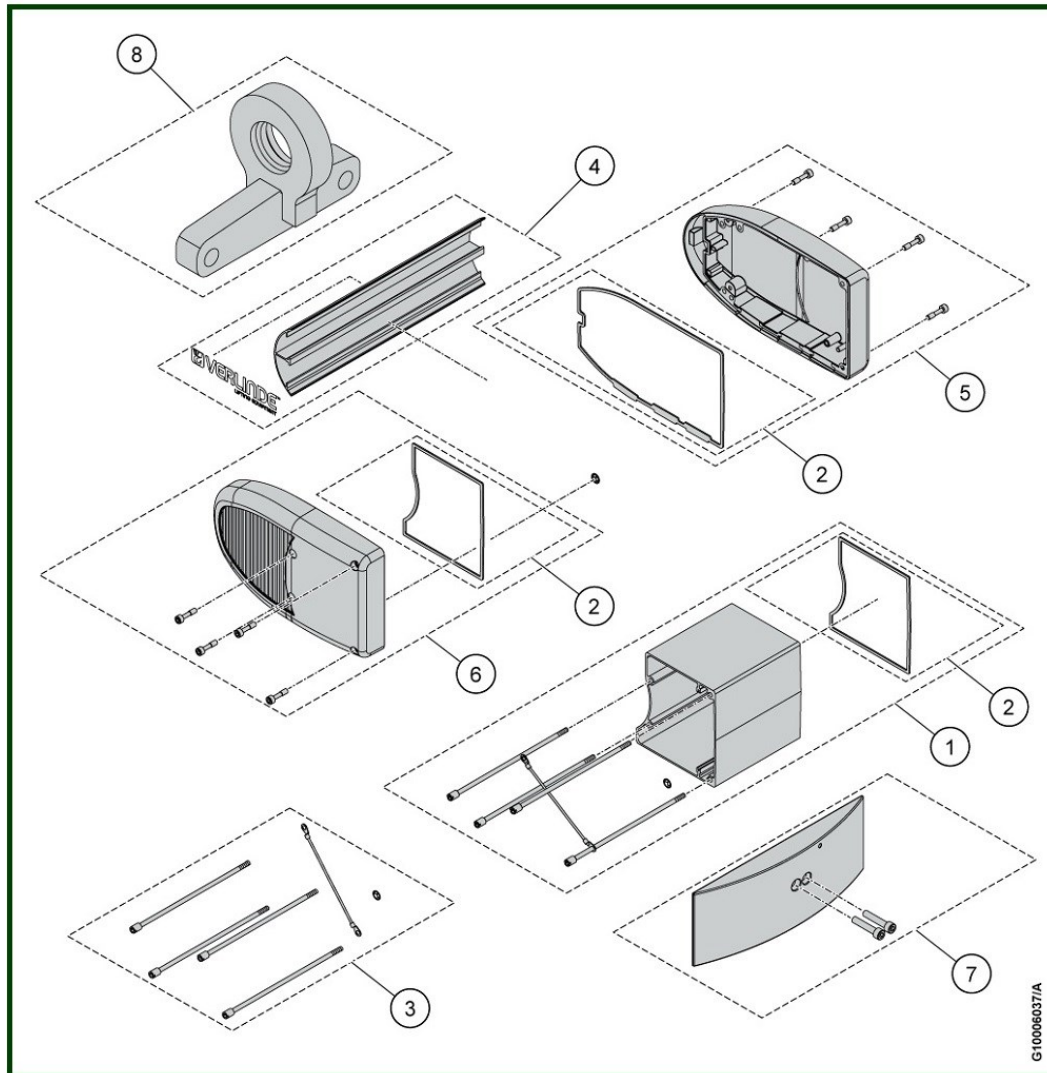
Element	Reference	Description	Observation	Quantity
1	VT0012588	Housing module		1
2	VT0012589	Sealing set		1
3	VT0012590	Screw set		1
4	VT0012956	Cover set - Front side	VERLINDE	1
4	VT0013949	Cover set - Front side	Extension - 2 brakes	1
5	VT0012592	Cover set - Brake side	VERLINDE	1
6	VT0012593	Cover set - Motor side	VERLINDE	1
7	VT0012594	Counterweight		1
8	VT0012523	Upper short suspension	Standard	1
8	VT0012524	Upper long suspension	Standard	1
-	VT0013965	Rain cover		1
	VT0013966	Rain cover	Extension - 2 brakes	1

1.2. Foldable hook



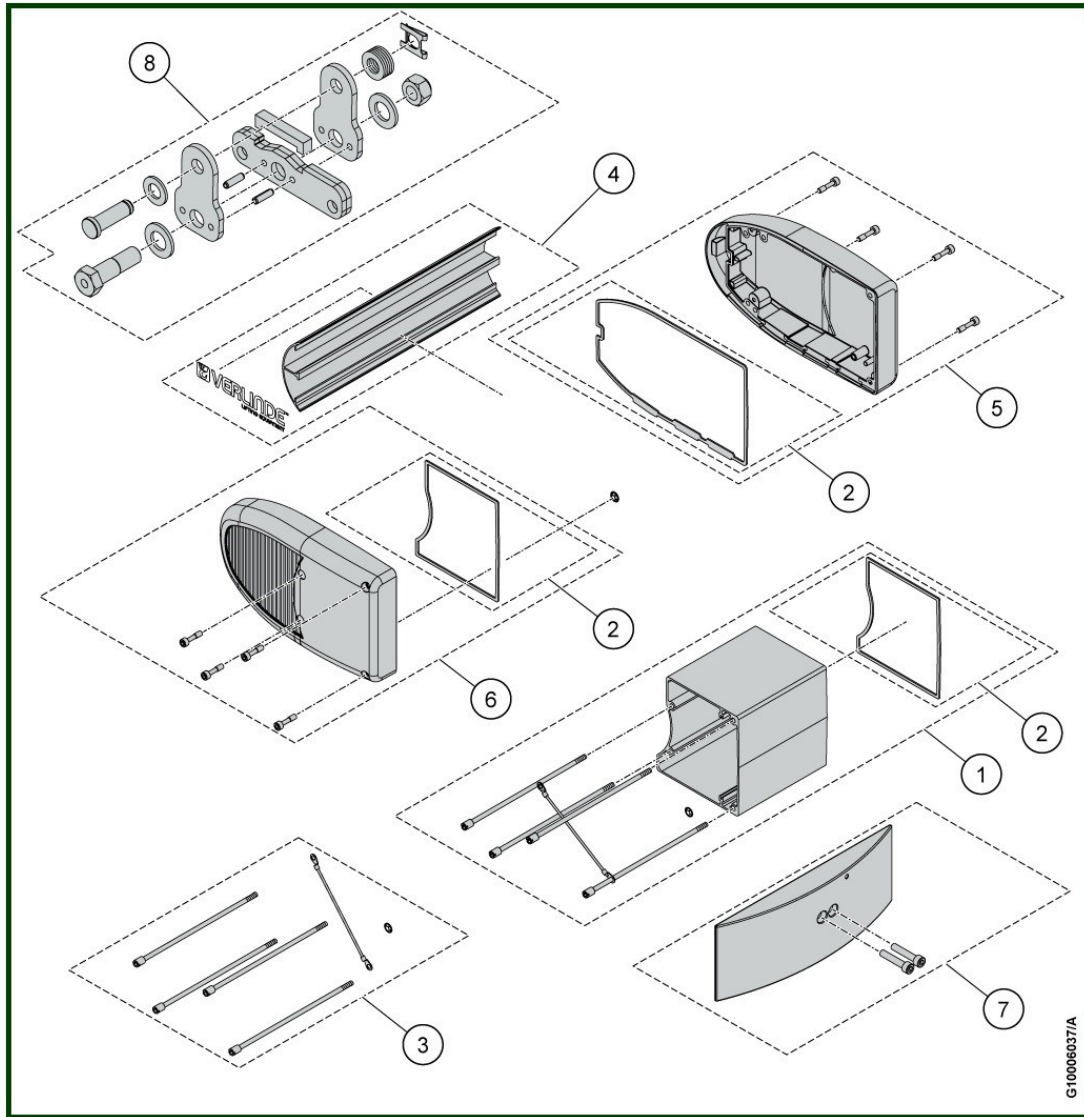
Element	Reference	Description	Observation	Quantity
1	VT0012588	Housing module		1
2	VT0012589	Sealing set		1
3	VT0012590	Screw set		1
4	VT0012956	Cover set - Front side		1
4	VT0013949	Cover set - Front side	Extension - 2 brakes	1
5	VT0012592	Cover set - Brake side		1
6	VT0012593	Cover set - Motor side		1
7	VT0012594	Counterweight		1
8	VT0013784	Upper long suspension	Foldable hook	1
-	VT0013965	Rain cover		1
-	VT0013966	Rain cover	Extension - 2 brakes	1

1.3. Manual trolley



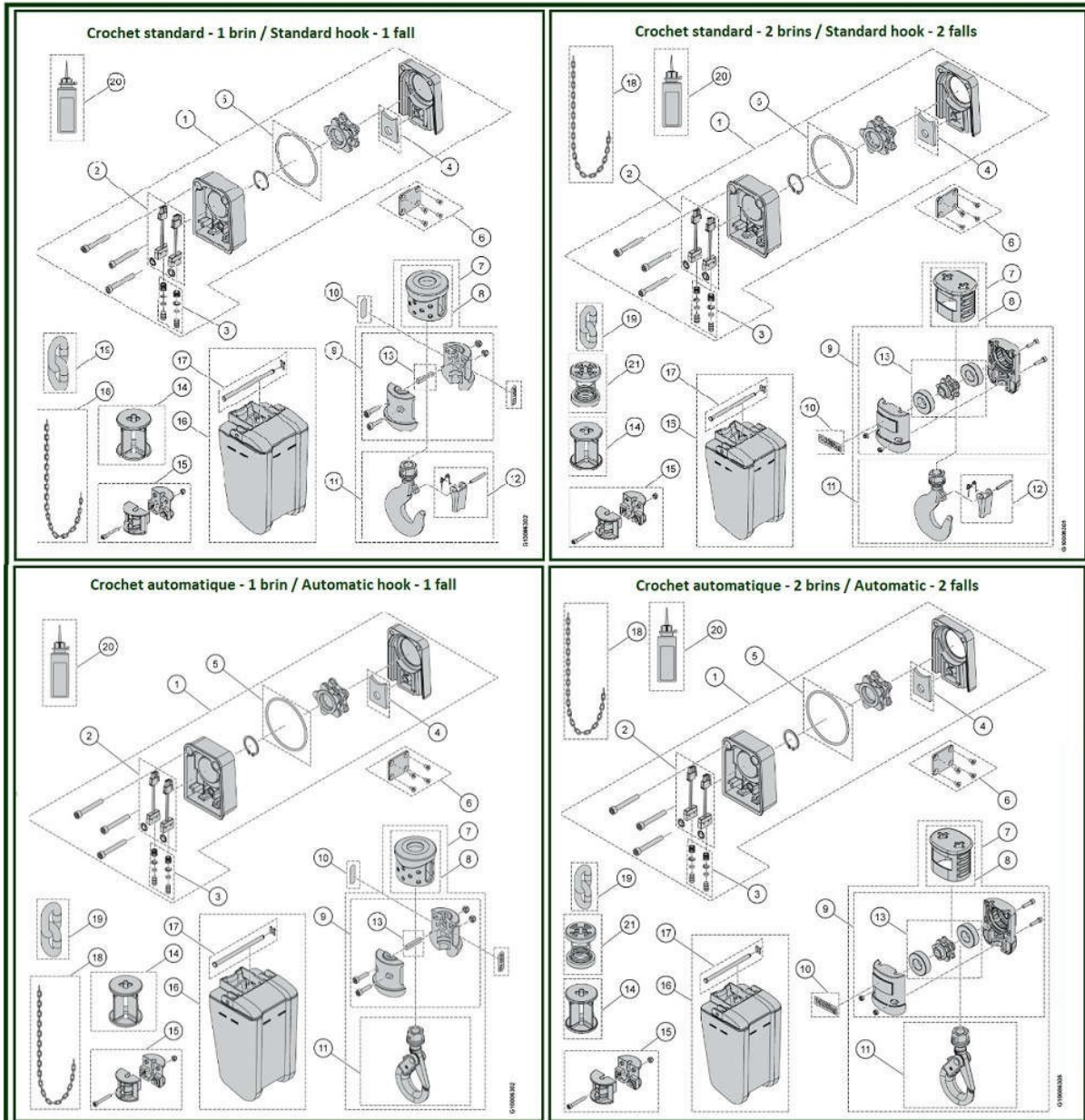
Element	Reference	Description	Observation	Quantity
1	VT0012588	Housing module		1
2	VT0012589	Sealing set		1
3	VT0012590	Screw set		1
4	VT0012956	Cover set - Front side		1
4	VT0013949	Cover set - Front side	Extension - 2 brakes	1
5	VT0012592	Cover set - Brake side		1
6	VT0012593	Cover set - Motor side		1
7	VT0012594	Counterweight		1
8	VT0013785	Upper suspension	Eye rotated	1
-	VT0013965	Rain cover		1
-	VT0013966	Rain cover	Extension - 2 brakes	1

1.4. Electric trolley

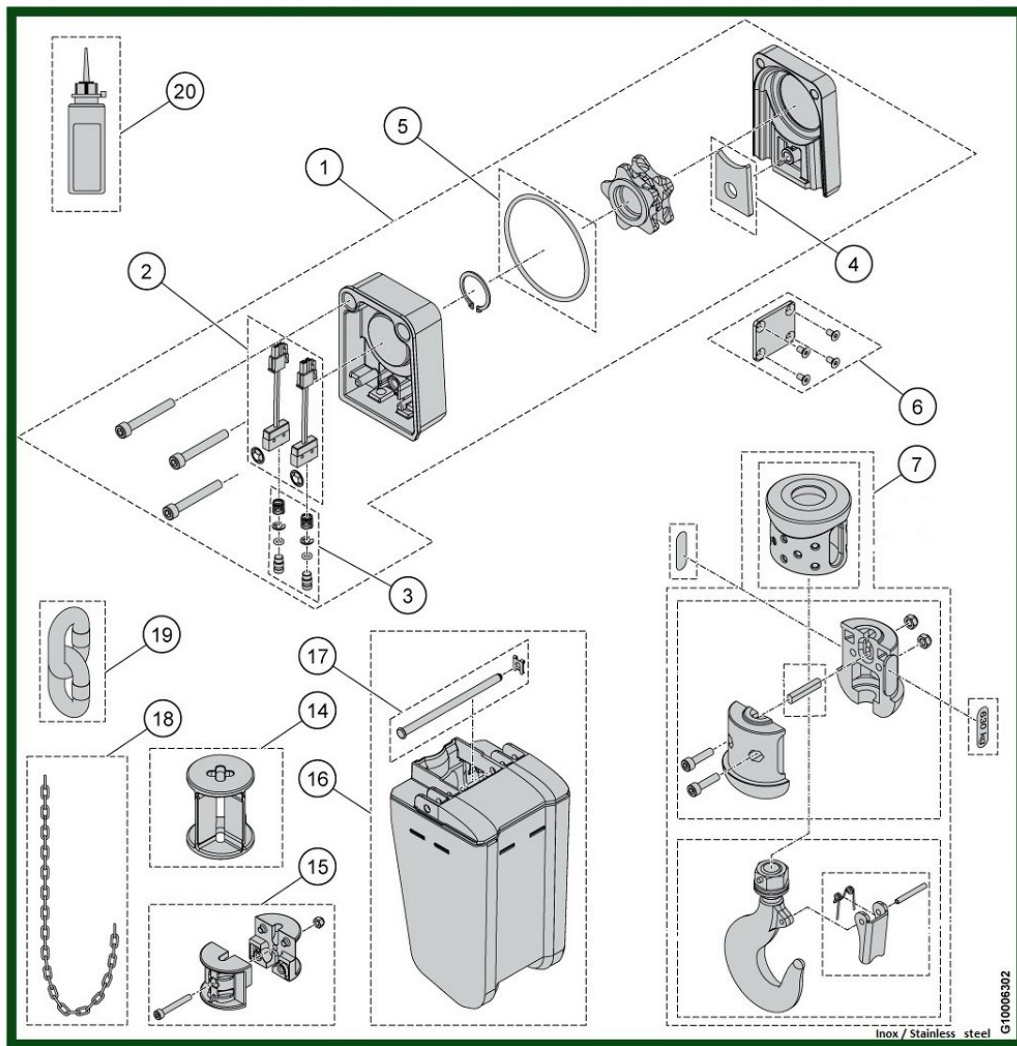


Element	Reference	Description	Observation	Quantity
1	VT0012588	Housing module		1
2	VT0012589	Sealing set		1
3	VT0012590	Screw set		1
4	VT0012956	Cover set - Front side		1
4	VT0013949	Cover set - Front side	Extension - 2 brakes	1
5	VT0012592	Cover set - Brake side		1
6	VT0012593	Cover set - Motor side		1
7	VT0012594	Counterweight		1
8	VT0013782	Upper suspension	C1	1
-	VT0013965	Rain cover		1
-	VT0013966	Rain cover	Extension - 2 brakes	1

2. CHAIN GUIDE



2.1. Stainless steel hook – 1 fall



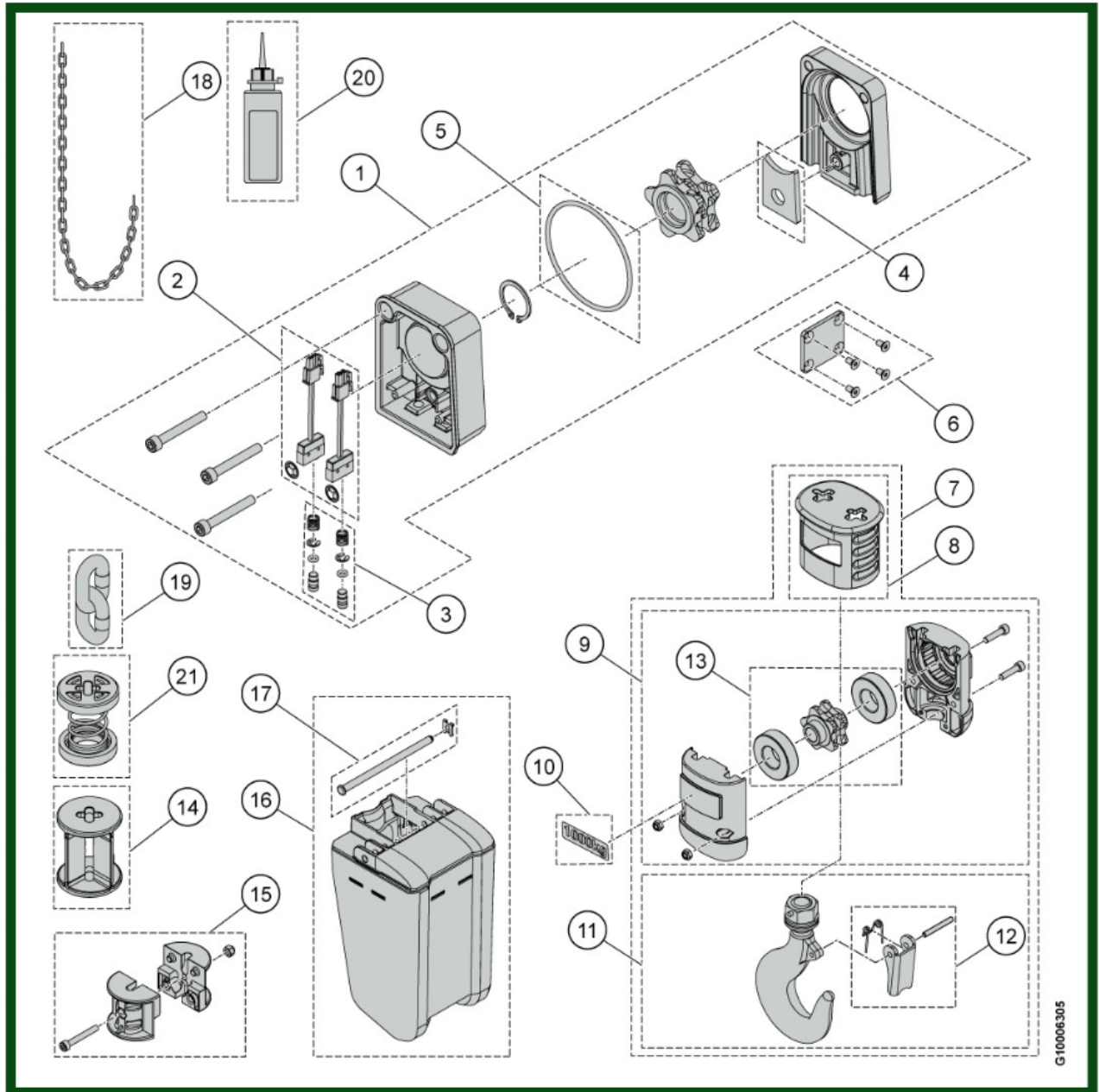
Stainless steel hook – 1 fall

Element	Reference	Description	Observation	Quantity
1	<u>VT0012636</u>	Chain guide	Sprocket - 6 pockets	1
2	<u>VT0012526</u>	Switch set		1
3	<u>VT0012637</u>	Activator switch		1
4	<u>VT0012638</u>	Chain ejector		1
5	<u>VT0006095</u>	O-ring		1
6	<u>VT0012639</u>	Cap assembly		1
7	<u>VT0014963</u>	Hook block	Stainless steel	1
14	<u>VT0012656</u>	Activator buffer		1
15	<u>VT0012657</u>	Chain stop	4,1x12,1	1
16	<u>VT0014741</u>	Chain bucket	6 m	1
17	<u>VT0012586</u>	Fixing set		1
18	<u>VT0016501</u>	Chain - 4,1x12,1	DAT	1
18	<u>VT0012659</u>	Chain - 4,1x12,1	Standard T	1
18	<u>VT0013985</u>	Chain - 4,1x12,1	Stainless steel	1
18	<u>VT0012836</u>	Precut chain - 4,1x12,1	3,5 m	1
18	<u>VT0012837</u>	Precut chain - 4,1x12,1	5 m	1
18	<u>VT0012838</u>	Precut chain - 4,1x12,1	10 m	1
19	<u>VT0014141</u>	Chain fitting tool		1
20	<u>VT0006025</u>	Oil can		1

Standard hook - 1 fall

Element	Reference	Description	Observation	Quantity
1	<u>VT0012636</u>	Chain guide	Sprocket - 6 pockets	1
2	<u>VT0012526</u>	Switch set		1
3	<u>VT0012637</u>	Activator switch		1
4	<u>VT0012638</u>	Chain ejector		1
5	<u>VT0006095</u>	O-ring		1
6	<u>VT0012639</u>	Cap assembly		1
7	<u>VT0012640</u>	Hook block	Standard hook	1
8	<u>VT0012642</u>	Rubber chain stop		1
9	<u>VT0012643</u>	Hook component - 1 fall		1
10	<u>VT0012650</u>	Set of 10 load plates - Hook	1/4T - 1 fall	1
10	<u>VT0012649</u>	Set of 10 load plates - Hook	1/8T - 1 fall	1
10	<u>VT0014090</u>	Set of 10 load plates - Hook	63 Kg - 1 fall	1
10	<u>VT0012645</u>	Set of 10 load plates - Hook	125 Kg - 1 fall	1
10	<u>VT0012646</u>	Set of 10 load plates - Hook	160 Kg - 1 fall	1
10	<u>VT0004932</u>	Set of 10 load plates - Hook	250 Kg - 1 fall	1
10	<u>VT0012647</u>	Set of 10 load plates - Hook	320 Kg - 1 fall	1
11	<u>VT0004926</u>	Hook - 1 fall		1
12	<u>VT0004905</u>	Safety latch		1
13	<u>VT0012654</u>	Pin		1
14	<u>VT0012656</u>	Activator buffer		1
15	<u>VT0012657</u>	Chain stop	4,1x12,1	1
16	<u>VT0014741</u>	Chain bucket	6 m	1
17	<u>VT0012586</u>	Fixing set		1
18	<u>VT0016501</u>	Chain - 4,1x12,1	DAT	1
18	<u>VT0012659</u>	Chain - 4,1x12,1	Standard T	1
18	<u>VT0012836</u>	Precut chain - 4,1x12,1	3,5 m	1
18	<u>VT0012837</u>	Precut chain - 4,1x12,1	5 m	1
18	<u>VT0012838</u>	Precut chain - 4,1x12,1	10 m	1
19	<u>VT0014141</u>	Chain fitting tool		1
20	<u>VT0006025</u>	Oil can		1

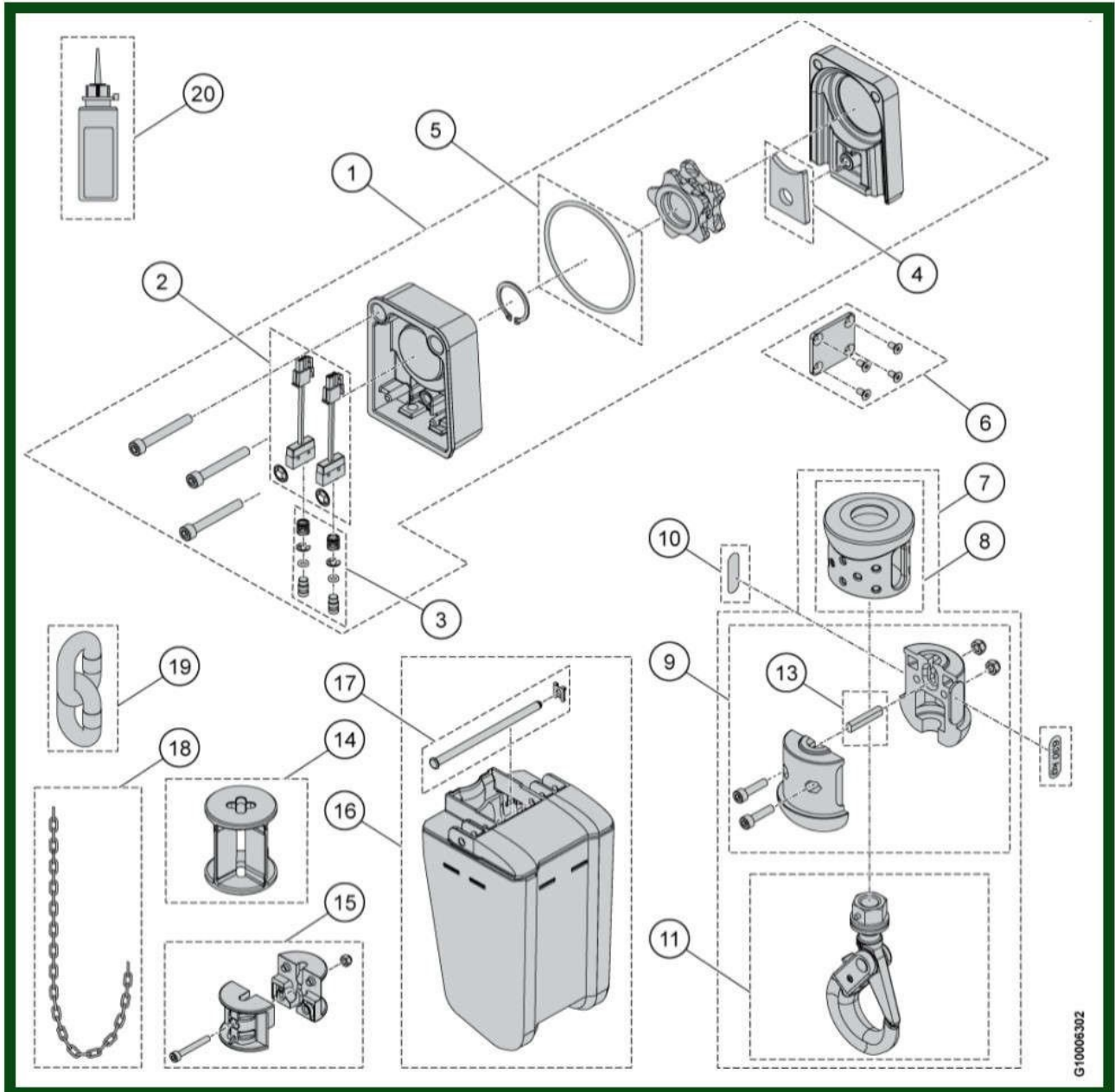
2.3. Standard hook - 2 falls



Standard hook - 2 falls

Element	Reference	Description	Observation	Quantity
1	<u>VT0012636</u>	Chain guide	Sprocket - 6 pockets	1
2	<u>VT0012526</u>	Switch set		1
3	<u>VT0012637</u>	Activator switch		1
4	<u>VT0012638</u>	Chain ejector		1
5	<u>VT0006095</u>	O-ring		1
6	<u>VT0012639</u>	Cap assembly		1
7	<u>VT0012641</u>	Hook block - 2 falls	Standard	1
8	<u>VT0012535</u>	Rubber chain stop - 2 falls		1
9	<u>VT0012644</u>	Hook component - 2 falls		1
10	<u>VT0009110</u>	Set of 10 load plates - Hook	1/2T - 2falls	1
10	<u>VT0014081</u>	Set of 10 load plates - Hook	500 Kg – 2 falls	1
11	<u>VT0004975</u>	Hook - 2 falls		1
12	<u>VT0004905</u>	Safety latch		1
13	<u>VT0012655</u>	Sprocket		1
14	<u>VT0012656</u>	Activator buffer		1
15	<u>VT0012657</u>	Chain stop	4,1x12,1	1
16	<u>VT0014741</u>	Chain bucket	6 m	1
17	<u>VT0012586</u>	Fixing set		1
18	<u>VT0016501</u>	Chain - 4,1x12,1	DAT	1
18	<u>VT0012659</u>	Chain- 4,1x12,1	Standard T	1
18	<u>VT0012836</u>	Precut chain - 4,1x12,1	3,5 m	1
18	<u>VT0012837</u>	Precut chain - 4,1x12,1	5 m	1
18	<u>VT0012838</u>	Precut chain - 4,1x12,1	10 m	1
19	<u>VT0014141</u>	Chain fitting tool		1
20	<u>VT0006025</u>	Oil can		1
21	<u>VT0009186</u>	Activator switch	2 falls	1

2.4. Automatic hook - 1 fall



G10006302

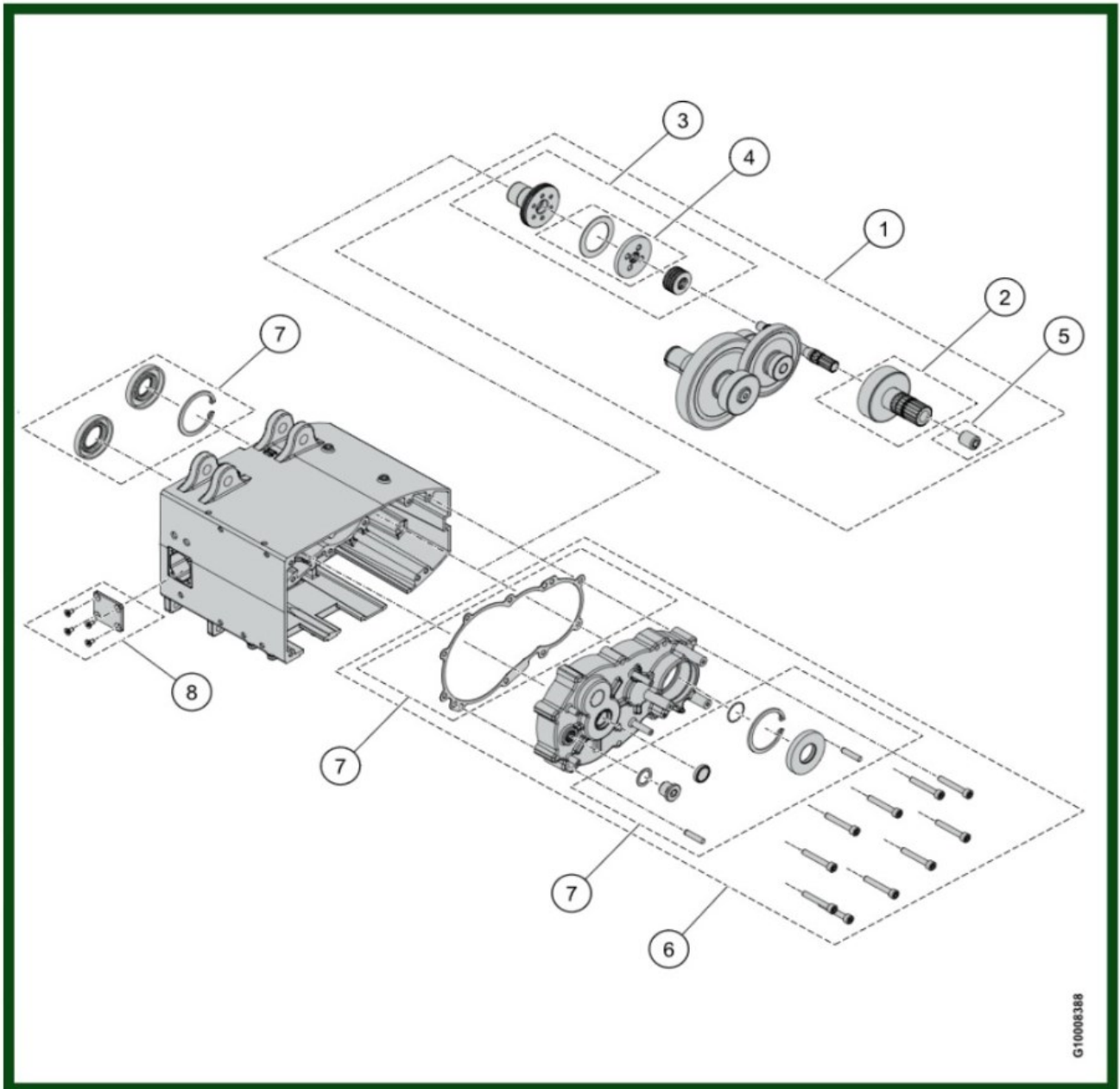
Automatic hook – 1 fall

Element	Reference	Description	Observation	Quantity
1	<u>VT0012636</u>	Chain guide	Sprocket - 6 pockets	1
2	<u>VT0012526</u>	Switch set		1
3	<u>VT0012637</u>	Activator switch		1
4	<u>VT0012638</u>	Chain ejector		1
5	<u>VT0006095</u>	O-ring		1
6	<u>VT0012639</u>	Cap assembly		1
7	<u>VT0013967</u>	Hook block	Automatic hook	1
8	<u>VT0012642</u>	Rubber chain stop		1
9	<u>VT0012643</u>	Hook component		1
10	<u>VT0012650</u>	Set of 10 load plates - Hook	1/4T - 1 fall	1
10	<u>VT0012649</u>	Set of 10 load plates - Hook	1/8T - 1 fall	1
10	<u>VT0014090</u>	Set of 10 load plates - Hook	63 Kg - 1 fall	1
10	<u>VT0012645</u>	Set of 10 load plates - Hook	125 Kg - 1 fall	1
10	<u>VT0012646</u>	Set of 10 load plates - Hook	160 Kg - 1 fall	1
10	<u>VT0004932</u>	Set of 10 load plates - Hook	250 Kg - 1 fall	1
10	<u>VT0012647</u>	Set of 10 load plates - Hook	320 Kg - 1 fall	1
11	<u>VT0013981</u>	Automatic hook - 1 fall		1
13	<u>VT0012654</u>	Pin		1
14	<u>VT0012656</u>	Activator buffer		1
15	<u>VT0012657</u>	Chain stop	4,1x12,1	1
16	<u>VT0014741</u>	Chain bucket	6 m	1
17	<u>VT0012586</u>	Fixing set		1
18	<u>VT0016501</u>	Chain - 4,1x12,1	DAT	1
18	<u>VT0012659</u>	Chain - 4,1x12,1	Standard T	1
18	<u>VT0012836</u>	Precut chain - 4,1x12,1	3,5 m	1
18	<u>VT0012837</u>	Precut chain - 4,1x12,1	5 m	1
18	<u>VT0012838</u>	Precut chain - 4,1x12,1	10 m	1
19	<u>VT0014141</u>	Chain fitting tool		1
20	<u>VT0006025</u>	Oil can		1

Automatic hook – 2 falls

Element	Reference	Description	Observation	Quantity
1	VT0012636	Chain guide	Sprocket - 6 pockets	1
2	VT0012526	Switch set		1
3	VT0012637	Activator switch		1
4	VT0012638	Chain ejector		1
5	VT0006095	O-ring		1
6	VT0012639	Cap assembly		1
7	VT0013968	Hook block - 2 falls	Automatic hook	1
8	VT0012535	Rubber chain stop - 2 falls		1
9	VT0012644	Hook component - 2 falls		1
10	VT0009110	Set of 10 load plates - Hook	1/2T - 2 falls	1
10	VT0014081	Set of 10 load plates - Hook	500 Kg - 2 falls	1
11	VT0013982	Automatic hook - 2 falls		1
13	VT0012655	Sprocket		1
14	VT0012656	Activator buffer		1
15	VT0012657	Chain stop	4,1x12,1	1
16	VT0014741	Chain bucket	6 m	1
17	VT0012586	Fixing set		1
18	VT0016501	Chain - 4,1x12,1	DAT	1
18	VT0012659	Chain - 4,1x12,1	Standard T	1
18	VT0012836	Precut chain - 4,1x12,1	3,5 m	1
18	VT0012837	Precut chain - 4,1x12,1	5 m	1
18	VT0012838	Precut chain - 4,1x12,1	10 m	1
19	VT0014141	Chain fitting tool		1
20	VT0006025	Oil can		1
21	VT0009186	Activator switch	2 falls	1

3. GEAR



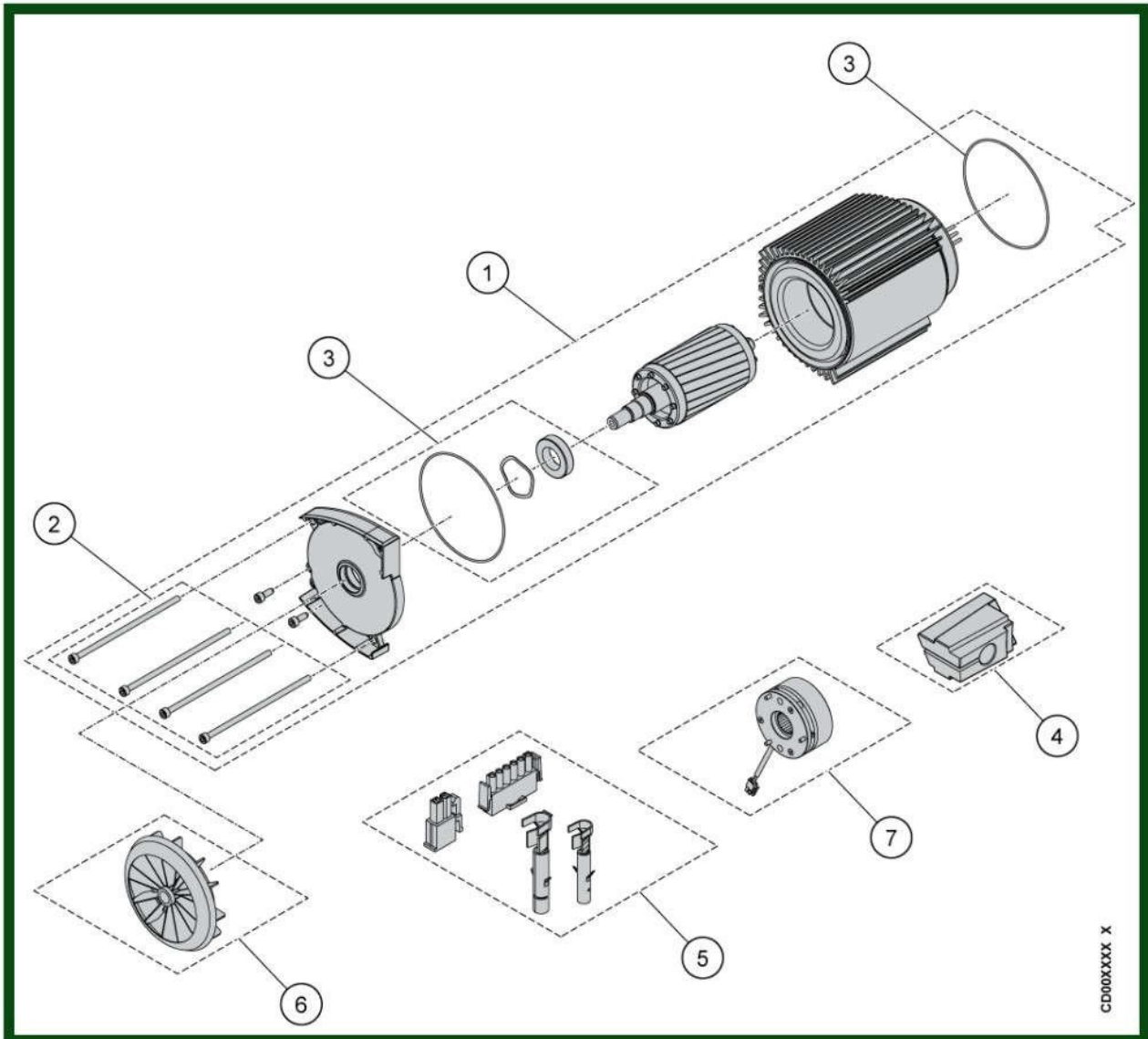
Gear

Element	Reference	Description	Observation	Quantity
1	<u>VT0012660</u>	Gear assembly	6m/min	1
1	<u>VT0012661</u>	Gear assembly	8m/min	1
1	<u>VT0012662</u>	Gear assembly	12m/min	1
1	<u>VT0012663</u>	Gear assembly	16m/min	1
1	<u>VT0012664</u>	Gear assembly	24/min	1
2	<u>VT0012665</u>	Brake hub		1
3	<u>VT0012666</u>	Clutch		1
4	<u>VT0012667</u>	Friction disc		1
5	<u>VT0012563</u>	Screw set		1
6	<u>VT0012669</u>	Gear housing set	GLS	1
6	<u>VT0012668</u>	Gear housing set	Standard	1
7	<u>VT0012671</u>	Sealing set	GLS	1
7	<u>VT0012670</u>	Sealing set	Standard	1
8	<u>VT0012639</u>	Cap assembly		1

3.1. Gear – Options

Element	Reference	Description	Observation	Quantity
1	<u>VT0009358</u>	Frame extension		1
2	<u>VT0014016</u>	Support plate - Gear		1
3	<u>VT0014018</u>	Limit switch + screw		1
3	<u>VT0014019</u>	Limit switch + screw		1
3	<u>VT0014015</u>	Limit switch + screw		1
3	<u>VT0014017</u>	Limit switch + screw		1
4	<u>VT0014010</u>	Support plate + screw		1
7	<u>VT0014023</u>	Complete limit switch + Sealing	2 cams / 180 rotations	1
7	<u>VT0014021</u>	Complete limit switch + Sealing	2 cams / 280 rotations	1
7	<u>VT0014022</u>	Complete limit switch + Sealing	4 cams / 180 rotations	1
7	<u>VT0014020</u>	Complete limit switch + Sealing	4 cams / 280 rotations	1
8	<u>VT0014013</u>	Wiring set	2 cams	1
8	<u>VT0014012</u>	Wiring set	4 cams	1
9	<u>VT0013949</u>	Cover set - Front side	2 brakes extension	1

4. MOTOR

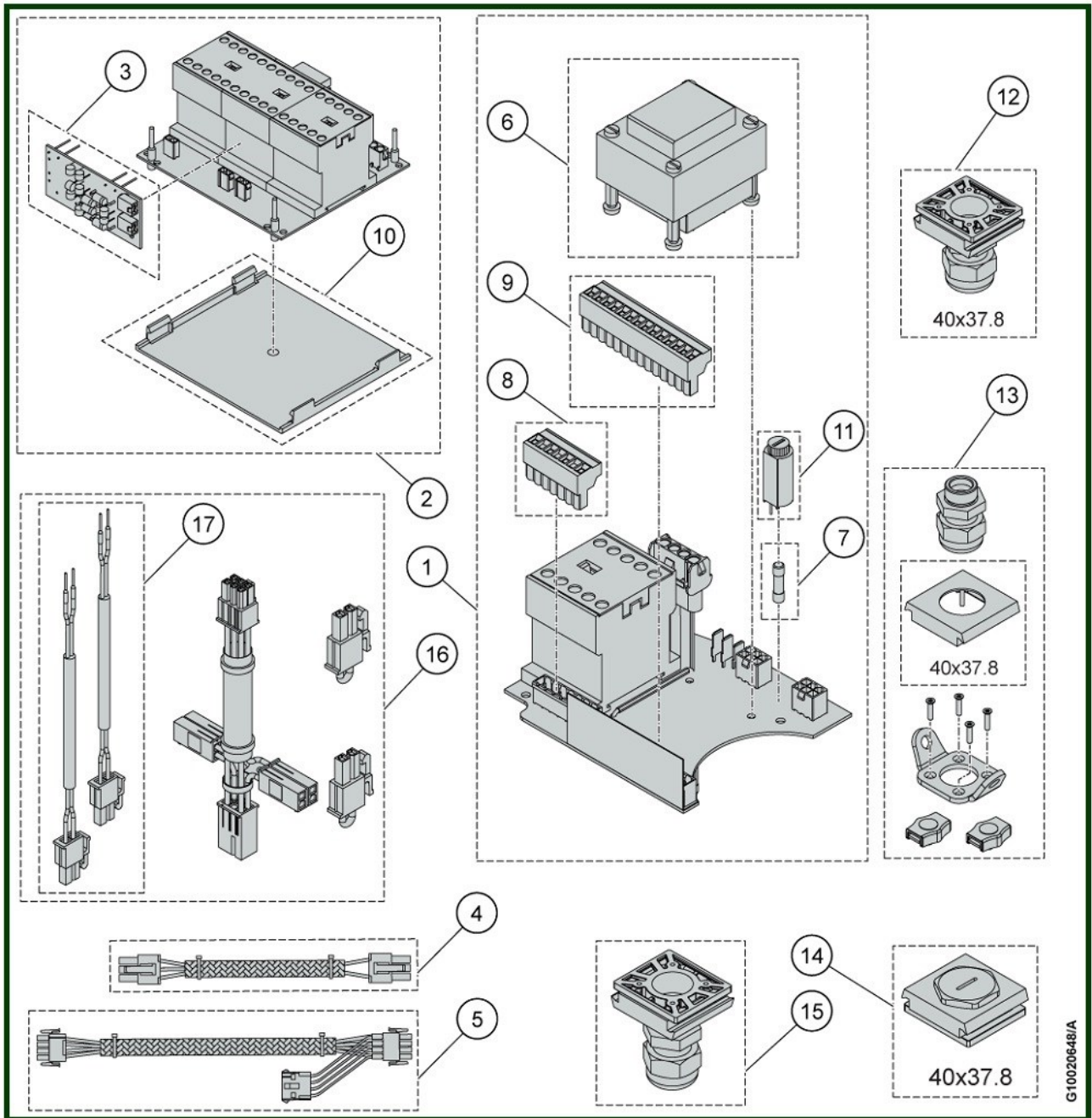


MOTOR

Element	Reference	Description	Observation	Quantity
1	<u>VT0015662</u>	Motor - 2 speeds	220V-240V 50Hz 0,36 Kw	1
1	<u>VT0012672</u>	Motor - 2 speeds	380V-415V 50Hz 460V-480V 60Hz 0,36 Kw	1
1	<u>VT0015661</u>	Motor - 2 speeds	500V-525V 50Hz 0,36 Kw	1
2	<u>VT0010445</u>	Screw set		1
3	<u>VT0012673</u>	Sealing + bearings set		1
4	<u>VT0012674</u>	Rubber		1
5	<u>VT0012758</u>	Motor connectors		1
6	<u>VT0012675</u>	Fan set		1
7	<u>VT0006260</u>	Single brake		1
7	<u>VT0004662</u>	Single brake		1
7	<u>VT0006354</u>	Single brake		1
7	<u>VT0006353</u>	Single brake		1
7	<u>VT0006185</u>	Double brakes		1
7	<u>VT0006184</u>	Double brakes		1
7	<u>VT0006355</u>	Double brakes		1
7	<u>VT0006356</u>	Double brakes		1

5. ELECTRICAL PARTS

5.1. Solo equipment - Standard



G10020648/A

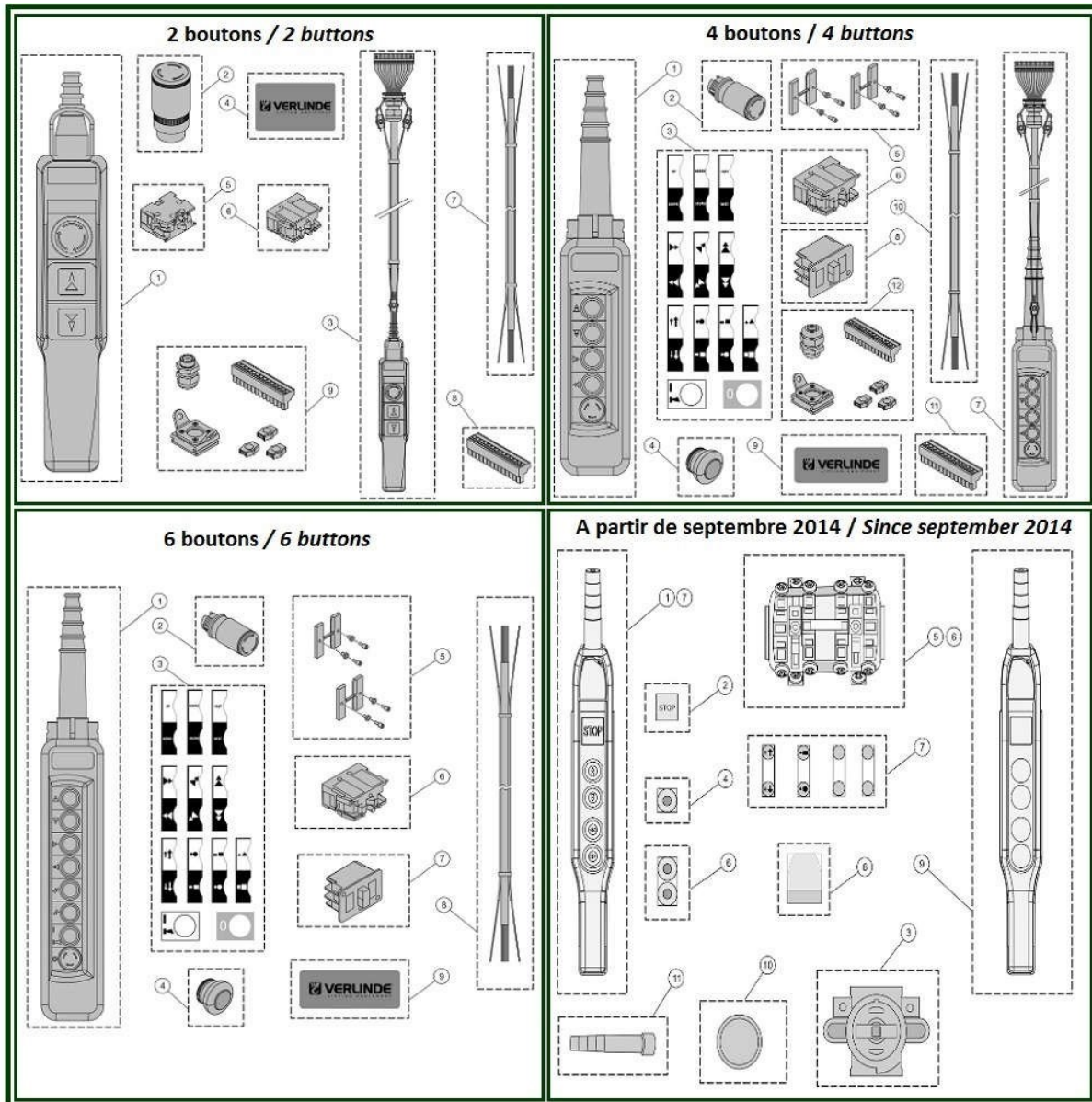
Solo equipment - Standard

Element	Reference	Description	Observation	Quantity
1	VT0009195	Power supply board - Solo hoist	230V / 24V - 50 Hz	1
1	VT0006430	Power supply board - Solo hoist	230V / 48V - 50 Hz	1
1	VT0006431	Power supply board - Solo hoist	230V / 115V - 50 Hz	1
1	VT0011276	Power supply board - Solo hoist	230V / 230V - 50 Hz	1
1	VT0004944	Power supply board - Solo hoist	380-415V / 24V - 50 Hz	1
1	VT0004942	Power supply board - Solo hoist	380-415V / 48V - 50 Hz	1
1	VT0005312	Power supply board - Solo hoist	380-415V / 115V - 50 Hz	1
1	VT0005313	Power supply board - Solo hoist	380-415V / 230V - 50 Hz	1
1	VT0007409	Power supply board - Solo hoist	460-480V / 24V - 60 Hz	1
1	VT0006432	Power supply board - Solo hoist	460-480V / 48V - 60 Hz	1
1	VT0006433	Power supply board - Solo hoist	460-480V / 48V - 60 Hz	1
1	VT0012571	Power supply board - Solo hoist	460-480V / 230V - 60 Hz	1
1	VT0006434	Power supply board - Solo hoist	460-480V / 48V - 60 Hz	1
1	VT0006446	Power supply board - Solo hoist	500-525V / 115V - 50 Hz	1
1	VT0006435	Power supply board - Solo hoist	575V / 48V - 60 Hz	1
1	VT0006447	Power supply board - Solo hoist	575V / 115V - 60 Hz	1
2	VT0005302	Motor control board 2 speeds - 1 brake	230V-690V / 50-60HZ / 24V	1
2	VT0004945	Motor control board 2 speeds - 1 brake	230V-690V / 50-60HZ / 48V	1
2	VT0005303	Motor control board 2 speeds - 1 brake	230V-690V / 50-60HZ / 110V	1
2	VT0005304	Motor control board 2 speeds - 1 brake	230V-690V / 50-60HZ / 230V	1
2	VT0005305	Motor control board 2 speeds - 2 brakes	230V-690V / 50-60HZ / 24V	1
2	VT0005306	Motor control board 2 speeds - 2 brakes	230V-690V / 50-60HZ / 48V	1
2	VT0005307	Motor control board 2 speeds - 2 brakes	230V-690V / 50-60HZ / 110V	1
2	VT0005308	Motor control board 2 speeds - 2 brakes	230V-690V / 50-60HZ / 230V	1
3	VT0004946	Rectifier - 1 brake	230V-690V	1
3	VT0004947	Rectifier - 2 brakes	230V-690V	1
3	VT0004948	Rectifier reconnectable	208V-690V	1
4	VT0004949	Wire harness / Plug control voltage		1
5	VT0004950	Wire harness / Plug power voltage		1

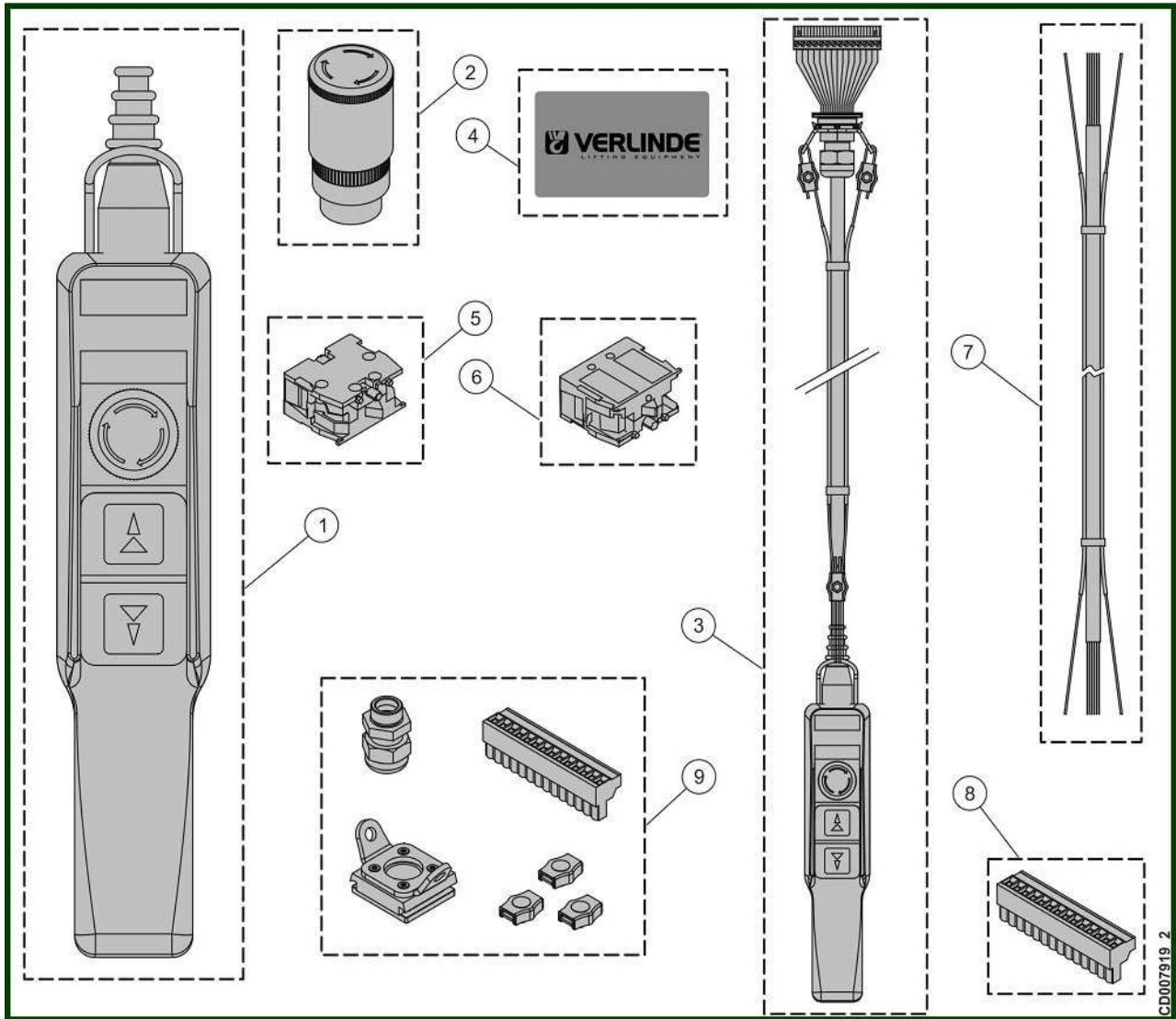
Element	Reference	Description	Observation	Quantity
6	<u>VT0009197</u>	Transformer	230V / 24V	1
6	<u>VT0006325</u>	Transformer	230V / 48V	1
6	<u>VT0006439</u>	Transformer	208V 230V / 115V	1
6	<u>VT0009198</u>	Transformer	230V / 230V	1
6	<u>VT0004952</u>	Transformer	380-415V / 24V	1
6	<u>VT0004953</u>	Transformer	380-415V / 48V	1
6	<u>VT0004951</u>	Transformer	380-415V / 115V	1
6	<u>VT0004954</u>	Transformer	380-415V / 230V	1
6	<u>VT0012579</u>	Transformer	460-480V / 24V - 60 Hz	1
6	<u>VT0006437</u>	Transformer	460V / 48V	1
6	<u>VT0012572</u>	Transformer	500-525V / 24V	1
6	<u>VT0006436</u>	Transformer	500V / 48V	1
6	<u>VT0012573</u>	Transformer	500-525V / 115V	1
6	<u>VT0012574</u>	Transformer	500-525V / 230V	1
6	<u>VT0012580</u>	Transformer	575V / 24V	1
6	<u>VT0006438</u>	Transformer	575V / 48V	1
6	<u>VT0008540</u>	Transformer	575V / 115V	1
6	<u>VT0012581</u>	Transformer	575V / 230V	1
6	<u>VT0012575</u>	Transformer	690V / 24V	1
6	<u>VT0012576</u>	Transformer	690V / 48V	1
6	<u>VT0012577</u>	Transformer	690V / 115V	1
6	<u>VT0012578</u>	Transformer	690V / 230V	1
7	<u>VT0007706</u>	Set of 10 fuses	24V	1
7	<u>VT0007305</u>	Set of 10 fuses	48V	1
7	<u>VT0006194</u>	Set of 10 fuses	115V	1
7	<u>VT0008541</u>	Set of 10 fuses	230V	1
8	<u>VT0005107</u>	Wire harness / Plug power voltage	4P	1
9	<u>VT0005108</u>	Power supply connector	14P	1
10	<u>VT0006441</u>	Insulation plate		1
11	<u>VT0006191</u>	Fuse base		1
12	<u>VT0006393</u>	Cable gland set Square cable entry	Power supply ISO 20	1
13	<u>VT0005090</u>	Cable gland set Square cable entry	Push button	1
14	<u>VT0006089</u>	End cap Square cable entry		1
15	<u>VT0006326</u>	Cable gland set Square cable entry	Flat cable - 4G2.5	1

16	<u>VT0008551</u>	Set of GLS connection		1
17	<u>VT0008550</u>	GLS cable	600mm - 24-230V 50-60Hz 2 for 2 Cames or 4 for 4 Cames	1
-	<u>VT0006967</u>	Time counter		1

6. PUSH BUTTONS



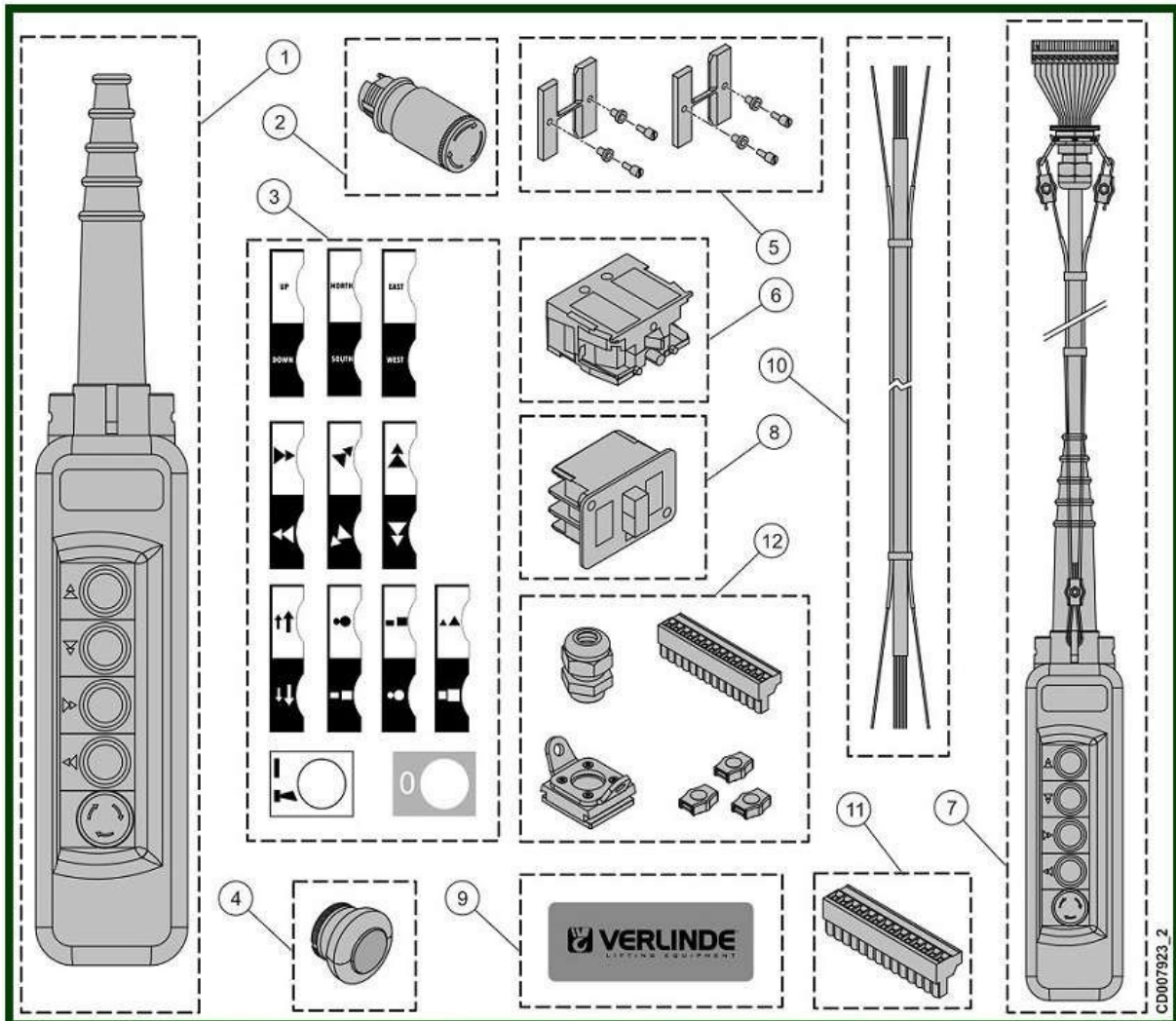
6.1. 2 buttons



2 buttons

Element	Reference	Description	Observation	Quantity
1	<u>VT0005061</u>	Pendant controller 2HS+ES	Yellow	1
2	<u>VT0006547</u>	Emergency push button		1
3	<u>VT0005612</u>	Pendant with cable 2HS+ES	2,2 m - Yellow- CE	1
3	<u>VT0005613</u>	Pendant with cable 2HS+ES	2,7 m - Yellow- CE	1
3	<u>VT0005614</u>	Pendant with cable 2HS+ES	3,2 m - Yellow- CE	1
3	<u>VT0005615</u>	Pendant with cable 2HS+ES	3,7 m - Yellow- CE	1
3	<u>VT0005616</u>	Pendant with cable 2HS+ES	4,2 m - Yellow- CE	1
3	<u>VT0005617</u>	Pendant with cable 2HS+ES	4,7 m - Yellow- CE	1
3	<u>VT0005618</u>	Pendant with cable 2HS+ES	5,2 m - Yellow- CE	1
3	<u>VT0005619</u>	Pendant with cable 2HS+ES	5,7 m - Yellow- CE	1
4	<u>VT0007837</u>	Sticker of brand	VERLINDE	1
5	<u>VT0005064</u>	Contact block	ZB2-BE101	1
6	<u>VT0005066</u>	Contact block	ZB2-BE 102	1
6	<u>VT0015041</u>	Block contact	ZB2-BE 201 "F" décalé	1
7	<u>VT0006746</u>	Cable	5x1,5 mm2 - CE	1
8	<u>VT0005108</u>	Control voltage connector	14P	1
9	<u>VT0007583</u>	Pendant plug set		1

6.2. 4 buttons

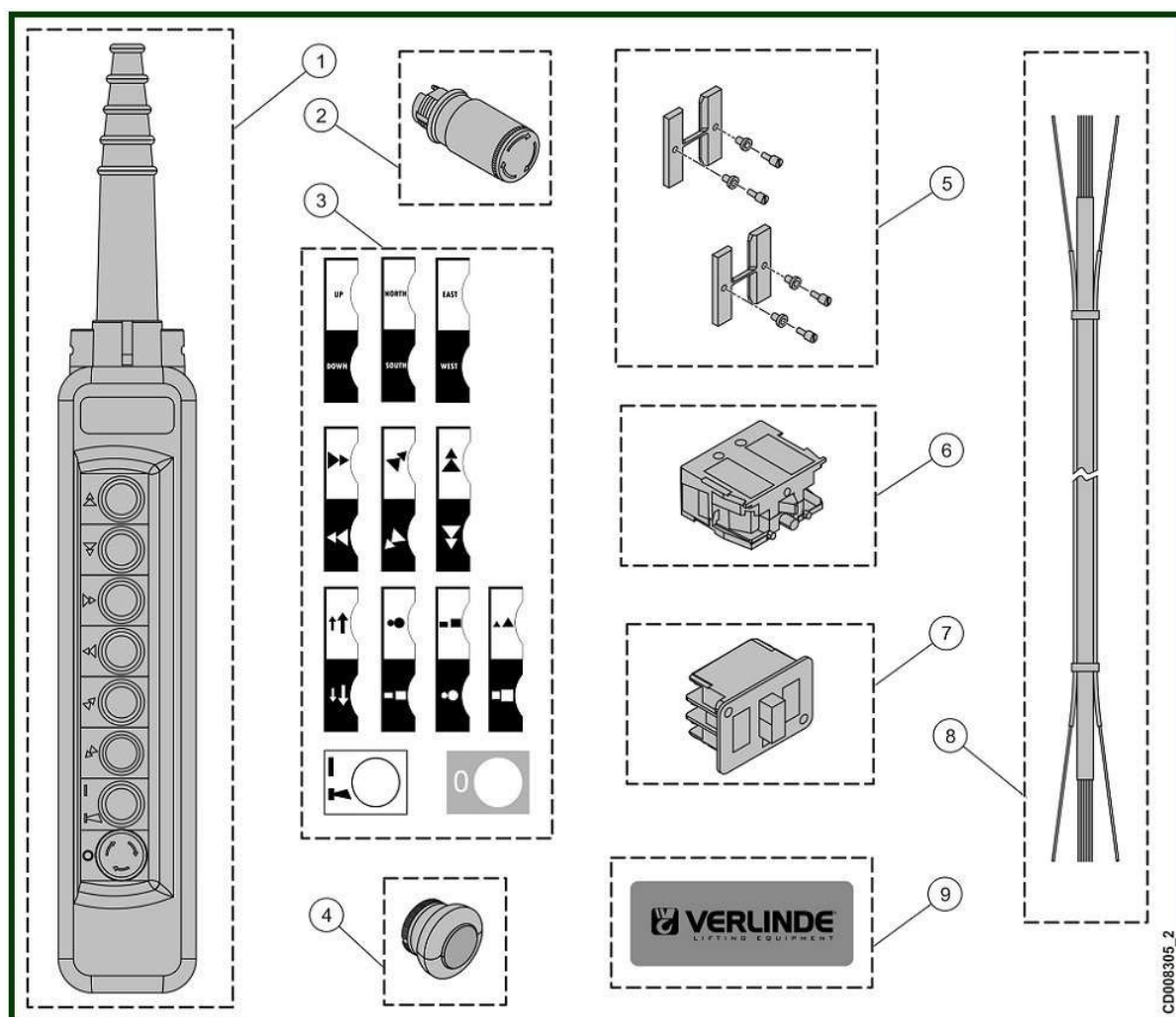


CD007923_2

4 buttons

Element	Reference	Description	Observation	Quantity
1	<u>VT0005055</u>	Pendant controller 2HS+2TS+ES	Yellow	1
2	<u>VT0006548</u>	Emergency push button		1
3	<u>VT0007882</u>	Set of direction symbols		1
4	<u>VT0005063</u>	Push button		1
5	<u>VT0005072</u>	Mechanical interlock		2
6	<u>VT0005066</u>	Block contact	ZB2-BE 102	1
7	<u>VT0006056</u>	Pendant with cable 2HS+2TS+ES	2,7 m - Yellow	1
7	<u>VT0006058</u>	Pendant with cable 2HS+2TS+ES	3,7 m - Yellow	1
7	<u>VT0006057</u>	Pendant with cable 2HS+2TS+ES	3,2 m - Yellow	1
7	<u>VT0006059</u>	Pendant with cable 2HS+2TS+ES	4,2 m - Yellow	1
7	<u>VT0006060</u>	Pendant with cable 2HS+2TS+ES	4,7 m - Yellow	1
7	<u>VT0006061</u>	Pendant with cable 2HS+2TS+ES	5,2 m - Yellow	1
7	<u>VT0006062</u>	Pendant with cable 2HS+2TS+ES	5,7 m - Yellow	1
7	<u>VT0006055</u>	Pendant with cable 2HS+2TS+ES	2,2 m - Yellow	1
8	<u>VT0007879</u>	Contact block	XENG1191	1
9	<u>VT0007880</u>	Sticker of brand	VERLINDE	1
10	<u>VT0006747</u>	Cable	8x1,5mm2	meter
11	<u>VT0005108</u>	Control voltage connector	14P	1
12	<u>VT0007583</u>	Pendant plug set	ISO	1

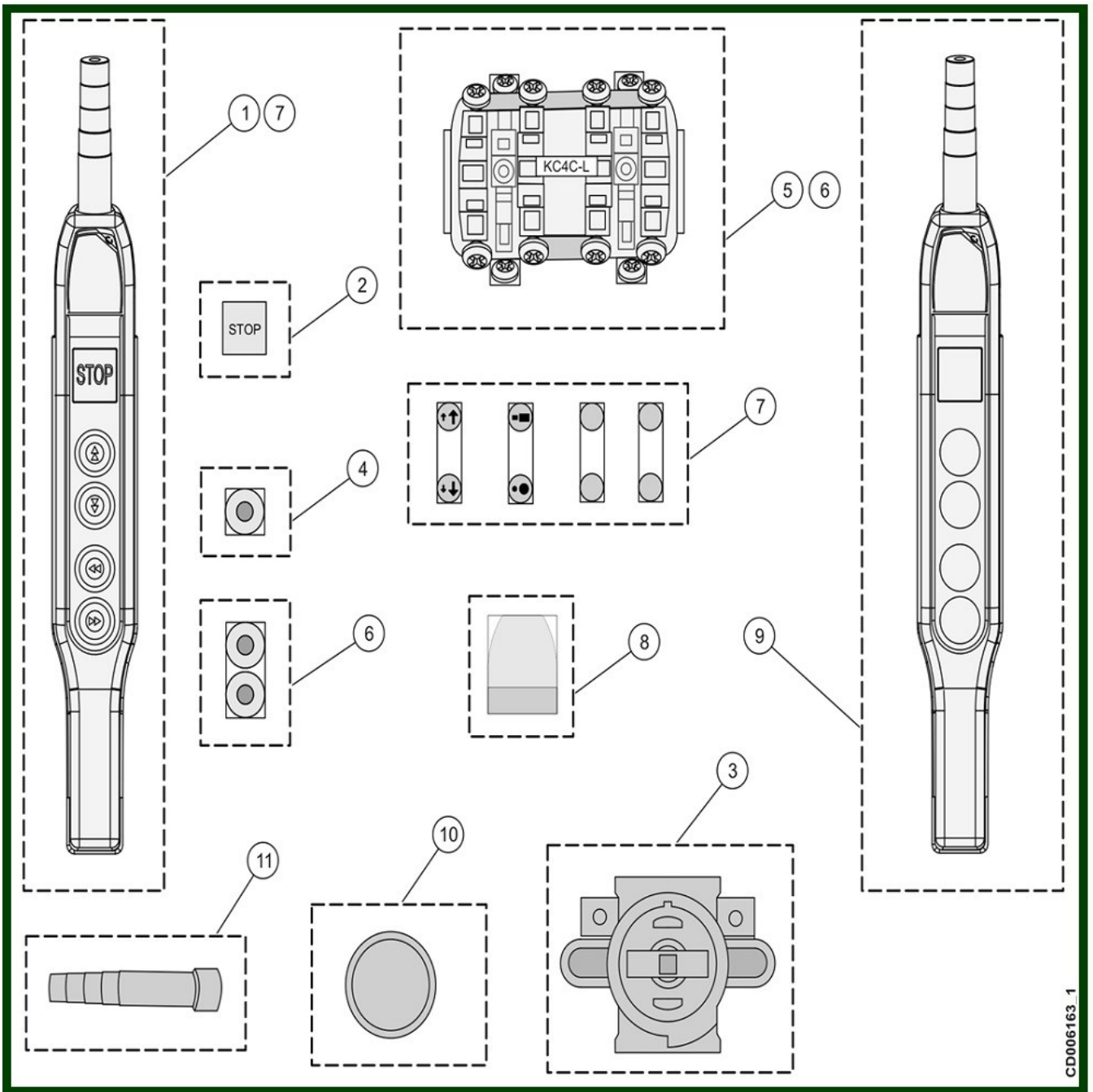
6.3. 6 buttons



CD008305_2

Element	Reference	Description	Observation	Quantity
1	VT0005058	Pendant controller 2HS+2TS+2LS+ON-OFF	Yellow	1
2	VT0006548	Emergency push button		1
3	VT0007882	Set of direction symbols		1
4	VT0005063	Push button		1
5	VT0005072	Mechanical interlock		2
6	VT0005066	Contact block	ZB2-BE 102	1
7	VT0007879	Contact block	XENG1191	1
8	VT0008073	Pendant electric cable	16x1.52mm ²	m
8	VT0008074	Pendant electric cable	20x1.5mm ²	m
9	VT0007880	Sticker of brand	VERLINDE	1
-	VT0005108	Control voltage connector	14P	1

6.4. 2 and 4 buttons - ERGOMOVE – From September 2014

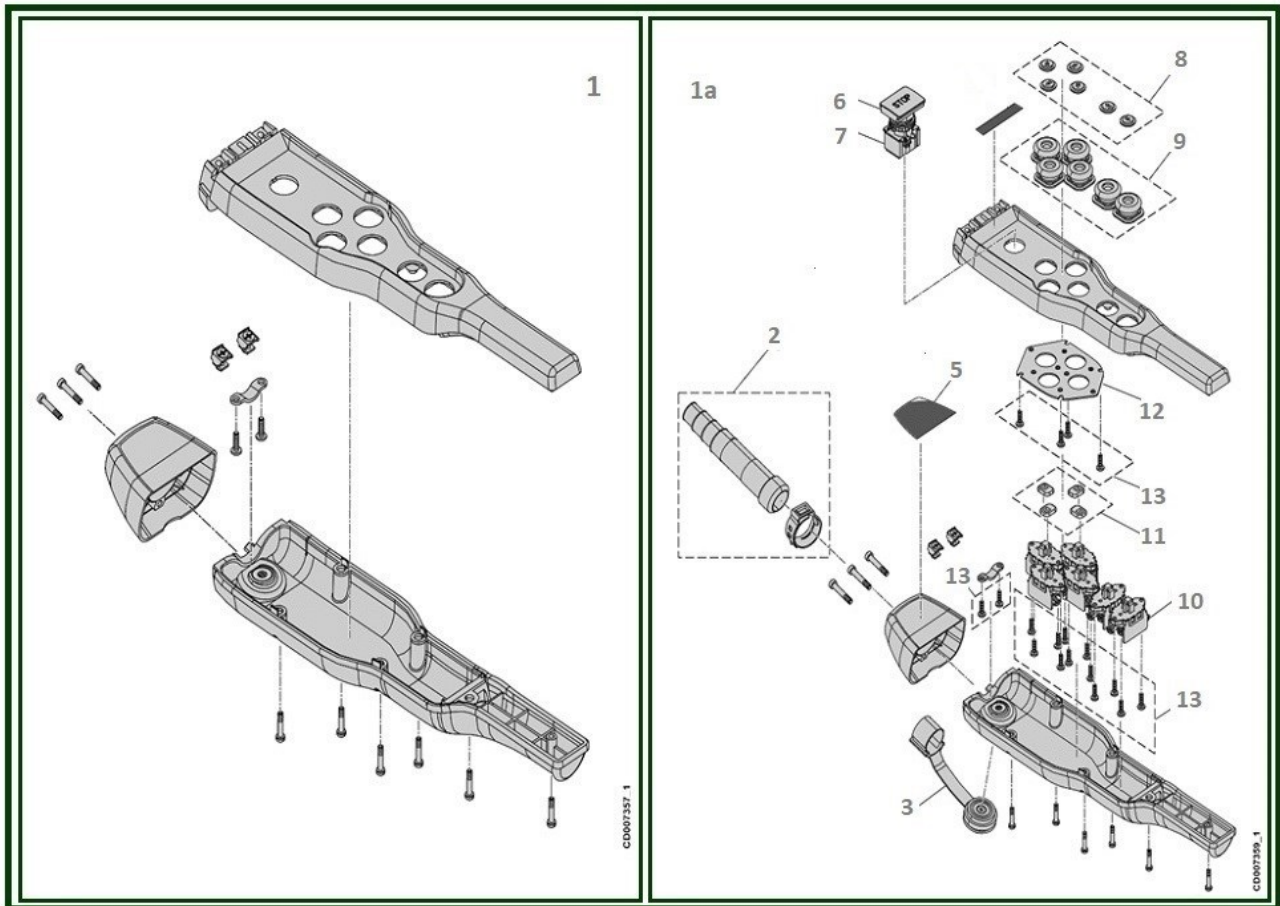


CD006163 - 1

2 and 4 buttons ERGOMOVE - From September 2014

Item	Reference	Description	Observation	Quantity
1	VT0006495	Push button - 2HS+2TS+ES	Yellow - 4 buttons	1
1	VT0006493	Push button - 2HS+ES	Yellow - 2 buttons	1
2	VT0006509	Emergency push button		1
3	VT0006510	Emergency stop contact block		1
4	VT0006511	Rubber push button		1
5	VT0006513	Contact block	2 steps	1
6	VT0006514	Set of 2 push buttons + contact block		1
7	VT0006754	Stickers - Direction symbols	ANSI	1
7	VT0006752	Stickers - Direction symbols	DIN	1
7	VT0006753	Stickers - Direction symbols	FIN-SEN	1
8	VT0006496	Sticker of brand	VERLINDE	1
9	VT0006515	Pendant controller	Yellow - 2 buttons	1
9	VT0006518	Pendant controller	Yellow - 4 buttons	1
10	VT0006517	Magnet		1
10	VT0006516	Rubber part		1
11	VT0014221	Cable bushing		1
	VT0006958	Push buttons box + cable + plug - 2 HS+ES	2,20 m - Yellow - DIN	1
	VT0006951	Push buttons box + cable + plug - 2 HS+ES	2,70 m - Yellow - DIN	1
	VT0006952	Push buttons box + cable + plug - 2 HS+ES	3,20 m - Yellow - DIN	1
	VT0006953	Push buttons box + cable + plug - 2 HS+ES	3,70 m - Yellow - DIN	1
	VT0006954	Push buttons box + cable + plug - 2 HS+ES	4,20 m - Yellow - DIN	1
	VT0006955	Push buttons box + cable + plug - 2 HS+ES	4,70 m - Yellow - DIN	1
	VT0006956	Push buttons box + cable + plug - 2 HS+ES	5,20 m - Yellow - DIN	1
	VT0006957	Push buttons box + cable + plug - 2 HS+ES	5,70 m - Yellow - DIN	1
	VT0006959	Push buttons box + cable + plug - 2 HS+2TS+ES	2,20 m - Yellow - DIN	1
	VT0006966	Push buttons box + cable + plug - 2 HS+2TS+ES	2,70 m - Yellow - DIN	1
	VT0006960	Push buttons box + cable + plug - 2 HS+2TS+ES	3,20 m - Yellow - DIN	1
	VT0006961	Push buttons box + cable + plug - 2 HS+2TS+ES	3,70 m - Yellow - DIN	1
	VT0006962	Push buttons box + cable + plug - 2 HS+2TS+ES	4,20 m - Yellow - DIN	1
	VT0006963	Push buttons box + cable + plug - 2 HS+2TS+ES	4,70 m - Yellow - DIN	1
	VT0006964	Push buttons box + cable + plug - 2 HS+2TS+ES	5,20 m - Yellow - DIN	1
	VT0006965	Push buttons box + cable + plug - 2 HS+2TS+ES	5,70 m - Yellow - DIN	1

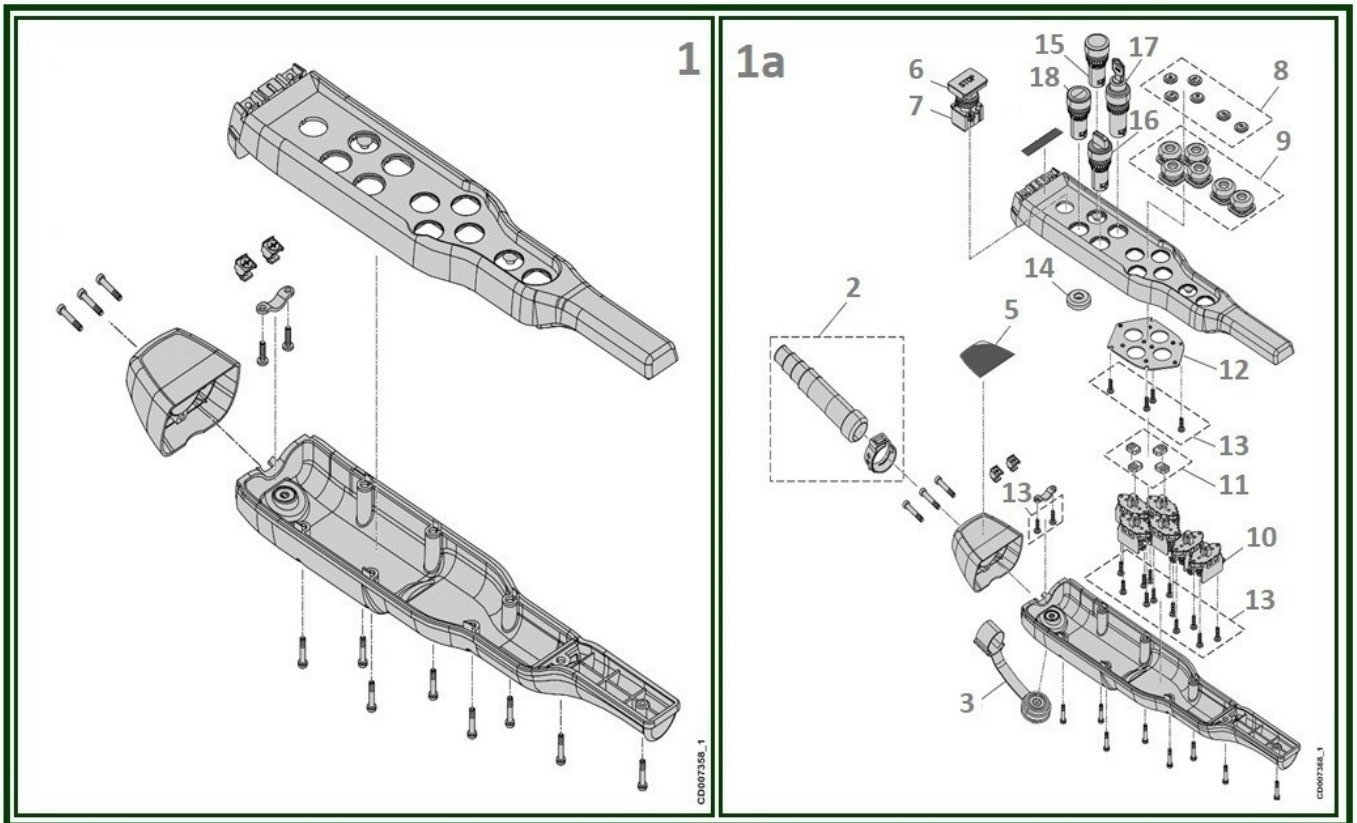
6.5. 6 buttons ERGOMOVE – From September 2014



6 buttons ERGOMOVE - From September 2014

Item	Reference	Description	Observation	Quantity
1	<u>VT0007106</u>	Pendant controller body	Yellow	1
1a	<u>VT0013522</u>	Complete pendant controller		1
2	<u>VT0007149</u>	Cable bushing		1
3	<u>VT0010787</u>	Magnet		1
5	<u>VT0007148</u>	Sticker	Logo	1
6	<u>VT0010757</u>	Emergency stop button		1
7	<u>VT0010788</u>	Contact block		1
8	<u>VT0007147</u>	Stickers - Direction symbols	ANSI	1
8	<u>VT0007145</u>	Stickers - Direction symbols	DIN	1
8	<u>VT0007146</u>	Stickers - Direction symbols	FIN	1
9	<u>VT0007102</u>	Push button		1
10	<u>VT0013419</u>	Contact block -2 steps	Crane and Trolley control (Foward/Backward and Right/Left)	1
10	<u>VT0007100</u>	Contact block -2 steps	Hoisting control (Up and Down)	1
11	<u>VT0007101</u>	Push button		1
12	<u>VT0007103</u>	Shape plate		1
13	<u>VT0007150</u>	Screws set		1

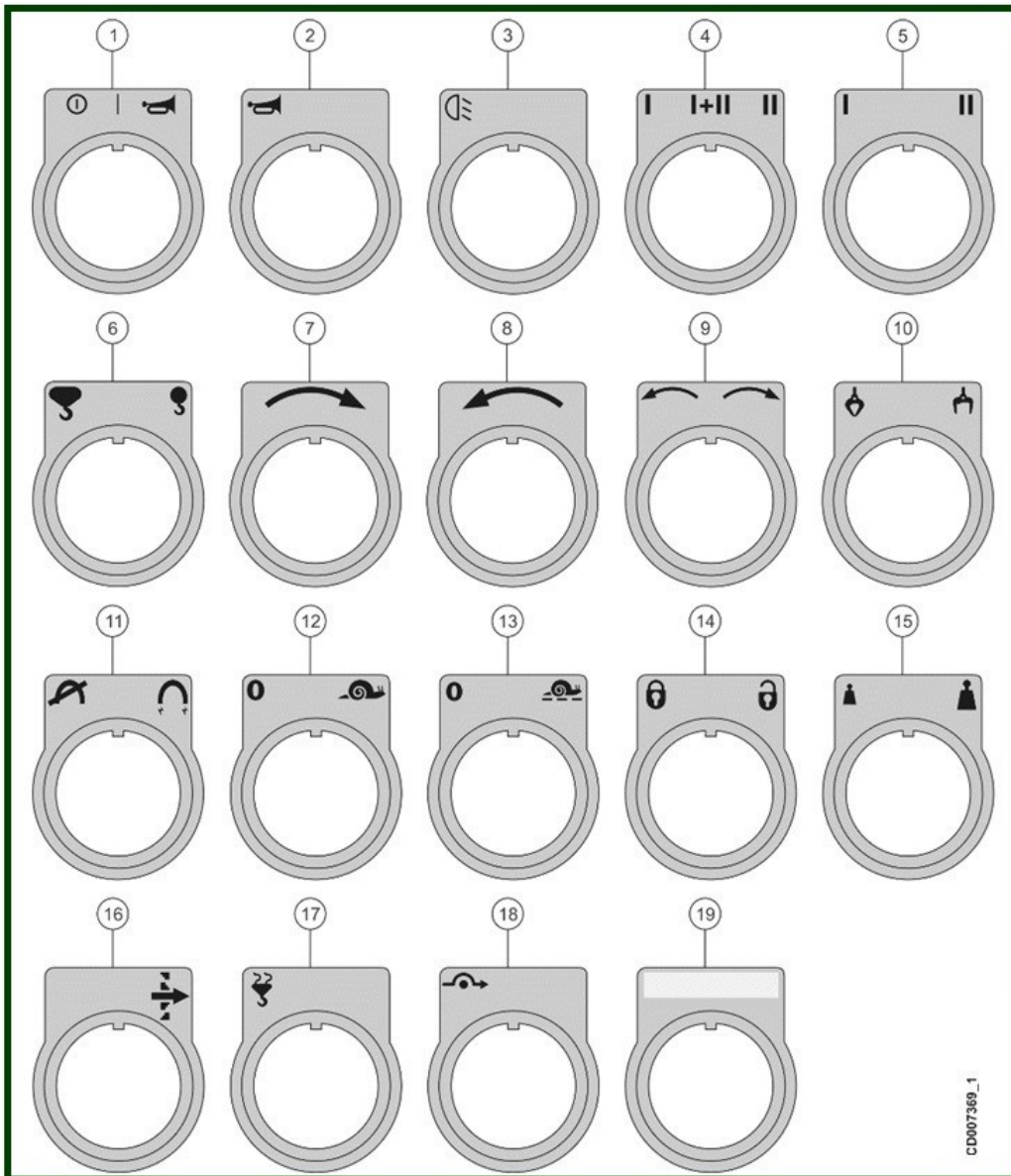
6.6. 10 buttons ERGOMOVE – From September 2014



10 buttons ERGOMOVE – From September 2014

Item	Reference	Description	Observation	Quantity
1	VT0007107	Pendant controller body	Yellow	1
1a	VT0013416	Complete pendant controller	Yellow	1
2	VT0007149	Cable bushing		1
3	VT0010787	Magnet		1
5	VT0007148	Sticker	Logo	1
6	VT0010757	Emergency stop button		1
7	VT0010788	Contact block		1
8	VT0007147	Stickers - Direction symbols	ANSI	1
8	VT0007145	Stickers - Direction symbols	DIN	1
8	VT0007146	Stickers - Direction symbols	FIN	1
9	VT0007102	Push button		1
10	VT0013419	Contact block – 2 steps	Crane and Trolley control (Foward/Backward and Right/Left)	4
10	VT0007100	Contact block – 2 steps	Hoisting control (Up and Down)	2
11	VT0007101	Push button		1
12	VT0007103	Shape plate		1
13	VT0007150	Screws set		1
14	VT0007109	Blanking plug		1
15	VT0007110	Push button		1
16	VT0010760	Selector without spring return to center	Switch 1-0-2	1
16	VT0010797	Selector switch	Switch 0-1	1
16	VT0007113	Selector switch	Switch 1-1+2-2	1
16	VT0007114	Selector switch	Switch 1-2	1
16	VT0010796	Selector switch with spring return to center	Switch 1-0-2	1
17	VT0010798	Position Key Selector	Switch 0-1	1
18	VT0010791	Pilot lamp 115 – Green		1
18	VT0010792	Pilot lamp 115V - Red		1
18	VT0010793	Pilot lamp 115V – Yellow		1
18	VT0010794	Pilot lamp 230V - Green		1
18	VT0010759	Pilot lamp 230V - Red		1
18	VT0010795	Pilot lamp 230V - Yellow		1
18	VT0010789	Pilot lamp - 48V - Green		1
18	VT0010758	Pilot lamp - 48V – Red		1
18	VT0010790	Pilot lamp - 48V - Yellow		1

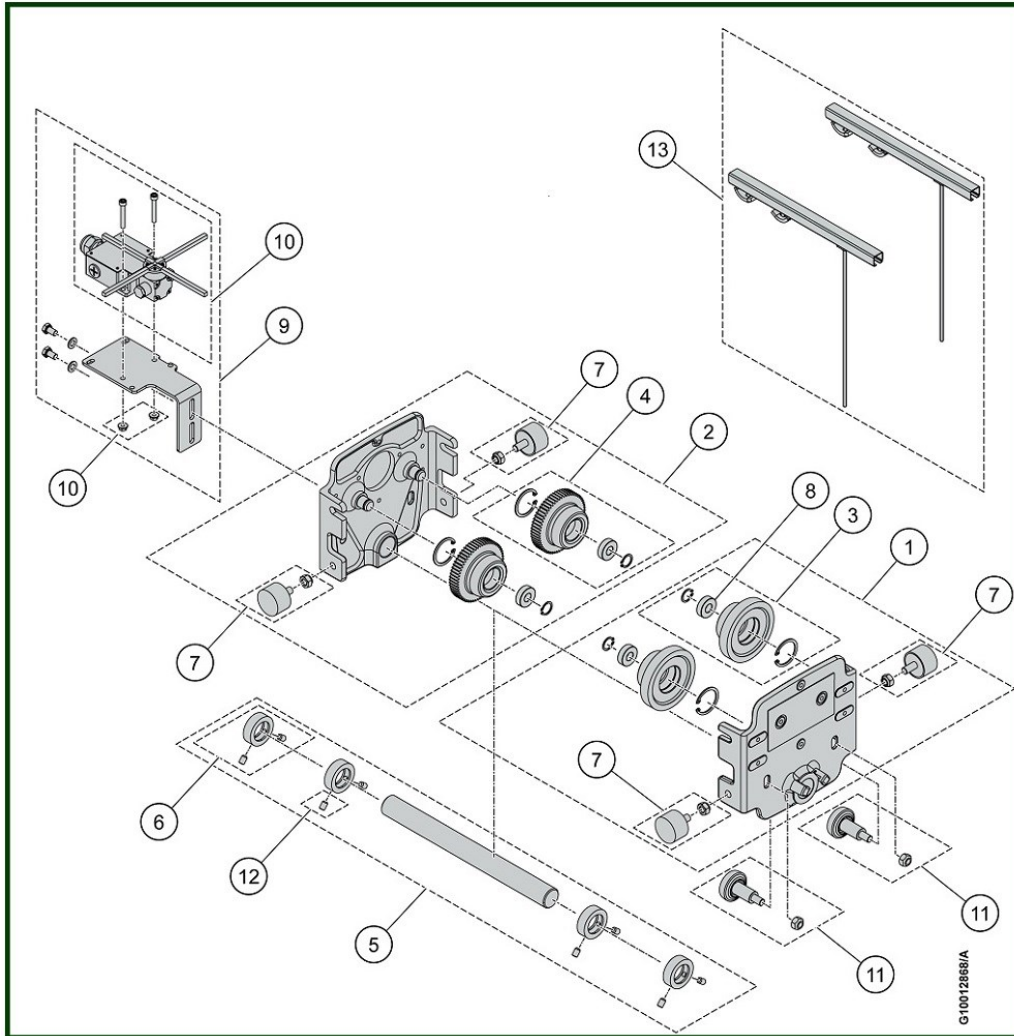
6.7. 10 buttons ERGOMOVE – Option pendant label



10 buttons ERGOMOVE – Option pendant label

Item	Reference	Description	Observation	Quantity
1	<u>VT0007126</u>	Pendant label - Start + Horn		1
2	<u>VT0007127</u>	Pendant label - Horn		1
3	<u>VT0007128</u>	Pendant label - Light		1
4	<u>VT0007129</u>	Pendant label - Hoist selector I,I+II, II		1
5	<u>VT0007130</u>	Pendant label - Hoist selector I, II		1
6	<u>VT0007131</u>	Pendant label - Hook selection		1
7	<u>VT0007132</u>	Pendant label - Rotate right		1
8	<u>VT0007133</u>	Pendant label - Rotate left		1
9	<u>VT0007134</u>	Pendant label - Rotate left / light		1
10	<u>VT0007135</u>	Pendant label - Close and open		1
11	<u>VT0007136</u>	Pendant label - Magnet OFF / On		1
12	<u>VT0007137</u>	Pendant label - Microspeed		1
13	<u>VT0007138</u>	Pendant label - Microspeed		1
14	<u>VT0007139</u>	Pendant label - Lock / unlock		1
15	<u>VT0007140</u>	Pendant label - Load limiter		1
16	<u>VT0007141</u>	Pendant label - Restricted area		1
17	<u>VT0007142</u>	Pendant label - Slack rope		1
18	<u>VT0007143</u>	Pendant label - Bypass		1
19	<u>VT0007144</u>	Blank pendant label		1

7. CHARIOT CHVX10



Element	Reference	Description	Observation	Quantity
1	VT0012816	Side plate assembly idle		1
2	VT0012817	Side plate assembly driving		1
3	VT0007061	Set of travel wheels - idle		1
4	VT0007063	Set of travel wheels - motor		1
5	VT0012818	Cross bar	200 mm	1
5	VT0012819	Cross bar	310 mm	1
6	VT0012820	Setting ring		1
7	VT0012821	Buffer		1
8	VT0012822	Bearing		1
9	VT0012824	Limit switch + Fixing plate		1
10	VT0012825	Limit switch		1
11	VT0012826	Support roller		1
12	VT0013881	Screw set		1
13	VT0009508	Limit switch activator		1

