

SPARE PARTS VX10 - Since October 2019

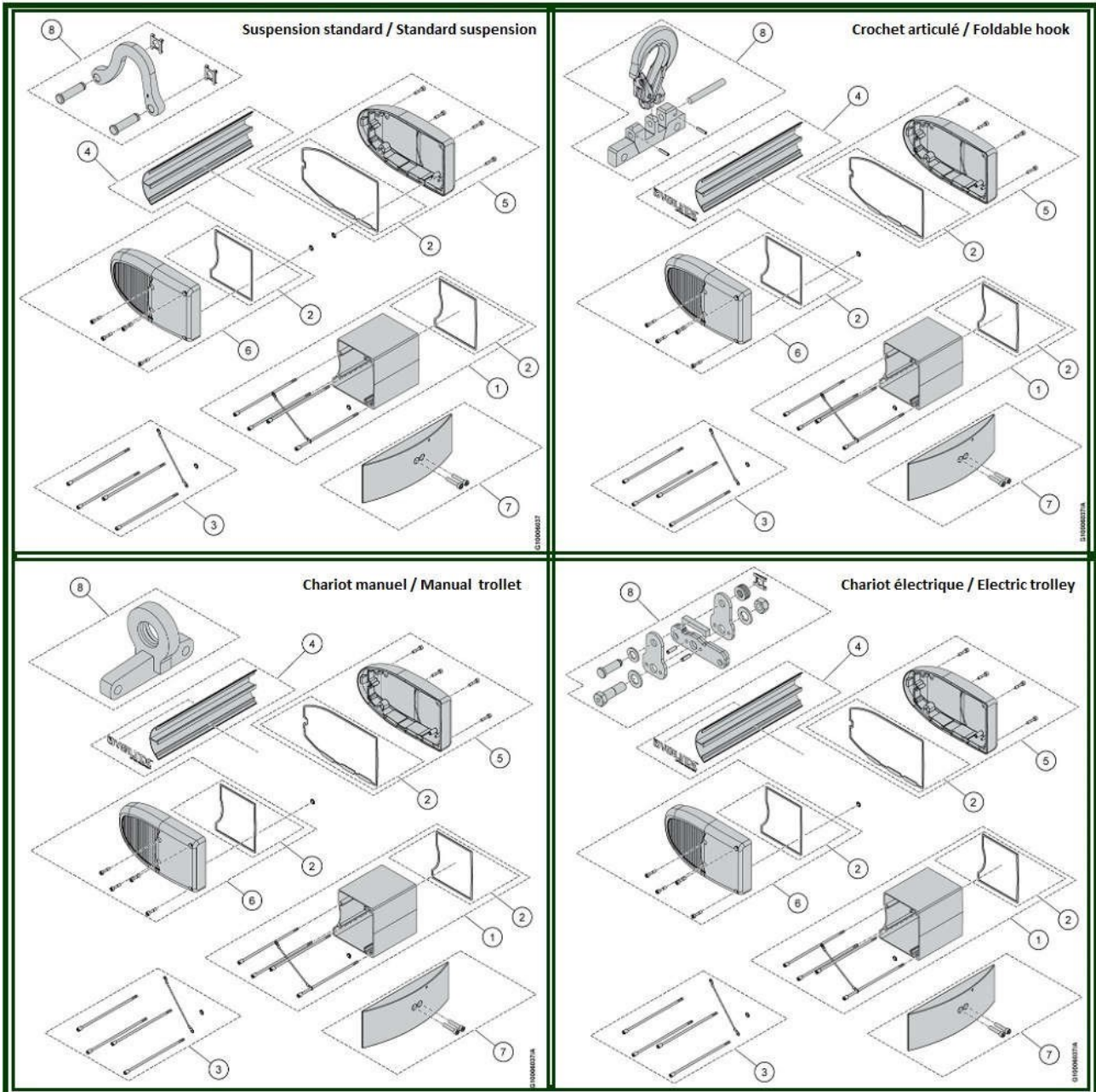
To avoid errors, when ordering please specify:

- Complete type of hoist
- Date of manufacture and serial number
- Spare part code
- Spare part designation
- Additional information

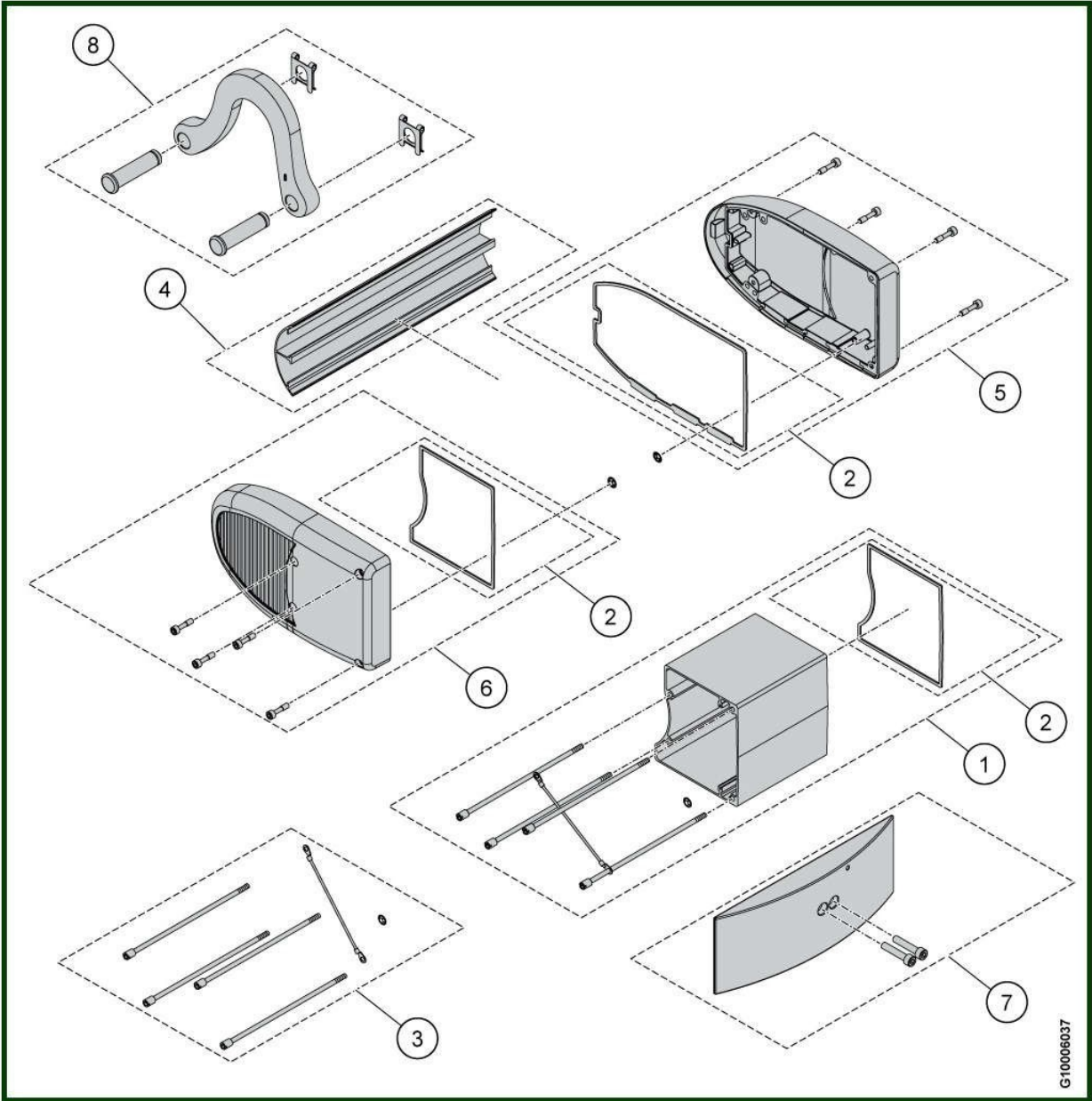


1. FRAME	3
1.1. Standard suspension	4
1.2. Foldable hook.....	6
1.3. Manual trolley.....	8
1.4. Electric trolley	10
2. CHAIN GUIDE.....	12
2.1. Stainless steel hook – 1 fall	13
2.2. Stainless steel hook – 2 falls.....	15
2.3. Standard hook - 1 fall	17
2.4. Standard hook - 2 falls.....	19
2.5. Automatic hook - 1 fall.....	21
2.6. Automatic hook - 2 falls	23
3. GEAR.....	25
3.1. Gear - Options	27
4. MOTOR	28
5. ELECTRICAL PARTS	30
5.1. Solo equipment – Standard.....	30
6. PUSH BUTTONS.....	33
6.1. 2 buttons	34
6.2. 4 buttons	36
6.3. 6 buttons	38
6.4. 2 and 4 buttons ERGOMOVE- From September 2014	40
6.5. 6 buttons ERGOMOVE – From September 2014.....	43
6.6. 10 buttons ERGOMOVE – From September 2014.....	45
6.7. 10 buttons ERGOMOVE – Option pendant label	47
7. CHVX32 TROLLEY	49
8. STEPLESS TMU MOTOR	51

1. FRAME



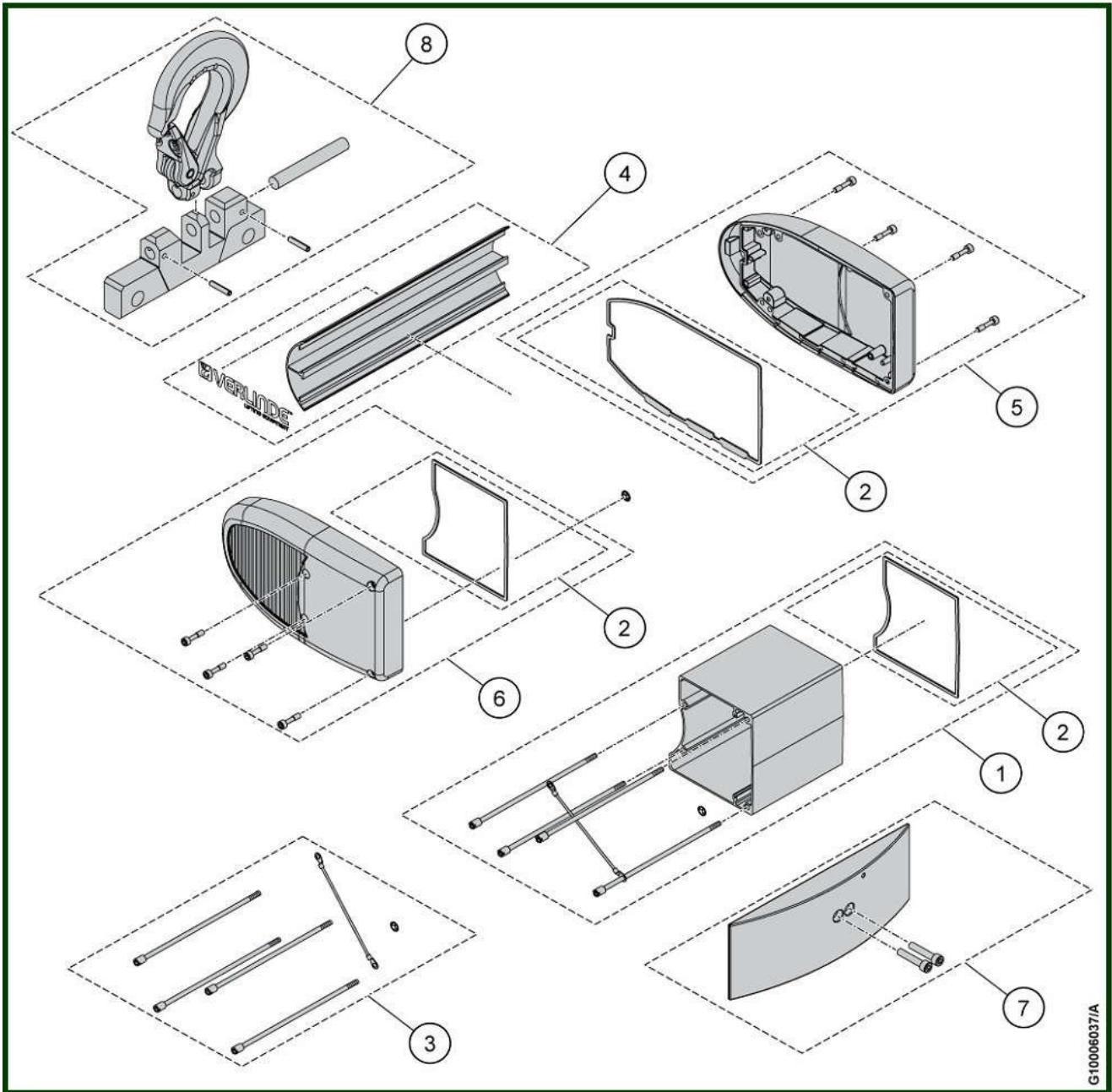
1.1. Standard suspension



Standard suspension

Item	Reference	Description	Observation	Quantity
1	<u>VT0013076</u>	Housing module		1
2	<u>VT0009304</u>	Sealings set		1
3	<u>VT0013078</u>	Screw set		1
4	<u>VT0013943</u>	Cover set - Front side	Extension 2 brakes	1
4	<u>VT0013081</u>	Cover set - Front side		1
5	<u>VT0013685</u>	Cover set - Brake side		1
6	<u>VT0013084</u>	Cover set - Motor side		1
7	<u>VT0013086</u>	Counterweight		1
8	<u>VT0013684</u>	Long suspension	Standard	1
-	<u>VT0013961</u>	Rain cover		1
-	<u>VT0013962</u>	Rain cover	Extension 2 brakes	1

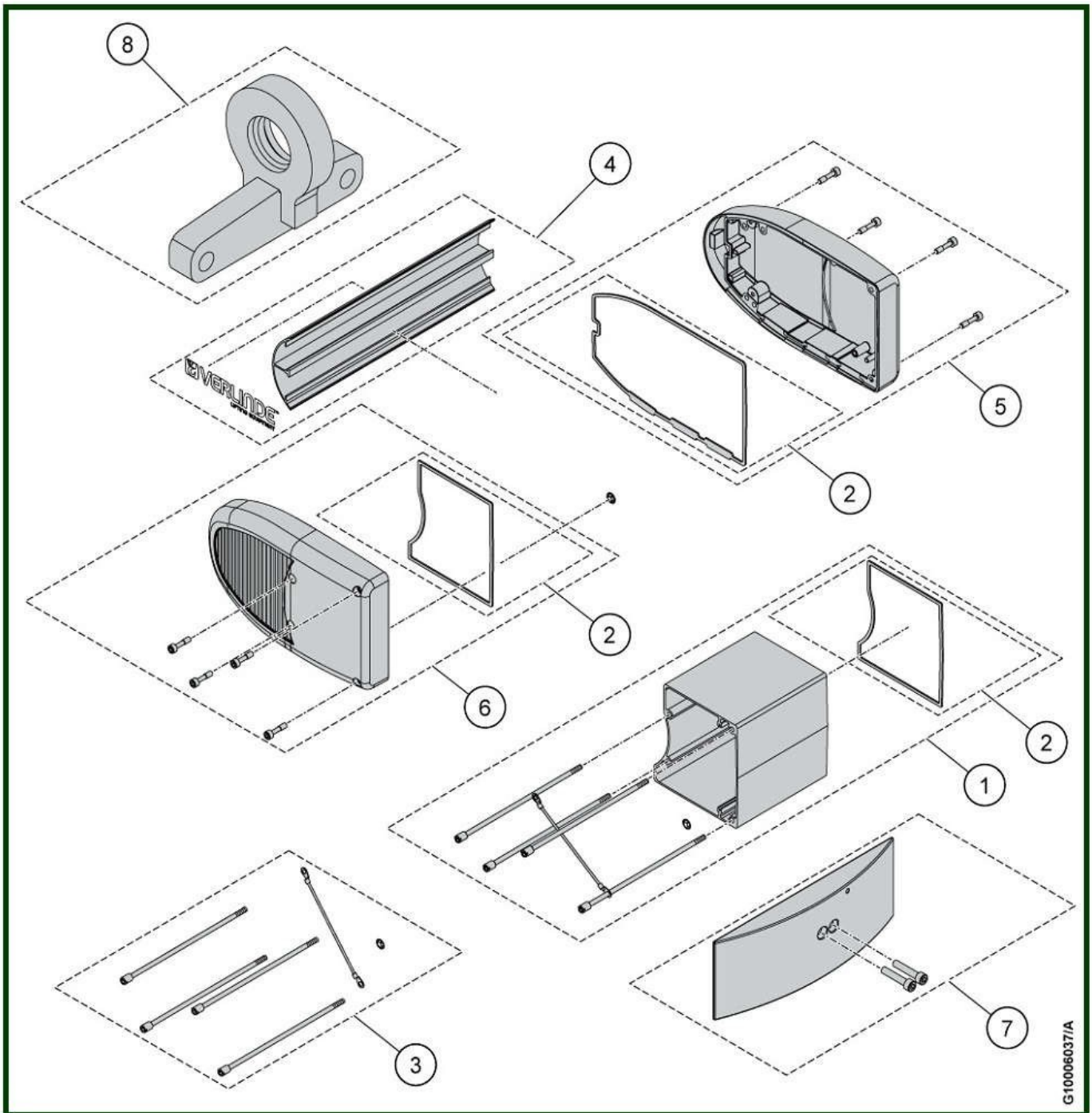
1.2. Foldable hook



Foldable hook

Item	Reference	Description	Observation	Quantity
1	<u>VT0013076</u>	Housing module		1
2	<u>VT0009304</u>	Sealings set		1
3	<u>VT0013078</u>	Screw set		1
4	<u>VT0013943</u>	Cover set - Front side	Extension - 2 brakes	1
4	<u>VT0013081</u>	Cover set - Front side		1
5	<u>VT0013685</u>	Cover set - Brake side		1
6	<u>VT0013084</u>	Cover set - Motor side		1
7	<u>VT0013086</u>	Counterweight		1
8	<u>VT0013963</u>	Upper Suspension	Foldable hook	1
-	<u>VT0013961</u>	Rain cover		1
-	<u>VT0013962</u>	Rain cover	Extension - 2 brakes	1

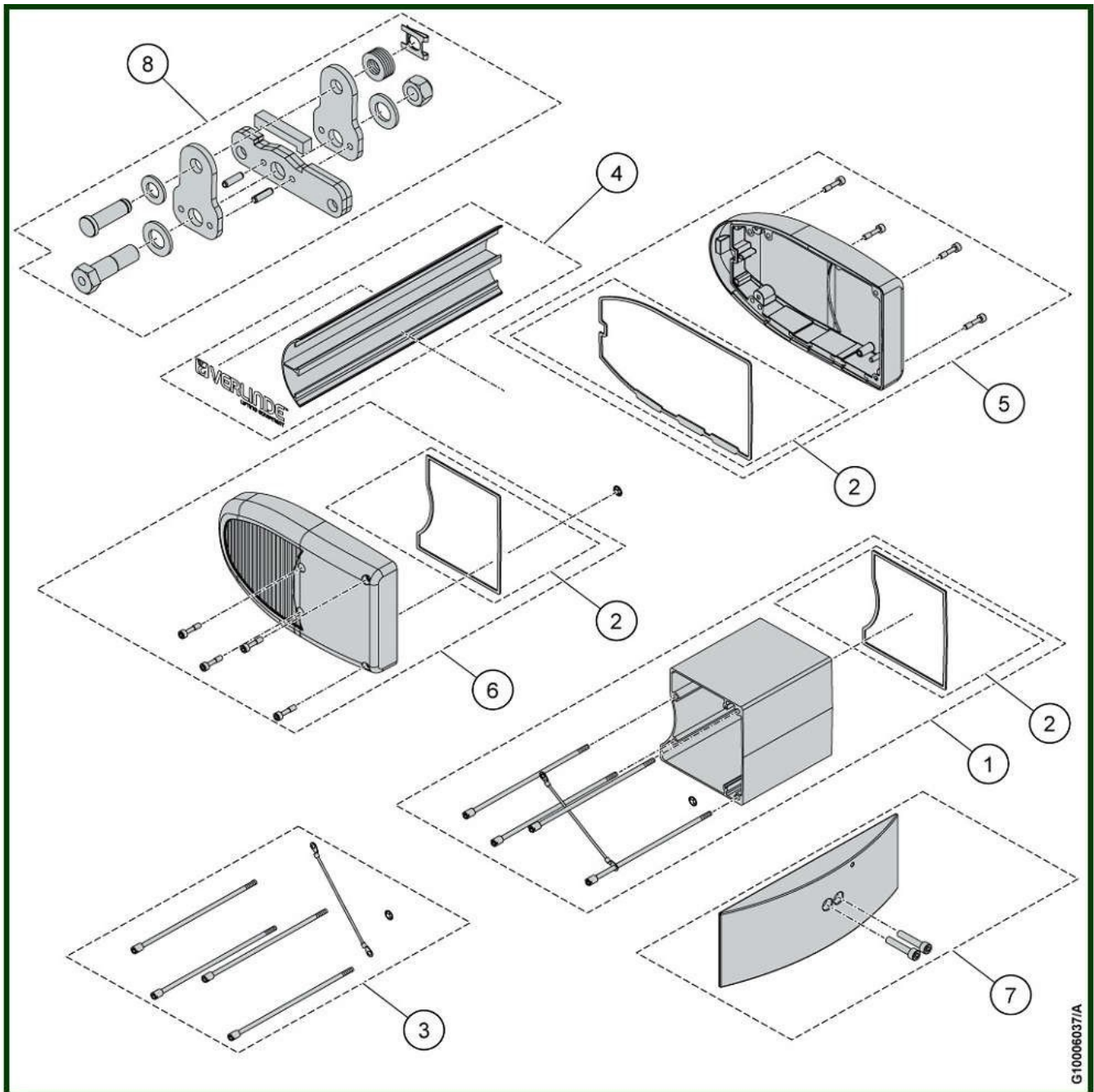
1.3. Manual trolley



Manual trolley

Item	Reference	Description	Observation	Quantity
1	<u>VT0013076</u>	Housing module		1
2	<u>VT0009304</u>	Sealings set		1
3	<u>VT0013078</u>	Screw set		1
4	<u>VT0013943</u>	Cover set - Front side	Extension 2 brakes	1
4	<u>VT0013081</u>	Cover set - Front side		1
5	<u>VT0013685</u>	Cover set - Brake side		1
6	<u>VT0013084</u>	Cover set - Motor side		1
7	<u>VT0013086</u>	Counterweight		1
8	<u>VT0013964</u>	Upper Suspension	Eye	1
-	<u>VT0013961</u>	Rain cover		1
-	<u>VT0013962</u>	Rain cover	Extension 2 brakes	1

1.4. Electric trolley

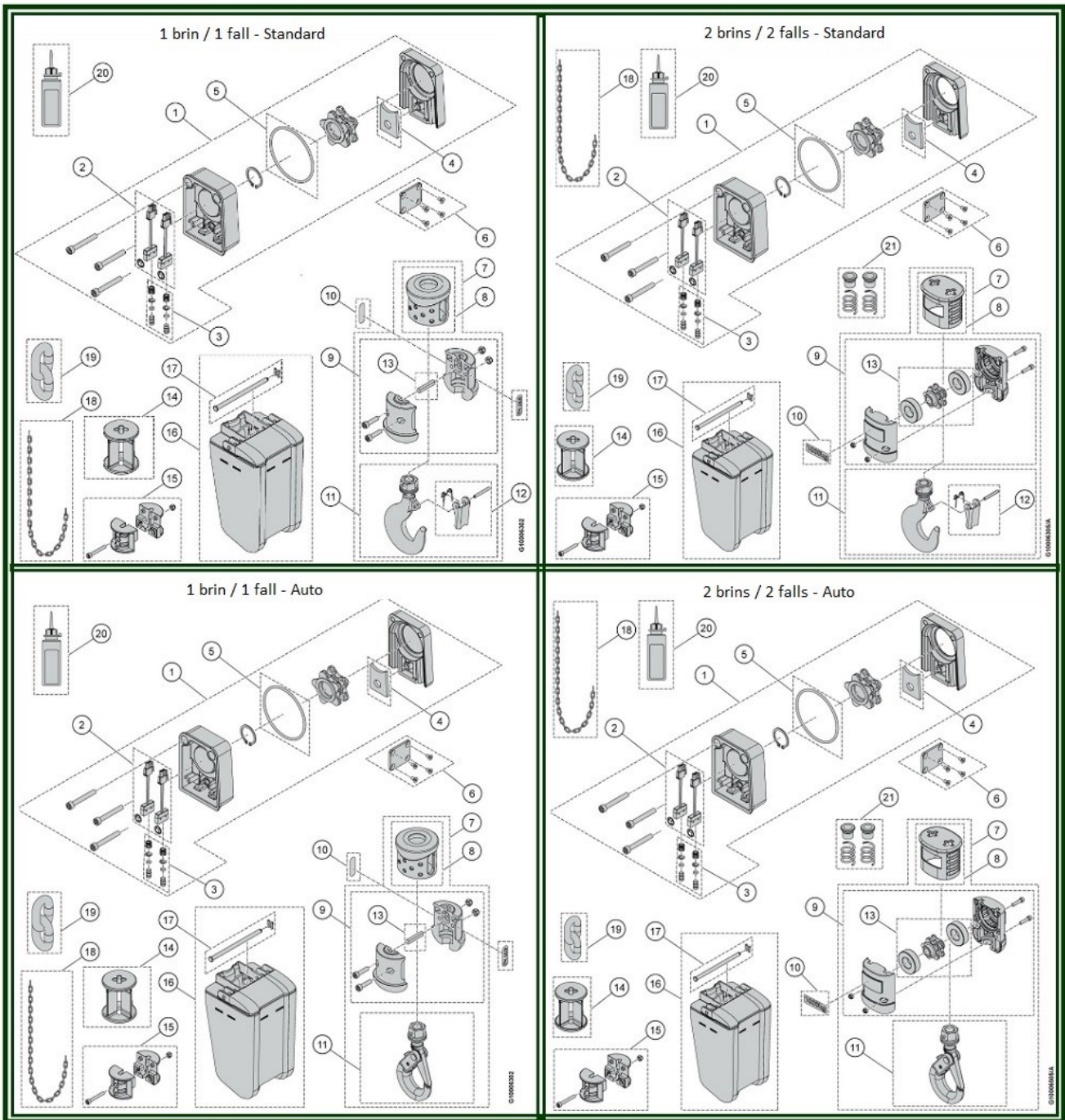


G10006037/A

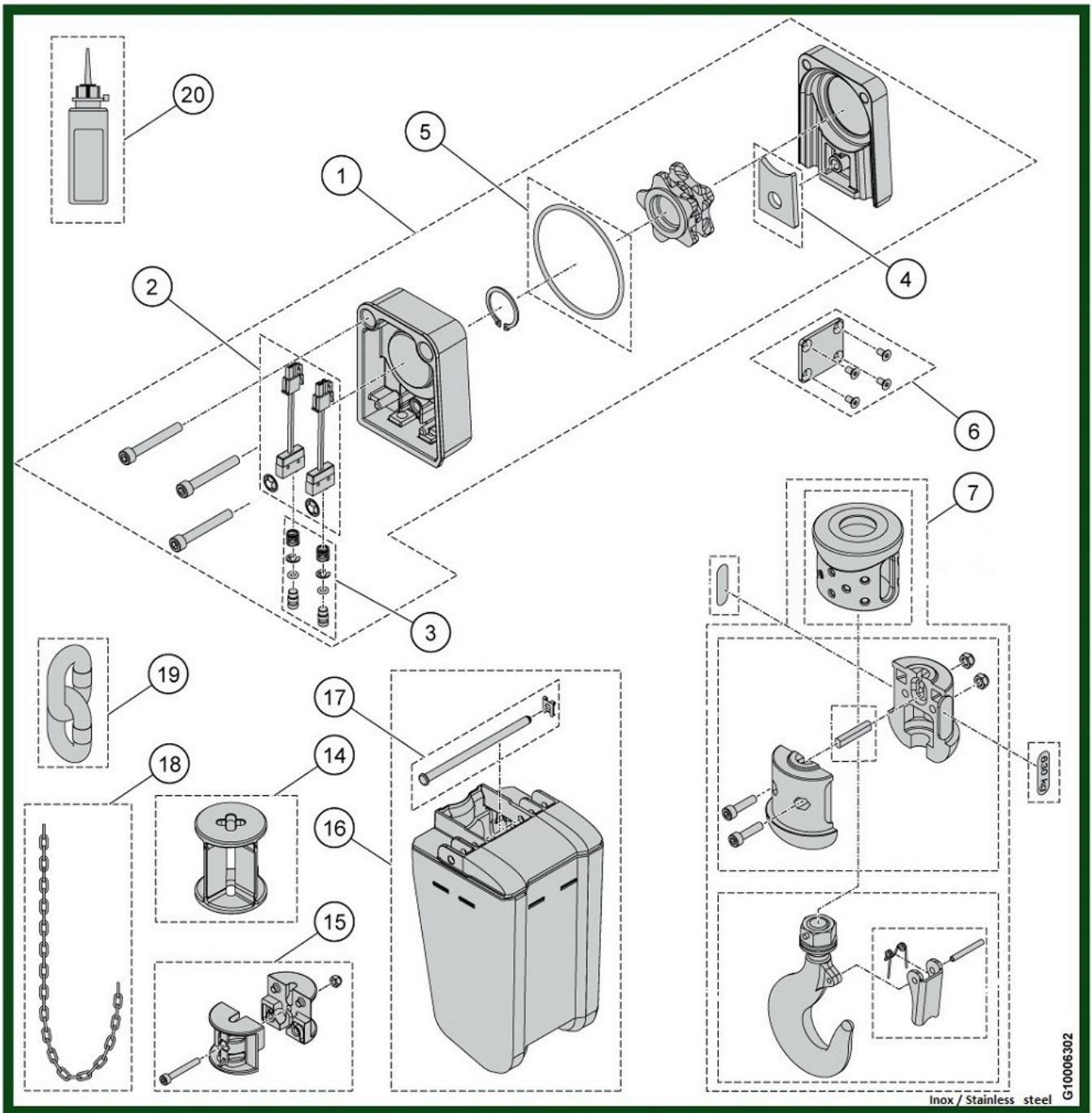
Electric trolley

Item	Reference	Description	Observation	Quantity
1	<u>VT0013076</u>	Housing module		1
2	<u>VT0009304</u>	Sealings set		1
3	<u>VT0013078</u>	Screw set		1
4	<u>VT0013943</u>	Cover set - Front side	Extension 2 brakes	1
4	<u>VT0013081</u>	Cover set - Front side		1
5	<u>VT0013685</u>	Cover set - Brake side		1
6	<u>VT0013084</u>	Cover set - Motor side		1
7	<u>VT0013086</u>	Counterweight		1
8	<u>VT0013964</u>	Upper Suspension	Eye	1
-	<u>VT0013961</u>	Rain cover		1
-	<u>VT0013962</u>	Rain cover	Extension 2 brakes	1

2. CHAIN GUIDE



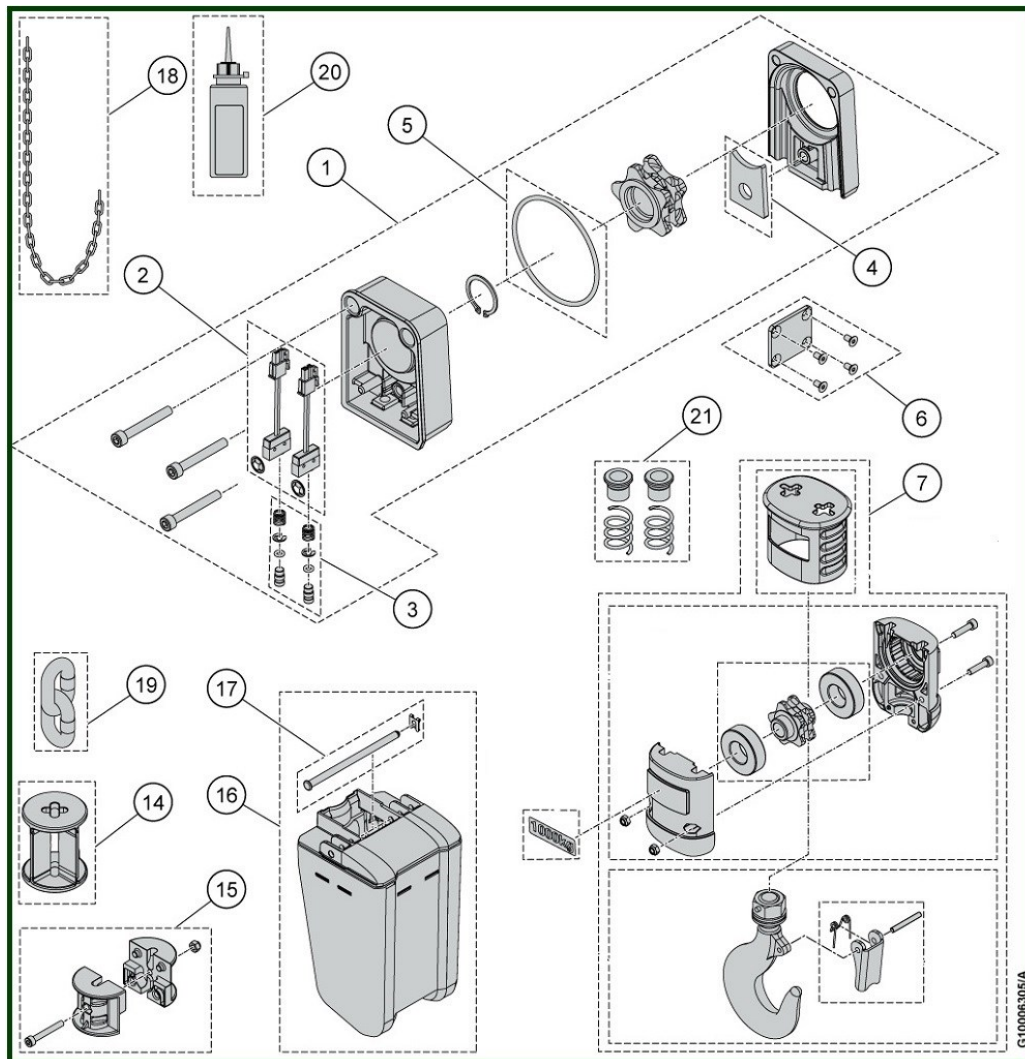
2.1. Stainless steel hook – 1 fall



Stainless steel hook – 1 fall

Item	Reference	Description	Observation	Quantity
1	<u>VT0013087</u>	Chain guide		1
2	<u>VT0012526</u>	Switch set		1
3	<u>VT0012527</u>	Activator switch		1
4	<u>VT0013090</u>	Chain ejector		1
5	<u>VT0013091</u>	Round seal		1
6	<u>VT0013092</u>	Cap assembly		1
7	<u>VT0014962</u>	Hook block - Stainless steel	1 fall	1
14	<u>VT0013140</u>	Activator buffer		1
15	<u>VT0013100</u>	Chain stop		1
16	<u>VT0013142</u>	Chain bucket	6m	1
16	<u>VT0013143</u>	Chain bucket	16 m	1
17	<u>VT0013116</u>	Fixing set		1
18	<u>VT0013119</u>	Chain 7,2x21,1	DAT	1
18	<u>VT0013986</u>	Chain 7,2x21,1	Stainless steel	1
18	<u>VT0013118</u>	Chain 7,2x21,1	T	1
18	<u>VT0014881</u>	Precut chain 7,2x21,1	3,5 m	1
18	<u>VT0014882</u>	Precut chain 7,2x21,1	5 m	1
18	<u>VT0014883</u>	Precut chain 7,2x21,1	10 m	1
19	<u>VT0013216</u>	Chain link		1
20	<u>VT0006025</u>	Oil can		1

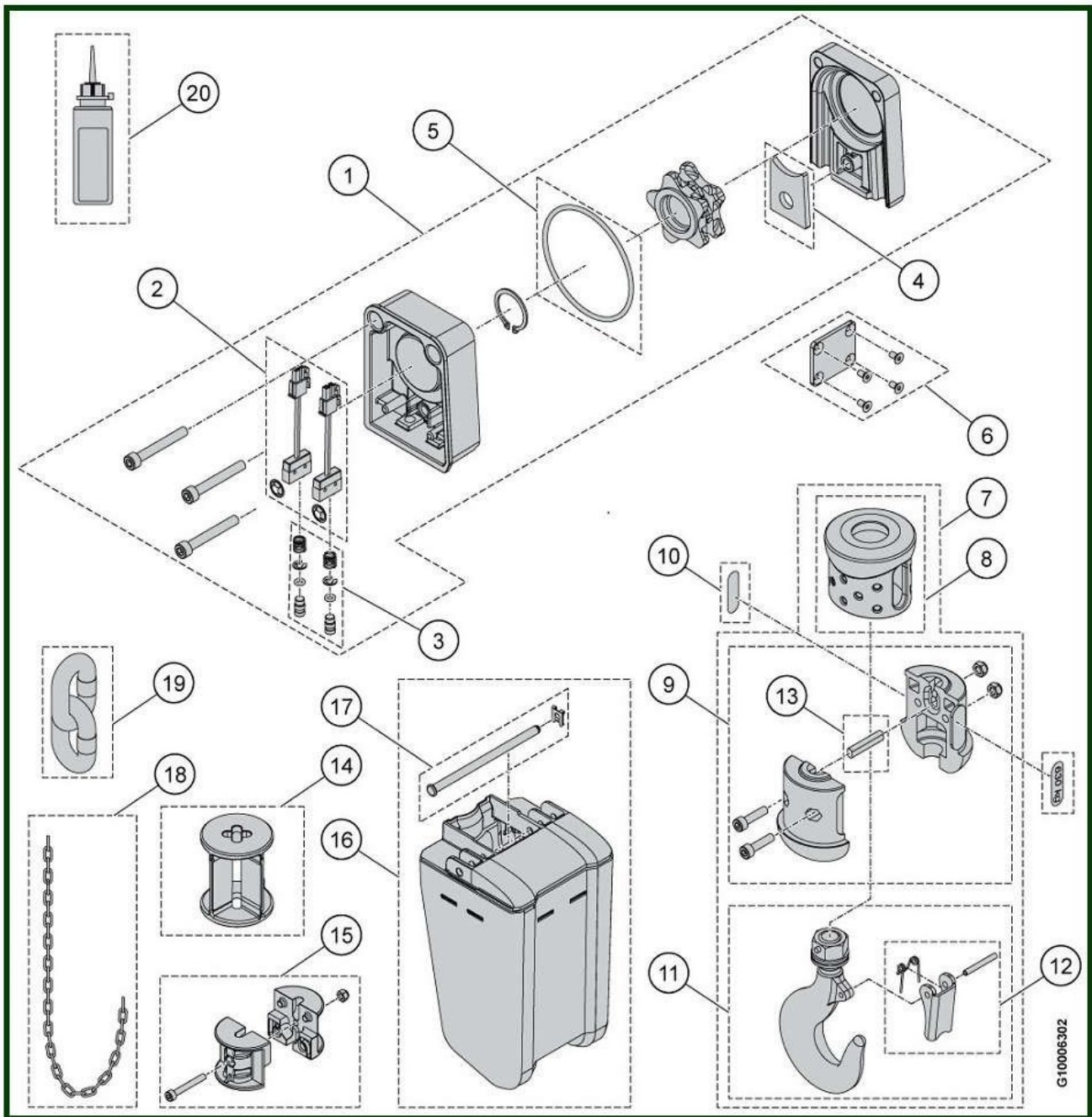
2.2. Stainless steel hook – 2 falls



Stainless steel hook – 2 falls

Item	Reference	Description	Observation	Quantity
1	<u>VT0013087</u>	Chain guide		1
2	<u>VT0012526</u>	Switch set		1
3	<u>VT0012527</u>	Activator switch		1
4	<u>VT0013090</u>	Chain ejector		1
5	<u>VT0013091</u>	Round seal		1
6	<u>VT0013092</u>	Cap assembly		1
7	<u>VT0013955</u>	Complete hook block - 2 falls	Stainless steel	1
14	<u>VT0013140</u>	Activator buffer		1
15	<u>VT0013100</u>	Chain stop		1
16	<u>VT0013142</u>	Chain bucket	6m	1
16	<u>VT0013143</u>	Chain bucket	16 m	1
17	<u>VT0013116</u>	Fixing set		1
18	<u>VT0013119</u>	Chain 7,2x21,1	DAT	1
18	<u>VT0013986</u>	Chain 7,2x21,1	Stainless steel	1
18	<u>VT0013118</u>	Chain 7,2x21,1	T	1
18	<u>VT0014881</u>	Precut chain 7,2x21,1	3,5 m	1
18	<u>VT0014882</u>	Precut chain 7,2x21,1	5 m	1
18	<u>VT0014883</u>	Precut chain 7,2x21,1	10 m	1
19	<u>VT0013216</u>	Chain link		1
20	<u>VT0006025</u>	Oil can		1
21	<u>VT0008555</u>	Spring set		1

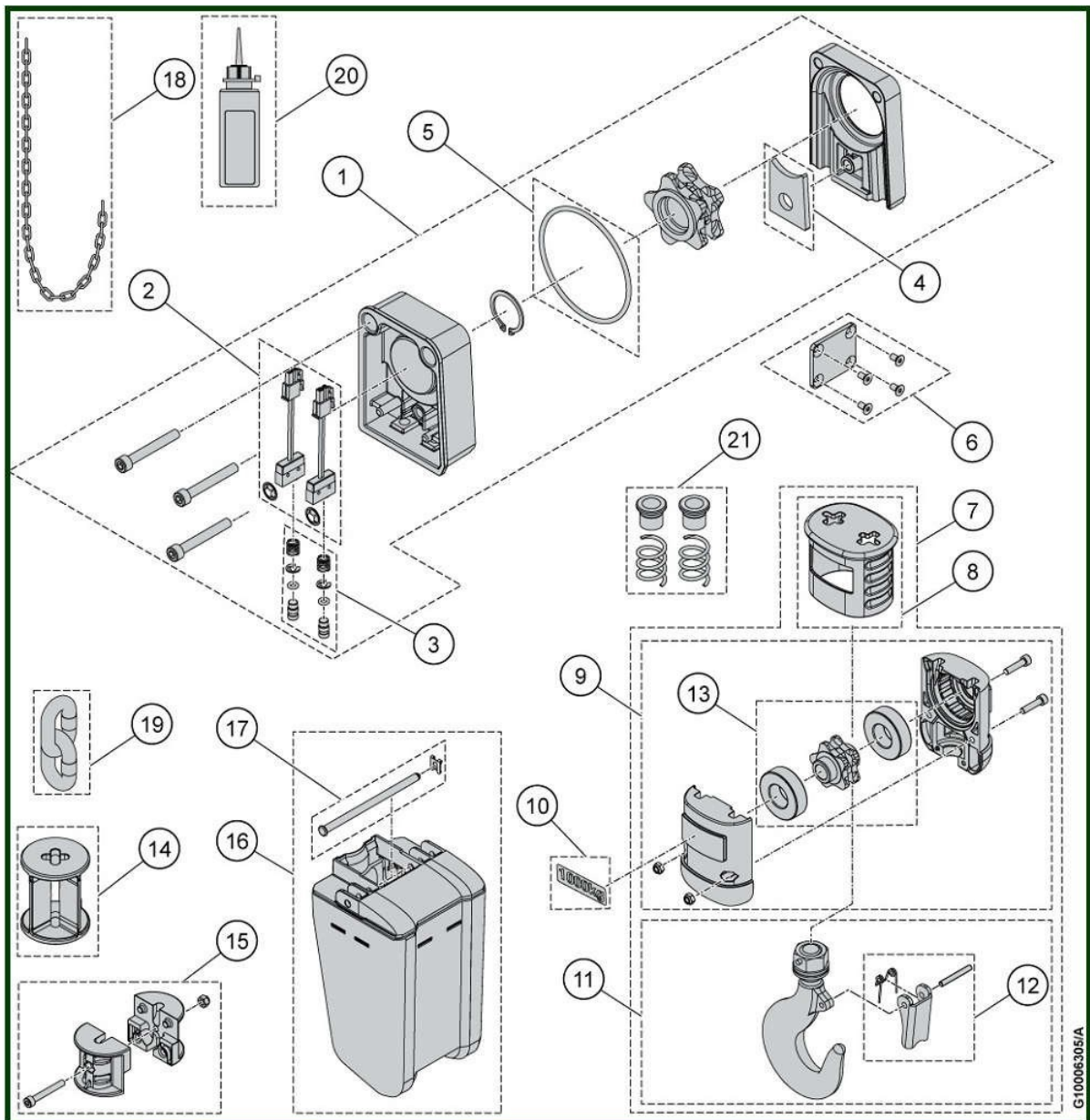
2.3. Standard hook - 1 fall



Standard hook – 1 fall

Item	Reference	Description	Observation	Quantity
1	<u>VT0013087</u>	Chain guide		1
2	<u>VT0012526</u>	Switch set		1
3	<u>VT0012527</u>	Activator switch		1
4	<u>VT0013090</u>	Chain ejector		1
5	<u>VT0013091</u>	Round seal		1
6	<u>VT0013092</u>	Cap assembly		1
7	<u>VT0013093</u>	Hook block	1 fall	1
8	<u>VT0013095</u>	Rubber chain stop	1 fall	1
9	<u>VT0013098</u>	Hook component	1 fall	1
10	<u>VT0007728</u>	Set of 10 load plates - Hook	1/2 TON	1
10	<u>VT0007729</u>	Set of 10 load plates - Hook	1 TON	1
10	<u>VT0005857</u>	Set of 10 load plates - Hook	500 kg	1
10	<u>VT0005858</u>	Set of 10 load plates - Hook	630 kg	1
10	<u>VT0005859</u>	Set of 10 load plates - Hook	1000 kg	1
10	<u>VT0005860</u>	Set of 10 load plates - Hook	1250 kg	1
11	<u>VT0005861</u>	Standard hook	1 fall	1
12	<u>VT0005903</u>	Safety latch	Standard hook	1
13	<u>VT0006371</u>	Pin	1 fall	1
14	<u>VT0013140</u>	Activator buffer		1
15	<u>VT0013100</u>	Chain stop		1
16	<u>VT0013142</u>	Chain bucket	6m	1
16	<u>VT0013143</u>	Chain bucket	16 m	1
17	<u>VT0013116</u>	Fixing set		1
18	<u>VT0013119</u>	Chain 7,2x21,1	DAT	1
18	<u>VT0013118</u>	Chain 7,2x21,1	T	1
18	<u>VT0014881</u>	Precut chain 7,2x21,1	3,5 m	1
18	<u>VT0014882</u>	Precut chain 7,2x21,1	5 m	1
18	<u>VT0014883</u>	Precut chain 7,2x21,1	10 m	1
19	<u>VT0013216</u>	Chain link		1
20	<u>VT0006025</u>	Oil can		1

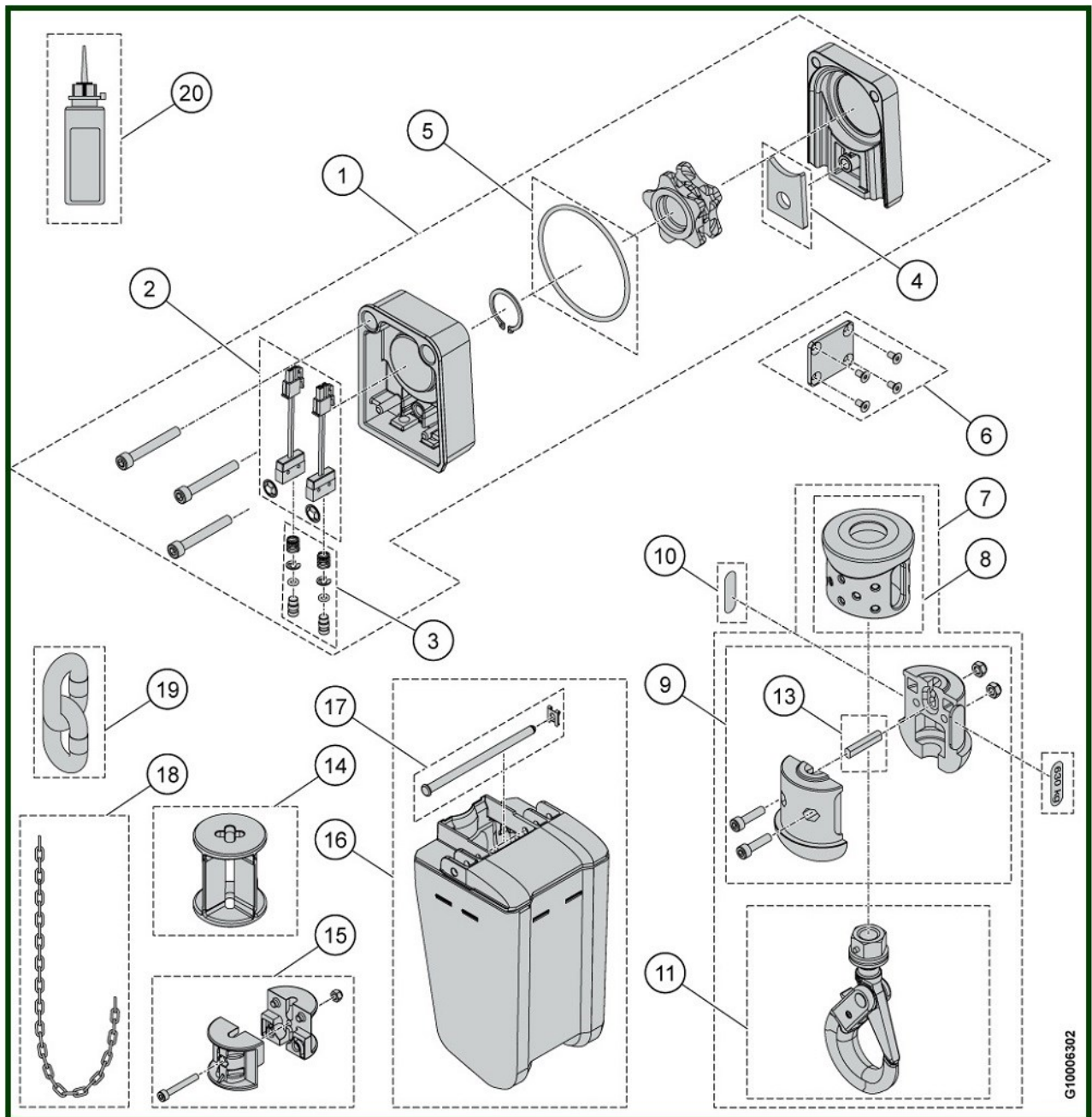
2.4. Standard hook - 2 falls



Standard hook – 2 falls

Item	Reference	Description	Observation	Quantity
1	<u>VT0013087</u>	Chain guide		1
2	<u>VT0012526</u>	Switch set		1
3	<u>VT0012527</u>	Activator switch		1
4	<u>VT0013090</u>	Chain ejector		1
5	<u>VT0013091</u>	Round seal		1
6	<u>VT0013092</u>	Cap assembly		1
7	<u>VT0013094</u>	Hook block	2 falls	1
8	<u>VT0013096</u>	Rubber chain stop	2 falls	1
9	<u>VT0013099</u>	Hook component	2 falls	1
10	<u>VT0008131</u>	Set of 10 load plates - Hoist	1,5 TON	1
10	<u>VT0010486</u>	Set of 10 load plates - Hoist	2 TON	1
10	<u>VT0007738</u>	Set of 10 load plates - Hoist	2,5 TON	1
10	<u>VT0014091</u>	Set of 10 load plates - Hoist	1250 kg	1
10	<u>VT0014087</u>	Set of 10 load plates - Hoist	1600 kg	1
10	<u>VT0014083</u>	Set of 10 load plates - Hoist	2000 kg	1
10	<u>VT0014089</u>	Set of 10 load plates - Hoist	2500 kg	1
11	<u>VT0006600</u>	Standard hook	2 falls	1
12	<u>VT0005902</u>	Safety latch - 2 falls	Standard hook	1
13	<u>VT0013088</u>	Sprocket wheel	2 falls	1
14	<u>VT0013140</u>	Activator buffer		1
15	<u>VT0013100</u>	Chain stop		1
16	<u>VT0013142</u>	Chain bucket	6m	1
16	<u>VT0013143</u>	Chain bucket	16 m	1
17	<u>VT0013116</u>	Fixing set		1
18	<u>VT0013119</u>	Chain 7,2x21,1	DAT	1
18	<u>VT0013118</u>	Chain 7,2x21,1	T	1
18	<u>VT0014881</u>	Precut chain 7,2x21,1	3,5 m	1
18	<u>VT0014882</u>	Precut chain 7,2x21,1	5 m	1
18	<u>VT0014883</u>	Precut chain 7,2x21,1	10 m	1
19	<u>VT0013216</u>	Chain link		1
20	<u>VT0006025</u>	Oil can		1
21	<u>VT0008555</u>	Activator switch		1

2.5. Automatic hook - 1 fall

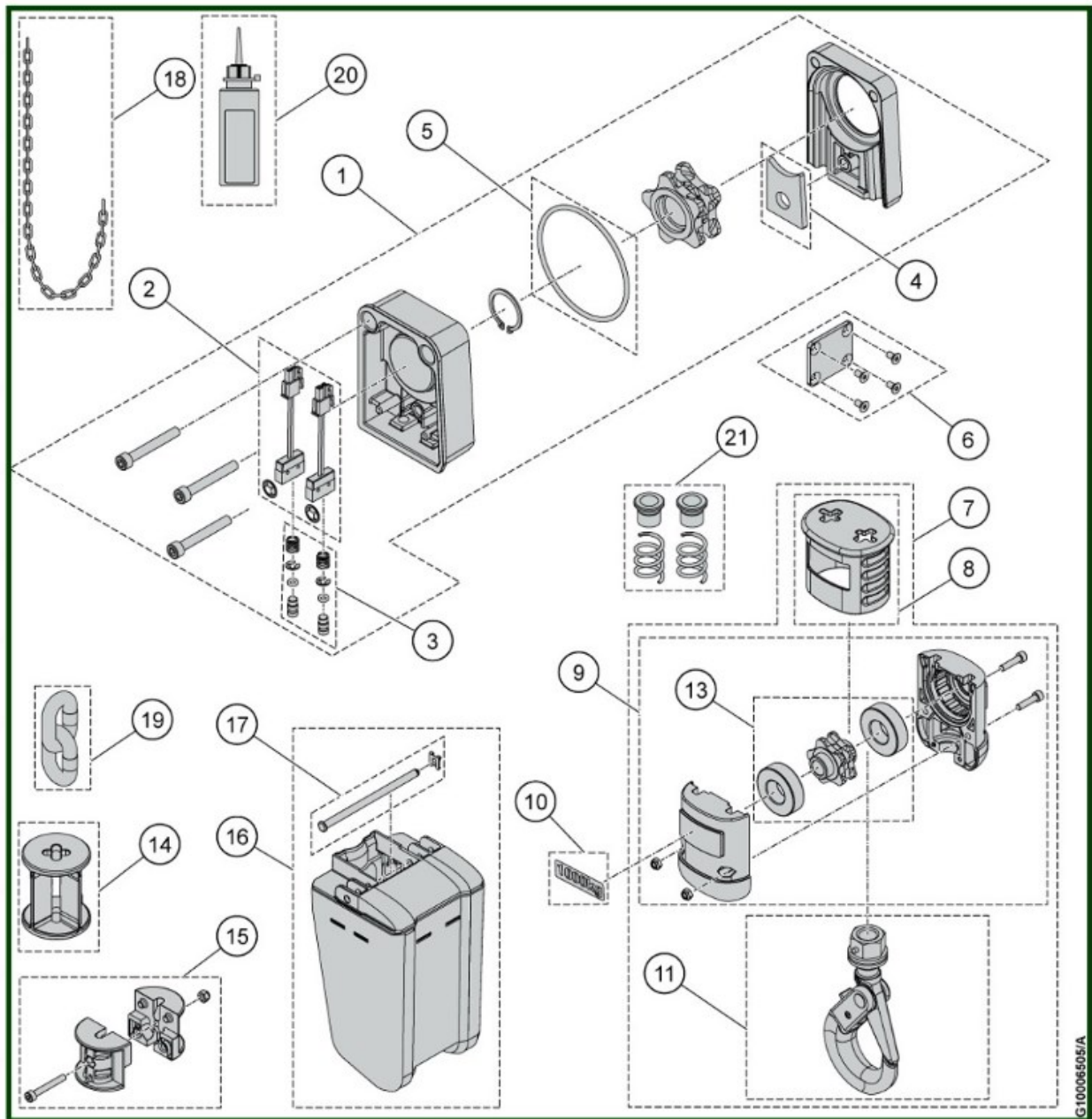


G110006302

Automatic hook - 1 fall

Item	Reference	Description	Observation	Quantity
1	VT0013087	Chain guide		1
2	VT0012526	Switch set		1
3	VT0012527	Activator switch		1
4	VT0013090	Chain ejector		1
5	VT0013091	Round seal		1
6	VT0013092	Cap assembly		1
7	VT0013953	Hook block - Safety hook	1 fall	1
8	VT0013095	Rubber chain stop	1 fall	1
9	VT0013098	Hook component	1 fall	1
10	VT0007728	Set of 10 load plates - Hoist	1/2 TON	1
10	VT0007729	Set of 10 load plates - Hoist	1 TON	1
10	VT0005857	Set of 10 load plates - Hoist	500 kg	1
10	VT0005858	Set of 10 load plates - Hoist	630 kg	1
10	VT0005859	Set of 10 load plates - Hoist	1000 kg	1
10	VT0005860	Set of 10 load plates - Hoist	1250 kg	1
11	VT0006486	Standard hook	1 fall	1
13	VT0006371	Pin	1 fall	1
14	VT0013140	Activator buffer		1
15	VT0013100	Chain stop		1
16	VT0013142	Chain bucket	6m	1
16	VT0013143	Chain bucket	16 m	1
17	VT0013116	Fixing set		1
18	VT0013119	Chain 7,2x21,1	DAT	1
18	VT0013118	Chain 7,2x21,1	T	1
18	VT0014881	Precut chain 7,2x21,1	3,5 m	1
18	VT0014882	Precut chain 7,2x21,1	5 m	1
18	VT0014883	Precut chain 7,2x21,1	10 m	1
19	VT0013216	Chain link		1
20	VT0006025	Oil can		1

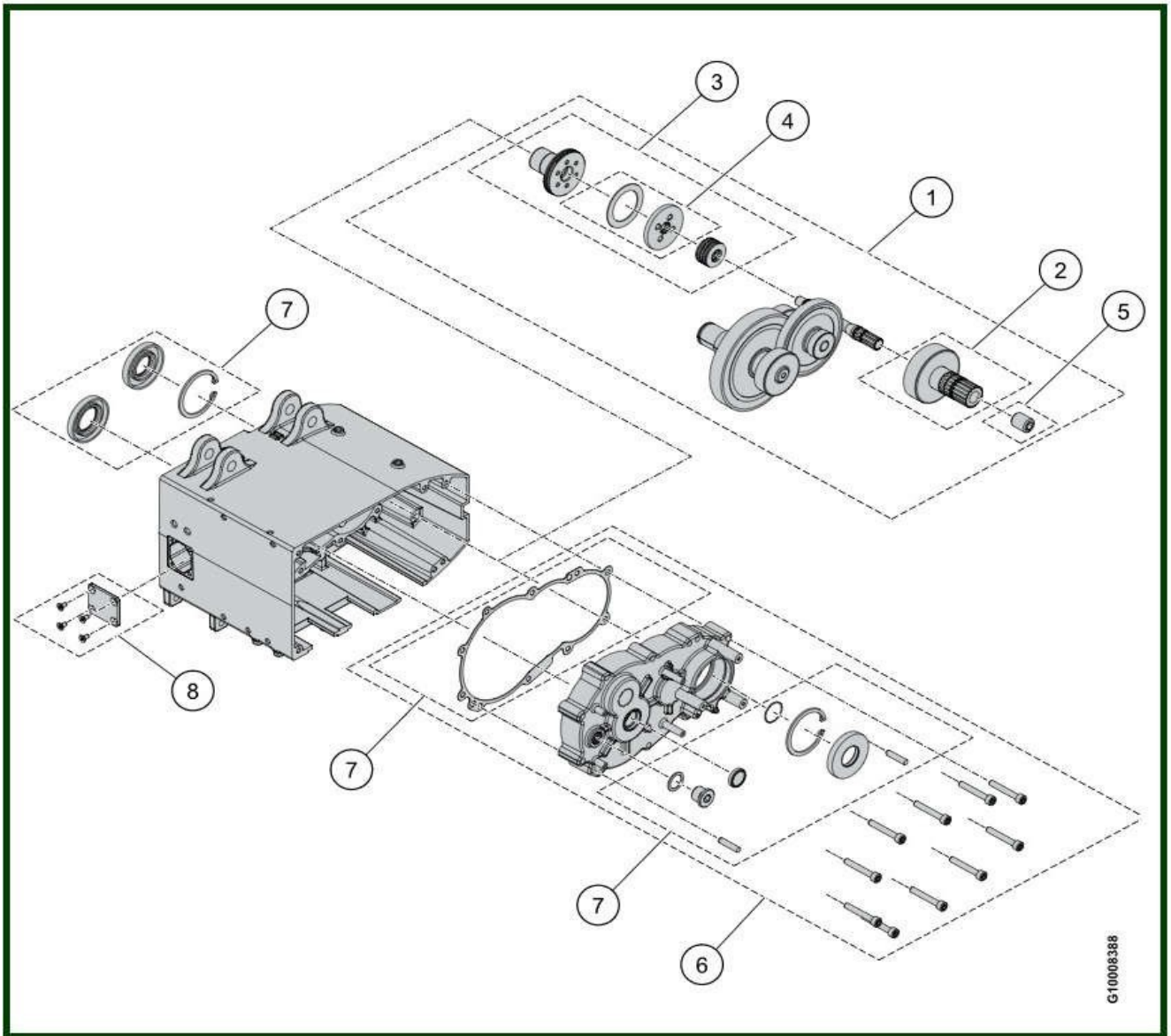
2.6. Automatic hook - 2 falls



Automatic hook – 2 falls

Item	Reference	Description	Observation	Quantity
1	VT0013087	Chain guide		1
2	VT0012526	Switch set		1
3	VT0012527	Activator switch		1
4	VT0013090	Chain ejector		1
5	VT0013091	Round seal		1
6	VT0013092	Cap assembly		1
7	VT0013954	Hook block - Safety hook	2 falls	1
8	VT0013096	Rubber chain stop	2 falls	1
9	VT0013099	Hook component	2 falls	1
10	VT0008131	Set of 10 load plates - Hoist	1,5 TON	1
10	VT0010486	Set of 10 load plates - Hoist	2 TON	1
10	VT0007738	Set of 10 load plates - Hoist	2,5 TON	1
10	VT0014091	Set of 10 load plates - Hoist	1250 kg	1
10	VT0014087	Set of 10 load plates - Hoist	1600 kg	1
10	VT0014083	Set of 10 load plates - Hoist	2000 kg	1
10	VT0014089	Set of 10 load plates - Hoist	2500 kg	1
11	VT0013952	Hook assembly - Safety hook	2 falls	1
13	VT0013088	Sprocket wheel	2 falls	1
14	VT0013140	Activator buffer		1
15	VT0013100	Chain stop		1
16	VT0013142	Chain bucket	6m	1
16	VT0013143	Chain bucket	16 m	1
17	VT0013116	Fixing set		1
18	VT0013119	Chain 7,2x21,1	DAT	1
18	VT0013118	Chain 7,2x21,1	T	1
18	VT0014881	Precut chain 7,2x21,1	3,5 m	1
18	VT0014882	Precut chain 7,2x21,1	5 m	1
18	VT0014883	Precut chain 7,2x21,1	10 m	1
19	VT0013216	Chain link		1
20	VT0006025	Oil can		1
21	VT0008555	Spring set		1

3. GEAR



G10008388

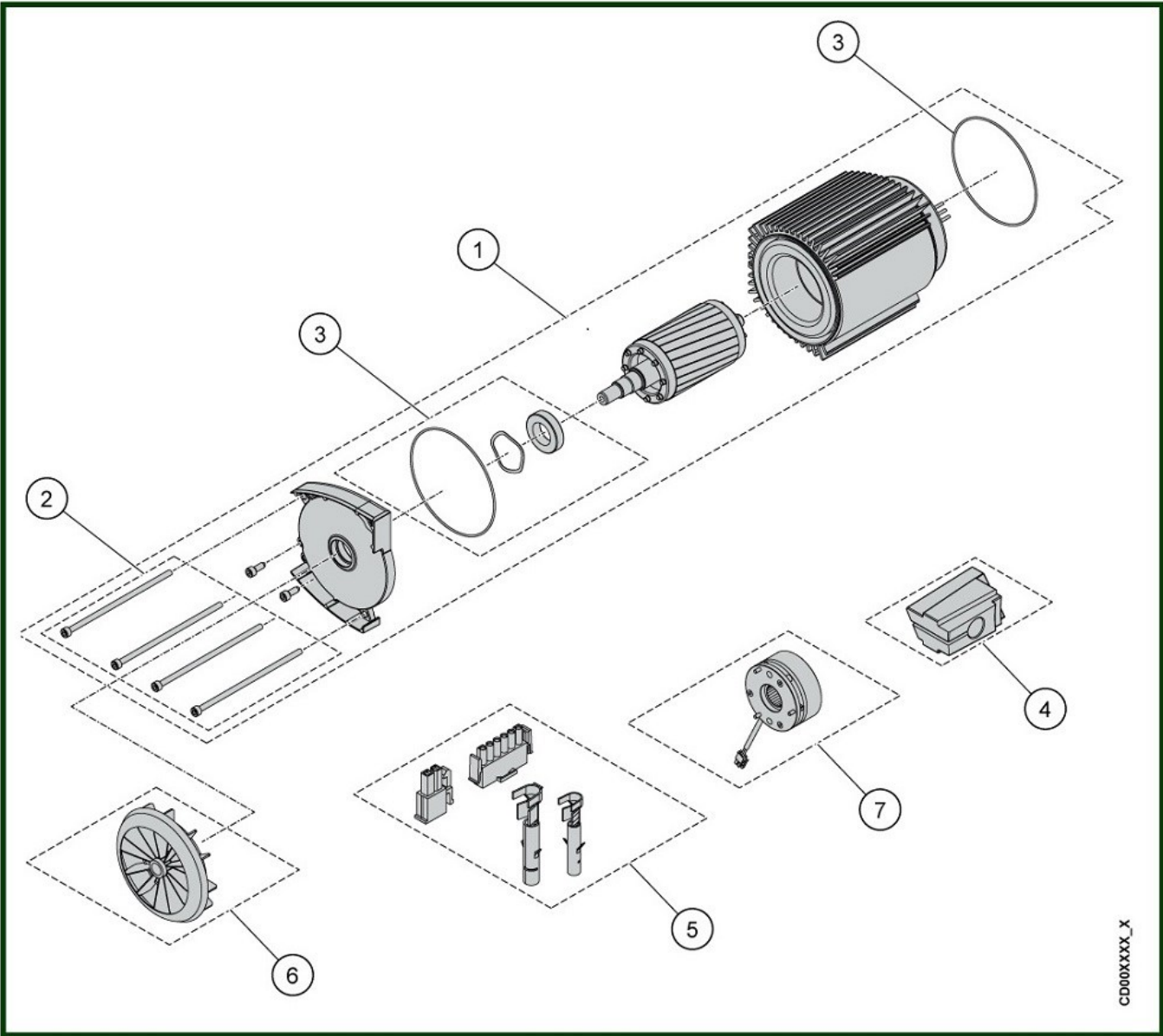
Gear

Item	Reference	Description	Observation	Quantity
1	<u>VT0013120</u>	Gear pinion set	4m/min-Standard 1 brake	1
1	<u>VT0013121</u>	Gear pinion set	6m/min-Standard 1 brake	1
1	<u>VT0013122</u>	Gear pinion set	8m/min-Standard 1 brake	1
1	<u>VT0013123</u>	Gear pinion set	12m/min-Standard 1 brake	1
1	<u>VT0013124</u>	Gear pinion set	16m/min-Standard 1 brake	1
1	<u>VT0013125</u>	Gear pinion set	24m/min-Standard 1 brake	1
2	<u>VT0013126</u>	Brake hub set		1
3	<u>VT0013127</u>	Clutch		1
4	<u>VT0013128</u>	Friction disc		1
5	<u>VT0012563</u>	Screw set		1
6	<u>VT0013129</u>	Gear box housing set	Standard	1
7	<u>VT0013136</u>	Sealing set		1
8	<u>VT0013092</u>	Cap assembly		1

3.1. Gear - Options

Item	Reference	Description	Observation	Quantity
1	VT0014034	Frame extension		1
2	VT0014035	Support plate - Gear		1
3	VT0014027	Limit switch + screw	2 cams / 180	1
3	VT0014025	Limit switch + screw	2 cams / 280	1
3	VT0014026	Limit switch + screw	4 cams / 180	1
3	VT0014024	Limit switch + screw	4 cams / 280	1
4	VT0014028	Support plate + screw		1
5	VT0014033	Coupling shaft		1
6	VT0008692	Sealing		1
7	VT0014032	Complete limit switch + Sealing	2 cams / 180	1
7	VT0014030	Complete limit switch + Sealing	2 cams / 280	1
7	VT0014031	Complete limit switch + Sealing	4 cams / 180	1
7	VT0014029	Complete limit switch + Sealing	4 cams / 280	1
8	VT0014013	Wiring set	2 cams	1
8	VT0014012	Wiring set	4 cams	1
9	VT0013942	Cover set - Front side		1

4. MOTOR



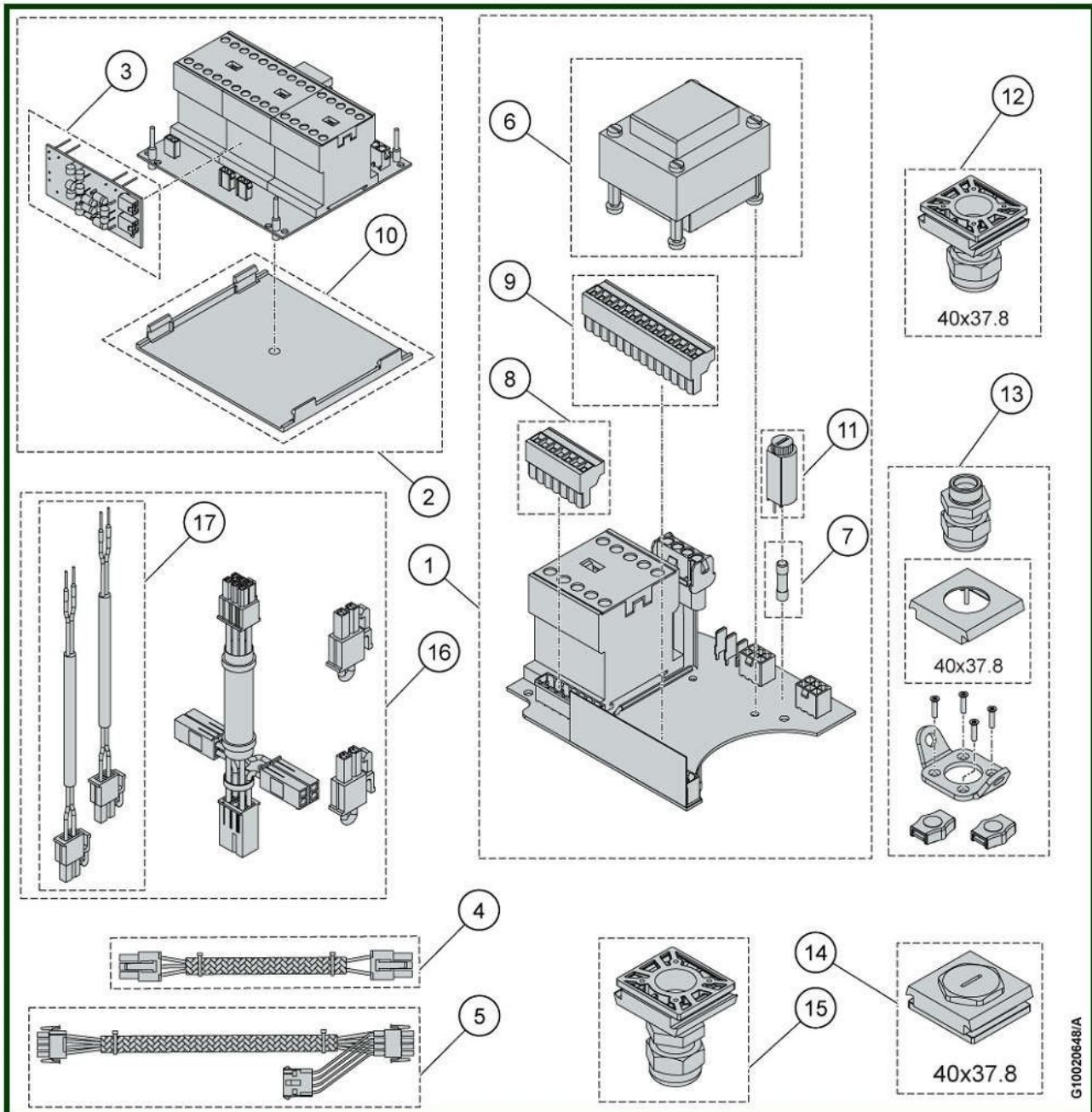
CD00XXXX_X

Motor

Item	Reference	Description	Observation	Quantity
1	<u>VT0015665</u>	Motor - 2 speeds	208-230V 60Hz	1
1	<u>VT0015663</u>	Motor - 2 speeds	220-240V 50Hz	1
1	<u>VT0013137</u>	Motor - 2 speeds	380-415V 50Hz 440-480V 60Hz	1
1	<u>VT0015666</u>	Motor - 2 speeds	380-415V 60Hz	1
1	<u>VT0015664</u>	Motor - 2 speeds	500-525V 50Hz	1
2	<u>VT0005917</u>	Screw set		1
3	<u>VT0013141</u>	Sealing + Bearing set		1
4	<u>VT0013138</u>	Rubber		1
5	<u>VT0012758</u>	Motor connectors		1
6	<u>VT0013139</u>	Fan set		1
7	<u>VT0006531</u>	Double brakes	103 V	1
7	<u>VT0006551</u>	Double brakes	109 V	1
7	<u>VT0006552</u>	Double brakes	255 V	1
7	<u>VT0006553</u>	Double brakes	320 V	1
7	<u>VT0005621</u>	Single brake	103 V	1
7	<u>VT0005620</u>	Single brake	190 V	1
7	<u>VT0005877</u>	Single brake	255 V	1
7	<u>VT0006395</u>	Single brake	320 V	1

5. ELECTRICAL PARTS

5.1. Solo equipment – Standard



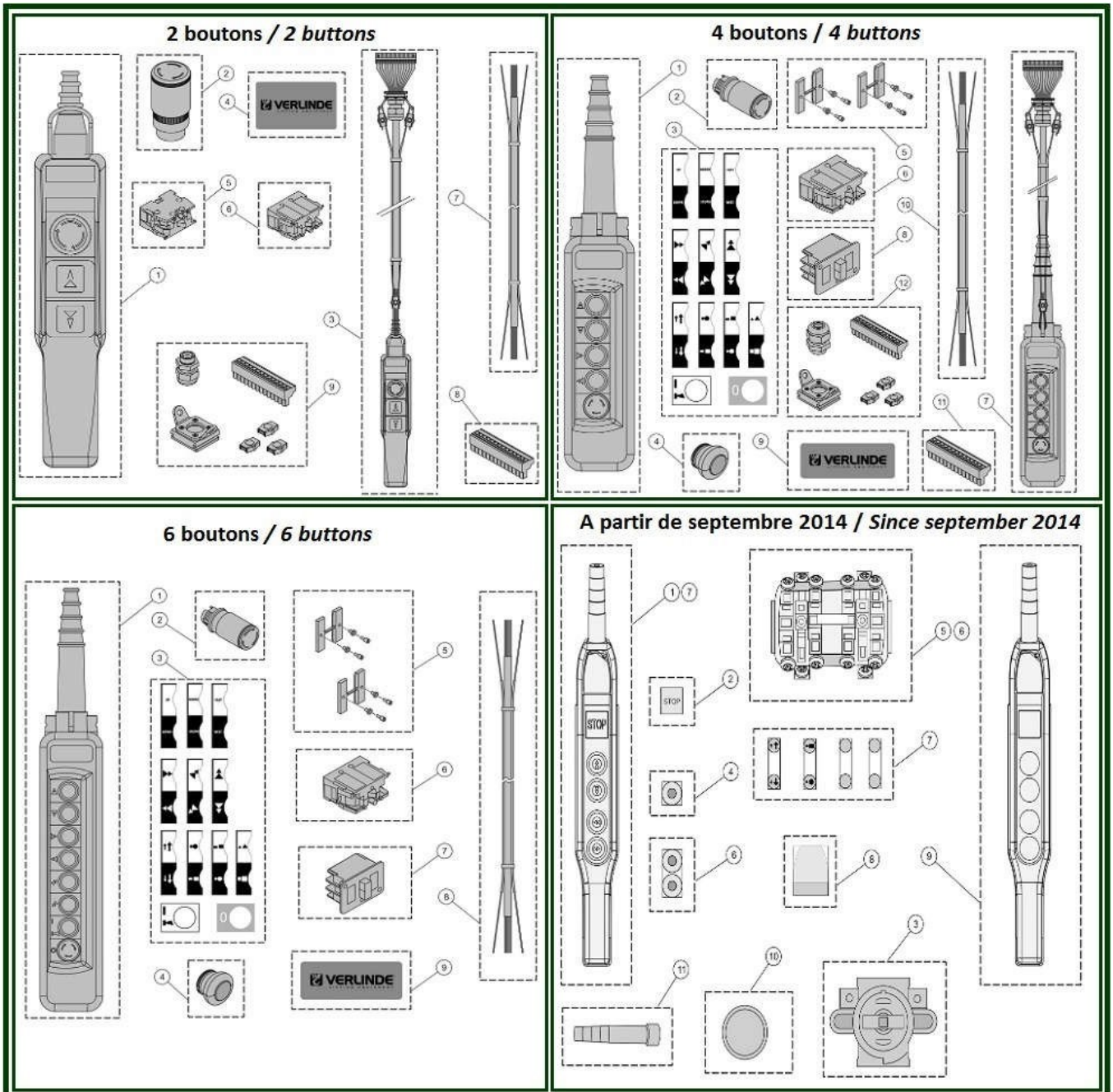
G10020648/A

Solo equipment - Standard

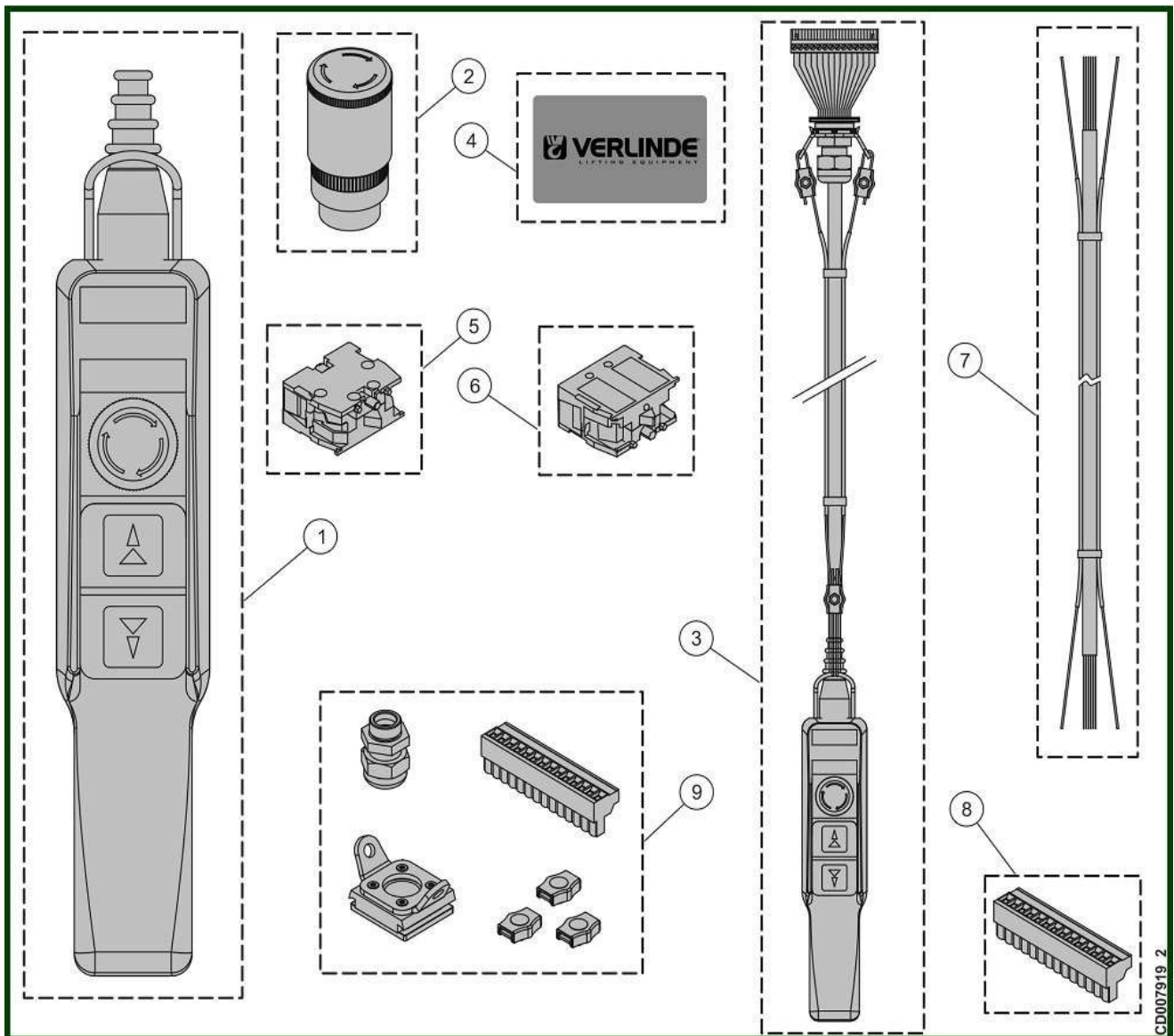
Item	Reference	Description	Observation	Quantity
1	<u>VT0006430</u>	Power supply board Solo hoist	230V / 48V - 50 Hz	1
1	<u>VT0006431</u>	Power supply board Solo hoist	230V / 115V - 50 Hz	1
1	<u>VT0004944</u>	Power supply board Solo hoist	380-415V / 24V - 50 Hz	1
1	<u>VT0004942</u>	Power supply board Solo hoist	380-415V / 48V - 50 Hz	1
1	<u>VT0005312</u>	Power supply board Solo hoist	380-415V / 115V - 50 Hz	1
1	<u>VT0005313</u>	Power supply board Solo hoist	380-415V / 230V - 50 Hz	1
1	<u>VT0006432</u>	Power supply board Solo hoist	460-480V / 48V - 60 Hz	1
1	<u>VT0006433</u>	Power supply board Solo hoist	460-480V / 115V - 60 Hz	1
1	<u>VT0006434</u>	Power supply board Solo hoist	500-525V / 48V - 50 Hz	1
1	<u>VT0006446</u>	Power supply board Solo hoist	500-525V / 115V - 50 Hz	1
1	<u>VT0006435</u>	Power supply board Solo hoist	575V / 48V - 60 Hz	1
1	<u>VT0006447</u>	Power supply board Solo hoist	575V / 115V - 60 Hz	1
2	<u>VT0005302</u>	Motor control board 2 speeds - 1 brake	230V-690V / 50-60HZ / 24V	1
2	<u>VT0004945</u>	Motor control board 2 speeds - 1 brake	230V-690V / 50-60HZ / 48V	1
2	<u>VT0005303</u>	Motor control board 2 speeds - 1 brake	230V-690V / 50-60HZ / 110V	1
2	<u>VT0005304</u>	Motor control board 2 speeds - 1 brake	230V-690V / 50-60HZ / 230V	1
2	<u>VT0005305</u>	Motor control board 2 speeds - 2 brakes	230V-690V / 50-60HZ / 24V	1
2	<u>VT0005306</u>	Motor control board 2 speeds - 2 brakes	230V-690V / 50-60HZ / 48V	1
2	<u>VT0005307</u>	Motor control board 2 speeds - 2 brakes	230V-690V / 50-60HZ / 110V	1
2	<u>VT0005308</u>	Motor control board 2 speeds - 2 brakes	230V-690V / 50-60HZ / 230V	1
3	<u>VT0004946</u>	Rectifier - 1 brake	230V / 690V	1
3	<u>VT0004947</u>	Rectifier - 2 brakes	230V / 690V	1
3	<u>VT0004948</u>	Rectifier reconnectable	230V / 690V	1
4	<u>VT0004949</u>	Wire harness Plug control voltage		1

5	<u>VT0004950</u>	Wire harness Plug power voltage		1
6	<u>VT0006325</u>	Transformer	230V / 48V	1
6	<u>VT0006439</u>	Transformer	230V / 115V	1
6	<u>VT0004952</u>	Transformer	380-415V / 24V	1
6	<u>VT0004953</u>	Transformer	380-415V / 48V	1
6	<u>VT0004951</u>	Transformer	380-415V / 115V	1
6	<u>VT0004954</u>	Transformer	380-415V / 230V	1
6	<u>VT0006437</u>	Transformer	460-480V / 48V - 60 Hz	1
6	<u>VT0006440</u>	Transformer	460V / 115V	1
6	<u>VT0006436</u>	Transformer	500-525V / 48V	1
6	<u>VT0006438</u>	Transformer	575V / 48V	1
6	<u>VT0008540</u>	Transformer	575V / 115V	1
7	<u>VT0004915</u>	Set of 10 fuses	48V	1
7	<u>VT0004955</u>	Set of 10 fuses	115V	1
7	<u>VT0008541</u>	Set of 10 fuses	230V	1
8	<u>VT0005107</u>	Wire harness Plug power voltage	4P	1
9	<u>VT0005108</u>	Control voltage connector	14P	1
10	<u>VT0006441</u>	Insulation plate		1
11	<u>VT0006191</u>	Fuse base		1
12	<u>VT0006393</u>	Cable gland set Square cable entry	Power supply ISO 20	1
13	<u>VT0005090</u>	Cable gland set Square cable entry	Push button	1
14	<u>VT0006089</u>	Bouchon Square cable entry		1
15	<u>VT0006326</u>	Cable gland set Square cable entry	Flat cable - 4G2.5	1
16	<u>VT0008551</u>	Set of Gear Limit Switch connection		1
17	<u>VT0008550</u>	GLS Cable	600mm - 24-230V 50- 60Hz 2 for 2 steps or 4 for 4 steps	1
-	<u>VT0006967</u>	Time counter		1

6. PUSH BUTTONS



6.1. 2 buttons

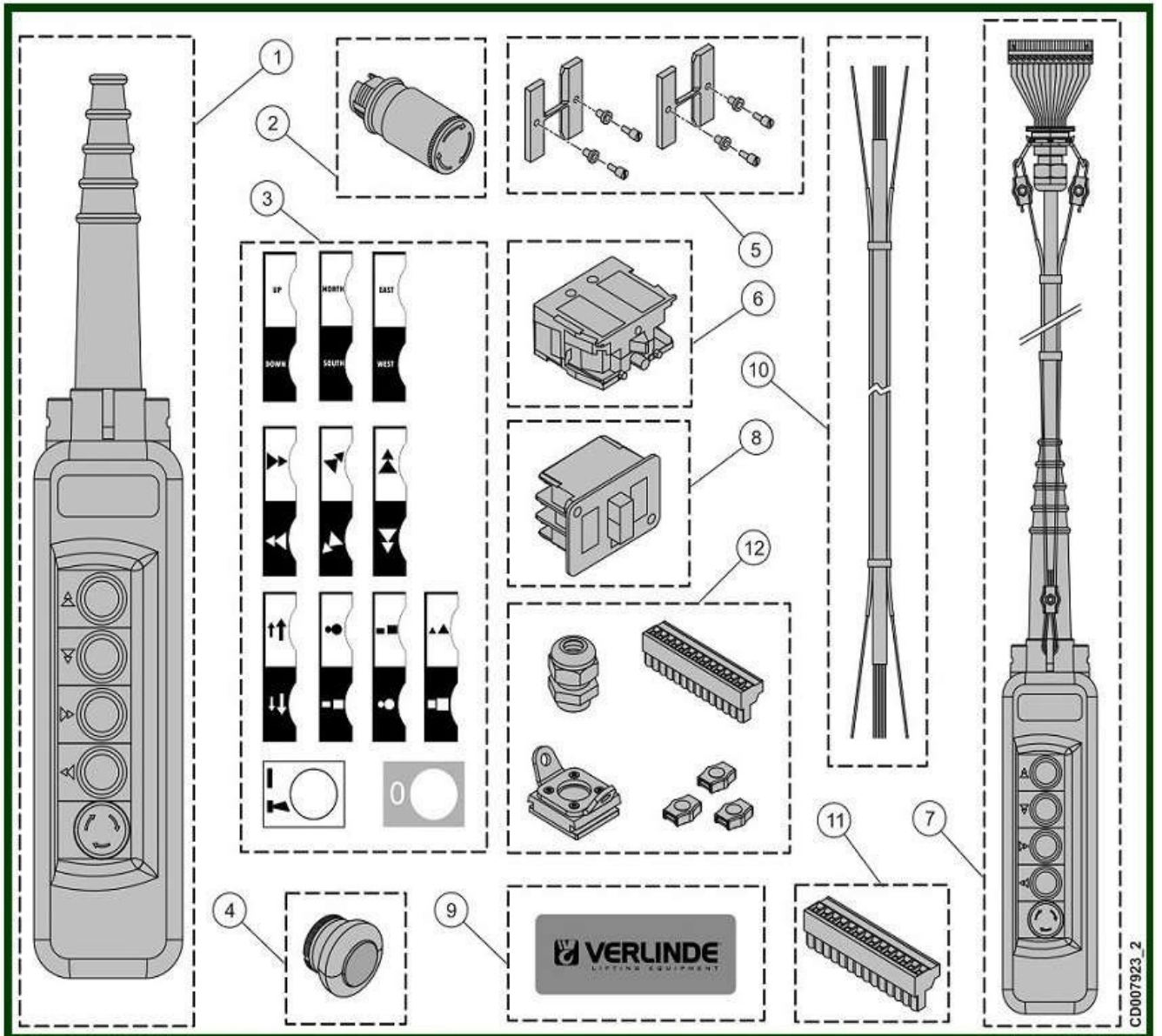


CD007919 2

2 buttons

Item	Reference	Description	Observation	Quantity
1	<u>VT0005061</u>	Pendant controller - 2HS+ES	Yellow	1
2	<u>VT0006547</u>	Emergency push button		1
3	<u>VT0005612</u>	Pendant controller - 2HS+ES	2,2 m - Yellow- CE	1
3	<u>VT0005613</u>	Pendant controller - 2HS+ES	2,7 m - Yellow- CE	1
3	<u>VT0005614</u>	Pendant controller - 2HS+ES	3,2 m - Yellow- CE	1
3	<u>VT0005615</u>	Pendant controller - 2HS+ES	3,7 m - Yellow- CE	1
3	<u>VT0005616</u>	Pendant controller - 2HS+ES	4,2 m - Yellow- CE	1
3	<u>VT0005617</u>	Pendant controller - 2HS+ES	4,7 m - Yellow- CE	1
3	<u>VT0005618</u>	Pendant controller - 2HS+ES	5,2 m - Yellow- CE	1
3	<u>VT0005619</u>	Pendant controller - 2HS+ES	5,7 m - Yellow- CE	1
4	<u>VT0007837</u>	Sticker of brand	VERLINDE	1
5	<u>VT0005064</u>	Contact block	ZB2-BE101	1
6	<u>VT0005066</u>	Contact block	ZB2-BE 102	1
6	<u>VT0015041</u>	Contact block	ZB2-BE 201 "F" décalé	1
7	<u>VT0006746</u>	Cable	5x1,5 mm2 - CE	1
8	<u>VT0005108</u>	Control voltage connector	14P	1
9	<u>VT0007583</u>	Pendant plug set	ISO	1

6.2. 4 buttons

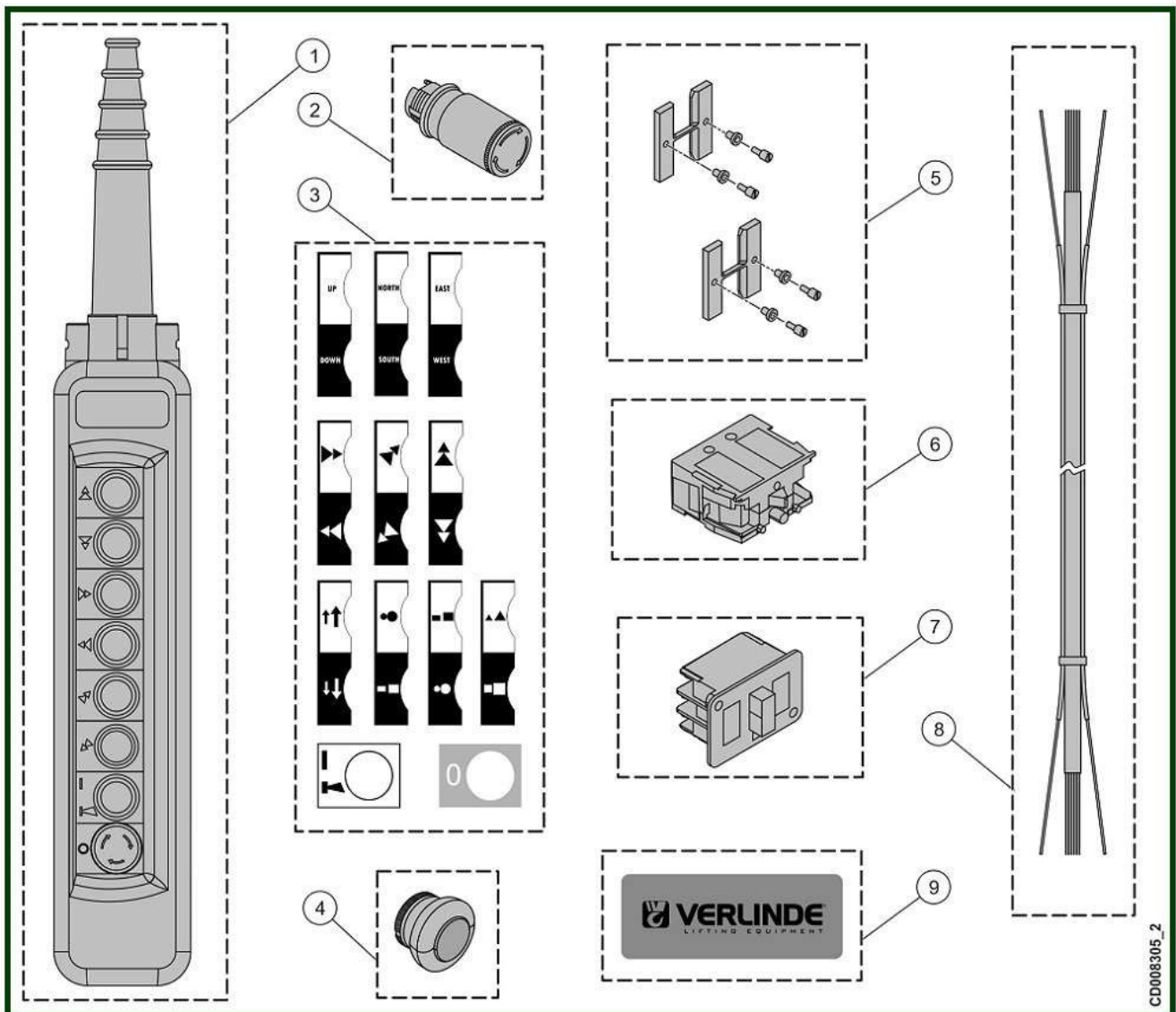


CD007923_2

4 buttons

Item	Reference	Description	Observation	Quantity
1	<u>VT0005055</u>	Pendant controller 2HS+2TS+ES	Yellow	1
2	<u>VT0006548</u>	Emergency push button		1
3	<u>VT0007882</u>	Set of direction symbols		1
4	<u>VT0005063</u>	Push button		1
5	<u>VT0005072</u>	Mechanical interlock		2
6	<u>VT0005066</u>	Contact block	ZB2-BE 102	1
7	<u>VT0006056</u>	Pendant with cable 2HS+2TS+ES	2,7 m - Yellow	1
7	<u>VT0006058</u>	Pendant with cable 2HS+2TS+ES	3,7 m - Yellow	1
7	<u>VT0006057</u>	Pendant with cable 2HS+2TS+ES	3,2 m - Yellow	1
7	<u>VT0006059</u>	Pendant with cable 2HS+2TS+ES	4,2 m - Yellow	1
7	<u>VT0006060</u>	Pendant with cable 2HS+2TS+ES	4,7 m - Yellow	1
7	<u>VT0006061</u>	Pendant with cable 2HS+2TS+ES	5,2 m - Yellow	1
7	<u>VT0006062</u>	Pendant with cable 2HS+2TS+ES	5,7 m - Yellow	1
7	<u>VT0006055</u>	Pendant with cable 2HS+2TS+ES	2,2 m - Yellow	1
8	<u>VT0007879</u>	Contact block	XENG1191	1
9	<u>VT0007880</u>	Sticker of brand	VERLINDE	1
10	<u>VT0006747</u>	Cable	8x1,5mm ² - meter	1
11	<u>VT0005108</u>	Control voltage connector	14P	1
12	<u>VT0007583</u>	Pendant plug set	ISO	1

6.3. 6 buttons

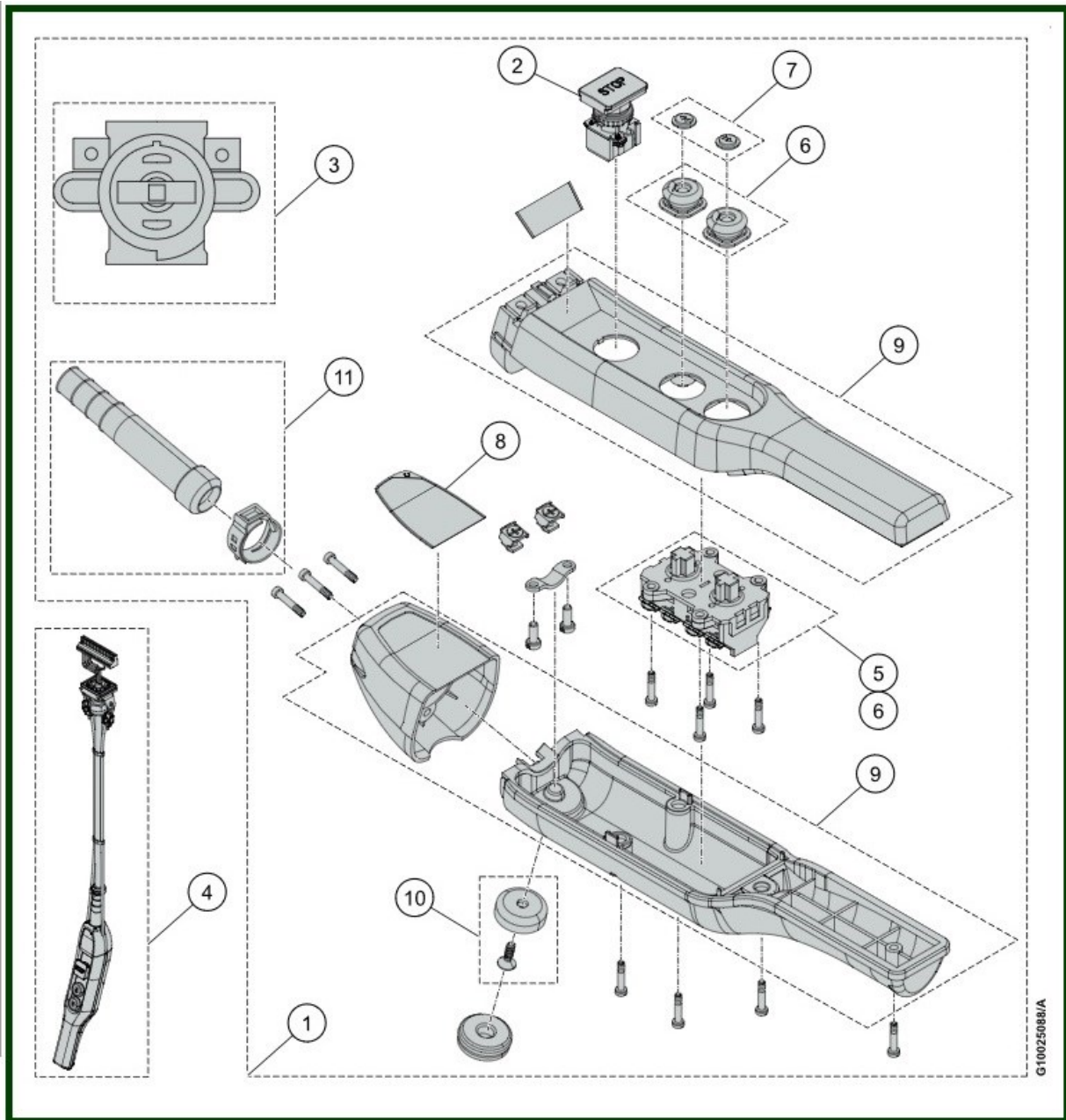


CD008305_2

6 buttons

Item	Reference	Description	Observation	Quantity
1	<u>VT0005058</u>	Pendant controller - 2HS+2TS+2LS+ON-OFF	Yellow	1
2	<u>VT0006548</u>	Emergency push button		1
3	<u>VT0007882</u>	Set of direction symbols		1
4	<u>VT0005063</u>	Push button		1
5	<u>VT0005072</u>	Mechanical interlock		2
6	<u>VT0005066</u>	Contact block	ZB2-BE 102	1
7	<u>VT0007879</u>	Contact block	XENG1191	1
8	<u>VT0008073</u>	Pendant electric cable	16x1.52mm ² - meter	1
8	<u>VT0008074</u>	Pendant electric cable	20x1.5mm ² - meter	1
9	<u>VT0007880</u>	Sticker of brand	VERLINDE	1
-	<u>VT0005108</u>	Control voltage connector	14P	1

6.4. 2 and 4 buttons ERGOMOVE- From September 2014

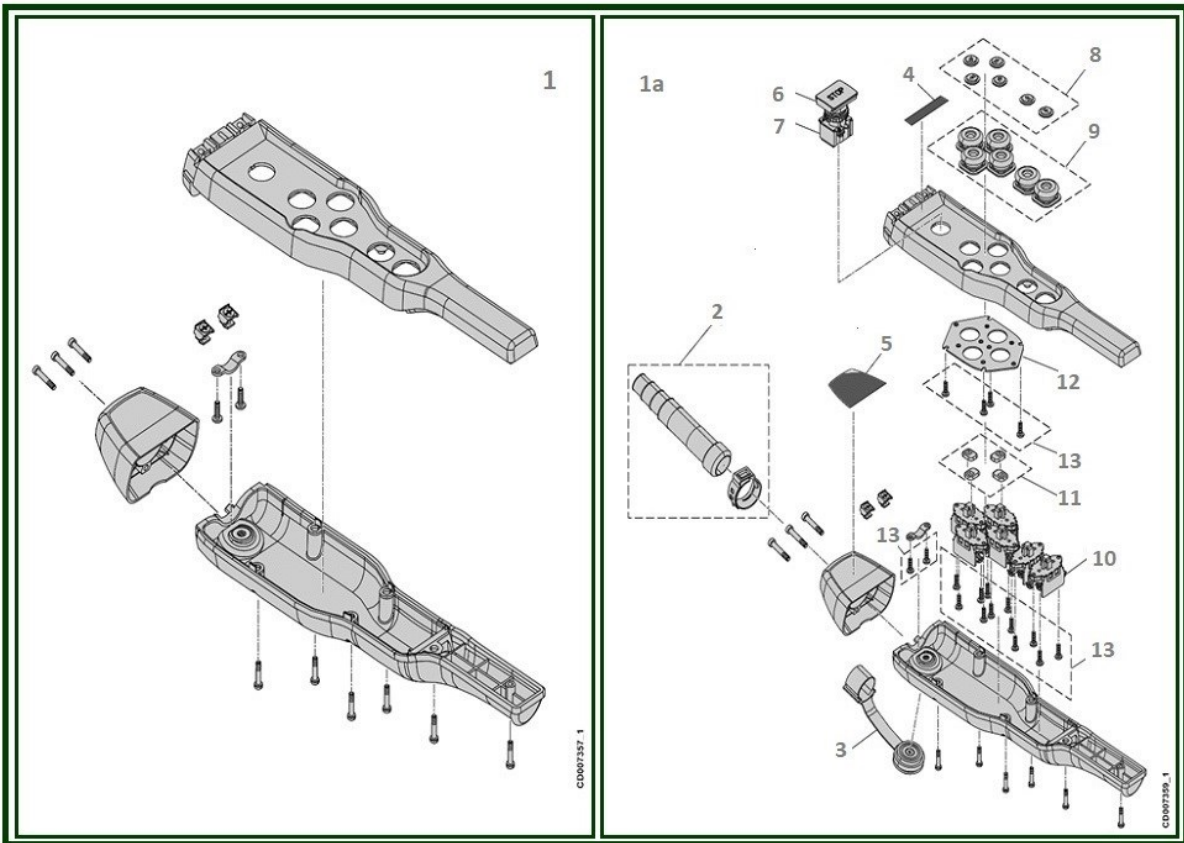


6 & 4 buttons ERGOMOVE - From September 2014

Item	Reference	Description	Observation	Quantity
1	<u>VT0006495</u>	Push buttons box - 2 HS+2TS+ES	Yellow- 4 buttons	1
1	<u>VT0006493</u>	Push buttons box - 2 HS+ES	Yellow- 2 buttons	1
2	<u>VT0006509</u>	Emergency push button		1
3	<u>VT0006510</u>	Emergency stop contact block		1
4	<u>VT0006511</u>	Rubber push button		1
5	<u>VT0006513</u>	Contact block	2 speeds	1
6	<u>VT0006514</u>	Set of 2 push buttons + contact block		1
7	<u>VT0006754</u>	Stickers - Direction symbols	ANSI	1
7	<u>VT0006752</u>	Stickers - Direction symbols	DIN	1
7	<u>VT0006753</u>	Stickers - Direction symbols	FIN-SEN	1
8	<u>VT0006496</u>	Sticker of brand	VERLINDE	1
9	<u>VT0006515</u>	Pendant housing body	Yellow- 2 buttons	1
9	<u>VT0006518</u>	Pendant housing body	Yellow- 4 buttons	1
10	<u>VT0006517</u>	Magnet		1
10	<u>VT0006516</u>	Rubber part		1
11	<u>VT0014221</u>	Cable bushing		1
12	<u>VT0006958</u>	Push buttons box + cable + plug 2 HS+ES	2,20 m - Yellow- DIN	1
12	<u>VT0006951</u>	Push buttons box + cable + plug 2 HS+ES	2,70 m - Yellow- DIN	1
12	<u>VT0006952</u>	Push buttons box + cable + plug 2 HS+ES	3,20 m - Yellow- DIN	1
12	<u>VT0006953</u>	Push buttons box + cable + plug 2 HS+ES	3,70 m - Yellow- DIN	1
12	<u>VT0006954</u>	Push buttons box + cable + plug 2 HS+ES	4,20 m - Yellow- DIN	1
12	<u>VT0006955</u>	Push buttons box + cable + plug 2 HS+ES	4,70 m - Yellow- DIN	1
12	<u>VT0006956</u>	Push buttons box + cable + plug 2 HS+ES	5,20 m - Yellow- DIN	1
12	<u>VT0006957</u>	Push buttons box + cable + plug 2 HS+ES	5,70 m - Yellow- DIN	1

13	<u>VT0006959</u>	Push buttons box + cable + plug 2 HS+2TS+ES	2,20 m - Yellow- DIN	1
13	<u>VT0006966</u>	Push buttons box + cable + plug 2 HS+2TS+ES	2,70 m - Yellow- DIN	1
13	<u>VT0006960</u>	Push buttons box + cable + plug 2 HS+2TS+ES	3,20 m - Yellow- DIN	1
13	<u>VT0006961</u>	Push buttons box + cable + plug 2 HS+2TS+ES	3,70 m - Yellow- DIN	1
13	<u>VT0006962</u>	Push buttons box + cable + plug 2 HS+2TS+ES	4,20 m - Yellow- DIN	1
13	<u>VT0006963</u>	Push buttons box + cable + plug 2 HS+2TS+ES	4,70 m - Yellow- DIN	1
13	<u>VT0006964</u>	Push buttons box + cable + plug 2 HS+2TS+ES	5,20 m - Yellow- DIN	1
13	<u>VT0006965</u>	Push buttons box + cable + plug 2 HS+2TS+ES	5,70 m - Yellow- DIN	1

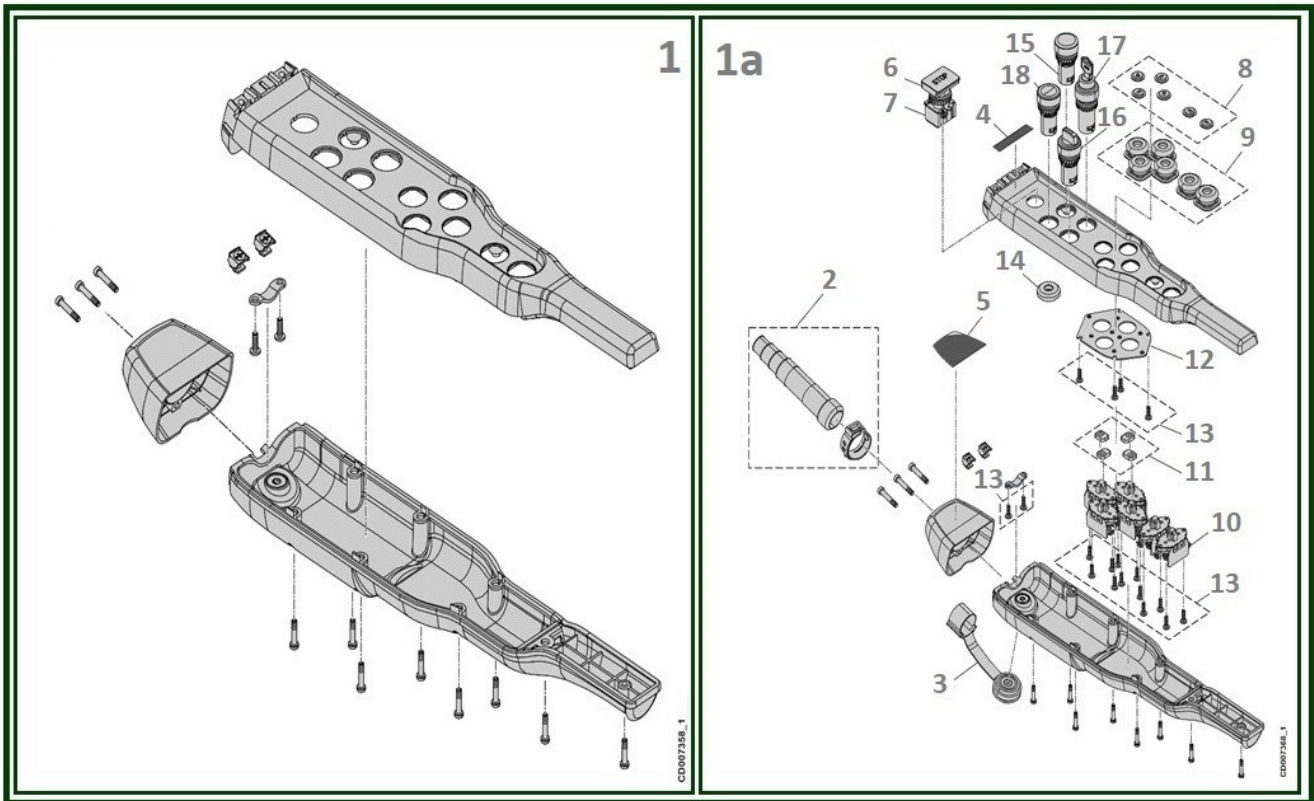
6.5. 6 buttons ERGOMOVE – From September 2014



6 buttons ERGOMOVE – From September 2014

Item	Reference	Description	Observation	Quantity
1	<u>VT0007106</u>	Pendant controller body	Yellow	1
1a	<u>VT0013522</u>	Complete pendant controller		1
2	<u>VT0007149</u>	Cable bushing		1
3	<u>VT0010787</u>	Magnet		1
5	<u>VT0007148</u>	Sticker	Logo	1
6	<u>VT0010757</u>	Emergency stop button		1
7	<u>VT0010788</u>	Contact block		1
8	<u>VT0007147</u>	Stickers - Direction symbols	ANSI	1
8	<u>VT0007145</u>	Stickers - Direction symbols	DIN	1
8	<u>VT0007146</u>	Stickers - Direction symbols	FIN	1
9	<u>VT0007102</u>	Push button		1
10	<u>VT0013419</u>	Contact block -2 steps	Crane and Trolley control (Foward/Backward and Right/Left)	1
10	<u>VT0007100</u>	Contact block -2 steps	Hoisting control (Up and Down)	1
11	<u>VT0007101</u>	Push button		1
12	<u>VT0007103</u>	Shape plate		1
13	<u>VT0007150</u>	Screws set		1

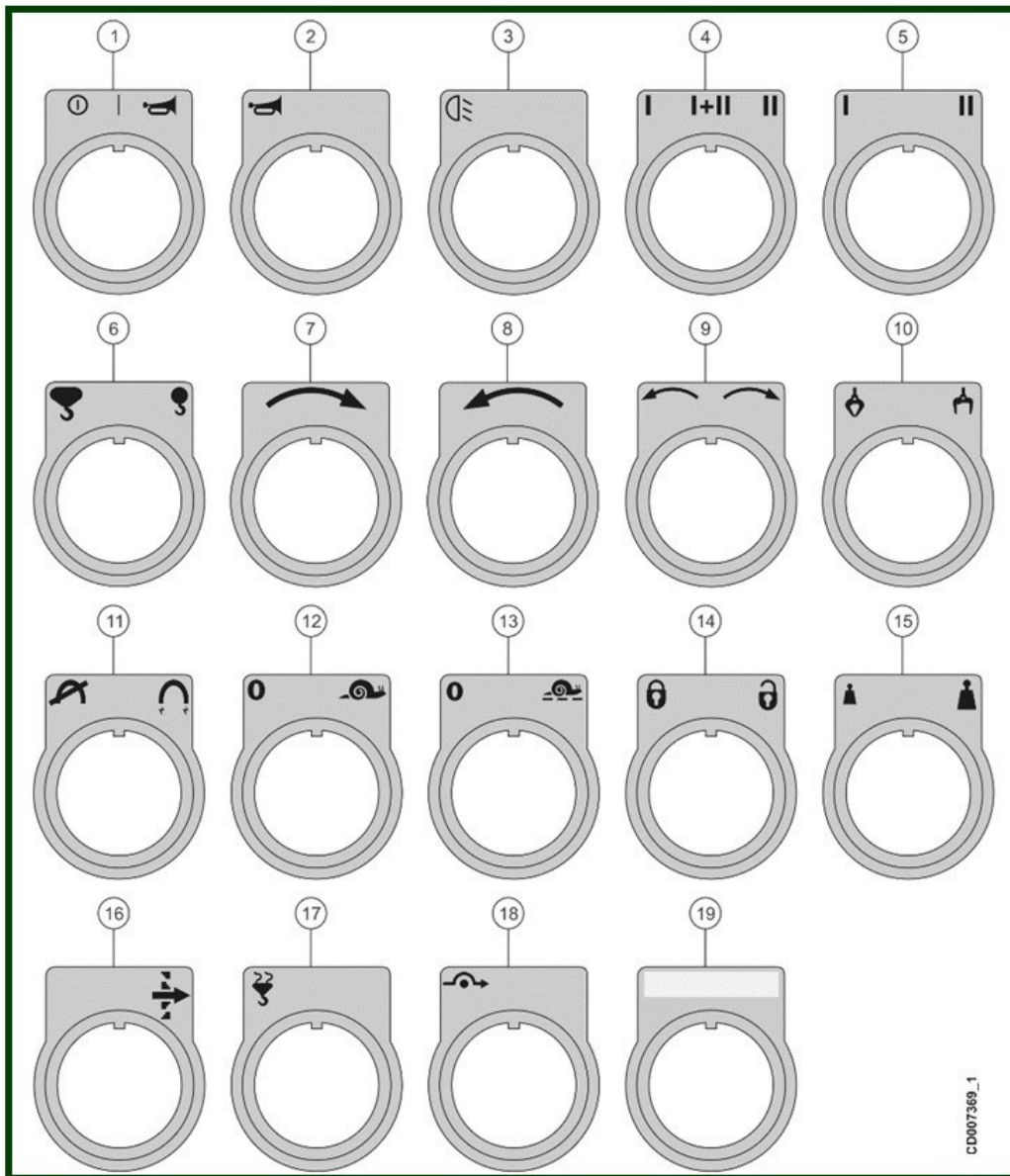
6.6. 10 buttons ERGOMOVE – From September 2014



10 buttons ERGOMOVE – From September 2014

Item	Reference	Description	Observation	Quantity
1	VT0007107	Pendant controller body	Yellow	1
1a	VT0013416	Complete pendant controller	Yellow	1
2	VT0007149	Cable bushing		1
3	VT0010787	Magnet		1
5	VT0007148	Sticker	Logo	1
6	VT0010757	Emergency stop button		1
7	VT0010788	Contact block		1
8	VT0007147	Stickers - Direction symbols	ANSI	1
8	VT0007145	Stickers - Direction symbols	DIN	1
8	VT0007146	Stickers - Direction symbols	FIN	1
9	VT0007102	Push button		1
10	VT0013419	Contact block – 2 steps	Crane and Trolley control (Foward/Backward and Right/Left)	4
10	VT0007100	Contact block – 2 steps	Hoisting control (Up and Down)	2
11	VT0007101	Push button		1
12	VT0007103	Shape plate		1
13	VT0007150	Screws set		1
14	VT0007109	Blanking plug		1
15	VT0007110	Push button		1
16	VT0010760	Selector without spring return to center	Switch 1-0-2	1
16	VT0010797	Selector switch	Switch 0-1	1
16	VT0007113	Selector switch	Switch 1-1+2-2	1
16	VT0007114	Selector switch	Switch 1-2	1
16	VT0010796	Selector switch with spring return to center	Switch 1-0-2	1
17	VT0010798	Position Key Selector	Switch 0-1	1
18	VT0010791	Pilot lamp 115 – Green		1
18	VT0010792	Pilot lamp 115V - Red		1
18	VT0010793	Pilot lamp 115V – Yellow		1
18	VT0010794	Pilot lamp 230V - Green		1
18	VT0010759	Pilot lamp 230V - Red		1
18	VT0010795	Pilot lamp 230V - Yellow		1
18	VT0010789	Pilot lamp - 48V - Green		1
	VT0010758	Pilot lamp - 48V – Red		1
	VT0010790	Pilot lamp - 48V - Yellow		1

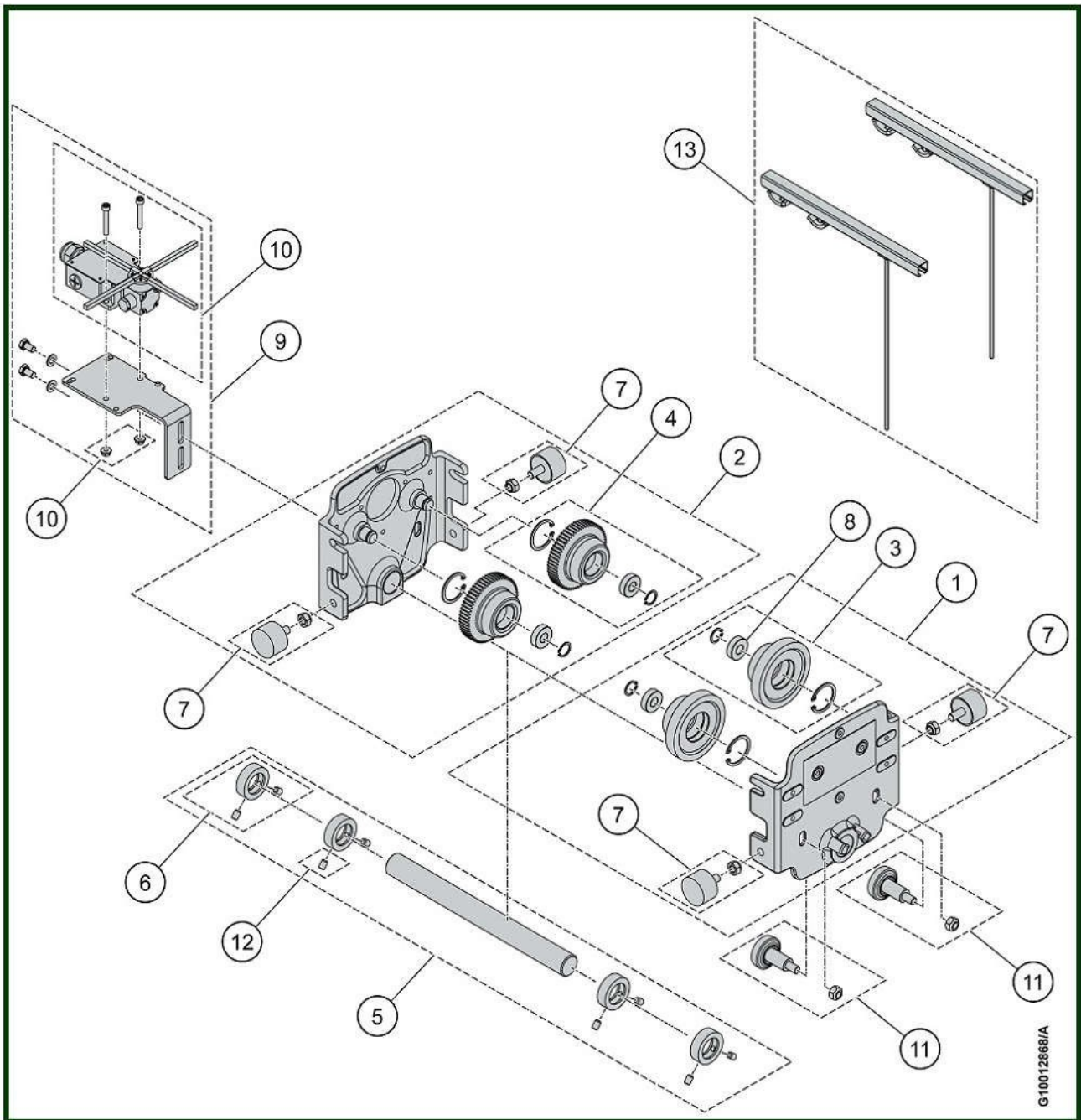
6.7. 10 buttons ERGOMOVE – Option pendant label



10 buttons ERGOMOVE – Option pendant label

Item	Reference	Description	Observation	Quantity
1	<u>VT0007126</u>	Pendant label - Start + Horn		1
2	<u>VT0007127</u>	Pendant label - Horn		1
3	<u>VT0007128</u>	Pendant label - Light		1
4	<u>VT0007129</u>	Pendant label - Hoist selector I,I+II, II		1
5	<u>VT0007130</u>	Pendant label - Hoist selector I, II		1
6	<u>VT0007131</u>	Pendant label - Hook selection		1
7	<u>VT0007132</u>	Pendant label - Rotate right		1
8	<u>VT0007133</u>	Pendant label - Rotate left		1
9	<u>VT0007134</u>	Pendant label - Rotate left / light		1
10	<u>VT0007135</u>	Pendant label - Close and open		1
11	<u>VT0007136</u>	Pendant label - Magnet OFF / On		1
12	<u>VT0007137</u>	Pendant label - Microspeed		1
13	<u>VT0007138</u>	Pendant label - Microspeed		1
14	<u>VT0007139</u>	Pendant label - Lock / unlock		1
15	<u>VT0007140</u>	Pendant label - Load limiter		1
16	<u>VT0007141</u>	Pendant label - Restricted area		1
17	<u>VT0007142</u>	Pendant label - Slack rope		1
18	<u>VT0007143</u>	Pendant label - Bypass		1
19	<u>VT0007144</u>	Blank pendant label		1

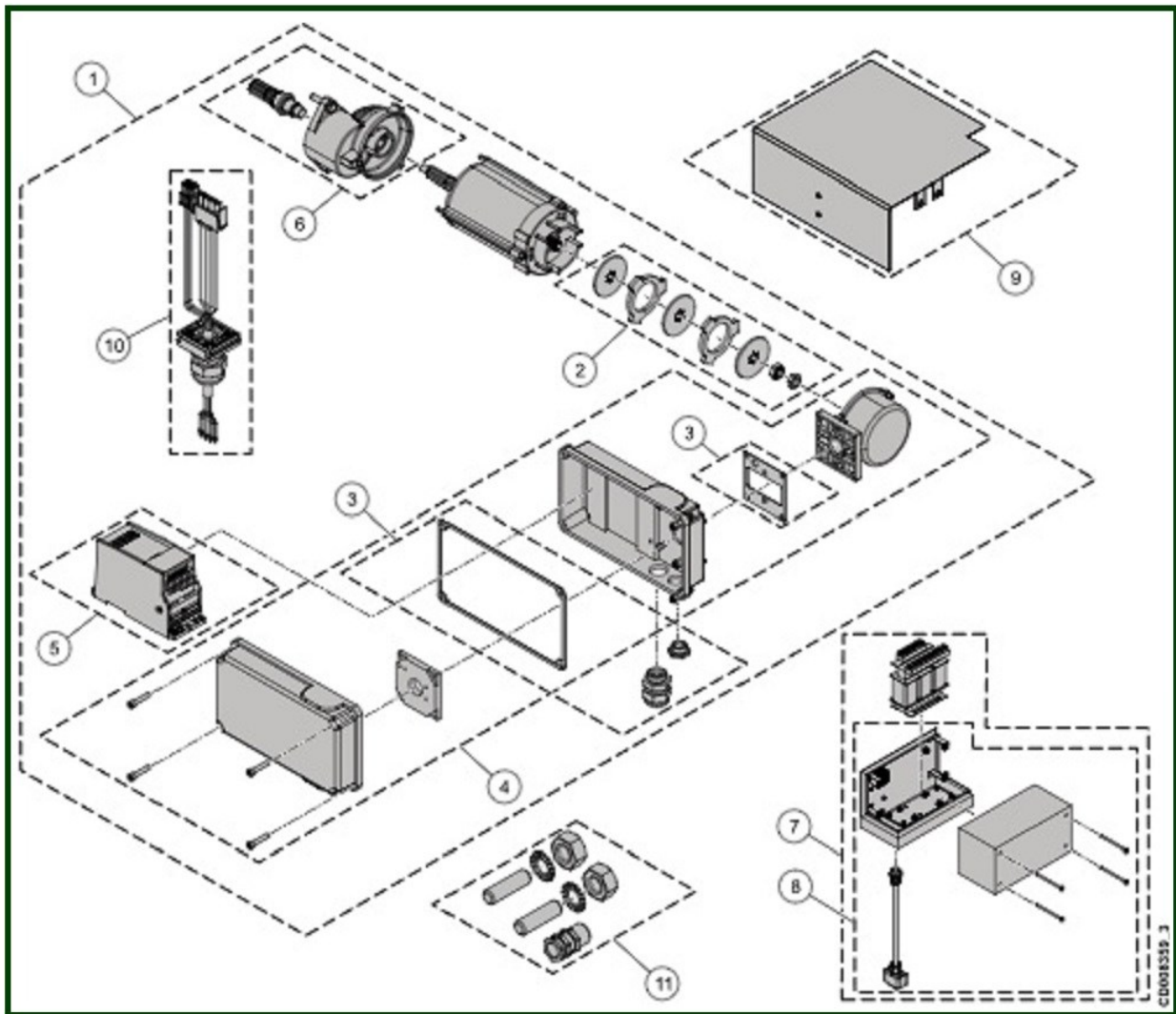
7. CHVX32 TROLLEY



CHVX32 trolley

Item	Reference	Description	Observation	Quantity
1	<u>VT0013196</u>	Side plate assembly - Idle	CHVX32	1
2	<u>VT0013197</u>	Side plate assembly - Driving	CHVX32	1
3	<u>VT0008783</u>	Set of Travel wheels - Idle	CHVX32	1
4	<u>VT0008782</u>	Set of Travel wheels - Motor	CHVX32	1
5	<u>VT0012997</u>	Cross bar	200	1
5	<u>VT0012998</u>	Cross bar	310	1
6	<u>VT0012820</u>	Setting ring		1
7	<u>VT0012821</u>	Buffer		1
8	<u>VT0012823</u>	Bearing		1
9	<u>VT0012824</u>	Limit switch + Fixing plate		1
10	<u>VT0012825</u>	Limit switch		1
11	<u>VT0012826</u>	Bearing		1
12	<u>VT0013881</u>	Screw set		1
13	<u>VT0009508</u>	Limit switch activator		1

8. STEPLESS TMU MOTOR



Stepless TMU motor

Item	Reference	Description	Observation	Quantity
1	<u>VT0009423</u>	Motor MF06MK200 135A80062E-IP66	400V/35Hz - Standard	1
1	<u>VT0009424</u>	Motor MF06MK200 145F84061E-IP66	400V/100Hz - Standard 460V/120Hz - Standard	1
1	<u>VT0013912</u>	Motor MF06MK200 135A80069EKIP66	400V/35Hz - Heating option	1
1	<u>VT0013913</u>	Motor MF06MK200 135A80070EHIP66	400V/35Hz- Heating option	1
1	<u>VT0013911</u>	Motor MF06MK200 145F84067EHIP66	400V/100Hz- Heating option 460V/120Hz- Heating option	1
1	<u>VT0013910</u>	Motor MF06MK200 145F84068EKIP66	400V/100Hz- Heating option 460V/120Hz- Heating option	1
2	<u>VT0001548</u>	Brake repair set		1
3	<u>VT0009425</u>	Sealing set		1
4	<u>VT0009426</u>	Terminal box		1
5	<u>VT0006534</u>	Frequency converter		1
6	<u>VT0009427</u>	Gear GEL105PT1BO		1
6	<u>VT0013906</u>	Gear GEL105PT1BO	Food grease	1
7	<u>VT0009428</u>	Control panel		1
8	<u>VT0009429</u>	Control panel		1
9	<u>VT0009430</u>	Rain cover		1
10	<u>VT0006292</u>	Interface Cable		1
11	<u>VT0009323</u>	Fixing set		1