

# Spare Parts for SL10 Stagemaker

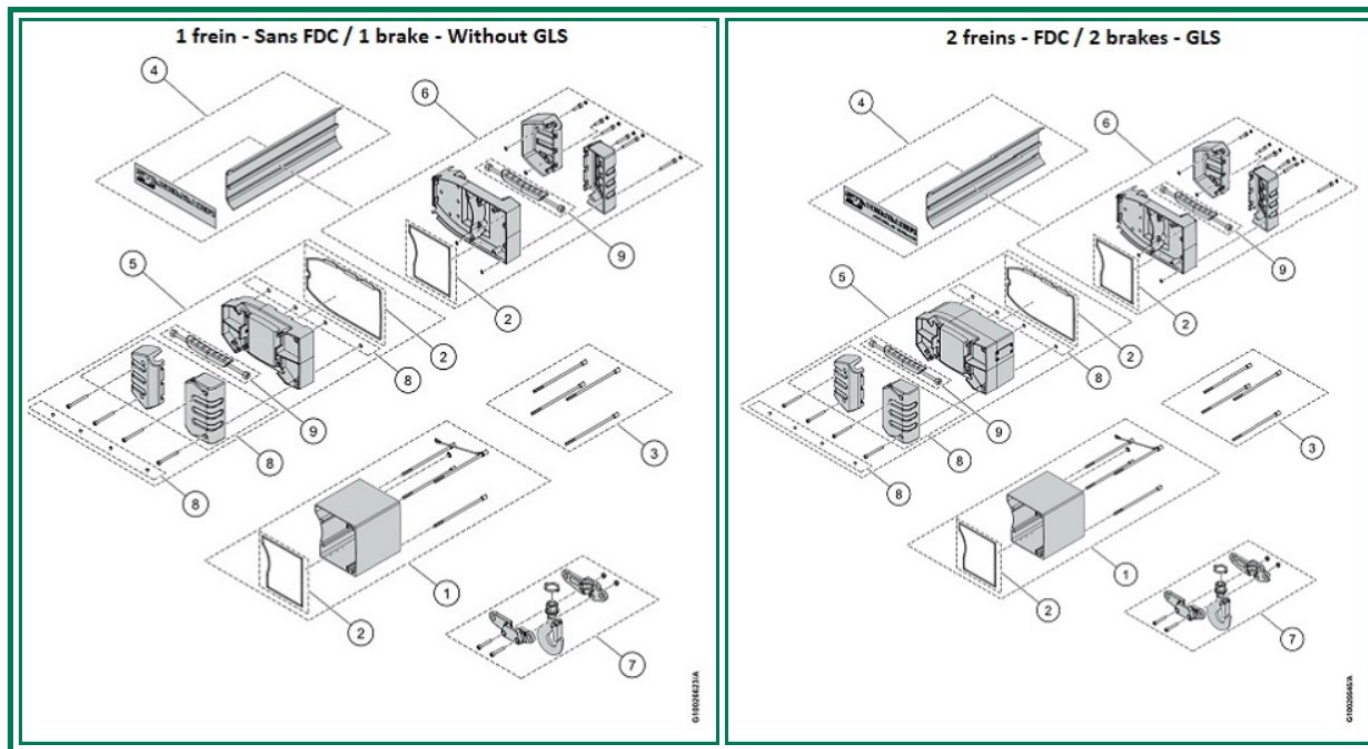
To avoid errors, when ordering please specify:

- Complete type of hoist
- Date of manufacture and serial number
- Spare part code
- Spare part designation
- Additional information



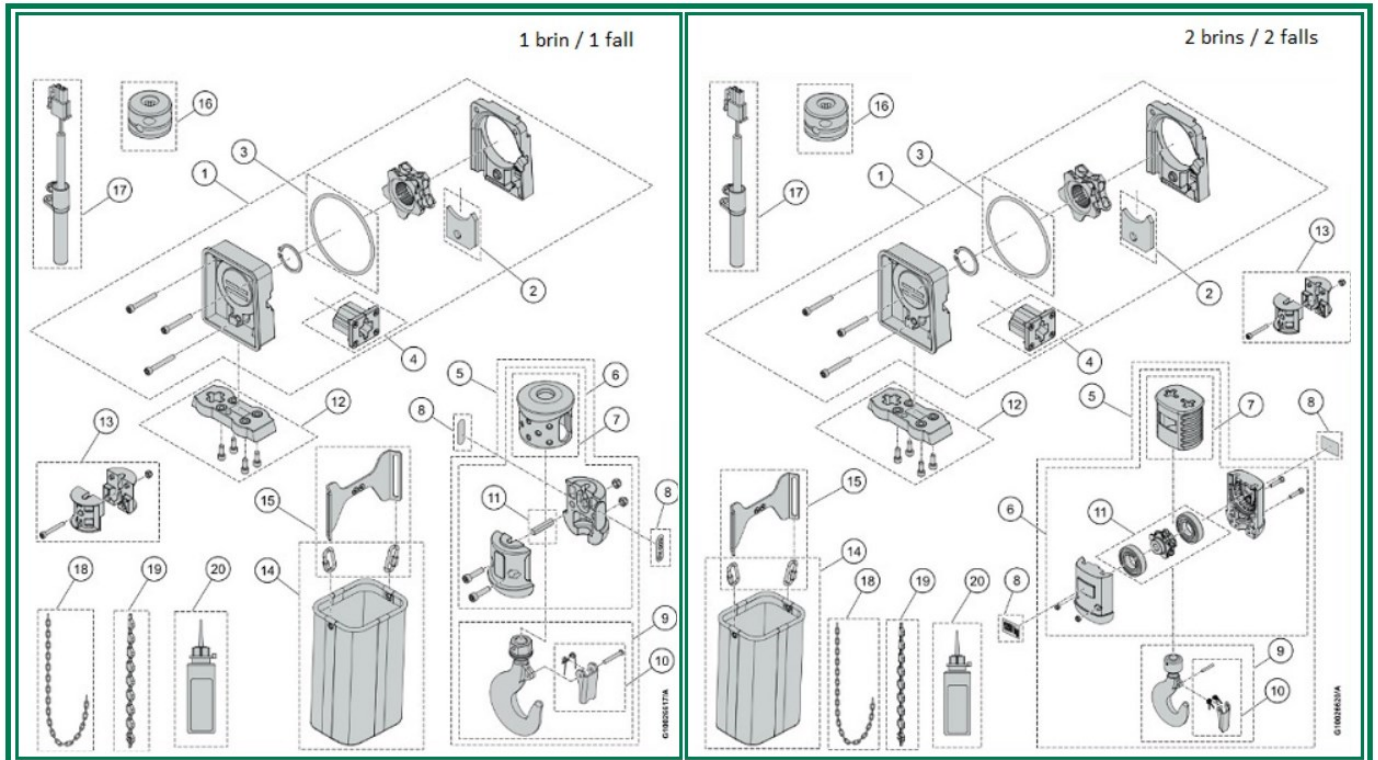
<b>1. FRAME .....</b>	<b>2</b>
<b>2. CHAIN GUIDE.....</b>	<b>3</b>
2.1. - 1 fall.....	4
2.2. - 2 falls .....	6
<b>3. GEAR.....</b>	<b>8</b>
<b>4. MOTOR .....</b>	<b>9</b>

# 1. FRAME

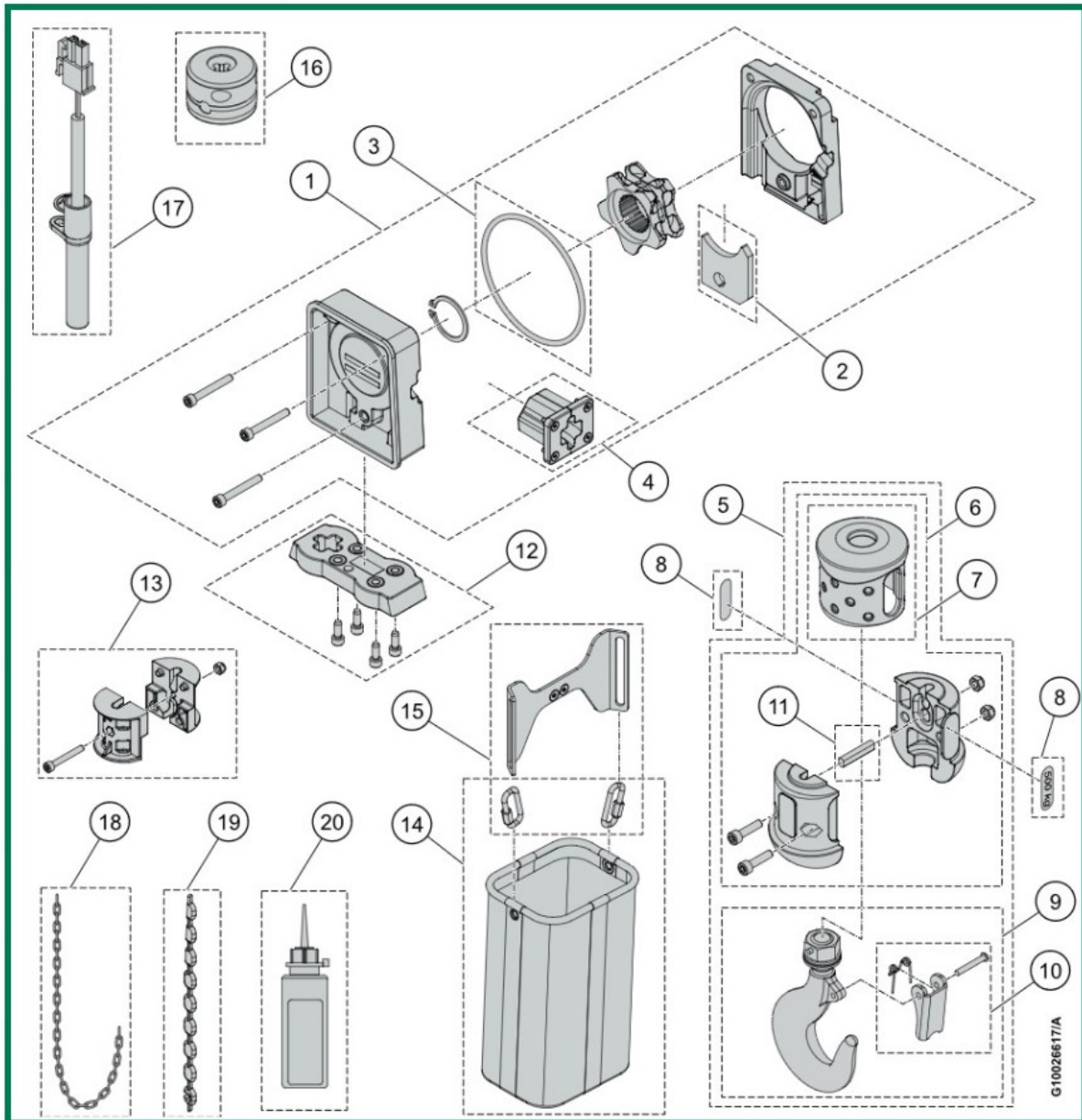


Item	Reference	Description	Observation	Quantity
1	<a href="#">VT0013076</a>	Housing module		1
2	<a href="#">VT0014441</a>	Sealing set		1
3	<a href="#">VT0007015</a>	Screw set		1
4	<a href="#">VT0014442</a>	Front cover - Short		1
4	<a href="#">VT0014443</a>	Front cover - Long		1
5	<a href="#">VT0014444</a>	Cover - Brake side	1 brake	1
5	<a href="#">VT0014445</a>	Cover - Brake side - 4 cams	1 brake	1
6	<a href="#">VT0014461</a>	Cover - Motor side		1
7	<a href="#">VT0014501</a>	Upper suspension	Bracket - option	1
7	<a href="#">VT0014481</a>	Upper suspension	Swivel hook	1
8	<a href="#">VT0014526</a>	Buffer		1
9	<a href="#">VT0014527</a>	Handle		1

## 2. CHAIN GUIDE



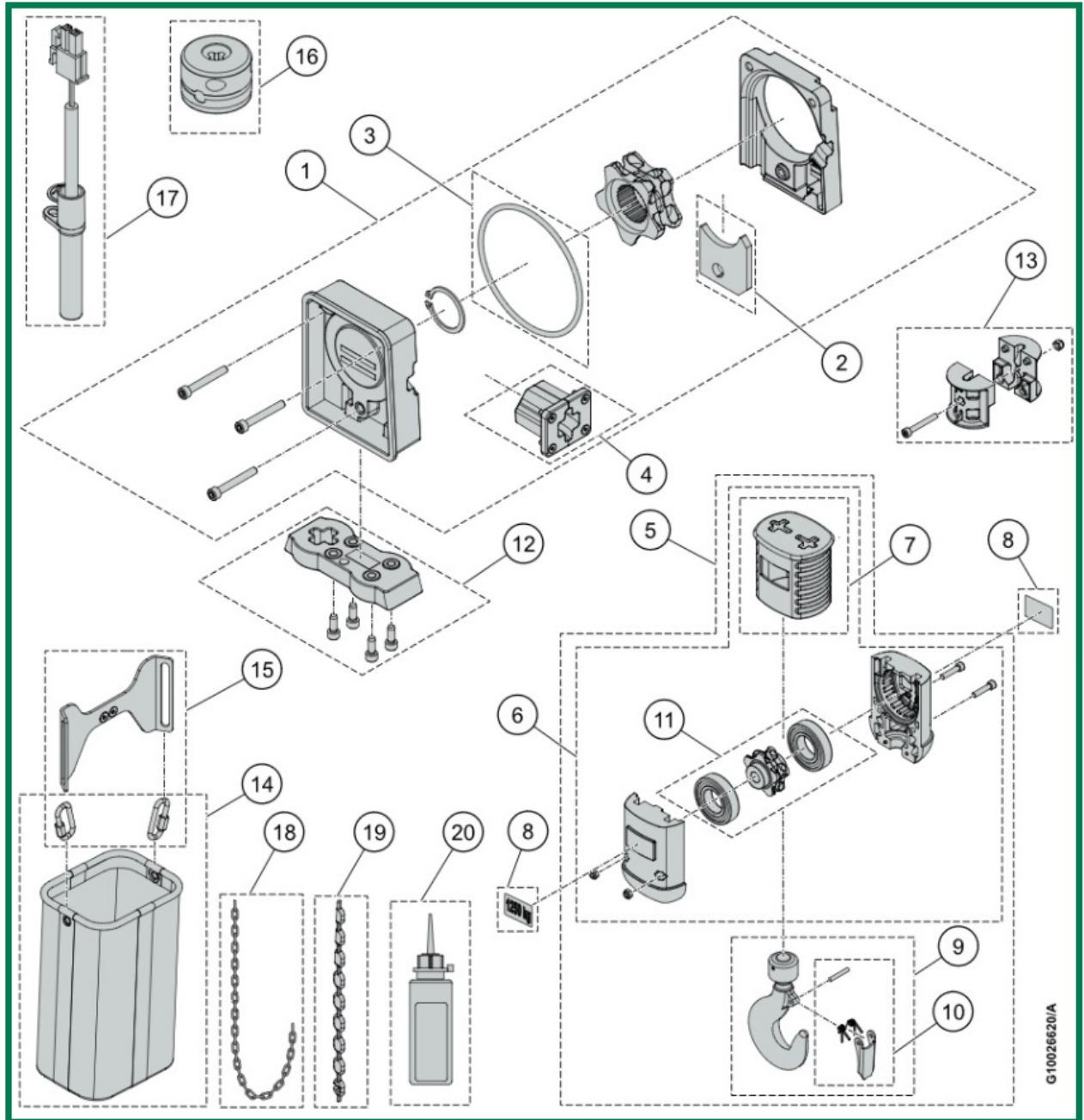
## 2.1. - 1 fall



### Chain guide - 1 fall

Item	Reference	Description	Observation	Quantity
1	<a href="#">VT0014324</a>	Chain guide		1
2	<a href="#">VT0014581</a>	Chain ejector		1
3	<a href="#">VT0013091</a>	Round seal		1
4	<a href="#">VT0014382</a>	External chain guide		1
5	<a href="#">VT0014344</a>	Hook block	1 fall	1
6	<a href="#">VT0014402</a>	Hook component	1 fall	1
7	<a href="#">VT0013095</a>	Rubber chain stop	1 fall	1
8	<a href="#">VT0014322</a>	Set of 10 load plates - Hook	1/2 TON - 1 fall	1
8	<a href="#">VT0014323</a>	Set of 10 load plates - Hook	1 TON - 1 fall	1
8	<a href="#">VT0006388</a>	Set of 10 load plates - Hook	500 Kg - 1 fall	1
8	<a href="#">VT0014241</a>	Set of 10 load plates - Hook	630 Kg - 1 fall	1
8	<a href="#">VT0006389</a>	Set of 10 load plates - Hook	1000 Kg - 1 fall	1
9	<a href="#">VT0006372</a>	Hook assembly	1 fall	1
10	<a href="#">VT0005903</a>	Safety latch	Standard hook	1
11	<a href="#">VT0006371</a>	Pin		1
12	<a href="#">VT0014381</a>	Chain deflector		1
13	<a href="#">VT0013100</a>	Chain stop		1
14	<a href="#">VT0014341</a>	Chain bag	20 m	1
14	<a href="#">VT0014342</a>	Chain bag	50 m	1
15	<a href="#">VT0014343</a>	Chain bag fixing set		1
16	<a href="#">VT0007404</a>	Limit switch activator		1
17	<a href="#">VT0014601</a>	Magnetic limit switch set		1
18	<a href="#">VT0014362</a>	Chain	Grade 100	1
18	<a href="#">VT0014361</a>	Chain	T	1
19	<a href="#">VT0013216</a>	Chain link		1
20	<a href="#">VT0006025</a>	Oil can		1
20	<a href="#">VT0009509</a>	Grease tube		1

## 2.2. - 2 falls

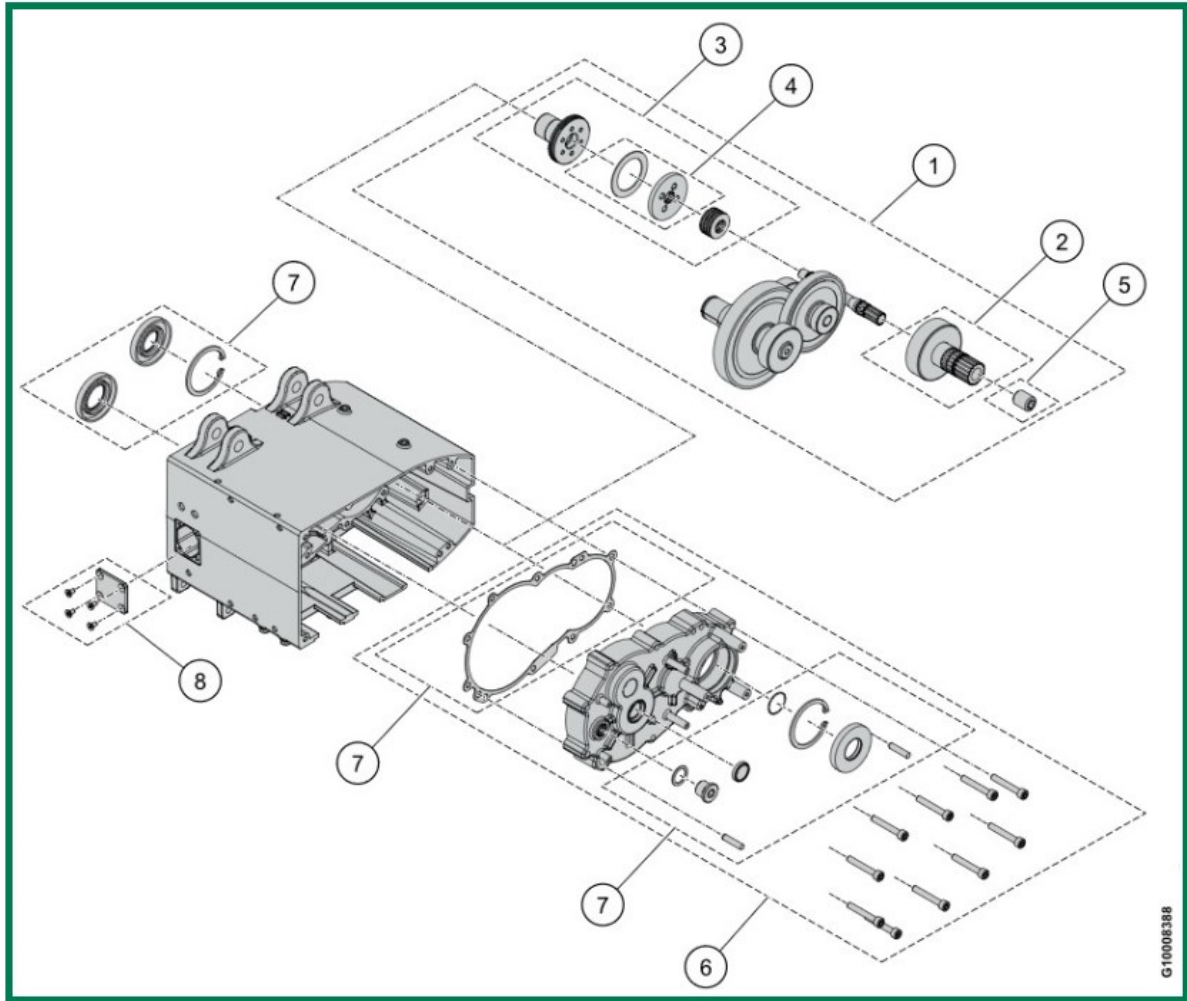




Chain guide – 2 falls

Item	Reference	Description	Observation	Quantity
1	<u>VT0014324</u>	Chain guide		1
2	<u>VT0014581</u>	Chain ejector		1
3	<u>VT0013091</u>	Round seal		1
4	<u>VT0014382</u>	External chain guide		1
5	<u>VT0014345</u>	Hook block	2 falls	1
6	<u>VT0014401</u>	Hook component	2 falls	1
7	<u>VT0013096</u>	Rubber chain stop	2 falls	1
8	<u>VT0014261</u>	Set of 10 load plates - Hook	1250 Kg - 2 falls	1
8	<u>VT0014281</u>	Set of 10 load plates - Hook	1600 Kg - 2 falls	1
8	<u>VT0014301</u>	Set of 10 load plates - Hook	2000 Kg - 2 falls	1
8	<u>VT0014321</u>	Set of 10 load plates - Hook	2500 Kg - 2 falls	1
9	<u>VT0006374</u>	Hook assembly	2 falls	1
10	<u>VT0005902</u>	Safety latch	RSN08 SR10 : 2 falls - SR25 : 1 fall	1
11	<u>VT0014403</u>	Return Sprocket		1
12	<u>VT0014381</u>	Chain deflector		1
13	<u>VT0013100</u>	Chain stop		1
14	<u>VT0014341</u>	Chain bag	20 m	1
14	<u>VT0014342</u>	Chain bag	50 m	1
15	<u>VT0014343</u>	Chain bag fixing set		1
16	<u>VT0007404</u>	Limit switch activator		1
17	<u>VT0014601</u>	Magnetic limit switch set		1
18	<u>VT0014362</u>	Chain	Grade 100	1
18	<u>VT0014361</u>	Chain	T	1
19	<u>VT0013216</u>	Chain link		1
20	<u>VT0006025</u>	Oil can		1
20	<u>VT0009509</u>	Grease tube		1

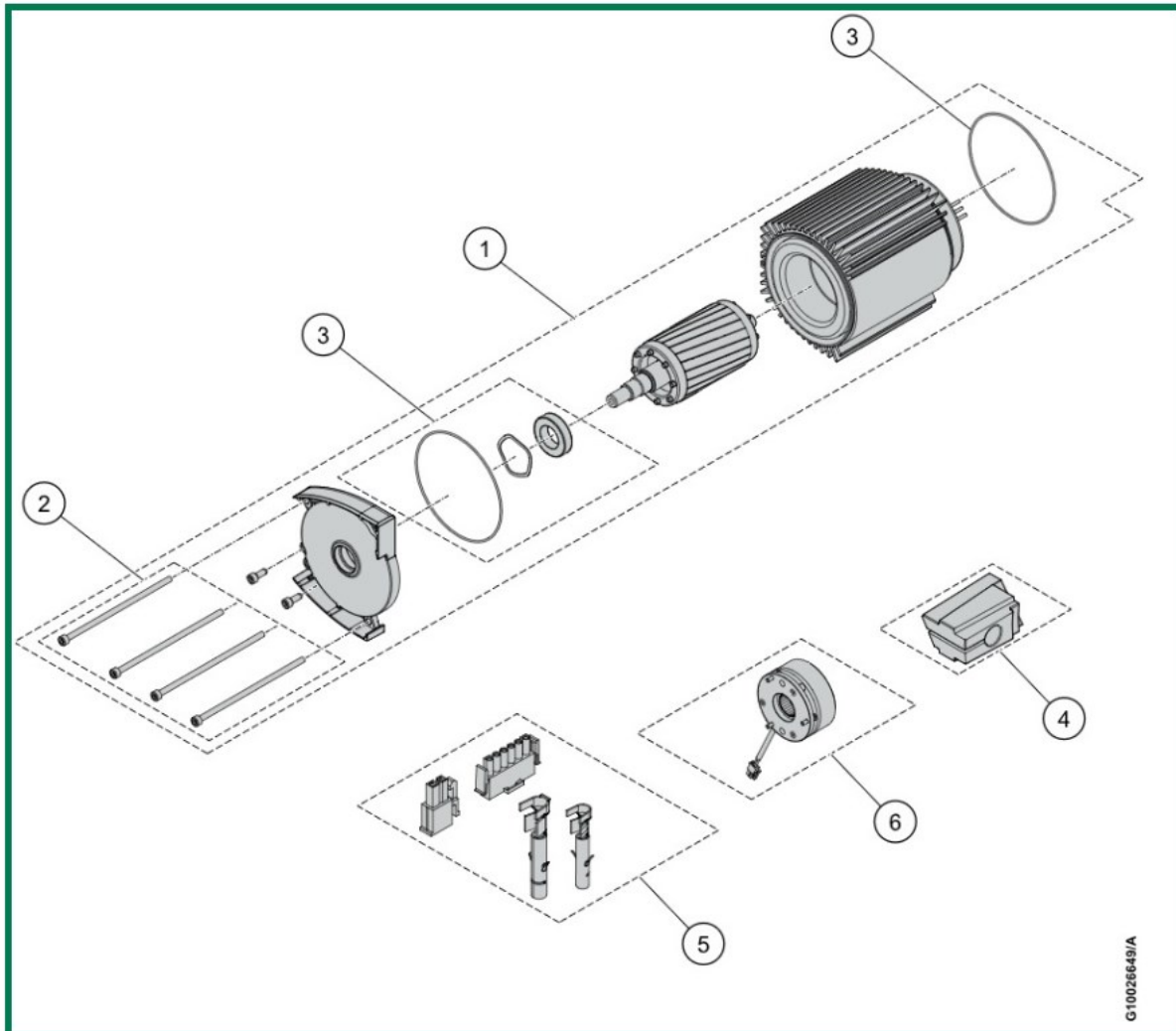
### 3. GEAR



Item	Reference	Description	Observation	Quantity
1	<a href="#">VT0013120</a>	Gear pinion set	Standard - 4m/min - 1 brake	1
1	<a href="#">VT0013121</a>	Gear pinion set	Standard - 6m/min - 1 brake	1
1	<a href="#">VT0013122</a>	Gear pinion set	Standard - 8m/min - 1 brake	1
1	<a href="#">VT0013123</a>	Gear pinion set	Standard - 12m/min - 1 brake	1
1	<a href="#">VT0013124</a>	Gear pinion set	Standard - 16m/min - 1 brake	1
1	<a href="#">VT0013125</a>	Gear pinion set	Standard - 24m/min - 1 brake	1
2	<a href="#">VT0013126</a>	Brake hub set		1
3	<a href="#">VT0013127</a>	Clutch		1
4	<a href="#">VT0013128</a>	Friction disc		1
5	<a href="#">VT0012563</a>	Screw set		1
6	<a href="#">VT0013129</a>	Gear box housing set	Standard	1
7	<a href="#">VT0013136</a>	Sealing set		1
8	<a href="#">VT0013092</a>	Cap assembly		1



## 4. MOTOR



Item	Reference	Description	Observation	Quantity
1	<a href="#">VT0014525</a>	Motor 380-415V / 50Hz	MT10NB200-209P37005E-IP55	1
2	<a href="#">VT0010556</a>	Screw set		1
3	<a href="#">VT0013141</a>	Sealing + Bearing set		1
4	<a href="#">VT0013138</a>	Rubber		1
5	<a href="#">VT0012758</a>	Motor connectors		1
6	<a href="#">VT0008039</a>	Double brakes	103V	1
6	<a href="#">VT0008040</a>	Double brakes	190V	1
6	<a href="#">VT0014523</a>	Double brakes	255V	1
6	<a href="#">VT0014524</a>	Double brakes	320V	1
6	<a href="#">VT0008037</a>	Single brake	103V	1
6	<a href="#">VT0008038</a>	Single brake	190V	1
6	<a href="#">VT0014521</a>	Single brake	255V	1
6	<a href="#">VT0014522</a>	Single brake	320V	1

