



Spare Parts for SL05 Stagemaker

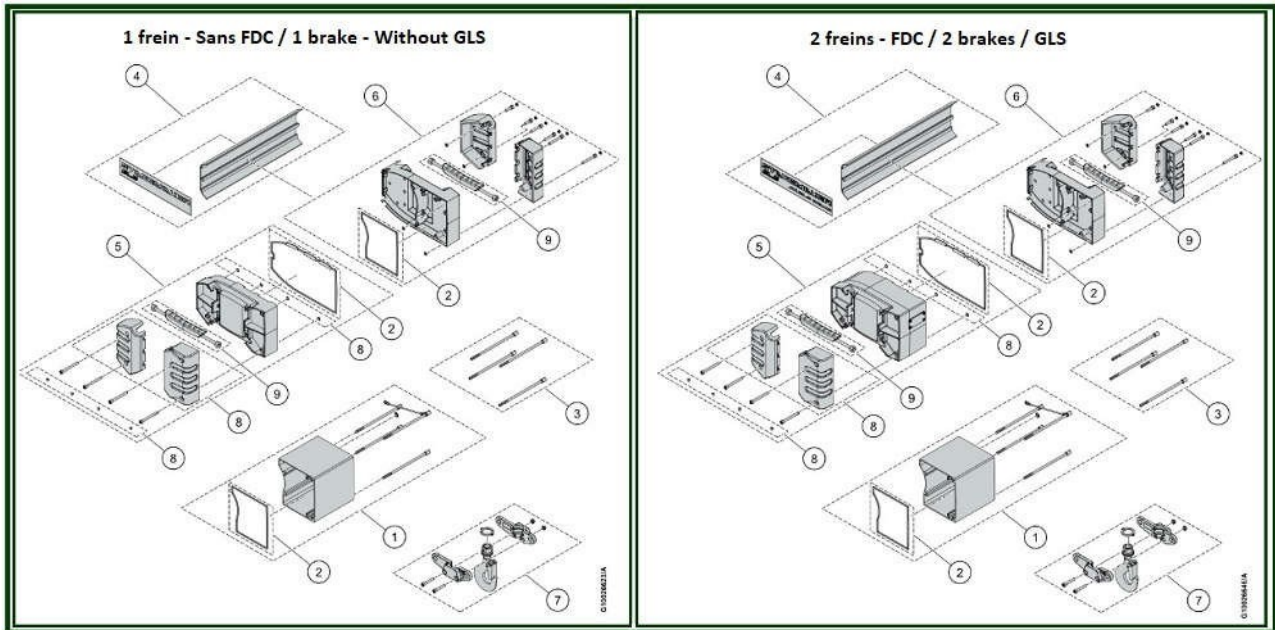
To avoid errors, when ordering please specify:

- Complete type of hoist
- Date of manufacture and serial number
- Spare part code
- Spare part designation
- Additional information

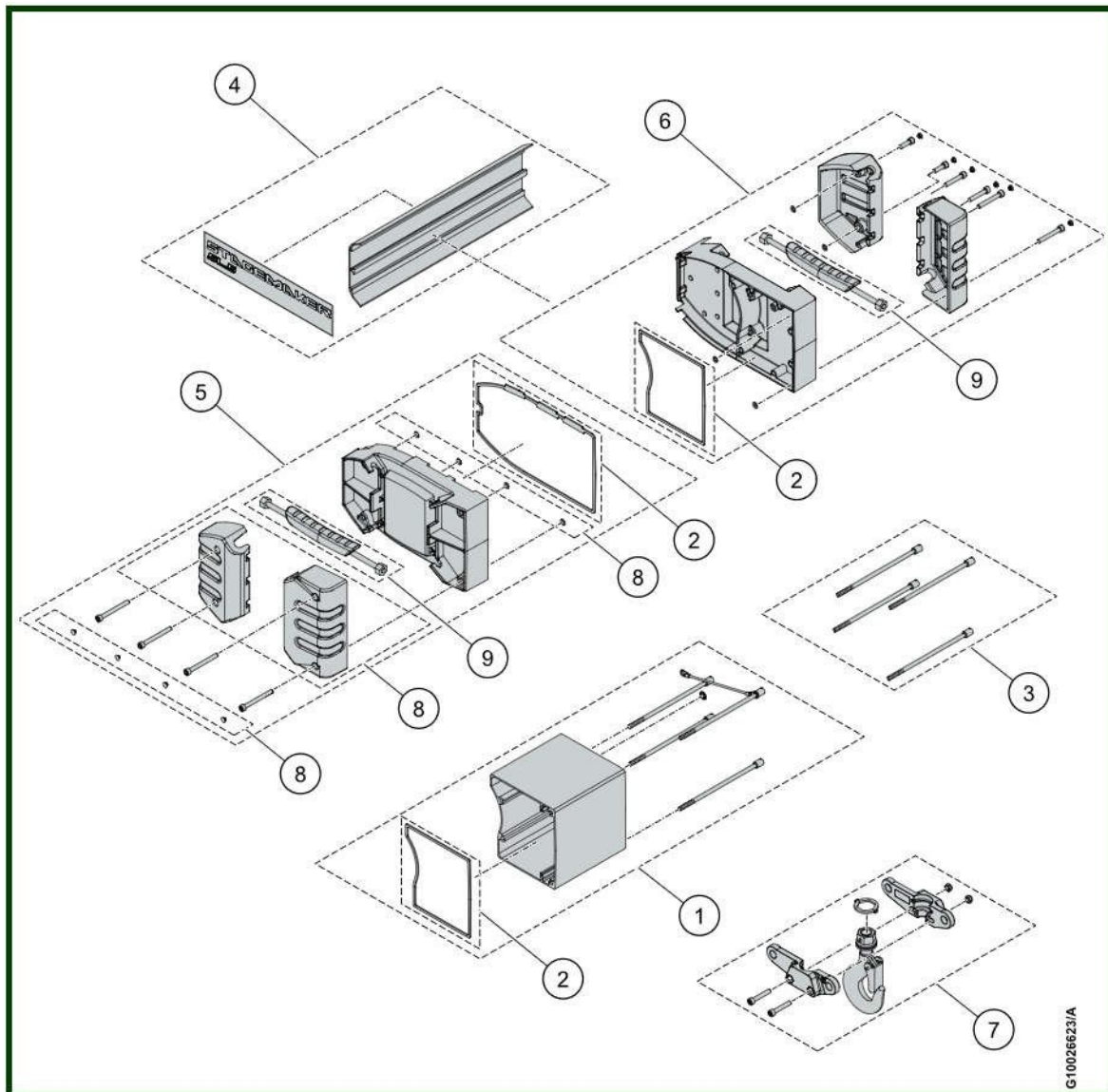


1. FRAME	2
1.1. 1 brake - Without GLS	3
1.2. 2 brakes - GLS.....	4
2. CHAIN GUIDE.....	5
2.1. 1 fall.....	5
3. GEAR.....	7
4. MOTOR	8
5. ELECTRICAL PARTS	9
5.1. A version	10
5.2. B version.....	11

1. FRAME



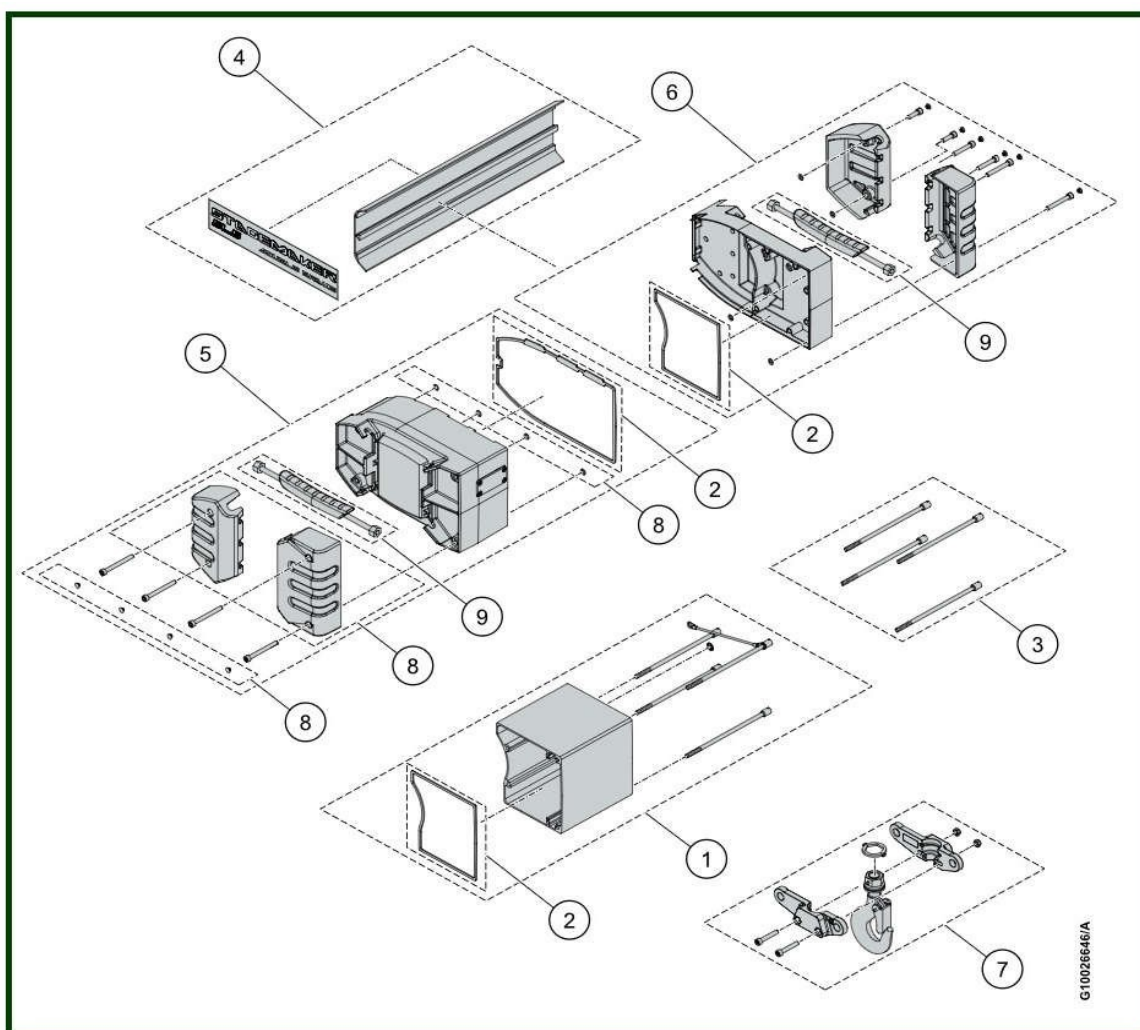
1.1. 1 brake - Without GLS



G10026623/A

Item	Reference	Description	Observation	Quantity
1	VT0012520	Housing module		1
2	VT0009308	Sealings set		1
3	VT0007015	Screw set		1
4	VT0014122	Cover set - Front side	1 Brake	1
5	VT0014124	Cover - Motor side	1 Brake	1
6	VT0014126	Cover - Motor side		1
7	VT0014127	Upper suspension		1
8	VT0014541	Buffer		1
9	VT0014527	Handle		1

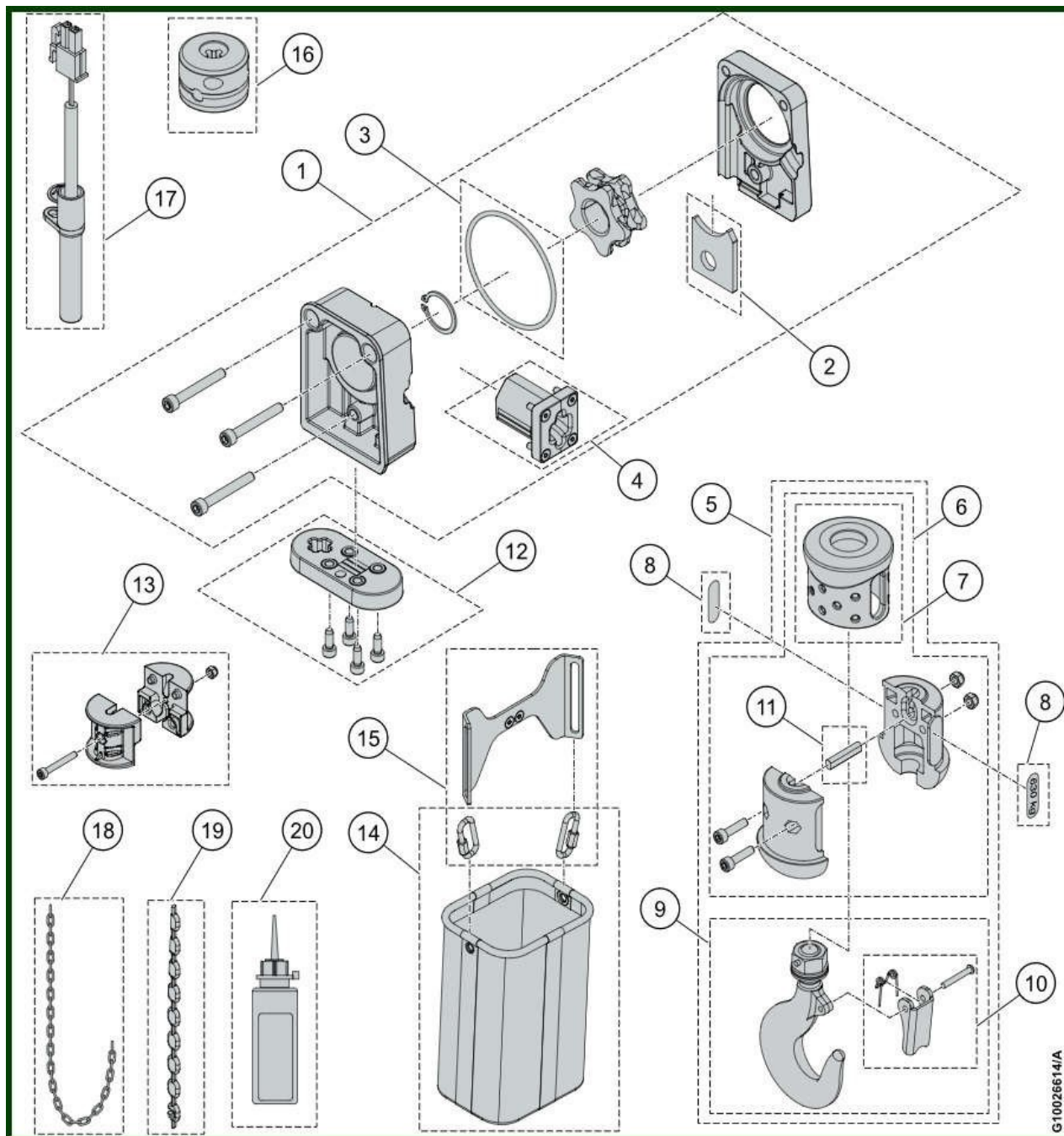
1.2. 2 brakes - GLS



Item	Reference	Description	Observation	Quantity
1	VT0012520	Housing module		1
2	VT0009308	Sealings set		1
3	VT0007015	Screws set		1
4	VT0014123	Cover set - Front side - 4 comes	2 brakes - Extension	1
5	VT0014125	Cover - Motor side - 4 comes	2 brakes - Extension	1
6	VT0014126	Cover - Motor side		1
7	VT0014127	Upper suspension		1
8	VT0014541	Buffer		1
9	VT0014527	Handle		1

2. CHAIN GUIDE

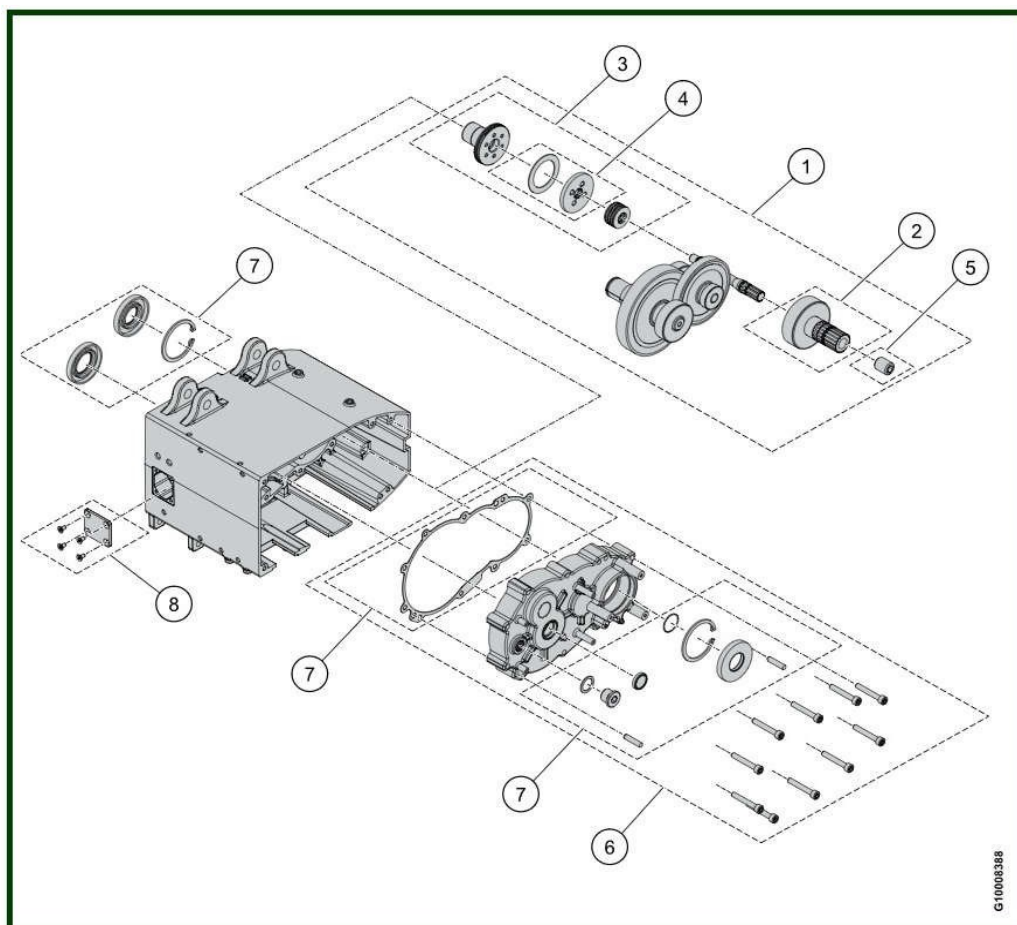
2.1. 1 fall



CHAIN GUIDE – 1fall

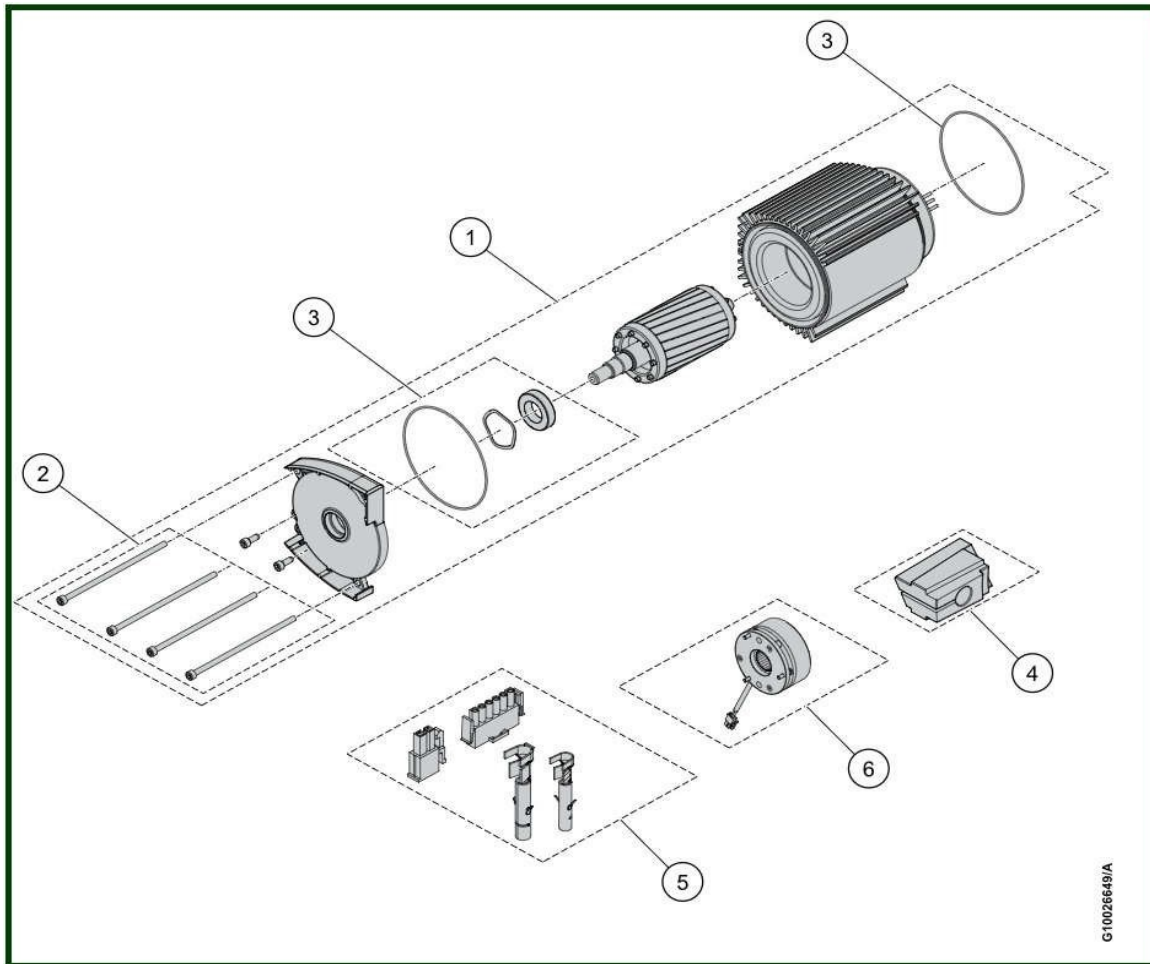
Item	Reference	Description	Observation	Quantity
1	<u>VT0014182</u>	Chain guide		1
2	<u>VT0014184</u>	Chain ejector		1
3	<u>VT0006095</u>	O-ring		1
4	<u>VT0014185</u>	External chain guide		1
5	<u>VT0014186</u>	Complete hook	1 fall	1
7	<u>VT0012534</u>	Rubber chain stop		1
8	<u>VT0014189</u>	Set of 10 load plates - Hook	1/2 TON	1
8	<u>VT0014188</u>	Set of 10 load plates - Hook	1/4 TON	1
8	<u>VT0014190</u>	Set of 10 load plates - Hook	1/8 TON	1
8	<u>VT0014187</u>	Set of 10 load plates - Hook	125 kg	1
8	<u>VT0010478</u>	Set of 10 load plates - Hook	250 kg	1
8	<u>VT0010479</u>	Set of 10 load plates - Hook	320 kg	1
8	<u>VT0010480</u>	Set of 10 load plates - Hook	500 kg	1
9	<u>VT0004975</u>	Standard hook		1
10	<u>VT0012996</u>	Safety latch	Standard	1
11	<u>VT0006240</u>	Shaft		1
12	<u>VT0014561</u>	Chain deflector		1
13	<u>VT0012546</u>	Chain stop	5,1x15,1	1
14	<u>VT0014202</u>	Chain bag	6 m	1
14	<u>VT0014203</u>	Chain bag	16 m	1
15	<u>VT0014662</u>	Chain bag support + Quick link		1
16	<u>VT0007407</u>	Magnetic limit switch activator		1
17	<u>VT0014602</u>	Magnetic limit switch set		1
18	<u>VT0014642</u>	Chain	5,1x15,1 T100	1
18	<u>VT0014641</u>	Chain	5,1x15,1 T	1
19	<u>VT0013317</u>	Chain link		1
20	<u>VT0006025</u>	Oil can		1
20	<u>VT0014204</u>	Food chain lubricant	125 ml KLUB NH1	1
20	<u>VT0009509</u>	Grease tube		1

3. GEAR



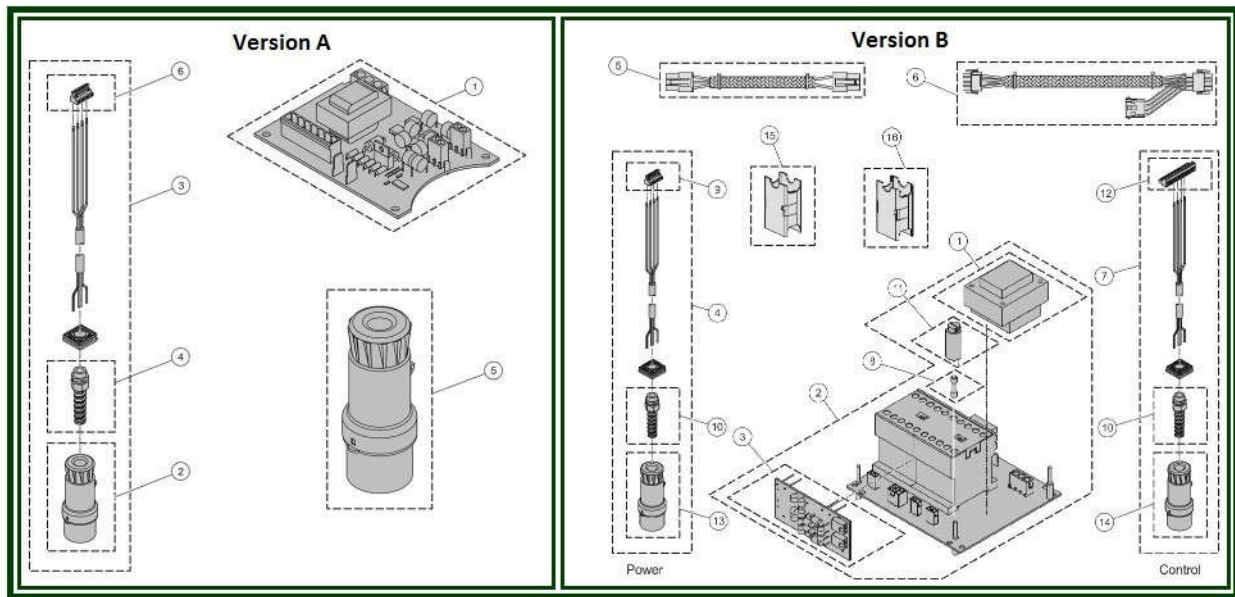
Item	Reference	Description	Observation	Quantity
1	VT0012496	Gear pinion set	4 m/min	1
1	VT0012556	Gear pinion set	8 m/min	1
1	VT0012557	Gear pinion set	12 m/min	1
1	VT0012558	Gear pinion set	16 m/min	1
1	VT0012559	Gear pinion set	24 m/min	1
2	VT0012560	Brake hub + screw		1
3	VT0012561	Clutch		1
4	VT0012562	Friction disc		1
5	VT0012563	Screw set		1
6	VT0012583	Gearbox housing set	GLS	1
6	VT0012564	Gearbox housing set	Standard	1
7	VT0012584	Sealing sets	GLS	1
7	VT0012565	Sealing sets	Standard	1
8	VT0012529	Cap assembly		1

4. MOTOR

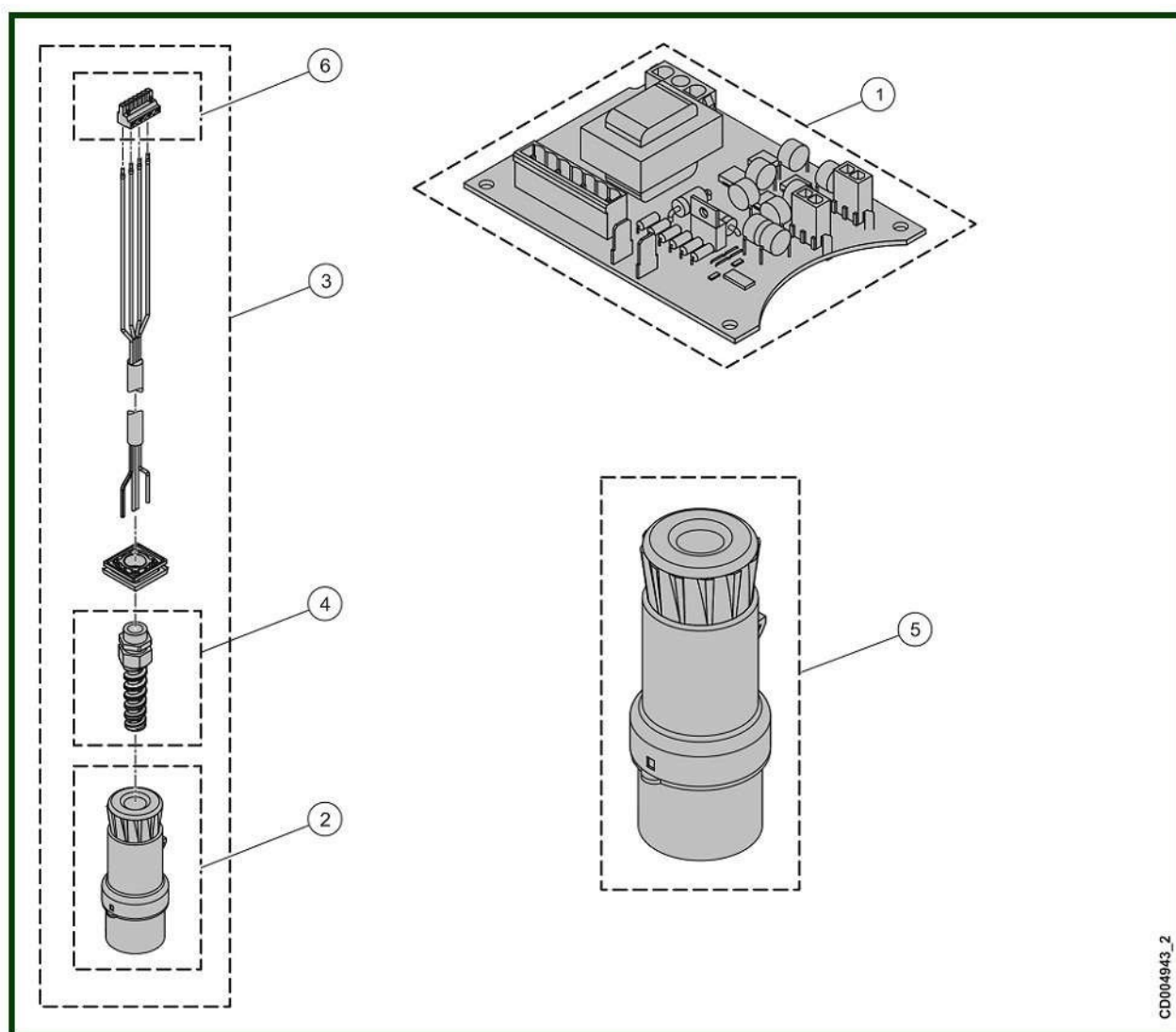


Item	Reference	Description	Observation	Quantity
1	VT0014502	Hoisting motor	MT08NB200-133P37004E-IP55	1
2	VT0010556	Screws set		1
3	VT0012567	Sealing set + Bearings		1
4	VT0012568	Rubber cable		1
5	VT0012758	Motor connectors		1
6	VT0006259	Double brake	103V	1
6	VT0006258	Double brake	190V	1
6	VT0006475	Double brake	255V	1
6	VT0006476	Double brake	320V	1
6	VT0004661	Single brake	103V	1
6	VT0004979	Single brake	190V	1
6	VT0006473	Single brake	255V	1
6	VT0006474	Single brake	320V	1

5. ELECTRICAL PARTS



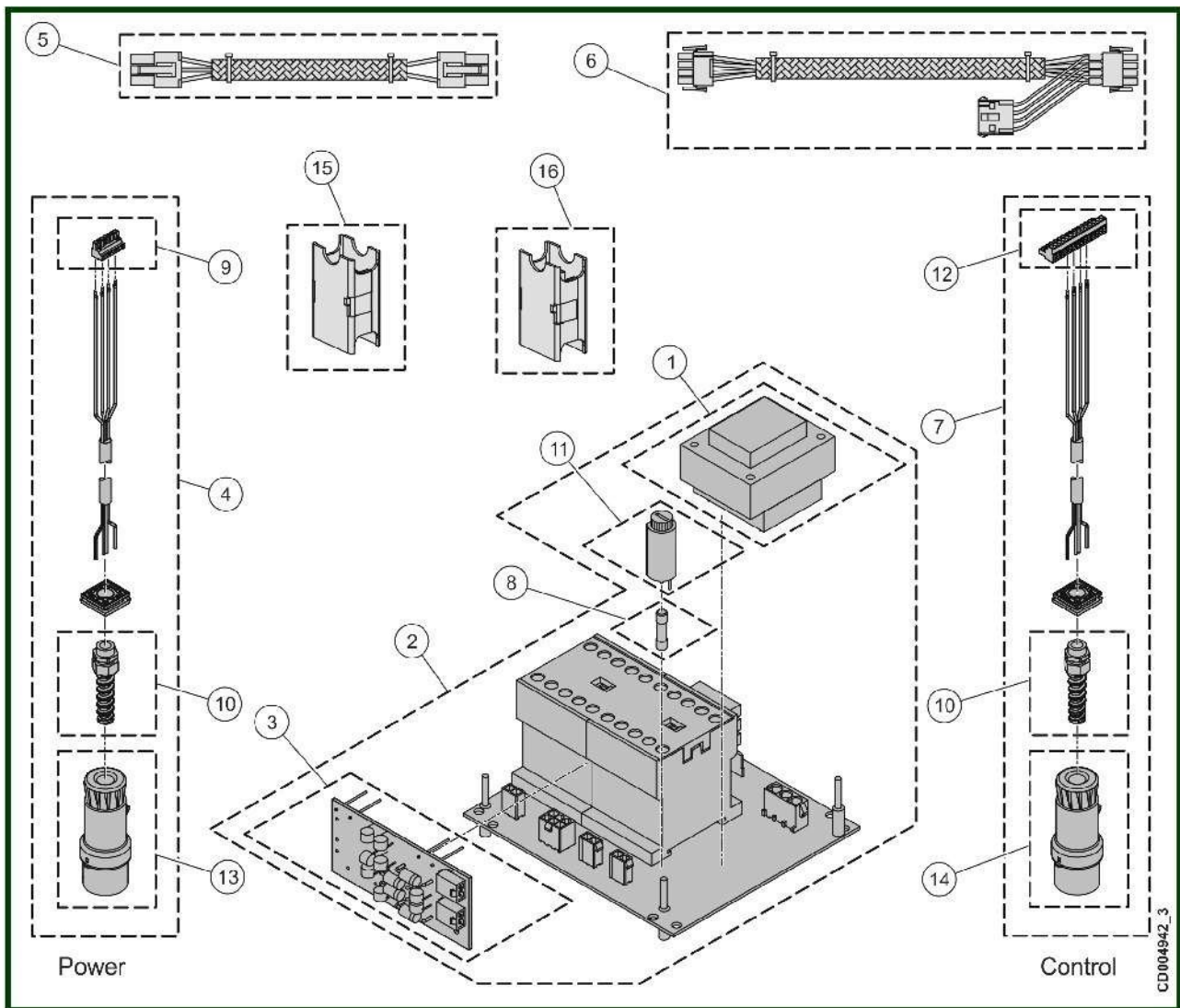
5.1. A version



CD0004943_2

Item	Reference	Description	Observation	Quantity
1	<u>VT0006000</u>	ACF card	1 speed	1
2	<u>VT0006087</u>	Power supply male blue plug	230V / 3P+T EXCEPT USA	1
2	<u>VT0006086</u>	Power supply male red plug	400V/3P+T EXCEPT USA	1
3	<u>VT0006078</u>	Power supply male blue plug with cable	230V / 3P+T / EXCEPT USA 230V / 50-60HZ	1
3	<u>VT0006076</u>	Power supply male red plug with cable	400V / 3P+T / EXCEPT USA 380-415V / 50-60HZ	1
4	<u>VT0006399</u>	Spiral cable gland	EXCEPT USA	1
5	<u>VT0006085</u>	Female blue plug	230V / 3P+T	1
5	<u>VT0006001</u>	Female red plug	400V / 3P+T	1
6	<u>VT0005107</u>	Power connector - 4 P	1 speed	1

5.2. B version



Version B

Item	Reference	Description	Observation	Quantity
1	<u>VT0006193</u>	Transformer - 208V / 115V		1
1	<u>VT0006407</u>	Transformer - 230V / 48V		1
1	<u>VT0006408</u>	Transformer - 230V / 115V		1
1	<u>VT0006192</u>	Transformer - 400V / 48V		1
1	<u>VT0006406</u>	Transformer - 460V / 115V		1
2	<u>VT0006097</u>	Electrical board - 1 speed - 2 brakes	208V 50-60HZ / 115V	1
2	<u>VT0006404</u>	Electrical board - 1 speed - 2 brakes	230V / 50HZ / 48V	1
2	<u>VT0006405</u>	Electrical board - 1 speed - 2 brakes	230V / 50HZ /115V	1
2	<u>VT0006099</u>	Electrical board - 1 speed - 2 brakes	400V 50HZ / 48V	1
2	<u>VT0006098</u>	Electrical board - 1 speed - 2 brakes	460V 50-60HZ / 115V	1
3	<u>VT0004947</u>	Rectifier - 2 brakes	208V - 690V	1
4	<u>VT0006078</u>	Power supply male blue plug with cable	230V / 3P+T / EXCEPT USA 230V / 50-60HZ	1
4	<u>VT0007584</u>	Power supply male blue plug with cable	230V / 50-60HZ	1
4	<u>VT0006076</u>	Power supply male red plug with cable	400V / 3P+T / EXCEPT USA 380-415V / 50-60HZ	1
5	<u>VT0004949</u>	Wire harness - Plug control voltage		1
6	<u>VT0004950</u>	Wire harness - Plug power voltage		1
7	<u>VT0006409</u>	Control yellow plug with cable	EXCEPT USA	1
8	<u>VT0006194</u>	Fuses set - 48V		1
8	<u>VT0006195</u>	Fuses set - 115 V		1
9	<u>VT0005107</u>	Power connector - 4 P	1 speed	1
10	<u>VT0006399</u>	Spiral cable gland	EXCEPT USA	1
11	<u>VT0006191</u>	Fuse base		1
12	<u>VT0006412</u>	Wire harness - Plug power voltage - 5 P	721-2105	1
12	<u>VT0007585</u>	Wire harness - Plug power voltage - 5 P	721-605	1
13	<u>VT0006087</u>	Power supply male blue plug	230V / 3P+T EXCEPT USA	1
13	<u>VT0006086</u>	Power supply male red plug	400V/3P+T EXCEPT USA	1
14	<u>VT0009192</u>	Control yellow plug	24V-230V	1
14	<u>VT0006190</u>	Control yellow plug	EXCEPT USA	1
15	<u>VT0006410</u>	Power adaptater	208V-600V	1
16	<u>VT0006411</u>	Control adaptater	24V-230V	1