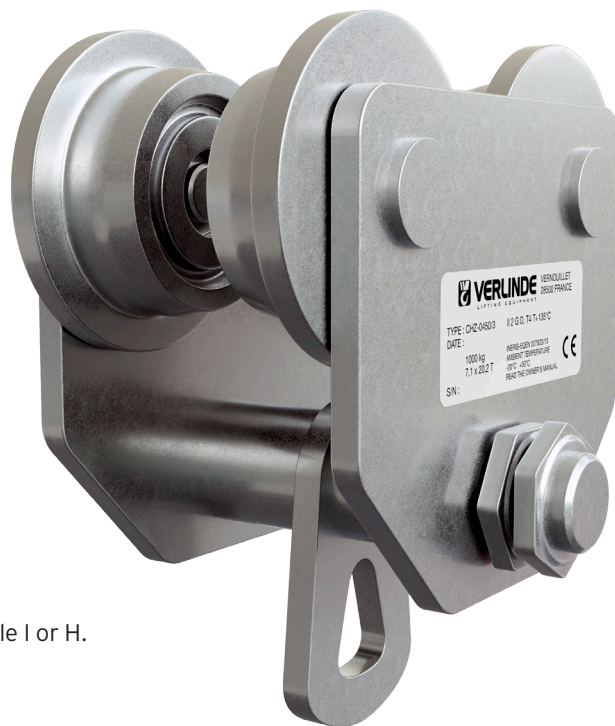


# CHZ<sup>®</sup> INOX

Stainless steel trolley for loads from 500 to 1,000 kg



## Technical characteristics

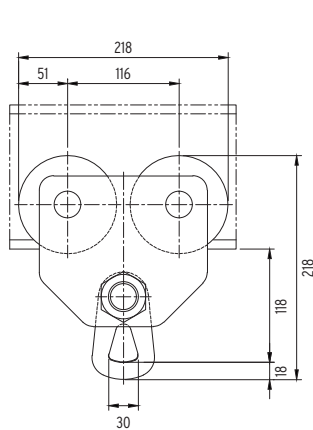
- > CHZ INOX trolley totally Stainless steel : End plate, suspension beam, load wheel.
- > The CHZ INOX trolley may be used with any type of manual lifting equipment fitted with a hook.
- > Push travel trolley.
- > Stainless steel load wheel made on machine center for smooth motion.
- > Stainless steel load wheel compatible with all type of profile I or H.
- > Bearing are dust protected and maintenance free.
- > Serial number on plate fixed on the frame.
- > CE certificate.
- > Surface Treatment : Electrolytic Polishing.

## Options

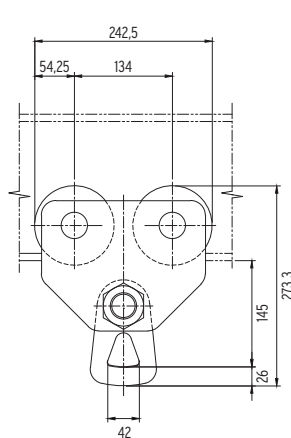
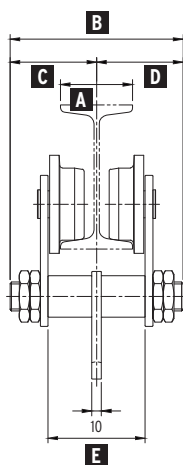
- > ZHV INOX hand chain block.
- > Setting of beam width.

## Material list

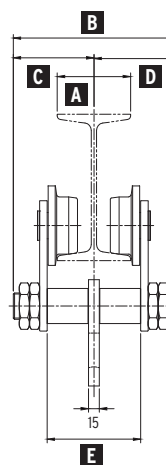
- > Plate and Toller : SUS304.
- > Bearing : SUS420.
- > Name Plate : SUS316.



**CHZ<sup>®</sup>**  
500 kg



**CHZ<sup>®</sup>**  
1000 kg



Load (kg)	Dimensions in mm					Min. distance from hook to traversing beam (mm)	Beam width (mm)	Min Radius (mm)	Weight (kg)
	A	B	C	D	E				
500	75	180	90	90	101	118	64	1200	10,5
	100	205	102,5	102,5	126	118	64	1200	10,5
	125	230	115	115	151	118	64	1200	10,5
1000	100	220	110	110	128	145	82	1300	15,8
	125	245	122,5	122,5	153	145	82	1300	15,8
	150	270	135	135	178	145	82	1300	15,8