

MR WINCH



INSTRUCTION MANUAL

ELECTRIC WINCH MR TYPE

In an endeavour to improve its products, VERLINDE reserves the right to alter the equipment featured herein and supply it, in this case, different to the illustrations or specifications of these instructions.

Reproduction prohibited

Contents

1 - Conditions of use.....	2
2 - Safety instructions	3
3 - Warranty	4
4 - Reception of the equipment	5
5 - Obligatory regulatory checks by the user.....	5
6 - Presentation of the machines.....	5
7 - Handling - Storage.....	8
8 - Installation and set-up	8
9 - Servicing and maintenance	14
10 – Taking out of use.....	15
11 - Spare parts	15
12 – Frequently asked questions	16
13 – Declaration of EC conformity	17
14 – Appendix	18

1 – Conditions of use

Users must read the set-up instructions carefully before using the product for the ^{first} time. These instructions should enable the user to familiarise themselves with the winch and use it to its full capacity. The set-up instructions contain important information about how to use the winch in a safe and correct manner. Compliance with these instructions helps to avoid danger, reduce repair costs, reduce stoppage time and improve the reliability and service life of the winch. The instruction manual must always be available in the place where the winch is being used. In addition to the set-up instructions and regulations concerning the prevention of accidents, the work safety and trade rules in force in each country must also be respected.

This equipment is governed by European regulations and more specifically Directive 2006/42/EC on machinery, EMC Directive 2004/108/EC and LVD 2006/95/EC, as well as the EN 14492/1 standard.

These winches are designed to move loads using a suitable steel rope. They have been designed to perform lifting and pulling operations within the defined load capacity limit and with safety factor 5 (static against sudden failure).

- For use in lifting, the European regulation makes certain equipment obligatory, such as a limit switch system and, for loads of 1,000 kg or more, a load limiter.
- The operator must check that this equipment is present (available as an option from the manufacturer) before using the product for lifting purposes.
- The capacity indicated on the winch corresponds to the maximum capacity of use (MCU); in no event should this capacity be exceeded.
- **This winch can, under no circumstances, be used to lift people.**

- Do not begin moving the load until you have attached it correctly and checked that all personnel are outside the danger zone.
- Before use, the operator must always check that the machine, rope, hook, markings and moorings are in good working order.
- The operator must check that the load is attached in such a way that the winch, the cable and the load place neither the operator nor any other person in danger.
- The winches can be used at ambient temperatures ranging from -10°C to +50°C. Please consult the manufacturer in the event of extreme conditions of use.

Important: In the event of an ambient temperature below 0°C, the brake must be tested to ensure that there are no operating faults resulting from the freezing conditions.
Use of winches requires strict compliance with the accident prevention and safety measures in force in the country.

The data concerning the resistance of the steel rope and its fastenings to heat must be available on request from the manufacturer and must be respected.

- The manufacturer accepts no liability for the consequences resulting from the use or installation of equipment not provided for in the present instructions or for the consequences of disassembly, modifications or replacement of original parts or components with parts or components from other sources without the written agreement of the manufacturer.

VERLINDE provides an upkeep / maintenance manual for each piece of equipment. It is very important to make sure that the individuals using the hoist are familiar with the equipment and its correct operation.

VERLINDE agencies are available and may, upon request or by contract, intervene and maintain the winch if necessary.

If any replacement parts are needed, please specify the following information so that we may supply the appropriate parts:

- the complete name of the winch
- the complete name of the hoisting motor if necessary
- the serial number of the winch

The 3 items above are listed on the ID plates attached to the winch, motors and on the inspection certificates.

For further information, please contact the winch manufacturer or the distributor.
Manufactured by :

Manufactured by:

VERLINDE
VERNOUILLET- FRANCE
2, Boulevard de l'industrie
B.P. 59 28501 VERNOUILLET CEDEX
Phone: +33 (0)2.37.38.95.95
Fax: +33 (0)2.37.38.95.99

YOU MUST ALSO RESPECT THE REGULATIONS APPLICABLE IN YOUR COUNTRY.

2 – Safety instructions

Before using the equipment, check that there are no causes of overloading such as: adhesion to the ground, suction, jamming, etc. of the load.

As the operator of the winch, you are responsible for your own safety and the safety of your colleagues in the work area of the machine.

The operator must respect all the following safety information, without exception, concerning the handling and operation of the winch as well as the references to other sections of this instruction manual. Non-compliance with these instructions increases the level of risk.

- Only the people designated by the company are authorised to operate the winch
- Before using the winch for the first time, familiarise yourself with its conditions of use. Read the present instruction manual carefully and in its entirety and perform all the operations described herein one after the other.
- Inform your departmental manager or the safety officer of any malfunction so that the fault can be repaired immediately.
- Respect the directives of the industrial accident prevention organisations such as, in France, the Caisse d'Assurance Retraite et de la Santé au Travail (C.A.R.S.A.T.) and the Health and Safety Committee (HSC) of your company, if one exists.
- You must scrupulously respect the information in the sections concerning the CONDITIONS OF USE (below) and the WORK ROPE (page 10)
- The operator(s) must have an unimpeded view of the load.
- Please ensure that the operator is qualified to operate the machine in the conditions provided for in this manual. This will ensure the safety of both people and the environment.
- Do not lift or transport loads when there are personnel inside the danger zone.
- Do not authorise the personnel to walk under a suspended load.
- Do not leave a load suspended or with the rope taut unsupervised.

In addition to the above instructions, we must warn you against all incorrect use or handling listed below. It is dangerous and prohibited to:

- unwind the drum completely (retain 2 to 3 residual windings).
- pull at an angle.
- swing the load.
- use ropes with a diameter and texture which do not correspond to the specifications in this manual (FEM 1dm – ISO M1).
- use damaged ropes or ropes with splices.
- grab or touch a moving cable or a rotating drum.
- use hooks without a latch, which do not correspond to the loads indicated on the winch or which are in poor condition.
- insert objects into moving parts.
- work on loaded winches or when the rope is taut
- use the winch rope as a towing chain.
- drum on the control box (overheating of the motor and electrical equipment).
- place hands or clothes, etc. in contact with moving parts, in particular the areas where the rope is wound in/out.

3 – Warranty

Our electric winches are guaranteed for 1 year from the date of shipment (ex-works). The seller undertakes to repair any operating fault resulting from a fault in the design, execution, components or materials themselves.

The warranty does not cover wear and tear or damage resulting from a lack of regular or periodic maintenance. It does not cover damage resulting from a lack of supervision, incorrect handling or an incorrect use of the machines, in particular overloading, pulling at an angle, under or overvoltage or incorrect connection.

The warranty does not apply to any disassembly, modification or replacement of mechanical or electrical parts undertaken without our agreement or by a non-approved operator. The warranty only applies to the manufacturer's original spare parts. During the warranty period, the seller must replace or repair any parts recognised as faulty after inspection by the qualified and approved department, all free of charge.

The warranty excludes all other services or compensation.

Repairs undertaken within the framework of the warranty are, in principle, performed in the seller's workshops or the workshop of their representative approved by the manufacturer. When the intervention

on the equipment occurs outside their workshops, the seller must cover the labour costs related to the disassembly or reassembly of these parts if these operations are performed exclusively by their personnel or their representative approved by the manufacturer. The parts replaced become the property of the seller and must be returned to them at their cost.

In the case of components with a particular relative importance not manufactured by the seller themselves and which carry the brand of specialist manufacturers, the warranty, which may vary according to the manufacturer, is the same as that agreed by this manufacturer.

4 – Reception of the equipment

Conduct a visual inspection of the packaging to ensure that it is in good condition.
In the event of an anomaly, issue the usual reserves.
Check that the winch corresponds to your order.

5 – Obligatory regulatory checks by the user

This equipment has been designed to be tested:

- In a dynamic situation, with coefficient 1.1
- In a static situation, with coefficient 1.25

The users are required to comply with the standards in force in their country.

With regard to France:

Order of 1st March 2004 relating to the verification of lifting machines and accessories:

The modifications to the regulation relating to the use and verification of lifting machines and accessories, which came into effect on 1st April 2005, impose new obligations on all users:

- The suitability inspection which involves checking that the lifting machine is suitable for the work that the user intends to carry out as well as for the risks to which workers are exposed and that the intended operations are compatible with the conditions of use for the machine defined by the manufacturer.
- The assembly and installation inspection, which involves ensuring that the lifting machine is assembled and installed in a safe way in accordance with the manufacturer's instruction manual,
- The general periodic visits, which involve an inspection of the state of preservation and the operating tests.
- The set-up or renewed set-up inspections: in the event of a change in the place of use, the configuration or the conditions of use on the same site; following the disassembly and subsequent reassembly of the lifting machine; after any major replacement, repair or transformation concerning the essential components of the lifting machine; following any accident caused by the failure of an essential component of the lifting machine.
- The maintenance booklet (Order of 2nd March 2004 applicable from 1st April 2005) which must be used to record the maintenance operations carried out in accordance with the recommendations of the manufacturer of the machine as well as any other inspection, maintenance operation, repair, replacement or modification carried out on the machine. For each operation, it is essential to record the date of the work, the names of the people and, where appropriate, the companies which carried out the work, the nature of the operation and, if it is a periodic operation, the frequency. If the operations involve the replacement of certain components of the machine, the references of these components are indicated.

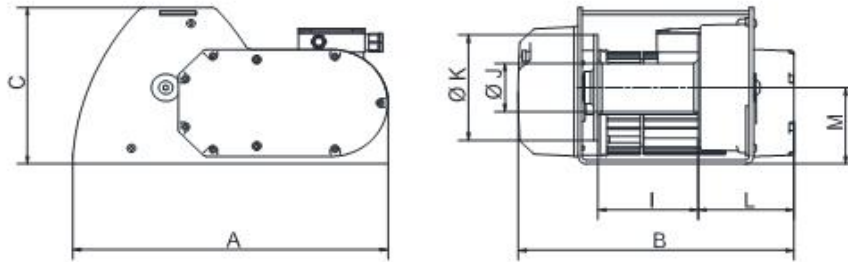
6 – Presentation of the machines

6.1. General information

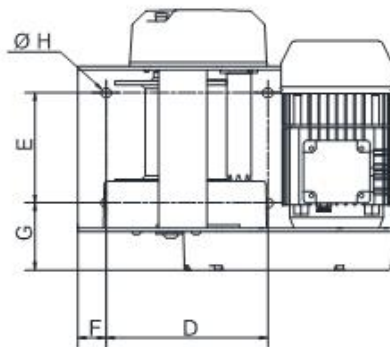
These winches are available in 150 kg, 300 kg and 500 kg versions, with limit switch. They are intended for an occasional use for pulling or lifting loads.

- . Rigid steel structure
- . Mechanically welded steel drum with wide flanges for safe and sound fastening of the rope.
- . 230 volt, 50 Hz single-phase lifting-type self-braking motor. P = 0.25 kW (MR1 150 kg) or P=0.37 kW (MR2 300 kg/MR3 500 kg) – Insulation class F – IP 44 (MR1 150 kg) or IP 54 (MR2 300 kg/ MR3 500 kg).
- . The FEM category is 1 dm (ISO: M1).
- . 230 V single-phase control box. – IP 65 double insulation.
- . Emergency stop as standard

6.2. Dimensions

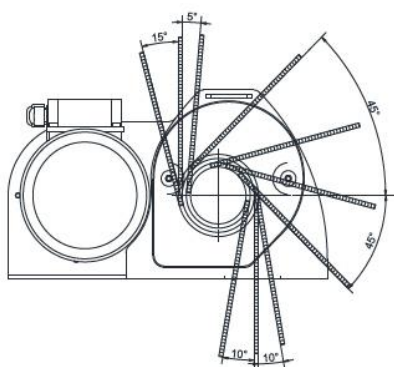


Fixation

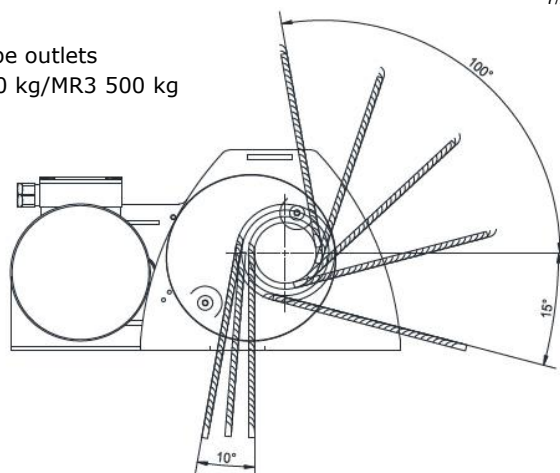


	MR1 150 kg	MR2 300 kg	MR3 500 kg
A	310	390	390
B	281	341	341
C	179	205	205
D	154	200	200
E	114	144	144
F	15	35	35
G	68	88	88
Ø H	9	13	13
I	105	124	124
Ø J	54	63,5	63,5
Ø K	122	138	138
L	76	118,5	118,5
M	79	100	100

Wire rope outlets MR 150



Wire rope outlets
MR2 300 kg/MR3 500 kg



6.3. Models available

References	MR1 150 kg	MR2 300 kg	MR3 500 kg
Force on the 1st layer kg	150	300	500
Force on the upper layer kg	150	300	500
No. of layers	3	3	3
Rope cap. on the 1st layer m *	4	4	4
Rope cap. on the upper layer m *	15	16	13,5
Rope Ø mm	4	5	6
Speed on the 1st layer m/min.	5,5	4,6	2,6
Speed on the upper layer m/min.	7	6	3,5
FEM	1Dm	1Dm	1Dm
Motor kW	0,25	0,37	0,37
Power supply	1Ph - 230 V	1Ph - 230 V	1Ph - 230 V
Weight (bare winch, without rope) kg	14	27	27

Important: the rope diameter indicated above corresponds to rope established in the FEM 1 Dm / ISO M1 classification. It also corresponds to the capacity on the last layer.

Important: it must be ensured that the cable strength coefficient matches the load lifted (FEM 1 Dm / ISO M1)

6.4. FEM classification

There are eight groups of mechanisms:

FEM	1 Dm	1 Cm	1 Bm	1 Am	2m	3m	4m	5m
ISO	M 1	M 2	M 3	M 4	M 5	M 6	M 7	M 8

To determine the group for a lifting machine, winch or hoist, three essential parameters must be considered:

The maximum load to be lifted

Including the weight of the rope and any lifting accessories present (hook etc.), except if they have a total weight less than or equal to 5% of the load to be lifted.

The usage rate

Indicates the extent to which the lifting machine is used at maximum load or with a reduced load. There are four different usage rates:

Light	Lifting machines rarely subject to maximum load and regularly used for very light loads.	$k \leq 0.5$
Medium	Lifting machines quite often subject to maximum load and regularly used for light loads.	$0.5 < k \leq 0.63$
Heavy	Lifting machines often subject to maximum load and regularly used for medium loads.	$0.63 < k \leq 0.8$
Very heavy	Lifting machines regularly subject to loads close to the maximum load.	$0.8 < k \leq 1$

For an exact classification, it is preferable to calculate the average cubic value using the following formula: $k = \sqrt[3]{(\beta_1 + \gamma)^3 \cdot t_1 + (\beta_2 + \gamma)^3 \cdot t_2 + \dots + \gamma^3 \cdot t_\Delta}$
where:

β = payload or partial load rated capacity	t = operating time with payload or partial load + dead weight total operating time
γ = dead weight maximum load	t_Δ = operating time with dead weight only total operating time

FEM classification

Usage rate	MR1 150 kg – MR2 300 kg – MR3 500 kg			
	Average operating time per day in hours.			
	7'30''	15'	30'	1 h
Light	1 Dm	1 Dm	1 Dm	1 Cm
Medium	1 Dm	1 Dm	1 Cm	1 Bm
Heavy	1 Dm	1 Cm	1 Bm	1 Am
Very heavy	1 Cm	1 Bm	1 Am	2m

7 – Handling - Storage

Given their weight MR winches require no special handling equipment.

When stored, these winches must be protected from bad weather in a clean and dry place at a temperature between -10°C and +50°C.

8 – Installation and set up

8.1. Installation

The service life of a winch depends on its installation and set-up.

It is essential that you read this manual carefully before installing, using and servicing your machine.

Any use which contravenes our instructions may create risks. In this case, the manufacturer cannot accept any liability.

- Do not use this machine before having read and understood the instruction manual in its entirety
- Always keep the manual close to the machine, available to the operator and the maintenance officer
- Comply and ensure compliance with the safety rules

Connect to the power supply (see 8.4 Power supply)

Check the rope and hook

While ready to press the emergency stop button at all times and with no load attached, check that the movement of the hook corresponds to the direction of the arrows indicated on the control unit.

Check that the brake works: with a nominal load attached, lift the load and lower it again or, in the case of pulling, pull this load.

Check that the limit switch works.

The winch has been subjected to the dynamic and static tests in the factory (cf. Test record).

8.2. Place of installation

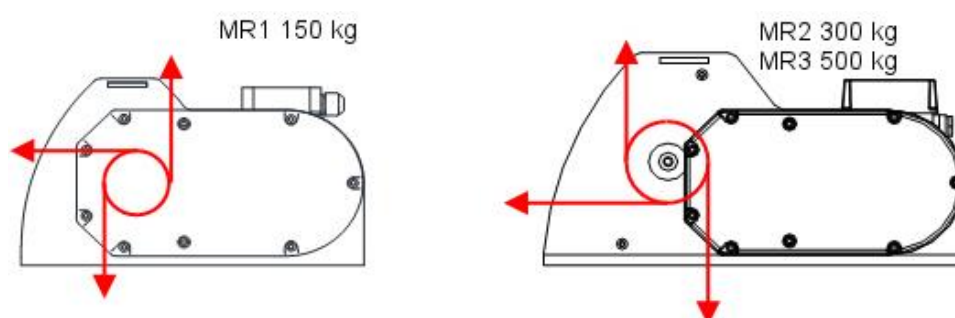
These winches must be installed and bolted to a flat, solid and secure surface capable of bearing the loads to which it will be subjected. An unsuitable installation site may lead to serious accidents.

To assess the suitability of the place of installation and its resistance to loads, you must take into account any possible overloading, the weight of the winch itself and the weight of the options and/or accessories fitted to it, including all dynamic forces. The winch user is responsible for determining the place of installation. If in doubt with regard to the suitability of a place of installation, contact a civil engineer or a statics specialist.

Tighten the clamping bolts correctly

Models	Bolt / nut	Grade 8.8 bolt / nut tightening torque Nm
MR1 150 kg	M8	27
MR2 300 kg/ MR3 500 kg	M12	90

8.3. Rope outlets



8.4. Power supply

Before undertaking any operation on the electrical assembly, check that the power supply to the machine is off.

A disconnecting switch must be placed no more than 10 metres from the place of use.

Very important: the winch will provide full power only if the motor is supplied by a cable with fully suitable cross-section.

Provide personal protection in front of the winch.

8.4.1 – Electrical connections

The power supply cable, the protective fuses and the main disconnecting switch (see wiring diagram) must be provided by the customer.

Check that the power supply network is right for the machine.

Check the type of current; there must not be more than about 5% deviation from the rated voltage.

Neutralise power sources.

Check that the main power supply switch on the winch is in the off position.

Do not connect the power supply cable to the machine using connection terminals (split fittings etc.).
Do not use a cable with a smaller cross-section to supply power to the machine.
Never "shunt" the disconnecting switches, electrical switches, prevention or limitation equipment.
Never block, adjust or remove switches or end stops in order to go beyond the levels that they allow.
A disconnecting switch must be placed no more than 10 metres from the place of use. Recommended rope section:

VOLTAGE	TYPE	Length of supply cable	
		10 m max.	30 m max.
230 V single phase	2 + T	1.5 mm ²	2.5 mm ²

8.4.2 – Connection

Connect the power supply using the single-phase or three-phase male connector supplied and using about 0.5 m of power supply cable.
Check that the winch works (direction of rotation)

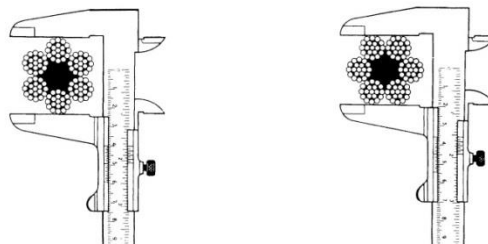
8.5. Work rope

Reminder: Check the maximum capacity of the winch

Very important:

The safety regulations require that 2 to 3 loops of rope always be left on the drum.
To comply with the legislation, the rope diameter must not exceed the recommended diameter.
If the rope and the hook used were not supplied with the machine by the manufacturer, check that they guarantee a level of safety corresponding to table § 6.4.
The service life of the steel ropes used on the winch depends on a number of factors, including the form of the work cycles (lifting height, lifting speed, number and type of deviations, etc.) and the operating mode (number of coil layers, distribution of the work cycles over the length of the steel rope, etc.). The service life of steel ropes is therefore subject to considerable variation depending on these factors.
Please remember that rope replacement must be done using equipment with the same specifications as the original rope.
This replacement must be recorded in the maintenance booklet.
IMPORTANT: Even if the rope was supplied with the winch, it was not tautened during assembly. The user must tighten it using a minimum force of between 1% and 2% of the rope's breaking load.

Measuring the rope diameter using sleeve callipers:



Correct measurement Incorrect measurement

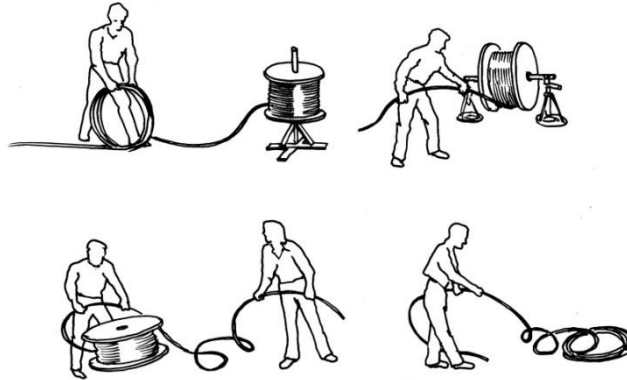
Handling steel ropes

- Always use suitable protective gloves when handling steel ropes
- Never use a rope with faults such as:
 - ✓ An unacceptable number of broken strands
 - ✓ Basket distortions
 - ✓ Broken bird-caging
 - ✓ Flattening
 - ✓ Constrictions
 - ✓ Strand extrusions
 - ✓ Broken rope cores
 - ✓ Slack strands
 - ✓ Bends or loops
- Always check the level of wear of the rope before use
- Never use steel ropes as loops
- Never expose steel ropes to angular or sharp edges



Unwinding the rope from its reel:

CORRECT:



INCORRECT

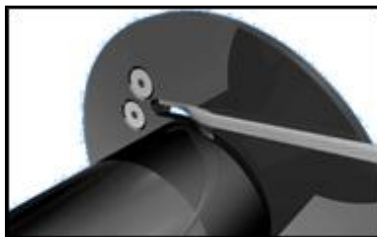
Fastening the rope

Refer to the photos below.

MR1 150 kg

- Untighten the 2 screws
- Insert the end of the rope through the drum flange and under the cable clamp.
- Tighten the 2 screws

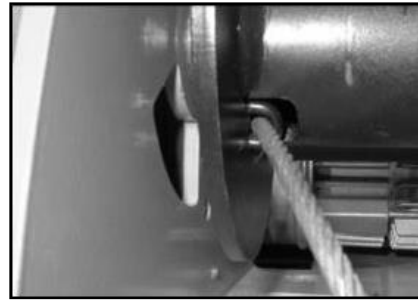
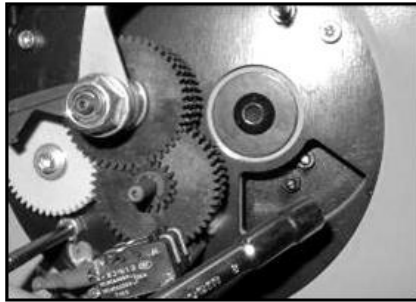
The rope should never form a loop.



MR2 300 kg/MR3 500 kg

- If necessary, open the limit switch cover
- Untighten the nuts
- Insert the end of the rope through the rope clamp and into the drum
- Tighten the screws
- Check that the rope is securely clamped
- Reassemble the limit switch cover

The rope should never form a loop.



Winding the rope on the drum

To do this, tauten the rope and wind it with joined strands onto the drum.

Reminder: the maximum capacity of these winches is 15 m of rope with a diameter of 4 mm, 16 m of rope with a 5 mm diameter or 13.5 m of rope with a 6 mm diameter depending on the models.

Very important: The safety regulations require that 3 loops of rope always be left on the drum. If the rope and the hook used were not supplied by the manufacturer with the machine, check that they guarantee a level of safety corresponding to coefficient 5.

The first layer must be wound in a compact manner and under tension. Take a mallet or a block of wood and knock the turns against one another; not too hard to prevent the strands from overlapping one another, but tightly enough to prevent the rope from moving on the drum. If the first layer is wound too loose, the next layer will form a space in the first layer that will result in an open area. If the first layer is too tight, the subsequent layers will not have enough space between turns.

In any case, the first layer and all the other layers must be wound onto the drum with enough pre-tension (5-10 % of the MWL of the rope). If the rope is wound without any tension, it will suffer from crushing and premature flattening caused by the loaded upper layers.

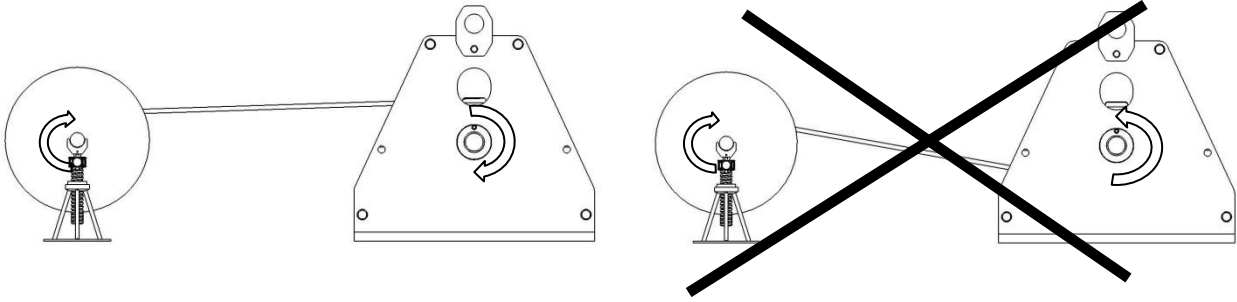
Even if the first layer is wound correctly during installation, it will expand a little while in service. When the first layer expands (loss of pre-tension) the initial procedure **MUST** be performed at regular intervals.

Otherwise, the "hard" turns will severely crush the base layers.

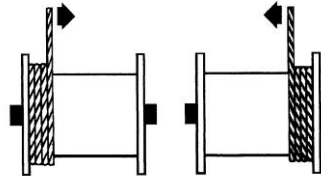
Whatever you do, **DO NOT** pass the rope through a clamping mechanism. For example, two blocks of wood screwed together. **THIS WILL CAUSE IRREPARABLE DAMAGE TO THE ROPE!**

It is important to respect the indication below; if the rope start on the winch is at the bottom, respect the same principle. Not respecting this precaution will damage your rope irretrievably and it will become extremely dangerous.

Check the direction of cable winding according to the motor connection.

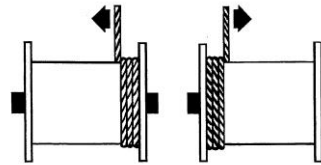


Right-hand rope
 Wind from the left towards
 the right



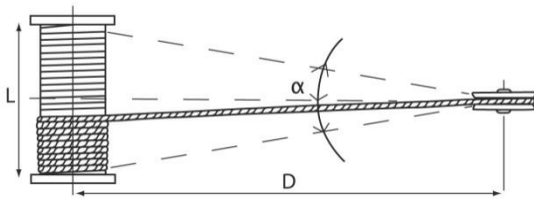
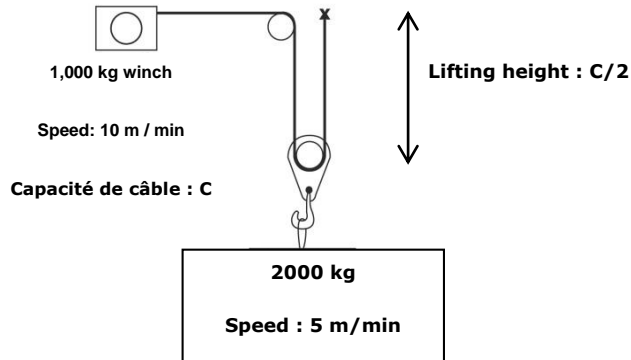
Left-hand rope
 Wind from the right
 towards the left

Right-hand rope
 Wind from the right
 towards the left



Left-hand rope
 Wind from the left
 towards the right

Principle of reeving:



Smooth drum: $\alpha = \text{max. } 1.5^\circ$
 Grooved drum: $\alpha = \text{max. } 2^\circ$
 $D = 20 \text{ times } L$

9 – Servicing and maintenance

9.1. Before switching on

Check:

- The electrical connections are in good working order.
- The rope is correctly fastened to the drum.
- The exterior appearance of the winch.

9.2. Periodic servicing

Lubrication

See also chapter 5: Obligatory regulatory checks by the user

Every 6 months, check the lubrication: all teeth must be lubricated.

Every year, relubricate.

The reducer is lubricated using RENOLIT CXI 2 (FUCHS) grease.

Very important:

In the event of a change in the type of grease, contact our after-sales service.

When the winch has done 50 hours, it should preferably be serviced by the seller.

When the winch has done 100 hours, it **must be** serviced by the seller.

Winches

Respect the following instructions, in particular if your winch is used in a large number of different locations or in a particularly dirty and damp environment:

Remove most of the dirt from the winch.

Always store the winch in a dry place

Ropes

The ropes must be cleaned and greased regularly using a special grease which penetrates to the rope core.

Only use appropriate and harmless cleaning products for all the components of the rope, including the core.

If lubrication is impossible for reasons linked to use, the service life of the rope will be reduced considerably and increased monitoring of the rope will therefore be necessary.

The ropes must be checked visually every day.

Hooks

Check the hook and its safety latch

If the rope and hook are not supplied by the manufacturer, check that the parts used guarantee a level of safety corresponding to table §4.4.

Check the fastening points of the reeving on a regular basis.

Servicing and maintenance operations on the winch and rope must be carried out without any load on the winch.

Brake

The brake is located at the end of the motor.

. Operating principle:

When the motor is started, the internal magnetic field opens the brake by lifting the conical plate from the friction surface at the bottom of the motor.

When the motor is stopped, the magnetic field disappears. The central spring closes the brake again by bringing the conical panel back into contact with the motor's rear flange.

. Adjusting the braking torque (only for MR2 300 kg and MR3 500 kg)

The braking torque is not adjustable on the MR1 150 kg.

Remove the cap ⑤ on the fan cover.
Gradually turn the self-locking nut ⑥:
. clockwise to reduce the braking torque
. anti-clockwise to increase the torque

. Adjusting the air gap (only for MR2 300 kg and MR3 500 kg)

The air gap ⑦ is not adjustable on the MR1 150 kg.

The air gap ⑦ must be adjusted in the event of excessive wear of the friction lining (min. 0.6 mm/max. 0.8 mm).

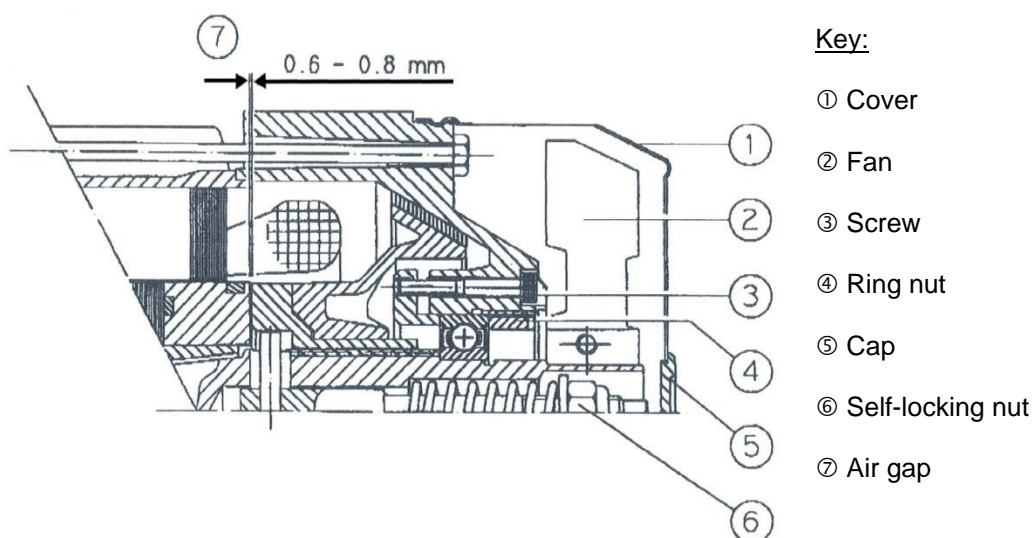
Remove the cover ① and the fan ②.

Loosen the three screws ③.

Turn the ring nut ④ anti-clockwise ($30^\circ \approx 0.12 \text{ mm}$) to reduce the air gap ⑦.

Tighten the three screws ③.

Reposition the fan and its cover.



10 – Taking of use

If the equipment is in a state of disrepair likely to give rise to risks, the user is obliged to ensure that this equipment is eliminated, i.e.: prevented from operating and possibly disassembly.

11 – Spare parts

If, during maintenance operations, you notice that certain parts of your winch need to be replaced, use manufacturer original parts only.

For all spare parts orders, please indicate the following specifications on your order

- The type and capacity of the winch (indicated on the nameplate).
- The serial number and year of manufacture (indicated on the nameplate).
- The number or designation of the desired parts (exploded view).

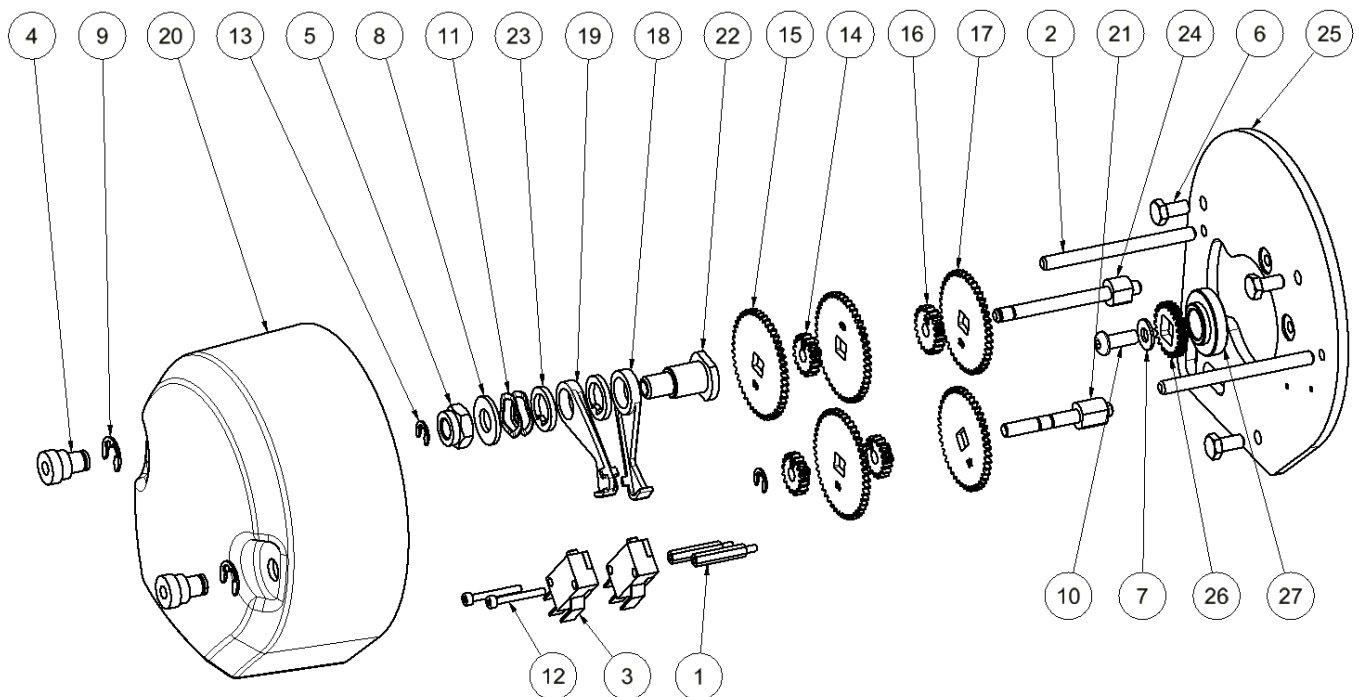
12 - Frequently asked questions

Question	Cause	Solution
Motor does not start.	Power supply cut.	Check and correct the problem. Check the emergency stop.
	Brake not released	See "brake fault"
	Limit switch engaged.	Check the limit switch.
Motor does not start or starts with difficulty.	The voltage or frequency varies considerably compared to the setting when starting.	Improve the mains conditions. Check the cable sections.
Motor revs and absorbs a great deal of power.	Brake not released.	See "brake fault".
	Faulty winding.	Take the motor to an approved workshop for repair.
Circuit breaker activated immediately.	Short circuit in the power supply cables.	Eliminate the short circuit.
	Short circuit in the motor.	Have the fault corrected in an approved workshop.
	Power supply cables incorrectly connected.	Correct the connection.
	Motor earth fault.	Have the fault corrected in an approved workshop.
Speed greatly reduced when loaded.	Voltage drop.	Increase the power supply cable section.
Motor too hot (temperature measurement)	Insufficient ventilation.	Clear the ventilation lanes.
	Ambient temperature too high.	Respect the authorised temperature range.
	Circuit breaker activated.	Bad contact in the relays.
	Service factor exceeded (S1 to S10, DIN 57530), e.g. because start speed is too high.	Adapt the service factor to the prescribed conditions; if necessary, call a specialist to determine the type of motor.
Drive system too noisy.	Rotating parts vibrate.	Check the balances, eliminate the cause of the vibrations.
	Foreign bodies in the ventilation lanes.	Clean the ventilation lanes.
Brake not released.	Max. air gap exceeded due to worn lagging.	Adjust the air gap (MR2 300 kg/MR3 500 kg)(see 9.2).
		Change the motor (MR1 150 kg)
Motor does not brake.	Incorrect air gap.	Adjust the air gap (MR2 300 kg/MR3 500 kg)(see 9.2).
	Brake lagging totally worn.	Change the motor.

14 – Appendix - Spare parts

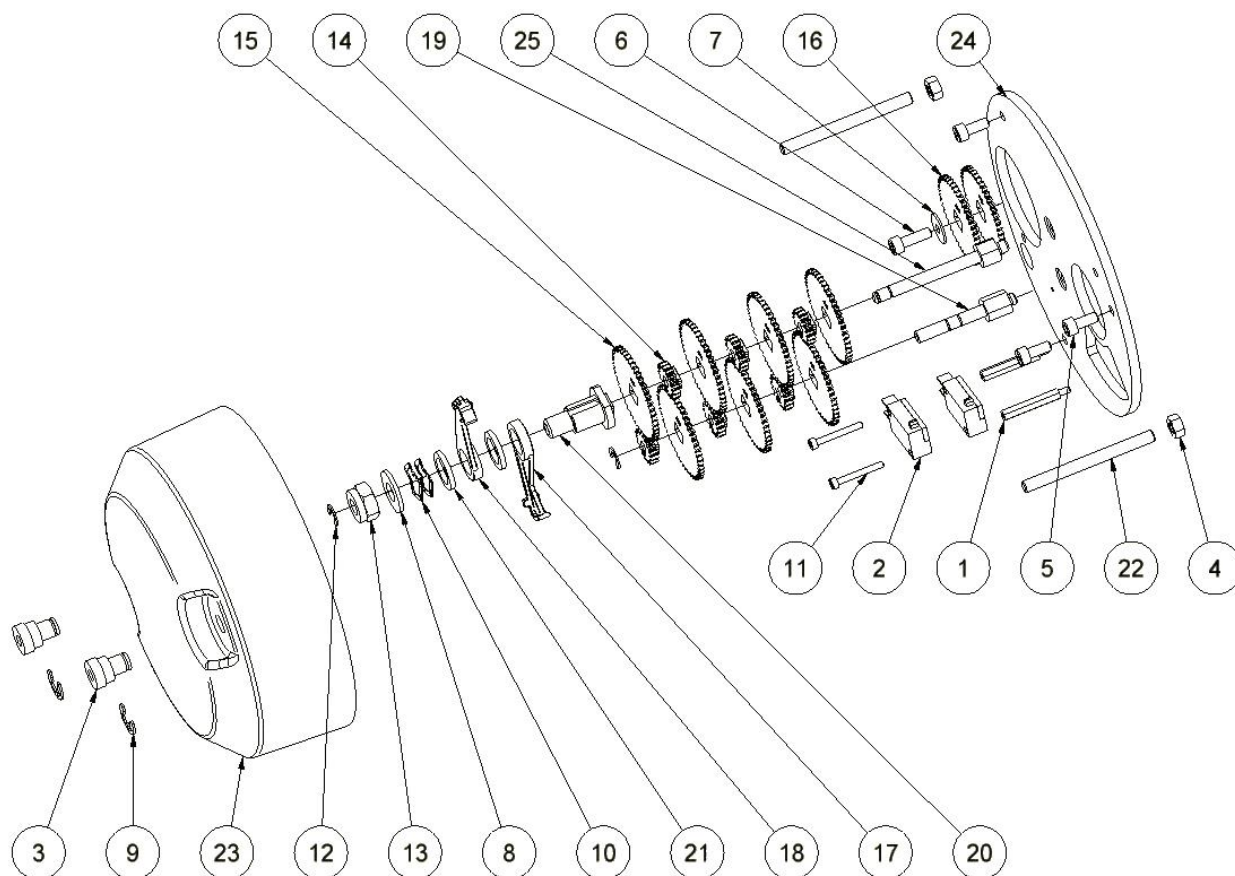
LIMIT SWITCH (SE n°24 on MR1 150 kg)

Article	Qty	Part num	Description	Article	Qty	Part num	Description
1	2	2996	M3 x 25 MF spacer stud	15	3	23212	48-tooth sprocket wheel
2	2	3384	Tie	16	1	23213	20-tooth sprocket wheel
3	2	3683	contactor	17	2	23214	45-tooth sprocket wheel
4	2	4909	Captive nut	18	1	23215R	Red limit switch finger
5	1	13020	Locknut M10	19	1	23215V	Green limit switch finger
6	3	13057	TH M6x12 screw	20	1	23237	limit switch cover
7	1	13209	Washer MU 6	21	1	23291	Limit switch offset shaft
8	1	13306	Washer MU 10	22	1	23292	Limit switch finger support
9	2	13365	TRUARC 8-9 ring	23	2	23293	Stop washer
10	1	13640	TBHC M6x16 screw	24	1	24265	Limit switch shaft
11	2	13693	Ø15x20x2 curved washer	25	1	24297	Limit switch mounting plat
12	2	13694	CHC M3x25 screw	26	1	24298	Limit switch offset 23-tooth sprocket wheel
13	2	13695	TRUARC 5-6 ring	27	1	24299	Limit switch Wheel spacer
14	3	23211	17-tooth sprocket wheel				



LIMIT SWITCH (SE n°39 on MR2 300 kg/MR3 500 kg)

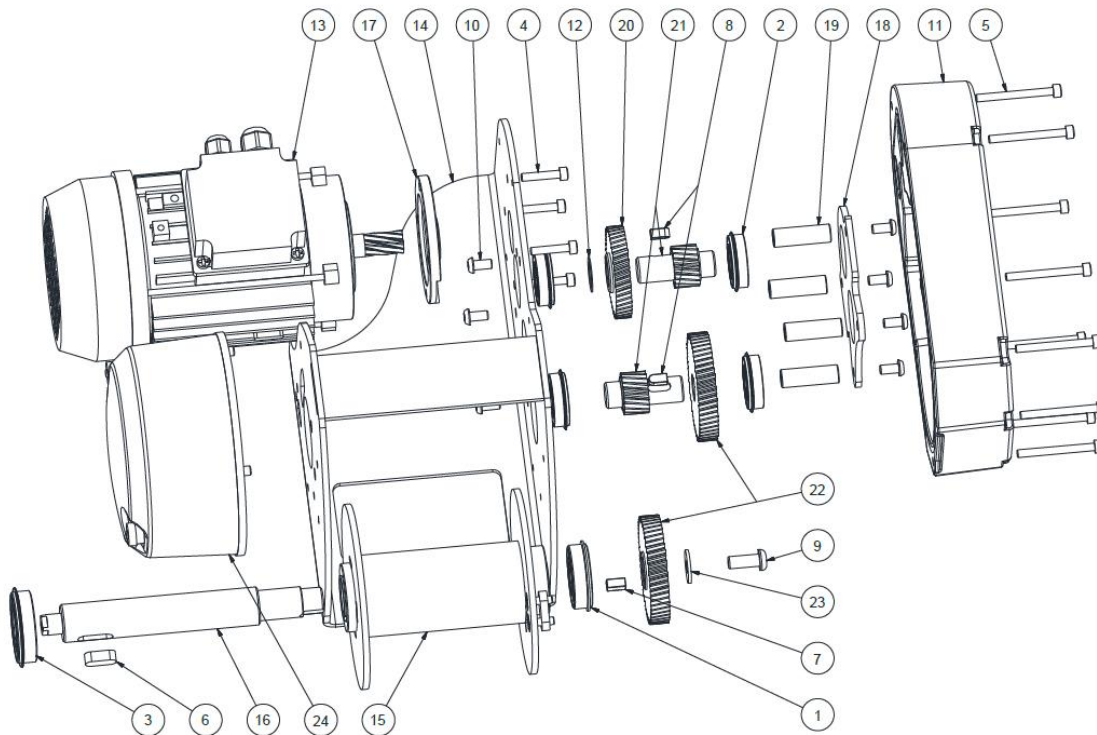
Article	Qty	Part number	Description	Article	Qty	Part number	Description
1	2	2965	M3 x 30 MF spacer stud	14	6	23211	M1 17-tooth sprocket wheel
2	2	3683	Contacteur	15	7	23212	M1 48-tooth sprocket wheel
3	2	4909	Captive nut	16	2	23214	M1 45-tooth sprocket wheel
4	2	13010	NF E 24032 M6 nut	17	1	23215R	Red limit switch finger
5	3	13122	M5x12 CHC screw	18	1	23215V	Green limit switch finger
6	1	13123	M5x16 CHC screw	19	1	23291	Limit switch offset shaft
7	1	13207	LU 5 washer	20	1	23292	Limit switch finger support
8	1	13306	Washer M Ø10	21	2	23293	Stop washer
9	2	13365	7144.9E TRUARC ring	22	2	23435	Tie
10	2	13693	15x20x2 curved washer	23	1	23449	TRB 2 limit switch cover
11	2	13694	M3x25 CHC screw	24	1	24252	Limit switch mounting plate
12	2	13695	TRUARC 5-6 ring	25	1	24265	Limit switch shaft
13	1	13816	M10 locked bottom nut				



MR1 150 kg

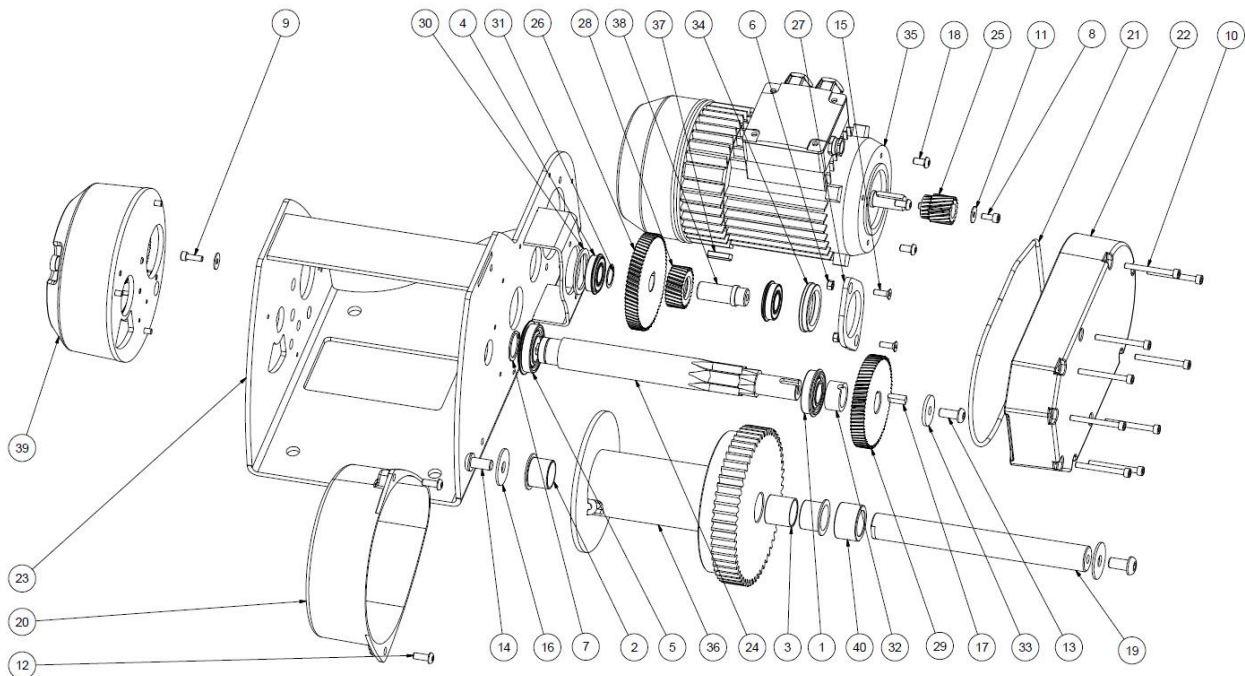
Article	Qté	N° de pièce	Description
1	1	2510	6004 2RS NR bearing
2	4	2964	6003 2RS RN bearing
3	1	3970	6005 2RS RN bearing
4	4	13125	CHC M5x25 screw
5	9	13129	CHC M5x50 screw
6	1	13228	8 x 7 x 20 FA key
7	1	13232	6 x 6 x 12 FB key
8	2	13233	6 x 6 x 12 FC key
9	1	13643	TBHC M8x20 screw
10	8	13686	TBHC M6x12 screw
11	1	24250	Reduction gear cover
12	1	24260	Set ring

Article	Qté	N° de pièce	Description
13	1	24280	0.25 kW single-phase motor brake
14	1	24281	MR1 150 kg frame
15	1	24282	MR1 150 kg drum
16	1	24289	Drum shaft
17	1	24290	Motor flange
18	1	24291	Reduction gear reinforcing metal plate
19	4	24292	Frame spacer
20	1	24293	46-tooth wheel
21	2	24294	19-tooth sprocket wheel
22	2	24295	55-tooth wheel
23	1	24296	Compression washer
24	1		SE limit switch



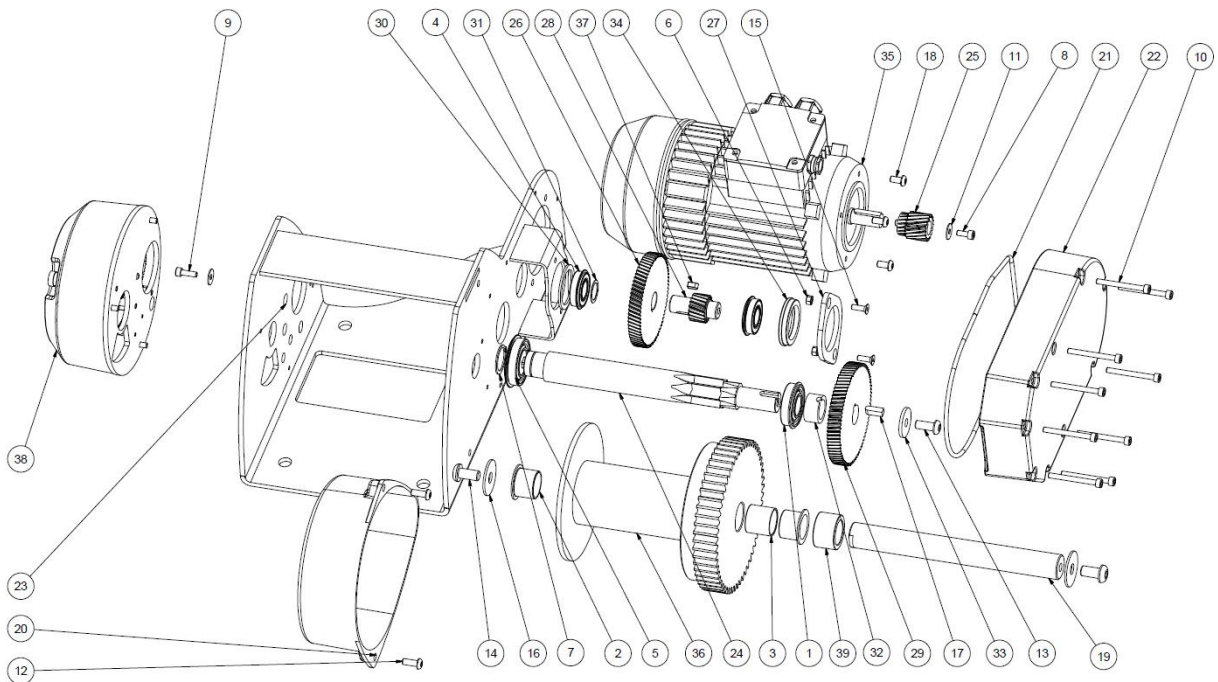
MR2 300 kg

Art.	Qty	Part number	Description	Art.	Qty	Part number	Description
1	1	2510	6004 2RS NR bearing	21	1	23777	Joint foam
2	2	2776	QFM 2528-21 ring	22	1	24250	Reduction gear cover
3	1	2889	QSM 2528-25 ring	23	1	24251	MR frame
4	2	2964	6003 2RS RN bearing	24	1	24253	8-tooth pinion shaft
5	1	3970	6005 2RS RN bearing	25	1	24254	M1.25 18-tooth sprocket wheel
6	2	13009	M5 nut	26	1	24255	M1.25 71-tooth wheel
7	1	13047	25x1.2 ext. retaining ring	27	1	24256	Reinforcing metal closure plate
8	4	13122	M5x12 CHC screw	28	1	24267	M1.25 29-tooth sprocket wheel
9	1	13123	M5x16 CHC screw	29	1	24268	M1.25 69-tooth wheel
10	9	13129	M5x50 CHC screw	30	1	24259	Bearing spacer
11	2	13207	LU 5 washer	31	1	24260	Set ring
12	2	13640	M6x16 hex socket button head screw	32	1	24261	Wheel spacer
13	1	13643	TBHC M8x20 ZN screw	33	1	24262	Compression washer
14	2	13645	TBHC M10x20 ZN screw	34	1	24263	Support bearing
15	2	13647	M5x16 countersunk Allen screw	35	1	24264	0.37 kW single-phase motor brake
16	2	13658	Ø10 LL washer	36	1	24266	MR SE drum
17	1	13684	FC 6x6x18 key	37	1	13226	FC 5x5x24 key
18	4	13686	M6x12 hex socket button head screw	38	1	24269	Intermediate shaft
19	1	22925	Drum shaft	39	1		SE limit switch
20	1	22931	Cover	40	1	56278	Bearing



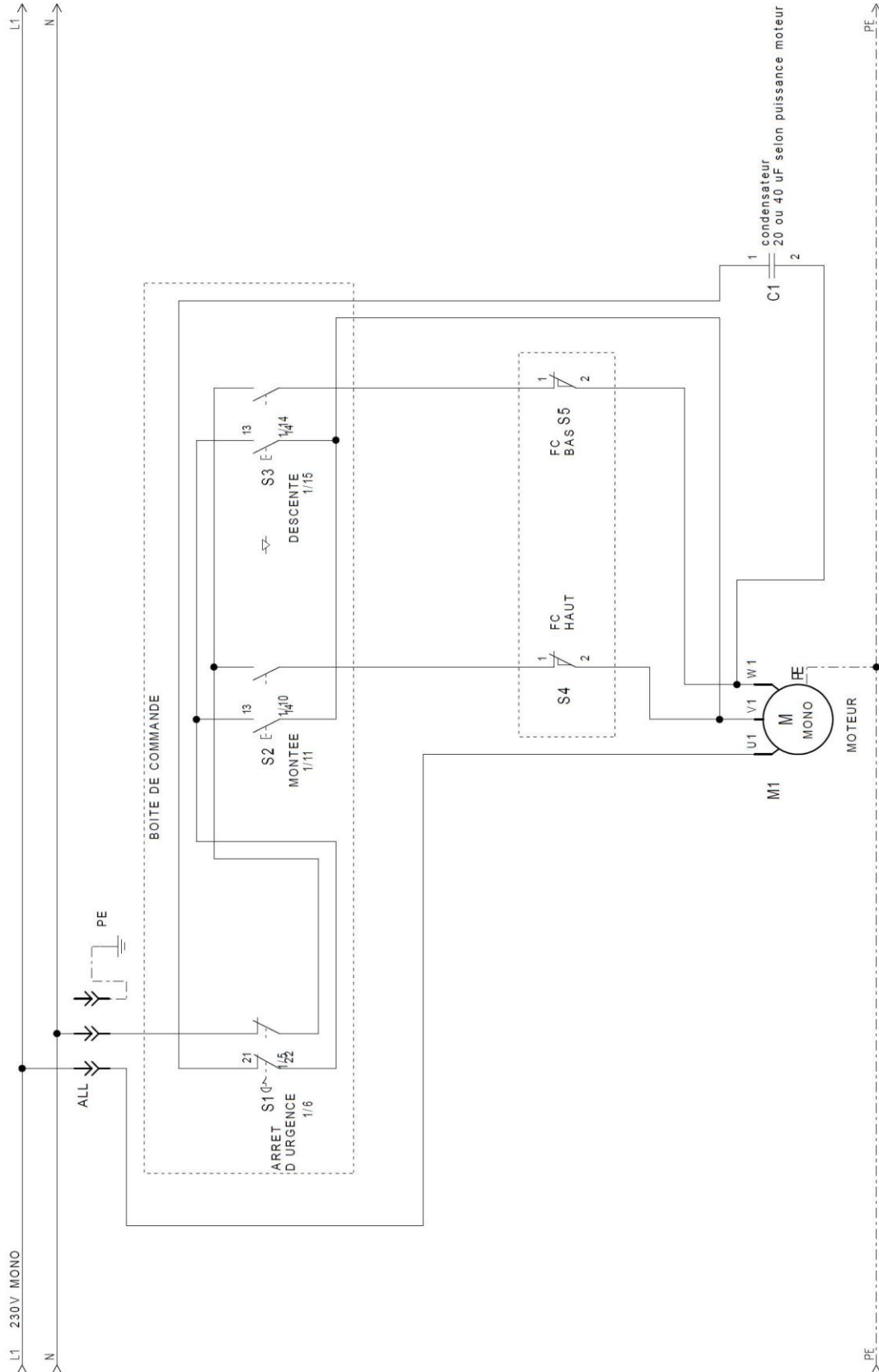
MR3 500 kg

Art.	Qty	Part number	Description	Art.	Qty	Part number	Description
1	1	2510	6004 2RS bearing	20	1	22931	Cover
2	2	2776	QFM 2528-21 ring	21	1	23777	Joint foam
3	1	2889	QSM 2528-25 ring	22	1	24250	Reduction gear cover
4	2	2964	6003 2RS RN bearing	23	1	24251	MR frame
5	1	3970	6005 2RS RN bearing	24	1	24253	8-tooth pinion shaft
6	2	13009	M5 nut	25	1	24254	M1.25 18-tooth sprocket wheel
7	1	13047	25x1.2 ext. retaining ring	26	1	24255	M1.25 71-tooth wheel
8	4	13122	M5x12 CHC screw	27	1	24256	Reinforcing metal closure plate
9	1	13123	M5x16 CHC screw	28	1	24257	M1.25 19-tooth sprocket wheel
10	9	13129	M5x50 CHC screw	29	1	24258	M1.25 79-tooth wheel
11	2	13207	LU 5 washer	30	1	24259	Bearing spacer
12	2	13640	M6x16 hex socket button head screw	31	1	24260	Set ring
13	1	13643	TBHC M8x20 ZN screw	32	1	24261	Wheel spacer
14	2	13645	TBHC M10x20 ZN screw	33	1	24262	Compression washer
15	2	13647	M5x16 countersunk Allen screw	34	1	24263	Support bearing
16	2	13658	Ø10 LL washer	35	1	24264	0.37 kW single-phase motor
17	1	13684	FC 6x6x18 key	36	1	24266	brake
18	4	13686	M6x12 hex socket button head screw	37	1	13119	MR SE drum
19	1	22925	Drum shaft	38	1		FC 5x5x10 key
				39	1	56278	SE limit switch
							Bearing

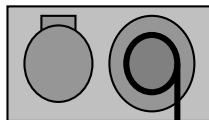


14 – Appendix – Electric diagram

MR1 150 kg, MR2 300 kg and MR3 500 kg - Direct control with limit switches

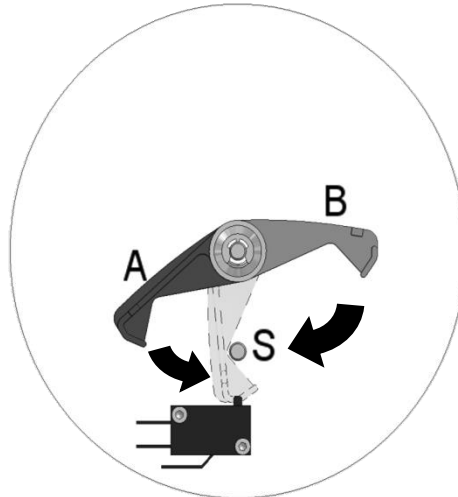


14 – Appendix – Limit switch adjustement



☒ *Up*

☒ *Down*



- 1) Lift the load to the top point and identify the lever (A or B) that is nearest the stop (S).
- 2) Push this lever (A or B) onto the stop (S)
- 3) Lower the load to the bottom point.
- 4) Push the second lever onto the stop (S)

- 1) Lift the load up to the highest required limit and find the lever moving towards the finger stop.
- 2) Place this lever (A or B) on the finger stop to fix the top limit switch.
- 3) Lower the load down to its lower level.
- 4) Place the second lever A or B on the finger stop to fix the bottom limit switch