



# WINCHES



Range of manual and  
electric winches for loads  
from 150 to 10,000 kg

 **VERLINDE**<sup>®</sup>  
LIFTING EQUIPMENT

# MT



Manual winch  
for loads from  
150 and 300 kg

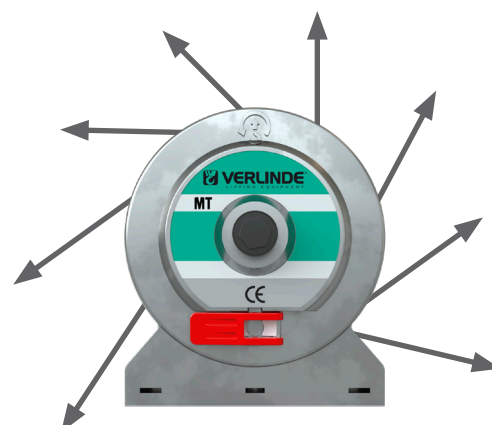
The MT hand operated winches with planetary gearbox and drum release is an extension of ME/MV range. This winch may be used in flat position for indoor or outdoor various purpose like on trailers, for lifting doors, opening of traps, masts.



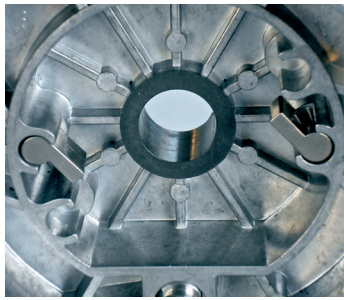
### ► Technical characteristics

- > A new generation, compact winch taking advantage of the qualities of composite materials and aluminium, especially their anti-corrosion properties.
- > Easy to wind. Planetary reducer in a sealed casing.
- > Automatic brake.
- > With stainless steel spring and pawls.
- > Clutchable, vacuum drum, associated with a failsafe system in the rope wind direction (patented).
- > Removable crank. Ergonomically and comfortably shaped crank grip.
- > Large rope release range (more than 250°).

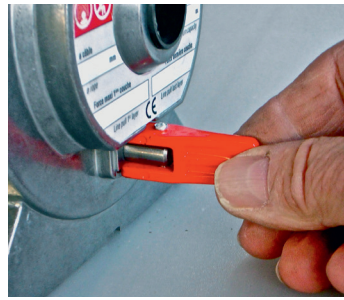
### ► Rope exits







➤ Maximal safety : 2 ratchets.



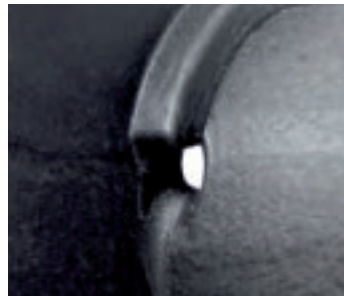
➤ Disengageable drum, no load only.



➤ High level of safety on rope fixing.

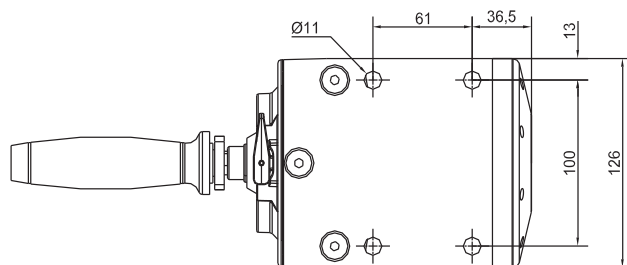


➤ Bi material, ergonomically and comfortably shaped crank grip "soft touch" type.

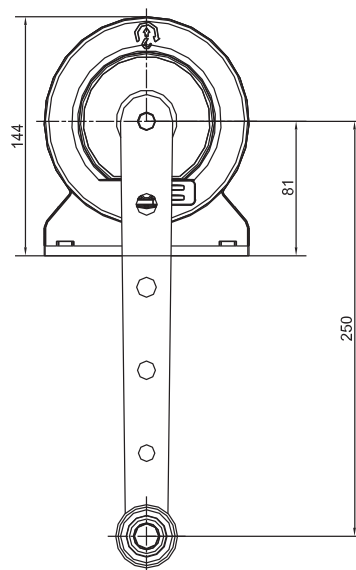
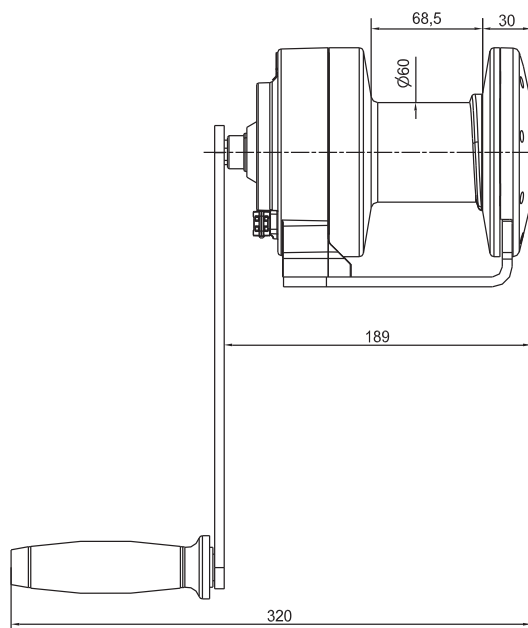


➤ Excelent Guidage of rope winding.

Load capacity (kg)	Winding (m)	Winch type MT	Stainless steel and steel rope (mm)
150	24	*Fixation plate, spring and ratchet in stainless steel.	4
150 inox*	24		4
300	8,5		5
300 inox*	8,5		5



Dimensions in mm.



# ME & MV

Endless screw winch and geared winch for loads from 250 to 3,000 kg



Winch type MV.



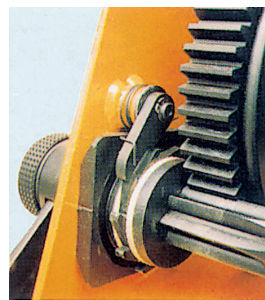
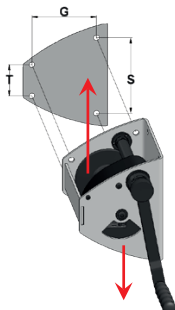
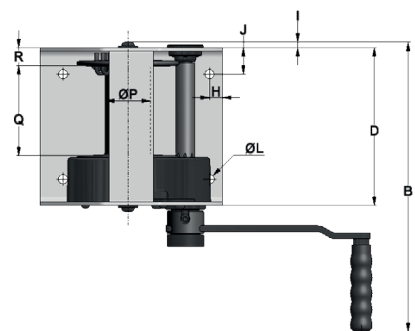
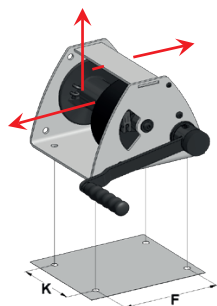
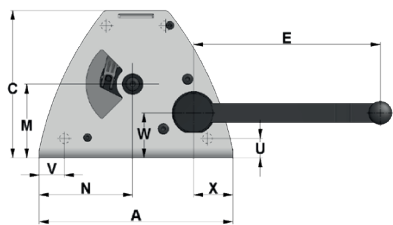
Winch type ME.

## Technical characteristics

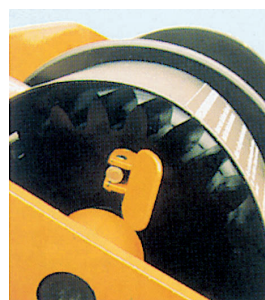
- > Encased mechanical parts.
- > Automatic brake.
- > Adjustable and dismantable crank.
- > 2 securing planes horizontal or vertical (according to model).
- > Highly rugged design, thanks to the exceptional rigidity of the frame.
- > Mechanical parts protected by cataphoresis.
- > Can be unclutched when off-load, whilst impossible to unclutch under load (except MV250).

Model	ME2	ME3	ME4	ME5	MV1	MV2	MV3	MV4	MV5	MV6
First layer lifting capacity (kg)	300	500	1,000	2,000	250	500	1,000	1,500	2,000	3,000
Total length of winding (m)	38	18	30	25	15	18	30	23	17	18,5
Maximum number of layers	6	4	4	3	4	4	4	3	2	2
Effort required on handle (daN)	12,5	19	14,5	16,5	11	14	14	14	14,5	15
Weight without cable (kg)	15	15	44	83	7,5	12	37,5	52	80	140
Max. and min. use temperature	-20°C to +40°C									



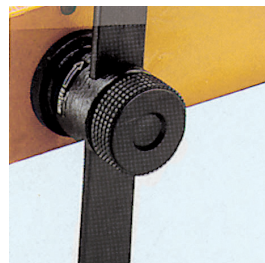
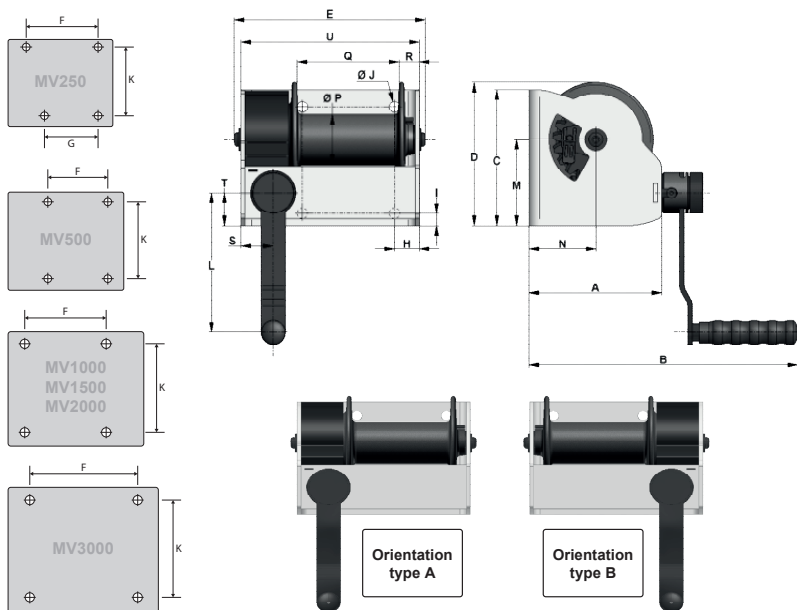


**> ME type mechanism.**  
Gears have passed every type of breakage and endurance test. Sprockets are machined to hold grease. Ratchet brake with stainless steel spring has been proven the best system for this type of equipment.

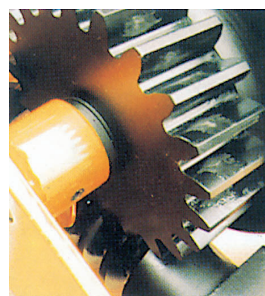


**> Releasable drum.**  
Except on 250 kg model, MV winches feature a drum that can be disengaged with a small, easily accessible lever. A safety mechanism prevents any declutching when the winch is loaded.

Type ME (mm)																							
Capacity	A	B	C	D	E	F	G	H	I	J	K	ØL	M	N	ØP	Q	R	S	T	U	V	W	X
300 kg	249	400	190	217	240	200	145	18	8	37	144	8Ø13	95	120	62	124	25	184	76	25	33	58	51
500 kg	249	400	190	217	240	200	145	18	8	37	144	8Ø13	95	120	62	124	25	184	76	25	33	58	51
1000 kg	410	485	305	300	340	370	-	20	10	32	236	4Ø17	145	200	103	180	35	-	-	-	-	104	68
2000 kg	510	585	360	400	340	440	-	35	11	38	325	4Ø21	151	187	118	248	47	-	-	-	-	267	191



**> Adjustment knob.**  
Conveniently captive knob adjusts crank tightness. Cannot get lost.



**> MV type mechanism.**  
Wheel and worm gear have passed every type of breakage and endurance test for maximum reliability. Sprockets are machined to hold grease. Ratchet brake with stainless steel spring has been proven the best system for this type of equipment.

Type MV (mm)																					
Capacity	Orientation type	A	B	C	D	E	F	G	H	I	ØJ	K	L	M	N	ØP	Q	R	S	T	U
250 kg	A	140	307	135	142	206	130	95	25	14	4Ø11	100	240	84	73	50	100	21	40	35	190
500 kg	A	162	325	166	175	233	112	-	30	15	4Ø13	130	240	105	82	62	124	25	40	40	217
1000 kg	B	302	470	290	302	322	167	-	45	20	4Ø17	250	340	180	130	103	180	35	56	50	300
1500 kg	B	350	518	330	330	370	200	-	50	25	4Ø21	250	340	194	162	105	220	39,5	58 123	50	350
2000 kg	B	350	518	330	330	370	200	-	50	25	4Ø21	250	340	194	162	105	220	39,5	58 123	50	350
2000 kg	B	356	520	390	390	420	260	-	39	25	4Ø21	295	340	224	171	121	262	45,5	60 125	50	400
3000 kg	A	480	640	450	450	530	390	-	55	40	4Ø25	380	340	307	153	145	289	54,5	62 126	55	500



# MR



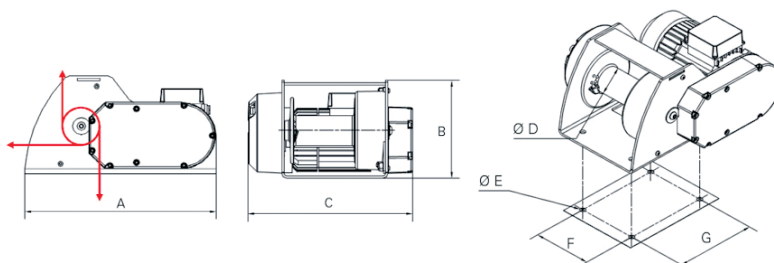
**Single phase electric winch for loads from 150 to 500 kg**

Single-phase electric winch designed for lifting and traction simple, ideal to replace a manual winch, used in cases of occasional maintenance.

## Technical characteristics

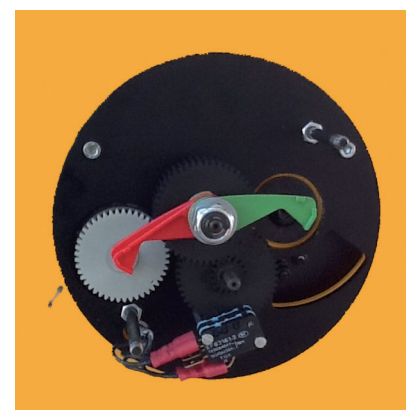
- > Power supply 230 / 1 Ph / 50Hz.
- > Electric cubicle.
- > Limit switches as standard (2 steps).
- > IP 44 MR1 - IP 54 MR2 & 3.
- > Push button box with up/down button and emergency stop.
- > 3 meter control cable.

Type	Capacity at last layer (kg)	Capacity at first layer (kg)	Number of layers	Speed at first layer (m/min)	Speed at upper layer (m/min)	Motor power (kW)	Motor type	Max cable length (m)	Weight (kg)	Rope diameter (mm)
MR1	150	150	3	5,5	7	0,25	1 Ph - 230V	15	14	4
MR2	300	300	3	4,6	5,9	0,37	1 Ph - 230V	16	27	5
MR3	500	500	3	2,6	3,6	0,37	1 Ph - 230V	13,5	27	6



Type	A	B	C	Ø D	Ø E	F	G
MR1	310	179	281	54	9	114	154
MR2	390	205	341	63,5	13	144	200
MR3	390	205	341	63,5	13	144	200

Dimensions en mm



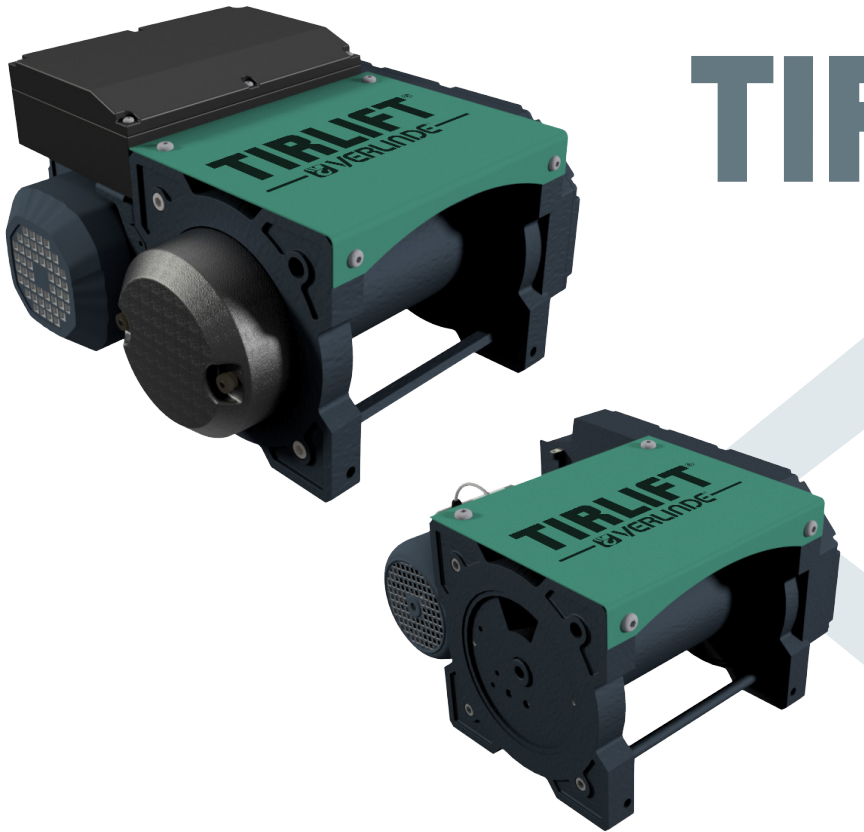
> Limit switch very easy to adjust and extremely reliable.







# TIRLIFT 2



Electric **single and 3 phases** winches for loads from **125 to 1,500 kg**

This line of all-purpose electric winches for lifting and traction adapt perfectly to all your needs (wide load range, speed, numerous options). They are designed for the lifting of loads of 125 kg to 1,500 kg. Compliance with the EC directive concerning machines.

## ► Technical characteristics

These winches comply with directive CE 2006/42/CE are designed for pulling and lifting of loads between 125 kg and 1,500 kg (Class FEM 1Am, 2m).

TIRLIFT type TL and TC electric winches offer the following standard features :

- > Protection of electrical components (control panel and motor), type IP55.
- > Totally enclosed, life lubricated, helicoidal gear treated (type according load range).
- > One or two lifting speed or variable speed.
- > A start/stop contactor (for type B and C equipment).
- > A 48 V Low Voltage transformer (for type B and C equipment).
- > A wide line of hoisting motor with insulation class F, IP 55 protection.
- > Spring loaded disc brake.
- > A modular and evolutional under-frame allowing many directions for wire rope outlets from the drum.

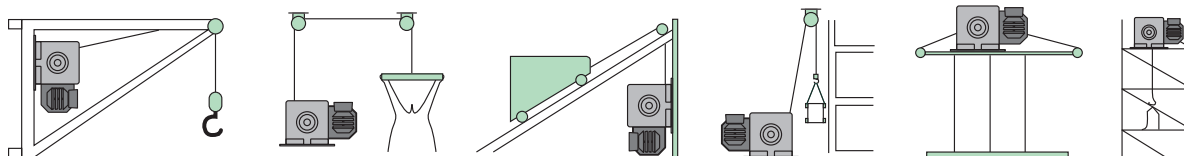
## ► Options available

- > Tropicalized motor.
- > Thermal protection.
- > Others voltage (delay from 3 to 6 weeks).
- > Additional length of cable for the buttons box or the remote cubicle per meter.
- > Lifting limit switch.
- > 4 step gear limit switch (IP66).
- > Drum rope pressure roller.
- > Manual brake release.
- > Left or right grooved drum (1 anchor).
- > Left or right grooved drum (2 anchors).
- > Left and right grooved drum (2 anchors).
- > Left or right grooved drum (1 anchor) for tube higher diameter.
- > Left or right grooved drum (2 anchors) for tube higher diameter.
- > Left and right grooved drum (2 anchors) for tube higher diameter.
- > Add anchor rope.
- > Center separation plate.
- > Motor cover (available only with A and C type).
- > Load limiter (1 speed).
- > Radio control = emitter + receiver (Hauling).
- > Add emitter (Hauling).
- > Radio control = emitter + receiver (Lifting).
- > Add emitter (Lifting).
- > Tubular protection Frame.
- > Counter weight 10 kg for cable Ø 4/5/6.
- > Counter weight 20 kg for cable Ø 7/8.
- > Counter weight 25 kg for cable Ø 9/10.
- > Counter weight 50 kg for cable Ø 11,5/13.

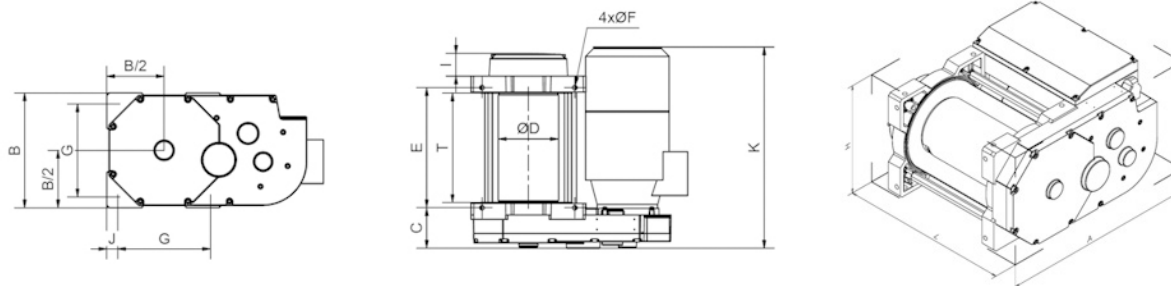




Examples of use



Range



SWL (kg)	Type	Group	Motor type	Rope capacity	Motor power (kW)	Speed (m/min)	Speed type	Rope diameter
125	TC121M	2m	3 phases	56	0,75	21	1 speed	5
	TL121M	2m	3 phases	81	0,75	21	1 speed	5
	TC121MM	2m	1 phase	56	0,75	21	1 speed	5
	TL121MM	2m	1 phase	81	0,75	21	1 speed	5
250	TC221M	1Am	3 phases	56	1,1	21	1 speed	5
	TL221M	1Am	3 phases	81	1,1	21	1 speed	5
	TC214M	1Am	3 phases	56	0,75	14	1 speed	5
	TL214M	1Am	3 phases	81	0,75	14	1 speed	5
	TC209M	1Am	3 phases	56	0,75	9	1 speed	5
	TL209M	1Am	3 phases	81	0,75	9	1 speed	5
	TC260V	1Am	3 phases	56	3VV	60	Variation	5
	TL260V	1Am	3 phases	81	3VV	60	Variation	5
	TC243VM	1Am	1 phase	56	2,2VV	43	Variation	5
	TL243VM	1Am	1 phase	81	2,2VV	43	Variation	5
	TC243VT	1Am	3 phases	56	2,2VV	43	Variation	5
	TL243VT	1Am	3 phases	81	2,2VV	43	Variation	5
	TC221MM	1Am	1 phase	56	1,1	21	1 speed	5
	TL221MM	1Am	1 phase	81	1,1	21	1 speed	5
	TC214MM	1Am	1 phase	56	0,75	14	1 speed	5
	TL214MM	1Am	1 phase	81	0,75	14	1 speed	5
	TC209MM	1Am	1 phase	56	0,75	9	1 speed	5
	TL209MM	1Am	1 phase	81	0,75	9	1 speed	5
	TC221VM	1Am	1 phase	56	1,1 VV	21	Variation	5
	TL221VM	1Am	1 phase	81	1,1 VV	21	Variation	5
	TC221VT	1Am	3 phases	56	1,1 VV	21	Variation	5
	TL221VT	1Am	3 phases	81	1,1 VV	21	Variation	5
	TC214VM	1Am	1 phase	56	0,75VV	14	Variation	5
	TL214VM	1Am	1 phase	81	0,75VV	14	Variation	5
TC214VT	1Am	3 phases	56	0,75VV	14	Variation	5	
TL214VT	1Am	3 phases	81	0,75VV	14	Variation	5	
TC221B	1Am	3 phases	56	0,37/1,1	6/21	2 speed	5	
TL221B	1Am	3 phases	81	0,37/1,1	6/21	2 speed	5	
TC214B	1Am	3 phases	56	0,37/1,1	4/14	2 speed	5	
TL214B	1Am	3 phases	81	0,37/1,1	4/14	2 speed	5	

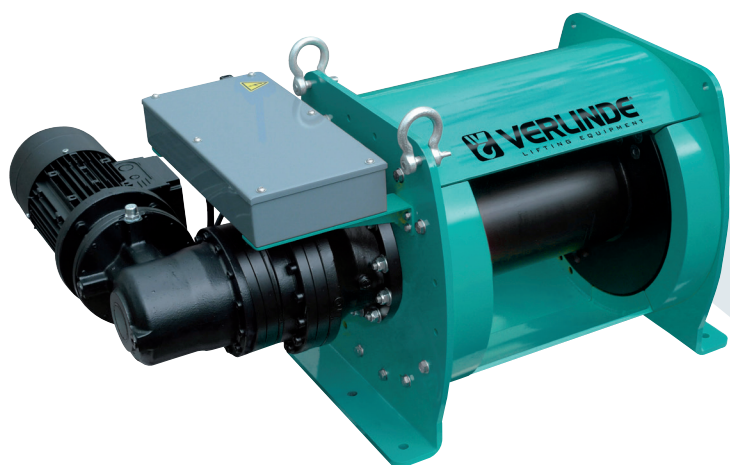


SWL (kg)	Type	Group	Motor type	Rope capacity	Motor power (kW)	Speed (m/min)	Speed type	Rope diameter	
500	TC521M	1Bm	3 phases	42	2,2	21	1 speed	7	
	TL521M	1Bm	3 phases	62	2,2	21	1 speed	7	
	TC511M	1Bm	3 phases	42	1,1	11	1 speed	7	
	TL511M	1Bm	3 phases	62	1,1	11	1 speed	7	
	TC504M	1Bm	3 phases	42	0,75	4	1 speed	7	
	TL504M	1Bm	3 phases	62	0,75	4	1 speed	7	
	TC511MM	1Bm	1 phase	42	1,1	11	1 speed	7	
	TL511MM	1Bm	1 phase	62	1,1	11	1 speed	7	
	TC521VM	1Bm	1 phase	42	2,2VV	21	Variation	7	
	TL521VM	1Bm	1 phase	62	2,2VV	21	Variation	7	
	TC521VT	1Bm	3 phases	42	2,2VV	21	Variation	7	
	TL521VT	1Bm	3 phases	62	2,2VV	21	Variation	7	
	TC511VM	1Bm	1 phase	42	1,1VV	11	Variation	7	
	TL511VM	1Bm	1 phase	62	1,1VV	11	Variation	7	
	TC511VT	1Bm	3 phases	42	1,1VV	11	Variation	7	
	TL511VT	1Bm	3 phases	42	1,1VV	11	Variation	7	
	TC511B	1Bm	3 phases	42	0,37/1,1	3/11	2 speed	7	
	TL511B	1Bm	3 phases	42	0,37/1,1	3/11	2 speed	7	
800	TC813M	1Bm	3 phases	59	3	13	1 speed	8	
	TL813M	1Bm	3 phases	88	3	13	1 speed	8	
	TC810M	1Bm	3 phases	59	2,2	10	1 speed	8	
	TL810M	1Bm	3 phases	88	2,2	10	1 speed	8	
	TC805MM	1Bm	1 phase	59	1,1M	5	1 speed	8	
	TL805MM	1Bm	1 phase	88	1,1M	5	1 speed	8	
	TC805M	1Bm	3 phases	59	1,1	5	1 speed	8	
	TL805M	1Bm	3 phases	88	1,1	5	1 speed	8	
	TC813V	1Bm	3 phases	59	3VV	13	Variation	8	
	TL813V	1Bm	3 phases	88	3VV	13	Variation	8	
	TC810VM	1Bm	1 phase	59	2,2VV	10	Variation	8	
	TL810VM	1Bm	1 phase	88	2,2VV	10	Variation	8	
	TC810VT	1Bm	3 phases	59	2,2VV	10	Variation	8	
	TL810VT	1Bm	3 phases	88	2,2VV	10	Variation	8	
	TC810B	1Bm	3 phases	59	0,75/2,2	3/10	2 speed	8	
	TL810B	1Bm	3 phases	88	0,75/2,2	3/10	2 speed	8	
	990	TC910M	1Bm	3 phases	34	2,2	10	1 speed	9
		TL910M	1Bm	3 phases	50	2,2	10	1 speed	9
TC905MM		1Bm	1 phase	34	1,1M	5	1 speed	9	
TL905MM		1Bm	1 phase	79	1,1M	5	1 speed	9	
TC905M		1Bm	3 phases	34	1,1	5	1 speed	9	
TL905M		1Bm	3 phases	79	1,1	5	1 speed	9	
TC913M		1Bm	3 phases	15	3	13	1 speed	9	
TL913M		1Bm	3 phases	22	3	13	1 speed	9	
TC910VM		1Bm	1 phase	34	2,2VV	10	Variation	9	
TL910VM		1Bm	1 phase	50	2,2VV	10	Variation	9	
TC910VT		1Bm	3 phases	34	2,2VV	10	Variation	9	
TL910VT		1Bm	3 phases	50	2,2VV	10	Variation	9	
TC910B		1Bm	3 phases	34	0,75/2,2	3/10	2 speed	9	
TL910B		1Bm	3 phases	50	0,75/2,2	3/10	2 speed	9	
1500	TC1504M	1Bm	3 phases	11	1,5	4	1 speed	11,5	
	TL1504M	1Bm	3 phases	16	1,5	4	1 speed	11,5	
	TC1509M	1Cm	3 phases	11	3	9	1 speed	11,5	
	TL1509M	1Cm	3 phases	16	3	9	1 speed	11,5	



# TVI

Industrial electric  
**3 phases**  
winches for  
loads from  
**1,000 to  
10,000 kg**



The range of compact electric winches TVI designed for the industrial market.

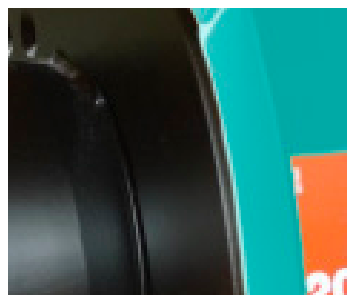
Due to the robustness, the compact dimensions, the wide range of load capacity, the large availability of options, the diversity of possible attachment, the TVI is perfectly adapted to all standard lifting or pulling/hauling applications.

## Technical characteristics

- > Power supply 230 / 400 V / 3 Ph / 50Hz.
- > Electric cubicle IP 55 on the winch.
- > Low voltage control 24V - Thermal circuit breaker.
- > Drum length : 350 mm.
- > Planetary gear box.
- > Push button box with emergency stop.
- > 3 meter control cable.
- > Several rope exit and options available.

## Options available

- > IP66 limit switches.
- > Additional rope fixation.
- > Load limiter.
- > Grooved drum 1 fixation.
- > Grooved drum 2 fixations.
- > Brake release.
- > Add shaft.
- > Drum length modification.
- > Drum cover at 3/4 surface.
- > Total drum cover protection.
- > Special motor voltage.
- > Motor tropicalized.
- > IP 56 motor.
- > IP 65 motor.
- > H class motor.
- > Slack rope detection.
- > Pressure roller.
- > Variable speed.
- > Offshore paint.
- > Radio remote.



> Système anti-dégoûtement du câble.  
Espace réduit.



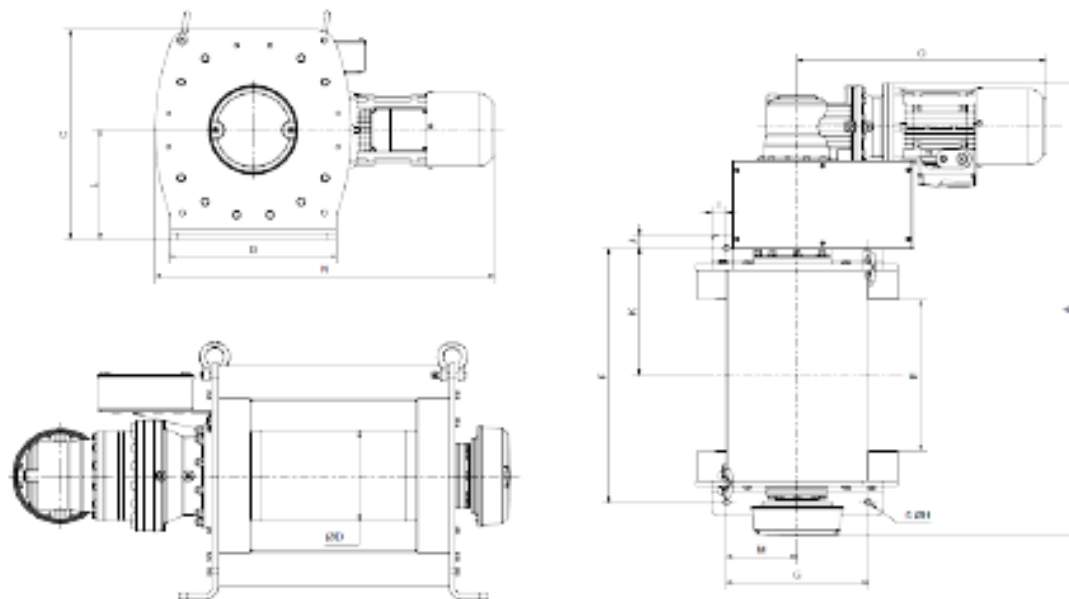
> Les tirants sont mobiles en fonction  
de la sortie de câble.



> Rouleau presse-câble et interrupteur de mou  
de câble intégrés sous le tirant supérieur.



## Technical characteristics & product range



Type	A	B	C	Ø D	E	F	G	I	J	K	L	M	N	O
TVI 1	911	290	375	125	350	525	240	25	23	263	188	120	716/748	548/578
TVI 2	1050/1045	420	500	219,1	350	590	330	45	32	295	262	165	823/902	578/657
TVI 3	1065/1090	420	500	219,1	350	590	330	45	32	295	262	165	823/902	578/657
TVI 4	1169/1194	520	665	292	350	600	420	50	30	300	350	210	905/984	578/657
TVI 5	1194/1220	520	665	292	350	600	420	50	30	300	350	210	954/1190	627/795
TVI 6	1224/1250	650	765	323,9	350	600	420	115	30	300	395	210	1013/1181	627/795
TVI 7	1241/1267	700	870	355,6	350	720	620	40	50	360	455	310	1103/1181	662/830
TVI 8	1241/1267	700	870	355,6	350	720	620	40	50	360	455	310	1133/1271	692/830
TVI 9	1288/1087	840	975	406,4	350	720	750	45	47	360	540	375	1133/1314	692/830
TVI 10	1288/1314	840	975	406,4	350	720	750	45	47	360	540	375	1176/1314	692/830

Dimensions in mm.

Type	Capacity at last layer (kg)	Capacity at first layer* (kg)	Number of layers	Speed at first layer (m/min)	Speed at upper layer (m/min)	Motor power (kW)	Drum length (mm)	Max cable length (m)	Rope diameter (mm)
TVI 1 5M	1000	1255	3	4	5	1,1	350	60	8
TVI 1 8M	1000	1255	3	8,5	10,5	2,2	350	60	8
TVI 2 5M	2000	2420	3	4,5	5,5	2,2	350	71	11,5
TVI 2 9M	2000	2420	3	8	9,5	4	350	71	11,5
TVI 3 3M	3000	3765	3	2,5	3,5	2,2	350	59	14
TVI 3 6M	3000	3765	3	4,5	5,5	4	350	59	14
TVI 4 2M	4000	4985	3	2	2,5	2,2	350	60	18
TVI 4 5M	4000	4985	3	3,5	4	4	350	60	18
TVI 5 3M	5000	6230	3	2,5	2	3	350	60	18
TVI 5 9M	5000	6230	3	6	7,5	9,2	350	60	18
TVI 6 3M	6000	7480	3	1,5	2	3	350	60	20
TVI 6 9M	6000	7480	3	5	6	9,2	350	60	20
TVI 7 3M	7000	8725	3	1,5	2	3	350	60	22
TVI 7 6M	7000	8725	3	4,5	6	9,2	350	60	22
TVI 8 4M	8000	9975	3	2	2,5	4	350	60	22
TVI 8 9M	8000	9975	3	4	5	9,2	350	60	22
TVI 9 2M	9000	11120	3	1,5	2	4	350	62	24
TVI 9 5M	9000	11120	3	4	4,5	9,2	350	62	24
TVI 10 3M	10000	12355	3	2	2,5	5,5	350	62	24
TVI 10 4M	10000	12355	3	3,5	4,5	9,2	350	62	24

\*Load capacities are given for the first layer of cable.







# TEC

Electric  
**3 phases**  
winches  
for loads from  
**600 to 10,000 kg**



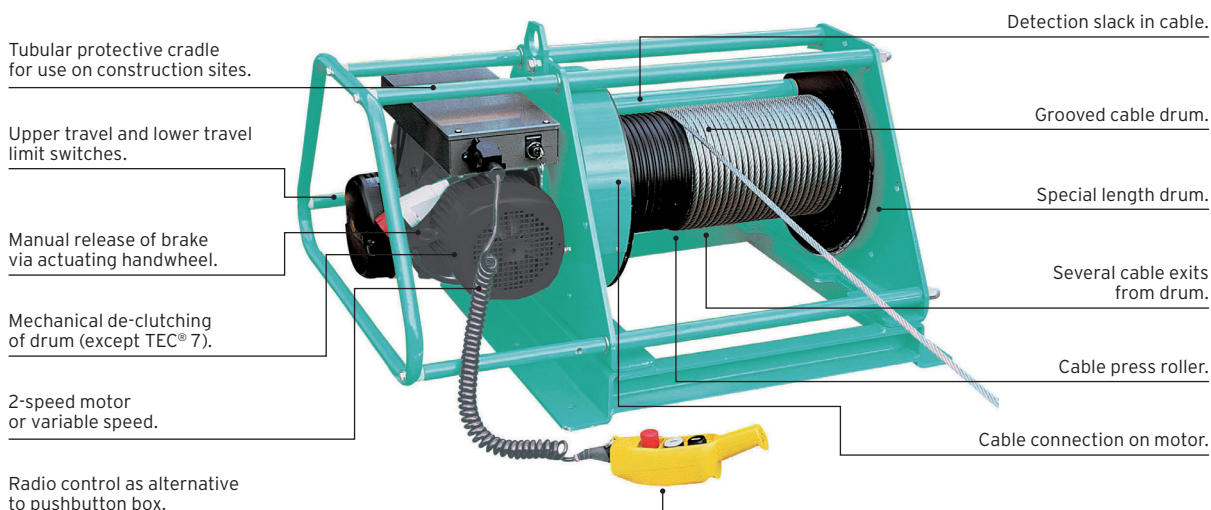
This range of all-purpose electric winches for hoisting and pulling provides the perfect solution to all your needs with its wide range of loads and the considerable number of options available. What is more, the rugged design of this winch is a warrant for an extremely long service life requiring very little maintenance.

## Technical characteristics

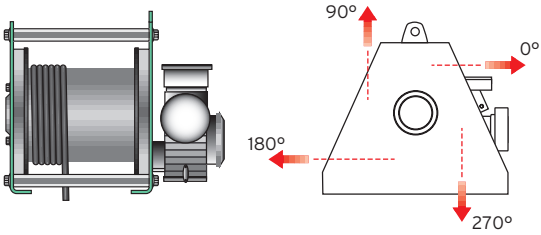
- > A 230/400 V - 50 Hz 3-phase electric motor.
- > A low voltage electromagnetic brake with automatic take-up of wear.
- > Type IP 54 protection for the switchgear (cabinet and motor).
- > An emergency stop pushbutton box on a 3 meters long spiral cable.
- > An ON/OFF contactor.
- > A 24 V low voltage transformer.
- > A thermal cutout circuit-breaker.
- > A primary down gearing by an oil bath reduction box.
- > A secondary down gearing by gear under a cover (except for the TEC® 7).
- > A modular design frame amenable for changes (for instance a multiple choice of exits to lead out the cable from the drum).
- > Comply with directive CE 2006/42/CE.



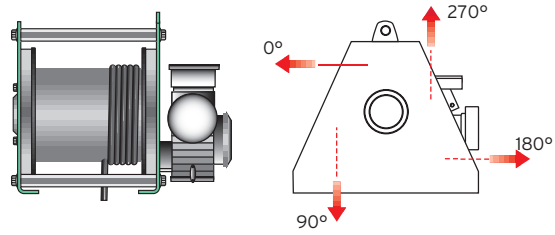
## Options available



Cables exits

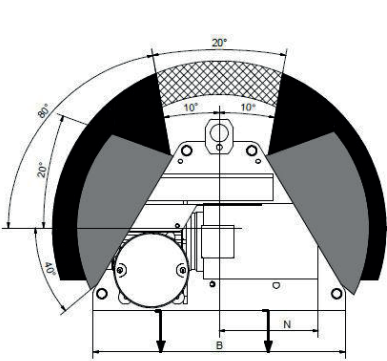


Right entry (cable) - standard

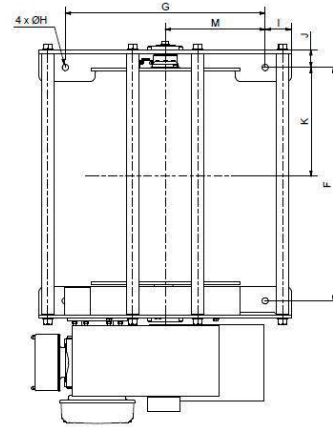
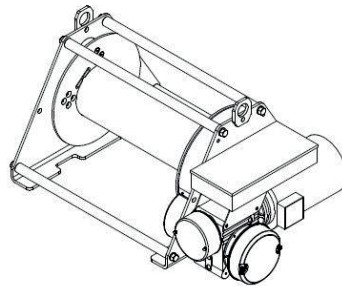
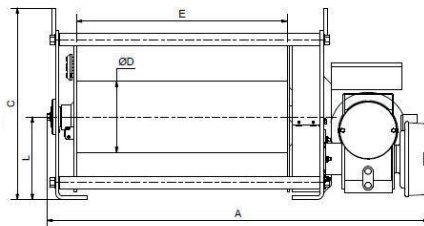


Left entry (cable) - standard

Technical characteristics & product range



Wire rope maximal amplitude - Outlet from under  
 Wire rope maximal amplitude - Outlet from above  
 Impossible wire rope outlet (except under request)



Type	Capacity at last layer (kg)	Capacity at first layer (kg)	Number of layers	Average speed (m/min)	Motor (kW)	Drum length (mm)	Maximum cable length capacity (m)	Weight (kg)	Rope Diameter	Dimensions in mm												
										A	B	C	OD	E	F	G	OH	I	J	K	L	M
TEC 2	600	755	5	9,7	2,2	600	325	215	6,8	1088	720	545	203	600	665	570	18	75	50	665	235	285
	600	755	5	14,6	3	600	325	220	6,8	1088	720	545	203	600	665	570	18	75	50	665	235	285
	600	755	5	19,8	4	600	325	220	6,8	1088	720	545	203	600	665	570	18	75	50	665	235	285
	900	1165	5	7,5	2,2	600	280	215	8	1088	720	545	203	600	665	570	18	75	50	665	235	285
	900	1165	5	10	3	600	280	220	8	1088	720	545	203	600	665	570	18	75	50	665	235	285
TEC 3	900	1165	5	20,3	5,5	600	280	220	8	1088	720	545	203	600	665	570	18	75	50	665	285	285
	1000	1300	5	6	2,2	600	280	215	8	1088	720	545	203	600	665	570	18	75	50	665	235	285
	1000	1300	5	12,2	4	600	280	220	8	1088	720	545	203	600	665	570	18	75	50	665	235	285
	1300	1710	4	5,1	2,2	600	160	215	11,5	1088	720	545	203	600	665	570	18	75	50	665	235	285
	1300	1710	4	12,5	5,5	600	160	220	11,5	1088	720	545	203	600	665	570	18	75	50	665	235	285
TEC 4	1600	2110	4	4,4	2,2	600	160	215	11,5	1088	720	545	203	600	665	570	18	75	50	665	235	285
	1600	2110	4	10,4	5,5	600	160	220	11,5	1088	720	545	203	600	665	570	18	75	50	665	235	285
	2000	2410	4	5,2	2,2	600	235	670	11,5	1224	1000	973	324	600	725	750	22	125	78	303	410	375
	2000	2410	4	10,9	4	600	235	700	11,5	1224	1000	973	324	600	725	750	22	125	78	303	410	375
	2600	3200	4	4,3	2,2	600	215	670	13	1224	1000	973	324	600	725	750	22	125	78	303	410	375
TEC 5	2600	3200	4	8,1	4	600	215	693	13	1224	1000	973	324	600	725	750	22	125	78	303	410	375
	3300	4220	4	3,3	2,2	600	180	680	15,8	1237	1000	973	324	600	725	750	22	125	78	303	410	375
	3300	4220	4	5,7	4	600	180	703	15,8	1237	1000	973	324	600	725	750	22	125	78	303	410	375
	5000	6575	4	2	2,2	600	160	710	18	1283	1000	973	324	600	725	750	22	125	78	303	410	375
	5000	6575	4	4	4	600	160	730	18	1283	1000	973	324	600	725	750	22	125	78	303	410	375
TEC 6	5000	6575	4	8,7	11	600	160	815	18	1271	1000	973	324	600	725	750	22	125	78	303	410	375
	7500	9875	4	3,5	5,5	800	215	1250	22	1471	1200	1143	394	800	922	1000	28	100	73	412	500	500
TEC 7	10000	14230	5	5,2	11	800	265	1950	24	1659	1240	1295	394	800	1216	1000	27	120	50	555	662	500

