



**EXPERT** Crane Components



**PAL**®

Range of steel  
and aluminium lifting beams  
for loads from 125 to 10,000 kg

 **VERLINDE**  
LIFTING EQUIPMENT

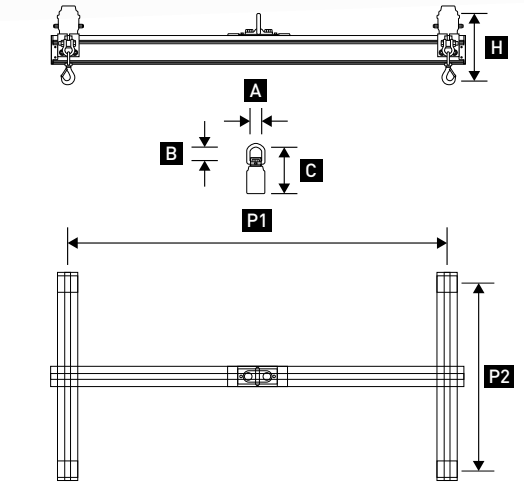
# PAL P4HF ALU

for loads from 125 to 2000 kg  
Aluminium axial cord lifting beam  
with **fixed** 4 lifting points

Load (kg)	Total span in metres / Total base in metres						
	1/1	2/1	3/1	3/2	4/1	4/2	
125	Maxi/mini length between hooks (P1/P2)	840/900	1840/900	2840/900	2840/1900	3840/900	3840/1900
	Weight (kg)	51	58	64	77	71	84
	Headroom (H)	310	310	310	310	310	310
	Dim. A x B x C	56x53x226	56x53x226	56x53x226	56x53x226	56x53x226	56x53x226
250	Maxi/mini length between hooks (P1/P2)	840/900	1840/900	2840/900	2840/1900	3840/900	3840/1900
	Weight (kg)	51	58	64	77	71	84
	Headroom (H)	310	310	310	310	310	310
	Dim. A x B x C	56x53x226	56x53x226	56x53x276	56x53x276	56x53x276	56x53x276
500	Maxi/mini length between hooks (P1/P2)	840/900	1840/900	2840/900	2840/1900	3840/900	3840/1900
	Weight (kg)	51	58	71	84	79	92
	Hauteur perdue (H)	310	310	310	310	310	310
	Dim. A x B x C	56x53x226	56x53x226	56x53x276	56x53x276	56x53x276	56x53x276
750	Maxi/mini length between hooks (P1/P2)	840/900	1840/900	2840/900	2840/1900	3840/900	3840/1900
	Weight (kg)	51	62	71	84	87	100
	Headroom (H)	310	310	310	310	310	310
	Dim. A x B x C	56x53x226	56x53x276	56x53x276	56x53x276	56x53x306	56x53x306
1000	Maxi/mini length between hooks (P1/P2)	840/900	1840/900	2840/900	2840/1900	3840/900	3840/1900
	Weight (kg)	55	66	77	90	103	116
	Headroom (H)	310	310	310	310	310	310
	Dim. A x B x C	56x53x306	56x53x306	56x53x306	56x53x306	56x53x341	56x53x341
1600	Maxi/mini length between hooks (P1/P2)	840/900	1840/900	2840/900	2840/1900	-	-
	Weight (kg)	55	66	88	101	-	-
	Hauteur perdue (H)	310	310	310	310	-	-
	Dim. A x B x C	56x53x306	56x53x306	56x53x341	56x53x341	-	-
2000	Maxi/mini length between hooks (P1/P2)	840/900	1840/900	-	-	-	-
	Weight (kg)	64	82	-	-	-	-
	Headroom (H)	310	310	-	-	-	-
	Dim. A x B x C	56x53x306	56x53x341	-	-	-	-

Axial cord avec tear-resistant eyelet

Construction without load-bearing welding



Adjustment at the end of the distance of the hoisting points in 100 mm steps

# PAL P4HR ALU

for loads from 125 to 2000 kg  
Aluminium axial cord lifting beam  
avec 4 lifting points **adjustable**

Load (kg)	Total span in metres / Total base in metres						
	1/1	2/1	3/1	3/2	4/1	4/2	
125	Long. maxi/mini between hooks (P1/P2)	840/400	1840/940	2840/1440	2840/1440	3840/1940	3840/1940
	Maxi/mini width between hooks (P3/P4)	900/500	900/500	900/500	1900/900	900/500	1900/900
	Weight (kg)	51	58	64	77	71	84
	Headroom (H)	310	310	310	310	310	310
250	Long. maxi/mini between hooks (P1/P2)	840/400	1840/940	2840/1440	2840/1440	3840/1940	3840/1940
	Maxi/mini width between hooks (P3/P4)	900/500	900/500	900/500	1900/900	900/500	1900/900
	Weight (kg)	51	58	64	77	71	84
	Headroom (H)	310	310	310	310	310	310
500	Long. maxi/mini between hooks (P1/P2)	840/400	1840/940	2840/1440	2840/1440	3840/1940	3840/1940
	Maxi/mini width between hooks (P3/P4)	900/500	900/500	900/500	1900/900	900/500	1900/900
	Weight (kg)	51	58	71	84	79	92
	Headroom (H)	310	310	310	310	310	310
750	Long. maxi/mini between hooks (P1/P2)	840/400	1840/940	2840/1440	2840/1440	3840/1940	3840/1940
	Maxi/mini width between hooks (P3/P4)	900/500	900/500	900/500	1900/900	900/500	1900/900
	Weight (kg)	51	62	71	84	87	100
	Headroom (H)	310	310	310	310	310	310
1000	Long. maxi/mini between hooks (P1/P2)	840/400	1840/940	2840/1440	2840/1440	3840/1940	3840/1940
	Maxi/mini width between hooks (P3/P4)	900/500	900/500	900/500	1900/900	900/500	1900/900
	Weight (kg)	55	66	77	90	103	116
	Headroom (H)	310	310	310	310	310	310
1600	Long. maxi/mini between hooks (P1/P2)	840/440	1840/940	2840/1440	2840/1440	-	-
	Maxi/mini width between hooks (P3/P4)	900/500	900/500	900/500	1900/900	-	-
	Weight (kg)	55	66	88	101	-	-
	Headroom (H)	310	310	310	310	-	-
2000	Long. maxi/mini between hooks (P1/P2)	840/440	1840/940	-	-	-	-
	Maxi/mini width between hooks (P3/P4)	900/500	900/500	-	-	-	-
	Weight (kg)	64	82	-	-	-	-
	Headroom (H)	310	310	-	-	-	-

Adjustment end stops

Adjustment range

Construction easily dismantled by simple bolting

