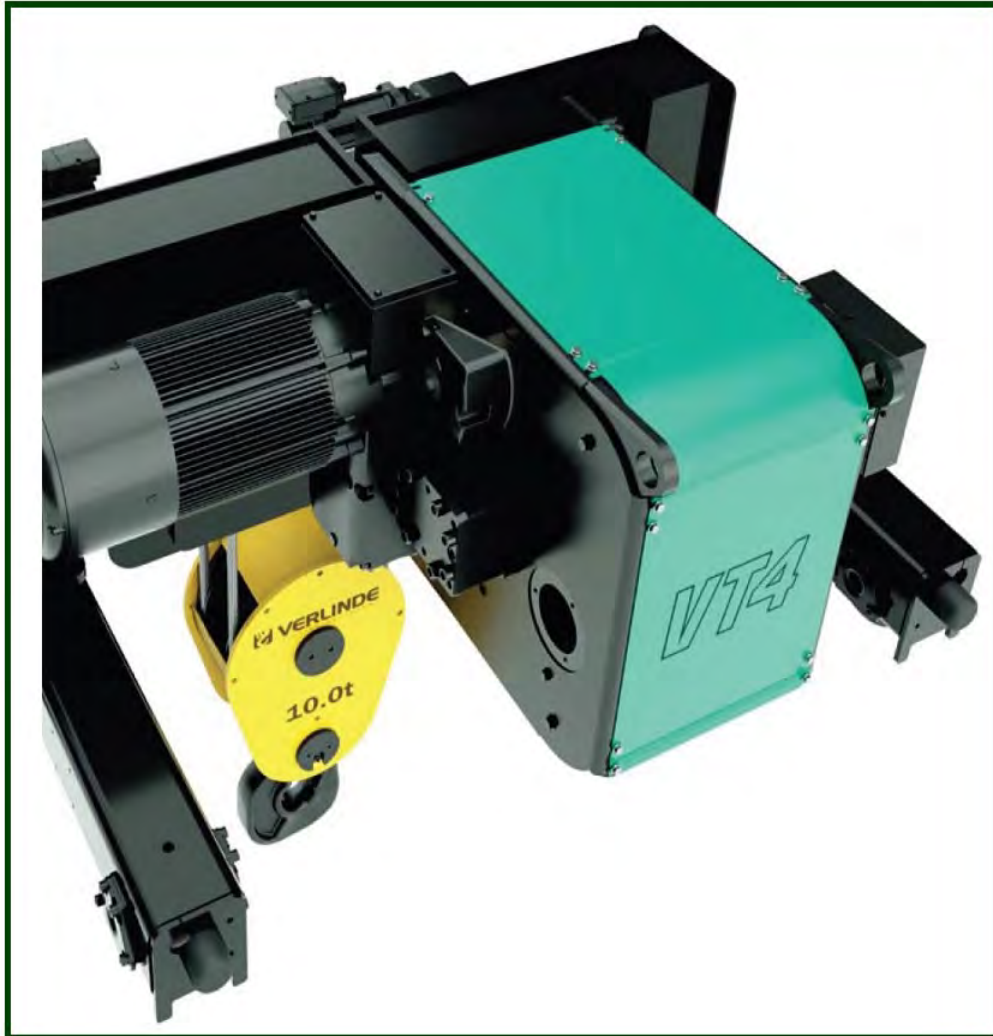


SPARE PARTS FOR VT4

To avoid errors when ordering please specify:

- Complete type of hoist
- Date of manufacture and serial number
- Spare part code
- Spare part designation
- Additional information



1) FRAME

- 1.1) Without hoist drum brake -Trolley F-H-M-MA-MB-N
- 1.2) Hoist drum brake: Hold, speed - Trolley F-H-M-MA-MB-N
- 1.3) Without hoist drum brake - Machinery hoist
- 1.4) Hoist drum brake : Hold, speed - Machinery hoist

2) ROPE DRUM

- 2.1) Old model - Trolley F-H-M-MA-MB-N

3) GEAR

4) MOTOR

- 4.1) Hoist motor size : 6 - Hoist motor : P,T
- 4.2) Hoist motor size : 7 - Motor : P,T
- 4.3) Hoist motor size : 8,9,A

5) ROPE SHEAVE - HOIST SIDE

- 5.1) Rope reeving code 02
- 5.2) Rope reeving code 04
- 5.3) Rope reeving code 06
- 5.4) Rope reeving code 08
- 5.5) Rope reeving code 22
- 5.6) Rope reeving code 24
- 5.7) Rope reeving code 26
- 5.8) Rope reeving code 28

6) ROPE SHEAVE - TROLLEY SIDE

- 6.1) Reeving system 04
- 6.2) Reeving system 06
- 6.3) Reeving system 08
- 6.4) Reeving system 24
- 6.5) Reeving system 26
- 6.6) Reeving system 28 - Trolley type V

7) OVERLOAD DEVICE - BEFORE 2011

- 7.1) Mechanical limit switch - Mechanical limit switch & Hoist power measurement - Rope reeving 02-04-06-08-10
- 7.2) Strain gauge - Rope reeving code : 02-04-06-08-10
- 7.3) No overload device - Hoist power measurement - Rope reeving code : 02-04-06-08-10
- 7.4) Mechanical limit switch - Mechanical limit switch and hoist power - Rope reeving code 20-22-24-26-28
- 7.5) Strain gauge - Rope reeving code : 20-22-24-26-28
- 7.6) No overload device - Hoist power measurement - Rope reeving code 20-22-24-26-28

8) OVERLOAD DEVICE - AFTER 2011

- 8.1) Mechanical limit switch - Reeving system 02-04-06-08
- 8.2) Strain gauge - Rope reeving code : 02-04-06-08
- 8.3) No overload device - Hoist power measurement - Rope reeving code : 02-04-06-08
- 8.4) Mechanical limit switch - Reeving system : 22
- 8.5) Strain gauge - Rope reeving code : 22
- 8.6) No overload device - Rope reeving code : 22
- 8.7) Mechanical limit switch - Reeving system 24-26-28

8.8) Strain gauge - Rope reeving code : 24-26-28

8.9) No overload device-Hoist power measurement-Rope reeving code : 02-04-06-08 Trolley type V - Rope reeving code : 02-04-06-08-22-24-26-28

9) HOOK - BEFORE 2011

9.1) Reeving system : 02

9.2) Reeving system : 04

9.3) Reeving system : 06

9.4) Reeving system : 08-10

9.5) Reeving system : 22

9.6) Reeving system : 24

9.7) Reeving system : 26

9.8) Reeving system : 28

10) HOOK - AFTER 2011

10.1) Reeving system : 02

10.2) Reeving system : 04

10.3) Reeving system : 06

10.4) Reeving system : 08

10.5) Reeving system : 22

10.6) Reeving system : 24

10.7) Reeving system : 26

10.8) Reeving system : 28

11) HOIST LIMIT SWITCH

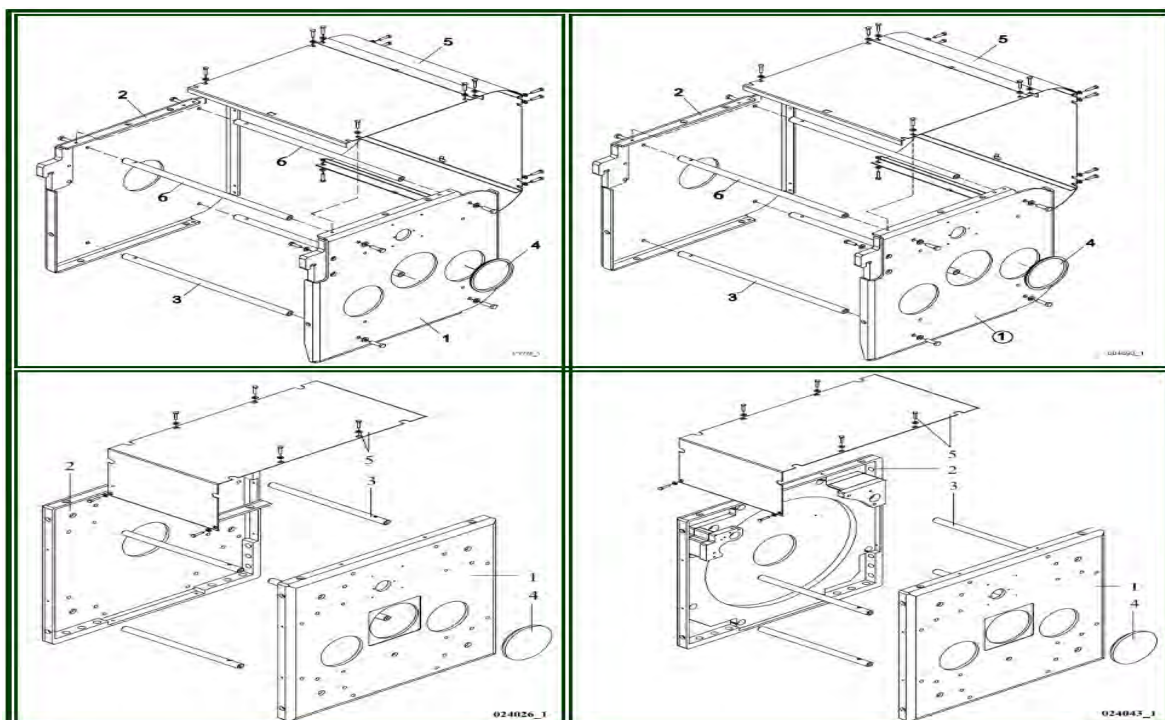
11.1) Hoist limit switch

11.2) Hazardous areas : D-DCSA-DE - OLD MODEL (To H0426030)

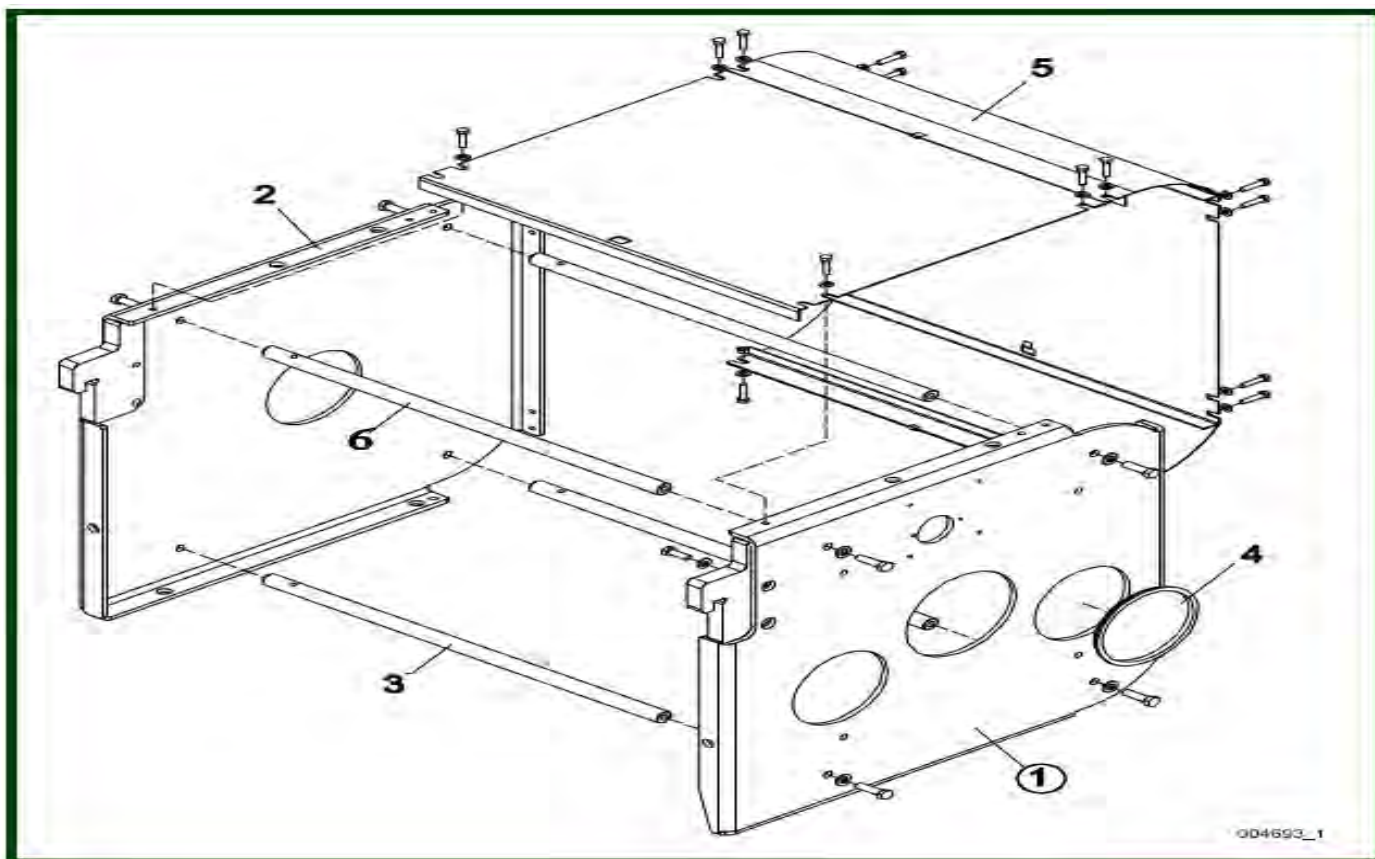
11.3) Hazardous areas : D-DCSA-DE - OLD MODEL (To H0426030)

11.4) Hazardous areas : C1D2 - ZONE 1 - ZONE 2

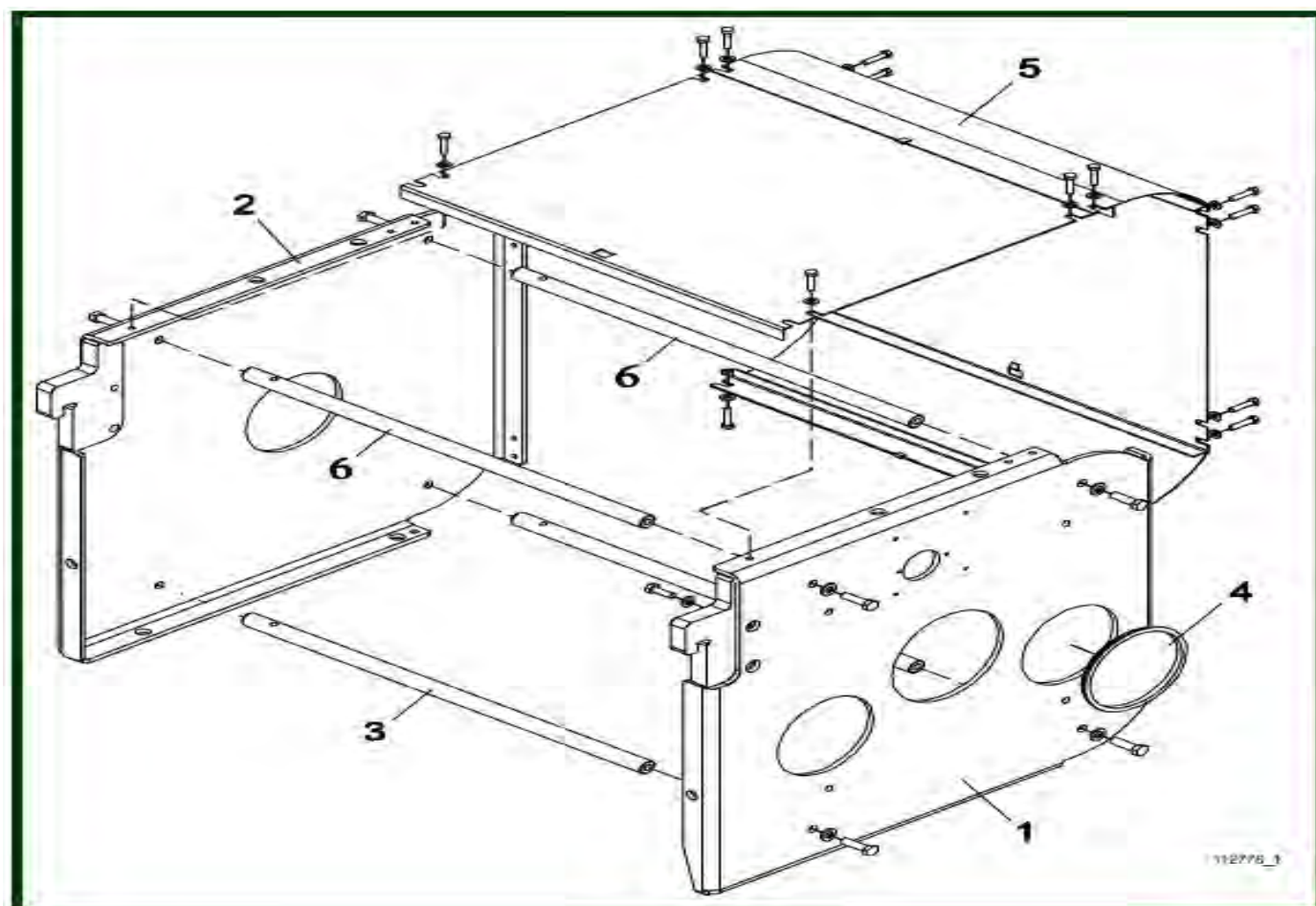
1) FRAME



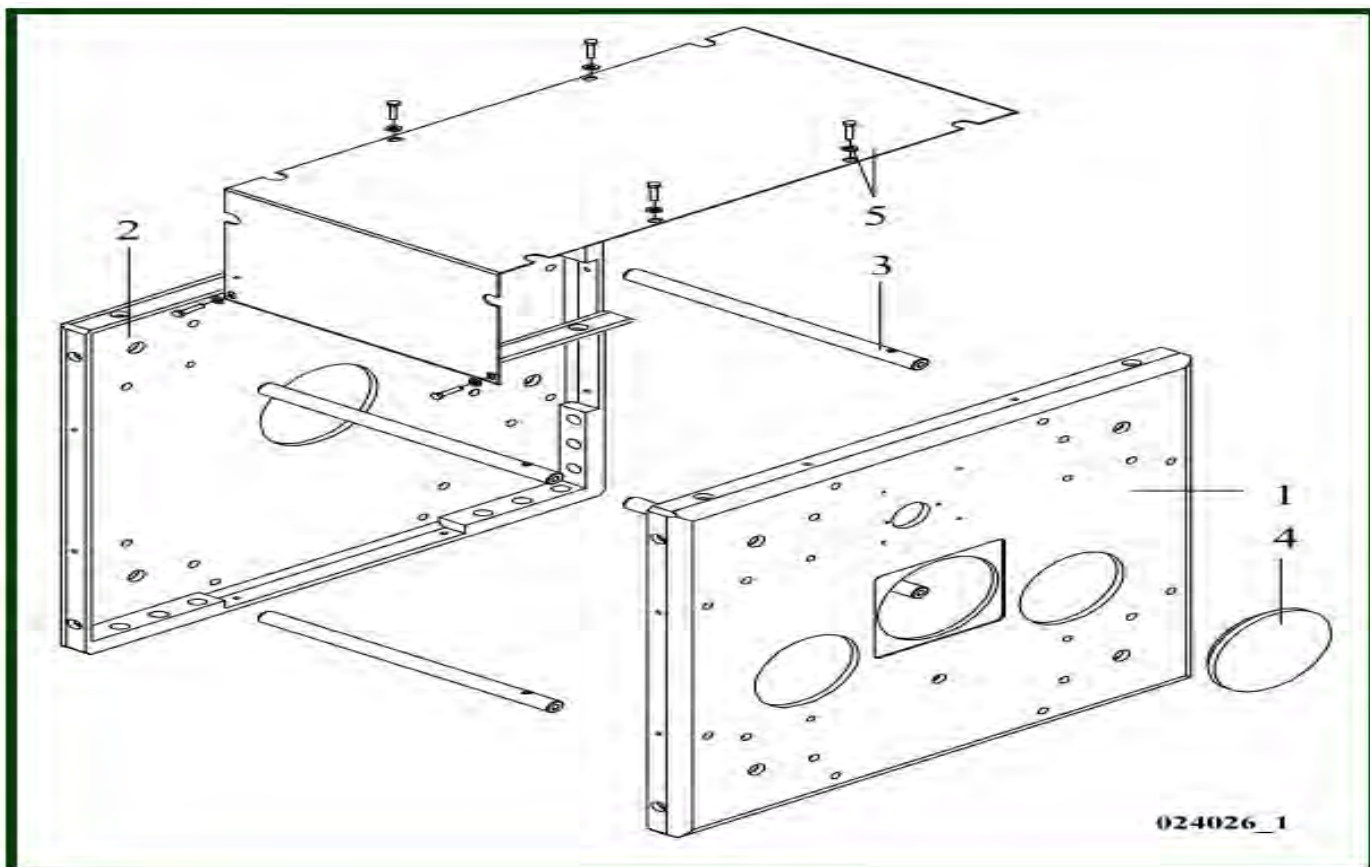
1.1) WITHOUT HOIST DRUM BRAKE - TROLLEY F-H-M-MA-MB-N



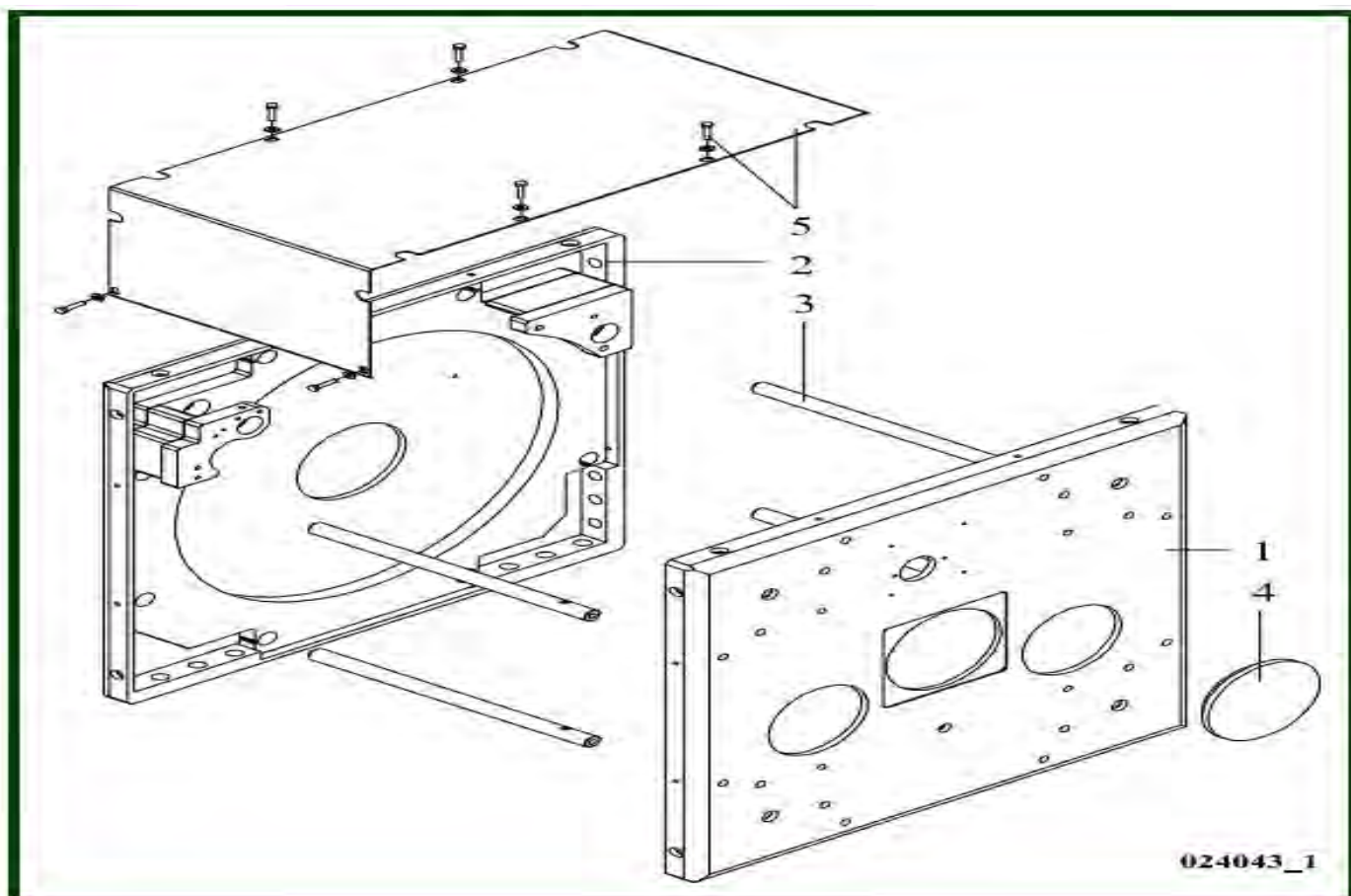
1.2) HOIST DRUM BRAKE: HOLD, SPEED - TROLLEY F-H-M-MA-MB-N



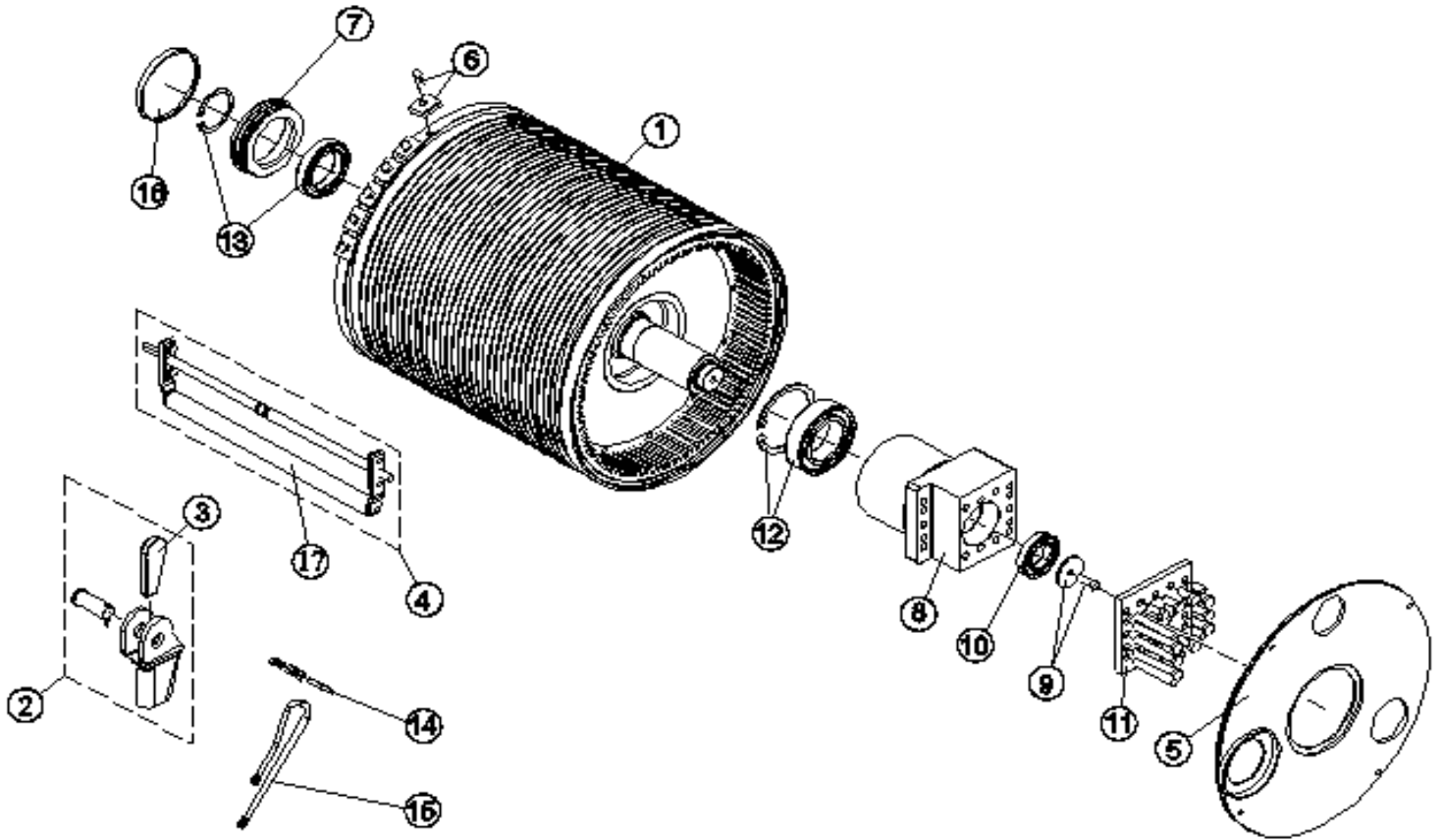
1.3) WITHOUT HOIST DRUM BRAKE - MACHINERY HOIST



1.4) HOIST DRUM BRAKE: HOLD, SPEED - MACHINERY HOIST

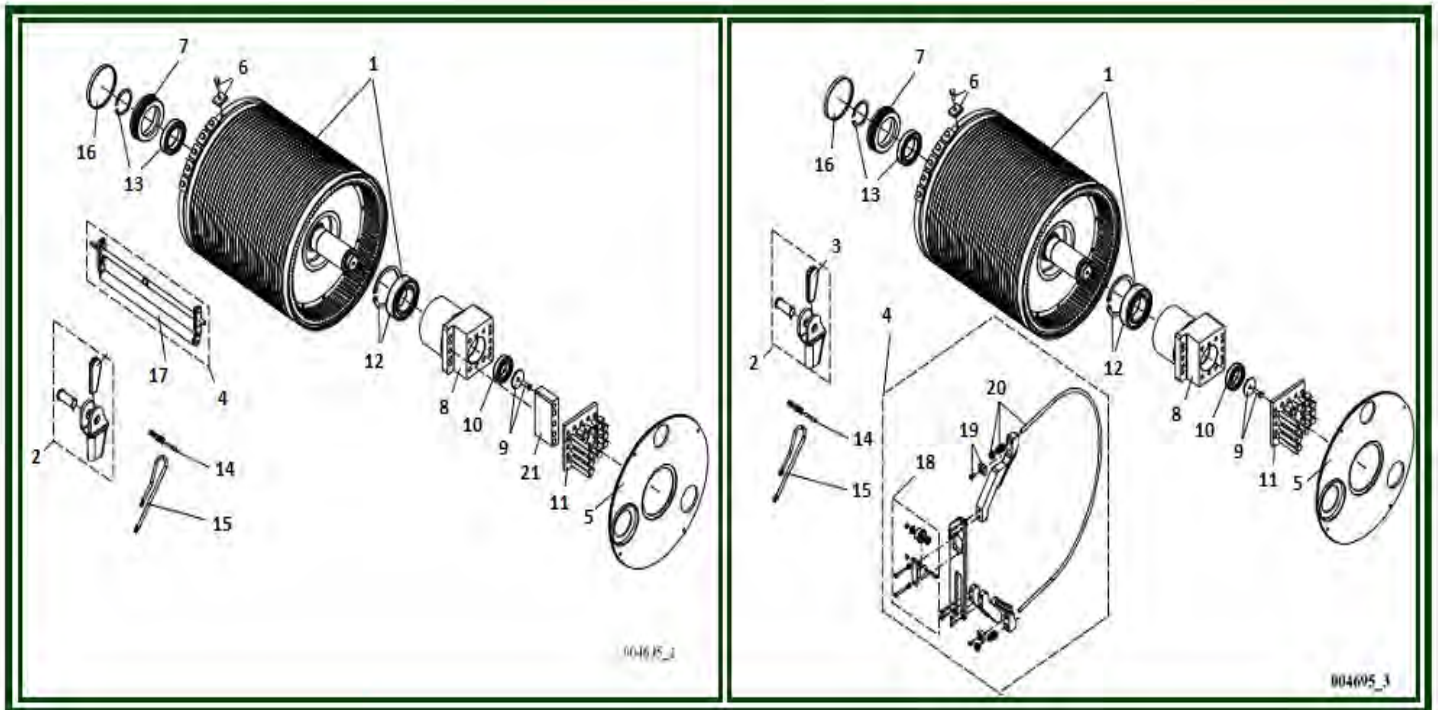


2) ROPE DRUM



004695_1

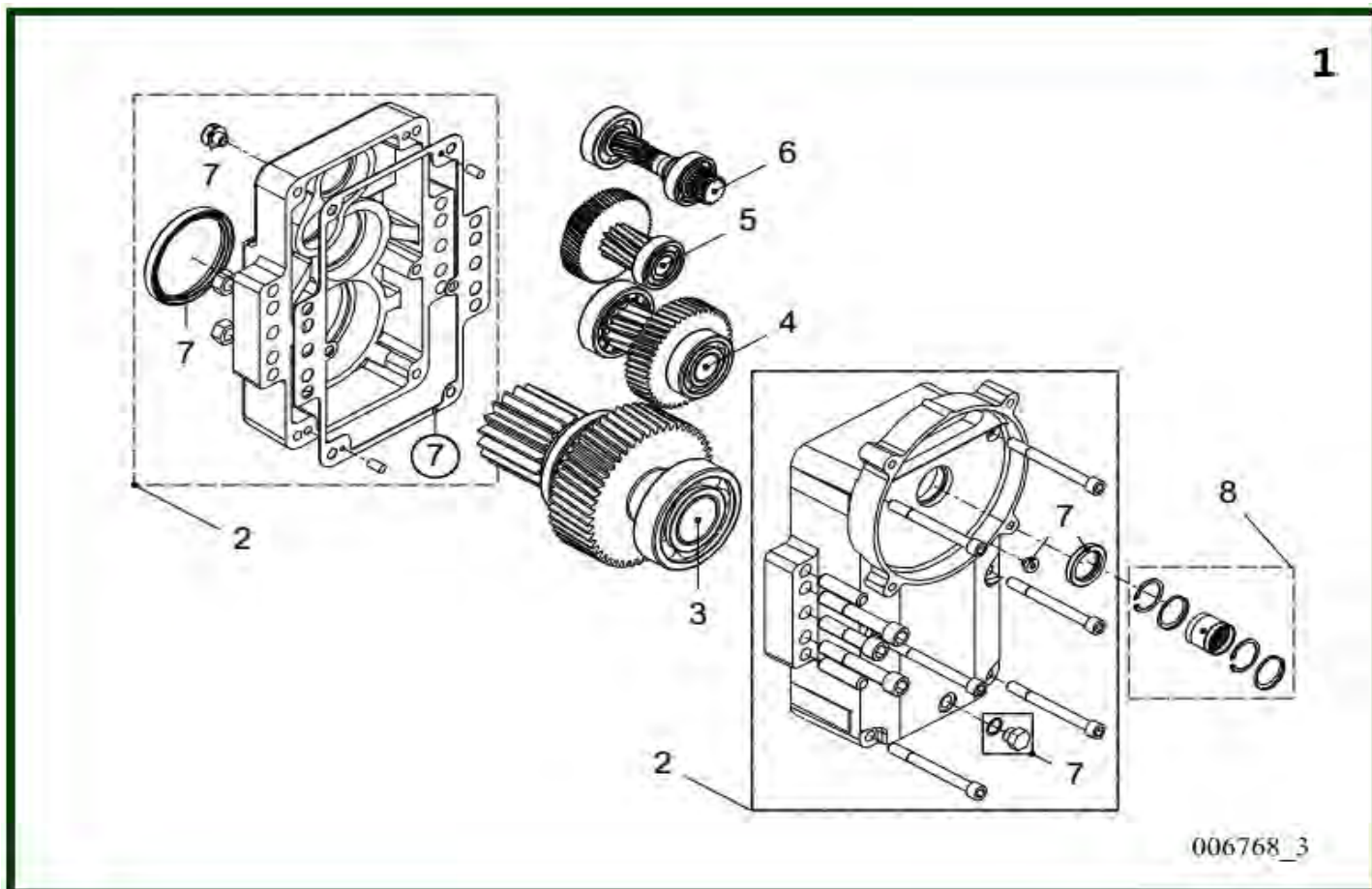
2.1) OLD MODEL - TROLLEY F-H-M-MA-MB-N



004695_1

004695_3

3) GEAR

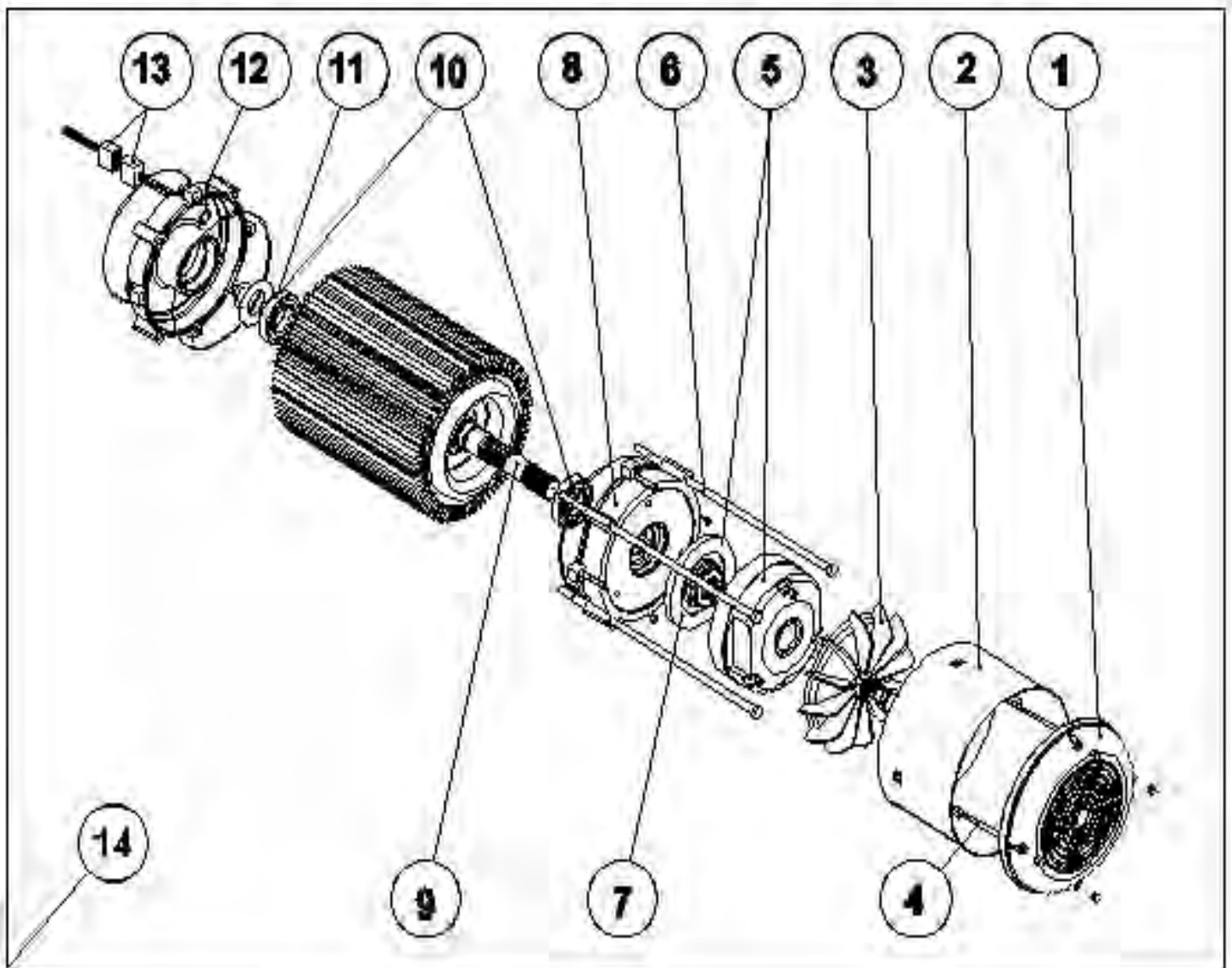


ITEM	REFERENCE	DESCRIPTION
1	VT0002886	Gear-24m/mn, Hoisting type G
1	VT0002885	Hoisting gear box, Hoisting type F
1	VT0002888	Hoisting gear box, Hoisting type H
1	VT0002889	Hoisting gear box, Hoisting type J
1	VT0002884	Hoisting gear box-16m/mn, Hoisting type E
2	VT0001851	Hoisting gear type, Hoisting type E-F
2	VT0001853	Hoisting gear type, Hoisting type G-H-J
3	VT0002925	Shaft assembly
3	VT0001855	Shaft assembly
4	VT0001856	Shaft assembly, Hoisting type E-H
4	VT0001857	Shaft assembly, Hoisting type F-G-J
5	VT0002928	Shaft assembly, Hoisting type E, (VT0001858)
5	VT0002929	Shaft assembly, Hoisting type F, (VT0001859)
5	VT0002930	Shaft assembly, Hoisting type G, (VT0001859)
5	VT0003555	Shaft assembly, Hoisting type H, (VT0001894)

5	VT0003556	Shaft assembly, Hoisting type J, (VT0001934)
6	VT0003464	Shaft assembly, Hoisting type E-F, (VT0001946)
6	VT0003465	Shaft assembly, Hoisting type G
6	VT0003466	Shaft assembly, Hoisting type H-J, (VT0001953)
7	VT0002891	Sealing set, Hoisting type G-H-J, (VT0001982)
8	VT0003211	Motor + gearbox coupling, Hoisting type E-F, (VT0000264)
8	VT0001983	Motor + gearbox coupling, Hoisting type G-H-J

4) MOTOR

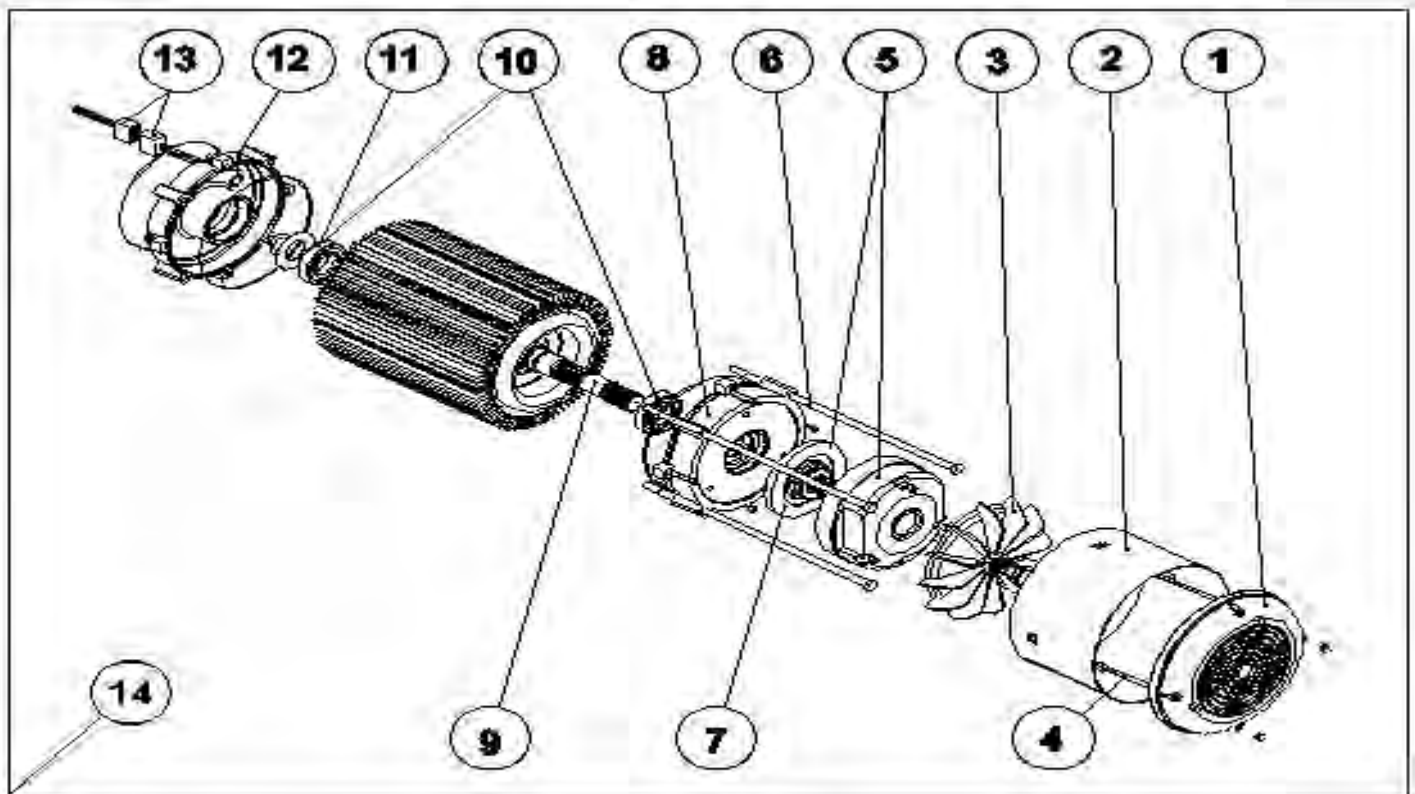
4.1) HOIST MOTOR SIZE: 6 - HOIST MOTOR: P, T



When ordering motors please specify motor serial number
 Lors de la commande d'un moteur veuillez indiquer le n° de série

ITEM	REFERENCE	DESCRIPTION
1	VT0000219	Grating set, VT0000103
2	VT0000220	Cover, VT0000104
3	VT0000105	Fan
4	VT0000106	Support
5	VT0000111	Brake 200/240V, VT0002866
5	VT0000107	Brake 380/480V, VT0002842
5	VT0000108	Brake 500/600V, VT0002852
5	VT0000109	Brake 660/690V 50Hz, VT0002859
6	VT0000112	Screws set, Hoist motor type P
6	VT0000113	Screws set, Hoist motor type T
7	VT0000086	Brake disc
8	VT0000114	Flange
9	VT0000115	Shaft assembly, Hoist motor type P
9	VT0000634	Shaft assembly, Hoist motor type T, Hoisting gear type E-F
10	VT0000116	Bearing, Hoist motor type P
10	VT0000117	Bearing, Hoist motor type T
11	VT0000118	Bearing, Hoist motor type T
12	VT0000119	Flange
13	VT0000631	Plug
14	VT0001908	Motor, Hoist motor type T
14	VT0002140	Motor, 208/230 60 Hz, P - Mechanical limit switch, Hoist power measurement
14	VT0001907	Motor, 208/230 60Hz, P - Mechanical limit switch, Without overload device, Strain gauge
14	VT0002139	Motor, 220/240 50Hz, P - Mechanical limit switch, Hoist power measurement
14	VT0000121	Motor, 220/240 50Hz, P - Mechanical limit switch, Without overload device, Strain gauge
14	VT0000120	Motor, 380/415V 50Hz - 440/480 60 Hz, P - Mechanical limit switch, Without overload device, Strain gauge
14	VT0002138	Motor, 380/415 50Hz - 440-480 60Hz, P - Mechanical limit switch, Hoist power measurement
14	VT0000122	Motor, 500/525 50Hz -550-600 60Hz, P - Mechanical limit switch Without overload device, Strain gauge
14	VT0002141	Motor, 500/525 50Hz - 550/600 60 Hz, P - Mechanical limit switch, Hoist power measurement

4.2) HOIST MOTOR SIZE: 7 - MOTOR: P, T

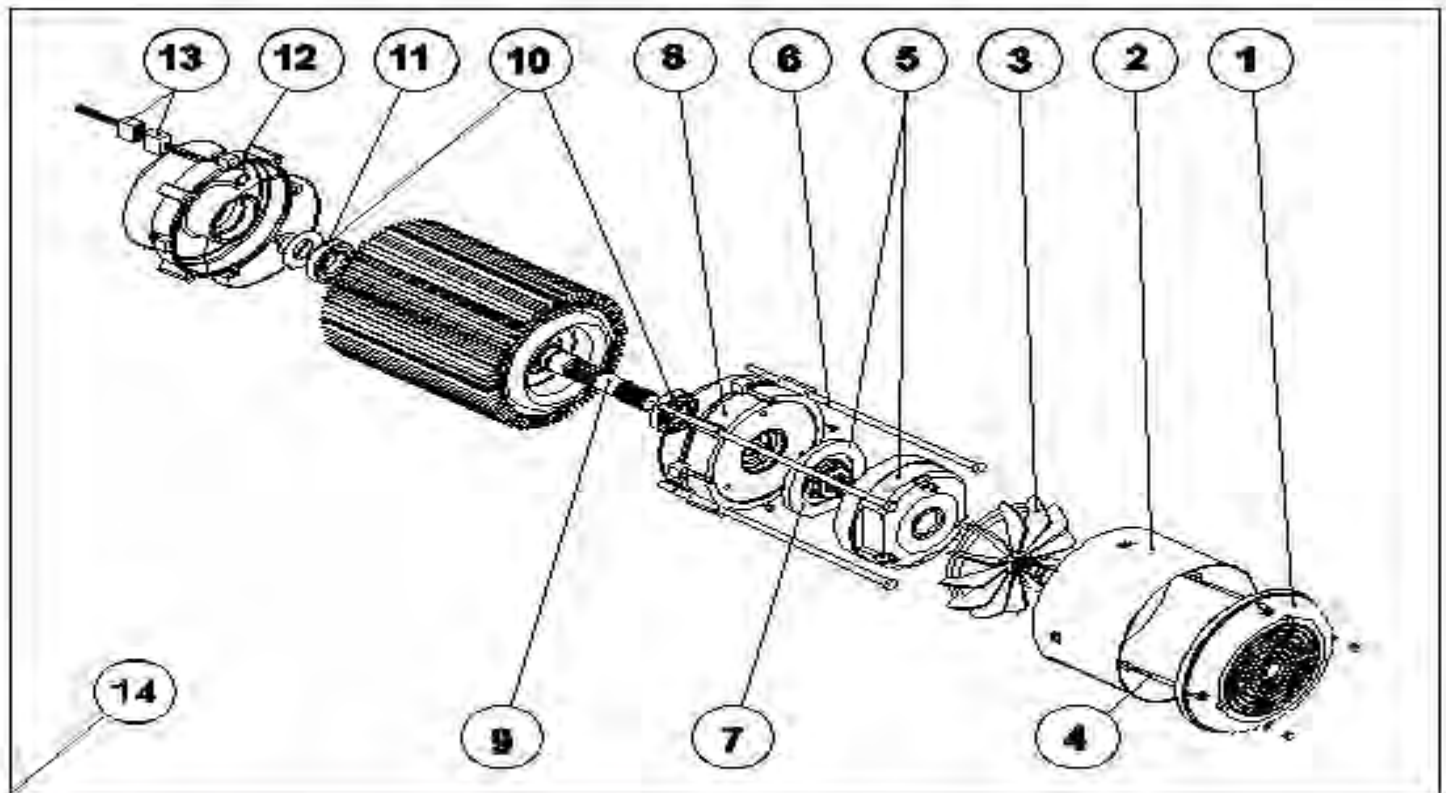


When ordering motors please specify motor serial number.
Lors de la commande d'un moteur veuillez indiquer le n° de série.

ITEM	REFERENCE	DESCRIPTION
1	VT0000219	Grating set, VT0000103
2	VT0000220	Cover, VT0000104
3	VT0000105	Fan
4	VT0000106	Support
5	VT0000126	Brake 200/240V
5	VT0000123	Brake 380/480V
5	VT0000124	Brake 500/600V
5	VT0000125	Brake 660/690 50 Hz
6	VT0000127	Screws set, Hoist motor type P
6	VT0000128	Screws set, Hoist motor type T
7	VT0000129	Brake disk
8	VT0000131	Flange
9	VT0000130	Shaft assembly, Hoist motor type P, Hoisting gear type E-F
9	VT0001910	Shaft assembly, Hoist motor type P, Hoisting gear type G, H, J
9	VT0000634	Shaft assembly, Hoist motor type T, Hoisting gear type E-F

9	VT0001909	Shaft assembly, Hoist motor type T, Hoisting gear type G-H-J
10	VT0000116	Bearing, Hoist motor type P
10	VT0000117	Bearing, Hoist motor type T
11	VT0000118	Bearing, Hoist motor type T
12	VT0000119	Flange
13	VT0000631	Plug
14	VT0001917	Motor, Hoist motor type T, Hoist drum length G-H-J
14	VT0001912	Motor, Hoist motor type T, Hoisting gear type E-F
14	VT0002131	Motor, 208-230 60 Hz, P - Mechanical limit switch, Hoist power measurement, Hoisting gear type G-H-J
14	VT0002135	Motor, 208/230 60 Hz, P - Mechanical limit switch, Hoist power measurement, Hoisting gear type E-F
14	VT0001911	Motor, 208/230 60 Hz, P - Mechanical limit switch, Without overload device, Strain gauge, Hoisting gear type E-F
14	VT0001915	Motor, 208/230 60 Hz, P - Mechanical limit switch, Without overload device, Strain gauge, Hoisting gear type G-H-J
14	VT0002136	Motor, 220/240 50 Hz, P - Mechanical limit switch, Hoist power measurement, Hoisting gear type E-F
14	VT0002132	Motor, 220/240 50 Hz, P - Mechanical limit switch, Hoist power measurement, Hoisting gear type G-H-J
14	VT0001710	Motor, 220/240 50 Hz, P - Mechanical limit switch, Without overload device, Strain gauge, Hoisting gear type E, F
14	VT0001914	Motor, 220/240 50 Hz, P - Mechanical limit switch, Without overload device, Strain gauge, Hoisting gear type G-H-J
14	VT0002137	Motor, 380/415 50 Hz 440/480 60 Hz, P - Mechanical limit switch, Hoist power measurement, Hoisting gear type E-F
14	VT0002133	Motor, 380/415 50 Hz - 440/480 60Hz, P - Mechanical limit switch, Hoist power measurement, Hoisting gear type G-H-J
14	VT0001913	Motor, 380/415 50 Hz - 440/480 60 Hz, P - Mechanical limit switch Without overload device, Strain gauge, Hoisting gear type G-H-J
14	VT0001709	Motor, 380/415 50 Hz - 440/480 60 Hz, P - Mechanical limit switch Without overload device, Strain gauge, Hoisting gear type E, F
14	VT0002134	Motor, 500/525 50Hz 550/600 60Hz, P - Mechanical limit switch Hoist power measurement, Hoisting gear type E-F
14	VT0001916	Motor, 500/525 50 Hz - 550-600 60 Hz, P - Mechanical limit switch Without overload device, Strain gauge
14	VT0001711	Motor, 500/525 50 Hz - 550-600 60 Hz, P - Mechanical limit switch Without overload device, Strain gauge, Hoisting gear type E-F

4.3) HOIST MOTOR SIZE: 8, 9, A



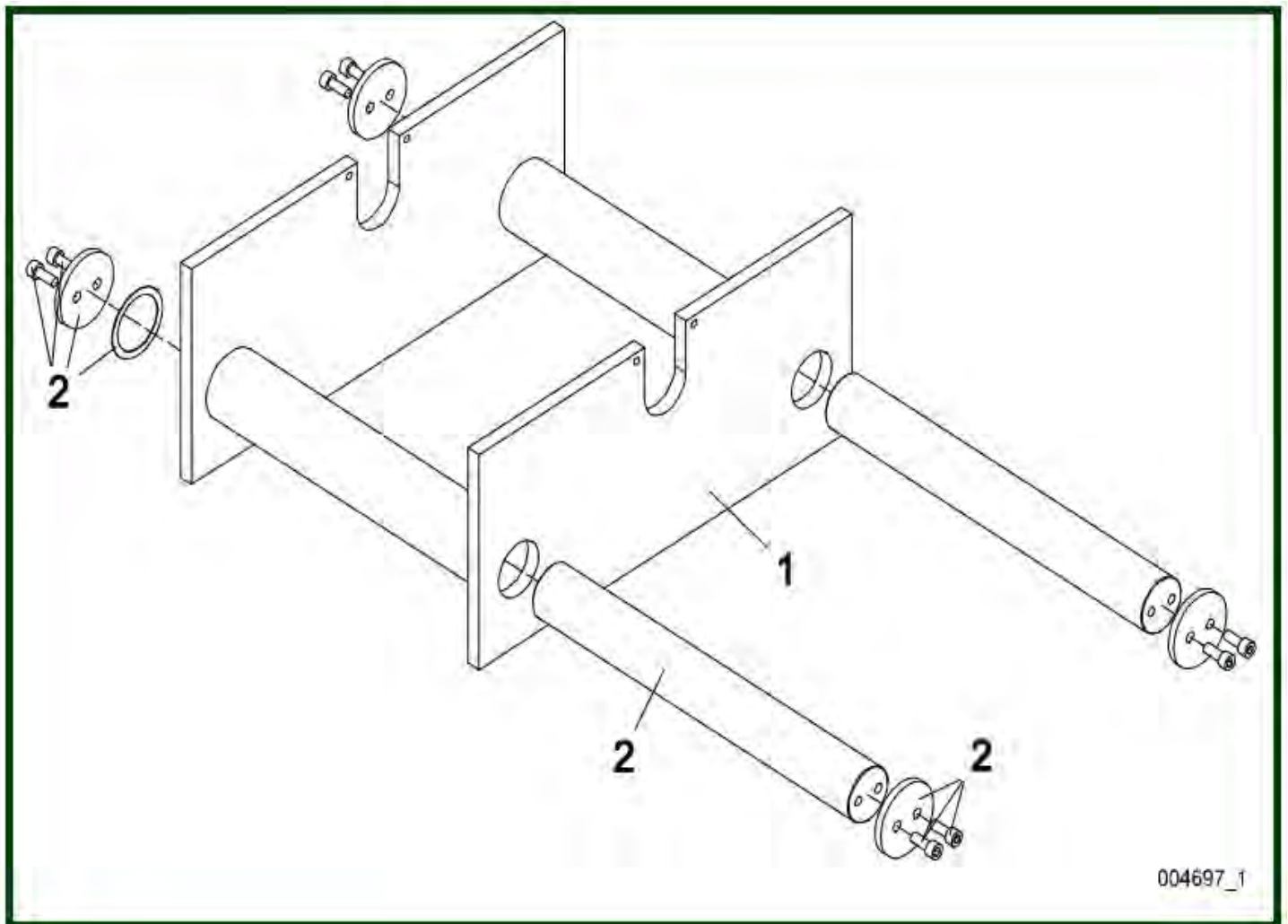
When ordering motors please specify motor serial number
 Lors de la commande d'un moteur veuillez indiquer le n° de série

ITEM	REFERENCE	DESCRIPTION
1	VT0000219	Grating set, VT0000103
2	VT0001228	Cover
2	VT0000220	Cover, VT0000104
3	VT0000105	Fan
4	VT0001967	Support
4	VT0000106	Support
5	VT0001971	1: Voltage 1(main) = 200-240, BRAKE
5	VT0001968	1: Voltage 1(main) = 380-480, BRAKE
5	VT0001969	1: Voltage 1(main) = 500-560, BRAKE
5	VT0001970	1: Voltage 1(main) = 660-690, BRAKE
6	VT0001765	Screw
6	VT0001764	Screw
7	VT0000129	Brake disk
8	VT0000131	Flange
9	VT0001972	Shaft Assembly

9	VT0001910	Shaft assembly, Hoist motor type P, Hoisting gear type G, H, J
9	VT0001909	Shaft assembly, Hoist motor type T, Hoisting gear type G, H, J
10	VT0000116	Bearing, Hoist motor type P
10	VT0000117	Bearing, Hoist motor type T
12	VT0000119	Flange
13	VT0000631	Plug
14	VT0001977	Motor
14	VT0001978	Motor
14	VT0001979	Motor
14	VT0001976	Motor
14	VT0001973	Motor
14	VT0001974	Motor
14	VT0001975	Motor

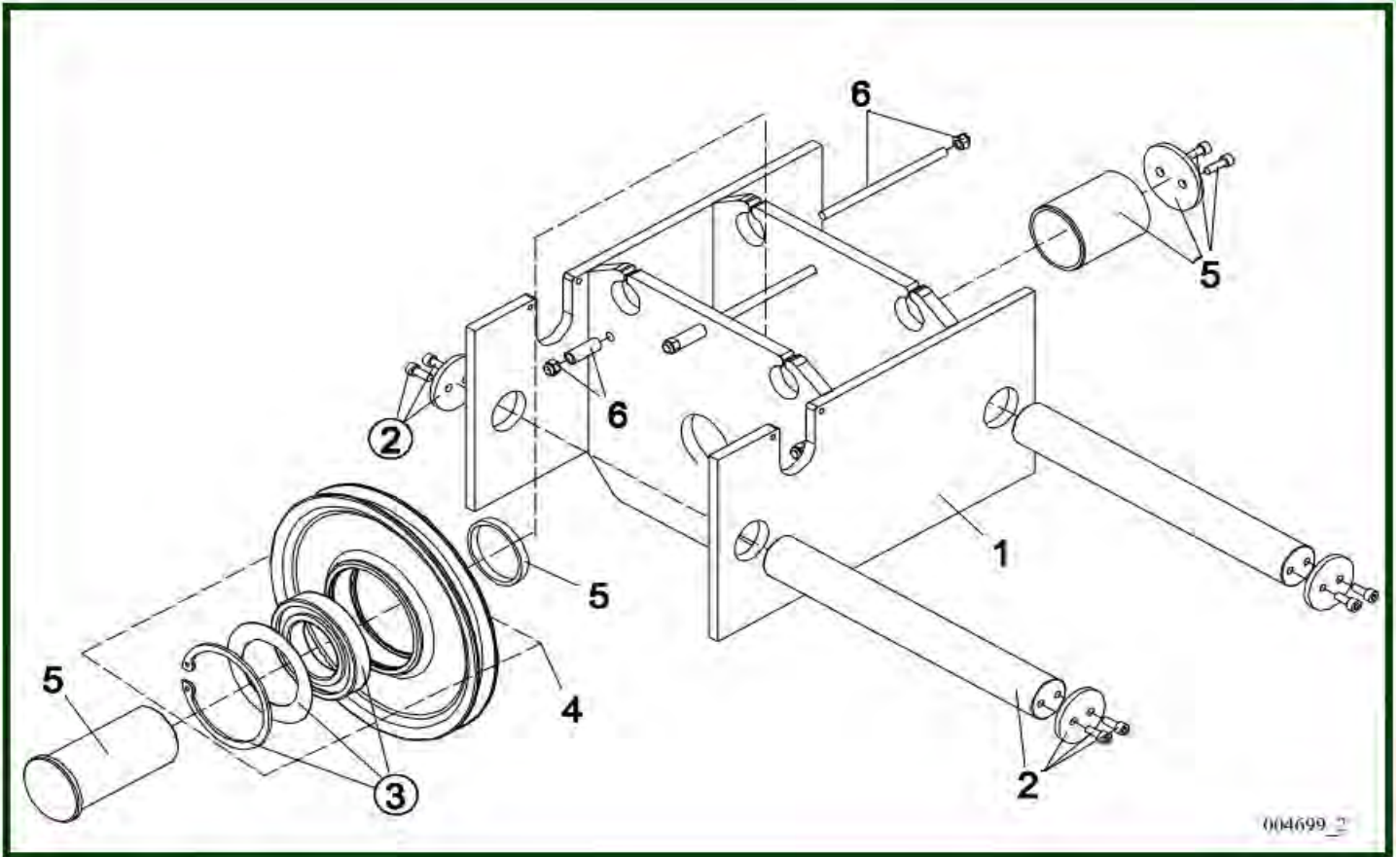
5) ROPE SHEAVE - HOIST SIDE

5.1) ROPE REEVING CODE 02



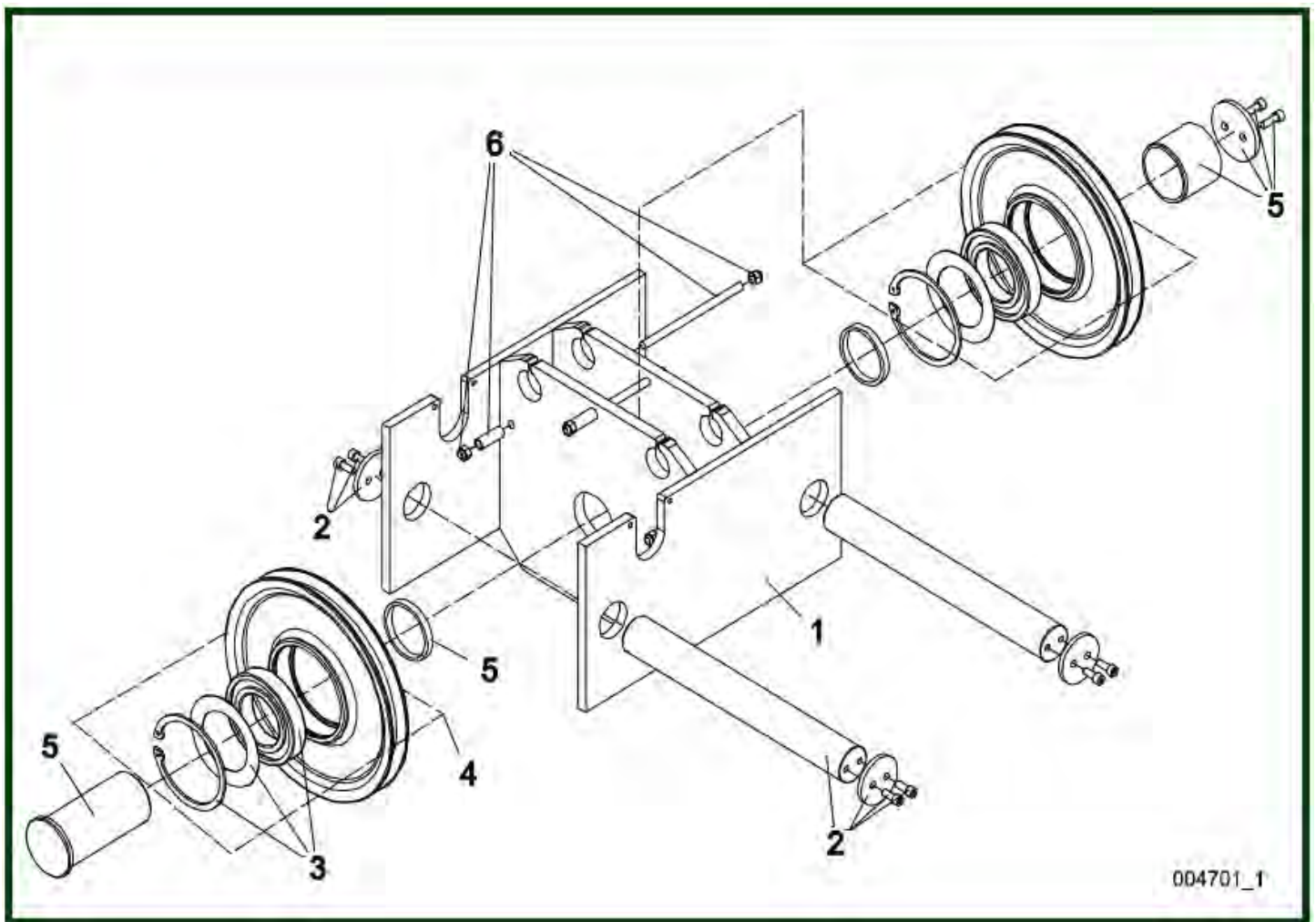
ITEM	REFERENCE	DESCRIPTION
1	VT0001093	Plate, Support plate
2	VT0003198	Shaft set, From HFY30526
2	VT0002676	Shaft set, To HFY30525 (VT0001094)

5.2) ROPE REEVING CODE 04



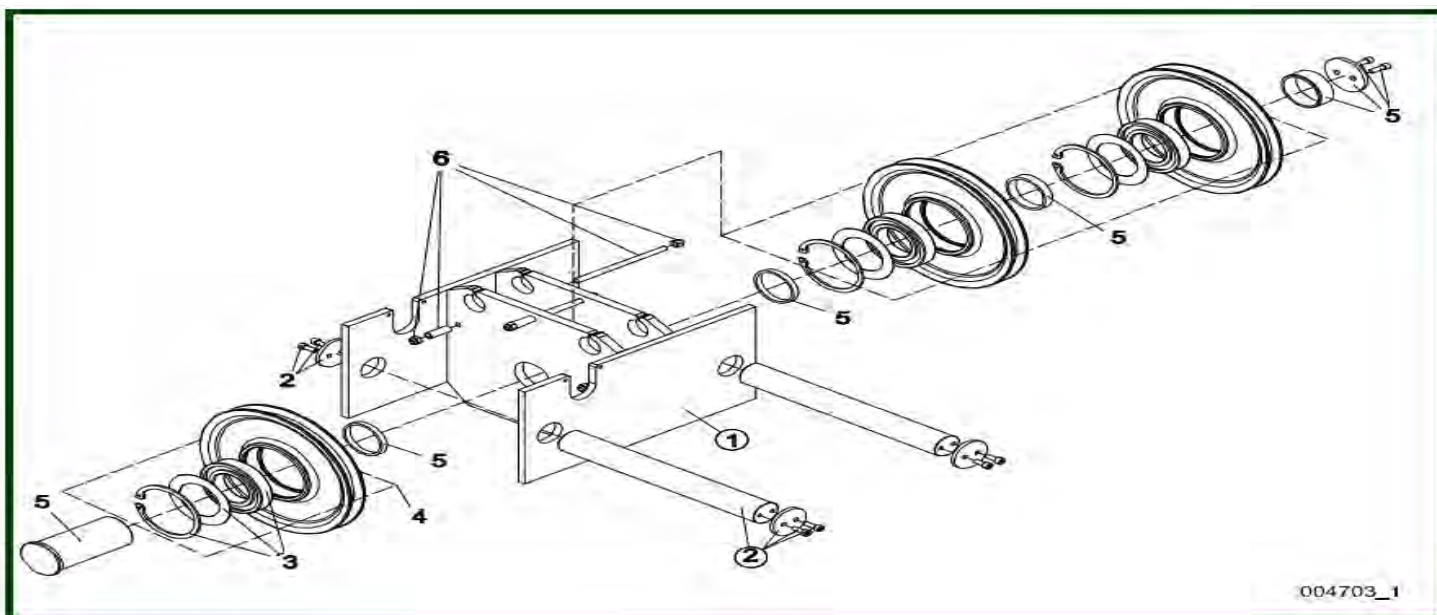
ITEM	REFERENCE	DESCRIPTION
1	VT0002456	Plate; Support plate, To H0421028, Reeving system 04-06-08
1	VT0002473	Sheave support, From H421029, Reeving system 04-06-08
2	VT0003197	Shaft set, From HFY30526
2	VT0002677	Shaft set, To HFY30525 (VT0001097), Reeving system 04-06-08
3	VT0001015	Bearings set, Reeving system 02-04-06-08-10
4	VT0001010	Sheave, rope sheave
5	VT0002477	Shaft set, From H0421029, Reeving system 04
5	VT0001095	Shaft set, To H4201028, Reeving system 04
6	VT0002480	Screw rod, From H042129, Reeving system 04-06-08
6	VT0001124	Screw rod, To H042128

5.3) ROPE REEVING CODE 06



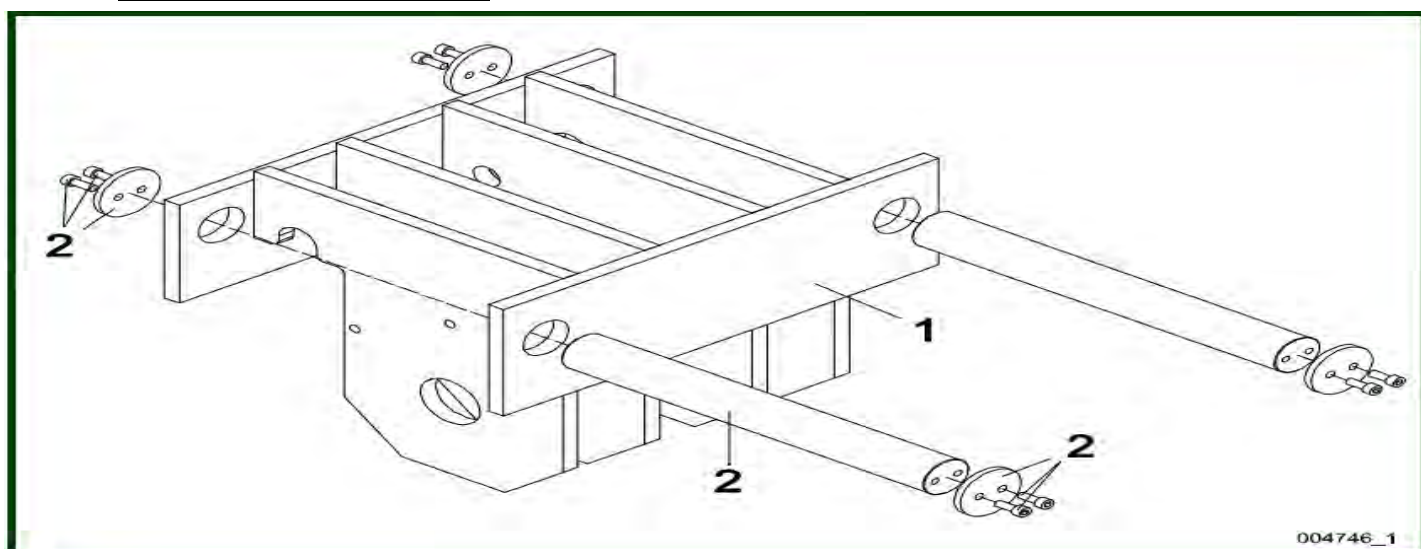
ITEM	REFERENCE	DESCRIPTION
1	VT0002456	Plate; Support plate, To H0421028, Reeving system 04-06-08
1	VT0002473	Sheave support, From H421029, Reeving system 04-06-08
2	VT0003197	Shaft set, From HFY30526
2	VT0002677	Shaft set, To HFY30525 (VT0001097), Reeving system 04-06-08
3	VT0001015	Bearings set, Reeving system 02-04-06-08-10
4	VT0001010	Sheave; rope sheave
5	VT0002478	Shaft set, From H0421029, Reeving system 06
5	VT0001096	Shaft set, To H4201028, Reeving system 06
6	VT0002480	Screw rod, From H042129, Reeving system 04-06-08
6	VT0001124	Screw rod, To H042128

5.4) ROPE REEVING CODE 08



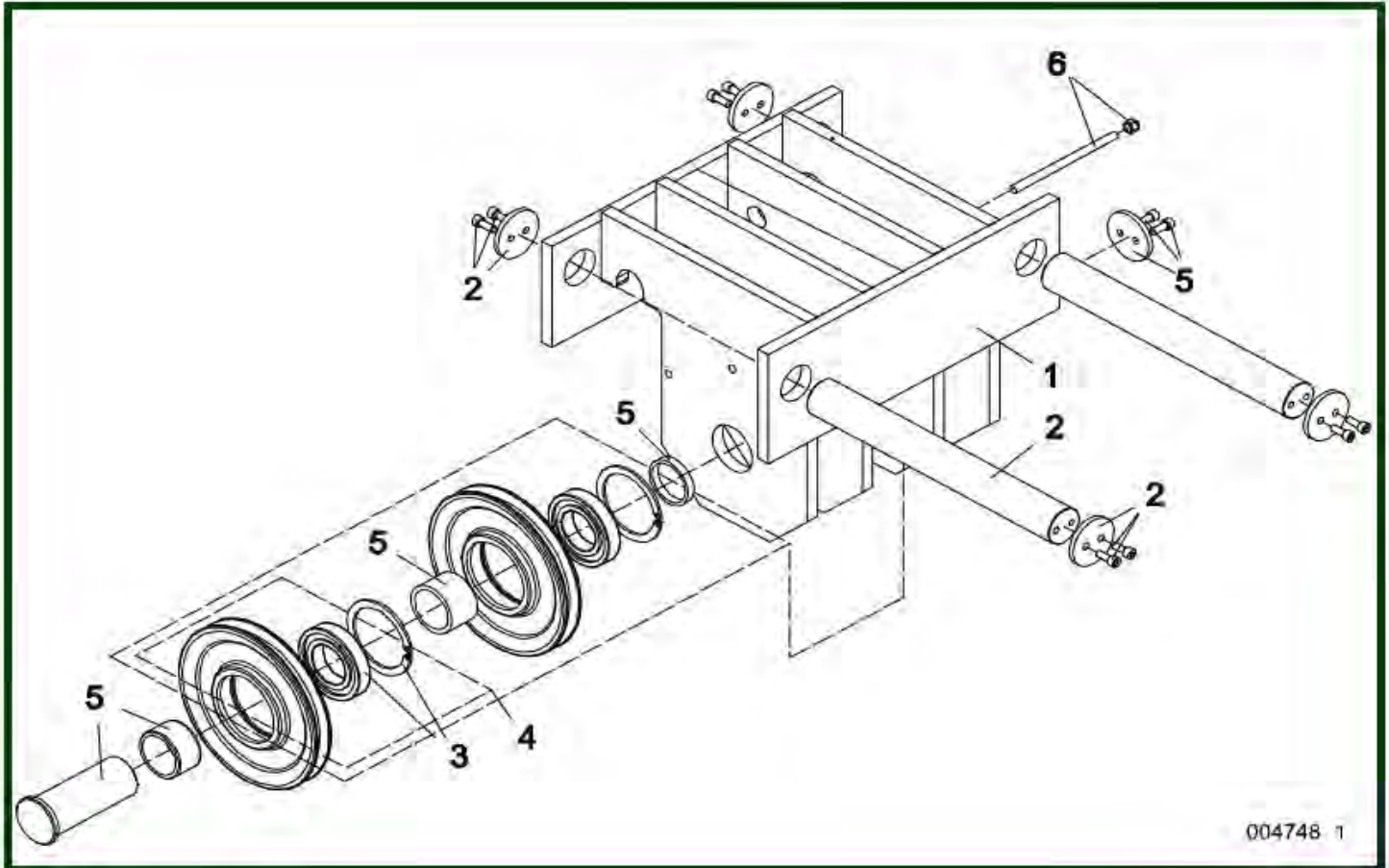
ITEM	REFERENCE	DESCRIPTION
1	VT0002456	Plate; Support plate, To H0421028, Reeving system 04-06-08
1	VT0002473	Sheave support, From H421029, Reeving system 04-06-08
2	VT0003197	Shaft set, From HFY30526
2	VT0002677	Shaft set, To HFY30525 (VT0001097), Reeving system 04-06-08
3	VT0001015	Bearings set, Reeving system 02-04-06-08-10
4	VT0001010	Sheave, rope sheave
5	VT0002479	Shaft set, From H0421029, Reeving system 08
5	VT0001098	Shaft set, To H4201028, Reeving system 08
6	VT0002480	Screw rod, From H042129, Reeving system 04-06-08
6	VT0001124	Screw rod, To H042128

5.5) ROPE REEVING CODE 22



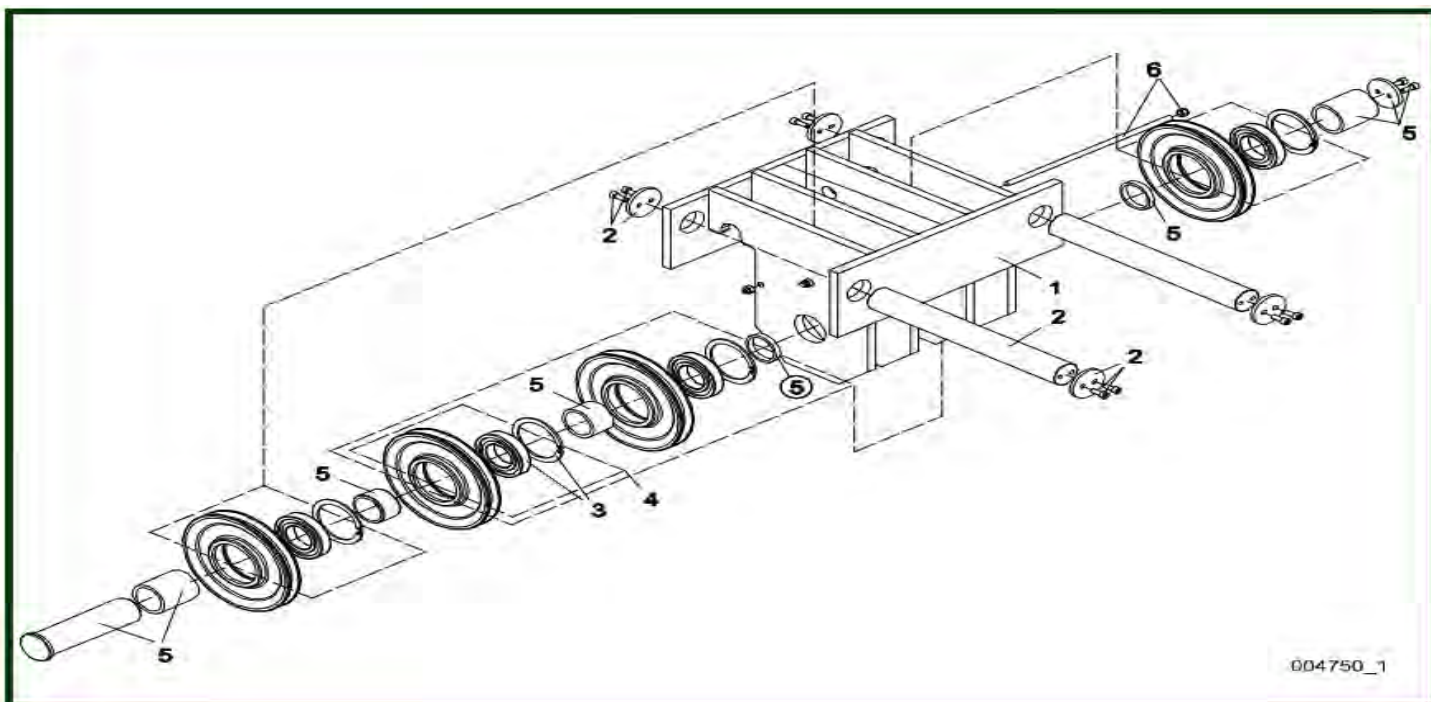
ITEM	REFERENCE	DESCRIPTION
1	VT0002364	Sheave support, Reeving system 22-24
2	VT0003197	Shaft set, From HFY30526
2	VT0002676	Shaft set, To HFY30525 (VT0001094)

5.6) ROPE REEVING CODE 24



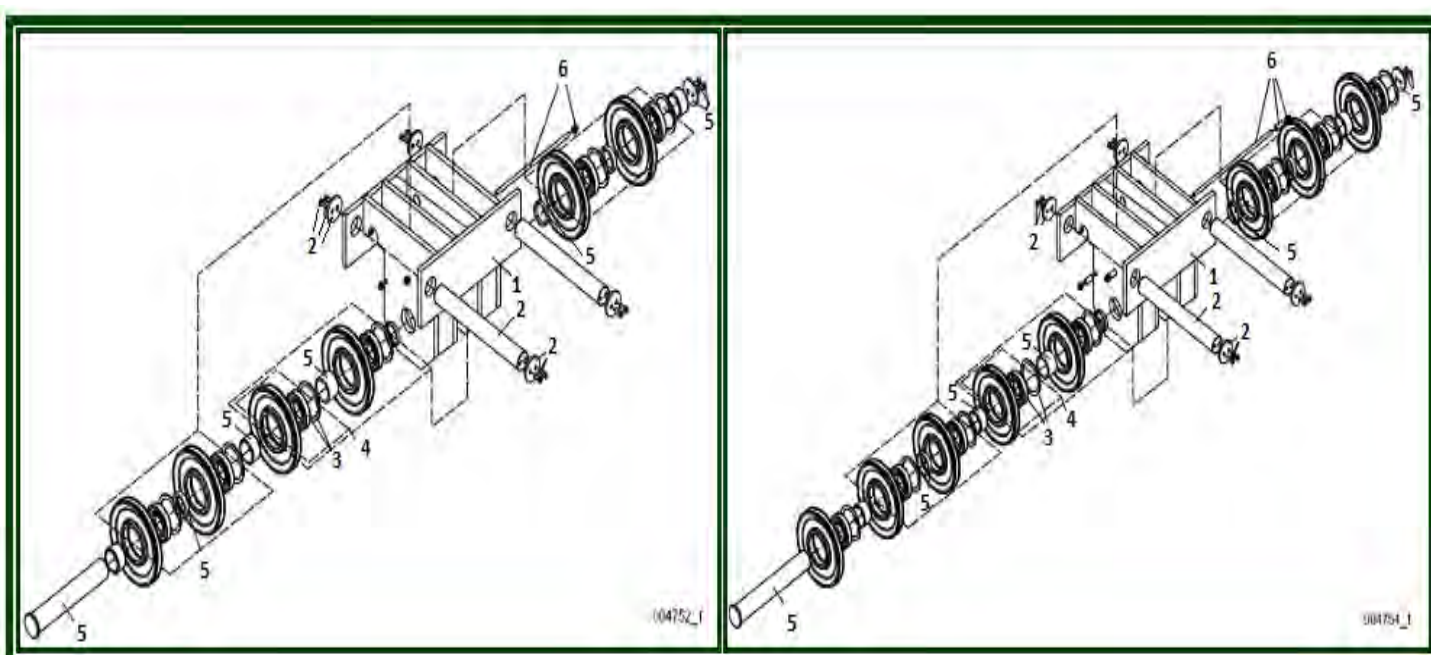
ITEM	REFERENCE	DESCRIPTION
1	VT0002364	Sheave support, Reeving system 22-24
2	VT0003197	Shaft set, From HFY30526
2	VT0002676	Shaft set, To HFY30525 (VT0001094)
3	VT0000689	Bearings set
4	VT0000875	Sheave; rope sheave, (VT0000685) - (VT0000269) - (VT0000684) - (VT0000690)
5	VT0001118	Shaft set, Reeving system 24
6	VT0002536	Screw rod, Reeving system 24

5.7) ROPE REEVING CODE 26



ITEM	REFERENCE	DESCRIPTION
1	VT0001117	Sheave support, Reeving system 26-28
2	VT0003197	Shaft set, From HFY30526
2	VT0002676	Shaft set, To HFY30525 (VT0001094)
3	VT0000689	Bearings set
4	VT0000875	Sheave; rope sheave, (VT0000685) - (VT0000269) - (VT0000684) - (VT0000690)
5	VT0002471	Shaft set, (VT0001119), Reeving system 26
6	VT0002537	Screw rod, Reeving system 26-28

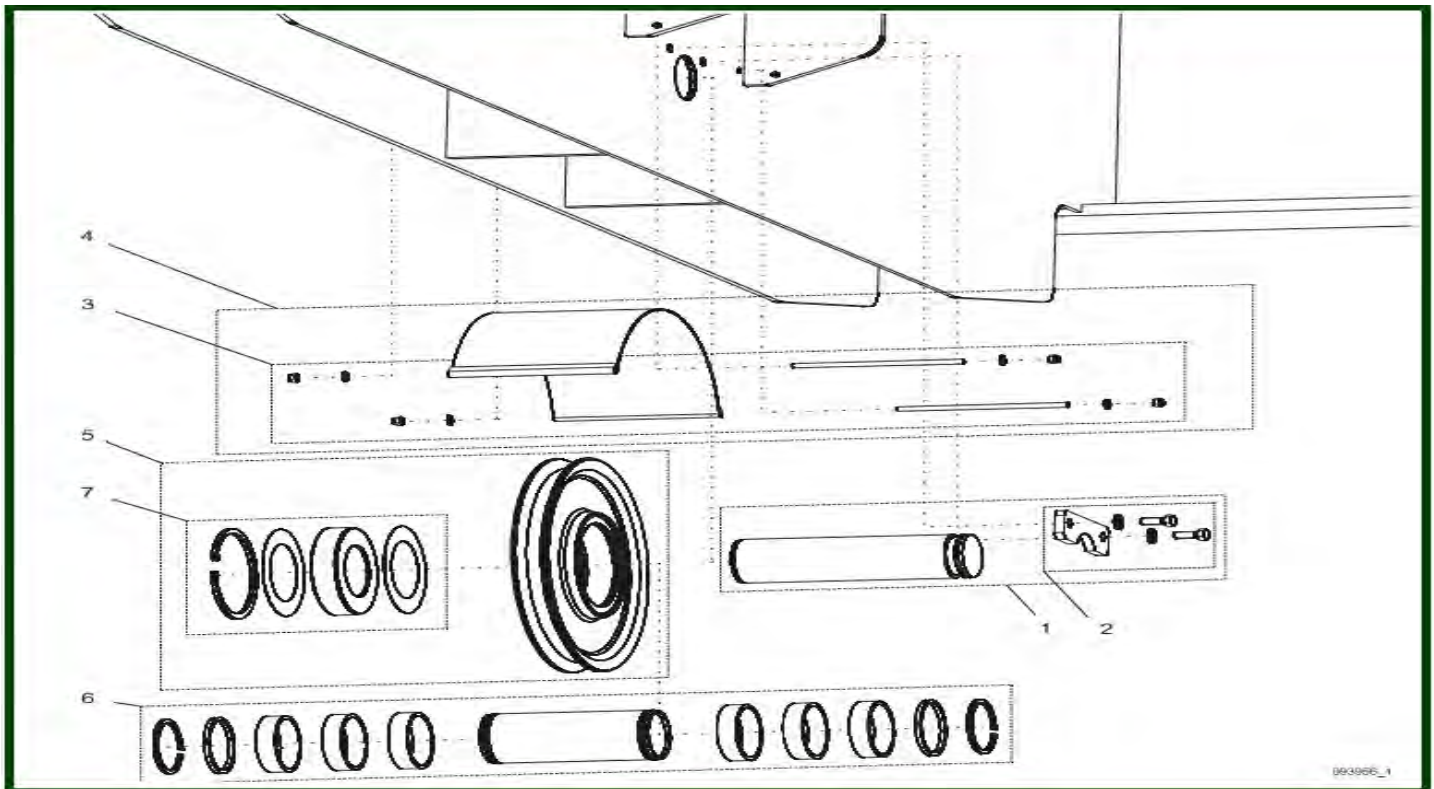
5.8) ROPE REEVING CODE 28



ITEM	REFERENCE	DESCRIPTION
1	VT0001117	Sheave support, Reeing system 26-28
2	VT0003197	Shaft set, From HFY30526
2	VT0002676	Shaft set To HFY30525 (VT0001094)
3	VT0000689	Bearings set
4	VT0000875	Sheave; rope sheave, (VT0000685) - (VT0000269) - (VT0000684) - (VT0000690)
5	VT0001120	Shaft set, Reeing system 28
6	VT0002537	Screw rod, Reeing system 26-28

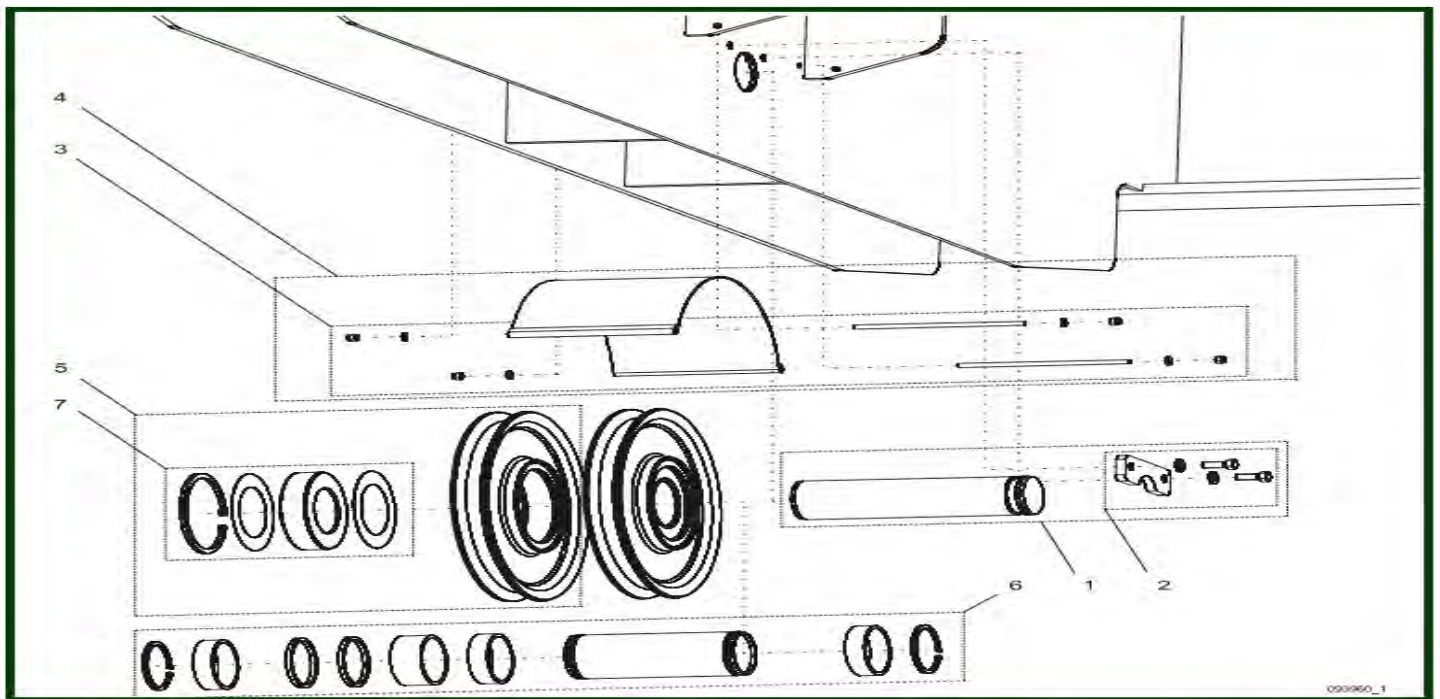
6) ROPE SHEAVE - TROLLEY SIDE

6.1) REEVING SYSTEM 04



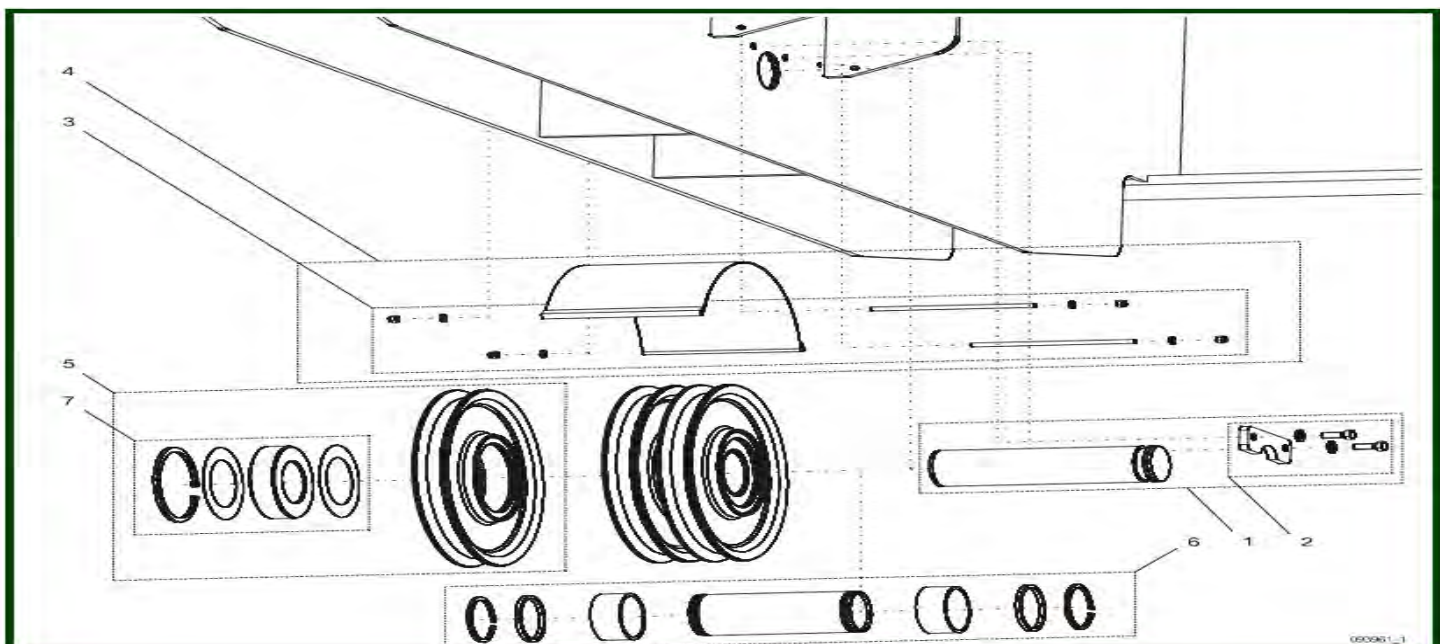
ITEM	REFERENCE	DESCRIPTION
1	VT0004185	Shaft set
2	VT0004186	Locking set
3	VT0004189	Fixing set
4	VT0004188	Cover set
5	VT0004266	Rope pulley
6	VT0004190	Sleeve set
7	VT0001015	Bearings set, Reeing system 02-04-06-08-10

6.2) REEVING SYSTEM 06



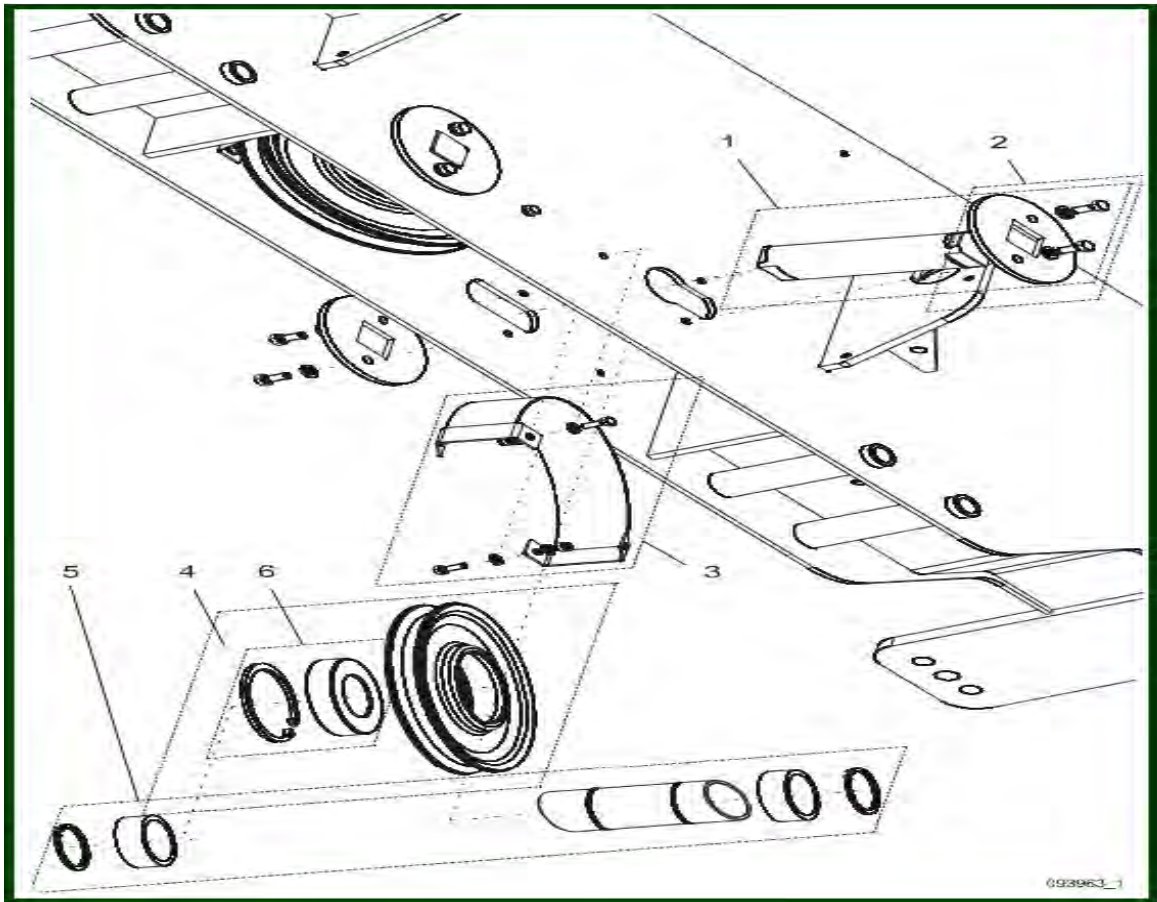
ITEM	REFERENCE	DESCRIPTION
1	VT0004185	Shaft set
2	VT0004186	Locking set
3	VT0004191	Fixing set
4	VT0004188	Cover set
5	VT0001010	Sheave; rope sheave
6	VT0004192	Sleeve set
7	VT0001015	Bearings set, Reeving system 02-04-06-08-10

6.3) REEVING SYSTEM 08



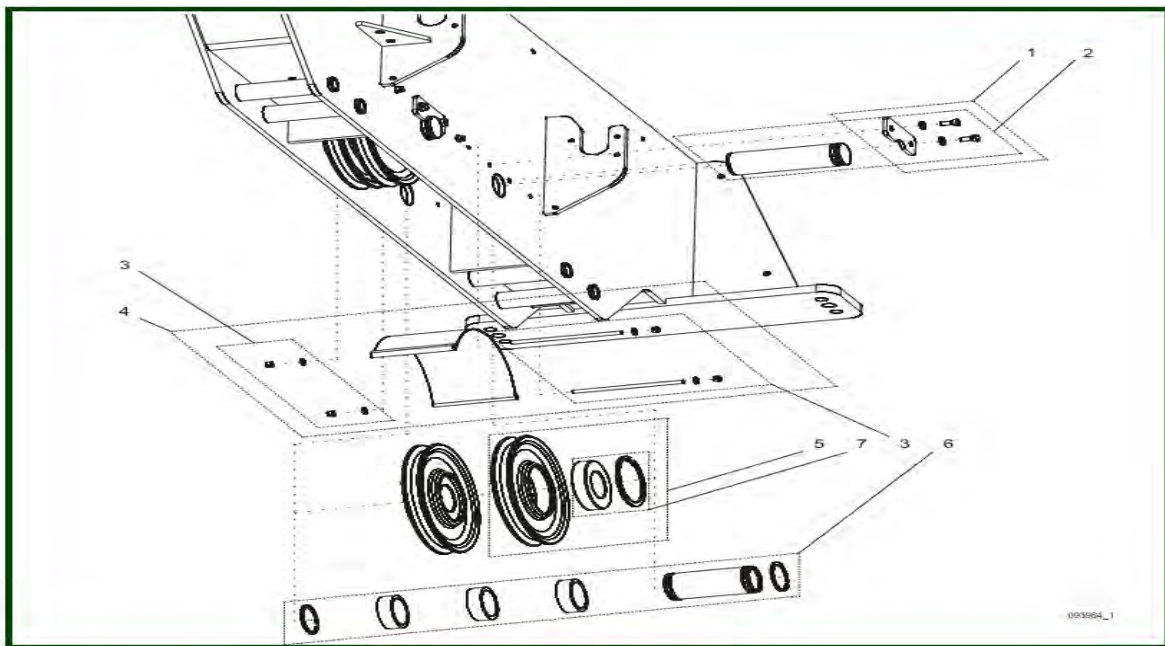
ITEM	REFERENCE	DESCRIPTION
1	VT0004185	Shaft set
2	VT0004186	Locking set
3	VT0004189	Fixing set
4	VT0004188	Cover set
5	VT0001010	Sheave, rope sheave
6	VT0004193	Sleeve set
7	VT0001015	Bearing set, Reeving system 02-04-06-08-10

6.4) REEVING SYSTEM 24



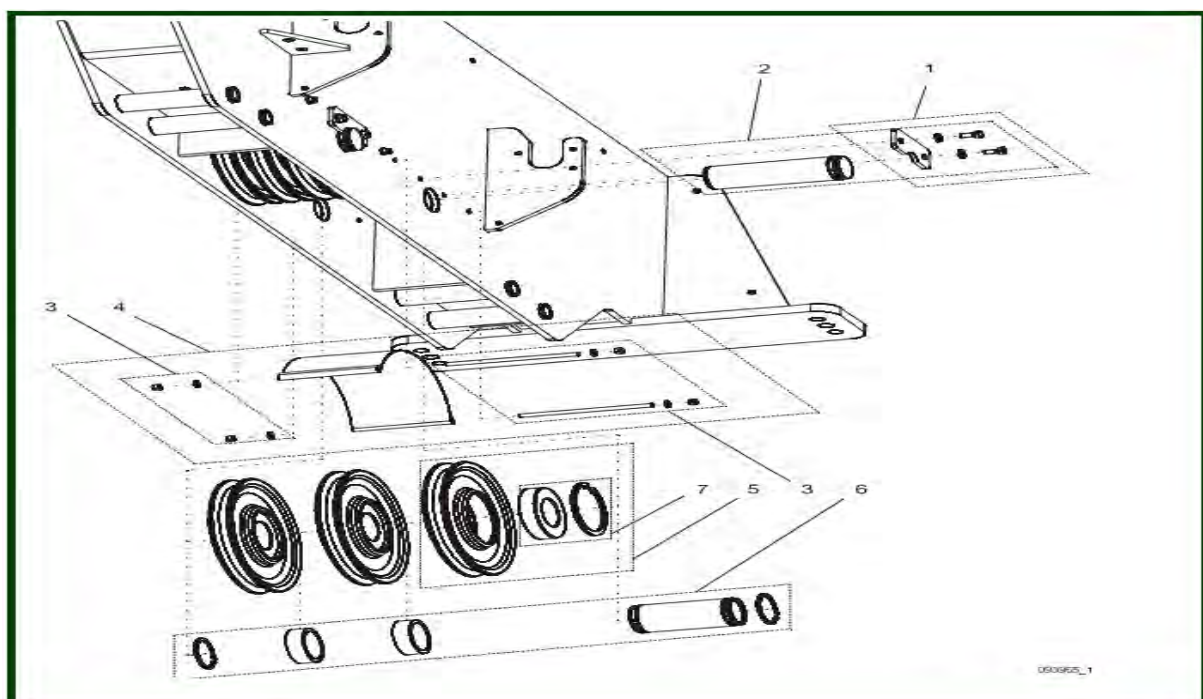
ITEM	REFERENCE	DESCRIPTION
1	VT0004194	Shaft set
2	VT0004195	Locking set
3	VT0004196	Cover set
4	VT0000875	Sheave; rope sheave, (VT0000685) - (VT0000269) - (VT0000684) - (VT0000690)
5	VT0004197	Sleeve set
6	VT0000689	Bearing set

6.5) REEVING SYSTEM 26



ITEM	REFERENCE	DESCRIPTION
1	VT0004199	Locking set
2	VT0004198	Shaft set
3	VT0004200	Fixing set
4	VT0004201	Cover set
5	VT0000875	Sheave; rope sheave, (VT0000685) - (VT0000269) - (VT0000684) - (VT0000690)
6	VT0004202	Sleeve set
7	VT0000689	Bearing set

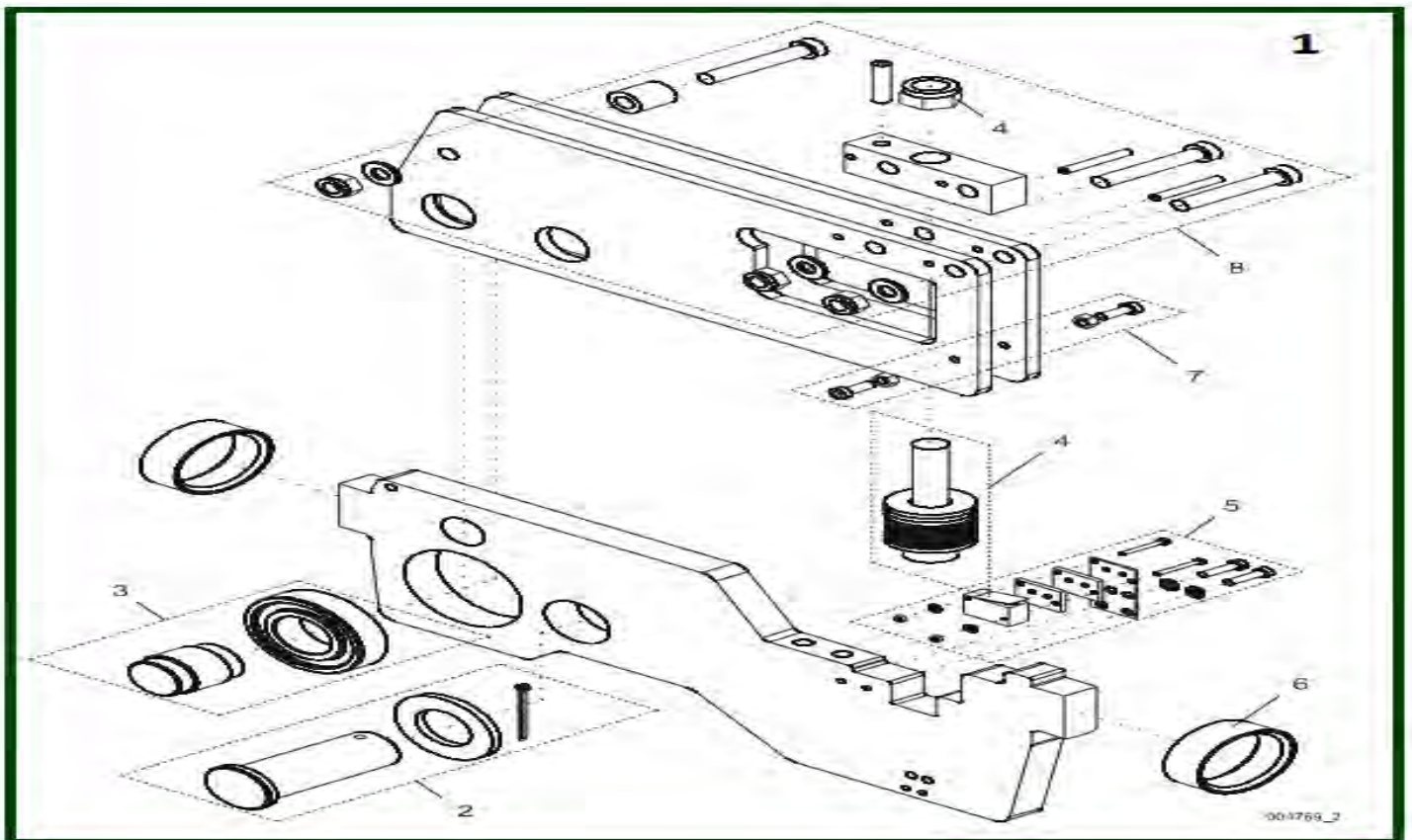
6.6) REEVING SYSTEM 28 - TROLLEY TYPE V



ITEM	REFERENCE	DESCRIPTION
1	VT0004199	Locking set
2	VT0004198	Shaft set
3	VT0004200	Fixing set
4	VT0004201	Cover set
5	VT0000875	Sheave, rope sheave, (VT0000685) - (VT0000269) - (VT0000684) -(VT0000690)
6	VT0004202	Sleeve set
7	VT0000689	Bearing set

7) OVERLOAD DEVICE - BEFORE 2011

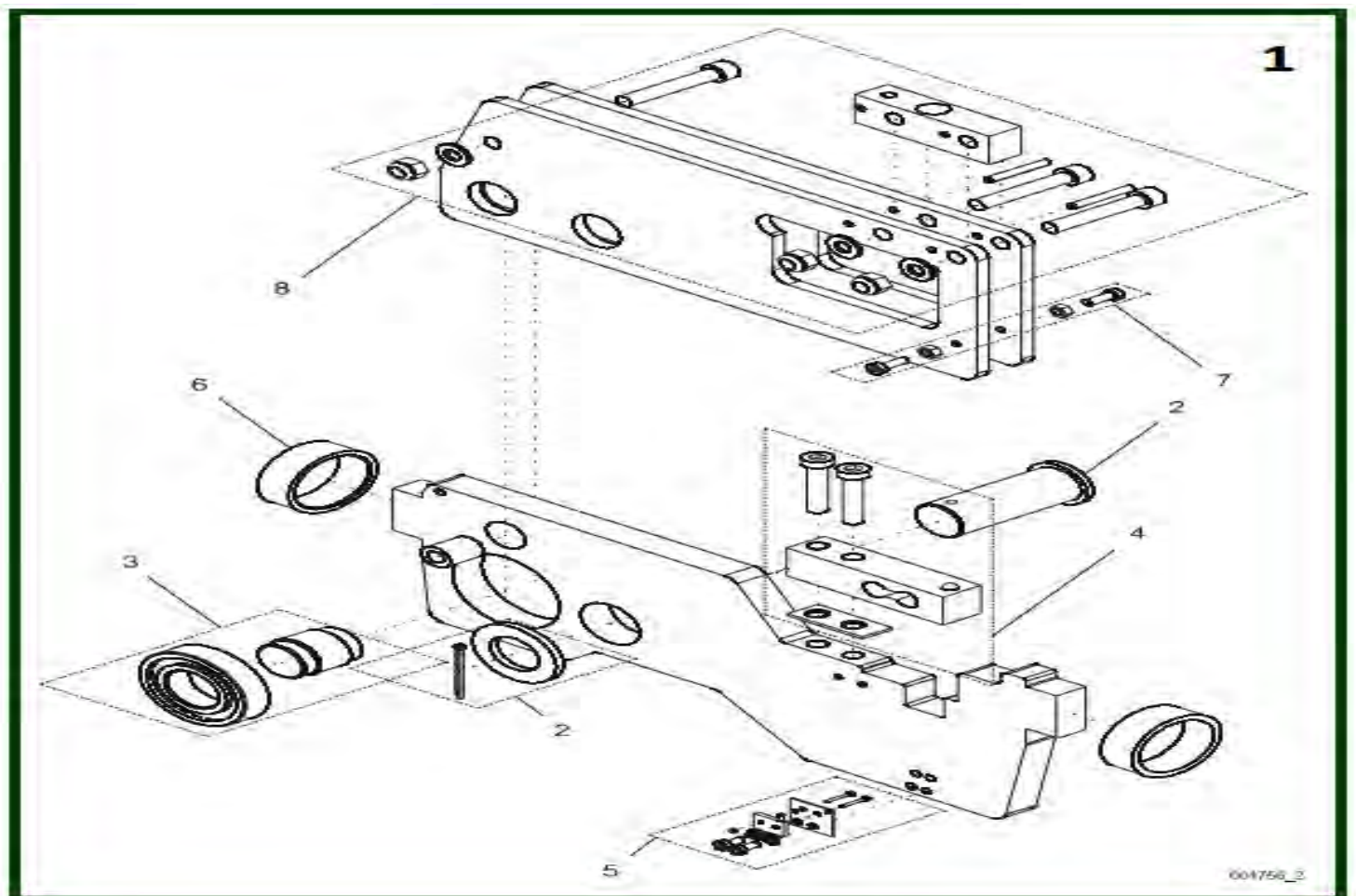
7.1) MECHANICAL LIMIT SWITCH - MECHANICAL LIMIT SWITCH & HOIST POWER MEASUREMENT - ROPE REEVING 02-04-06-08-10



ITEM	REFERENCE	DESCRIPTION
1	VT0002693	Overload device, 02: 3150 to 6249 Kg, 04: 6300 to 11499 Kg, 06: 9450 to 18749 Kg, 08: 12600 to 24999 Kg, Hazardous areas "C1D2"- "Zone 1"- "Zone 2"
1	VT0001148	Overload device, 02: 3200 to 6299 Kg, 04: 6300 to 11499 Kg, 06: 9540 to 18750 Kg, 08: 12500 to 25000 Kg, No suitable for hazardous areas
1	VT0002692	Overload device, 02: 6250 to 10000 Kg, 04: 12500 to 20000 Kg, 06: 18750 to 30000 Kg, 08: 25000 to 40000 Kg, Hazardous areas "C1D2"- "Zone 1"- "Zone 2"

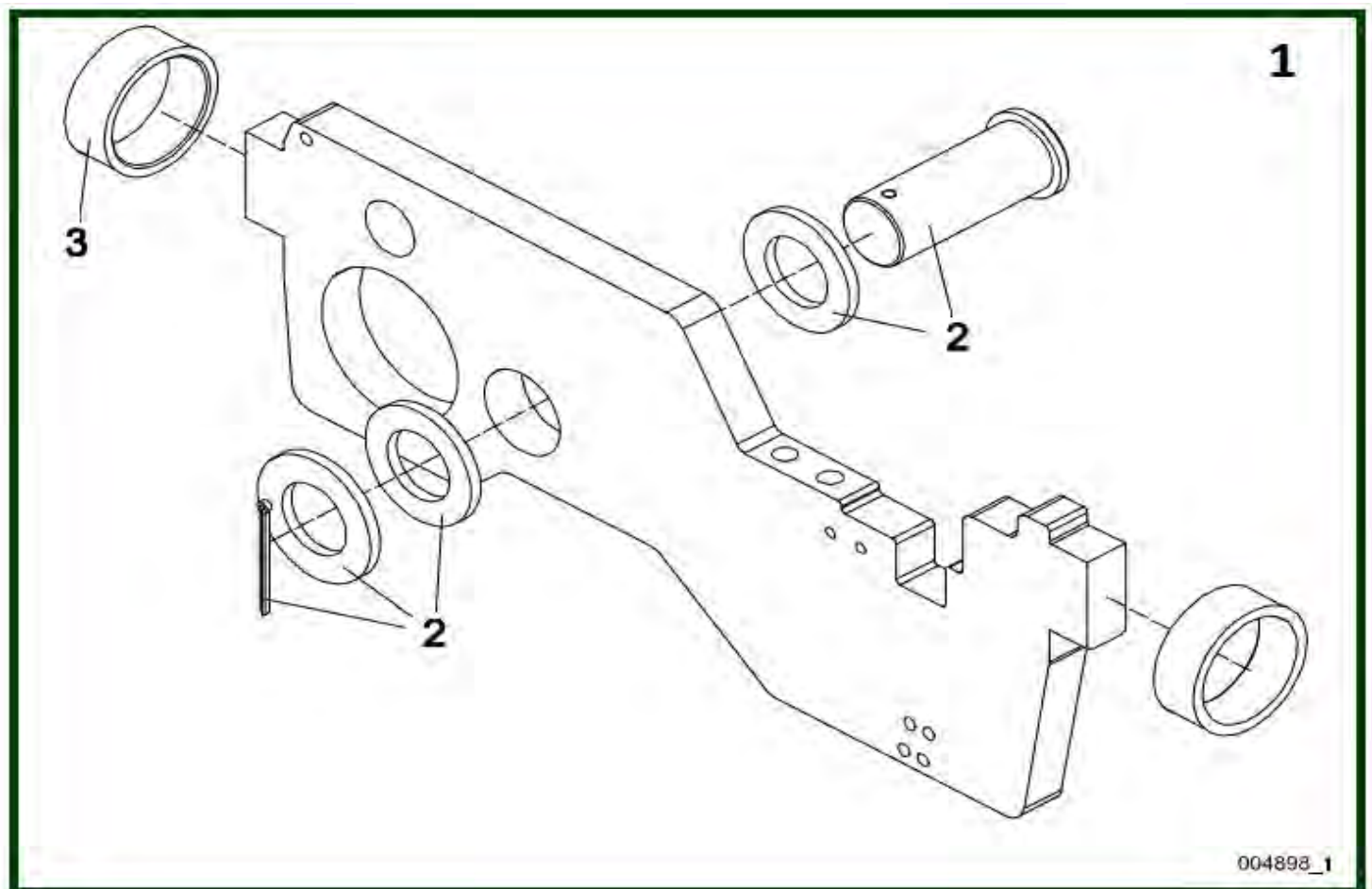
1	VT0001147	Overload device, 02: 6300 to 10000 Kg, 04: 12500 to 20000 Kg, No suitable for hazardous areas
2	VT0001139	Shaft set
3	VT0001140	Shaft set
4	VT0001150	Spring set, 02: 3200 to 6300 Kg, 04: 6300 to 12500 Kg, 06: 9450 to 18750 Kg, 08: 12500 to 25000 Kg
4	VT0001149	Spring set, 02: 6300 to 10000 Kg, 04: 12500 to 20000 Kg, 06: 18750 to 30000 Kg, 08: 25000 to 40000 Kg
5	VT0004136	Micro switch
5	VT0002695	Micro switch, Suitable for hazardous areas "C1D2"- "zone1"- "zone2"
5	VT0002236	Micro switch, No suitable for hazardous areas
7	VT0001136	Screw set
8	VT0004138	Screw set, Suitable for hazardous areas "C1D2"- "zone1"- "zone2"
8	VT0002694	Screw set, Suitable for hazardous areas "C1D2"- "zone1"- "zone2"
8	VT0004137	Screw set, From HHY54945, No suitable for hazardous areas
8	VT0001152	Screw set, To HHY54945, No suitable for hazardous areas

7.2) STRAIN GAUGE - ROPE REEVING CODE: 02-04-06-08-10



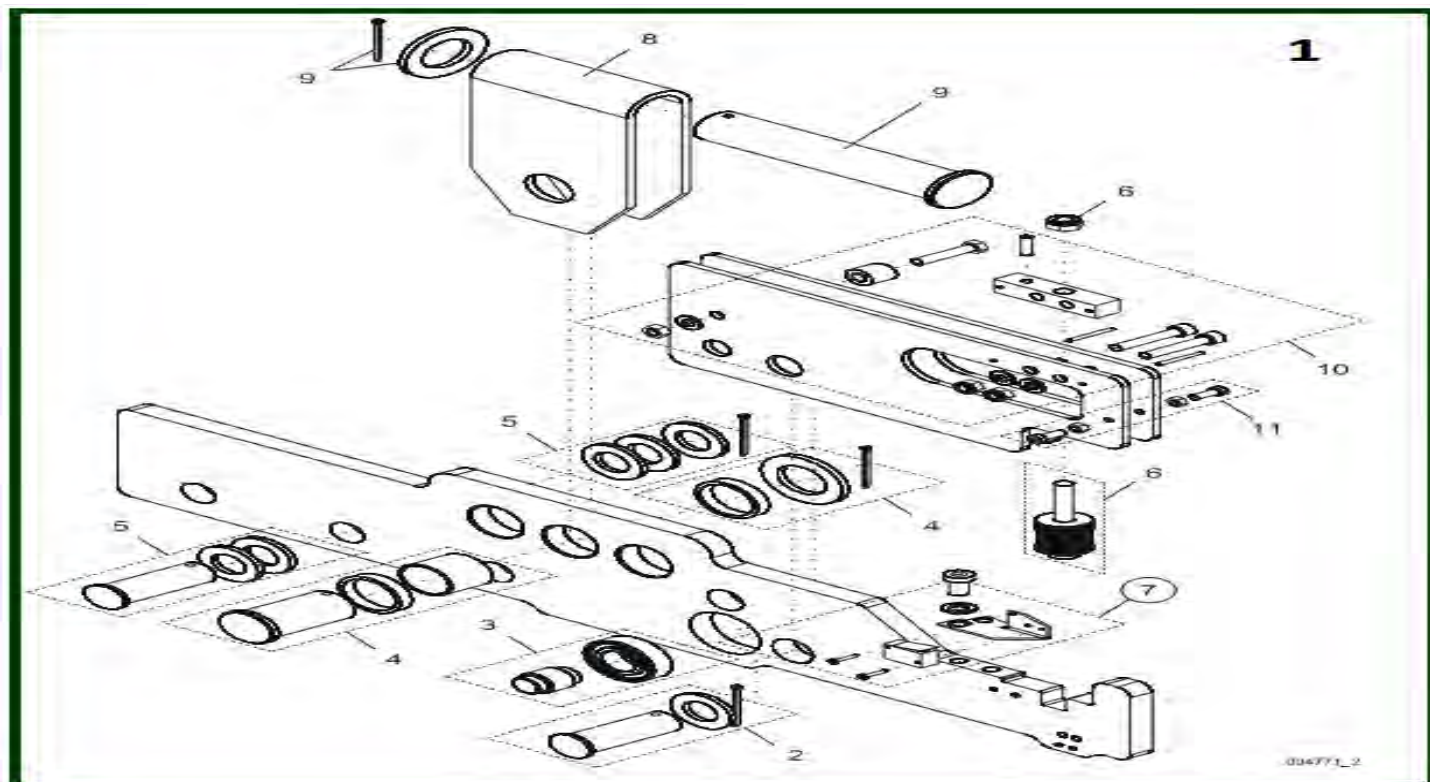
ITEM	REFERENCE	DESCRIPTION
1	VT0001137	Overload device
2	VT0001139	Shaft set
3	VT0001140	Shaft set
4	VT0003809	Sensor
4	VT0001817	Sensor, To HHY54945, (VT0000278) - (VT0001128)
5	VT0000280	Micro switch
7	VT0001136	Screw set
8	VT0003810	Fixing set, From HHY54946
8	VT0002369	Fixing set, To HHY54945

7.3) NO OVERLOAD DEVICE - HOIST POWER MEASUREMENT - ROPE REEVING CODE: 02-04-06-08-10



ITEM	REFERENCE	DESCRIPTION
1	VT0001181	Rope support
2	VT0001139	Shaft set
3	NCR	Bearing

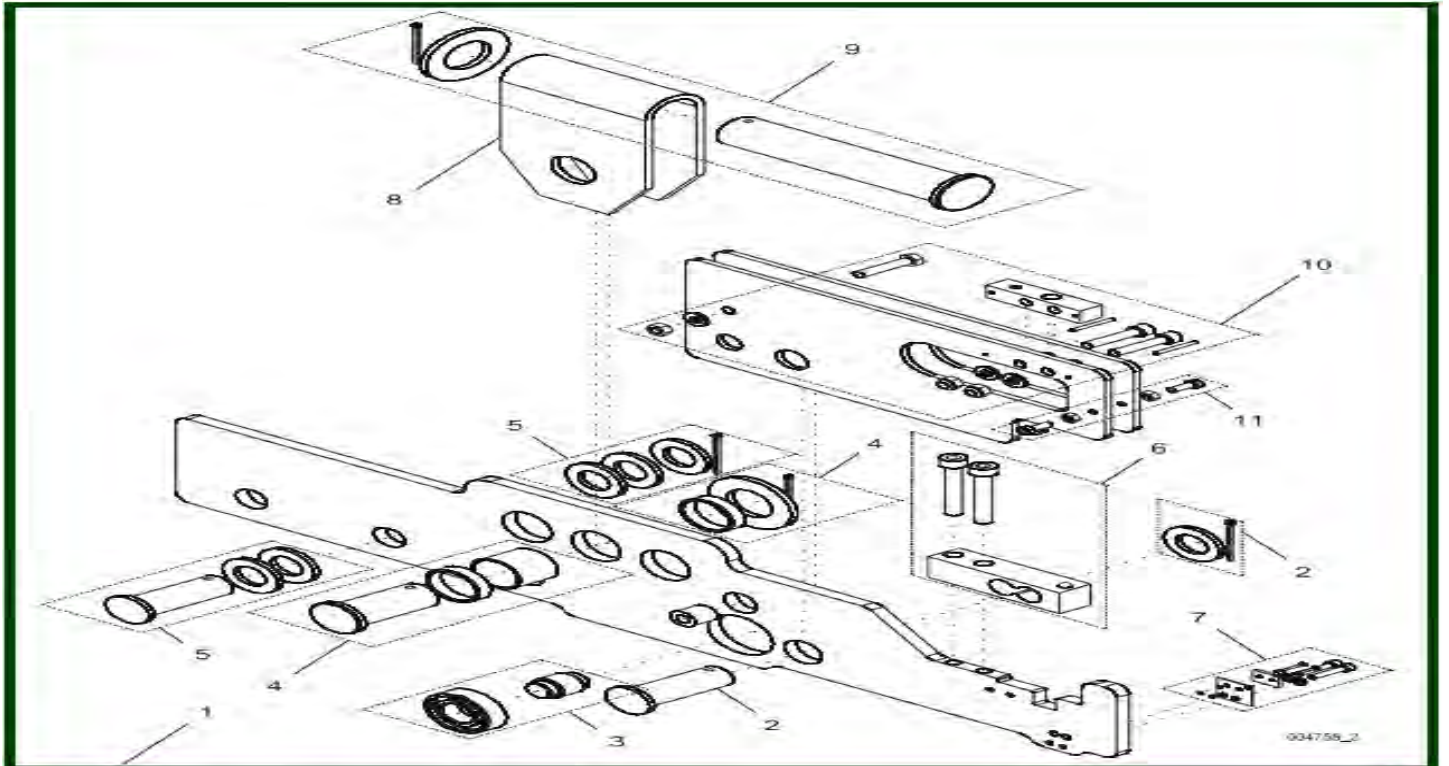
**7.4) MECHANICAL LIMIT SWITCH - MECHANICAL LIMIT SWITCH AND HOIST POWER - ROPE REEVING
CODE 20-22-24-26-28**



ITEM	REFERENCE	DESCRIPTION
1	VT0001153	Overload device, 22: 2500 to 3199 Kg, 24: 5000 to 6399 Kg, 26: 10000 to 30000 Kg, 28: 25000 to 12799 Kg
1	VT0001154	Overload device, 22: 3200 to 6299 Kg, 24: 6400 to 12599 Kg, 26: 9600 to 18899 Kg, 28: 12800 to 25199 Kg
1	VT0001713	Overload device, No suitable for hazardous areas
1	NCLDC	Overload device, To HLY81152
2	VT0000249	Shaft set
3	VT0000273	Shaft set
4	VT0001127	Shaft set, From HFY30093 to HFY30093
4	VT0002698	Shaft set, From HFY30094
6	VT0000955	Spring set, 20: 12500 to 15999, 22: 2500 to 3199 Kg, 24: 5000 to 6399 Kg, 26: 7500 to 9599 Kg, 28: 10000 to 12800 Kg
6	VT0000956	Spring set, 20: 16000 to 31499, 22: 3200 to 6299 Kg, 24: 6400 to 12599 Kg, 26: 9600 to 18899 Kg, 28: 12800 to 25200 Kg
6	VT0000957	Spring set, 20: 31500 to 62500, 22: 6300 to 12499 Kg, 24: 12600 to 25000 Kg, 26: 18900 to 37500 Kg, 28: 25200 to 50000 Kg
7	VT0002696	Micro switch, Suitable for hazardous areas "C1D2"- "zone1"- "zone2"
7	VT0001151	Micro switch, No suitable for hazardous areas
8	VT0001129	Plate, support plate

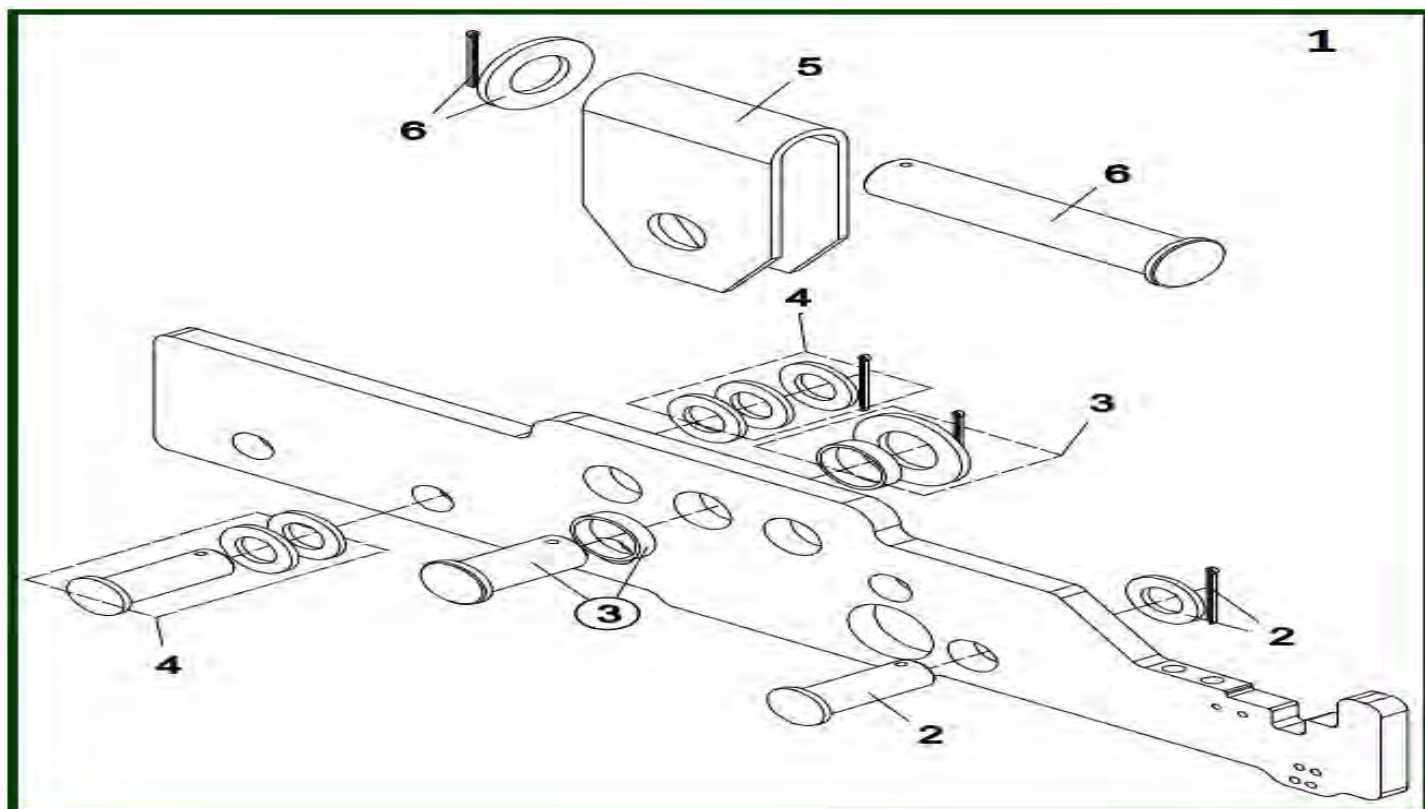
9	VT0001130	Shaft set
10	VT0004142	Fixing set
10	VT0001155	Fixing set, To HHY54945, Suitable for hazardous areas "C1D2"- "zone1"- "zone2"
10	VT0002697	Shaft set, Suitable for hazardous areas "C1D2"- "zone1"- "zone2"
11	VT0001136	Screw set

7.5) STRAIN GAUGE - ROPE REEVING CODE: 20-22-24-26-28



ITEM	REFERENCE	DESCRIPTION
1	VT0001125	Overload device
3	VT0000273	Shaft set
4	VT0001127	Shaft set, From HFY30093 to HFY30093
4	VT0002698	Shaft set, From HFY30094
5	VT0000249	Shaft set
6	VT0003748	Sensor
6	VT0001817	Sensor, To HHY54945, (VT0000278) - (VT0001128)
7	VT0000280	Micro switch
8	VT0001129	Plate; support plate
9	VT0001130	Shaft set
10	VT0001131	Trigger, To HHY54945
11	VT0001136	Screw set

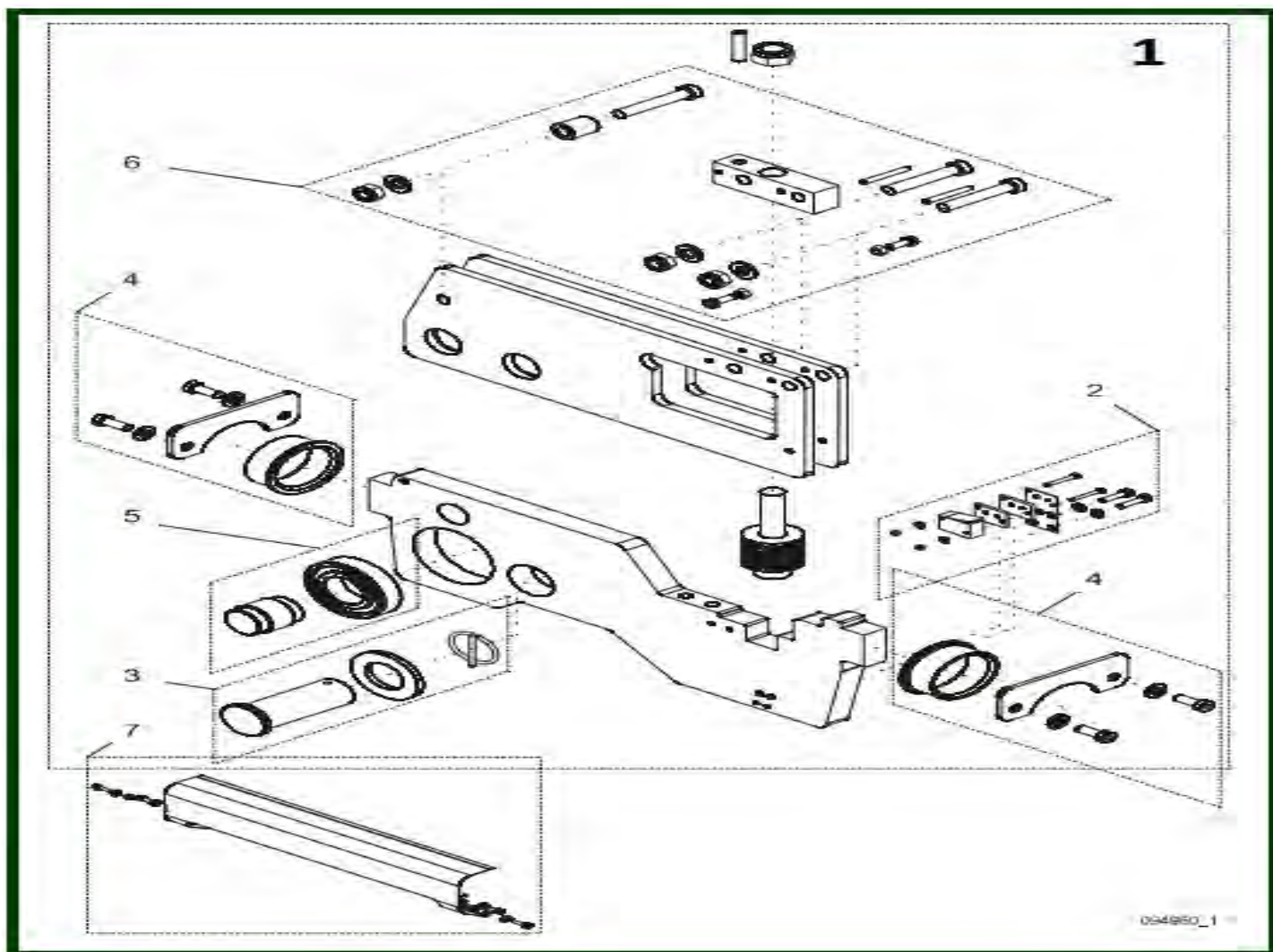
7.6) NO OVERLOAD DEVICE - HOIST POWER MEASUREMENT - ROPE REEVING CODE 20-22-24-26-28



ITEM	REFERENCE	DESCRIPTION
1	VT0001182	Rope support
3	VT0001127	Shaft set, From HFY30093 to HFY30093
3	VT0002698	Shaft set, From HFY30094
4	VT0000249	Shaft set
5	VT0001129	Plate, support plate
6	VT0001130	Shaft set

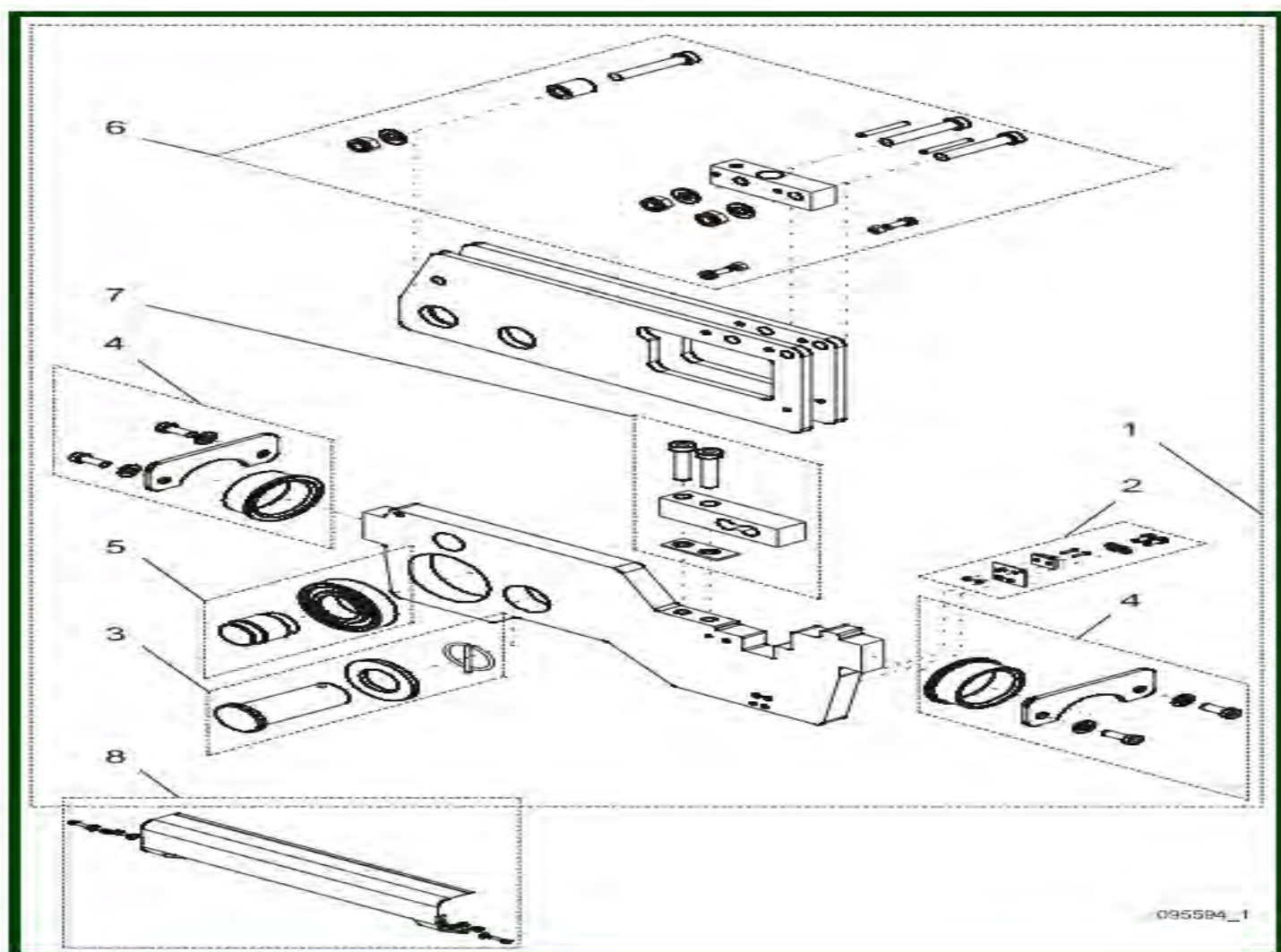
8) OVERLOAD DEVICE - AFTER 2011

8.1) MECHANICAL LIMIT SWITCH - REEVING SYSTEM 02-04-06-08



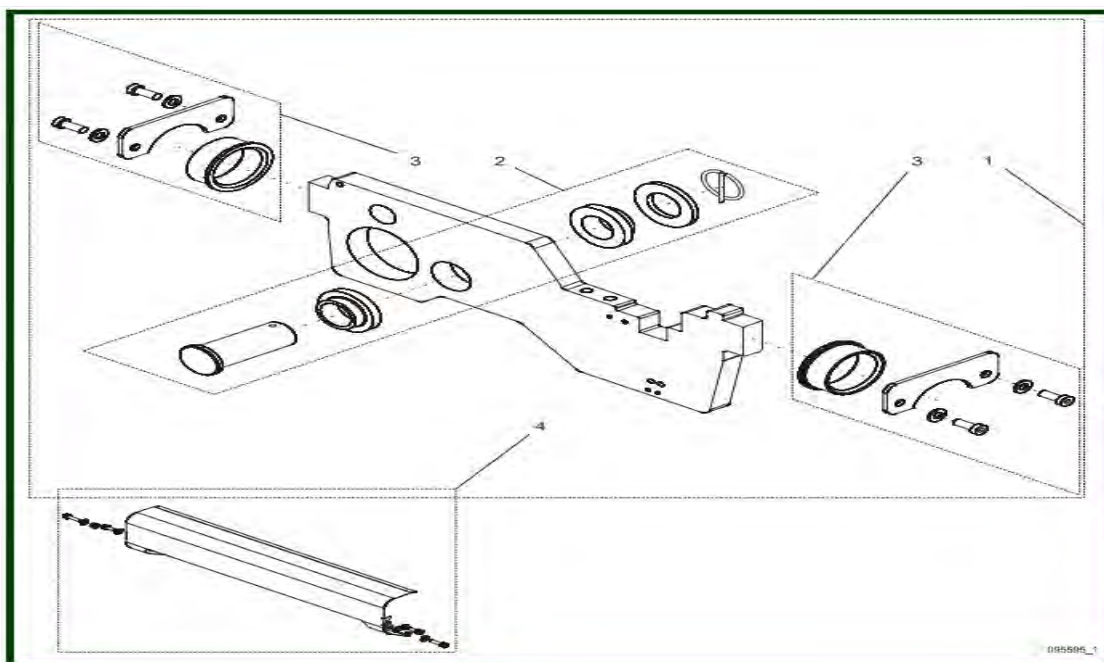
ITEM	REFERENCE	DESCRIPTION
1	VT0006302	Overload device, From HLY81153
1	NCLDC	Overload device, To HLY81152
2	VT0004263	Micro switch
3	VT0004250	Shaft set
4	VT0004251	Fixing set
5	VT0001140	Shaft set
6	VT0004137	Screw set, From HHY54945, No suitable for hazardous areas
7	VT0006303	Cover set, From HLY81153
7	VT0004252	Cover set, To HLY81152

8.2) STRAIN GAUGE - ROPE REEVING CODE: 02-04-06-08



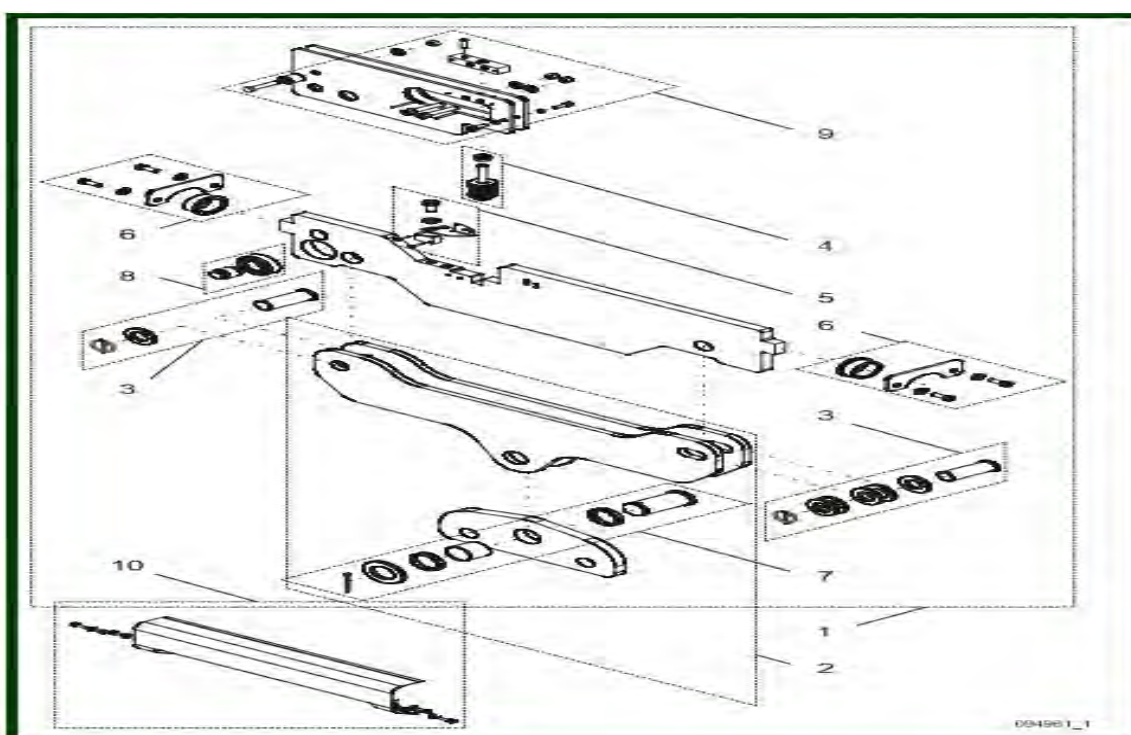
ITEM	REFERENCE	DESCRIPTION
1	NCLDC53	Overload device, From HLY81153
1	NCLDC	Overload device, To HLY81152
2	VT0000280	Micro switch
3	VT0004250	Shaft set
4	VT0004251	Fixing set
5	VT0001140	Shaft set
6	VT0004137	Screw set, From HHY54945, No suitable for hazardous areas
7	VT0003809	Sensor
8	VT0006303	Cover set, From HLY81153
8	VT0004252	Cover set, To HLY81152

8.3) NO OVERLOAD DEVICE - HOIST POWER MEASUREMENT - ROPE REEVING CODE : 02-04-06-08



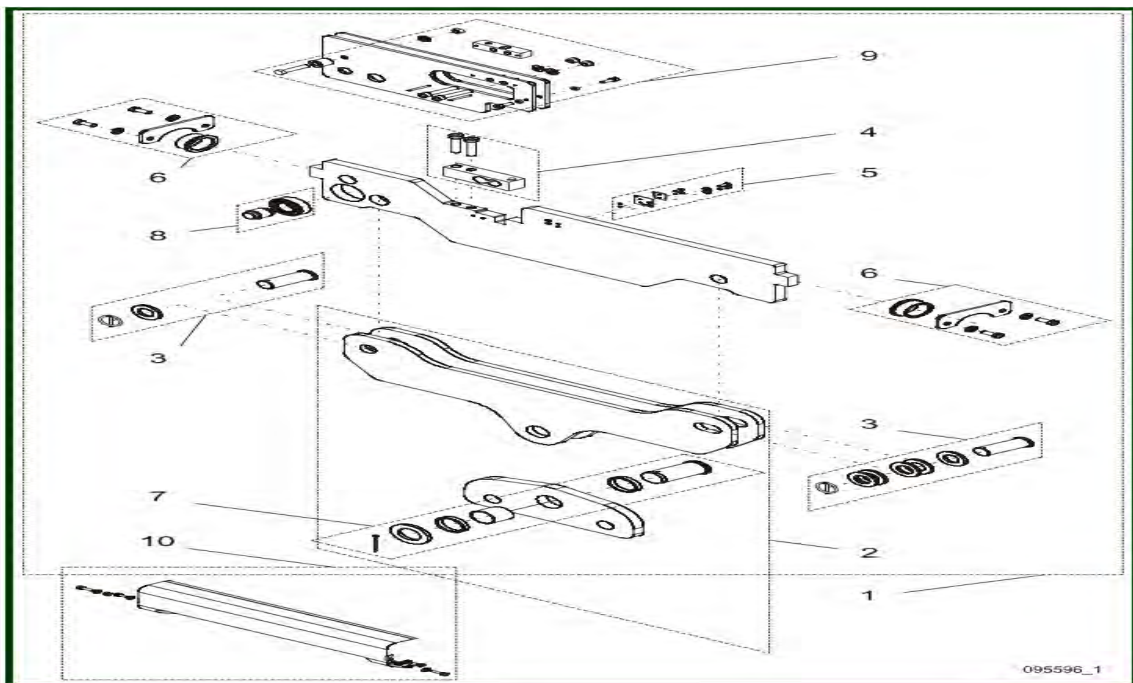
ITEM	REFERENCE	DESCRIPTION
1	NCLDC53	Overload device, From HLY81153
1	NCLDC	Overload device, To HLY81152
2	VT0004253	Shaft set
3	VT0004251	Fixing set
4	VT0006303	Cover set, From HLY81153
4	VT0004252	Cover set, To HLY81152

8.4) MECHANICAL LIMIT SWITCH - REEVING SYSTEM: 22



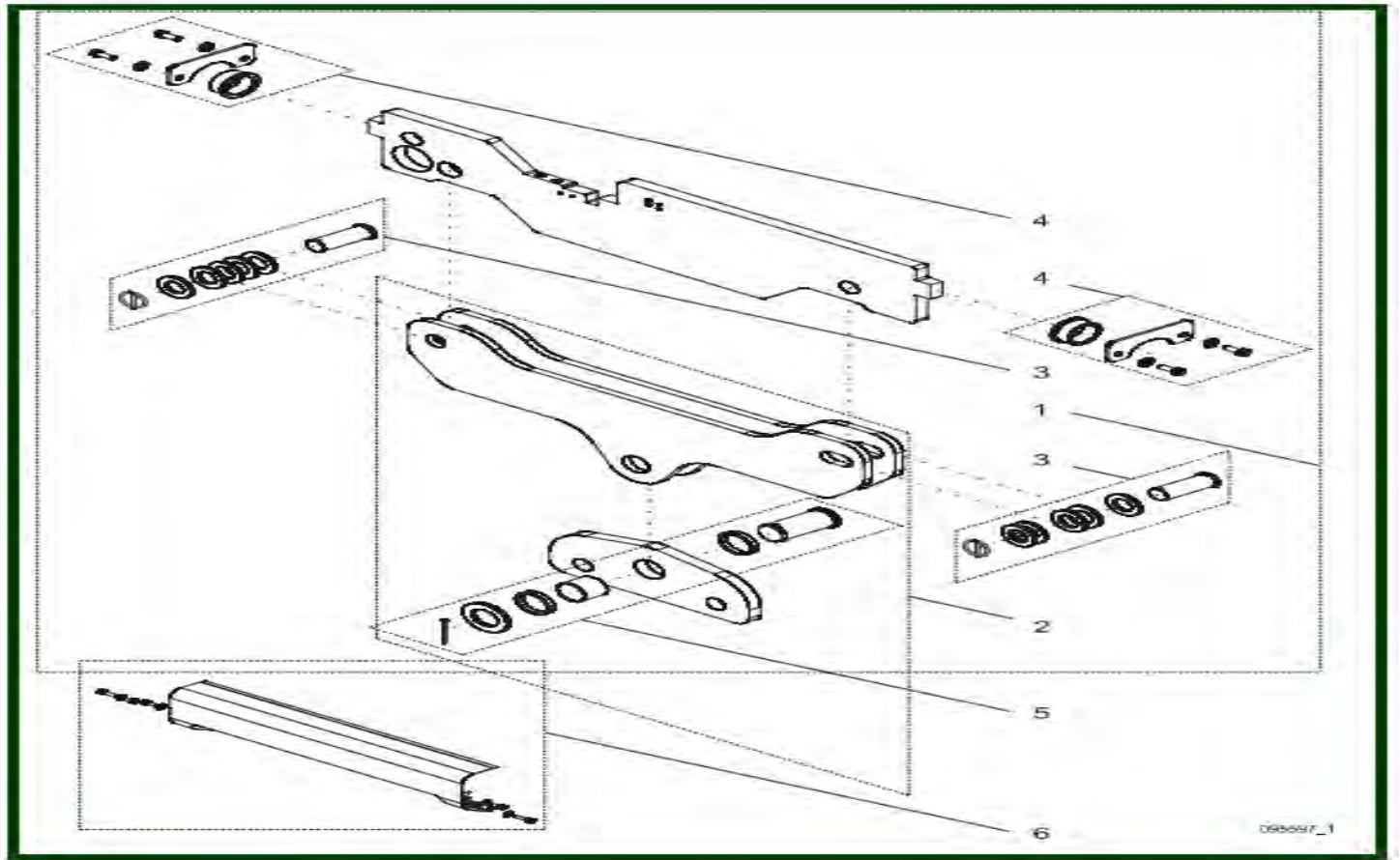
ITEM	REFERENCE	DESCRIPTION
2	VT0004320	Support arm
3	VT0004254	Shaft set
4	VT0004255	Spring set
5	VT0004262	Micro switch
6	VT0004329	Fixing set
7	VT0004256	Shaft set
8	VT0000273	Shaft set
9	VT0004142	Fixing set
10	VT0004257	Cover set

8.5) STRAIN GAUGE - ROPE REEVING CODE: 22



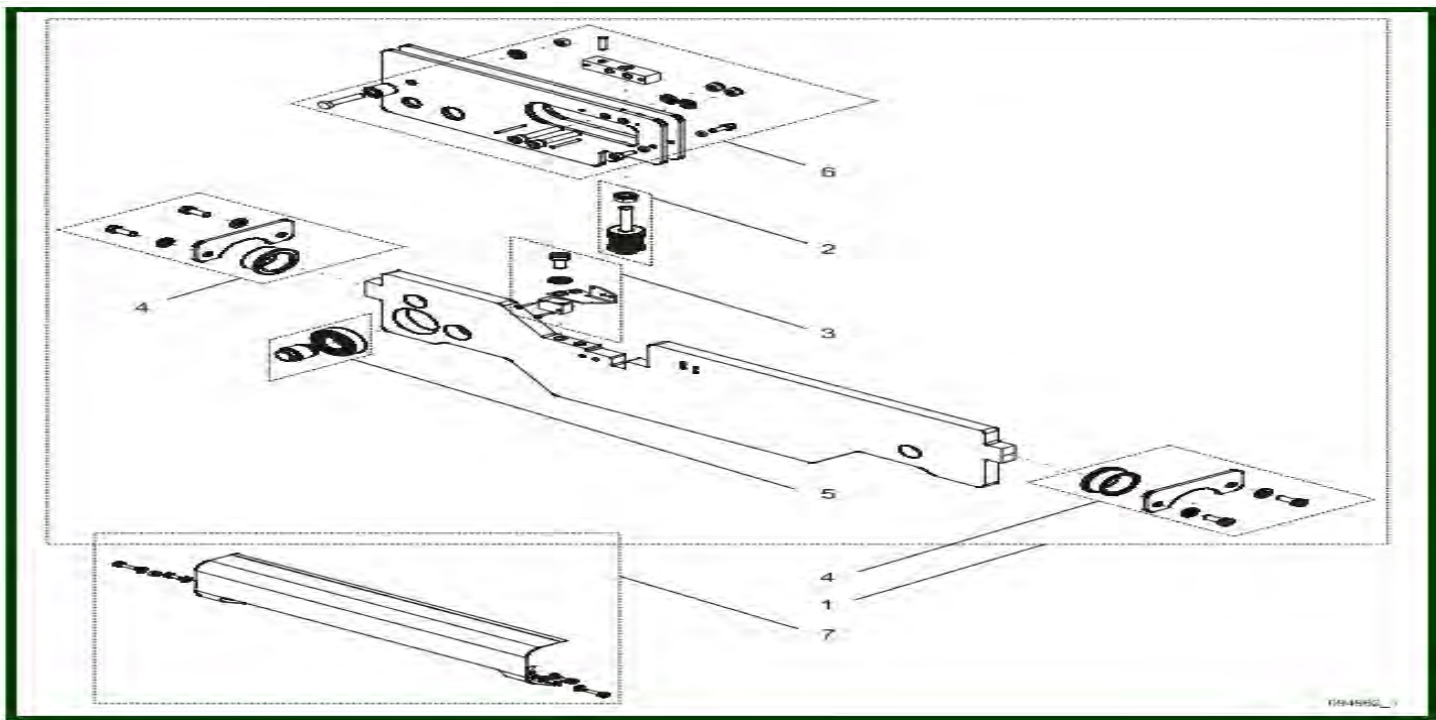
ITEM	REFERENCE	DESCRIPTION
2	VT0004320	Support arm
3	VT0004254	Shaft set
4	VT0003748	Sensor
5	VT0000280	Micro switch
6	VT0004329	Fixing set
7	VT0004256	Shaft set
8	VT0000273	Shaft set
9	VT0004142	Fixing set
10	VT0004257	Cover set

8.6) NO OVERLOAD DEVICE - ROPE REEVING CODE: 22



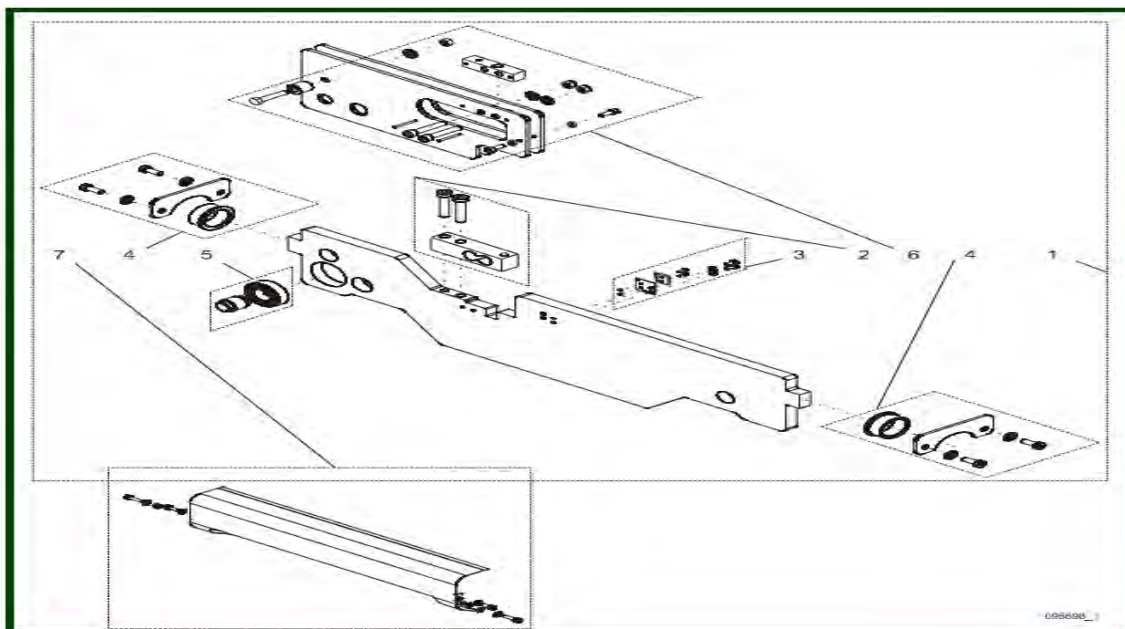
ITEM	REFERENCE	DESCRIPTION
2	VT0004320	Support arm
3	VT0004254	Shaft set
4	VT0004255	Spring set
5	VT0004262	Micro switch
6	VT0004329	Fixing set
7	VT0004256	Shaft set
8	VT0000273	Shaft set
9	VT0004142	Fixing set
10	VT0004257	Cover set

8.7) MECHANICAL LIMIT SWITCH - REEVING SYSTEM 24-26-28



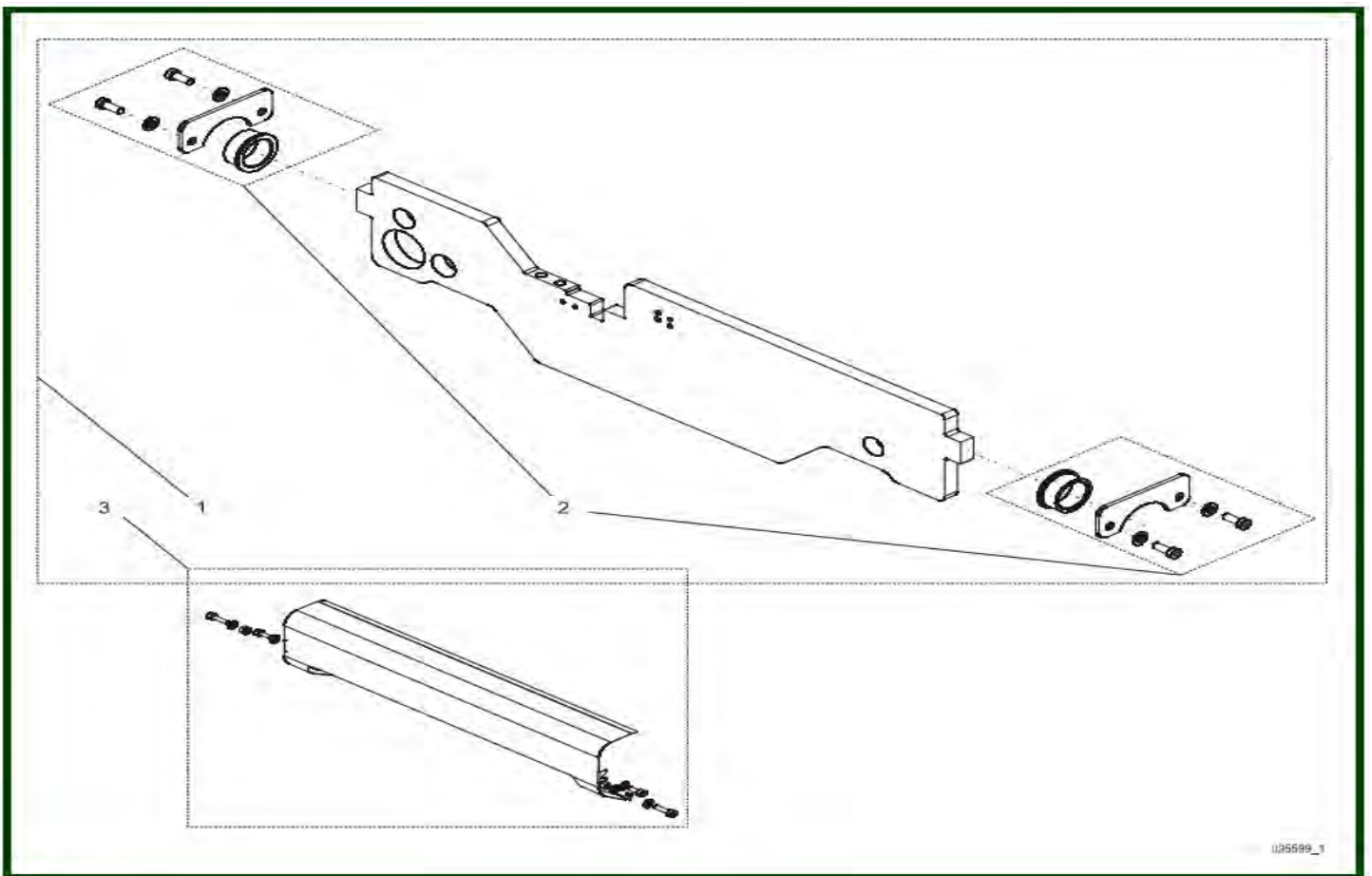
ITEM	REFERENCE	DESCRIPTION
1	VT0004332	Overload device
2	VT0004258	Spring set
3	VT0004262	Micro switch
4	VT0004329	Fixing set
5	VT0000273	Shaft set
6	VT0004142	Fixing set
7	VT0004257	Cover set

8.8) STRAIN GAUGE - ROPE REEVING CODE: 24-26-28



ITEM	REFERENCE	DESCRIPTION
1	VT0004333	Overload device
2	VT0003748	Sensor
3	VT0000280	Micro switch
4	VT0004329	Fixing set
5	VT0000273	Shaft set
6	VT0004142	Fixing set
7	VT0004257	Cover set

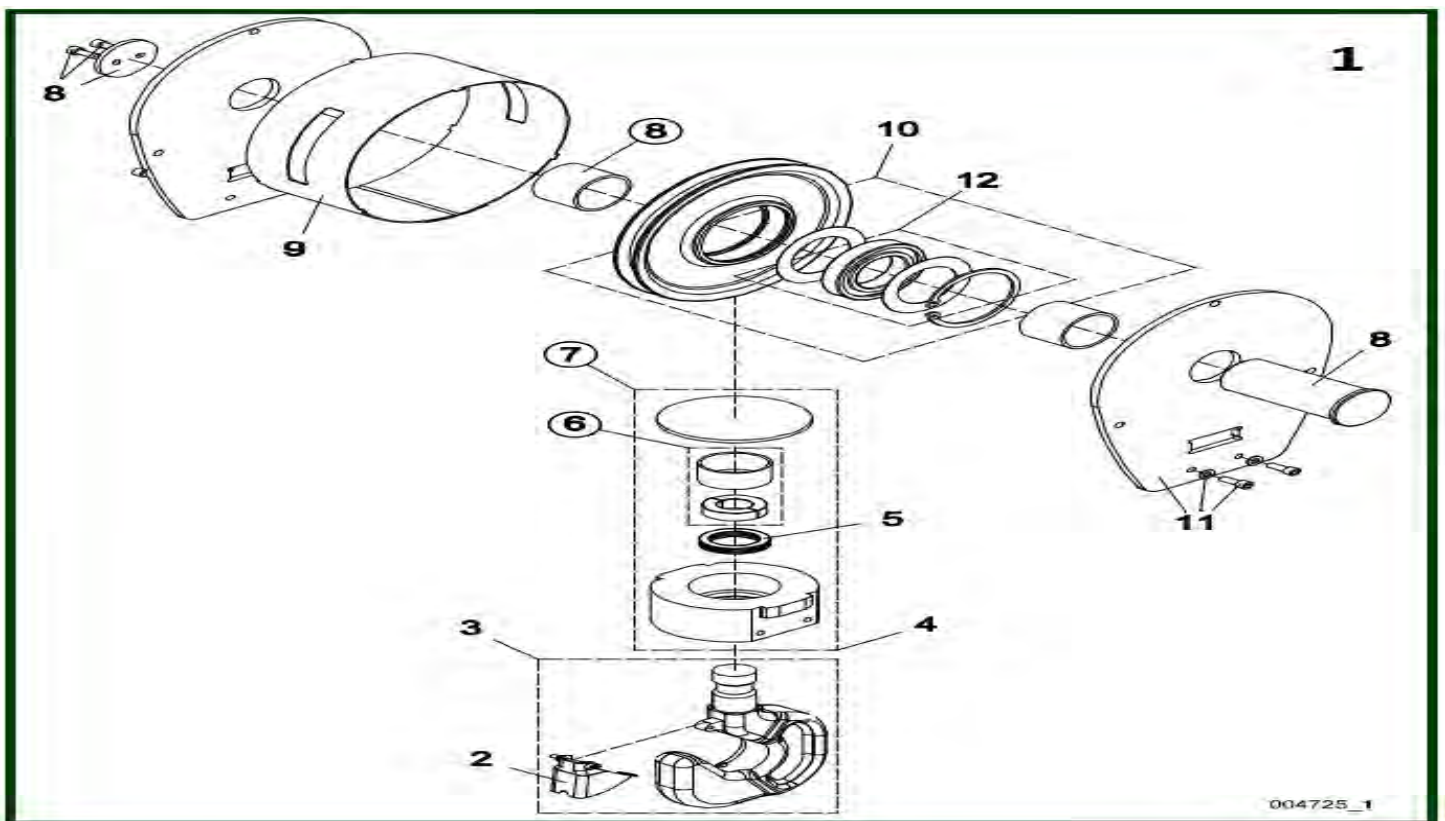
8.9) NO OVERLOAD DEVICE-HOIST POWER MEASUREMENT-ROPE REEVING CODE: 02-04-06-08
TROLLEY TYPE V - ROPE REEVING CODE: 02-04-06-08-22-24-26-28



ITEM	REFERENCE	DESCRIPTION
1	VT0004334	Overload device
2	VT0004329	Fixing set
3	VT0004257	Cover set

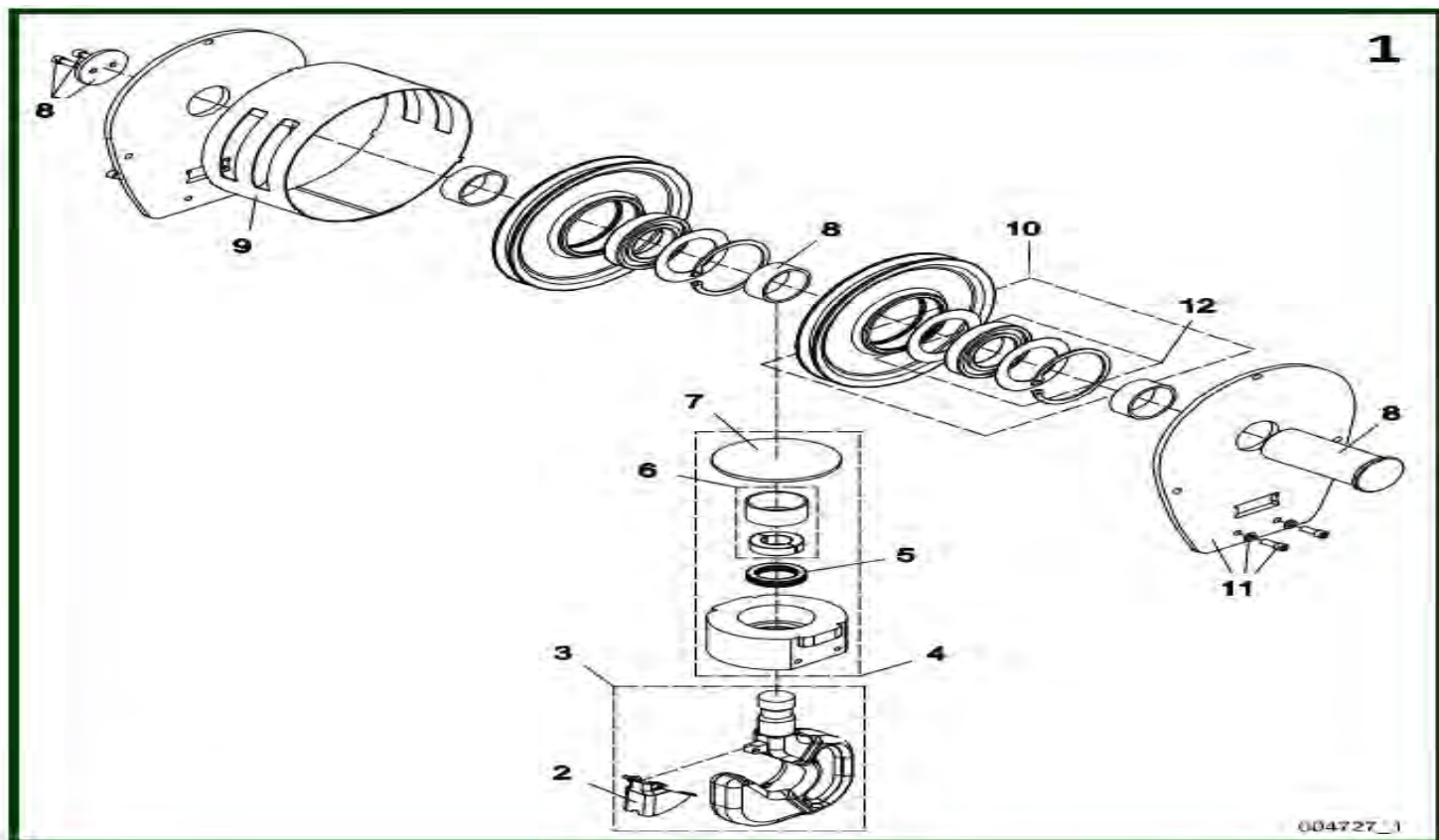
9) HOOK - BEFORE 2011

9.1) REEVING SYSTEM: 02



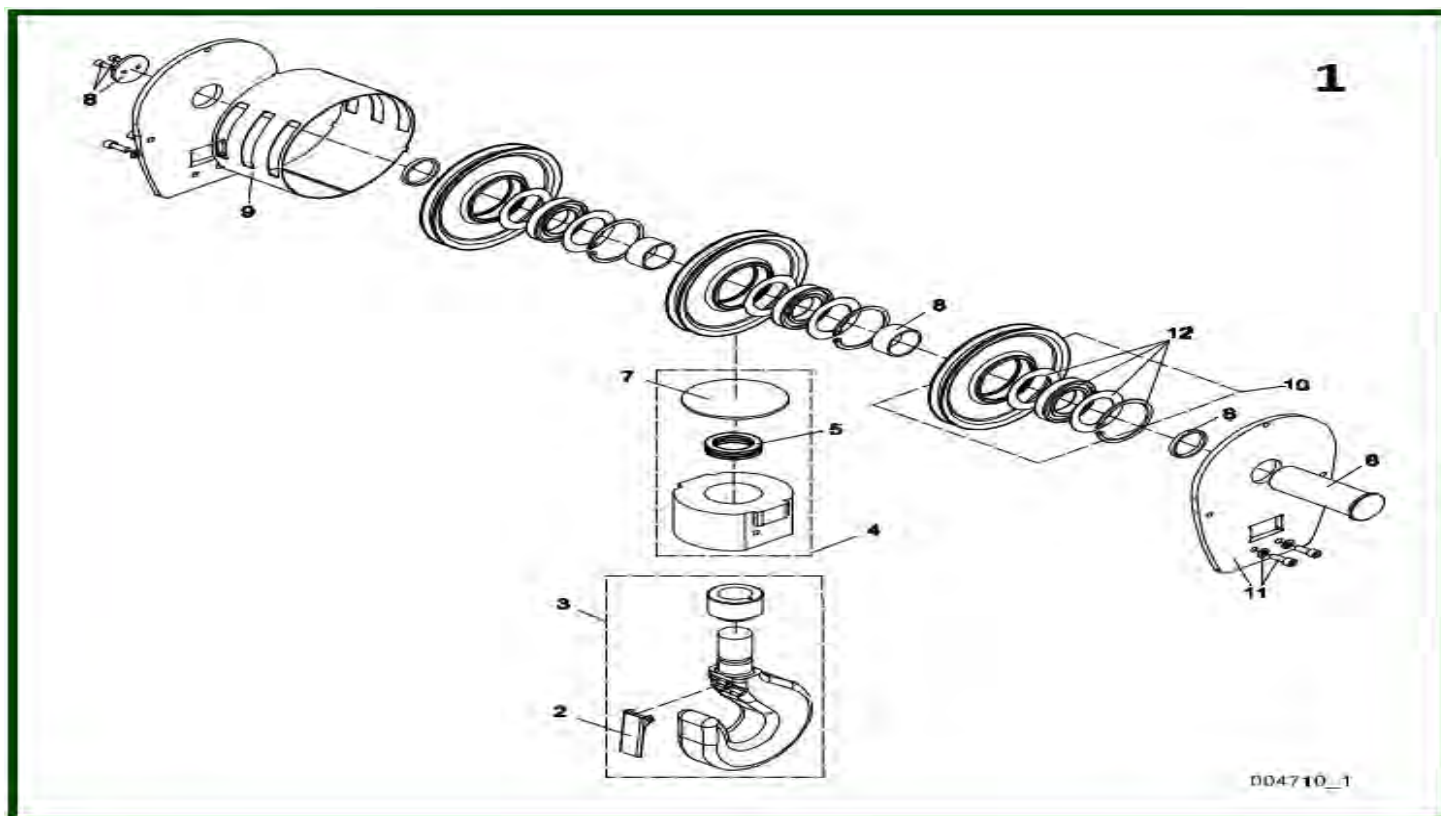
ITEM	REFERENCE	DESCRIPTION
1	VT0001156	Hook block
1	VT0003307	Hook block, HBC hook forging not replaced by standard RSN forging
1	NCC	Hook block, HBC hook forging replaced by standard RSN forging
2	NCL	Safety latch set
2	VT0001219	Safety latch set
3	VT0000825	Hook
3	NCCr	Hook, HBC hook forging replaced by standard RSN forging
4	VT0000680	Locking set, To HIY60200
5	VT0000827	Bearing
6	VT0000681	Cover set
7	VT0000874	Cover, To HIY60200
8	VT0001158	Shaft set
9	VT0001161	Cover
10	VT0001010	Sheave; rope sheave
11	VT0003335	Side plate, (VT0001162)
12	VT0001015	Bearings set, Reeving system 02-04-06-08-10

9.2) REEVING SYSTEM: 04



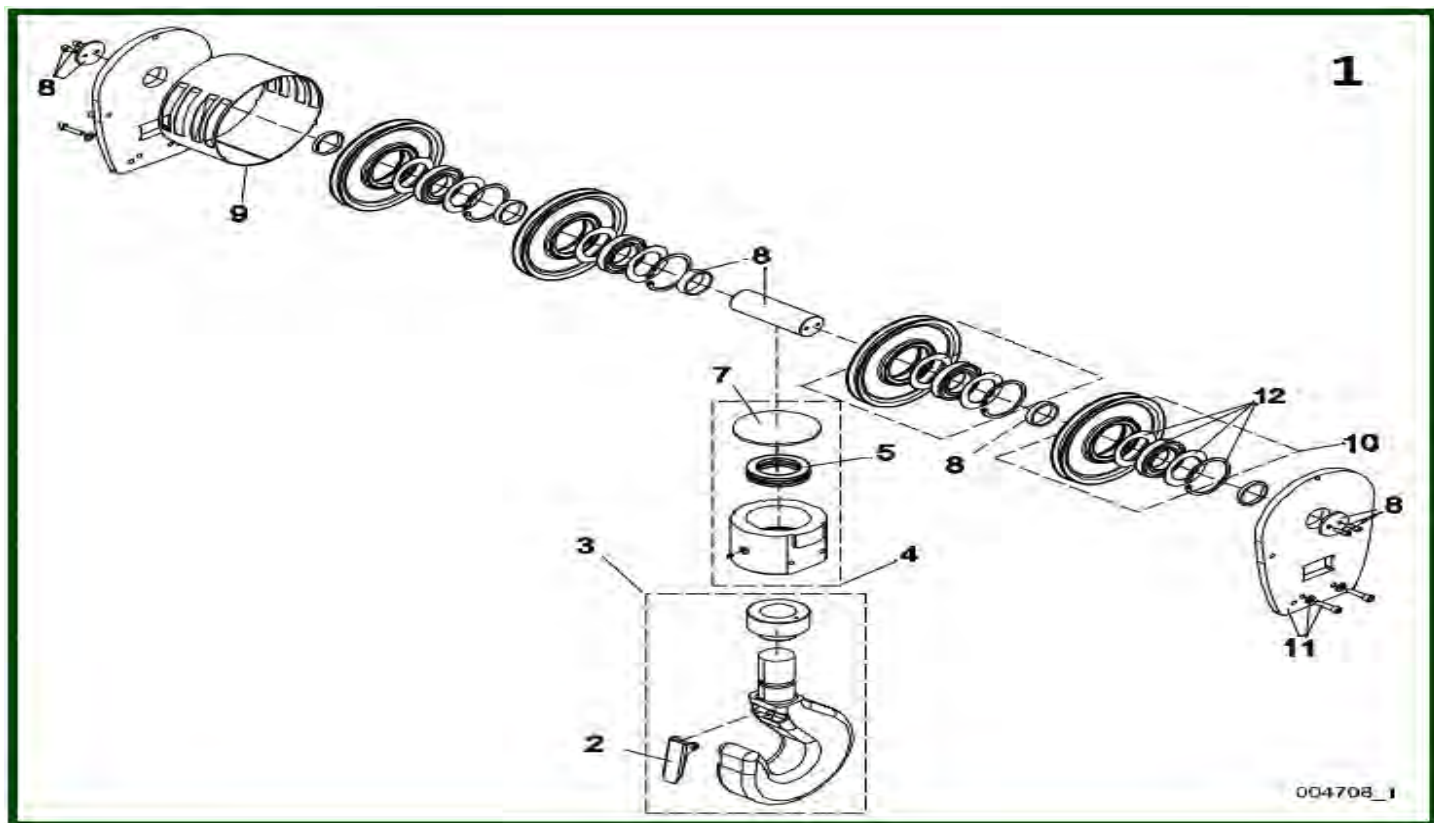
ITEM	REFERENCE	DESCRIPTION
1	VT0001156	Hook block
1	VT0003308	Hook block, HBC hook forging not replaced by standard RSN forging
1	NCM	Hook block, HBC hook forging replaced by standard RSN forging
2	NCL	Safety latch set
2	VT0001219	Safety latch set
3	VT0000825	Hook
3	NCCr	Hook, HBC hook forging replaced by standard RSN forging
4	VT0000680	Locking set, To HIY60200
5	VT0000827	Bearing
6	VT0000681	Cover set
7	VT0000874	Cover, To HIY60200
8	VT0001159	Shaft set
9	VT0001160	Cover
10	VT0001010	Sheave; rope sheave
11	VT0003335	Side plate, (VT0001162)
12	VT0001015	Bearings set, Reeving system 02-04-06-08-10

9.3) REEVING SYSTEM: 06



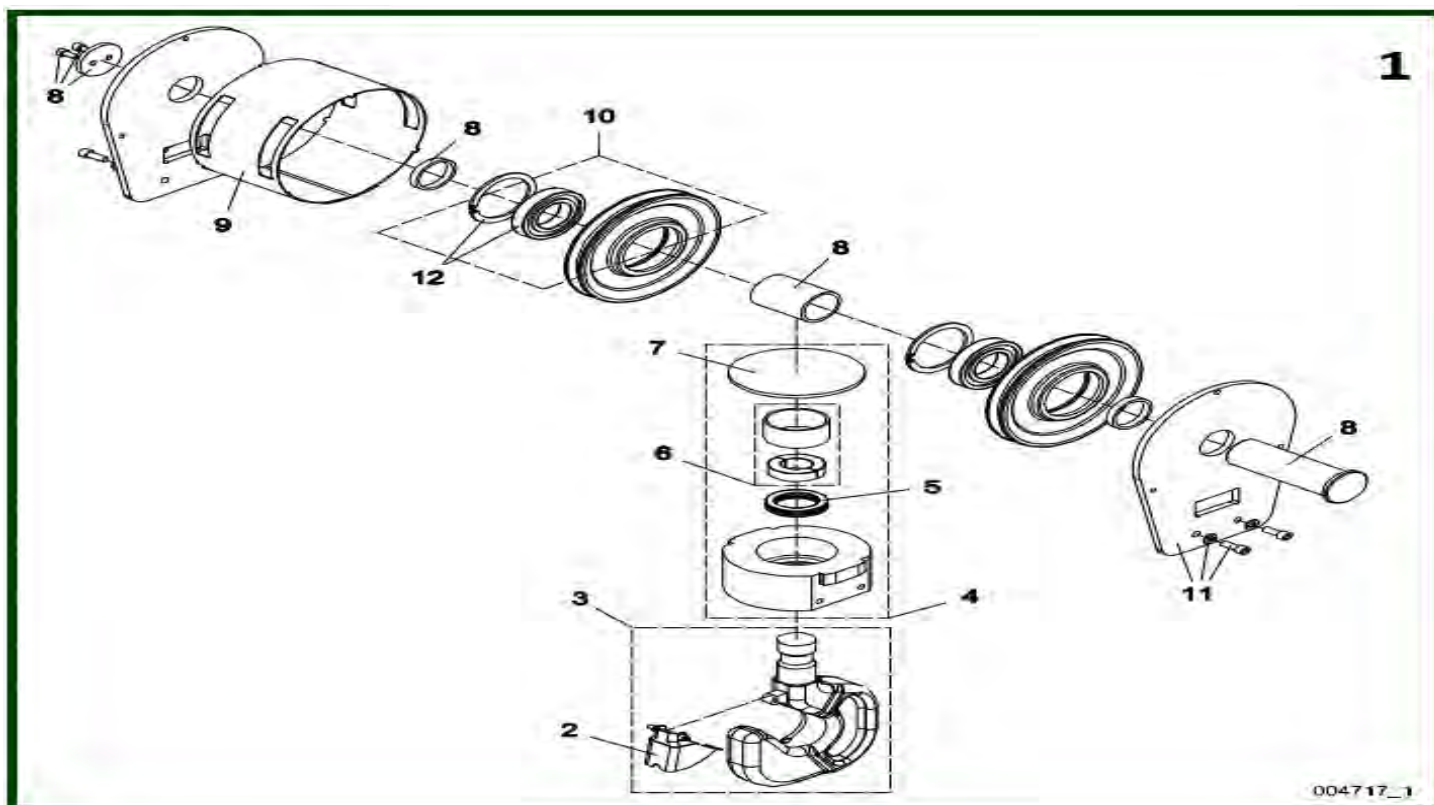
ITEM	REFERENCE	DESCRIPTION
1	VT0002331	Hook block, (VT0002330), HBC hook forging not replaced by standard RSN forging
2	VT0006359	Safety latch, HBC hook forging not replaced by standard RSN forging
2	VT0001007	Safety latch set, HBC hook forging not replaced by standard RSN forging
3	VT0001718	Hook, HBC hook forging not replaced by standard RSN forging
4	VT0001019	Locking set, To HIY60200
5	VT0001012	Bearings
6	VT0001020	Nut, To be sold only together with hook forging
7	VT0001011	Cover, From HIY60201
8	VT0001008	Shaft set
9	VT0001009	Cover, Reeving 10
10	VT0001010	Sheave, rope sheave
11	VT0003336	Side plate, (VT0001014)
12	VT0001015	Bearings set, Reeving system 02-04-06-08-10

9.4) REEVING SYSTEM: 08-10



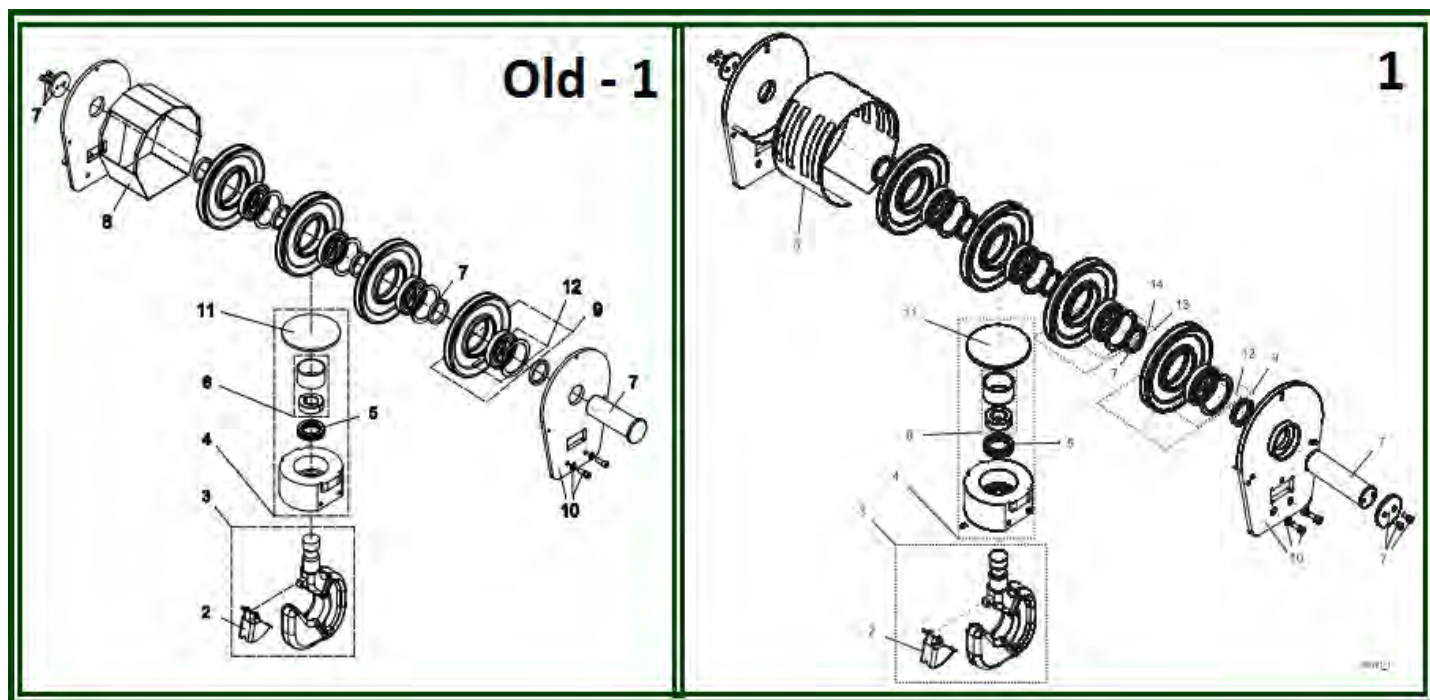
ITEM	REFERENCE	DESCRIPTION
1	VT0003311	Hook block, HBC hook forging not replaced by standard RSN forging
1	VT0001018	Hook block, Reeving 10
2	VT0001016	Safety latch set, HBC hook forging not replaced by standard RSN forging
3	VT0004105	Hook, HBC hook forging not replaced by standard RSN forging
4	VT0001022	Locking set
5	VT0001023	Bearings
6	VT0001024	Nut
7	VT0001027	Cover
8	VT0001025	Shaft set
8	VT0001026	Shaft set, Reeving 10
9	VT0001028	Cover
9	VT0001009	Cover, Reeving 10
10	VT0001010	Sheave; rope sheave
11	VT0003342	Side plate, (VT0001029)
12	VT0001015	Bearings set, Reeving system 02-04-06-08-10
13	VT0001031	Cover set
14	VT0001030	Cover, Reeving 10

9.5) REEVING SYSTEM: 22



ITEM	REFERENCE	DESCRIPTION
1	VT0003310	Hook block, (VT0001100), HBC hook forging not replaced by standard RSN forging
2	NCL	Safety latch set
2	VT0001219	Safety latch set
3	VT0000825	Hook
3	NCCr	Hook, HBC hook forging replaced by standard RSN forging
4	VT0000680	Locking set, To HIY60200
5	VT0000827	Bearing
6	VT0000681	Cover set
7	VT0000874	Cover, To HIY60200
8	VT0001101	Shaft set
9	VT0001102	Cover
10	VT0000875	Sheave, rope sheave, (VT0000685) - (VT0000269) - (VT0000684) - (VT0000690)
11	VT0003332	Side plate, To HIY60200, (VT0000686) - (VT0000820)
12	VT0000689	Bearings set

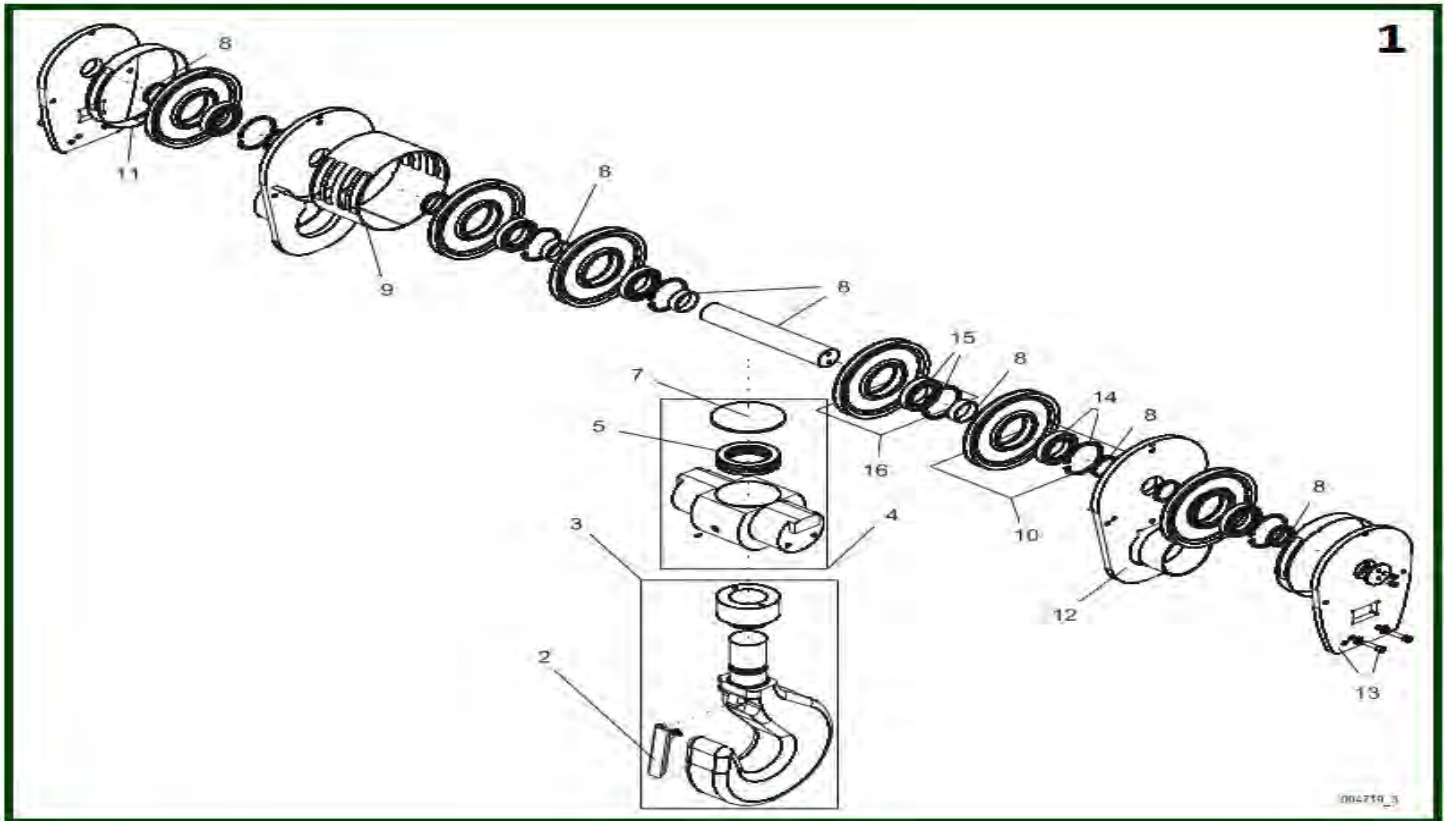
9.6) REEVING SYSTEM: 24



ITEM	REFERENCE	DESCRIPTION
1	VT0003991	Hook block, From HIY60201, HBC hook forging not replaced by standard RSN forging
1	VT0003301	Hook block, To HIY60200
2	VT0001219	Safety latch set
2	NCL	Safety latch set
3	VT0000825	Hook
3	NCCr	Hook, HBC hook forging replaced by standard RSN forging
4	VT0003979	Locking set, From HIY60201
4	VT0000680	Locking set, To HIY60200
5	VT0000827	Bearing
6	VT0000681	Cover set
7	VT0003980	Shaft set, From HIY60201
7	VT0000683	Shaft set, To HIY60200
8	VT0003984	Cover, From HIY60201
8	VT0002182	Cover, To HIY60200
9	VT0000875	Sheave, rope sheave, (VT0000685) - (VT0000269) - (VT0000684) - (VT0000690)
10	VT0003983	Side plate, From HIY60201
10	VT0003332	Side plate, To HIY60200, (VT0000686) - (VT0000820)
11	VT0001011	Cover, From HIY60201

11	VT0000874	Cover, To HIY60200
12	VT0000689	Bearings set
12	VT0003982	Bearings set, From HIY60201
13	VT0003981	Sheave; rope sheave, From HIY60201

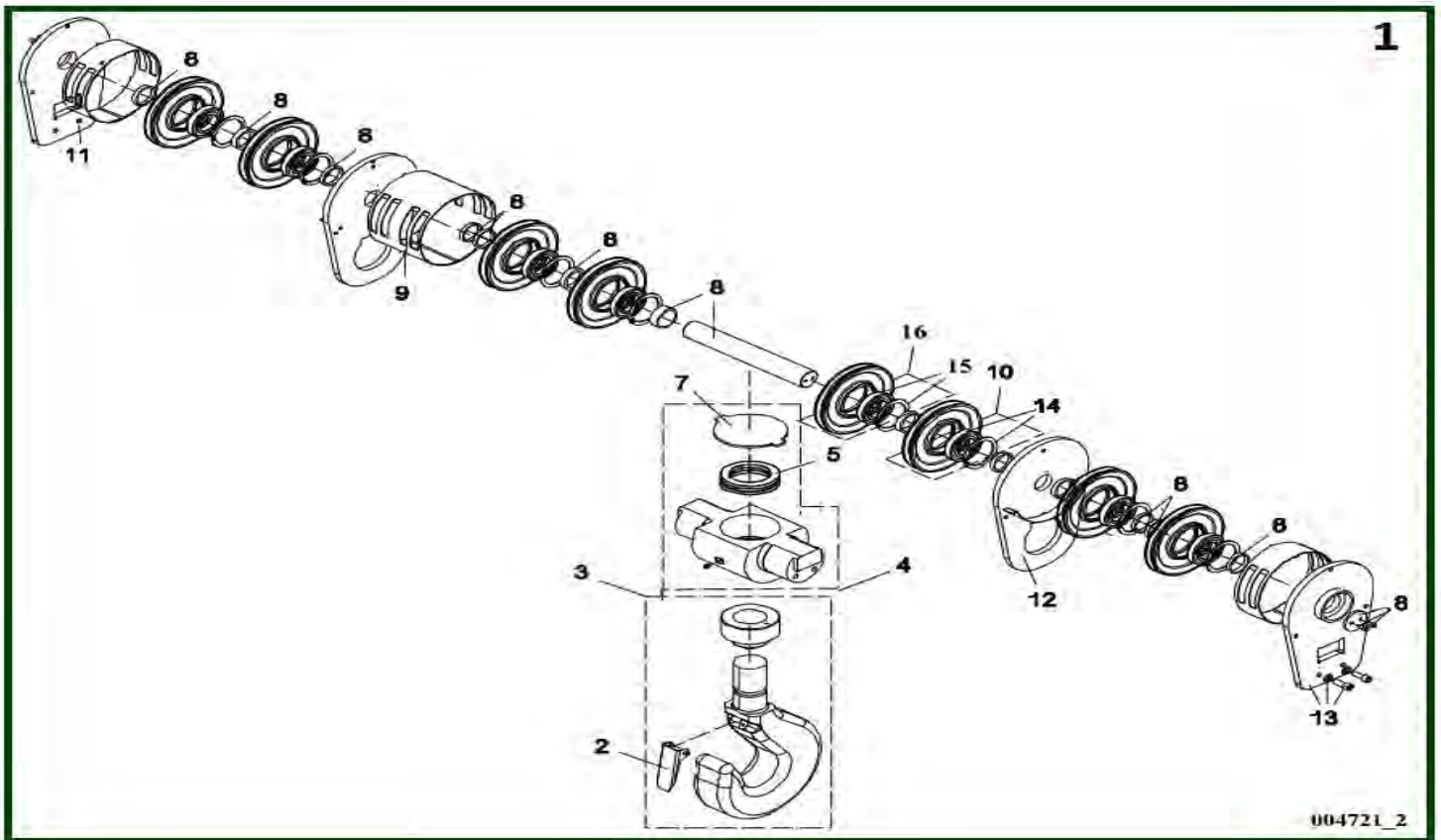
9.7) REEVING SYSTEM: 26



ITEM	REFERENCE	DESCRIPTION
1	VT0003992	Hook block, From HIY60201
2	VT0001007	Safety latch set, HBC hook forging not replaced by standard RSN forging
3	VT0001718	Hook, HBC hook forging not replaced by standard RSN forging
4	VT0003984	Cover, From HIY60201
4	VT0001019	Locking set, to HIY60200
5	VT0001012	Bearings
6	VT0001020	Nut, to be sold only together with hook forging
7	VT0001011	Cover, From HIY60201
8	VT0003995	Shaft set, From HIY60201
8	VT0001104	Shaft set, To HIY60200
9	VT0001106	Cover
9	VT0001105	Cover, To HIY60200

10	VT0000875	Sheave; rope sheave, (VT0000685) - (VT0000269) - (VT0000684) - (VT0000690)
12	VT0003985	Side plate, From HIY60201
12	VT0003337	Side plate, To HIY60200, (VT0001107)
13	VT0003986	Cover plate, From HIY60201
13	VT0003338	Cover plate, To HIY60200, (VT0001108)
14	VT0000689	Bearings set
15	VT0003982	Bearings set, From HIY60201
16	VT0003981	Sheave, rope sheave, From HIY60201

9.8) REEVING SYSTEM: 28

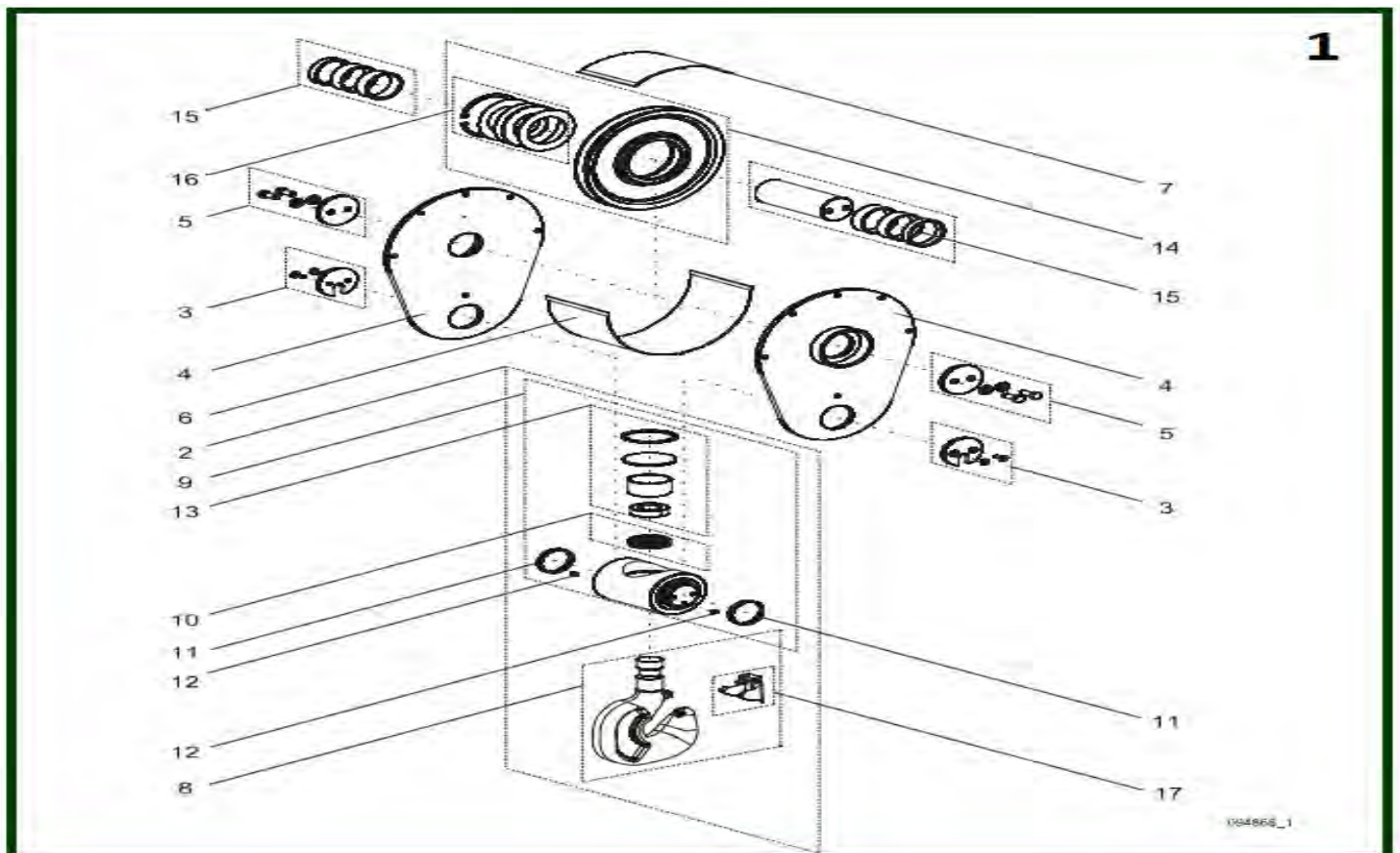


ITEM	REFERENCE	DESCRIPTION
1	VT0001109	Hook block
1	VT0003993	Hook block, HBC hook forging not replaced by standard RSN forging
2	VT0001016	Safety latch set, HBC hook forging not replaced by standard RSN forging
3	VT0004105	Hook, HBC hook forging not replaced by standard RSN forging
4	VT0003987	Locking set, From HIY60201
4	VT0001111	Locking set, To HIY60200
5	VT0001023	Bearings
6	VT0001024	Nut

7	VT0001011	Cover, From HIY60201
7	VT0001112	Cover, To HIY60200
8	VT0003988	Shaft set, From HIY60201
8	VT0001114	Shaft set, To HIY60200
9	VT0003984	Cover, From HIY60201
9	VT0001105	Cover, To HIY60200
10	VT0000875	Sheave; rope sheave, (VT0000685) - (VT0000269) - (VT0000684) - (VT0000690)
11	VT0001115	Cover
12	VT0003989	Side plate, From HIY60201
12	VT0001116	Side plate, To HIY60200
13	VT0001107	Side plate
13	VT0003990	Side plate, To HIY60200
14	VT0000689	Bearings set
15	VT0003982	Bearings set, From HIY60201
15	VT0001106	Cover
16	VT0003981	Sheave, rope sheave, From HIY60201

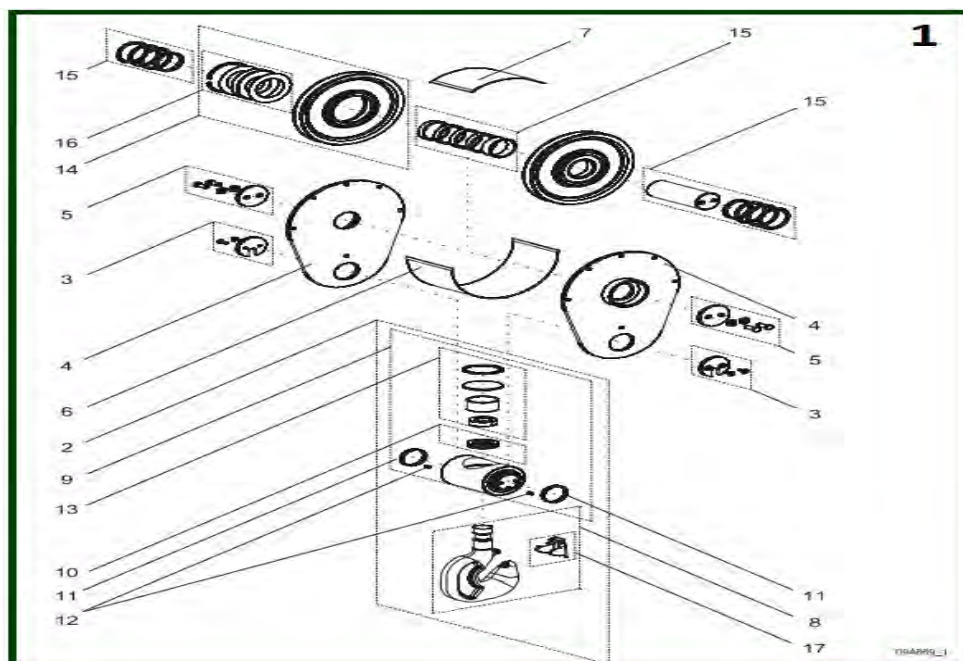
10) HOOK - AFTER 2011

10.1) REEVING SYSTEM: 02



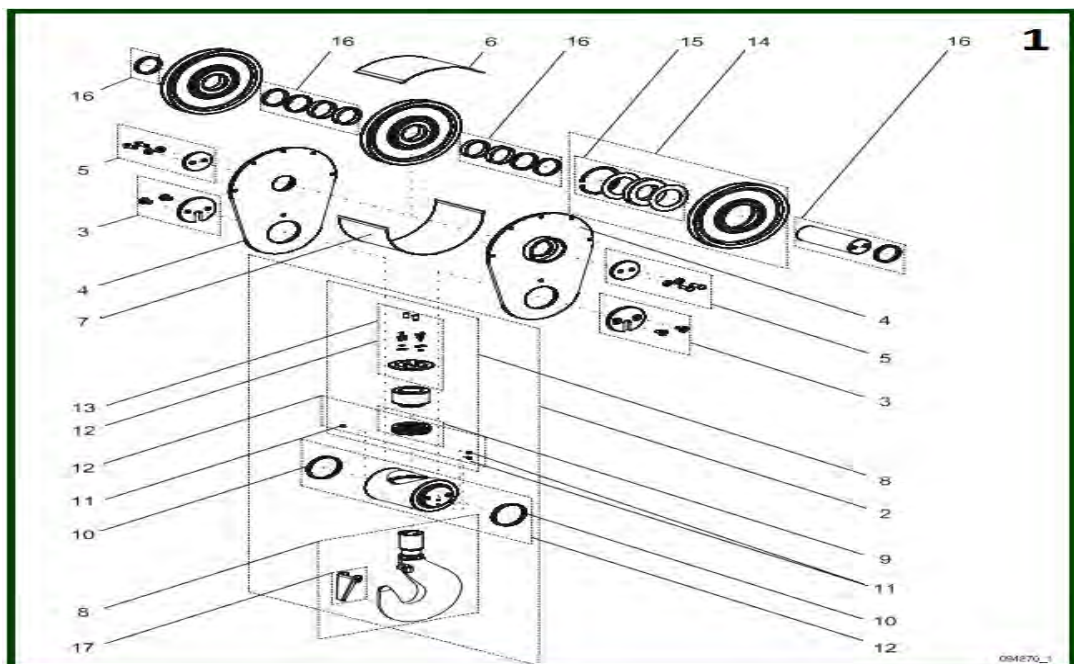
ITEM	REFERENCE	DESCRIPTION
1	VT0004267	Hook block
2	VT0004268	Hook assembly
3	VT0004208	Fixing set
4	VT0004448	Side plate
4	VT0004269	Side plate
5	VT0004449	Fixing set
5	VT0004209	Fixing set
6	VT0004270	Cover plate
7	VT0004271	Cover plate
8	VT0000825	Hook
9	VT0004210	Cross bar
10	VT0000827	Bearing
11	VT0004450	Radial sliding bearing
11	VT0004272	Radial sliding bearing
12	VT0004273	Nipple, (VT0003396)
13	VT0004211	Cover set
14	VT0001010	Sheave, rope sheave
15	VT0004212	Shaft set
16	VT0001015	Bearings set, Reeving system 02-04-06-08-10
17	VT0001219	Safety latch set

10.2) REEVING SYSTEM: 04



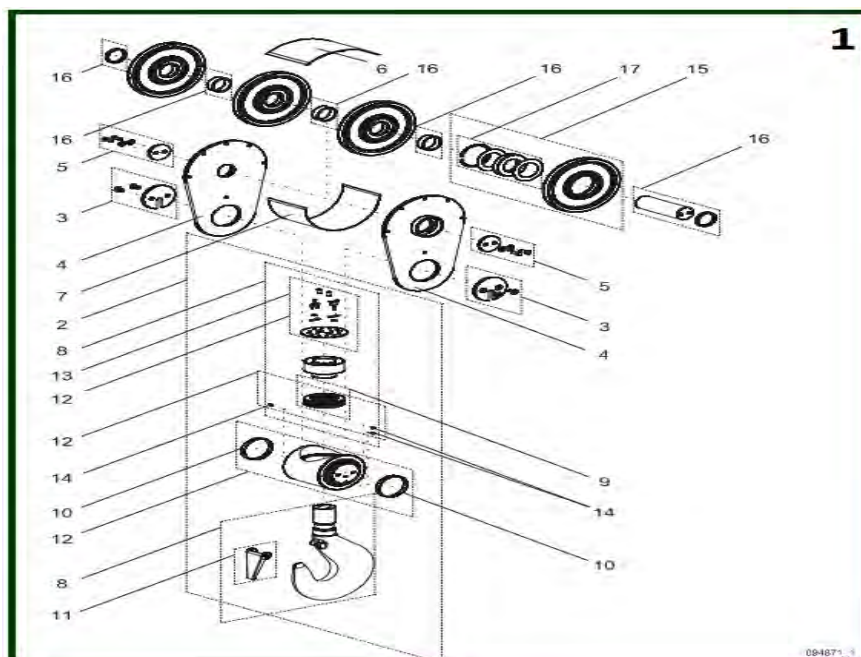
ITEM	REFERENCE	DESCRIPTION
1	VT0004274	Hook block
2	VT0004268	Hook assembly
3	VT0004208	Fixing set
4	VT0004448	Side plate
4	VT0004269	Side plate
5	VT0004449	Fixing set
5	VT0004209	Fixing set
6	VT0004270	Cover plate
7	VT0004271	Cover plate
8	VT0000825	Hook
9	VT0004210	Cross bar
10	VT0000827	Bearing
11	VT0004450	Radial sliding bearing
11	VT0004272	Radial sliding bearing
12	VT0004273	Nipple, (VT0003396)
13	VT0004211	Cover set
14	VT0001010	Sheave, rope sheave
15	VT0004213	Shaft set
16	VT0001015	Bearings set, Reeving system 02-04-06-08-10
17	VT0001219	Safety latch set

10.3) REEVING SYSTEM: 06



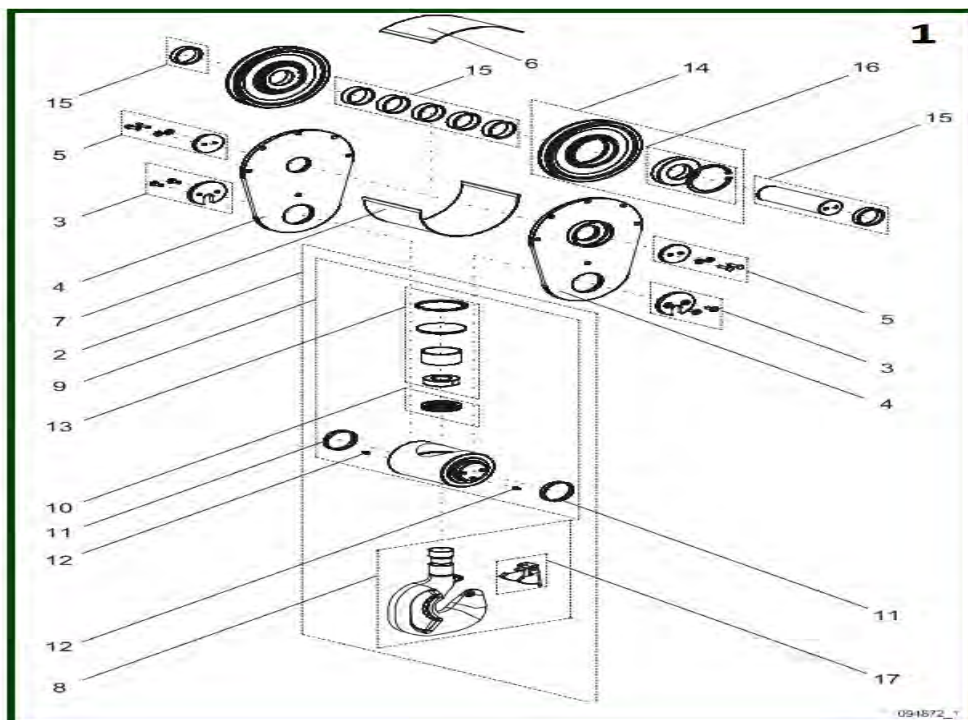
ITEM	REFERENCE	DESCRIPTION
1	VT0004275	Hook block
2	VT0004276	Hook assembly
3	VT0004214	Fixing set
4	VT0004453	Side plate
4	VT0004277	Side plate
5	VT0004449	Fixing set
5	VT0004209	Fixing set
6	VT0004431	Cover plate
7	VT0004430	Cover plate
8	VT0004215	Hook + nut
9	VT0004280	Cylindrical thrust nut
10	VT0006304	Radial sliding bearing
10	VT0004281	Radial sliding bearing
11	VT0004273	Nipple, (VT0003396)
12	VT0004216	Cross bar
13	VT0004217	Locking set
14	VT0001010	Sheave, rope sheave
15	VT0001015	Bearings set, Reeving system 02-04-06-08-10
16	VT0004218	Shaft set
17	VT0004323	Shaft set, (VT0004279)

10.4) REEVING SYSTEM: 08



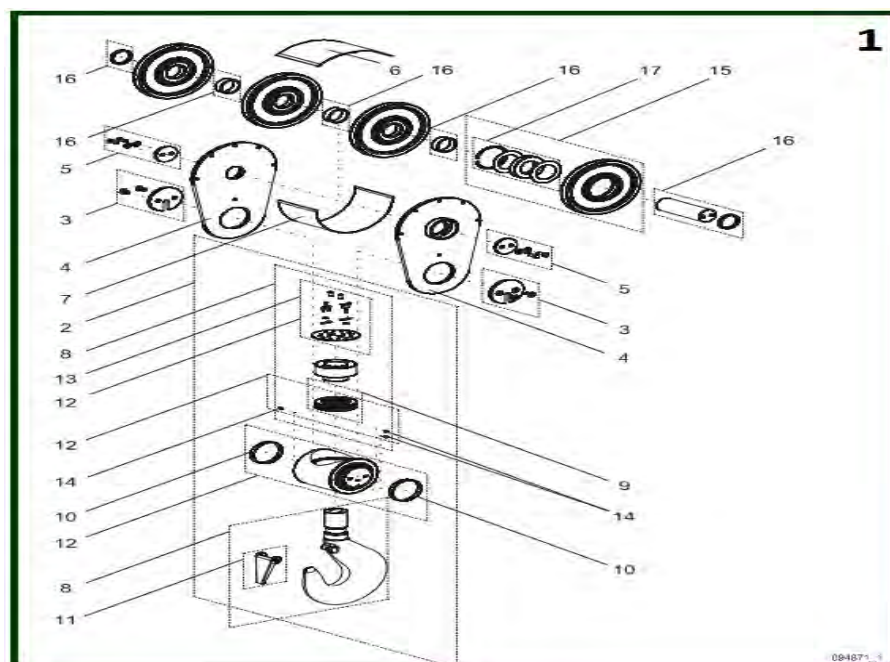
ITEM	REFERENCE	DESCRIPTION
1	VT0004283	Hook block
2	VT0004284	Hook assembly
3	VT0004219	Fixing set
4	VT0004454	Side plate
4	VT0004285	Side plate
5	VT0004449	Fixing set
5	VT0004209	Fixing set
6	VT0004431	Cover plate
7	VT0004430	Cover plate
8	VT0004220	Hook + nut
9	VT0004287	Cylindrical thrust bearing
10	VT0004303	Radial sliding bearing
11	VT0004286	Safety latch
12	VT0004221	Cross bar
13	VT0004222	Locking set
14	VT0004273	Nipple, (VT0003396)
15	VT0001010	Sheave, rope sheave
16	VT0004223	Shaft set
17	VT0001015	Bearings set, Reeving system 02-04-06-08-10

10.5) REEVING SYSTEM: 22



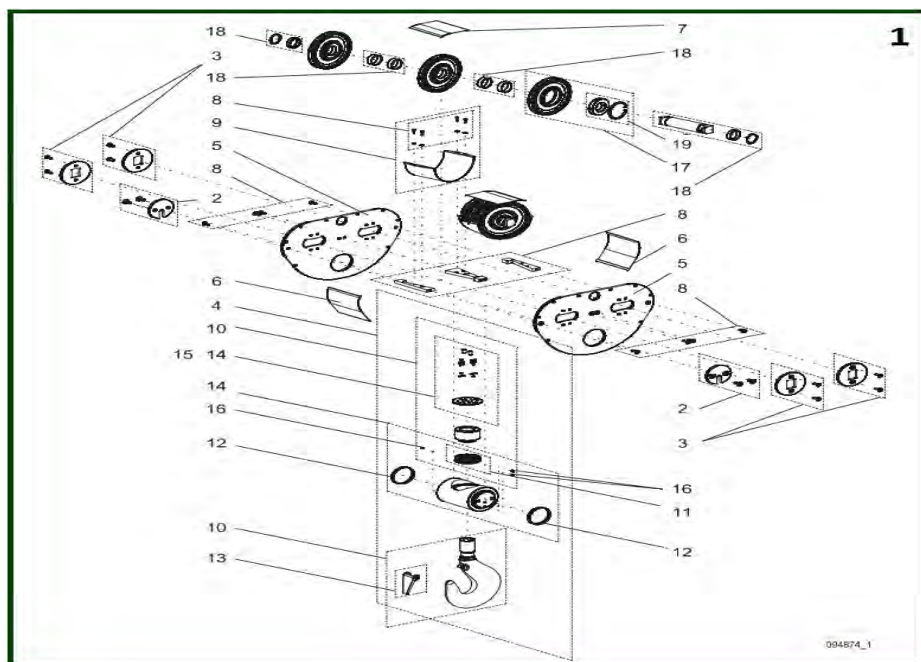
ITEM	REFERENCE	DESCRIPTION
1	VT0004289	Hook block
2	VT0004268	Hook assembly
3	VT0004208	Fixing set
4	VT0004290	Side plate
4	VT0004451	Side plate
5	VT0004452	Fixing set
5	VT0004224	Fixing set
6	VT0004291	Cover plate
7	VT0004292	Cover plate
8	VT0000825	Hook
9	VT0004210	Cross bar
10	VT0000827	Bearing
11	VT0004450	Radial sliding bearing
11	VT0004272	Radial sliding bearing
12	VT0004273	Nipple, (VT0003396)
13	VT0004211	Cover set
14	VT0000875	Sheave, rope sheave, (VT0000685) - (VT0000269) - (VT0000684) - (VT0000690)
15	VT0004225	Shaft set
16	VT0000689	Bearings set
17	VT0001219	Safety latch set

10.6) REEVING SYSTEM: 24



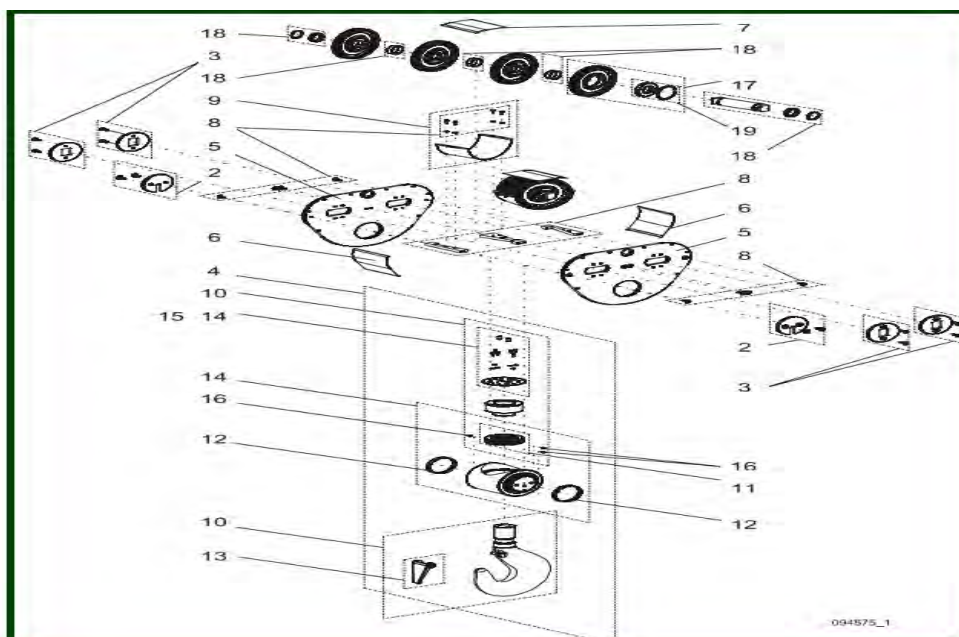
ITEM	REFERENCE	DESCRIPTION
1	VT0004293	Hook block
2	VT0004208	Fixing set
3	VT0004226	Locking set
4	VT0004294	Hook assembly
5	VT0004295	Side plate
6	VT0004296	Cover plate
7	VT0004297	Cover plate
8	VT0004227	Cover set
9	VT0004228	Cover set
10	VT0002923	Bearing
11	VT0004450	Radial sliding bearing
11	VT0004272	Radial sliding bearing
12	VT0004230	Locking set
13	VT0004298	Safety latch
14	VT0004273	Nipple, (VT0003396)
15	VT0004231	Cross bar
16	VT0004232	Hook + nut
17	VT0000875	Sheave; rope sheave, (VT0000685) - (VT0000269) - (VT0000684) - (VT0000690)
18	VT0004233	Shaft set
19	VT0000689	Bearings set

10.7) REEVING SYSTEM: 26



ITEM	REFERENCE	DESCRIPTION
1	VT0004299	Hook block
2	VT0004214	Fixing set
3	VT0004226	Locking set
4	VT0004276	Hook assembly
5	VT0004300	Side plate
6	VT0004296	Cover plate
7	VT0004297	Cover plate
8	VT0004227	Cover set
9	VT0004228	Cover set
10	VT0004215	Hook + nut
11	VT0004280	Cylindrical thrust nut
12	VT0006304	Radial sliding bearing
12	VT0004281	Radial sliding bearing
13	VT0004323	Shaft set, (VT0004279)
14	VT0004216	Cross bar
15	VT0004217	Locking set
16	VT0004273	Nipple, (VT0003396)
17	VT0000875	Sheave, rope sheave, (VT0000685) - (VT0000269) - (VT0000684) - (VT0000690)
18	VT0004234	Safety latch
19	VT0000689	Bearings set

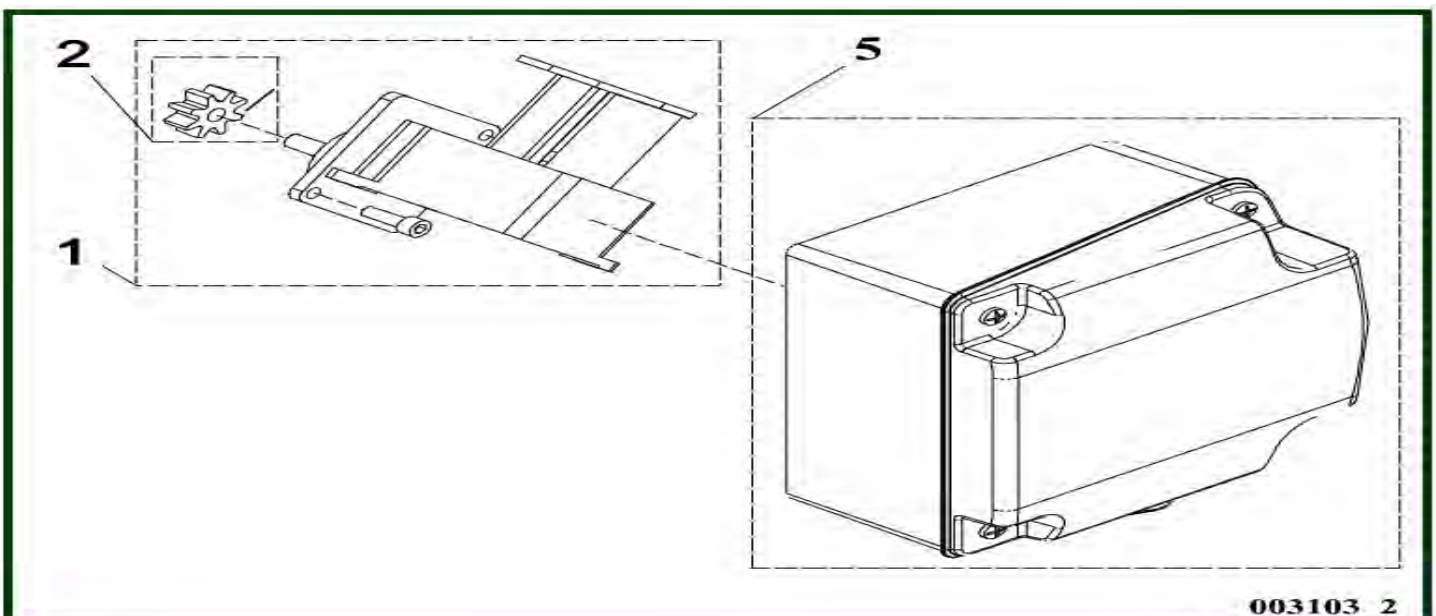
10.8) REEVING SYSTEM: 28



ITEM	REFERENCE	DESCRIPTION
1	VT0004301	Hook block
2	VT0004219	Fixing set
3	VT0004226	Locking set
4	VT0004284	Hook assembly
5	VT0004302	Side plate
6	VT0004296	Cover plate
7	VT0004297	Cover plate
8	VT0004227	Cover set
9	VT0004228	Cover set
10	VT0004220	Hook + nut
11	VT0004287	Cylindrical thrust bearing
12	VT0004303	Radial sliding bearing
13	VT0004286	Safety latch
14	VT0004221	Cross bar
15	VT0004222	Locking set
16	VT0004273	Nipple, (VT0003396)
17	VT0000875	Sheave, rope sheave, (VT0000685) - (VT0000269) - (VT0000684) - (VT0000690)
18	VT0004235	Shaft set
19	VT0000689	Bearings set

11) HOISTING LIMIT SWITCH

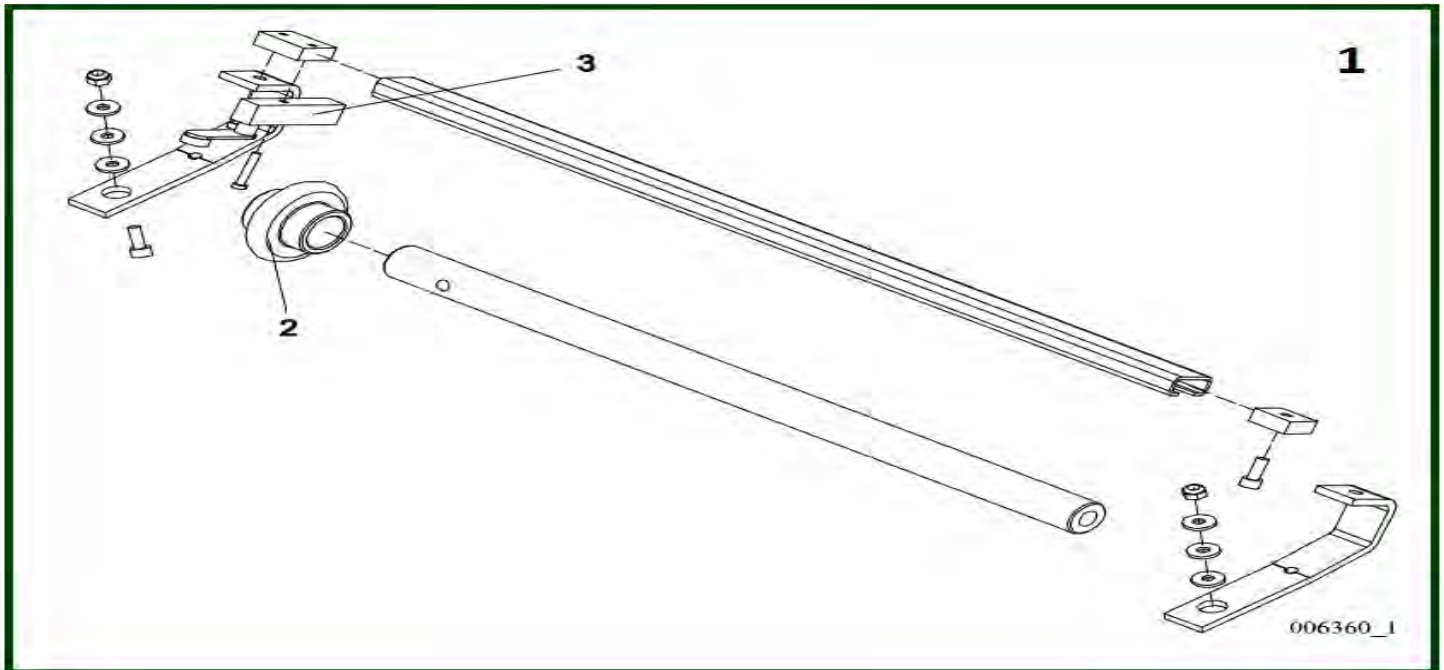
11.1) HOISTING LIMIT SWITCH



003103_2

ITEM	REFERENCE	DESCRIPTION
1	VT0001180	Limit switch
1	VT0001179	Limit switch
1	VT0006305	Rotary limit switch, Hoist drum length H-J-K-L - Reeving system: 22-24-26-28-M2, Hoist drum length G-H-J - Reeving system : 02-04-06-08-M1
2	VT0001178	Gear wheel set
5	VT0002462	Junction box

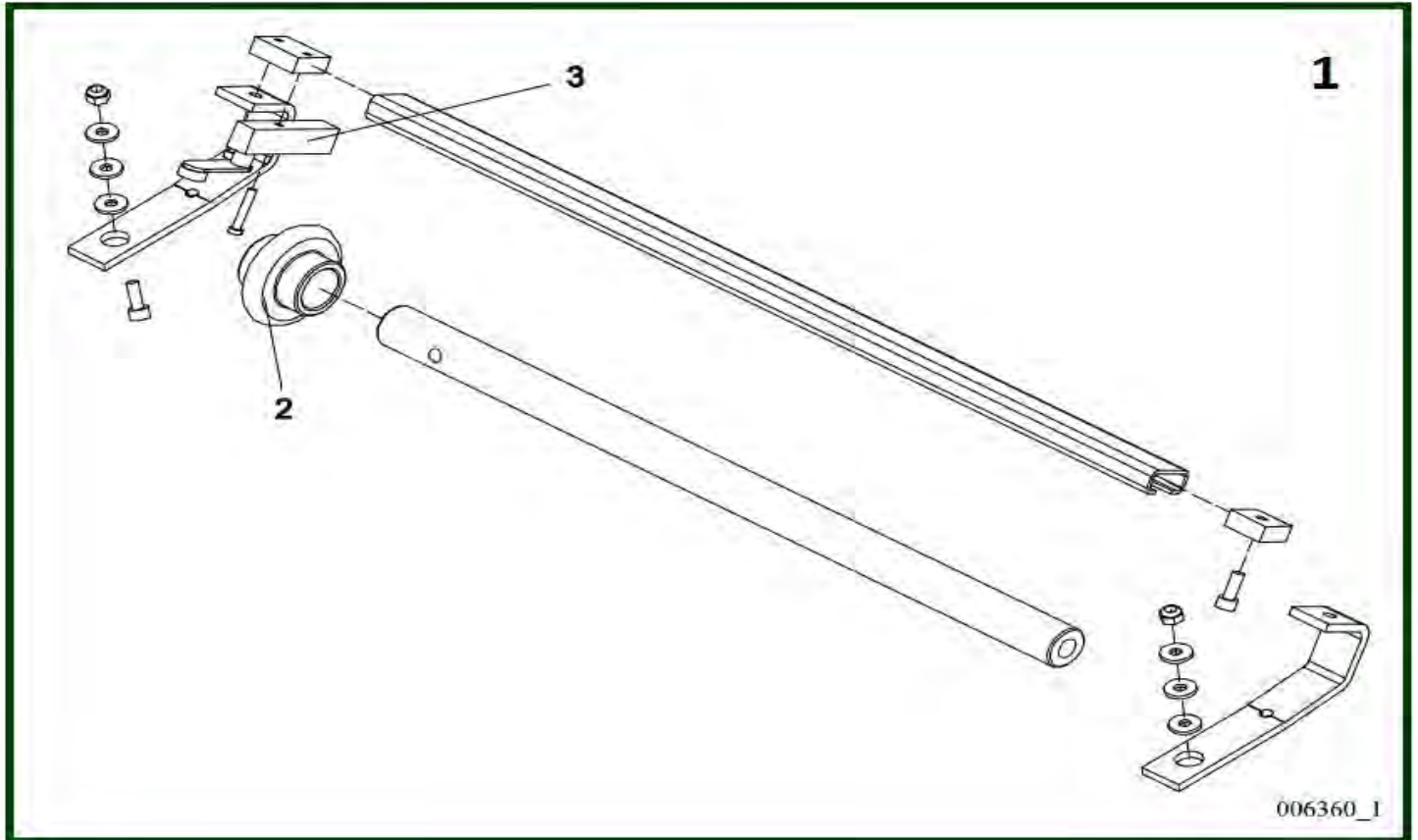
11.2) HAZARDOUS AREAS: D-DCSA-DE - OLD MODEL (To H0426030)



ITEM	REFERENCE	DESCRIPTION
1	VT0002723	Limit switch - To H0426030, Hoist drum length C - Reeving system: 02-04-06-08
1	VT0002724	Limit switch - To H0426030, Hoist drum length D - Reeving system: 02-04-06-08
1	VT0002725	Limit switch - To H0426030, Hoist drum length E - Reeving system: 02-04-06-08
1	VT0002726	Limit switch - To H0426030, Hoist drum length F - Reeving system: 02-04-06-08
1	VT0002727	Limit switch - To H0426030, Hoist drum length G - Reeving system: 02-04-06-08
1	VT0002728	Limit switch - To H0426030, Hoist drum length H - Reeving system: 02-04-06-08
1	VT0002729	Limit switch - To H0426030, Hoist drum length J - Reeving system: 02-04-06-08
1	VT0002730	Limit switch - To H0426030, Hoist drum length K - Reeving system: 02-04-06-08
1	VT0002733	Limit switch To H0426030, Hoist drum length M - Reeving system: 02-04-06-08
1	VT0002731	Limit switch To H0426030, Hoist drum length M - Reeving system: 02-04-06-08
1	VT0002732	Limit switch - To H0426030, Hoist drum length N - Reeving system: 02-04-06-08

2	VT0002736	Wheel To H0426030, Hoist drum length C-D-E-F-G-H-J - Reeving system: 02-04-06-08
2	VT0002737	Wheel To H0426030, Hoist drum length K-L-M-N - Reeving system: 02-04-06-08
3	VT0002041	Limit switch - To H0426030

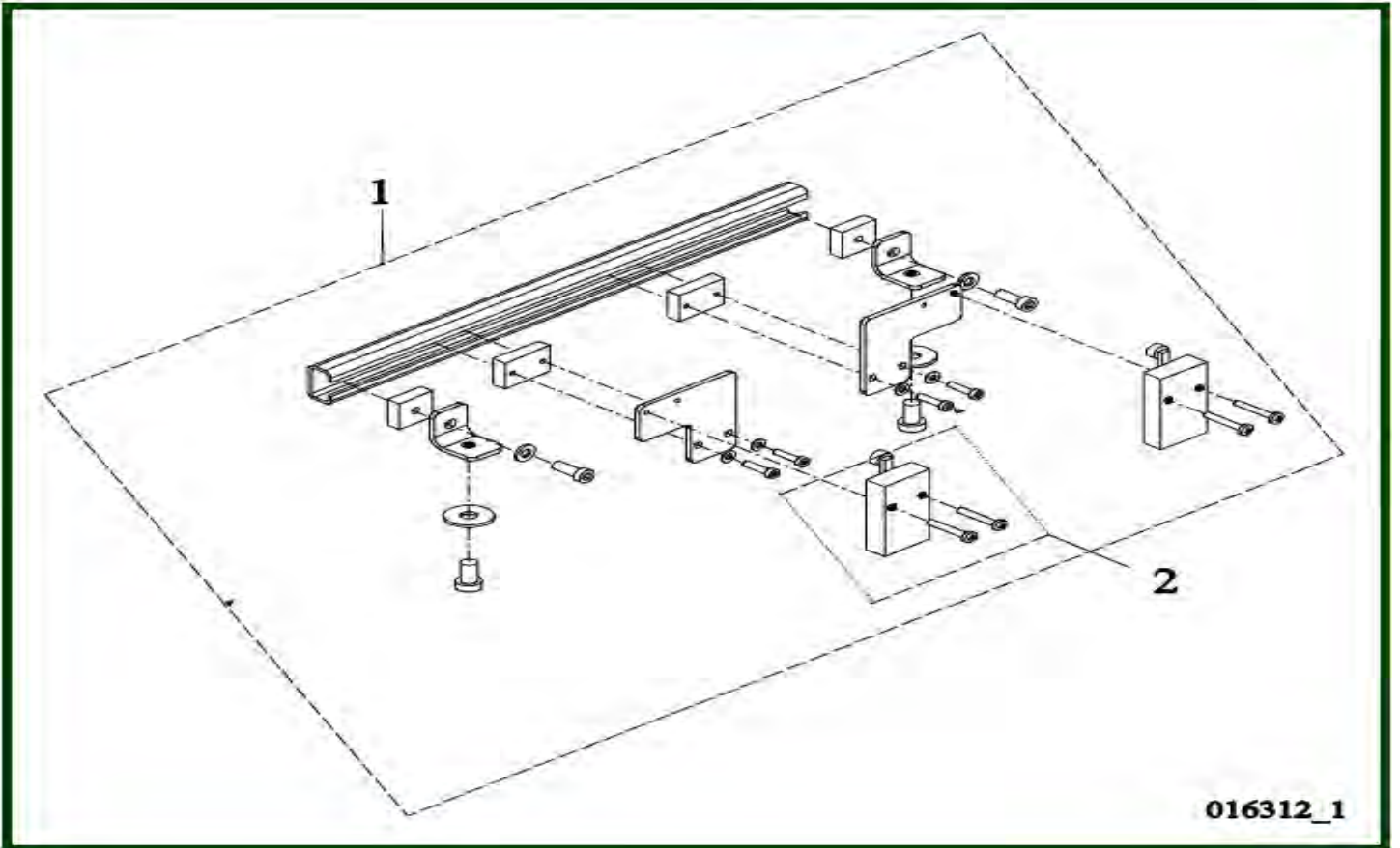
11.3) HAZARDOUS AREAS: D-DCSA-DE - OLD MODEL (To H0426030)



ITEM	REFERENCE	DESCRIPTION
1	VT0002713	Limit switch - To H0426030, Hoist drum length C - Reeving system: 22-24-26-28
1	VT0002714	Limit switch - To H0426030, Hoist drum length E - Reeving system: 22-24-26-28
1	VT0002715	Limit switch - To H0426030, Hoist drum length F - Reeving system: 22-24-26-28
1	VT0002716	Limit switch - To H0426030, Hoist drum length G - Reeving system: 22-24-26-28
1	VT0002717	Limit switch - To H0426030, Hoist drum length H - Reeving system: 22-24-26-28
1	VT0002718	Limit switch - To H0426030, Hoist drum length J - Reeving system: 22-24-26-28
1	VT0002719	Limit switch - To H0426030, Hoist drum length K - Reeving system: 22-24-26-28
1	VT0002720	Limit switch - To H0426030, Hoist drum length L - Reeving system: 22-24-26-28
1	VT0002721	Limit switch To H0426030, Hoist drum length M - Reeving system: 22-24-26-28
1	VT0002722	Limit switch - To H0426030, Hoist drum length N - Reeving system: 22-24-26-28
2	VT0002734	Wheel - To H0426030, Hoist drum length C-D-E-F-G-H-J - Reeving system: 22-24-26-28

2	VT0002735	Wheel To H0426030, Hoist drum length K-L-M-N- Reeving system: 22-24-26-28
3	VT0002041	Limit switch - To H0426030

11.4) HAZARDOUS AREAS: C1D2 - ZONE 1 - ZONE 2



ITEM	REFERENCE	DESCRIPTION
1	VT0003603	Limit switch equipment - From HGY45366, Hoist drum length C
1	VT0003604	Limit switch equipment - From HGY45366, Hoist drum length D
1	VT0003605	Limit switch equipment - From HGY45366, Hoist drum length E
1	VT0003607	Limit switch equipment - From HGY45366, Hoist drum length F
1	VT0003608	Limit switch equipment - From HGY45366, Hoist drum length G
1	VT0003609	Limit switch equipment - From HGY45366, Hoist drum length H
1	VT0003610	Limit switch equipment - From HGY45366, Hoist drum length J
1	VT0003611	Limit switch equipment - From HGY45366, Hoist drum length K
1	VT0003614	Limit switch equipment - From HGY45366, Hoist drum length L
1	VT0003612	Limit switch equipment - From HGY45366, Hoist drum length M
1	VT0003613	Limit switch equipment - From HGY4536, Hoist drum length N
1	VT0003221	Limit switch equipment - To HGY45365, Hoist drum length C
1	VT0003222	Limit switch equipment - To HGY45365, Hoist drum length D

1	VT0003223	Limit switch equipment - To HGY45365, Hoist drum length E
1	VT0003224	Limit switch equipment - To HGY45365, Hoist drum length F
1	VT0003225	Limit switch equipment - To HGY45365, Hoist drum length G
1	VT0003226	Limit switch equipment - To HGY45365, Hoist drum length H
1	VT0003227	Limit switch equipment - To HGY45365, Hoist drum length J
1	VT0003228	Limit switch equipment - To HGY45365, Hoist drum length K
1	VT0003231	Limit switch equipment - To HGY45365, Hoist drum length L
1	VT0003229	Limit switch equipment - To HGY45365, Hoist drum length M
1	VT0003230	Limit switch equipment - To HGY45365, Hoist drum length N
2	VT0002875	Limit switch - From H0426031