

Spare Parts - VT2

To avoid errors, when ordering please specify:

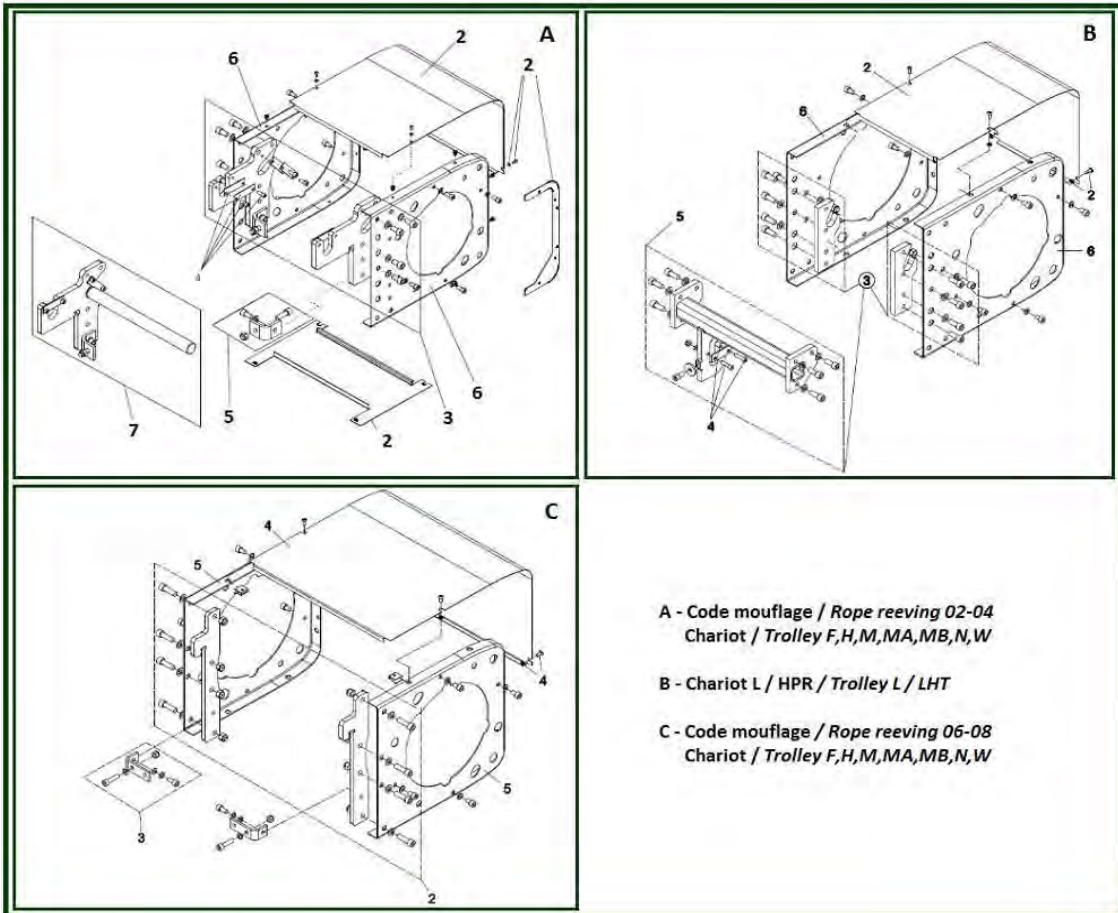
- Complete type of hoist
- Date of manufacture and serial number
- Spare part code
- Spare part designation
- Additional information



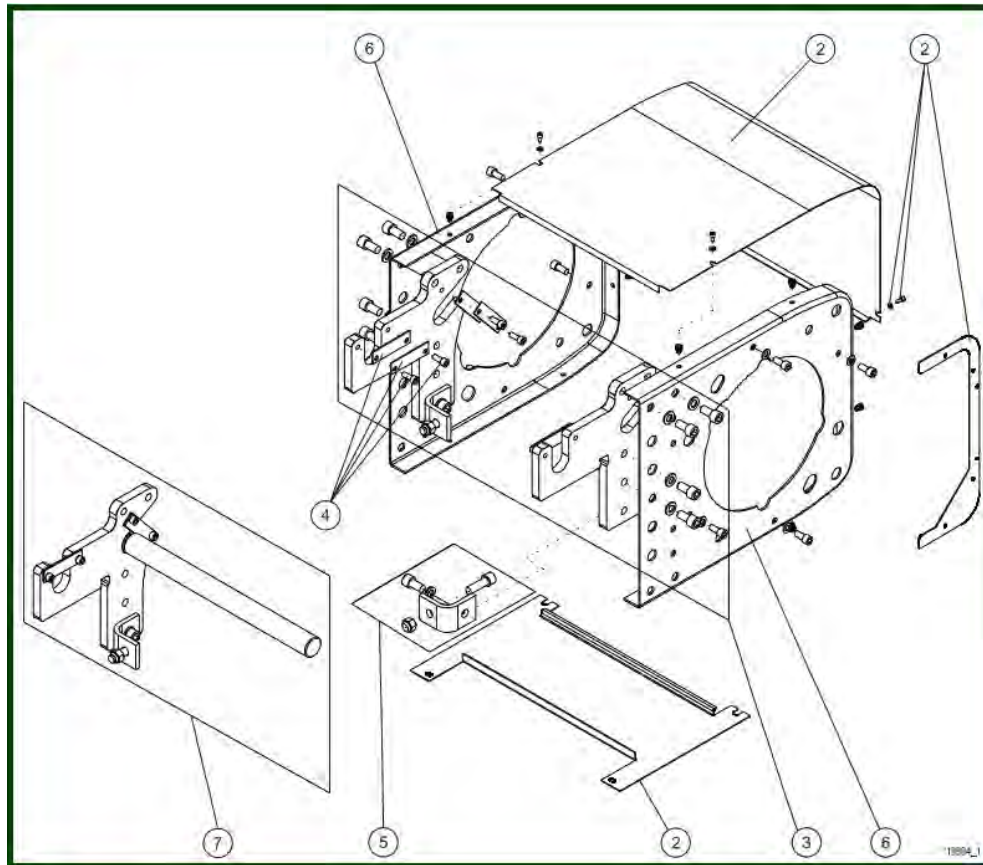
1. FRAME.....	4
1.1. Trolley F-H-M-MA-MB-N-W – 2/1-4/1 (R2-R4).....	5
1.2. Trolley F-H-M-MA-MB-N-W – 6/1-8/1 (R6-R8).....	6
1.3. Trolley L – Low Headroom Trolley (LHT).....	7
1.4. Trolley V	8
2. ROPE DRUM	9
2.1. Precut rope	12
3. GEAR	13
3.1. Second disk brake	15
4. MOTOR	17
4.1. Hoist motor size 1 & 2 – Hoist motor type P & T	18
4.2. Hoist motor size 3 – Hoist motor type P & T	21
4.3. Hoist motor size 4 – Hoist motor type P & T	24
5. ROPE SHEAVE	27
5.1. Reeve A4 & 4/1	27
5.2. Reeve 6/1	29
5.3. Reeve 8/1	30
6. OVERLOAD DEVICE	31
6.1. Reeve A2 & A/4 – Mechanical limit switch & hoist power measurement- Standard	32
6.2. Reeve 2/1 & 4/1 – Mechanical limit switch & hoist power measurement– Standard.....	34
6.3. Reeve 6/1 & 8/1 – Mechanical limit switch & hoist power measurement- Standard	36
6.4. Reeve A2 & A4 – Strain gauge.....	38
6.5. Reeve 2/1 & 4/1 – Strain gauge	39
6.6. Reeve 6/1 & 8/1 – Strain gauge	40
6.7. Reeve 2/1-4/1-6/1-8/1-8/2-12/2-16/2 - Without overload device - Hoist power measurement.....	41
6.8. Reeve 2/1 & 4/1 – Mechanical limit switch & hoist power measurement- Zones C1D2 – ZONE 1 – ZONE 2	42
6.9. Reeve 6/1 & 8/1 – Mechanical limit switch & hoist power measurement - Zones C1D2 – ZONE 1 – ZONE 2	44
7. HOOK	46
7.1. Reeve A2 - RSN hook.....	46
7.2. Reeve 2/1 - RSN hook.....	48
7.3. Reeve A4 - HBC Hook	50
7.4. Reeve 4/1 - HBC Hook	52
7.5. Reeve 4/1 - RSN hook.....	54
7.6. Reeve 4/1 – HBC hook – Load > 5000 kgs	56
7.7. Reeve 4/1 – RSN hook - Load > 5000 kgs	58
7.8. Reeve 6/1 - RSN hook.....	60
7.9. Reeve 8/1 - RSN hook.....	62
8. HOISTING LIMIT SWITCH	64
8.1. Lifting standard	65
8.2. Centred lifting	66
8.3. Hazardous areas : C1D2-ZONE1-ZONE2.....	67

9.	HOOK OPERATED LIMIT SWITCH	68
9.1.	Trolley L – Low Headroom Trolley (LHT) « AUTO » - « MANUAL »	68
9.2.	Trolley F-H-M-MA-MB-N-W – « AUTO » - « MANUAL »	69
10.	CHARIOT L - Low Headroom Trolley (LHT)	70
10.1.	<= 5000 Kgs	71
10.2.	<= 5000 Kgs – Idle side plate	73
10.3.	<= 5000 Kgs – Driving side plate	74
10.4.	> 5000 Kgs – Idle side plate	75
10.5.	> 5000 Kgs – Driving side plate.....	76
10.6.	> 5000 Kgs – Zones C1D2-ZONE1-ZONE2	77
10.7.	> 5000 Kgs – Idle side plate - Zones C1D2-ZONE1-ZONE2.....	79
10.8.	> 5000 Kgs – Driving side plate - Zones C1D2-ZONE1-ZONE2	80
11.	TROLLEY N – Normal Headroom Trolley (NHT)	81
11.1.	Reeve 2/1 – Rope drum B-C – To 2007	81
11.2.	Reeve 2/1 – Rope drum B-C- From 2008	83
11.3.	Reeve 4/1 – Rope drum B-C – To 2007	85
11.4.	Reeve 4/1 – Rope drum B-C – From 2008.....	87
11.5.	Reeve 2/1 & 4/1 – Rope drum D-E – Old model.....	89
11.6.	Reeve 2/1 & 4/1 – Rope drum D-E – New model.....	91
11.7.	Reeve 6/1 & 8/1 – Rope drum D-E – Old model.....	93
11.8.	Reeve 6/1 & 8/1 – Rope drum D-E – New model.....	95
11.9.	Reeve 2/1 - 4/1 - 6/1 - 8/1 – Rope drum D-E – Idle side plate	97
11.10.	Reeve 2/1 - 4/1 - 6/1 - 8/1 – Rope drum D-E – Driving side plate	98
12.	BIRAIL TROLLEY - H-M-MA-W	99
12.1.	Reeve 2/1-4/1	99
12.2.	Reeve 2/1-4/1 – C1D2	100
12.3.	Reeve 6/1-8/1	101
12.4.	BT3-BT4-CT3-CT4-iBT3-iBT4-ICT3-ICT4	102
13.	TRAVELLING MACHINERY	103
13.1.	Standard motor type – Trolley H-M-MA-W.....	103
13.2.	Ex-proof motor type – Trolley H-M-MA-W	105
13.3.	Trolley travel motor size – F06 / MF06	107
13.4.	Trolley travel motor size – F07 / MF07	109
13.5.	Trolley travel gear size 1-2 - Trolley : J-L-N – Short product code : GEK1 – GEK2	111
13.6.	Ex-proof motor side : CSA-D-DCSA-DE – Trolley J-L-N.....	113
14.	ELECTRIC PANEL	114
14.1.	Trolley L – Low Headroom Trolley (LHT)	114
14.2.	Trolley L – Low Headroom Trolley (LHT) – ZONE 1 – ZONE 2	115
14.3.	Trolley L - Low Headroom Trolley (LHT) – C1D2.....	116
14.4.	Trolley N – Normal Headroom Trolley (NHT)	117
14.5.	Trolley N - Normal Headroom Trolley (NHT) – Zone 1 – Old model	118
14.6.	Trolley V	119

1. FRAME

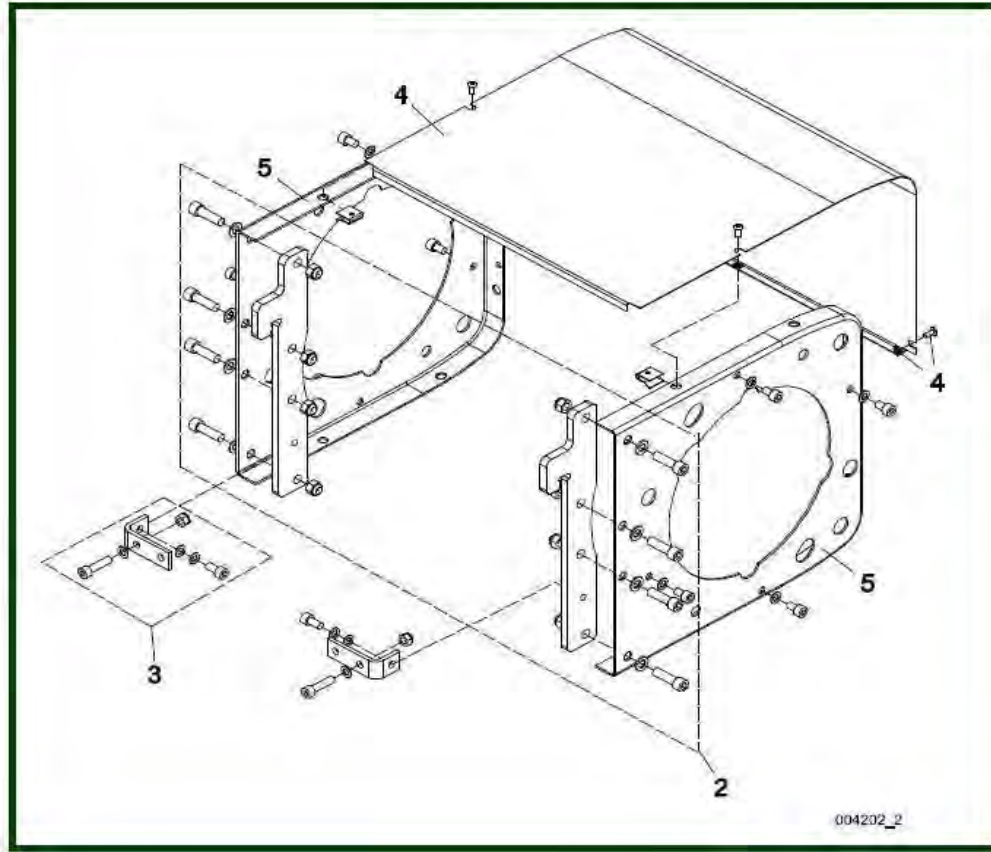


1.1. Trolley F-H-M-MA-MB-N-W – 2/1-4/1 (R2-R4)



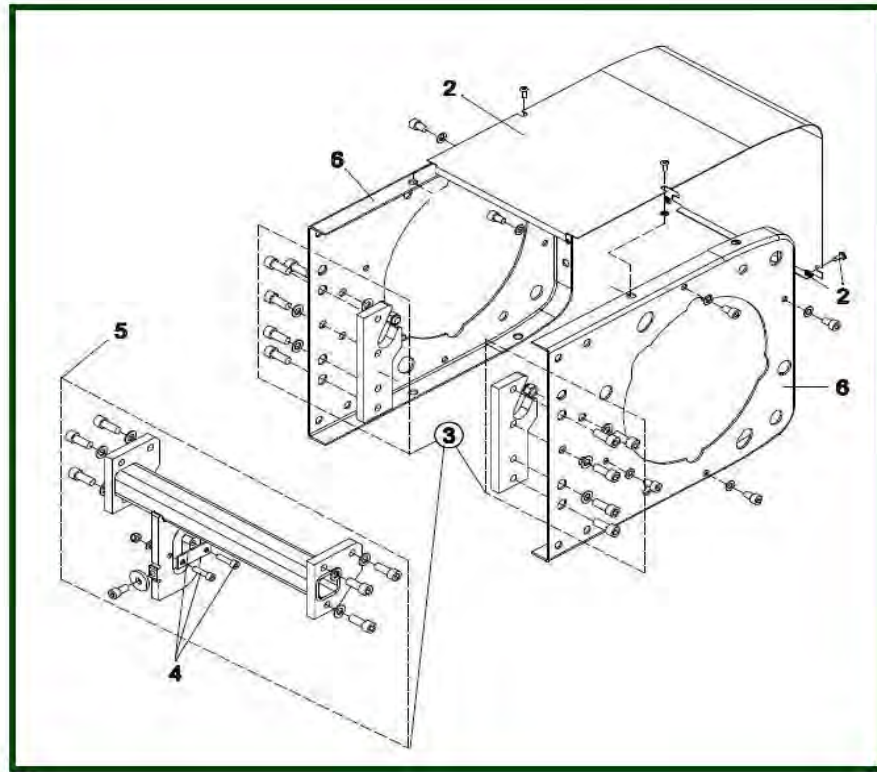
Item	Reference	Description	Observation	Quantity
2	VT0004705	Cover set	Drum length B	1
2	VT0004706	Cover set	Drum length C	1
2	VT0004707	Cover set	Drum length D	1
2	VT0004708	Cover set	Drum length E	1
3	VT0000193	Fixing set	(VT0000191) (VT0000200) (VT0000196) (VT0000190)	1
5	VT0000192	Fastener	Drum length B (VT0000199)	3
6	VT0004669	End plate		2
7	VT0000643	Fixing set	Drum length C-D-E	1

1.2. Trolley F-H-M-MA-MB-N-W – 6/1-8/1 (R6-R8)



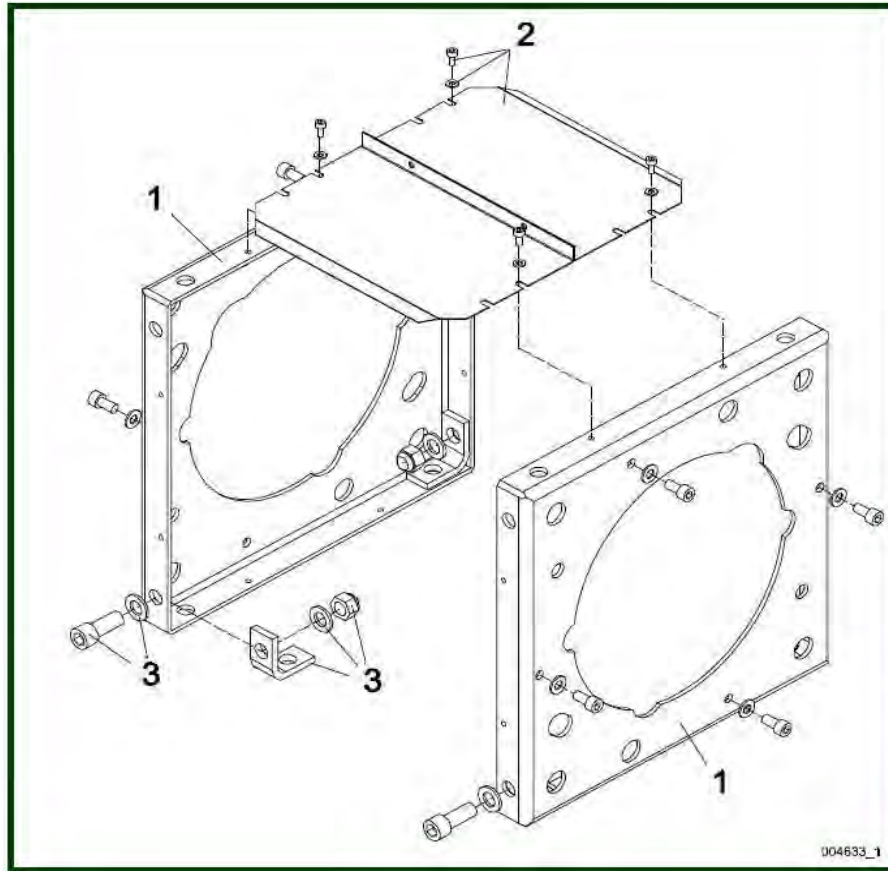
Item	Reference	Description	Observation	Quantity
2	VT0000649	Support		2
3	VT0000650	Fastener		2
4	VT0004705	Cover	Drum length B	1
4	VT0004706	Cover	Drum length C	1
4	VT0004707	Cover	Drum length D	1
4	VT0004708	Cover	Drum length E	1
5	VT0000898	Side plate		2

1.3. Trolley L – Low Headroom Trolley (LHT)



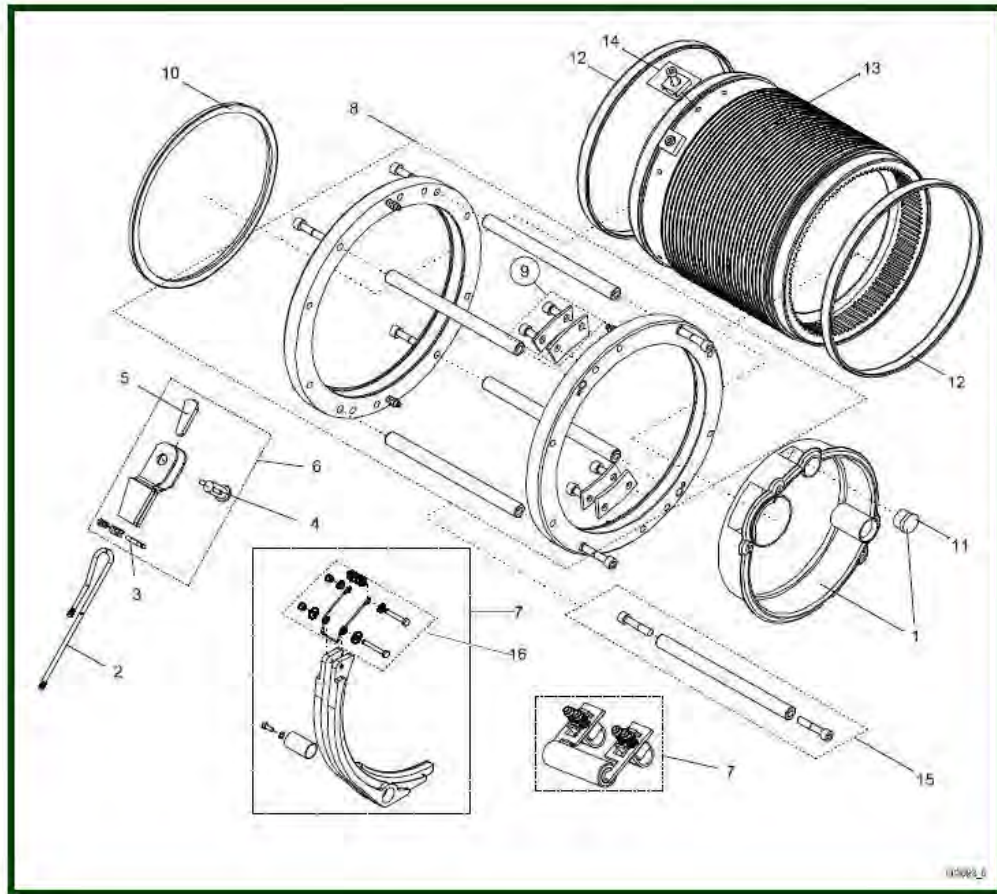
Item	Reference	Description	Observation	Quantity
2	VT0004705	Cover set	Drum length B	1
2	VT0004706	Cover set	Drum length C	1
2	VT0004707	Cover set	Drum length D	1
2	VT0004708	Cover set	Drum length E	1
3	VT0000206	Fixing set	Drum length B	1
3	VT0000205	Fixing set	Drum length C	1
3	VT0000647	Fixing set	Drum length D	1
4	VT0000870	Fixing set	Drum length C & D	1
5	VT0001984	Support	Drum length C	1
5	VT0000884	Support	Drum length D	1
6	VT0004699	End plate	2/1 – 4/1	2
6	VT0000871	End plate	6/1 – 8/1	2

1.4. Trolley V



Item	Reference	Description	Observation	Quantity
1	VT0000905	End plate		2
2	VT0000906	Cover	Drum length B	4
2	VT0000907	Cover	Drum length C	4
2	-	Cover	Drum length D	
2	VT0000908	Cover	Drum length E	4
3	VT0000909	Fixing set		1

2. ROPE DRUM



Rope drum

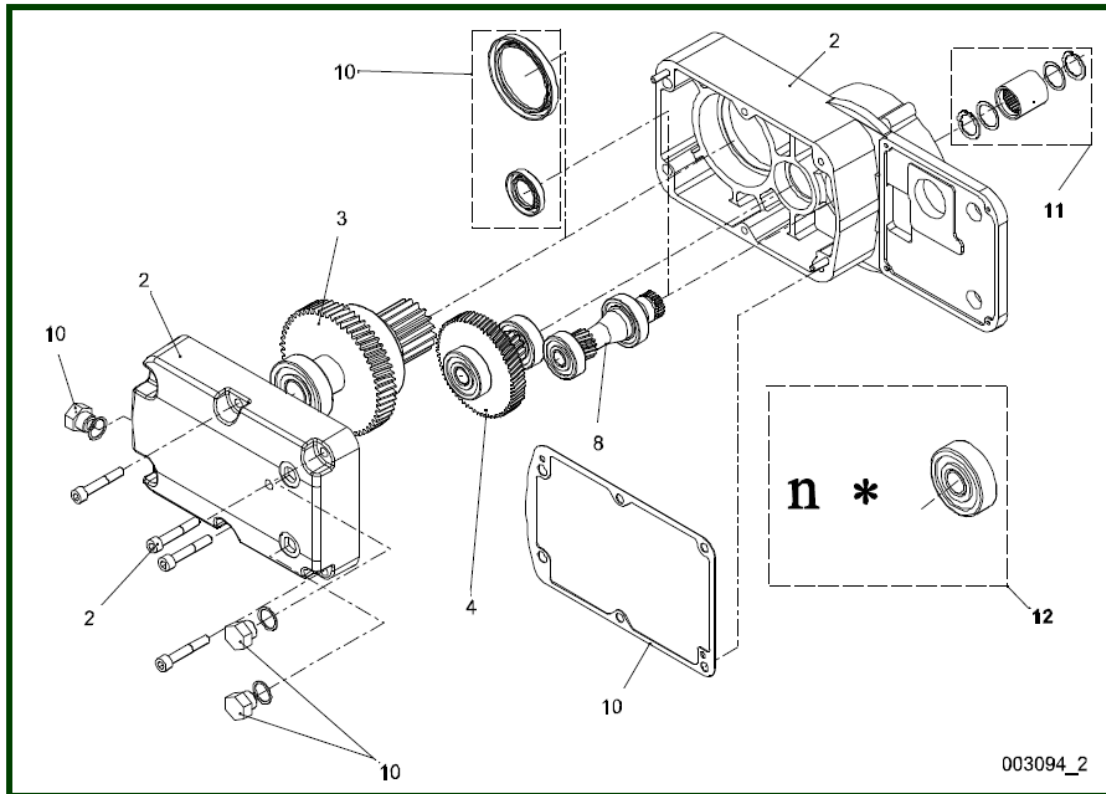
Item	Reference	Description	Observation	Quantity
1	<u>VT0000490</u>	Cover set	(VT0000033)	1
2	<u>VT11020001</u>	Wire rope - \varnothing 6,2mm Left - 8x17	A4 – Trolley V - (VT11020012) No heavy-duty rope	1
2	<u>VT0001695</u>	Wire rope - \varnothing 8,5mm Left - 24x7	<ul style="list-style-type: none"> ▪ Load \leq 1250 Kg - M1 ▪ Load \leq 2500 Kg – 2/1 - Rope drum D-E No heavy-duty rope	1
2	<u>VT0001694</u>	Wire rope - \varnothing 6,7mm Left - 17x7	A2-M2 No heavy-duty rope	1
2	<u>VT0001863</u>	Wire rope - \varnothing 8,5mm Left - 24x7	<ul style="list-style-type: none"> ▪ Load $>$ 1250 Kg – M1 ▪ Load $>$ 2500 Kg – 2/1 - Rope drum D-E No heavy-duty rope	1
2	<u>VT0002575</u>	Wire rope - \varnothing 8 mm Left	6/1-8/1	1
2	<u>VT0003558</u>	Wire rope - \varnothing 8 mm Left	<ul style="list-style-type: none"> ▪ 2/1 - Rope drum B-C ▪ 4/1 (VT0000021) No heavy-duty rope	1
3	<u>VT11020002</u>	Rope clamp - \varnothing 6.5 mm	A2-A4-M2	2
3	<u>VT0000856</u>	Rope clamp - \varnothing 8 mm	2/1-4/1-6/1-8/1-M1 (VT0000022)	2
4	<u>VT0000023</u>	Shaft set	2/1-4/1-6/1-8/1-M1-M2 (VT0000136)	1
4	<u>VT0000806</u>	Shaft set	A2-A4	1
5	<u>VT0000025</u>	Coin	2/1-04-06-08-M1	1
5	<u>VT11020004</u>	Coin	A2-A4-M2	1
6	<u>VT0000027</u>	Complete wedge housing	2/1-4/1-6/1-8/1-M1	1
6	<u>VT0000807</u>	Complete wedge housing	A2-A4-M2	1
7	<u>VT0000028</u>	Rope guide	2/1-4/1-6/1-8/1	1
7	<u>VT0001738</u>	Rope guide	2/1-4/1 (A2-A4)	1
7	<u>VT0000478</u>	Roller; Pressure roller	M1 - Rope drum B - Trolley V	1
7	<u>VT0000448</u>	Roller; Pressure roller	M1 - Rope drum C - Trolley V	1
7	<u>VT0000479</u>	Roller; Pressure roller	M1 - Rope drum D	1
7	<u>VT0000480</u>	Roller; Pressure roller	M1 - Rope drum E	1
7	<u>VT0000481</u>	Roller; Pressure roller	M2 - Rope drum B	1
7	<u>VT0000449</u>	Roller; Pressure roller	M2 - Rope drum C - Trolley V	1
7	<u>VT0000482</u>	Roller; Pressure roller	M2 - Rope drum D	1
7	<u>VT0000483</u>	Roller; Pressure roller	M2 - Rope drum E	1
8	<u>VT0000487</u>	Frame	Drum length B	1
8	<u>VT0000488</u>	Frame	Drum length D - (VT0000485)	1

8	<u>VT0000489</u>	Frame	Drum length E - (VT0000486)	1
9	<u>VT0000031</u>	Fixing set		1
10	<u>VT0000032</u>	Sealing set		1
11	<u>VT11020008</u>	Capsule		2
12	<u>VT0000491</u>	Bearing set	(VT0000034)	2
13	<u>VT0000036</u>	Rope drum	<ul style="list-style-type: none"> ▪ M1 - Rope drum B - Trolley V ▪ 2/1-4/1-6/1-8/1 - Rope drum B Trolley A-B-F-H-L-M-MA-MB-N-W	1
13	<u>VT0000037</u>	Rope drum	<ul style="list-style-type: none"> ▪ M1 - Rope drum C - Trolley V ▪ 2/1-04-06-08 - Rope drum C Trolley A-B-F-H-L-M-MA-MB-N-W	1
13	<u>VT0001864</u>	Rope drum	<ul style="list-style-type: none"> ▪ M1 - Rope drum D - Trolley V ▪ 2/1-04-06-08 - Rope drum D - Trolley A-B-F-H-L-M-MA-MB-N-W	1
13	<u>VT0001865</u>	Rope drum	<ul style="list-style-type: none"> ▪ M1 - Rope drum E - Trolley V ▪ 2/1-04-06-08 - Rope drum E Trolley A-B-F-H-L-M-MA-MB-N-W	1
13	<u>VT0001866</u>	Rope drum	<ul style="list-style-type: none"> ▪ M2 - Rope drum B - Trolley V 	1
13	<u>VT0001867</u>	Rope drum	<ul style="list-style-type: none"> ▪ M2 - Rope drum C - Trolley V 	1
13	<u>VT0001868</u>	Rope drum	<ul style="list-style-type: none"> ▪ M2 - Rope drum D - Trolley V 	1
13	<u>VT0001869</u>	Rope drum	<ul style="list-style-type: none"> ▪ M2 - Rope drum E - Trolley V 	1
13	<u>VT0001870</u>	Rope drum	<ul style="list-style-type: none"> ▪ A2-A4 - Rope drum C Trolley A-B-F-H-L-M-MA-MB-N-W	1
13	<u>VT0001871</u>	Rope drum	<ul style="list-style-type: none"> ▪ A2-A4 - Rope drum D Trolley A-B-F-H-L-M-MA-MB-N-W	1
13	<u>VT0001872</u>	Rope drum	<ul style="list-style-type: none"> ▪ A2-A4 - Rope drum E Trolley A-B-F-H-L-M-MA-MB-N-W	1
14	<u>VT13020004</u>	Rope clamp	(VT0000038-VT0000494-VT0000492-VT0000452)	3
15	<u>VT0000424</u>	Shaft set	Rope drum B	1
15	<u>VT0000420</u>	Shaft set	Rope drum C	1
15	<u>VT0000495</u>	Shaft set	Rope drum D (VT0002310)	1
15	<u>VT0000496</u>	Shaft set	Rope drum E	1

2.1. Precut rope

Item	Reference	Description	Observation	Quantity
	<u>53058954</u>	Wire rope - \varnothing 8 mm Left 8x19 – R=65.7KN	30 m	1
	<u>VT0003566</u>	Wire rope - \varnothing 8 mm Left 8x19 – R=65.7KN	31 m	1
	<u>53058960</u>	Wire rope - \varnothing 8 mm Left 8x19 – R=65.7KN	43 m	1
	<u>53058962</u>	Wire rope - \varnothing 8 mm Left 8x19 – R=65.7KN	46 m	1
	<u>53059010</u>	Wire rope - \varnothing 8 mm Left 8 x19 – R=65.7KN	55 m	1
	<u>53059024</u>	Wire rope - \varnothing 8 mm Left 8 x19	56 m	1

3. GEAR

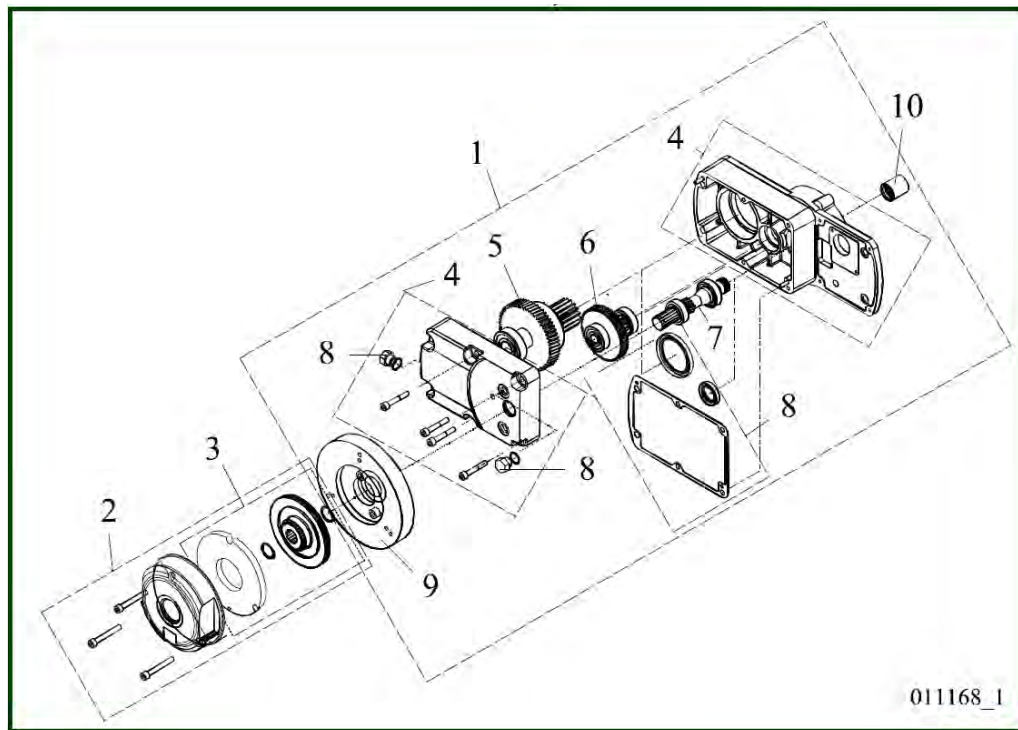


003094_2

Gear

Item	Reference	Description	Observation	Quantity
1	VT0000592	Gear	Hoisting gear type E - (VT0000593)	1
1	VT0000594	Gear	Hoisting gear type F - (VT0000595)	1
1	VT0000596	Gear	Hoisting gear type G - (VT0000597)	1
1	VT0000598	Gear	Hoisting gear type H - (VT0000599)	1
2	VT0000209	Gear Housing	Hoisting gear type E & F	1
2	VT0000210	Gear Housing	Hoisting gear type G & H	1
3	VT0000212	Shaft set	Hoisting gear type E & G	1
3	VT0000211	Shaft set	Hoisting gear type F & H	1
4	VT13030402	Shaft set	Hoisting gear type E	1
4	VT13030502	Shaft set	Hoisting gear type F	1
4	VT13030802	Shaft set	Hoisting gear type G	1
4	VT13030602	Shaft set	Hoisting gear type G	1
8	VT13034502	Shaft set	Hoisting gear type E & F	1
9	VT0000213	Shaft set	Hoisting gear type G & H	1
10	VT0002028	Sealings set	Hoisting gear type E & F - (VT0000214)	1
10	VT0002029	Sealings set	Hoisting gear type G & H - (VT0000215)	1
11	VT0000216	Coupling	Hoisting gear type G & H	1
11	VT11030001	Coupling	Hoisting gear type E & F	1
12	VT0001873	Bearing set		1

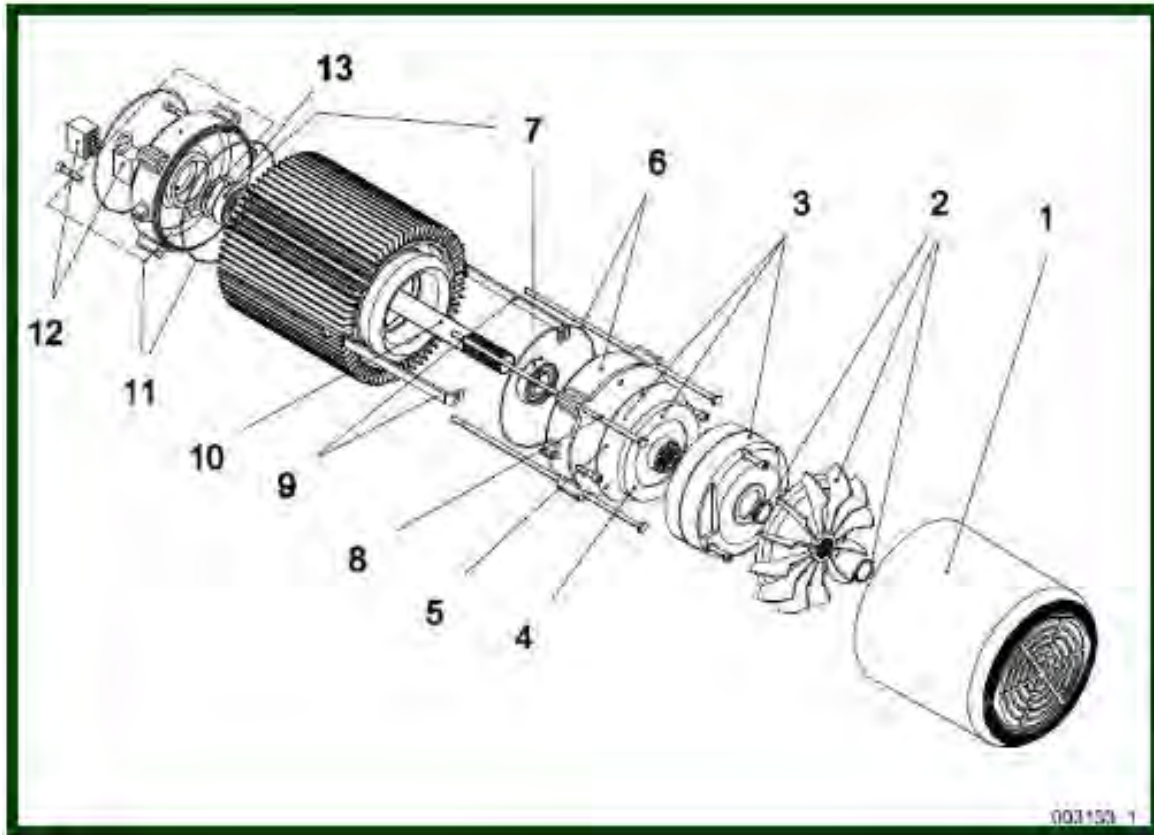
3.1. Second disk brake



Second disk brake

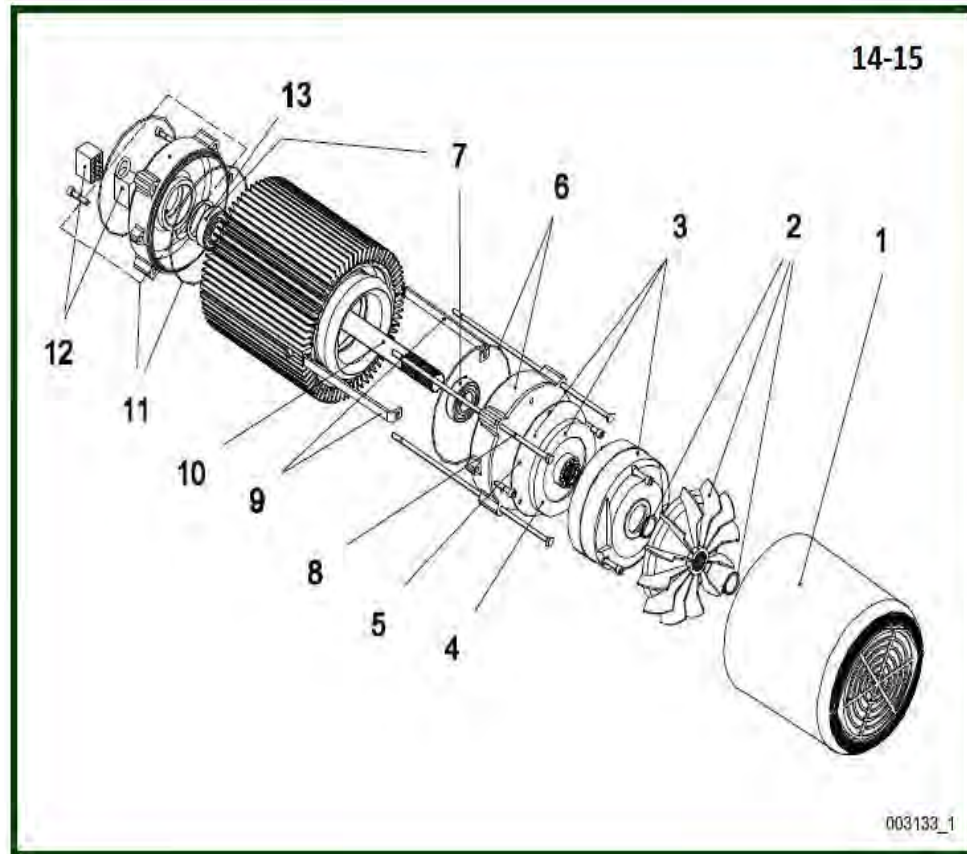
Item	Reference	Description	Observation	Quantity
1	<u>VT0002525</u>	Gear E		1
1	<u>VT0002526</u>	Gear F		1
1	<u>VT0002527</u>	Gear G		1
1	<u>VT0002528</u>	Gear H		1
2	<u>VT0003470</u>	Brake	200V 300V (VT0002515)	1
2	<u>VT0003467</u>	Brake	346V 480V (VT0002512)	1
2	<u>VT0003468</u>	Brake	500V 600V (VT0002513)	1
2	<u>VT0003469</u>	Brake	660V 690V (VT0002514)	1
3	<u>VT0003524</u>	Brake disc set	(VT0002667)	1
4	<u>VT0002529</u>	Gear housing	Hoisting gear type E - F	1
4	<u>VT0002530</u>	Gear housing	Hoisting gear type G - H	1
5	<u>VT0004531</u>	Shaft set	Hoisting gear type E - G	1
5	<u>VT0000212</u>	Shaft set	Hoisting gear type E - G	1
5	<u>VT0000211</u>	Shaft set	Hoisting gear type F - H	1
6	<u>VT13030402</u>	Shaft set	Hoisting gear type E	1
6	<u>VT13030502</u>	Shaft set	Hoisting gear type F	1
6	<u>VT13030802</u>	Shaft set	Hoisting gear type G	1
6	<u>VT13030602</u>	Shaft set	Hoisting gear type G	1
7	<u>VT0002531</u>	Shaft set		1
8	<u>VT0002533</u>	Sealing seat	Hoisting gear type E - F	1
8	<u>VT0002534</u>	Sealing seat	Hoisting gear type G - H	1
9	-	Plaque de fixation	Consult us	
10	<u>VT0000216</u>	Coupling	Hoisting gear type G - H	1
10	<u>VT11030001</u>	Coupling	Hoisting gear type E - F	1

4. MOTOR



4.1. Hoist motor size 1 & 2 – Hoist motor type P & T

When ordering motors, please specify motor serial number



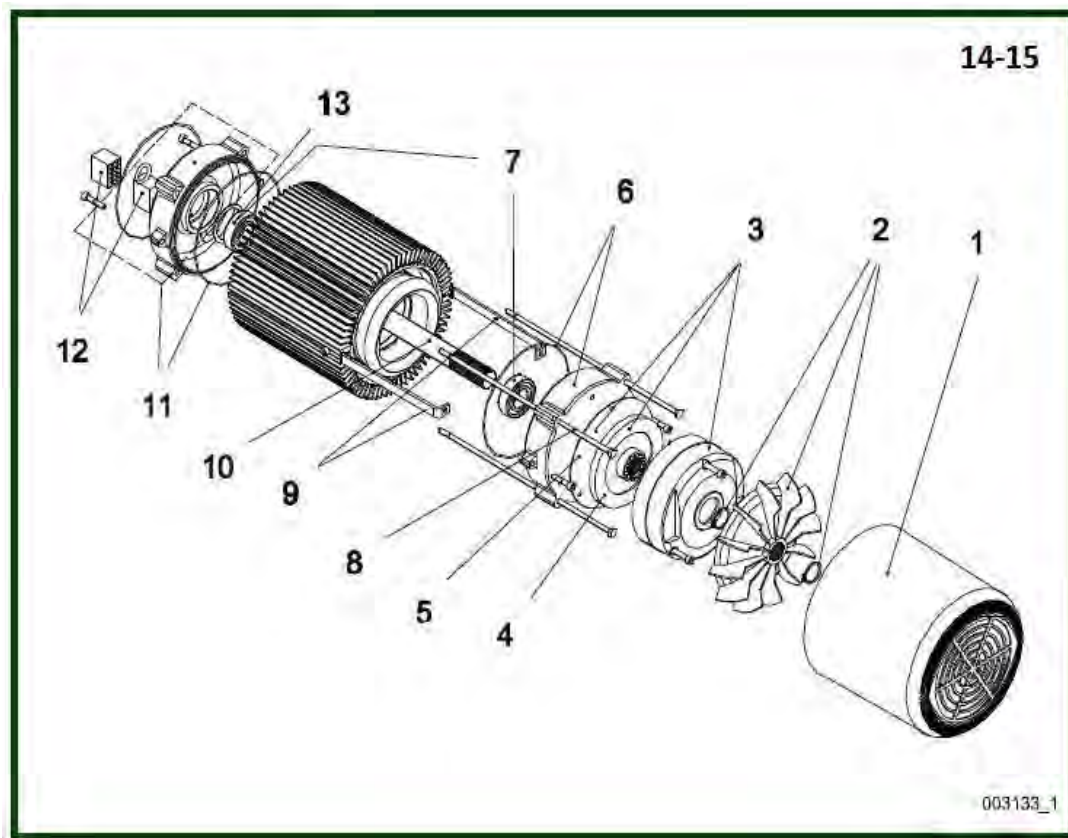
Hoist motor size 1 & 2 – Hoist motor type P & T

Item	Reference	Description	Observation	Quantity
1	<u>VT0002298</u>	Cover		1
1	<u>VT0000629</u>	Cover	(VT11040001-VT0000217)	1
2	<u>VT11040002</u>	Fan		1
3	<u>VT14041001</u>	Brake - 200/240V	(VT0002863)	1
3	<u>VT14041801</u>	Brake - 346/480V	(VT0002840)	1
3	<u>VT14042401</u>	Brake - 500/600V	(VT0002848)	1
3	<u>VT14042901</u>	Brake - 660/690V	(VT0002857)	1
4	<u>VT11040003</u>	Brake disk		1
5	<u>VT0000630</u>	Friction disc	(VT11040004)	1
6	<u>VT0000632</u>	Flange	(VT11040007-VT11040007)	1
7	<u>VT13040001</u>	Bearing set	T	1
8	<u>VT13040181</u>	Screw set	T1	1
8	<u>VT13040361</u>	Screw set	Hoist motor size 2	1
9	<u>VT11040006</u>	Support		1
10	<u>VT13040182</u>	Shaft set	P1	1
10	<u>VT13040362</u>	Shaft set	P2	1
10	<u>VT0000067</u>	Shaft set	T	1
11	<u>VT0000051</u>	Flange	(VT11040005 VT11040007)	1
12	<u>VT0001784</u>	Plug	(VT14040001 - VT0000631)	1
13	<u>VT0000069</u>	Sensor	T	1
14	<u>VT0001875</u>	Motor	T1	1
14	<u>VT0001876</u>	Motor	T2	1
14	<u>VT0001874</u>	Motor 208/230V 60Hz	P2 Mechanical limit switch Without overload device Strain gauge	1
14	<u>VT0001704</u>	Motor 220/240V 50Hz	P1 Mechanical limit switch Without overload device Strain gauge	1
14	<u>VT0001705</u>	Motor 220/240V 50Hz	P2 Mechanical limit switch Without overload device Strain gauge	1
14	<u>VT14041811</u>	Motor 380/415V 50Hz 440/480V 60Hz	P1 Mechanical limit switch Without overload device Strain gauge	1

14	<u>VT14041831</u>	Motor 380/415V 50Hz 440/480V 60Hz	P2 Mechanical limit switch Without overload device Strain gauge	1
14	<u>VT0000039</u>	Motor 500/525V 50Hz 550/600V 60Hz	P1 Mechanical limit switch Without overload device Strain gauge	1
14	<u>VT0000040</u>	Motor 500/525V 50Hz 550/600V 60Hz	P2 Mechanical limit switch Without overload device Strain gauge	1
15	<u>VT0002115</u>	Motor 208/230V 60Hz	P1 Mechanical limit switch Hoist power measurement	1
15	<u>VT0002118</u>	Motor 208/230V 60Hz	P2 Mechanical limit switch Hoist power measurement	1
15	<u>VT0002114</u>	Motor 220/240V 50Hz	P1 Mechanical limit switch Hoist power measurement	1
15	<u>VT0002117</u>	Motor 220/240V 50Hz	P2 Mechanical limit switch Hoist power measurement	1
15	<u>VT0002113</u>	Motor 380/415V 50Hz 440/480 60Hz	P1 Mechanical limit switch Hoist power measurement	1
15	<u>VT0002112</u>	Motor 380/415V 50Hz 440/480V 60Hz	P2 Mechanical limit switch Hoist power measurement	1
15	<u>VT0002116</u>	Motor 500/525V 50Hz 550/600V 60Hz	P1 Mechanical limit switch Hoist power measurement	1
15	<u>VT0002119</u>	Motor 500/525V 50Hz 550/600V 60Hz	P2 Mechanical limit switch Hoist power measurement	1

4.2. Hoist motor size 3 – Hoist motor type P & T

When ordering motors, please specify motor serial number



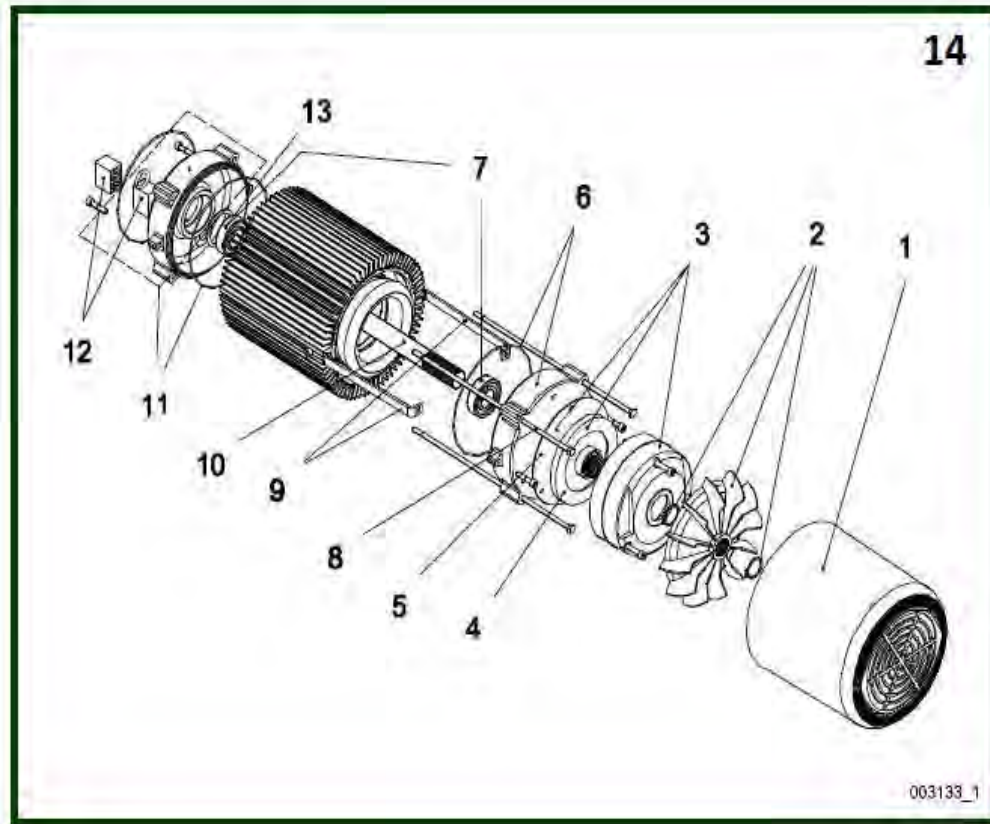
Hoist motor size 3 – Hoist motor type P & T

Item	Reference	Description	Observation	Quantity
1	<u>VT0002298</u>	Cover		1
1	<u>VT0000629</u>	Cover	(VT11040001-VT0000217)	1
2	<u>VT11040002</u>	Fan		1
3	<u>VT0000046</u>	Brake 100VDC	For motor 230V - (VT0002864)	1
3	<u>VT0000042</u>	Brake 180VDC	For motor 380 to 480V - (VT0002844)	1
3	<u>VT0000043</u>	Brake 240VDC	For motor 500 to 575V - (VT0002849)	1
3	<u>VT0000045</u>	Brake 320VDC	For motor 690V	1
4	<u>VT0000048</u>	Brake disk		1
5	<u>VT0000633</u>	Friction disc	(VT0000050)	1
6	<u>VT0000068</u>	Flange		1
7	<u>VT0000055</u>	Bearing set	T - M10-079V	1
7	<u>VT13040001</u>	Bearing set	T - M10-074V	1
8	<u>VT13040181</u>	Screw set	Hoist motor size 1	1
8	<u>VT0000058</u>	Screw set	P (VT0000061)	1
9	<u>VT11040006</u>	Support		1
10	<u>VT0000064</u>	Shaft set	T - M10-078V	1
10	<u>VT0000067</u>	Shaft set	T - M10-080V	1
11	<u>VT0000051</u>	Flange	(VT11040005 VT11040007)	1
12	<u>VT0001784</u>	Plug	(VT14040001 - VT0000631)	1
13	<u>VT0000069</u>	Sensor	T	1
14	<u>VT0001877</u>	Complete motor 208/230V 60Hz	P Mechanical limit switch Without overload device Strain gauge	1
14	<u>VT0000076</u>	Complete motor 220/240V 50Hz	P Mechanical limit switch Without overload device Strain gauge	1
14	<u>VT0000075</u>	Complete motor 380/415V 50Hz 440/480V 60Hz	P Mechanical limit switch Without overload device Strain gauge	1
14	<u>VT0000075</u>	Complete motor 380/415V 50Hz 440/480V 60Hz	P Mechanical limit switch Without overload device Strain gauge	1

14	<u>VT0000077</u>	Complete motor 500/525V 50Hz 550/600V 60Hz	P Mechanical limit switch Without overload device Strain gauge	1
15	<u>VT0002121</u>	Complete motor 208/230V 60Hz	P Mechanical limit switch Hoist power measurement	1
15	<u>VT0002122</u>	Complete motor 220/240V 50Hz	P Mechanical limit switch Hoist power measurement	1
15	<u>VT0002123</u>	Complete motor 380/415V 50Hz 440/480V 60Hz	P Mechanical limit switch Hoist power measurement	1
15	<u>VT0002120</u>	Complete motor 500/525V 50Hz 550/600V 60Hz	P Mechanical limit switch Hoist power measurement	1

4.3. Hoist motor size 4 – Hoist motor type P & T

When ordering motors, please specify motor serial number



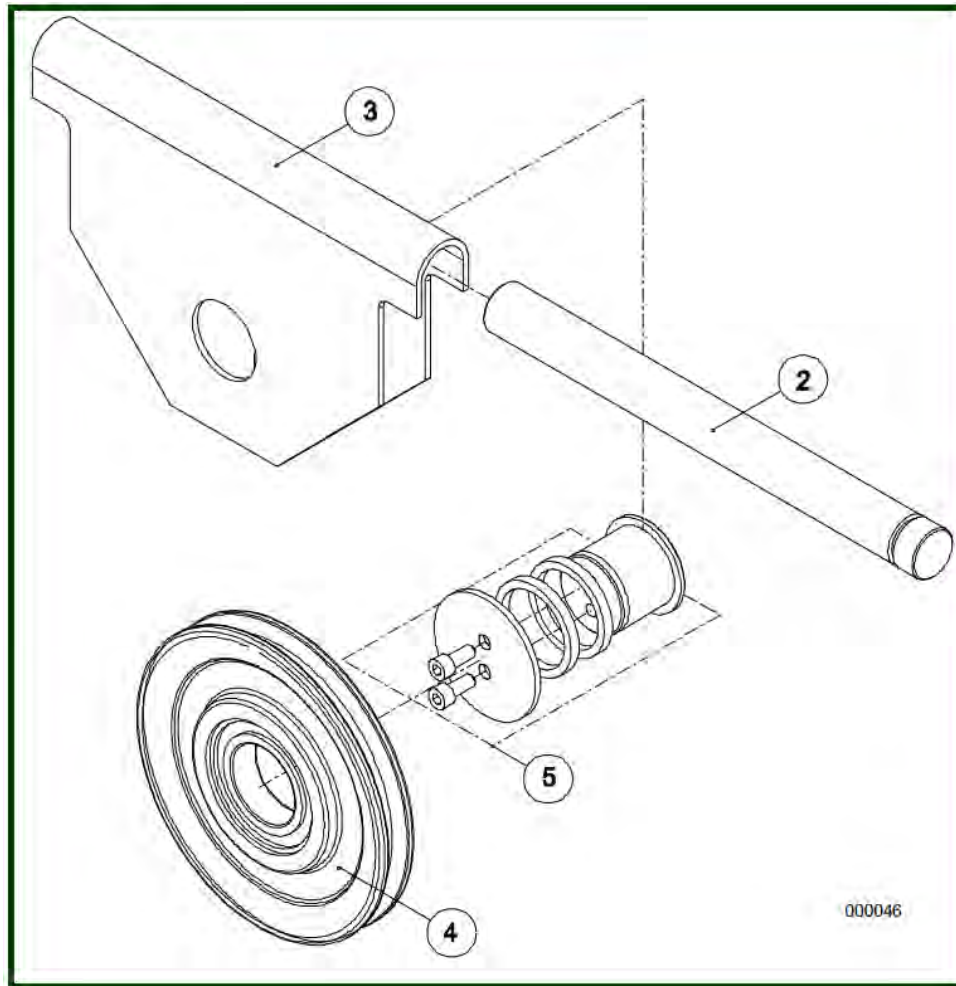
Hoist motor size 4 – Hoist motor type P & T

Item	Reference	Description	Observation	Quantity
1	<u>VT0002318</u>	Cover		1
1	<u>VT0000218</u>	Cover	(VT0000078)	1
2	<u>VT0000079</u>	Fan		1
3	<u>VT0000085</u>	Brake disk		1
3	<u>VT0000082</u>	Brake 380/480V	P4 - (VT0002843)	1
3	<u>VT0000083</u>	Brake 500/600V	VT0002850	1
3	<u>VT0000084</u>	Brake 660/690V	VT0002858	1
4	<u>VT0000086</u>	Brake disc set	Rope drum H-J-Z	1
5	<u>VT0000089</u>	Friction disc	P - (VT0000087)	1
6	<u>VT0000098</u>	Flange	(VT0002307)	1
7	<u>VT0000091</u>	Bearing set	P	1
7	<u>VT0000092</u>	Bearing set	T	1
8	<u>VT0000093</u>	Screw set	P - (VT0004729)	1
8	<u>VT0000094</u>	Screw set	T	1
9	<u>VT11040006</u>	Support		1
10	<u>VT0000095</u>	Shaft set	P	1
10	<u>VT0000096</u>	Shaft set	T	1
11	<u>VT0000090</u>	Flange		1
12	<u>VT0000631</u>	Plug		1
13	<u>VT0000099</u>	Bearing set	T	1
14	<u>VT0001879</u>	Motor 208/230V 60Hz	P4 Mechanical limit switch Without overload device Strain gauge	1
14	<u>VT0002126</u>	Motor 208/230V 60Hz	P4 Mechanical limit switch Hoist power measurement	1
14	<u>VT0000101</u>	Motor 220/240V 50Hz	P4 Mechanical limit switch Without overload device Strain gauge	1
14	<u>VT0002127</u>	Motor 220/240V 50Hz	P4 Mechanical limit switch Hoist power measurement	1
14	<u>VT0000100</u>	Motor 380/415V 50Hz 440/480V 60Hz	P4 Mechanical limit switch Without overload device Strain gauge	1

14	<u>VT0002128</u>	Motor 380/415V 50Hz 440/480V 60Hz	P4 Mechanical limit switch Hoist power measurement	1
14	<u>VT0000102</u>	Motor 500/525V 50Hz 550/600V 60Hz	P4 Mechanical limit switch Without overload device Strain gauge	1
14	<u>VT0002125</u>	Motor 500/525V 50Hz 500/600V 60 Hz	P4 Mechanical limit switch Hoist power measurement	1
14	<u>VT0001882</u>	Motor	T4	1

5. ROPE SHEAVE

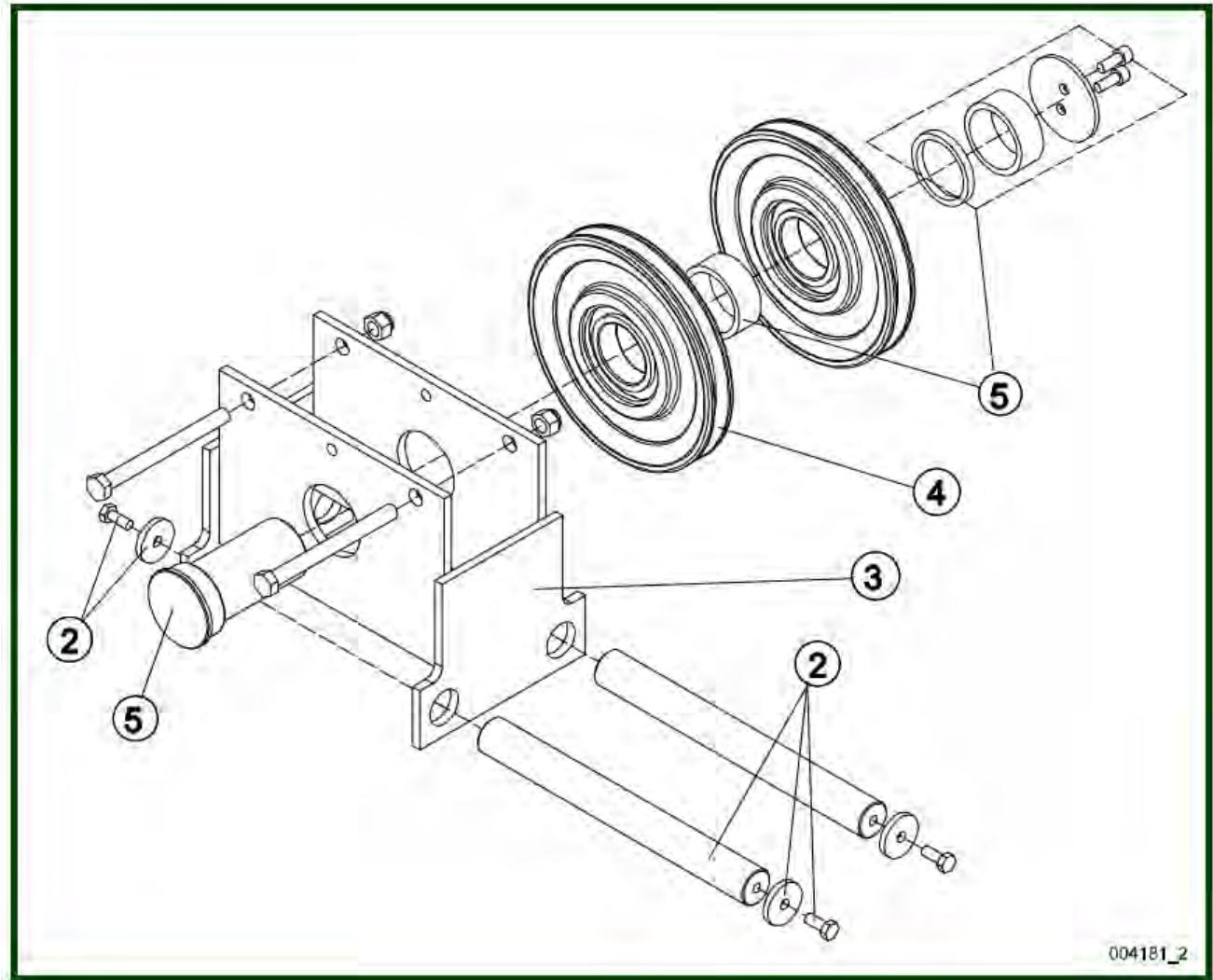
5.1. Reeve A4 & 4/1



Reeve A4 & 4/1

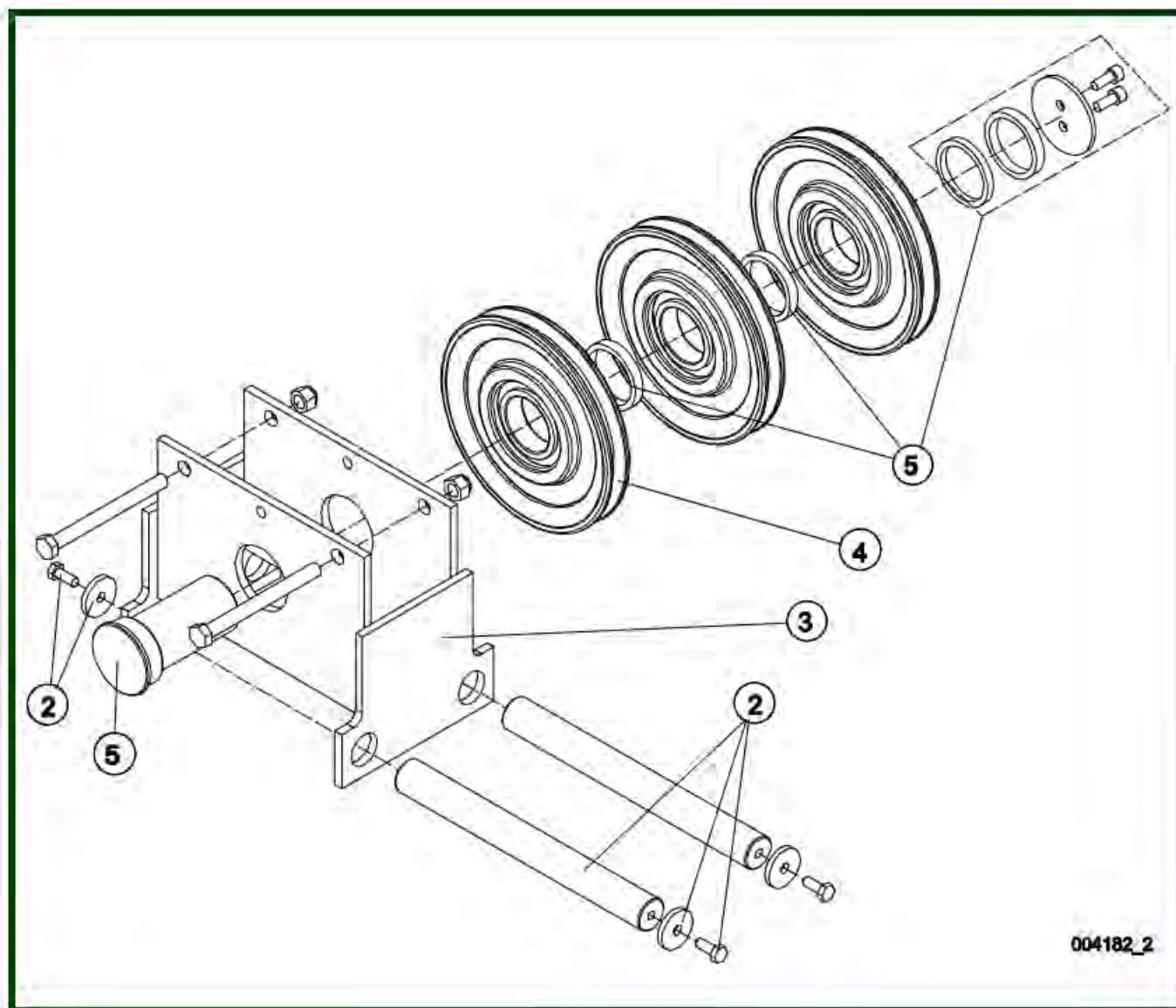
Item	Reference	Description	Observation	Quantity
1	<u>VT0001782</u>	Beam; Support beam	4/1 - (VT0000221)	1
1	<u>VT0002353</u>	Beam; Support beam	A4	1
2	<u>VT0000132</u>	Shaft	4/1	1
2	<u>VT0002354</u>	Shaft	A4	1
3	<u>VT0000222</u>	Sheave support		1
4	<u>VT0000133</u>	Sheave, rope sheave - Ø 180	4/1 VT0000805-VT0000803-VT0000804	1
4	<u>VT0000727</u>	Sheave, rope sheave - Ø 146	A4	1
5	<u>VT0000134</u>	Shaft set	4/1	1
5	<u>VT13054103</u>	Shaft set	A4	1

5.2. Reeve 6/1



Item	Reference	Description	Observation	Quantity
1	VT0000753	Sheave, rope sheave	6/1	1
2	VT0000692	Shaft set		1
3	VT0000693	Support		1
4	VT0000133	Sheave, rope sheave	VT0000805-VT0000803 VT0000804	3
5	VT0000694	Sleeve set		1

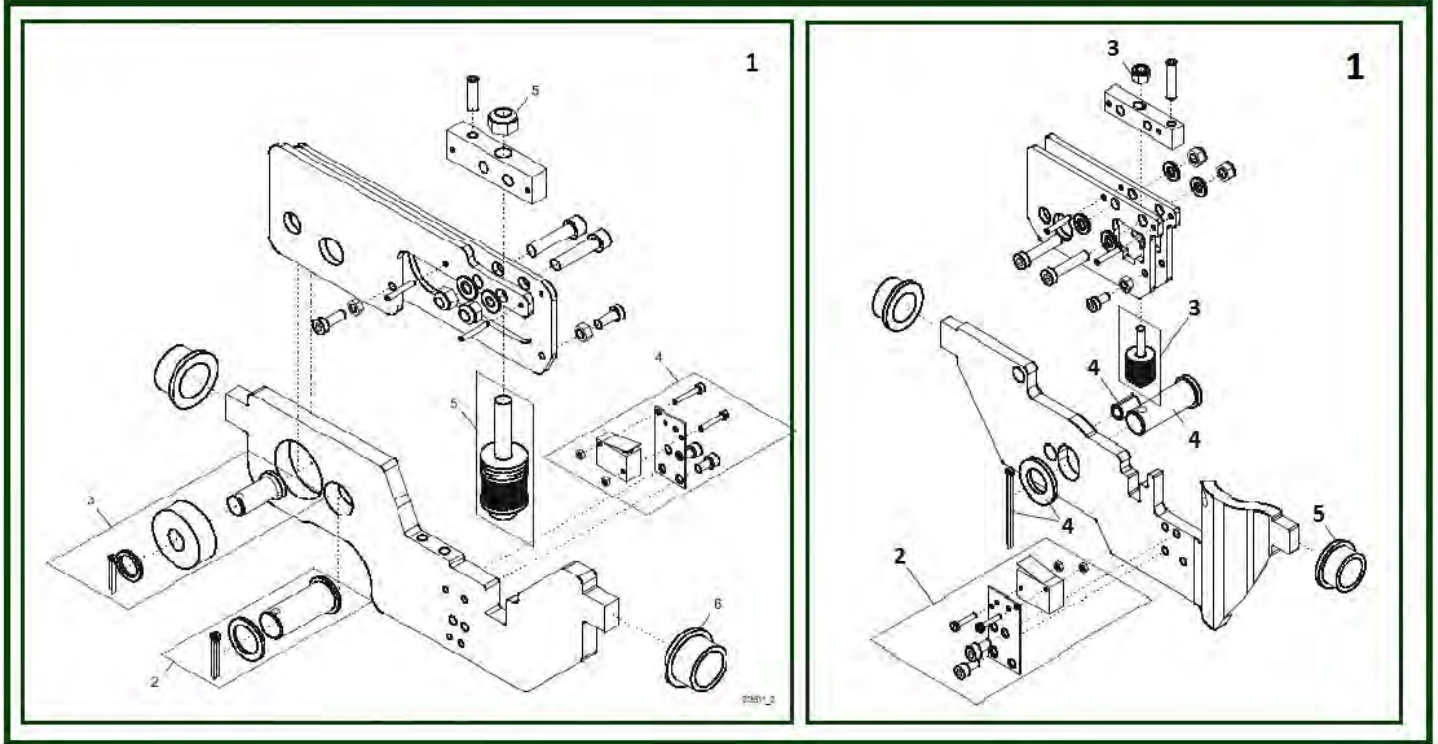
5.3. Reeve 8/1



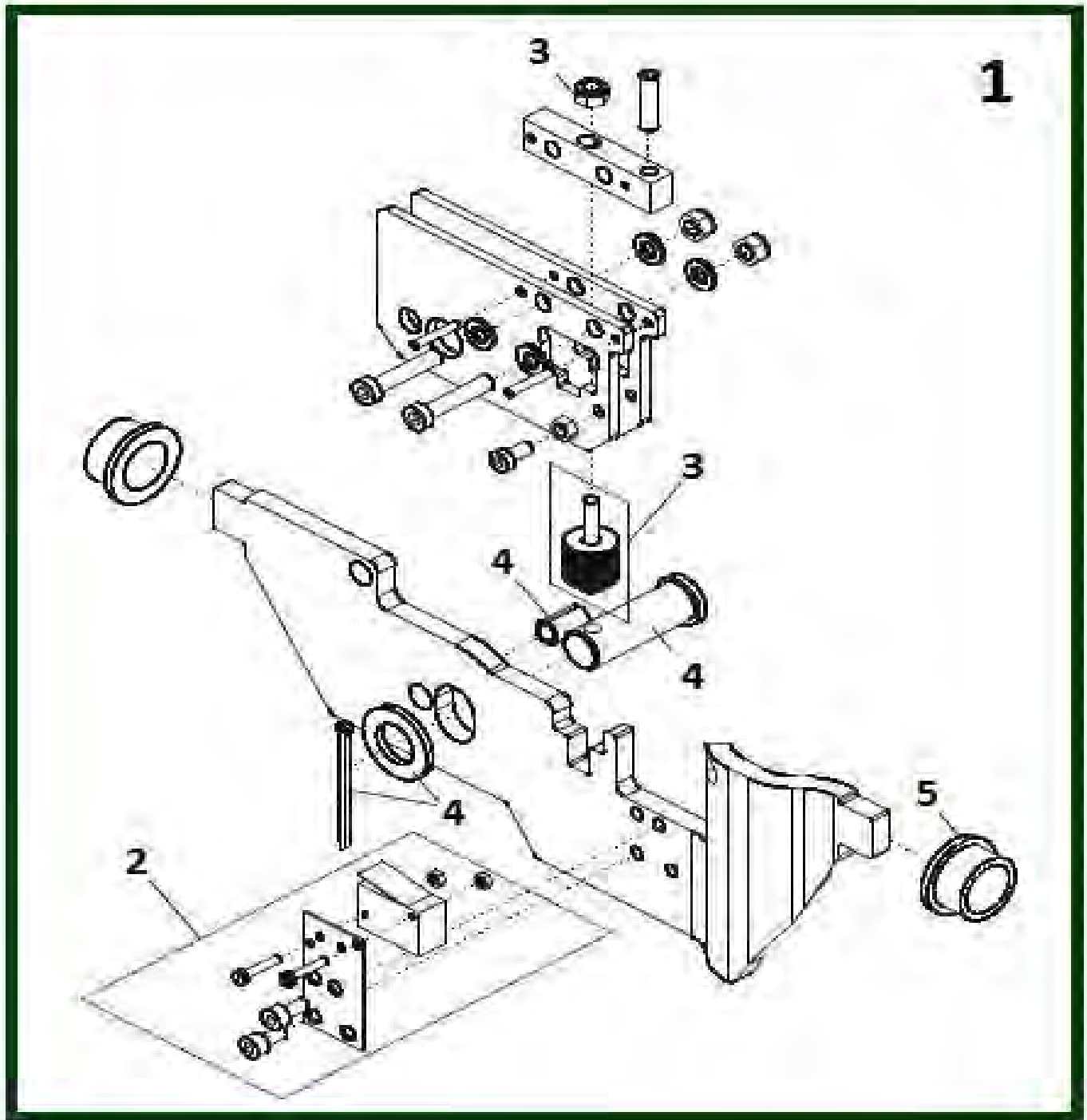
004182_2

Item	Reference	Description	Observation	Quantity
1	VT0000754	Sheave, rope sheave	8/1	1
2	VT0000692	Shaft set		1
3	VT0000693	Support		1
4	VT0000133	Sheave, rope sheave	VT0000805-VT0000803 VT0000804	3
5	VT0000694	Sleeve set		1

6. OVERLOAD DEVICE



6.1. Reeve A2 & A/4 – Mechanical limit switch & hoist power measurement- Standard

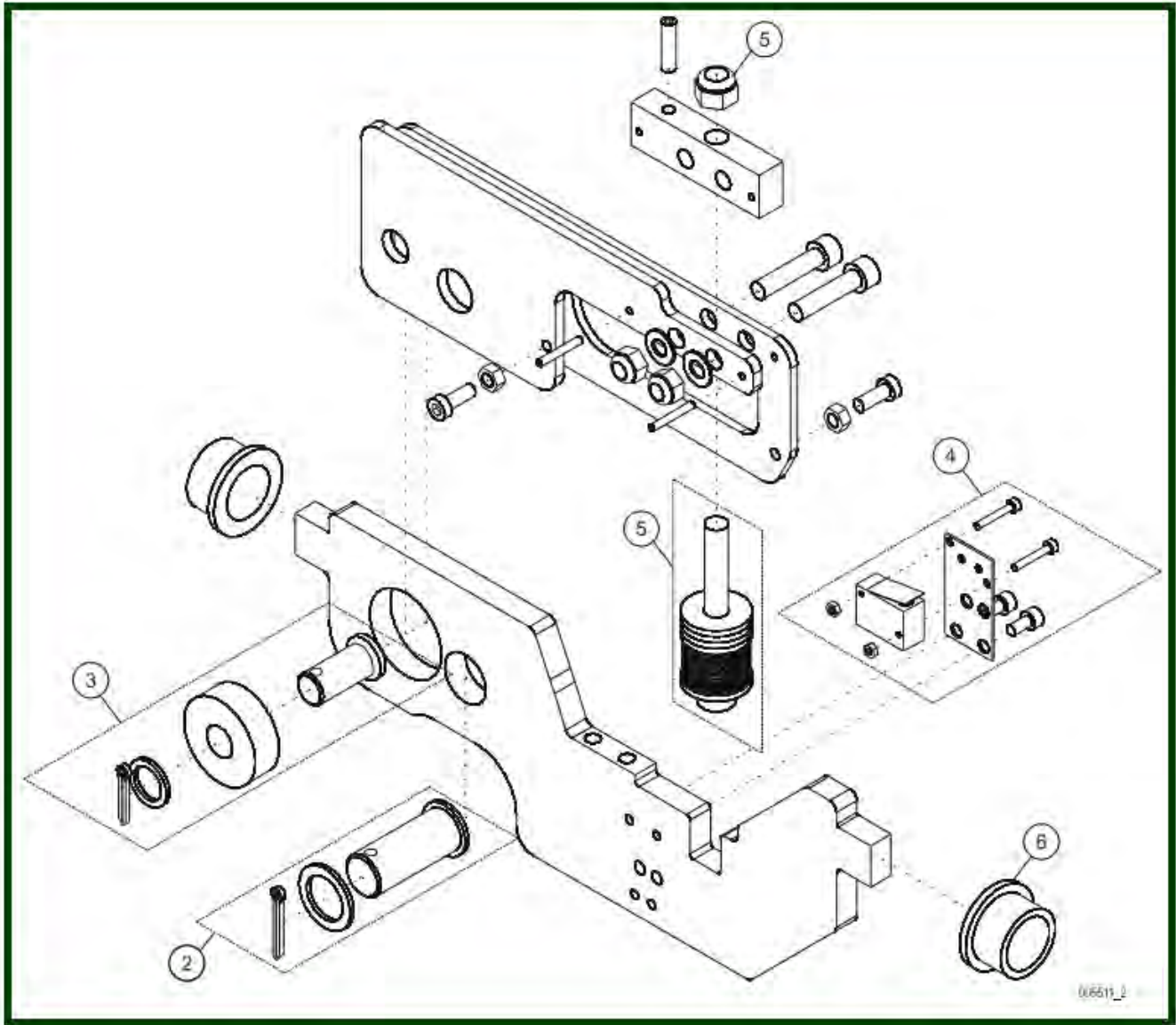


Reeve A2 & A/4 – Mechanical limit switch & hoist power measurement- Standard

Item	Reference	Description	Observation	Quantity
1	<u>VT0002339</u>	Overload device	A2 : 500 to 799 kg A4 : 1000 to 1599 kg	1
1	<u>VT0002338</u>	Overload device	A2 : 800 to 1600 kg A4 : 1600 to 3200 kg	1
2	<u>VT14060001</u>	Micro switch - To H0206387	(VT0000009 - VT0000011)	1
2	<u>VT0000952</u>	Micro switch - From H0206388	(VT0000008 - VT0000812 VT0000549 - VT0000611)	1
3	<u>VT0000010</u>	Spring set To H0206387	2/1-A2 : < 625 kg 4/1-A4 : < 1250 kg	1
3	<u>VT13060002</u>	Spring set To H0206387	2/1-A2 : 625 to 1600 kg 4/1-A4 : 1250 to 3199 kg	1
3	<u>VT0000961</u>	Spring set From H0206388	2/1 : 500 to 626 kg 4/1 : 1000 to 1252 kg	1
3	<u>VT0000960</u>	Spring set From H0206388	2/1 : 800 to 1599 kg 4/1 : 1600 to 3200 kg	1
4	<u>VT13060003</u>	Shaft set		1
5	<u>VT0000576</u>	Radial sliding bearing	2/1-04-A2-A4	2

6.2. Reeve 2/1 & 4/1 – Mechanical limit switch & hoist power measurement– Standard

No suitable for hazardous areas

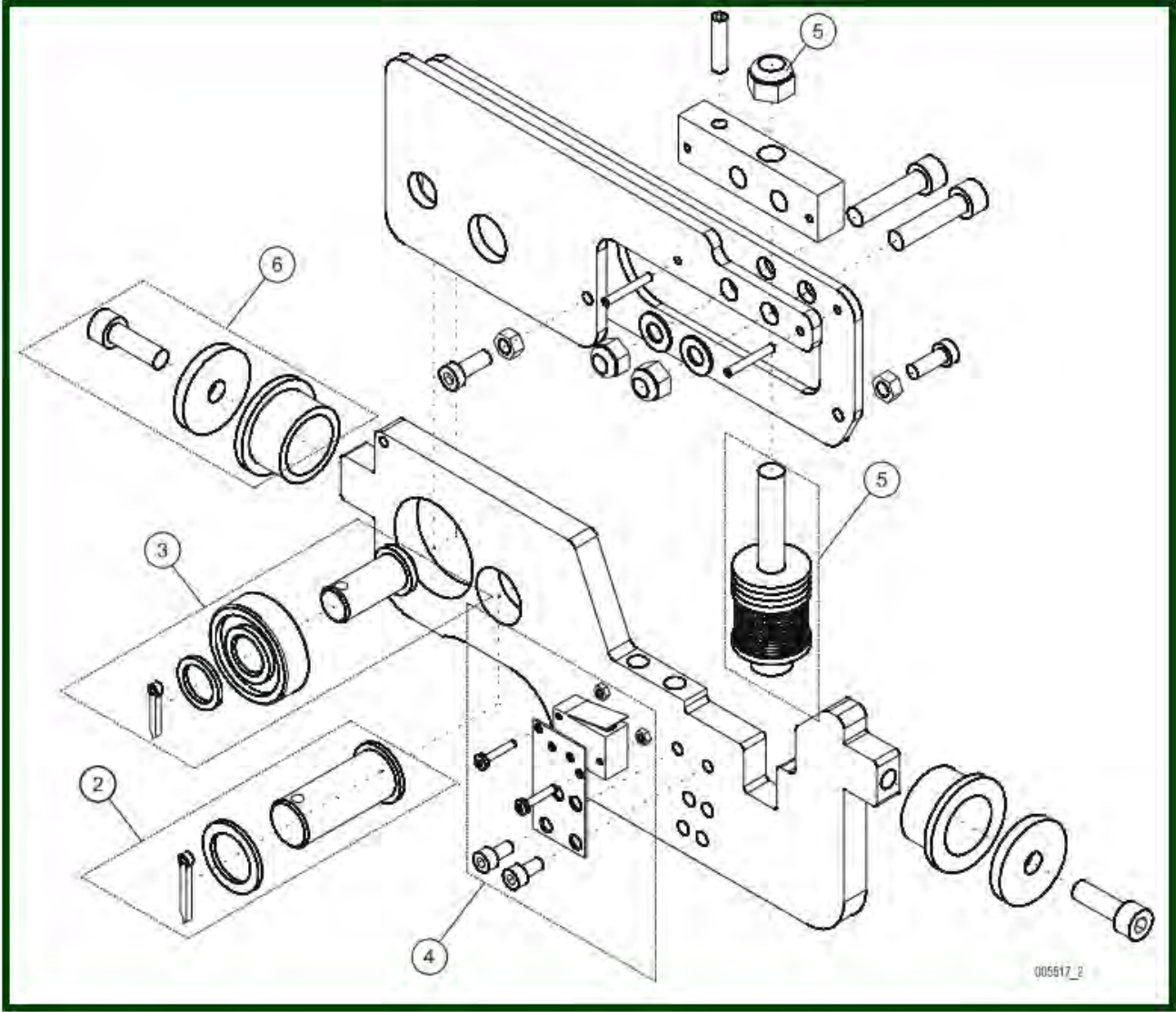


Reeve 2/1 & 4/1 – Mechanical limit switch & hoist power measurement– Standard

Item	Reference	Description	Observation	Quantity
1	<u>VT0000953</u>	Overload device	2/1 : 625 to 999 kg 4/1 : 1250 to 1999 kg	1
1	<u>VT0001883</u>	Overload device	2/1 : 1000 to 1999 kg 4/1 : 2000 to 3999 kg	1
1	<u>VT0000954</u>	Overload device	2/1 : 2000 to 3200 kg 4/1 : 4000 to 6300 kg	1
2	<u>VT0000023</u>	Shaft set	2/1-4/1-6/1-8/1-M1-M2 (VT0000136)	1
3	<u>VT0000137</u>	Shaft set		1
4	<u>VT0000138</u>	Micro switch To H0206387	(VT0000548)	1
4	<u>VT0000952</u>	Micro switch From H0206388	(VT0000008-VT0000812-VT0000549- VT0000611)	1
5	<u>VT0002664</u>	Spring set From H0206388	2/1 : 625 to 999 kg 4/1 : 1250 to 1999kg	1
5	<u>VT0002665</u>	Spring set From H0206388	2/1 : 1000 to 1999 kg 4/1 : 2000 to 3999 kg	1
5	<u>VT0002666</u>	Spring set From H0206388	2/1 : 2000 to 3150 kg 4/1 : 4000 to 6300 kg	1
6	<u>VT0000576</u>	Radial sliding bearings	2/1-4/1-A2-A4	2

6.3. Reeve 6/1 & 8/1 – Mechanical limit switch & hoist power measurement- Standard

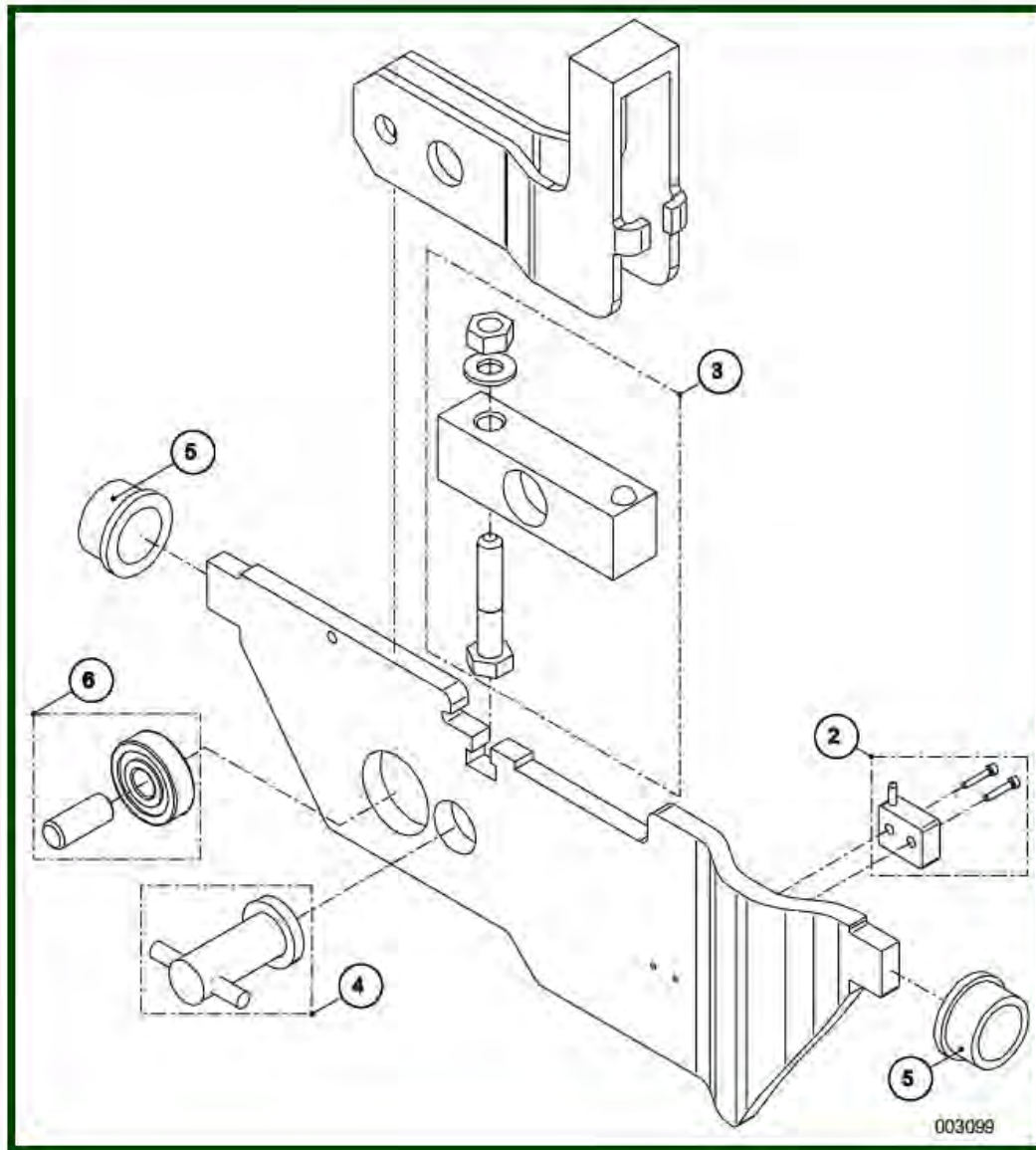
No suitable for hazardous areas



Reeve 6/1 & 8/1 – Mechanical limit switch & hoist power measurement – Standard

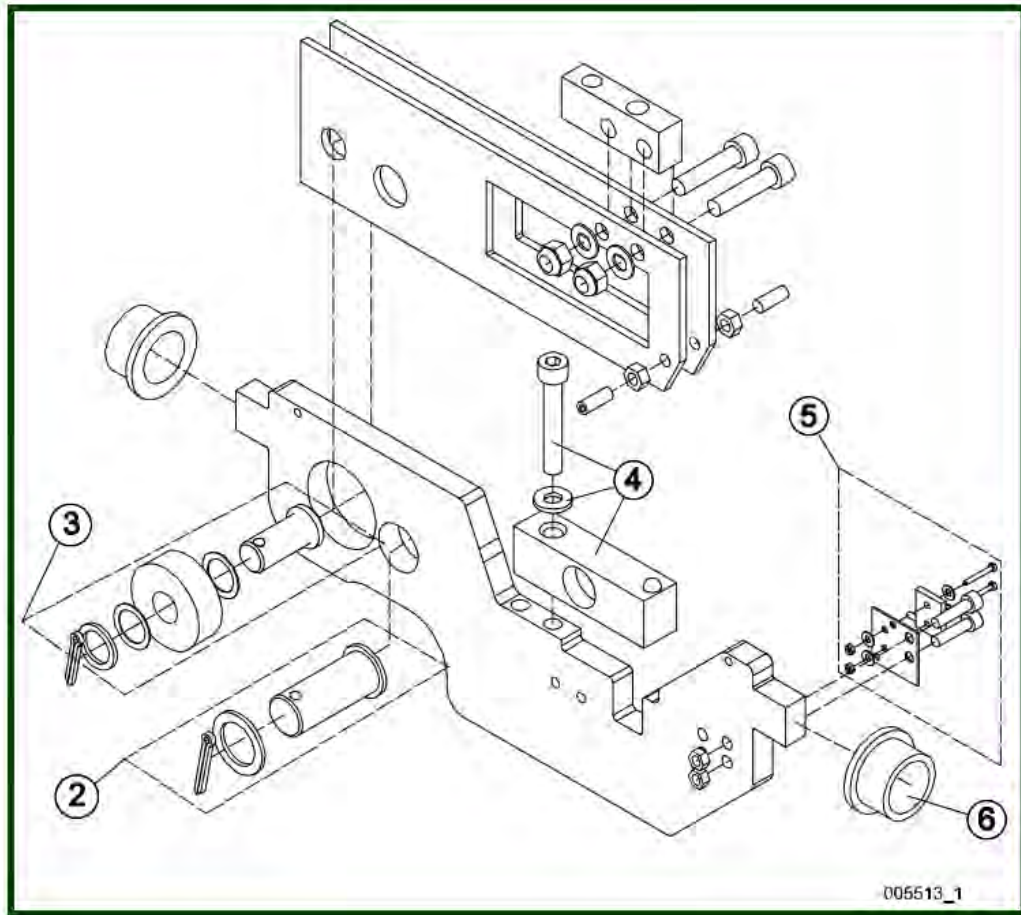
Item	Reference	Description	Observation	Quantity
1	<u>VT0000568</u>	Overload device	6/1 : 875 to 2999 kg 8/1 : 2500 to 3999 kg	1
1	<u>VT0000569</u>	Overload device	6/1 : 3000 to 5999 kg 8/1 : 4000 to 7999 kg	1
1	<u>VT0000570</u>	Overload device	6/1 : 6000 to 7500 kg 8/1 : 8000 to 10000 kg	1
2	<u>VT0000023</u>	Shaft set	2/1-4/1-6/1-8/1-M1-M2 (VT0000136)	1
3	<u>VT0000137</u>	Shaft set		1
4	<u>VT0000138</u>	Micro-contact - To H0206387	(VT0000548)	1
4	<u>VT0000952</u>	Micro-contact - From H0206388	(VT0000008-VT0000812- VT0000549-VT0000611)	1
5	<u>VT0000139</u>	Spring set – To H0206391	6/1 : 6000 to 9450 kg 8/1 : 8000 to 12600kg (VT0000550)	1
5	<u>VT0002664</u>	Spring set – From H0206388	6/1 : 1875 to 2999 kg 8/1 : 2500 to 3999 kg	1
5	<u>VT0002665</u>	Spring set – From H0206388	6/1 : 3000 to 5999 kg 8/1 : 4000 to 7999 kg	1
5	<u>VT0002666</u>	Spring set – From H0206388	6/1 : 6000 kg to 7500 kg 8/1 : 8000 kg to 10000 kg	1
6	<u>VT0000551</u>	Radial sliding bearing	6/1-8/1	1

6.4. Reeve A2 & A4 – Strain gauge



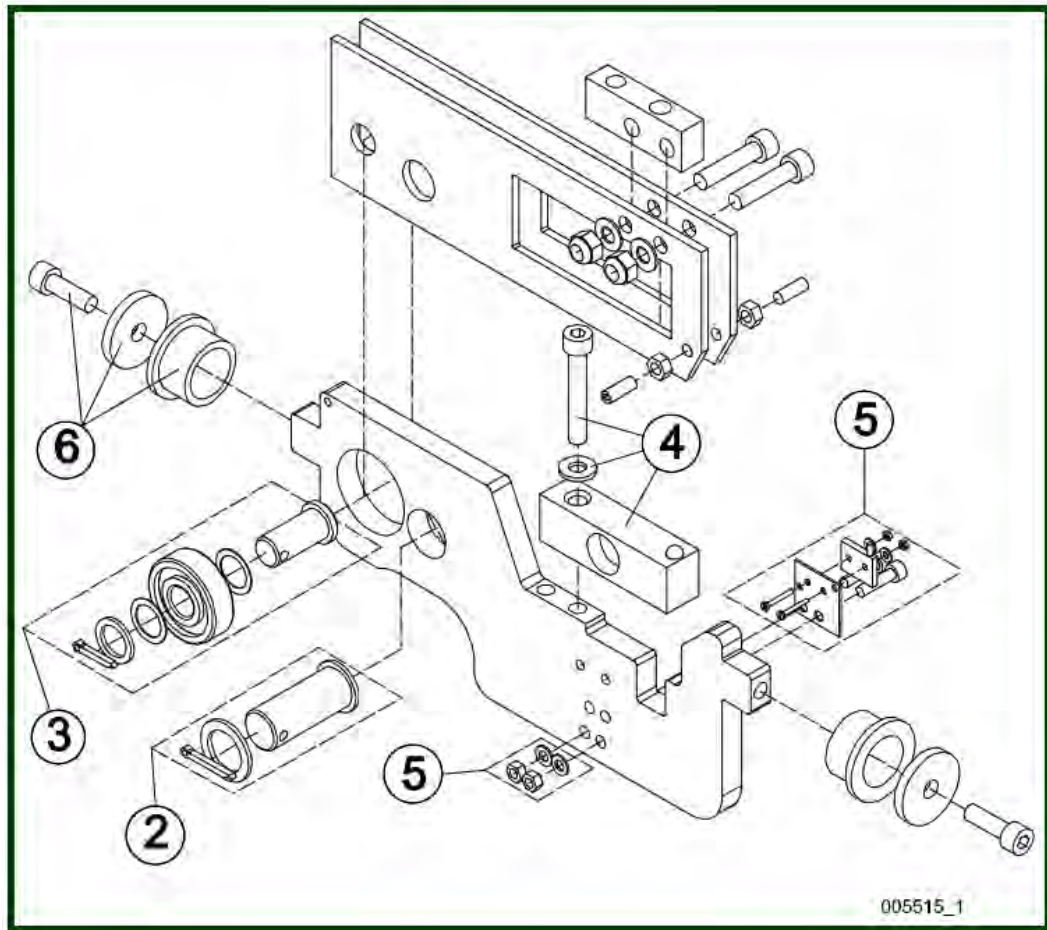
Item	Reference	Description	Observation	Quantity
1	VT0002351	Overload device		1
2	VT0000011	Micro switch		1
3	VT0003705	Strain gauge	From HHY49374 → Hoists From HHZ05271 → Motor	1
3	VT0000014	Strain gauge	To HHY49373 → Hoists To HHZ05270 → Motor (VT13060005)	1
4	VT0000012	Shaft set	(VT0000579)	1
5	VT0000576	Radial sliding bearing		2
6	VT13060006	Bearing set		1

6.5. Reeve 2/1 & 4/1 – Strain gauge



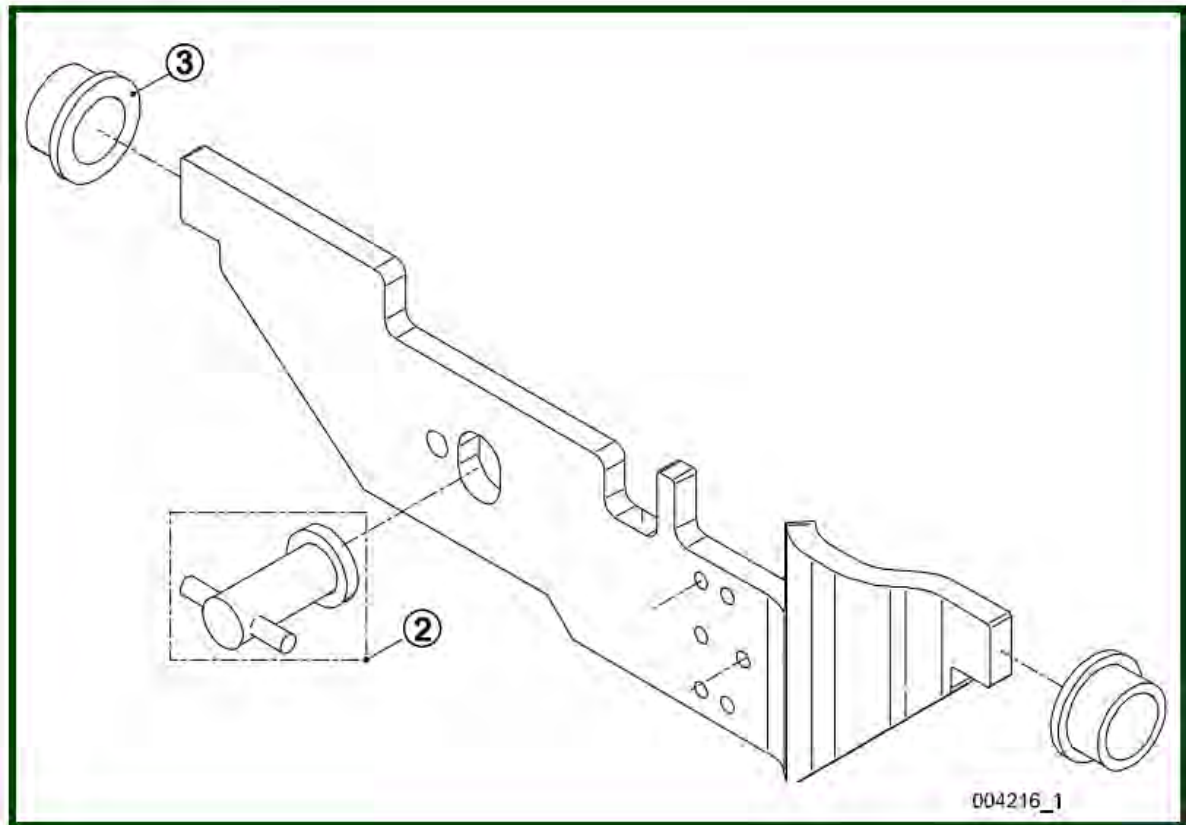
Item	Reference	Description	Observation	Quantity
1	<u>VT0000141</u>	Overload device	2/1 : ≤ 2500 Kg 4/1 : ≤ 5000 Kg (VT0000584)	1
1	<u>VT0001816</u>	Overload device	2/1 : > 2500 Kg 4/1 : > 5000 Kg	1
2	<u>VT0000023</u>	Shaft set	(VT0000136)	1
3	<u>VT0000137</u>	Shaft set		1
4	<u>VT0001815</u>	Strain gauge	To HHY49394 → Hoists To HHZ05283 → Motor (VT0001260 – VT0000142)	1
4	<u>VT0003706</u>	Strain gauge	From HHY49395 → Hoists From HHZ05284 → Motor	1
5	<u>VT0000143</u>	Micro contact	(VT0000280)	1
6	<u>VT0000576</u>	Radial sliding bearing		2

6.6. Reeve 6/1 & 8/1 – Strain gauge



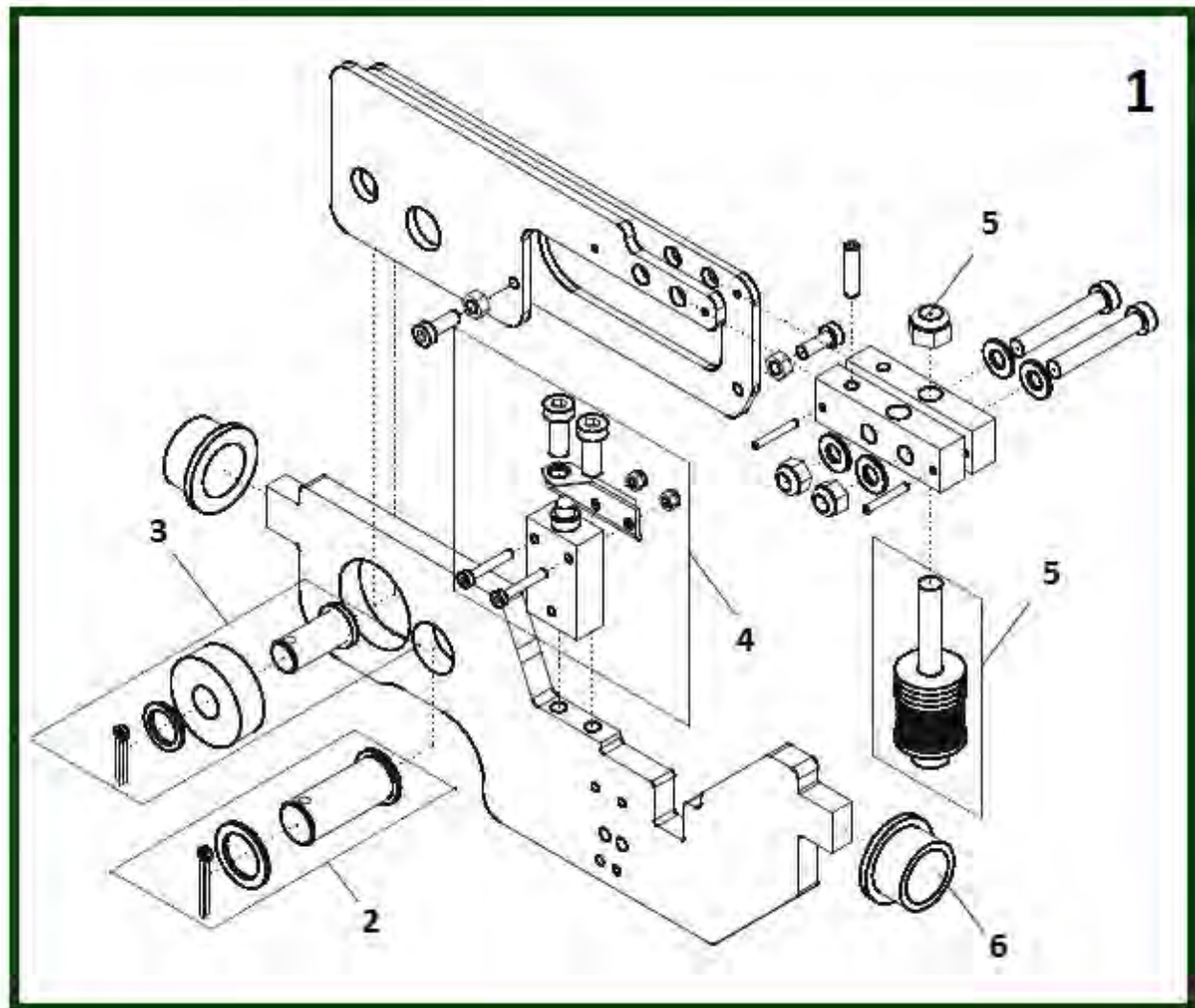
Item	Reference	Description	Observation	Quantity
1	VT0000585	Overload device		1
2	VT0000023	Shaft set	(VT0000136)	1
3	VT0000137	Shaft set		1
4	VT0001815	Strain gauge	To HHY49394 → Hoists To HHZ05283 → Motor (VT0001260 – VT0000142)	1
4	VT0003706	Strain gauge	From HHY49395 → Hoists From HHZ05284 → Motor	1
5	VT0000143	Micro contact	(VT0000280)	1
6	VT0000551	Radial sliding bearing		1

6.7. Reeve 2/1-4/1-6/1-8/1-8/2-12/2-16/2 - Without overload device
 - Hoist power measurement



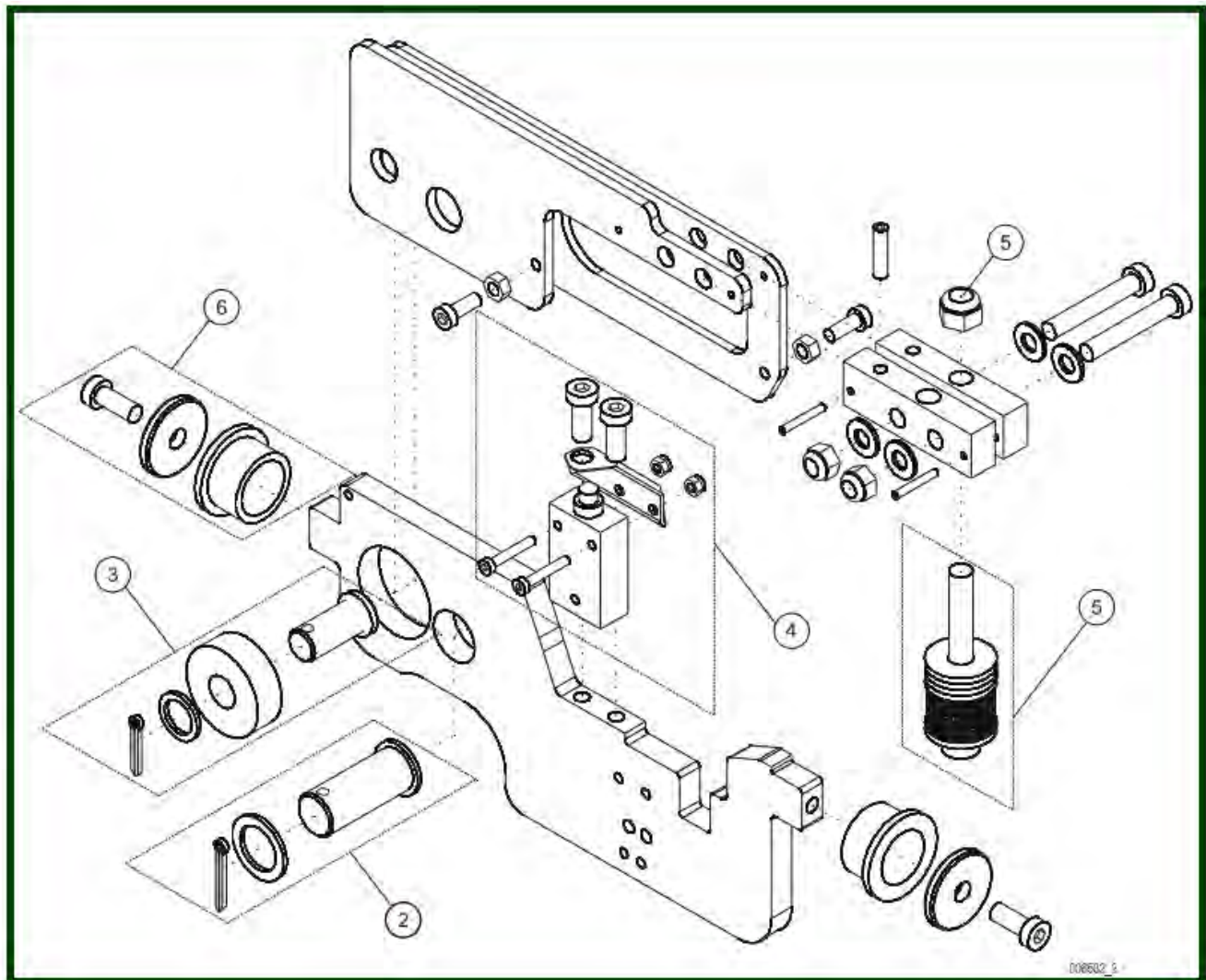
Item	Reference	Description	Observation	Quantity
1	VT0002352	Rope support	A2-A4	1
1	VT0000575	Rope support	2/1-4/1	1
1	VT0000574	Rope support	6/1-8/1	1
2	VT0000012	Shaft set	A2-A4 (VT0000579)	1
2	VT0000572	Shaft set	2/1-4/1-6/1-8/1	1
3	VT0000576	Radial sliding bearing	2/1-4/1-A2-A4	1
3	VT0000573	Radial sliding bearing	6/1-8/1	1

6.8. Reeve 2/1 & 4/1 – Mechanical limit switch & hoist power measurement- Zones C1D2 – ZONE 1 – ZONE 2



Item	Reference	Description	Observations	Quantity
1	<u>VT0002030</u>	Overload device	2/1 : 625 to 999 kg 4/1 : 1250 to 1999 kg Hazardous areas C1D2 – ZONE 1 – ZONE 2	1
1	<u>VT0002031</u>	Overload device	2/1 : 1000 kg to 1999 kg 4/1 : 2000 kg to 3999 kg Hazardous areas C1D2 – ZONE 1 – ZONE 2	1
1	<u>VT0002032</u>	Overload device	2/1 : 2000 kg to 3200 kg 4/1 : 4000 kg to 6300 kg Hazardous areas C1D2 – ZONE 1 – ZONE 2	1
2	<u>VT0000023</u>	Shaft set	2/1-04-06-08-M1-M2 (VT0000136)	1
3	<u>VT0000137</u>	Shaft set		1
4	<u>VT0000138</u>	Micro switch – To H0206387	(VT0000548)	1
4	<u>VT0002033</u>	Micro switch		1
5	<u>VT0002664</u>	Spring set - From H0206388	2/1 : 625 to 999 kg 4/1 : 1250 to 1999kg	1
5	<u>VT0002665</u>	Spring set - From H0206388	2/1 : 1000 to 1999 kg 4/1 : 2000 to 3999 kg	1
5	<u>VT0002666</u>	Spring set - From H0206388	2/1 : 2000 to 3150 kg 4/1 : 4000 to 6300 kg	1
6	<u>VT0000576</u>	Radial sliding bearing	2/1 – 4/1	2

6.9. Reeve 6/1 & 8/1 – Mechanical limit switch & hoist power measurement - Zones C1D2 – ZONE 1 – ZONE 2

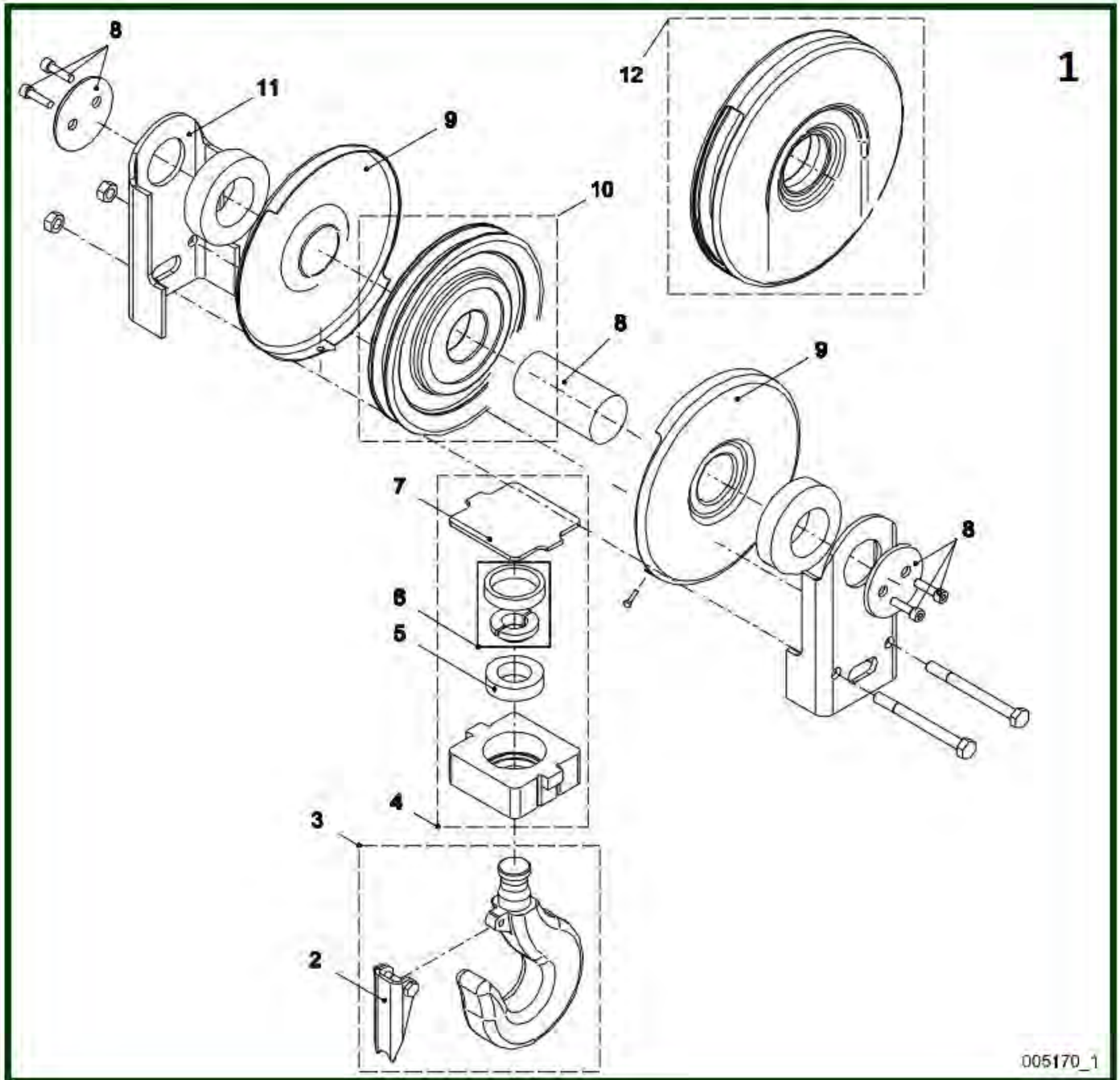


Reeve 6/1 & 8/1 – Mechanical limit switch & hoist power measurement- Zones C1D2 – ZONE 1 – ZONE 2

Item	Reference	Description	Observations	Quantity
1	<u>VT0002034</u>	Overload device	6/1 : 875 kg to 2999 kg 8/1 : 2500 kg to 3999 kg Hazardous areas C1D2 - ZONE 1 - ZONE 2	1
1	<u>VT0002035</u>	Overload device	6/1 : 3000 kg to 5999 kg 8/1 : 4000 kg to 7999 kg Hazardous areas C1D2 - ZONE 1 - ZONE 2	1
1	<u>VT0002036</u>	Overload device	6/1 : 6000 kg to 7900 kg 8/1 : 8000 kg to 10000 kg Hazardous areas C1D2 - ZONE 1 - ZONE 2	1
2	<u>VT0000023</u>	Shaft set	2/1-04-06-08-M1-M2 (VT0000136)	1
3	<u>VT0000137</u>	Shaft set		1
4	<u>VT0000138</u>	Micro switch To H0206387	(VT0000548)	1
4	<u>VT0002033</u>	Micro switch		1
5	<u>VT0002664</u>	Spring set From H0206388	6/1 : 1875 to 2999 kg 8/1 : 2500 to 3999 kg	1
5	<u>VT0002665</u>	Spring set From H0206388	6/1 : 3000 to 5999 kg 8/1 : 4000 to 7999 kg	1
5	<u>VT0002666</u>	Spring set From H0206388	6/1 : 6000 kg to 7500 kg 8/1 : 8000 kg to 10000 kg	1
6	<u>VT0000551</u>	Radial sliding bearing	6/1- 8/1	1

7. HOOK

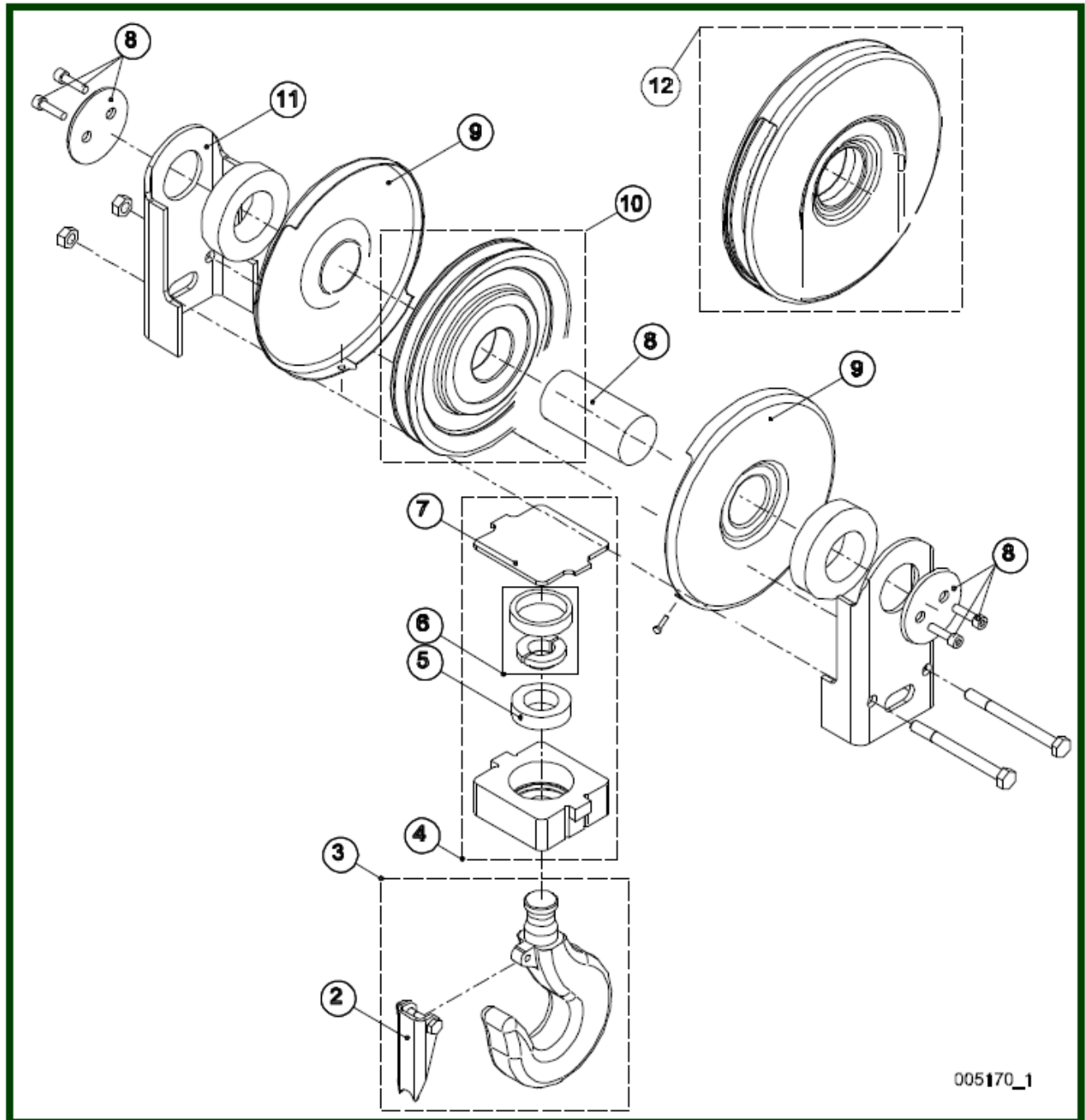
7.1. Reeve A2 - RSN hook



Reeve A2 - RSN hook

Item	Code	Description	Observations	Quantity
1	<u>VT0003293</u>	Hook assembly		1
2	<u>VT11072101</u>	Safety latch		1
3	<u>VT11072102</u>	Hook	2/1	1
4	<u>VT13072102</u>	Bearing set		1
5	<u>VT11074103</u>	Bearing set ; Thrust ball bearing		1
6	<u>VT13072103</u>	Locking set		1
7	<u>VT11072104</u>	Cover plate		1
8	<u>VT13072104</u>	Shaft set - To H0209452		1
8	<u>VT0001251</u>	Shaft set - From H0209453		1
9	<u>VT0000475</u>	Cover set - To H0209452	(VT0000470-VT0000705)	1
9	<u>VT0001253</u>	Cover set - From H0209453	(VT0001252)	1
10	<u>VT0000727</u>	Sheave, rope sheave	∅ 146	1
11	<u>VT11072105</u>	Side plate		1
12	<u>VT0000476</u>	Sheave; Rope sheave - To H0209452	(VT0000468)	1
12	<u>VT0001255</u>	Sheave; Rope sheave - From H0209453	(VT0001254)	1

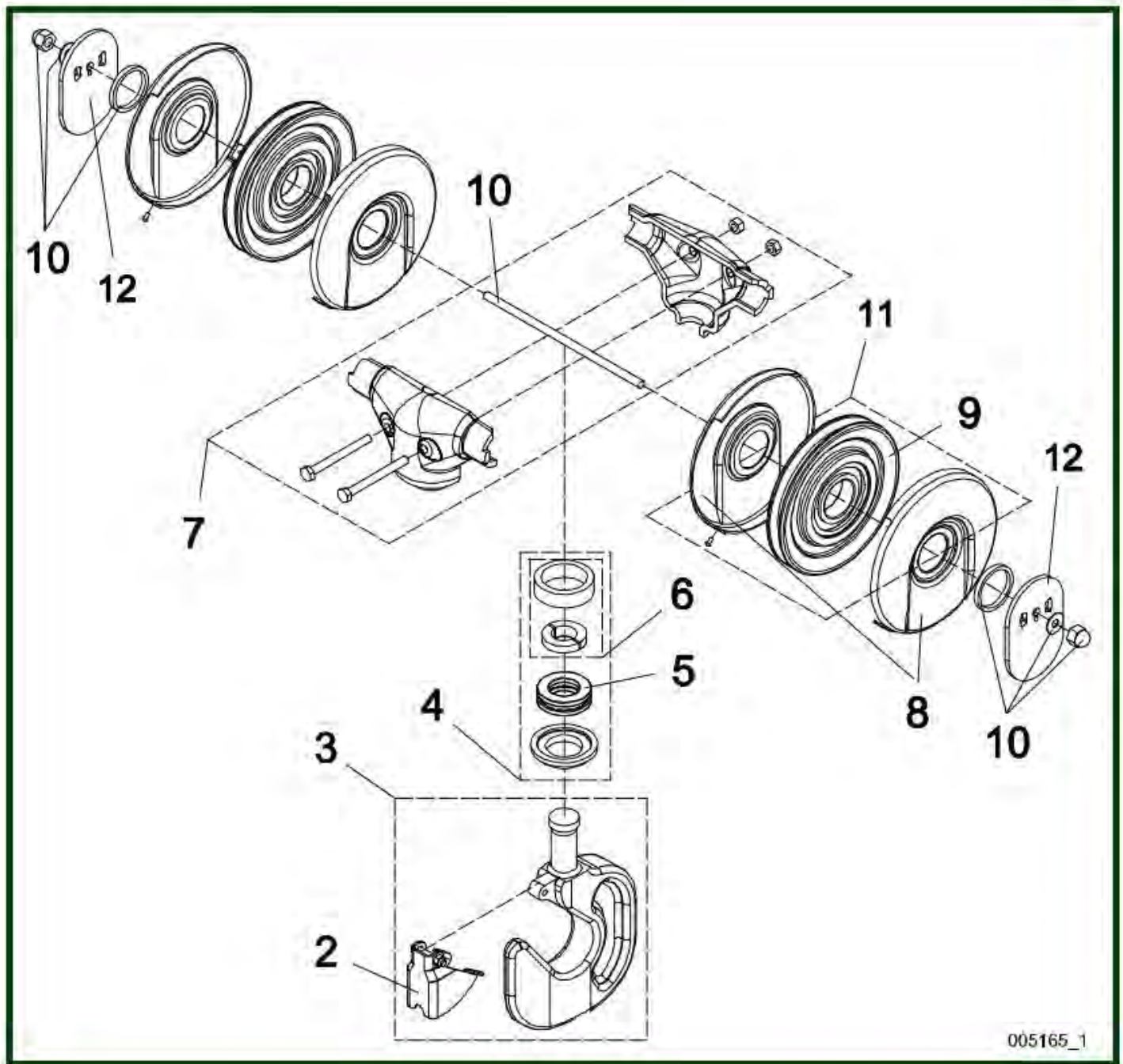
7.2. Reeve 2/1 - RSN hook



2/1 – RSN hook

Item	Code	Description	Observations	Quantity
1	<u>VT0003295</u>	Hook assembly	RSN1 - (VT0001212)	1
2	<u>VT11072101</u>	Safety latch set		1
3	<u>VT0000761</u>	Hook	RSN1	1
4	<u>VT0000145</u>	Bearing set - To H0205676		1
4	<u>VT0001197</u>	Bearing set - From H0205677		1
5	<u>VT11074103</u>	Bearing; thrust bearing		1
6	<u>VT13072103</u>	Locking set		1
7	<u>VT0000146</u>	Cover - To H0205676		1
7	<u>VT0001198</u>	Cover - From H0205677		1
8	<u>VT0000147</u>	Shaft set - To H0207868		1
8	<u>VT0001199</u>	Shaft set - From H0207869		1
9	<u>VT0000507</u>	Cover set - To H0207868	(VT0000148)	1
9	<u>VT0003329</u>	Cover set - From H0207869	(VT0001200)	2
10	<u>VT0000133</u>	Sheave, rope sheave	(VT0000803-VT0000804-VT0000805)	1
11	<u>VT0000701</u>	Side plate set - From H0205677	(VT0000150)	1
12	<u>VT0003340</u>	Sheave, rope sheave From H0207869	(VT0001210)	1

7.3. Reeve A4 - HBC Hook

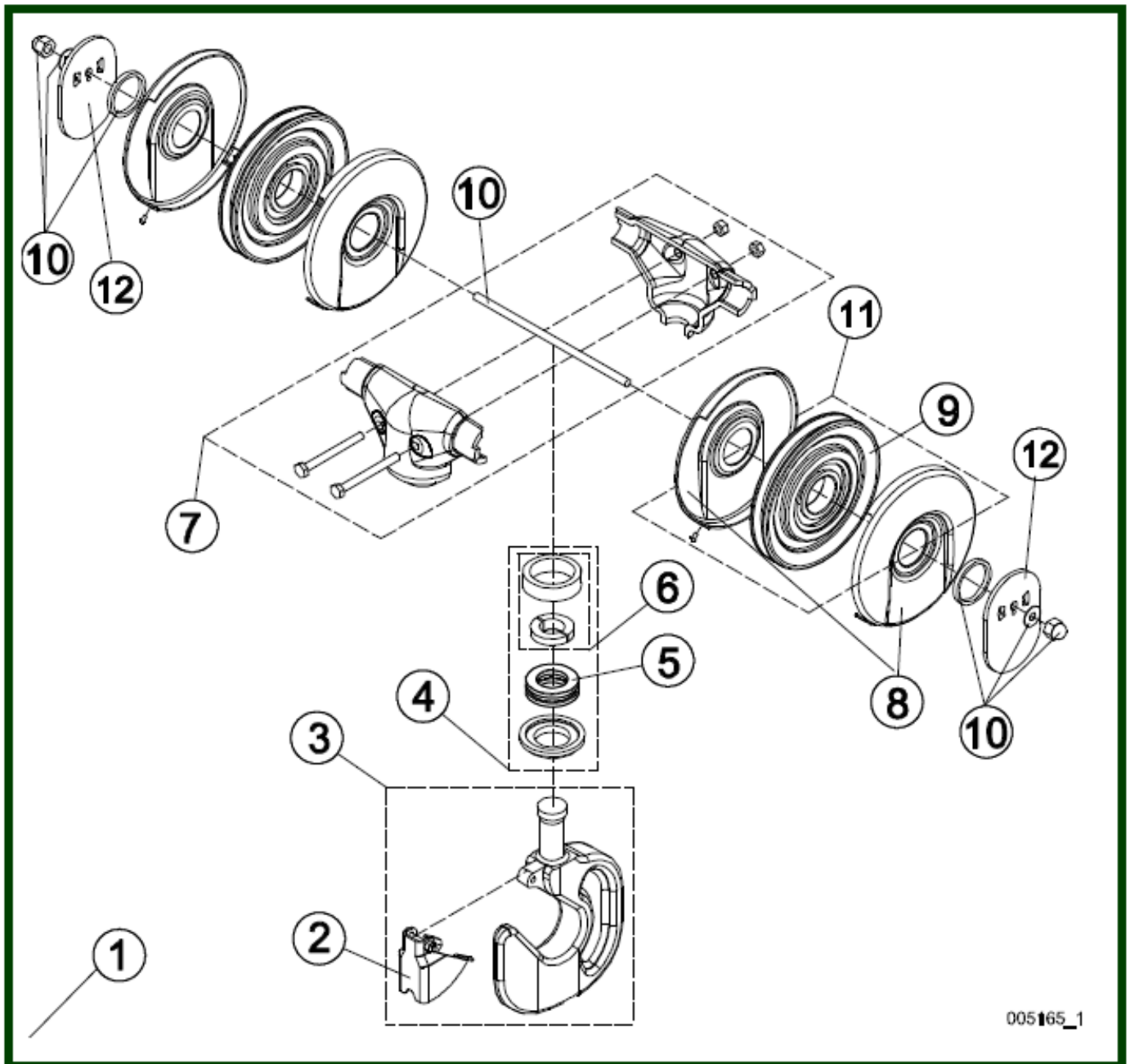


005165_1

Reeve A4 - Hook HBC

Item	Code	Description	Observations	Quantity
1	<u>VT0003294</u>	Hook assembly	(VT0001335)	1
2	<u>VT0000398</u>	Safety latch		1
3	<u>VT0002461</u>	Hook		1
3	<u>VT0002470</u>	Hook	RSN2.5	1
4	<u>VT13074102</u>	Bearing set		1
5	<u>VT11074103</u>	Bearing set ; Thrust ball bearing		1
6	<u>VT13072103</u>	Locking set		1
7	<u>VT13074103</u>	Bearing housing - To H0209452		1
7	<u>VT0001256</u>	Bearing housing From H0209453		1
7	<u>VT0000469</u>	Cover set		1
8	<u>VT0000472</u>	Cover plate - To H0209452		2
8	<u>VT0001253</u>	Cover plate - From H0209453	(VT0001252)	2
9	<u>VT0000727</u>	Sheave, rope sheave - Ø 146		2
10	<u>VT13074104</u>	Shaft set - To H0209452		1
10	<u>VT0001258</u>	Shaft set - From H0209453		1
11	<u>VT0000474</u>	Sheave, rope sheave To H0209452		2
11	<u>VT0001255</u>	Kit Sheave, rope sheave From H0209453	(VT0001254)	2
12	<u>VT0001336</u>	Locking plate		2

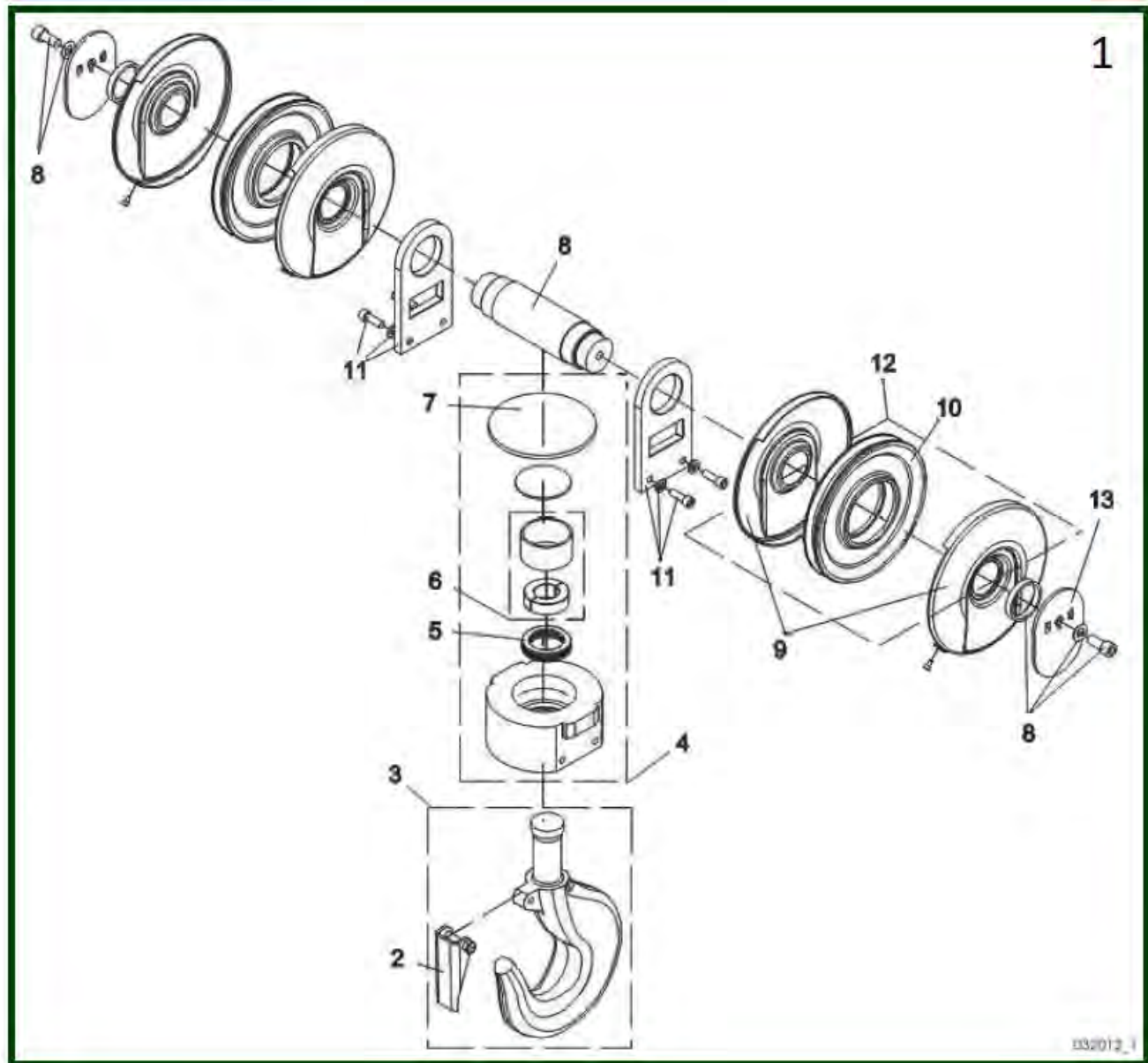
7.4. Reeve 4/1 - HBC Hook



Reeve 4/1 - Hook HBC

Item	Code	Description	Observations	Quantity
1	<u>VT0003296</u>	Hook assembly	HBC – 5T	1
1	<u>VT0002583</u>	Hook assembly	RSN4	1
1	<u>VT0002629</u>	Hook assembly	RSN5	1
1	<u>VT0002630</u>	Hook assembly	RSN6	1
1	<u>VT0002632</u>	Hook assembly	RSN8	1
2	<u>VT0000888</u>	Safety latch set From H0206304 to H0211000	HBC (VT0000824)	1
2	<u>VT0001211</u>	Safety latch set From H0211001	HBC	1
3	<u>VT0000153</u>	Hook - To H0206303	HBC2.5	1
3	<u>VT0001202</u>	Hook	HBC2.5 (VT0002009)	1
4	<u>VT0000154</u>	Bearing set		1
5	<u>VT0000155</u>	Thrust ball bearing		1
6	<u>VT0000156</u>	Locking set		1
7	<u>VT0000157</u>	Bearing housing - To H0207868		1
7	<u>VT0001203</u>	Bearing housing From H0207869		1
8	<u>VT0000158</u>	Cover set - To H0207868		2
8	<u>VT0003329</u>	Cover set - From H0207869	(VT0001200)	2
9	<u>VT0000133</u>	Sheave, rope sheave	(VT0000803) (VT0000804) (VT0000805)	2
10	<u>VT0000587</u>	Shaft set - To H0207868		1
10	<u>VT0001205</u>	Shaft set - From H0207869		1
11	<u>VT0000234</u>	Sheave, rope sheave+ capot To H0207868		2
11	<u>VT0003340</u>	Sheave, rope sheave+ capot From H0207869		2
12	<u>VT0001226</u>	Locking plate - From H0207869		2

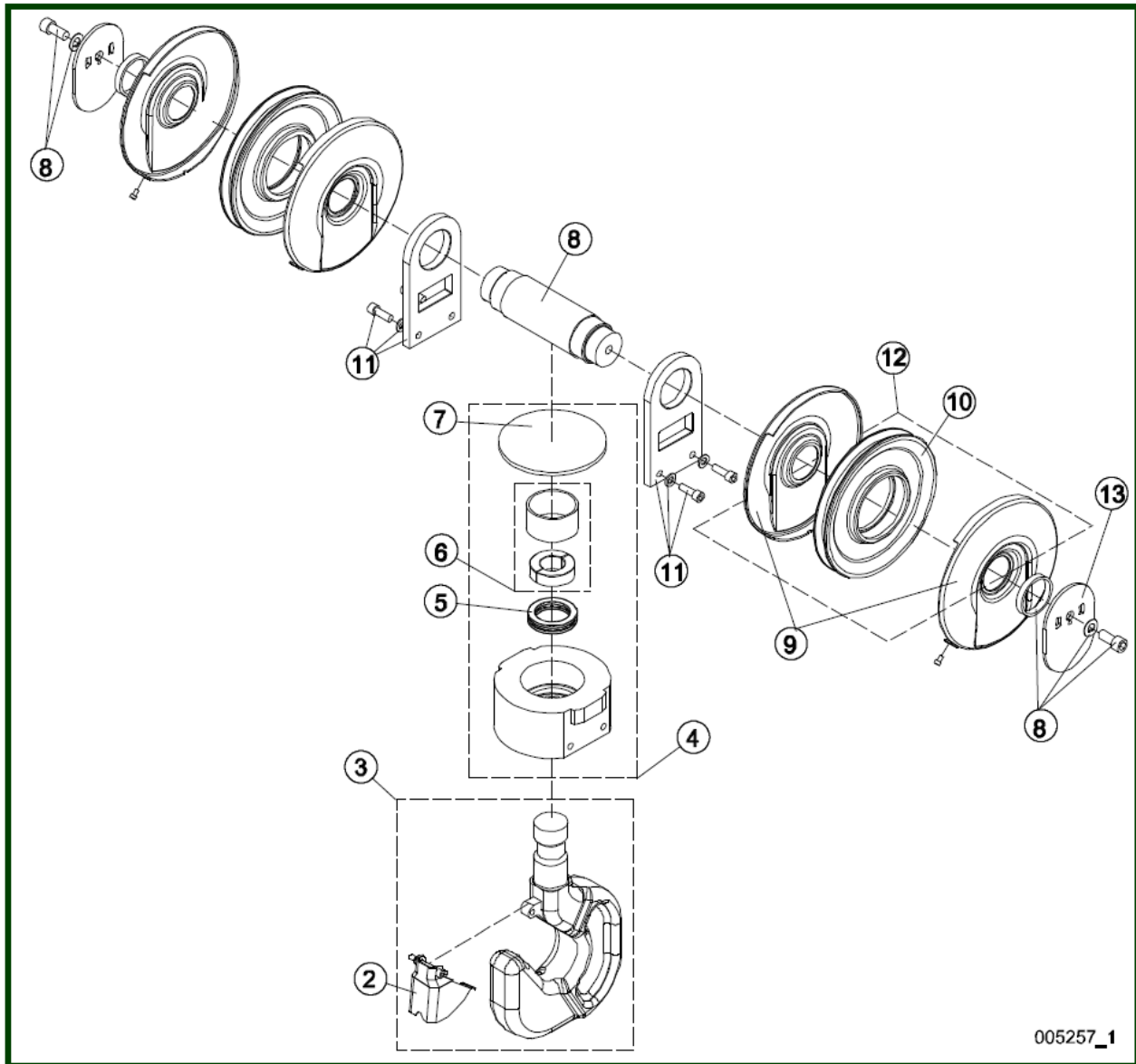
7.5. Reeve 4/1 - RSN hook



Reeve 4/1 - RSN hook

Item	Code	Description	Observations	Quantity
1	<u>VT0003627</u>	Hook assembly		1
2	<u>VT0004106</u>	Safety latch set	RSN	1
3	<u>VT0003629</u>	Hook	(VT0002640)	1
4	<u>VT0003630</u>	Bearing set		1
5	<u>VT0000758</u>	Bearing, thrust ball bearing		1
6	<u>VT0000674</u>	Locking set	6.3	1
7	<u>VT0000759</u>	Cover	T6D135	1
8	<u>VT0001209</u>	Shaft set		1
9	<u>VT0003329</u>	Cover set - From H0207869	(VT0001200)	2
10	<u>VT0000133</u>	Sheave, rope sheave	(VT0000803) (VT0000804) (VT0000805)	2
11	<u>VT0000708</u>	Side plate		1
12	<u>VT0003340</u>	Sheave, rope sheave	(VT0001210)	2
13	<u>VT0001226</u>	Locking plate		2

7.6. Reeve 4/1 – HBC hook – Load > 5000 kgs

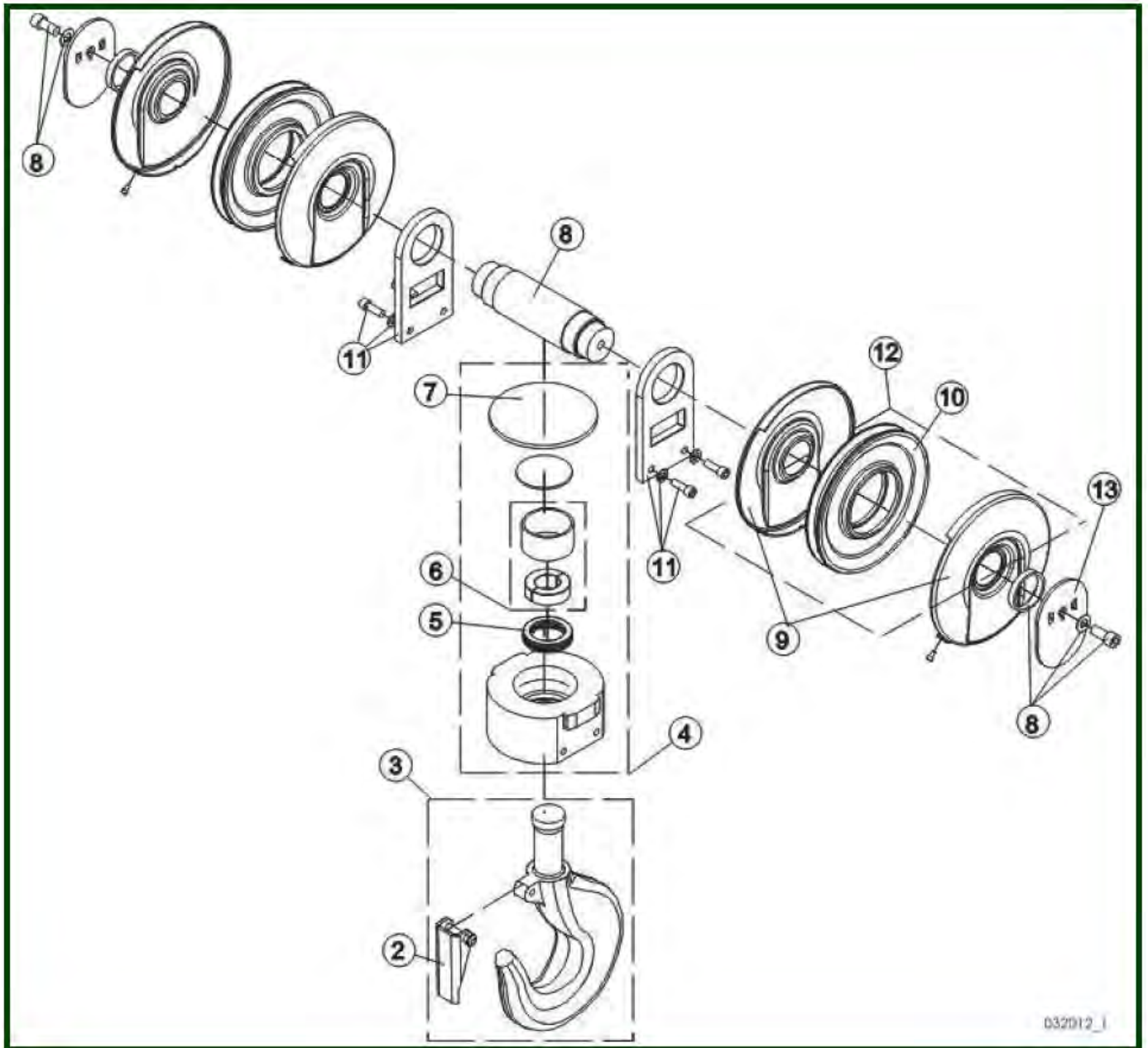


005257_1

Reeve 4/1 – Hook HBC – Load > 5000 kgs

Item	Code	Description	Observations	Quantity
1	<u>VT0001208</u>	Hook assembly	HBC2.5	1
2	<u>VT0001211</u>	Safety latch set From H0212027		1
3	<u>VT0002524</u>	Hook	HBC2.5	1
4	<u>VT0000673</u>	Traverse		1
5	<u>VT0000758</u>	Bearing, thrust ball bearing		1
6	<u>VT0000674</u>	Locking set	6.3	1
7	<u>VT0000759</u>	Cover		1
8	<u>VT0000706</u>	Shaft set - To H0207868		1
8	<u>VT0001209</u>	Shaft set - From H0207869		1
9	<u>VT0003329</u>	Cover - From H0207869	(VT0001200)	2
10	<u>VT0000133</u>	Sheave, rope sheave	(VT0000803) (VT0000804) (VT0000805)	2
11	<u>VT0000708</u>	Side plate		1
12	<u>VT0003340</u>	Sheave, rope sheave From H0207869	(VT0001210)	2
13	<u>VT0001226</u>	Locking plate		2

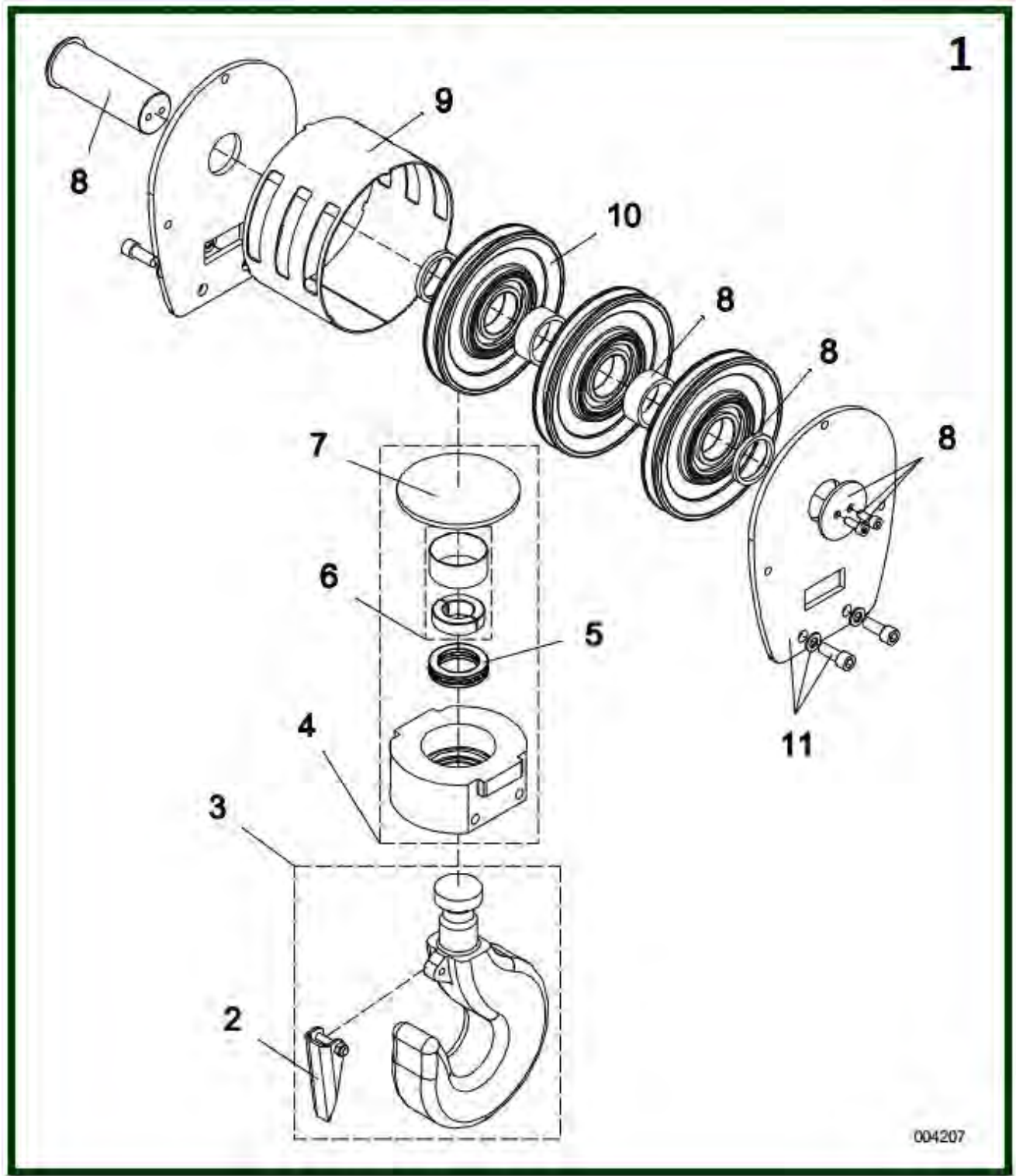
7.7. Reeve 4/1 – RSN hook - Load > 5000 kgs



Reeve 4/1 – RSN hook - Load > 5000 kgs

Item	Code	Description	Observations	Quantity
1	-	Hook assembly		
2	<u>VT0000672</u>	Safety latch set		1
3	<u>VT0000757</u>	Hook	RSN4	1
3	<u>VT0003628</u>	Hook	RSN4	1
4	<u>VT0003630</u>	Bearing set		1
5	<u>VT0000758</u>	Bearing, thrust ball bearing		1
6	<u>VT0000674</u>	Locking set	6.3	1
7	<u>VT0000759</u>	Cover		1
8	<u>VT0000706</u>	Shaft set - To H0207868		1
8	<u>VT0001209</u>	Shaft set - From H0207869		1
9	<u>VT0003329</u>	Cover - From H0207869	(VT0001200)	2
10	<u>VT0000133</u>	Sheave, rope sheave	(VT0000803) (VT0000804) (VT0000805)	2
11	<u>VT0000708</u>	Side plate set		1
12	<u>VT0003340</u>	Sheave, rope sheave From H0207869	(VT0001210)	2
13	<u>VT0001226</u>	Locking plate		2

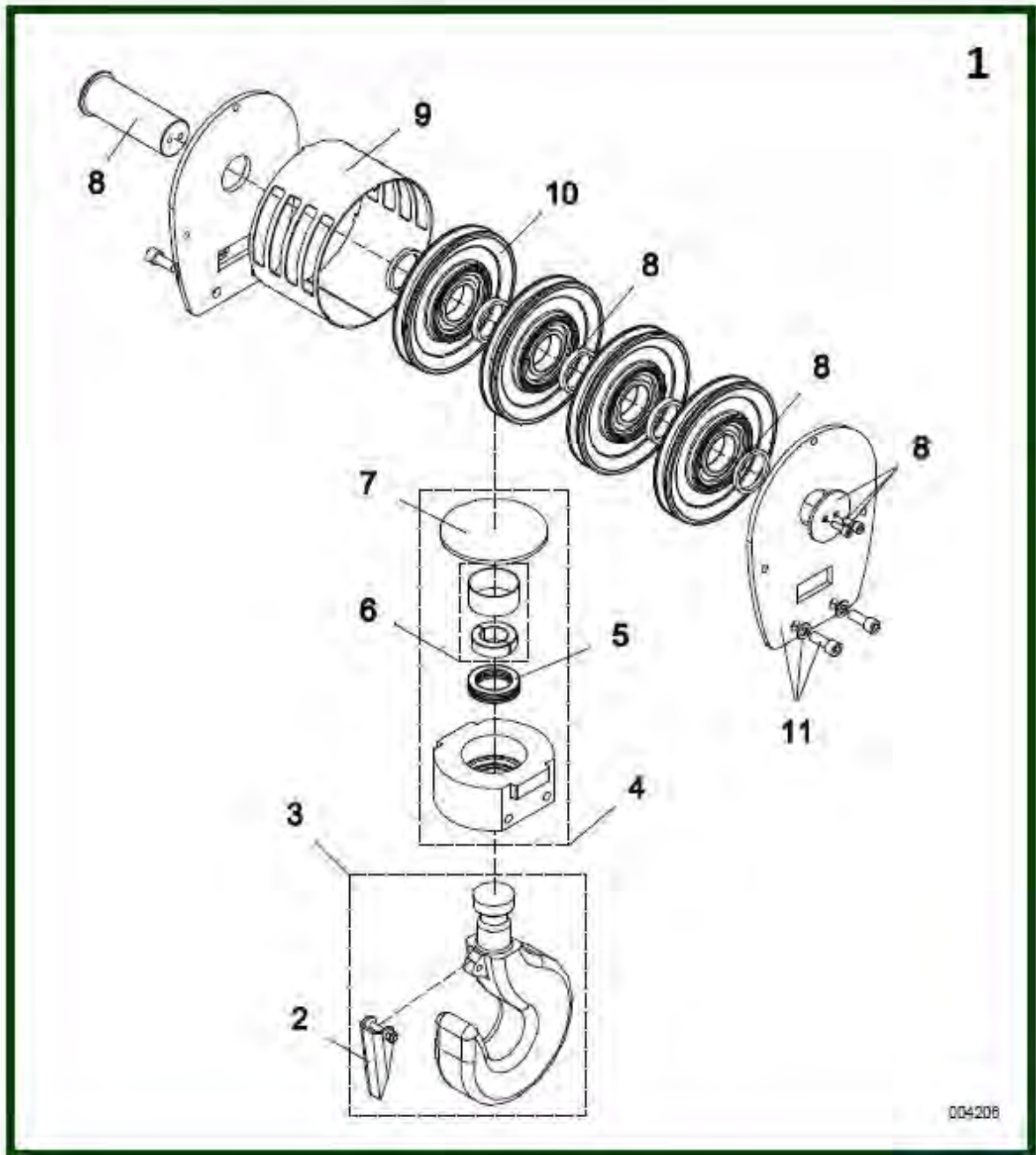
7.8. Reeve 6/1 - RSN hook



Reeve 6/1 - RSN hook

Item	Code	Description	Observations	Quantity
1	<u>VT0003305</u>	Hook assembly		1
2	<u>VT0000672</u>	Safety latch set - To H0206303	RSN4 - L 95MMX45MMR6/R8-(6.3-R4)	1
3	<u>VT0003628</u>	RSN hook	RSN4	1
4	<u>VT0000673</u>	Bearing set		1
5	<u>VT0000758</u>	Bearing, thrust ball bearing	51109-STD	1
6	<u>VT0000674</u>	Locking set	(6.3-R4)	1
7	<u>VT0000759</u>	Cover	D135T6-7021D135T6-7021	1
8	<u>VT0000675</u>	Shaft set		1
9	<u>VT0002183</u>	Cover		1
10	<u>VT0000133</u>	Sheave, rope sheave	(VT0000803)-(VT0000804)-(VT0000805)	4
11	<u>VT0003330</u>	Cover set	R6/R8/R22-R (VT0000677)	1

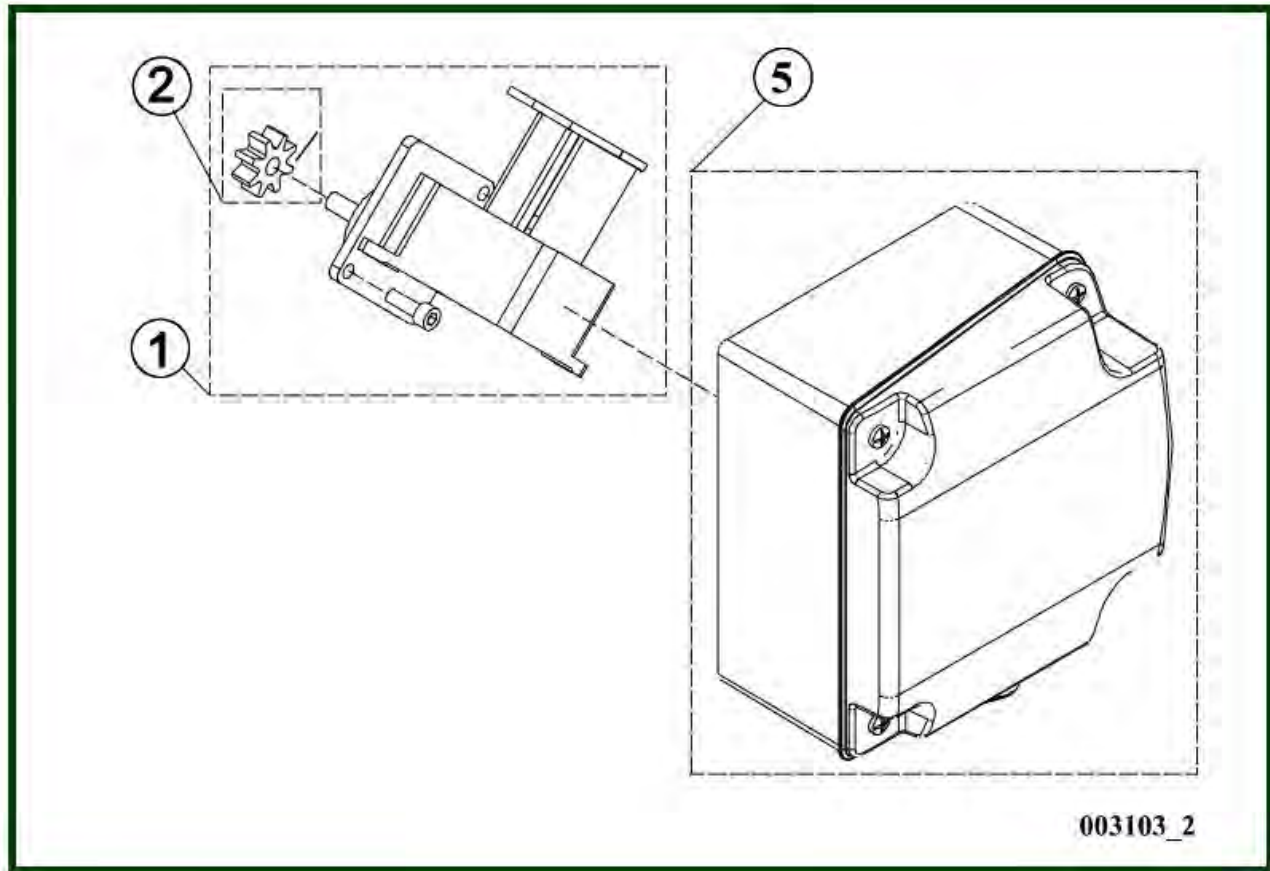
7.9. Reeve 8/1 - RSN hook



Reeve 8/1 - RSN hook

Item	Code	Description	Observations	Quantity
1	<u>VT0003306</u>	Hook assembly	8/1	1
2	<u>VT0000672</u>	Safety latch set – to H0206303	L 95MMX45MM	1
3	<u>VT0003628</u>	RSN hook	RSN4 - 7021	1
4	<u>VT0000673</u>	Bearing set		1
5	<u>VT0000758</u>	Bearing, thrust ball bearing		1
6	<u>VT0000674</u>	Locking set		1
7	<u>VT0000759</u>	Cover	D135T6-7021D135T6-7021	1
8	<u>VT0000676</u>	Shaft set		1
9	<u>VT0002184</u>	Cover		1
10	<u>VT0000133</u>	Sheave, rope sheave	(VT0000803)-(VT0000804)- (VT0000805)	4
11	<u>VT0003330</u>	Cover set	(VT0000677)	1

8. HOISTING LIMIT SWITCH



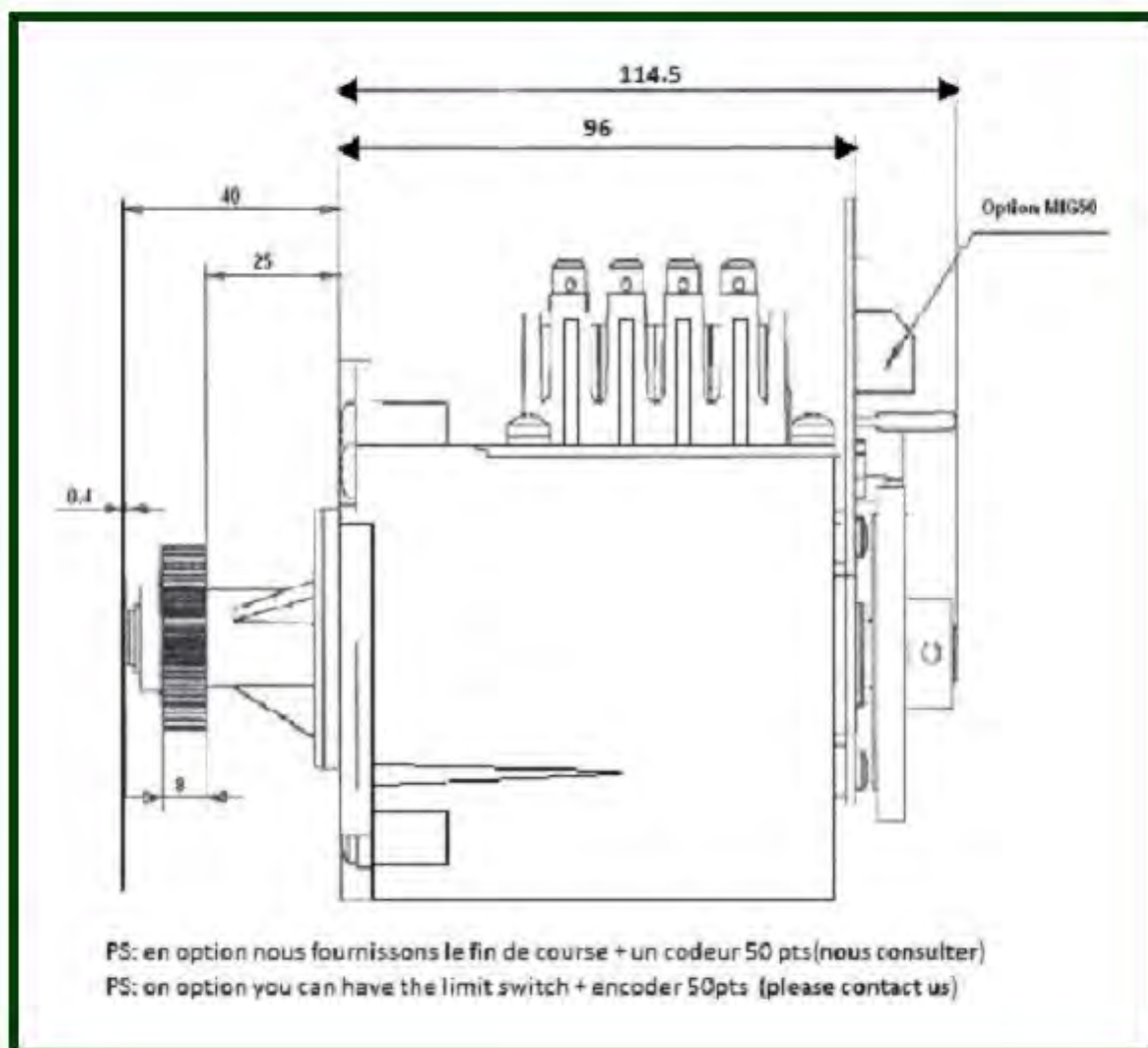
Item	Reference	Description	Observation	Quantity
1	<u>VT0000163</u>	Limit switch	Drum length : B - C	1
1	<u>VT0000512</u>	Limit switch	Drum length : D - E	1
2	<u>VT0000164</u>	Gear wheel set		1
5	<u>VT0002466</u>	Junction box	No suitable for hazardous areas Included part 4	1

8.1. Lifting standard



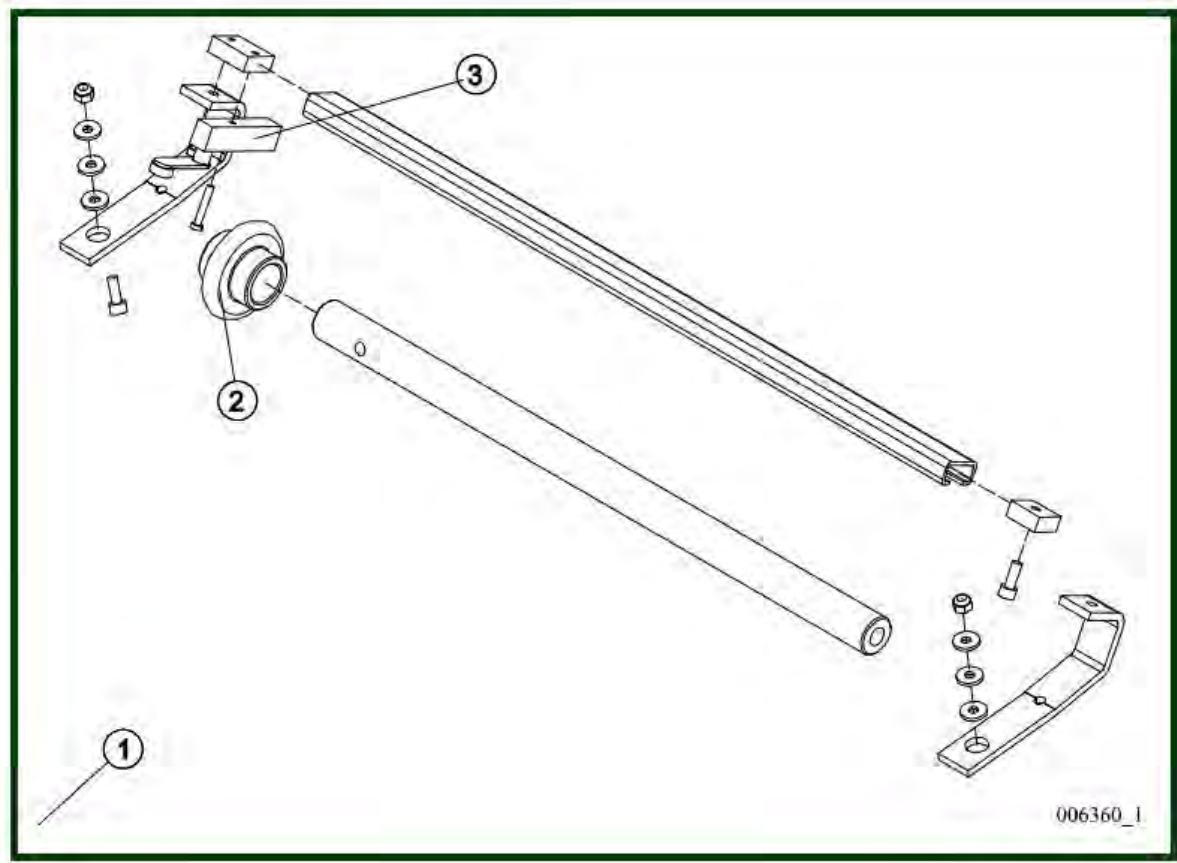
Item	Reference	Description	Observation	Quantity
1	VT0007083	Rotating limit switch	Rope drum B-C-D	1
1	VT0007370	Rotating limit switch	Rope drum E-F-G	1

8.2. Centred lifting



Item	Reference	Description	Observation	Quantity
1	<u>VT0007083</u>	Rotating limit switch	Rope drum Z-B-C-D-E	1
1	<u>VT0007370</u>	Rotating limit switch	Rope drum Y	1

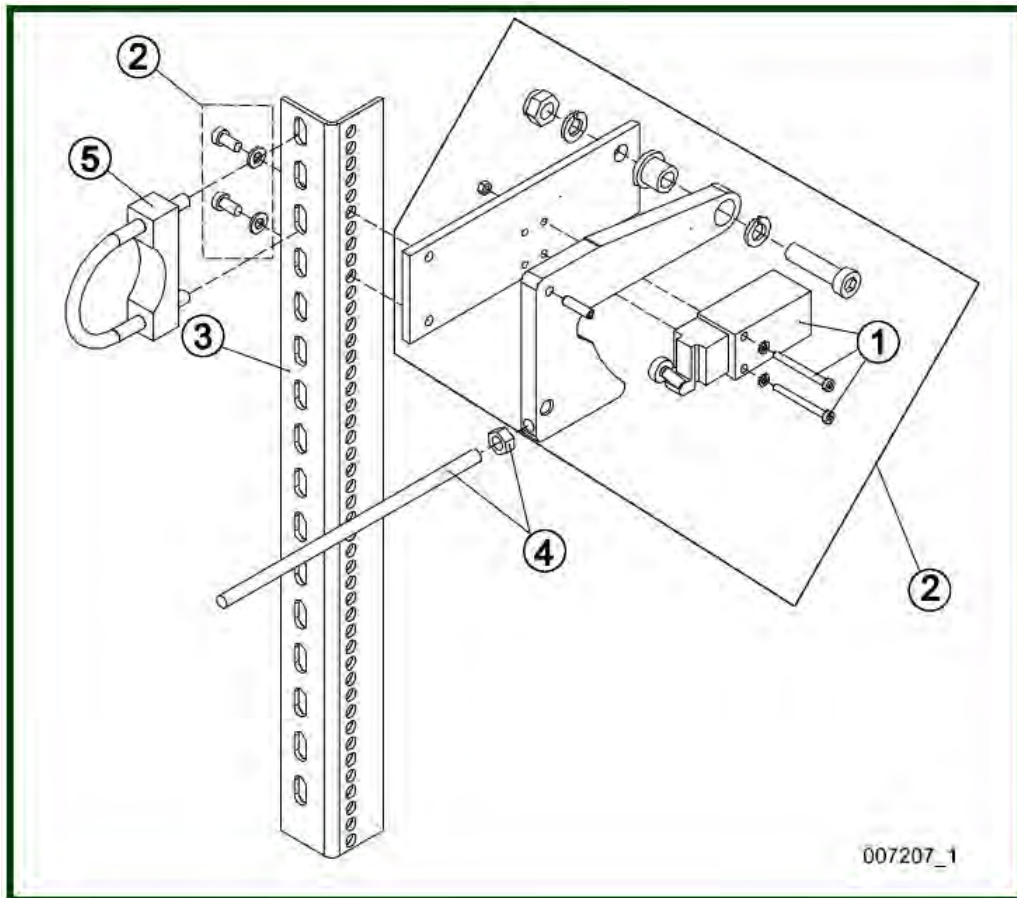
8.3. Hazardous areas : C1D2-ZONE1-ZONE2



Item	Reference	Description	Observation	Quantity
1	<u>VT0002037</u>	Complete limit switch	Drum length B	1
1	<u>VT0002038</u>	Complete limit switch	Drum length C	1
1	<u>VT0002039</u>	Complete limit switch	Drum length D	1
2	<u>VT0002040</u>	Wheel		1
3	<u>VT0002041</u>	Limit switch - To H0426030		2

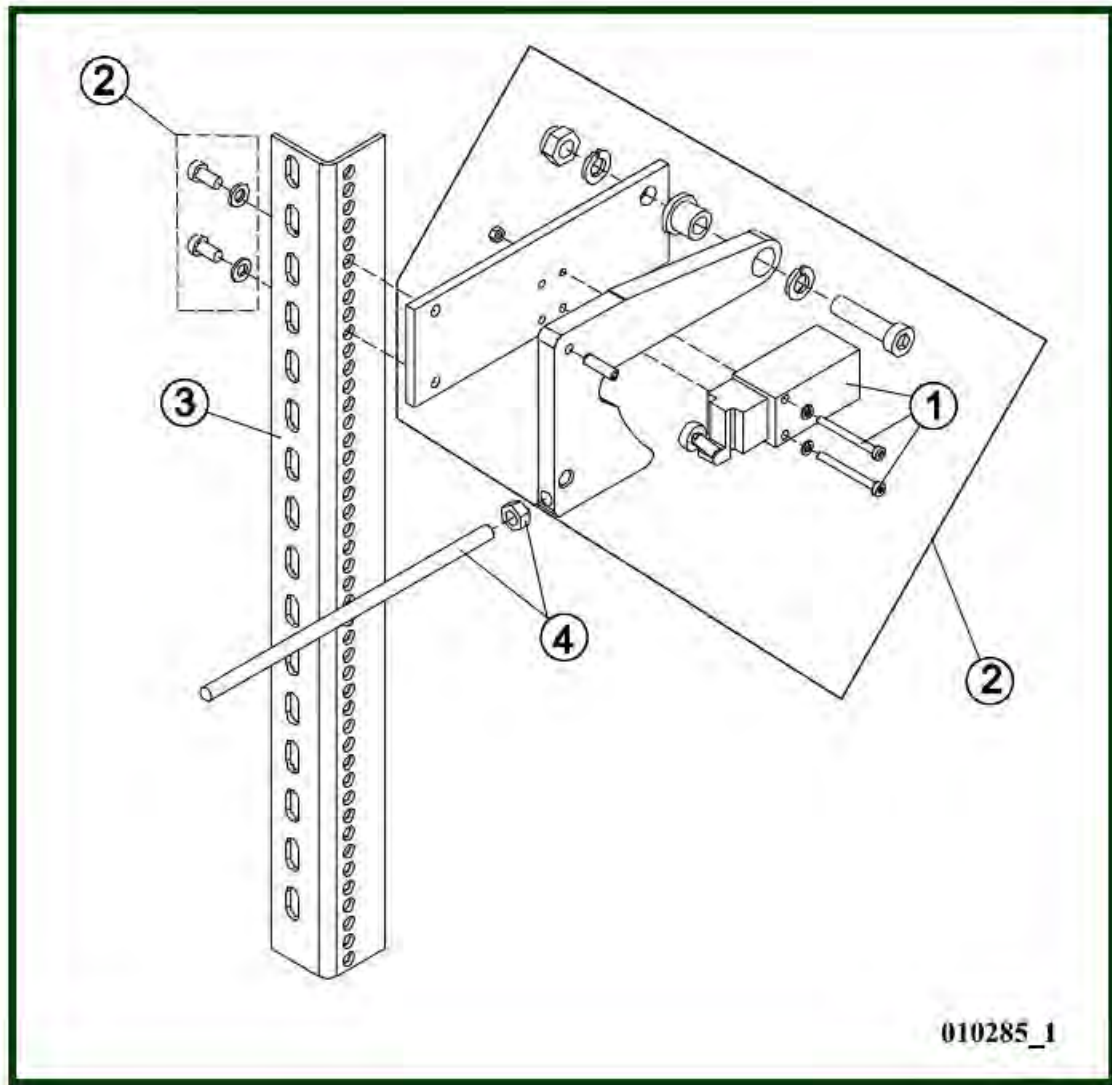
9. HOOK OPERATED LIMIT SWITCH

9.1. Trolley L – Low Headroom Trolley (LHT) « AUTO » - « MANUAL »



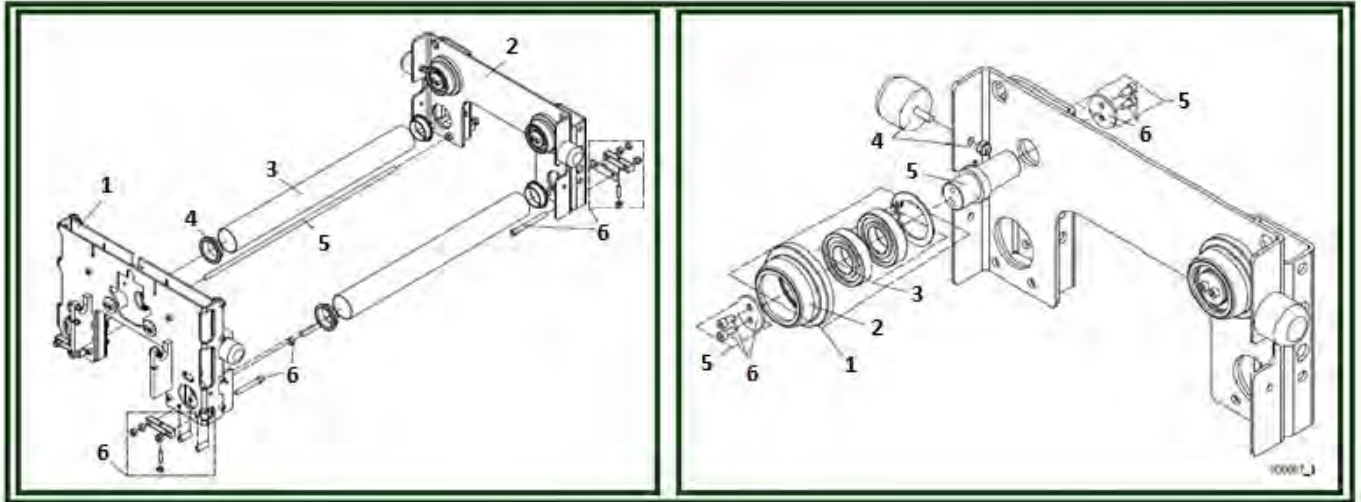
Item	Reference	Description	Observation	Quantity
1	VT0002157	Limit switch	“AUTO” No suitable for hazardous areas	1
1	VT0002158	Limit switch	“MANUAL” No suitable for hazardous areas	1
2	VT0002375	Limit switch equipment	“AUTO” No suitable for hazardous areas	1
2	VT0002376	Limit switch equipment	“MANUAL” No suitable for hazardous areas (VT0002160)	1
3	VT0002162	Profile, L profile		1
4	VT0002163	Bar		1
5	VT0002164	Clamp	Frame A	1
5	VT0002165	Clamp	Frame C	1
5	VT0002166	Clamp	Frame B	1

9.2. Trolley F-H-M-MA-MB-N-W – « AUTO » - « MANUAL »

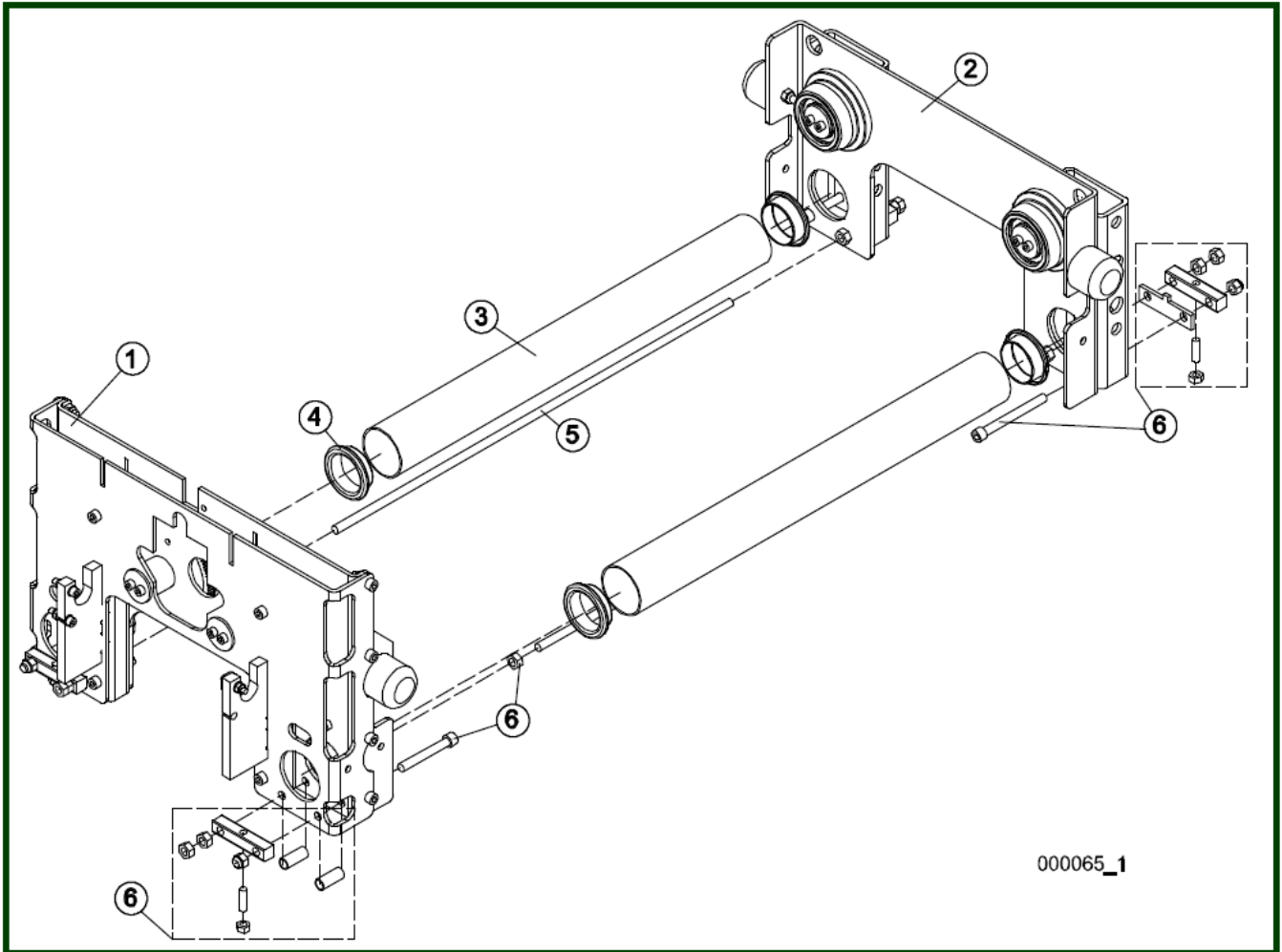


Item	Reference	Description	Observation	Quantity
1	VT0002157	Limit switch	“AUTO” No suitable for hazardous areas	1
1	VT0002158	Limit switch	“MANUAL” No suitable for hazardous areas	1
2	VT0002375	Limit switch equipment	“AUTO” No suitable for hazardous areas	1
2	VT0002376	Limit switch equipment	“MANUAL” No suitable for hazardous areas (VT0002160)	1
3	VT0002162	Profile, L profile		1
3	VT0002405	Support arm	4/2-8/2-12/2-16/2 - Frame A-B-C - Trolley M 4/1-6/1-8/1 - Frame D - Trolley N	1
4	VT0002163	Bar		1

10. CHARIOT L - Low Headroom Trolley (LHT)



10.1. <= 5000 Kgs

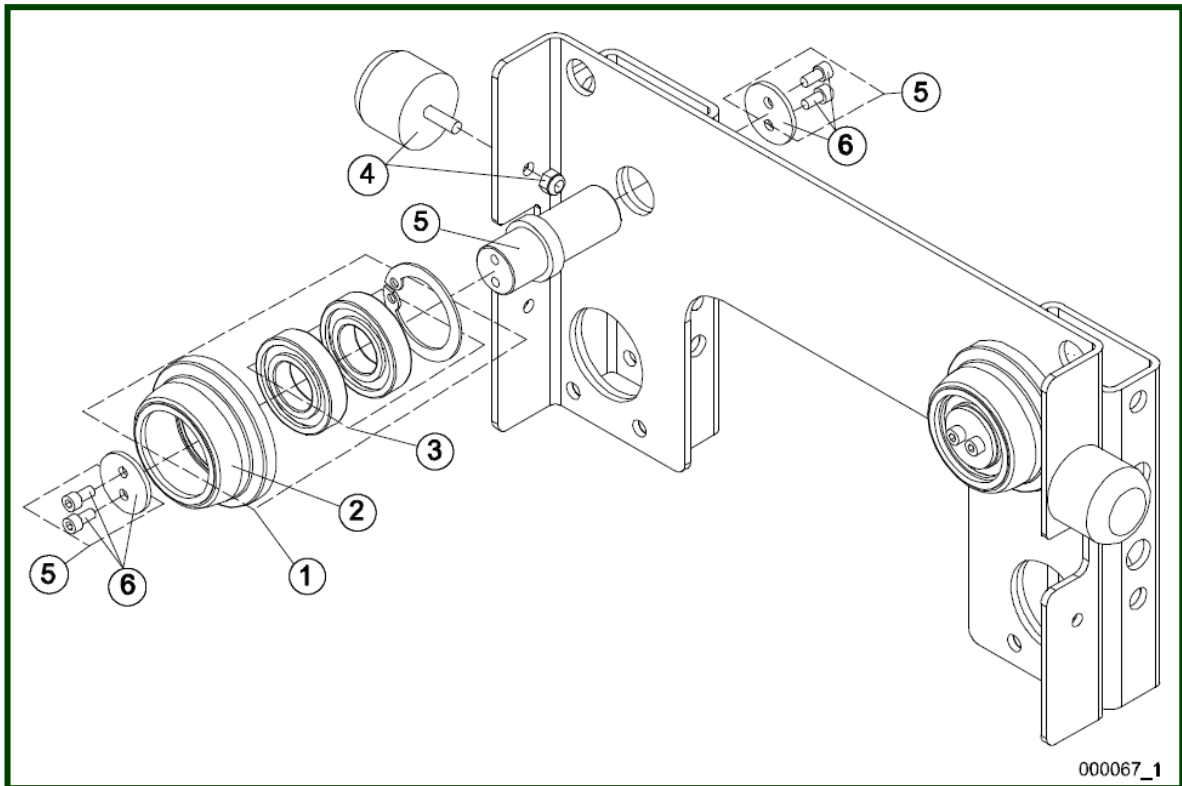


000065_1

Trolley L <= 5000 Kgs

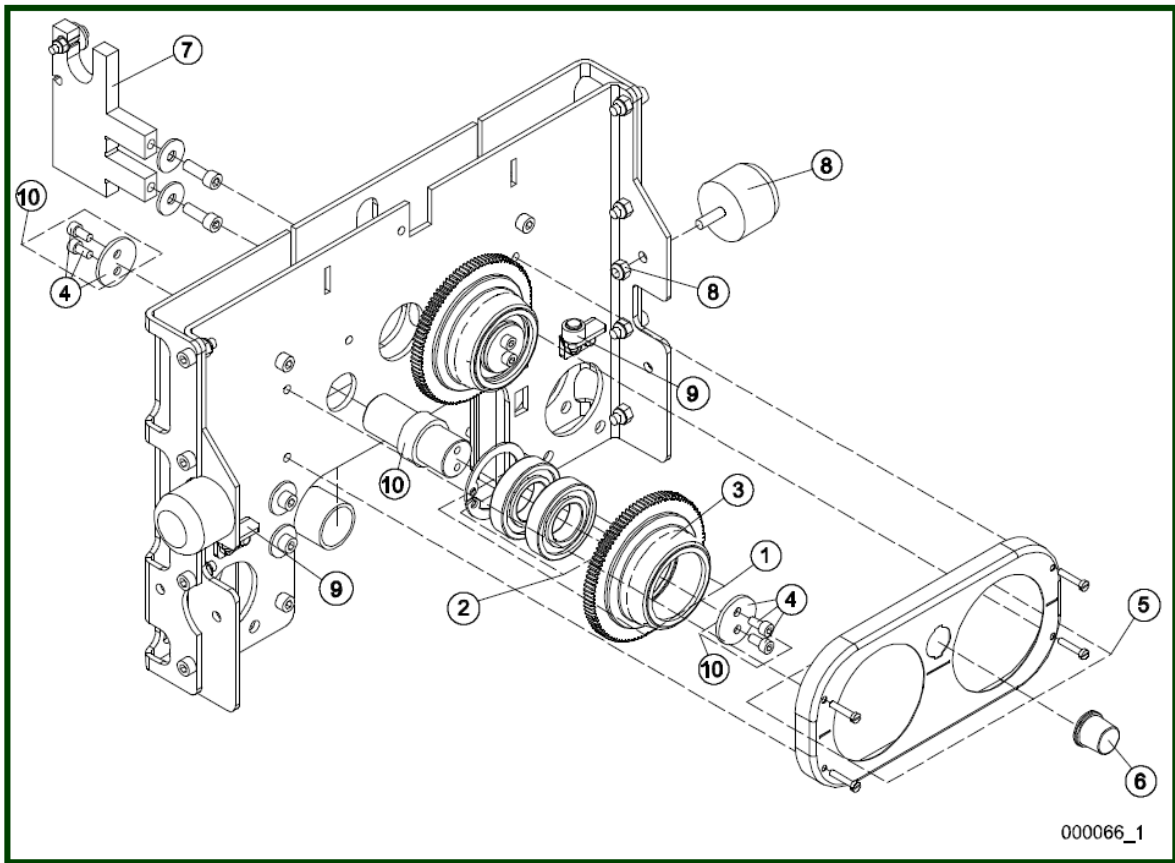
Item	Reference	Description	Observation	Quantity
1	<u>VT0000223</u>	Driving side plate	Drum length B - Standard wheel	1
1	<u>VT0000224</u>	Driving side plate	Drum length C - Standard wheel	1
1	<u>VT0000766</u>	Driving side plate	Drum length D - Standard wheel	1
2	<u>VT0000768</u>	Idle side plate	Drum length B – Special wheel	1
2	<u>VT0000225</u>	Idle side plate	Drum length B - Standard wheel	1
2	<u>VT0000769</u>	Idle side plate	Drum length C - Special wheel	1
2	<u>VT0000226</u>	Idle side plate	Drum length C - Standard wheel	1
2	<u>VT0000771</u>	Idle side plate	Drum length D - Special wheel	1
2	<u>VT0000770</u>	Idle side plate	Drum length D - Standard wheel	1
3	<u>VT0000170</u>	Intermediate beam	B-measure/Flange width 75 ... 490	2
3	<u>VT0000171</u>	Intermediate beam	B-measure/Flange width 491 ... 690	2
4	<u>VT0000172</u>	Cap		4
5	<u>VT0000227</u>	Screw rod	B-measure/Flange width 75 ... 490	2
5	<u>VT0000228</u>	Screw rod	B-measure/Flange width 491 ... 690	2
6	<u>VT0000173</u>	Fixing set		1

10.2. <= 5000 Kgs – Idle side plate



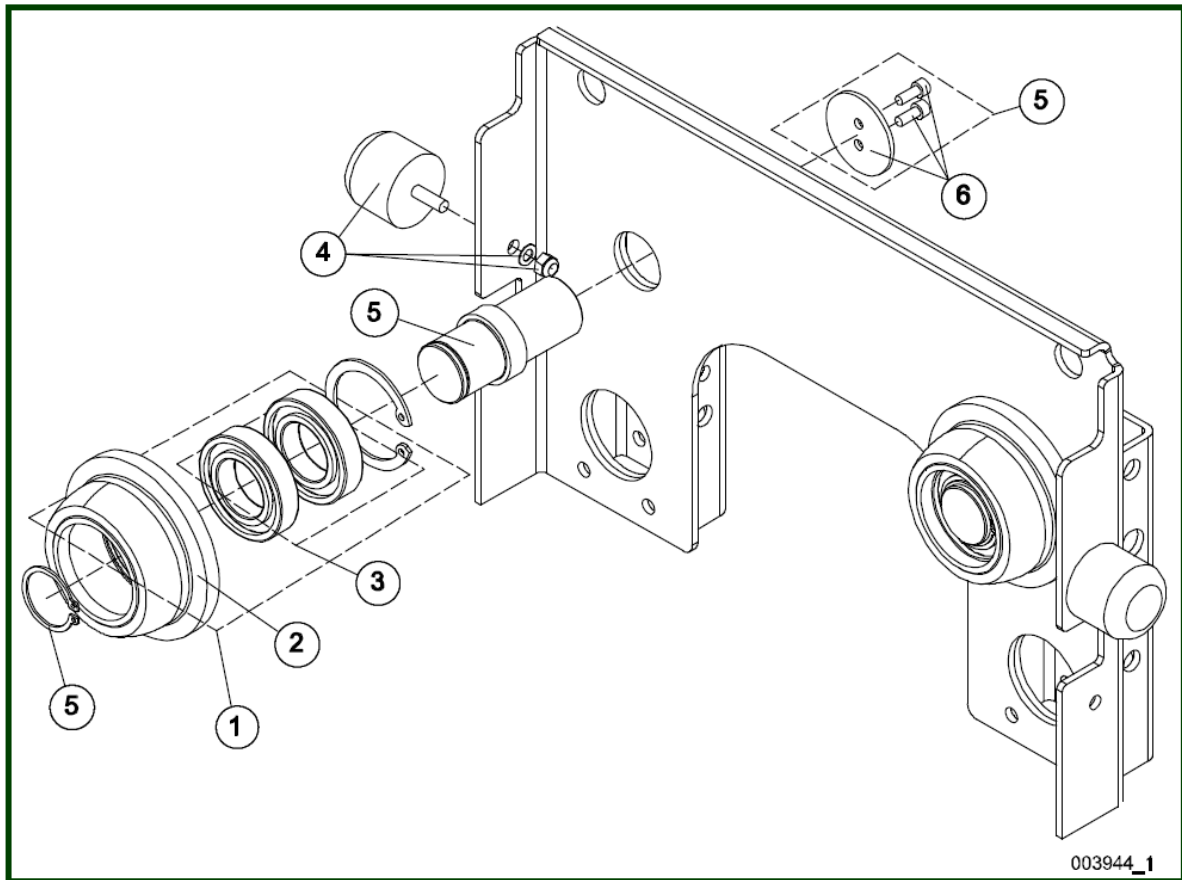
Item	Reference	Description	Observation	Quantity
1	<u>VT0000950</u>	Wheel set; Idle	Special wheel - Ø 100 (VT0002836)	2
3	<u>VT0000175</u>	Bearing set		2
4	<u>VT0000333</u>	Buffer	(VT1109LN04)	2
5	<u>VT0000176</u>	Shaft set		2
6	<u>VT0000177</u>	Fixing set		1

10.3. <= 5000 Kgs – Driving side plate



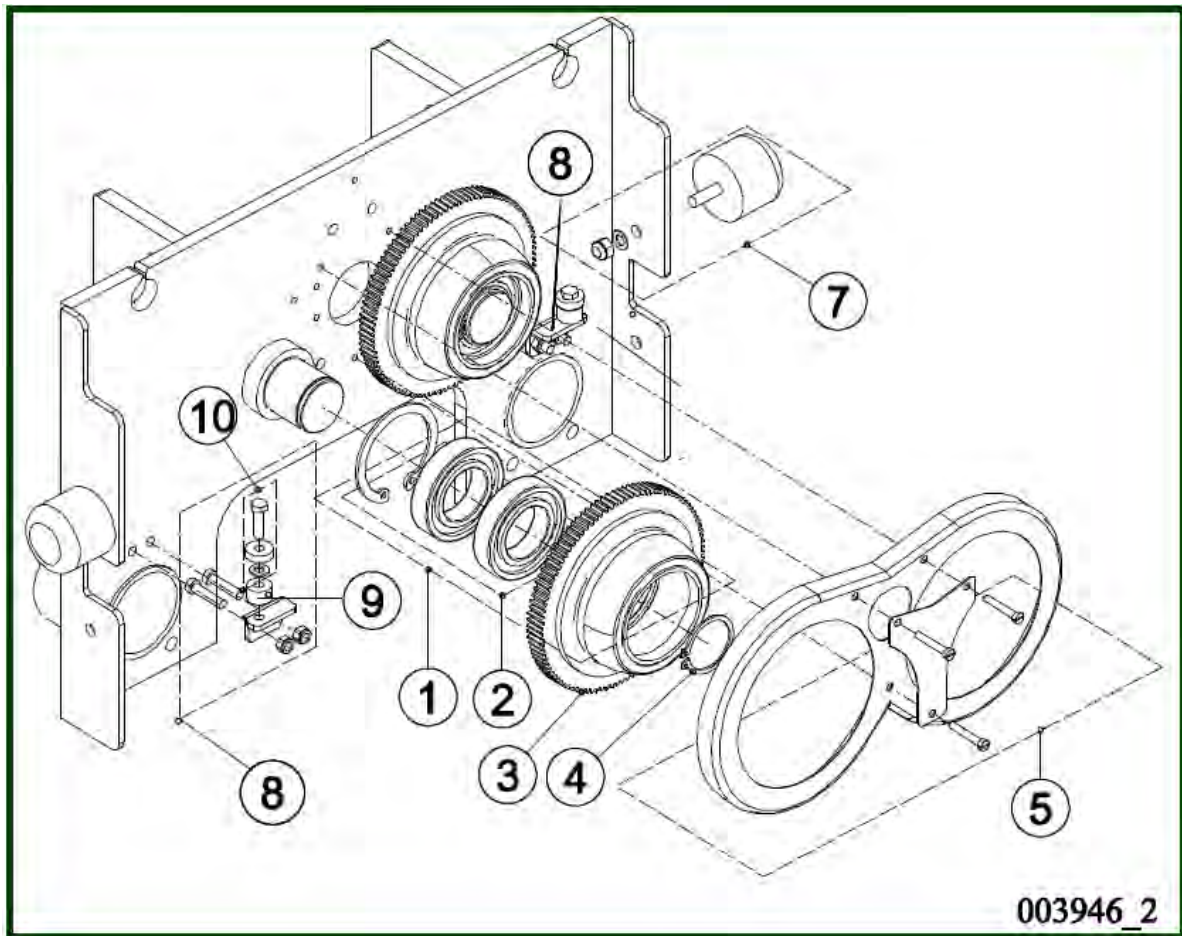
Item	Reference	Description	Observation	Quantity
1	<u>VT0000178</u>	Wheel set, driving	Standard wheel - Ø 100	2
1	<u>VT0002835</u>	Wheel set, driving	Special wheel - Ø 100 (VT0000668)	2
2	<u>VT0000175</u>	Bearing set		2
3	<u>VT0000074</u>	Travel wheel; driving	Wheel standard	2
4	<u>VT0000177</u>	Fixing set		1
5	<u>VT0000179</u>	Cover		1
6	<u>VT0000621</u>	Cap	(VT1109LN03)	1
7	<u>VT0000181</u>	Support		2
8	<u>VT0000333</u>	Buffer	(VT1109LN04)	1
9	<u>VT0000182</u>	Guide		2
10	<u>VT0000924</u>	Shaft set	(VT0000183)	2

10.4. > 5000 Kgs – Idle side plate



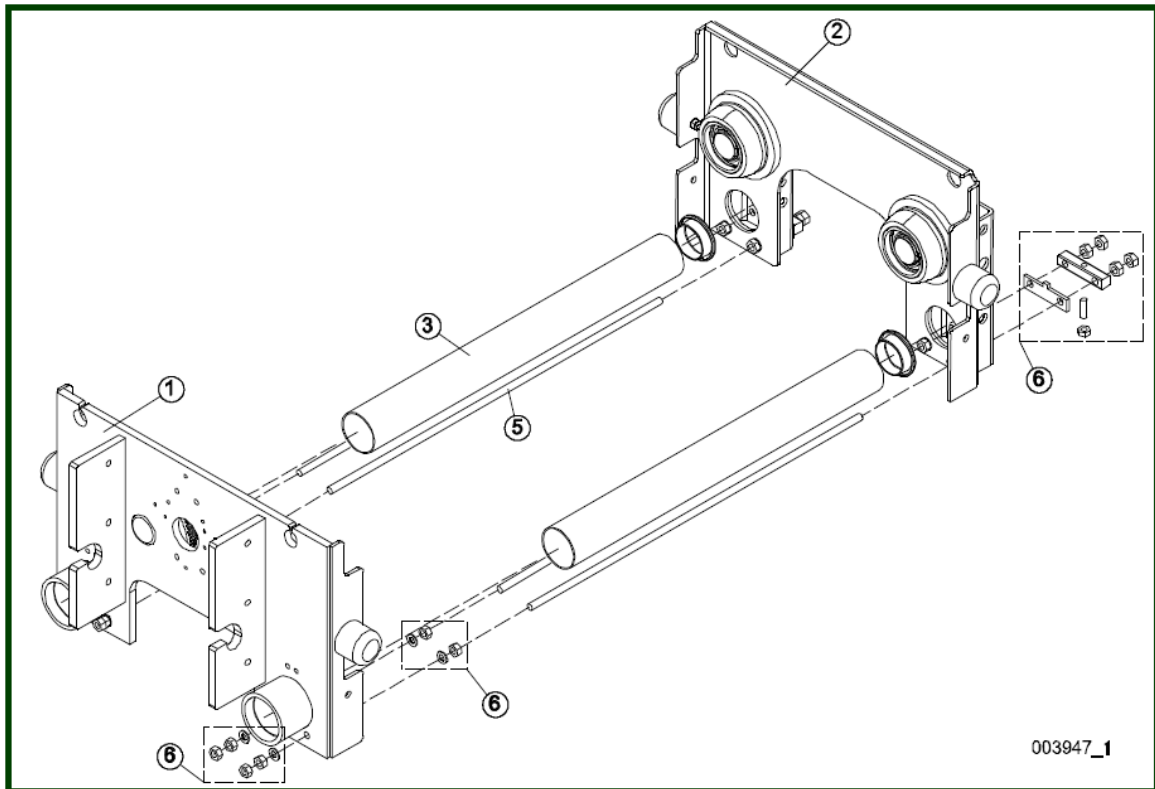
Item	Reference	Description	Observation	Quantity
1	VT0000882	Wheel set; Idle	∅ 125mm	2
2	VT0000332	Travel wheel	∅ 125mm	2
3	VT0000149	Bearing set		2
4	VT0000073	Buffer	6.3T	2
5	VT0000854	Shaft set	(VT0000883)	2
6	VT0000883	Fixing set	6.3T	2

10.5. > 5000 Kgs – Driving side plate



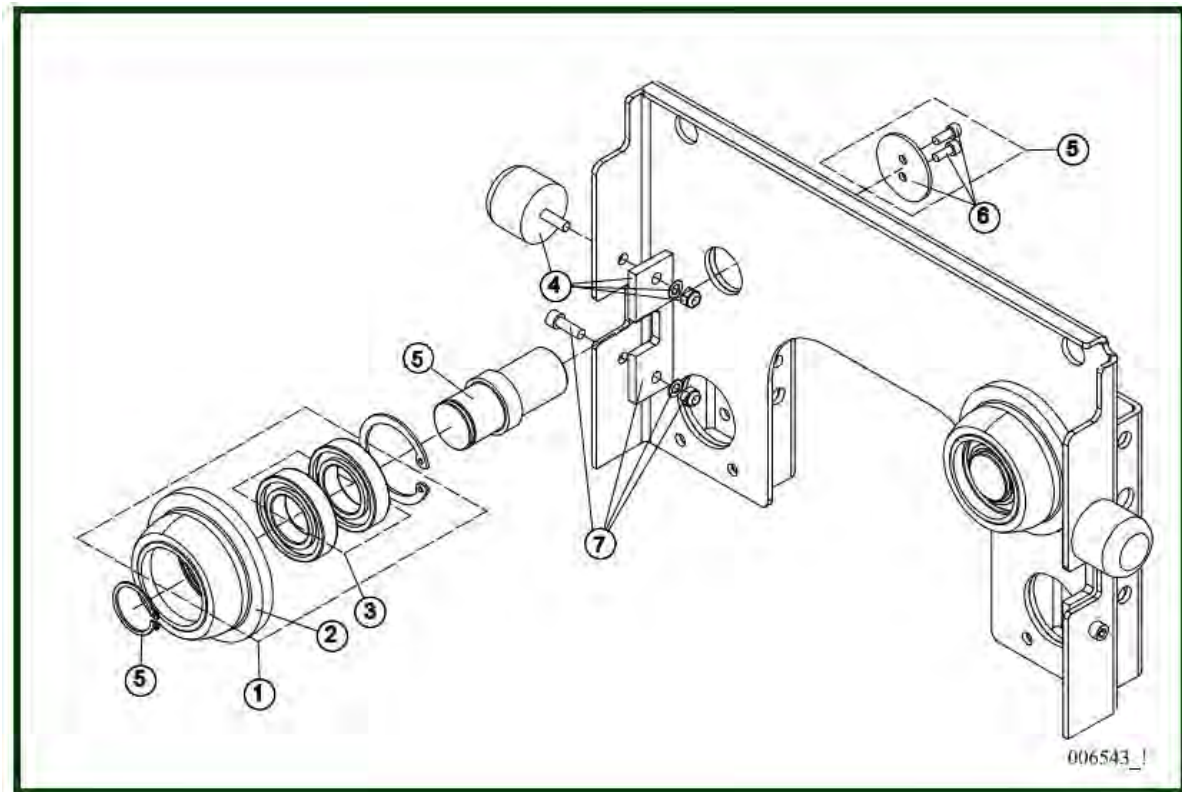
Item	Reference	Description	Observation	Quantity
1	VT0000703	Travel wheel set	Standard wheel - Ø 125mm (VT0000327) - (VT0002871)	2
1	VT0001793	Travel wheel set	Brass wheel - Ø 125mm	2
2	VT0000149	Bearing		4
3	VT0000328	Travel wheel	Standard wheel	1
3	VT0001794	Travel wheel	Brass wheel	2
4	VT0000781	Retaining ring		2
5	VT0000704	Cover set	(VT0000853)	1
7	VT0000073	Buffer	6.3 T	2
8	VT0000182	Guide		2
9	VT0002510	Sleeve	Ø8-Ø22 L13,5	2
10	VT0002511	Bearing set		2

10.6. > 5000 Kgs – Zones C1D2-ZONE1-ZONE2



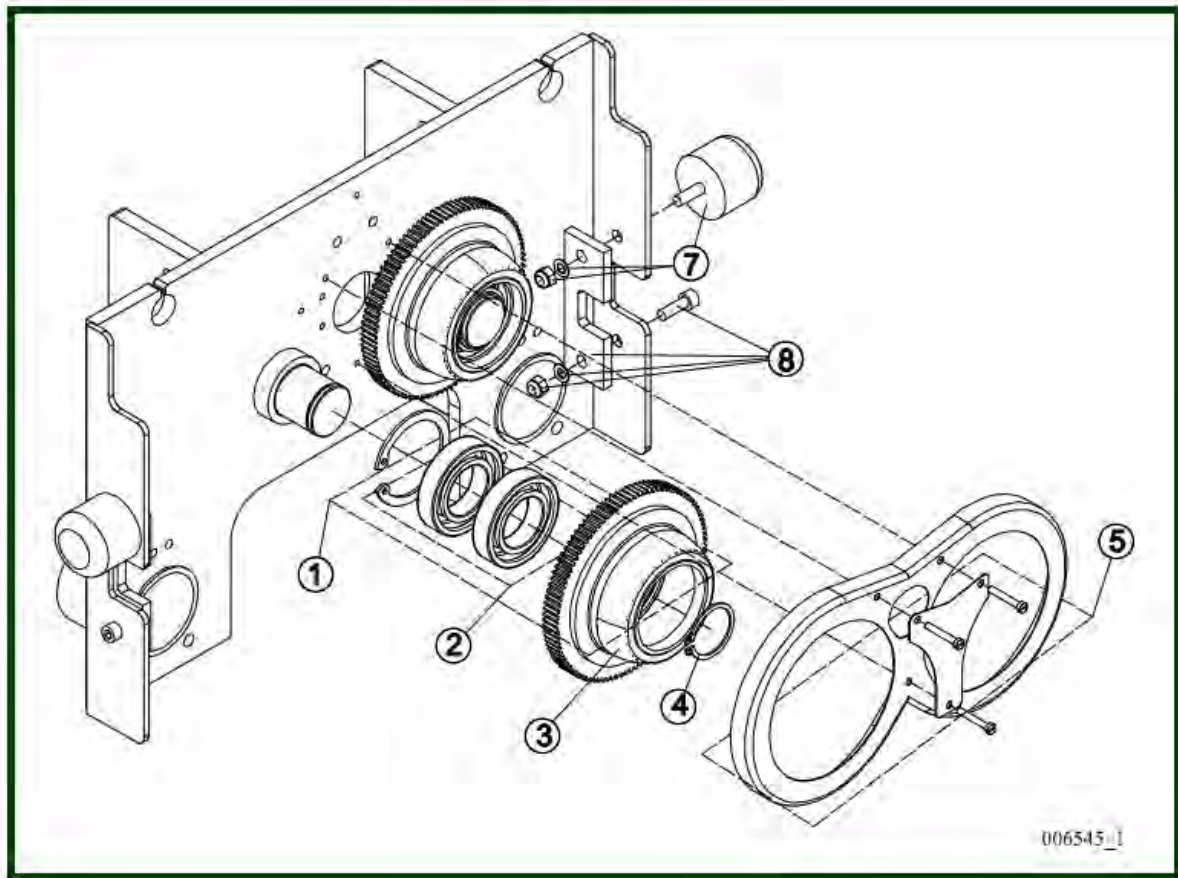
Item	Reference	Description	Observation	Quantity
1	<u>VT0000772</u>	Drive side plate	Hoist drum length B - C1D2 – Zone2	1
1	-	Drive side plate	Hoist drum length C - C1D2 – Zone2	
1	-	Drive side plate	Hoist drum length D - C1D2 – Zone2	
1	<u>VT0002014</u>	Drive side plate	Hoist drum length B - Zone1	1
1	<u>VT0002015</u>	Drive side plate	Hoist drum length C - Zone1	1
1	<u>VT0002016</u>	Drive side plate	Hoist drum length D - Zone1	1
1	<u>VT0002017</u>	Drive side plate	Hoist drum length B - Zone1 Wheel bronze	1
1	<u>VT0002018</u>	Drive side plate	Hoist drum length C - Zone1 Wheel bronze	1
1	<u>VT0002019</u>	Drive side plate	Hoist drum length D - Zone1 Wheel bronze	1
2	<u>VT0000775</u>	Idler side plate	Hoist drum length B - Zone C1D2-Zone2	1
2	<u>VT0000776</u>	Idler side plate	Hoist drum length C - Zone C1D2-Zone2	1
2	<u>VT0000777</u>	Idler side plate	Hoist drum length D - Zone C1D2-Zone2	1
2	<u>VT0002020</u>	Idler side plate	Hoist drum length B - Zone1	1
2	<u>VT0002024</u>	Idler side plate	Hoist drum length B - Zone1 Wheel bronze	1
2	<u>VT0002021</u>	Idler side plate	Hoist drum length C - Zone1	1
2	<u>VT0002025</u>	Idler side plate	Hoist drum length C - Zone1 Wheel bronze	1
2	<u>VT0002022</u>	Idler side plate	Hoist drum length D - Zone1	1
2	<u>VT0002026</u>	Idler side plate	Hoist drum length D - Zone1 Wheel bronze	1
3	<u>VT0000170</u>	Intermediate beam	B-measure/Flange width : 75-490 - Zone1	2
3	<u>VT0000171</u>	Intermediate beam	B-measure/Flange width : 491-690 - Zone1	2
4	<u>VT0000172</u>	Buffer		4
5	<u>VT0000227</u>	Screw rod	B-measure/Flange width : 75 ... 490	2
5	<u>VT0000228</u>	Screw rod	B-measure/Flange width : 491 ... 690	2
6	<u>VT0000702</u>	Fixing set		1

10.7. > 5000 Kgs – Idle side plate - Zones C1D2-ZONE1-ZONE2



Item	Reference	Description	Observation	Quantity
1	VT0001796	Wheel set; Idle	Brass wheel - Ø 125mm	2
2	VT0001885	Travel wheel	Brass wheel - Ø 125mm	2
3	VT0000149	Bearing set		2
4	VT0000073	Buffer	6.3T	2
5	VT0000854	Shaft set	(VT0000883)	2
6	VT0000883	Fixing set	6.3T	2
7	VT0001795	Support pièce	Zone C1D2-ZONE1-ZONE2	2

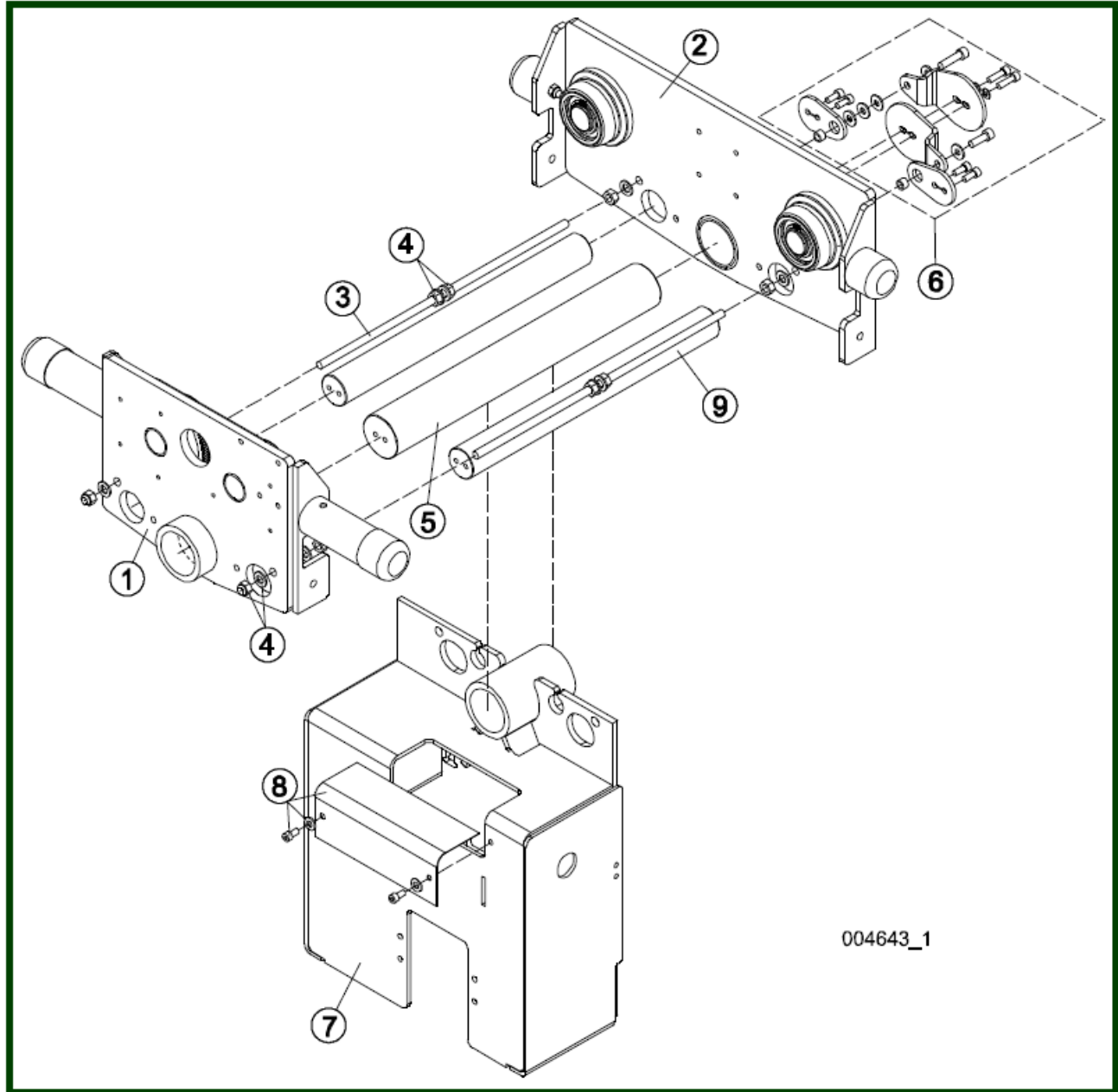
10.8. > 5000 Kgs – Driving side plate - Zones C1D2-ZONE1-ZONE2



Item	Reference	Description	Observation	Quantity
1	VT0000703	Travel wheel set	Standard wheel - Ø 125mm (VT0000327) - (VT0002871)	2
1	VT0001793	Travel wheel set	Brass wheel - Ø 125mm	2
2	VT0000149	Bearing set		4
3	-	Travel wheel		
3	VT0001794	Travel wheel	Brass wheel	2
4	VT0000781	Retaining ring		2
5	VT0000704	Cover set	(VT0000853)	1
7	VT0000073	Buffer	6.3 T	2
8	VT0001795	Support pièce	Zones C1D2-ZONE1-ZONE2	2

11. TROLLEY N – Normal Headroom Trolley (NHT)

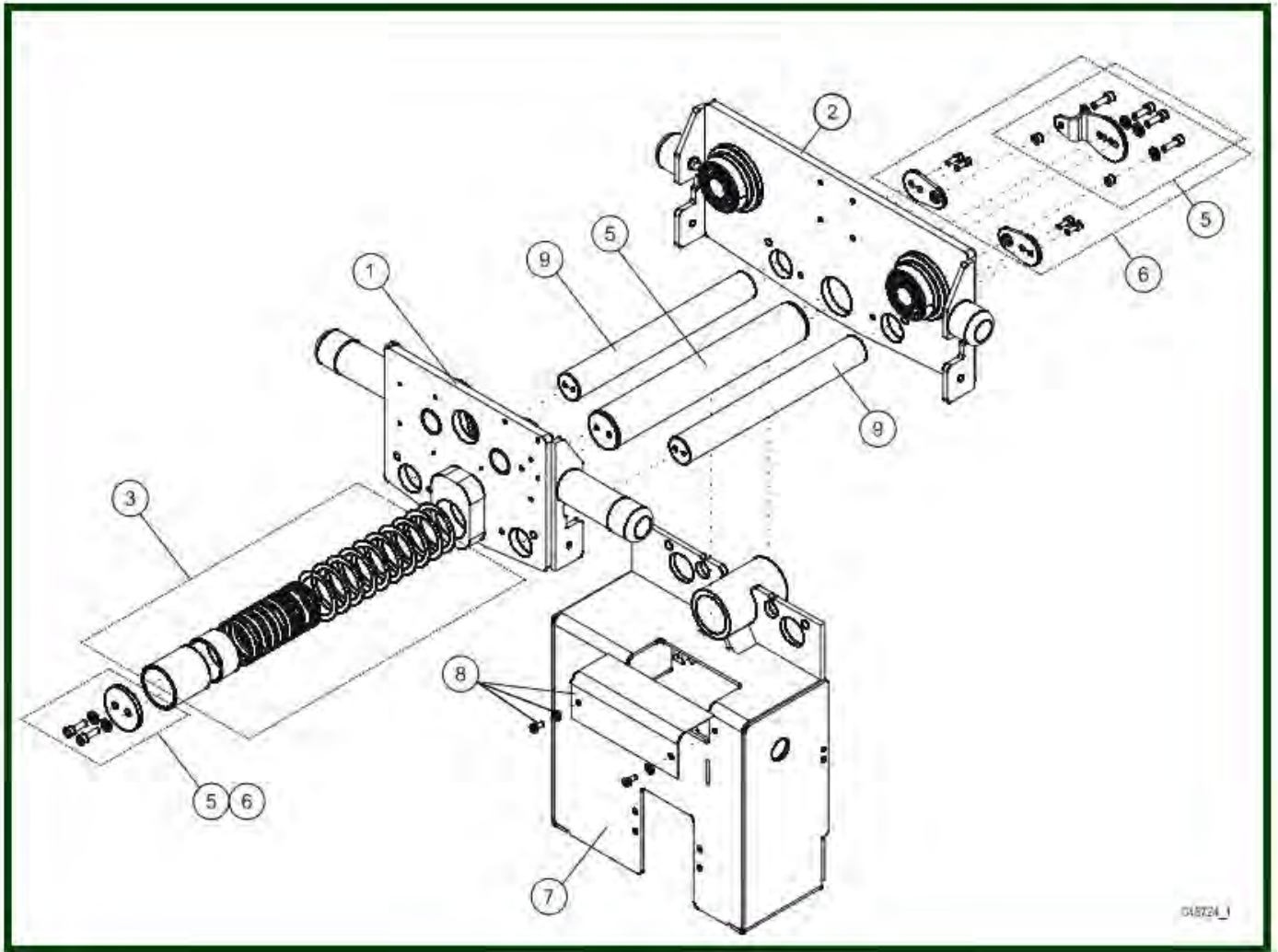
11.1. Reeve 2/1 – Rope drum B-C – To 2007



Reeve 2/1 – Rope drum B-C – To 2007

Element	Reference	Description	Observation	Quantity
1	<u>VT0000047</u>	Driving side plate	Standard wheel	1
1	<u>VT0000666</u>	Driving side plate	Special wheel	1
2	<u>VT0000414</u>	Idle side plate	Standard wheel	1
2	<u>VT0000667</u>	Idle side plate	Special wheel	1
3	<u>VT0000049</u>	Screw rod		2
4	<u>VT0000406</u>	Fixing set		1
5	<u>VT0000053</u>	Shaft set	B-measure/flange width : 75-200	1
5	<u>VT0000054</u>	Shaft set	B-measure/flange width : 201-330	1
5	<u>VT0000056</u>	Shaft set	B-measure/flange width : 331-450	1
5	<u>VT0000413</u>	Shaft set	B-measure/flange width : 451-610	1
6	<u>VT0000407</u>	Fixing plate		1
7	<u>VT0000409</u>	Frame		1
8	<u>VT0000412</u>	Fixing set		1
9	<u>VT0000049</u>	Screw rod		1

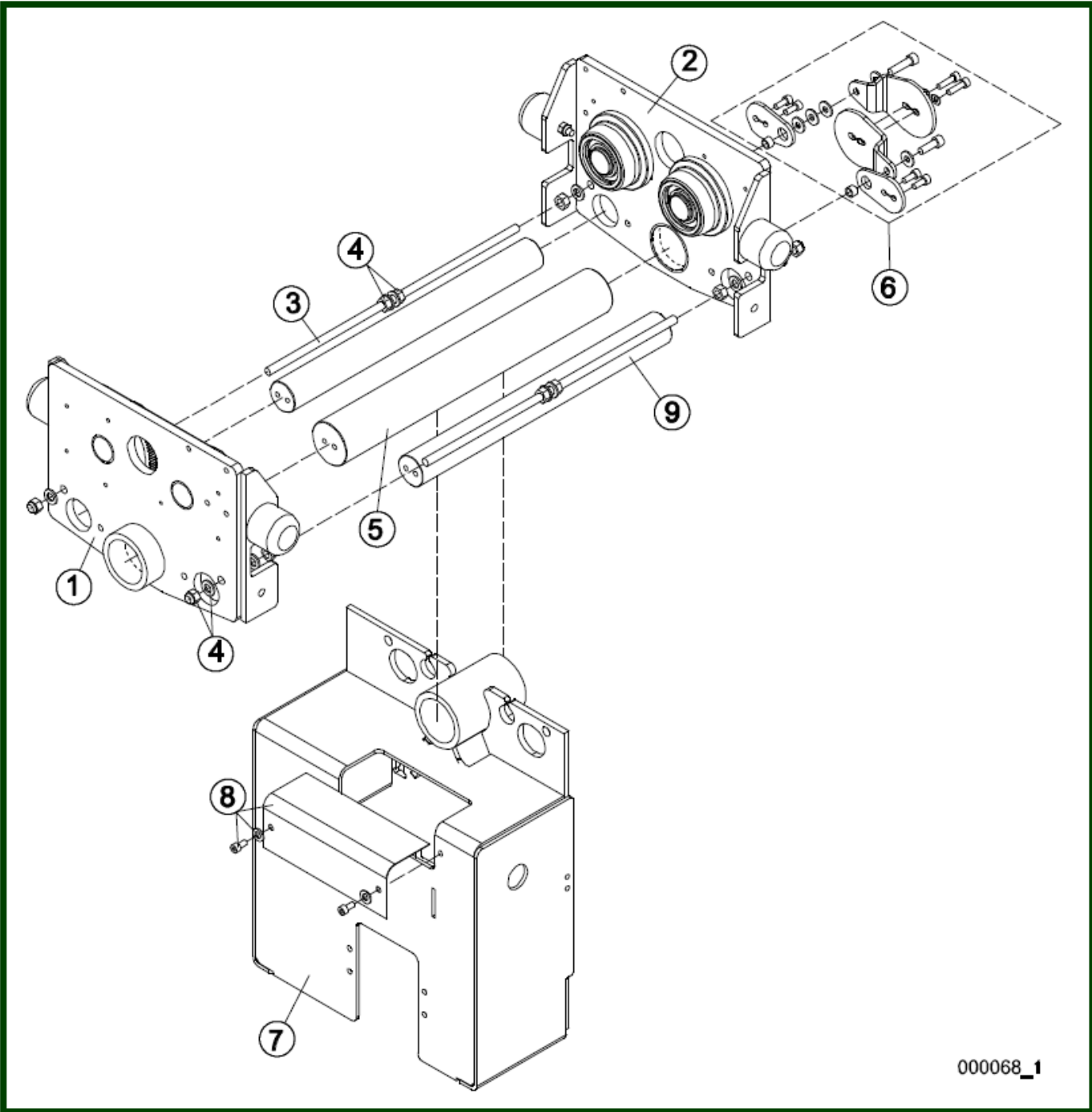
11.2. Reeve 2/1 – Rope drum B-C- From 2008



Trolley N - Reeve 2/1 – Rope drum B-C- From 2008

Item	Reference	Description	Observation	Quantity
1	VT0003757	Driving side plate	Standard wheel - Ø 100mm	1
1	VT0003760	Driving side plate	Special wheel - Ø 100mm	1
2	VT0003782	Idle side plate	Standard wheel - Ø 100mm (VT0000414)	1
2	VT0003783	Idle side plate	Special wheel - Ø 100mm (VT0000414)	1
3	52369474	Shaft set	B-measure/flange width : 75..200	2
3	52369475	Shaft set	B-measure/flange width : 201..330	2
3	52369477	Shaft set	B-measure/flange width : 331..450	2
3	VT0002820	Shaft set	B-measure/flange width : 451..610	2
4	VT0000406	Fixing set		1
5	VT0003778	Shaft set	B-measure/flange width : 75..200 (VT0000053)	1
5	VT0003779	Shaft set	B-measure/flange width : 201..330 (VT0000054)	1
5	VT0003780	Shaft set	B-measure/flange width : 331..450 (VT0000056)	1
5	VT0003781	Shaft set	B-measure/flange width : 451..610 (VT0000413)	1
6	-	Fixing plate		
7	-	Frame		
8	VT0000412	Fixing set		1
9	VT0003774	Shaft	B-measure/flange width : 75..200 (VT0000057)	1
9	VT0003775	Shaft	B-measure/flange width : 201..330 (VT0000059)	1
9	VT0003776	Shaft	B-measure/flange width : 331..450 (VT0000060)	1
9	VT0003777	Shaft	B-measure/flange width : 451..610 (VT0002593)	1

11.3. Reeve 4/1 – Rope drum B-C – To 2007

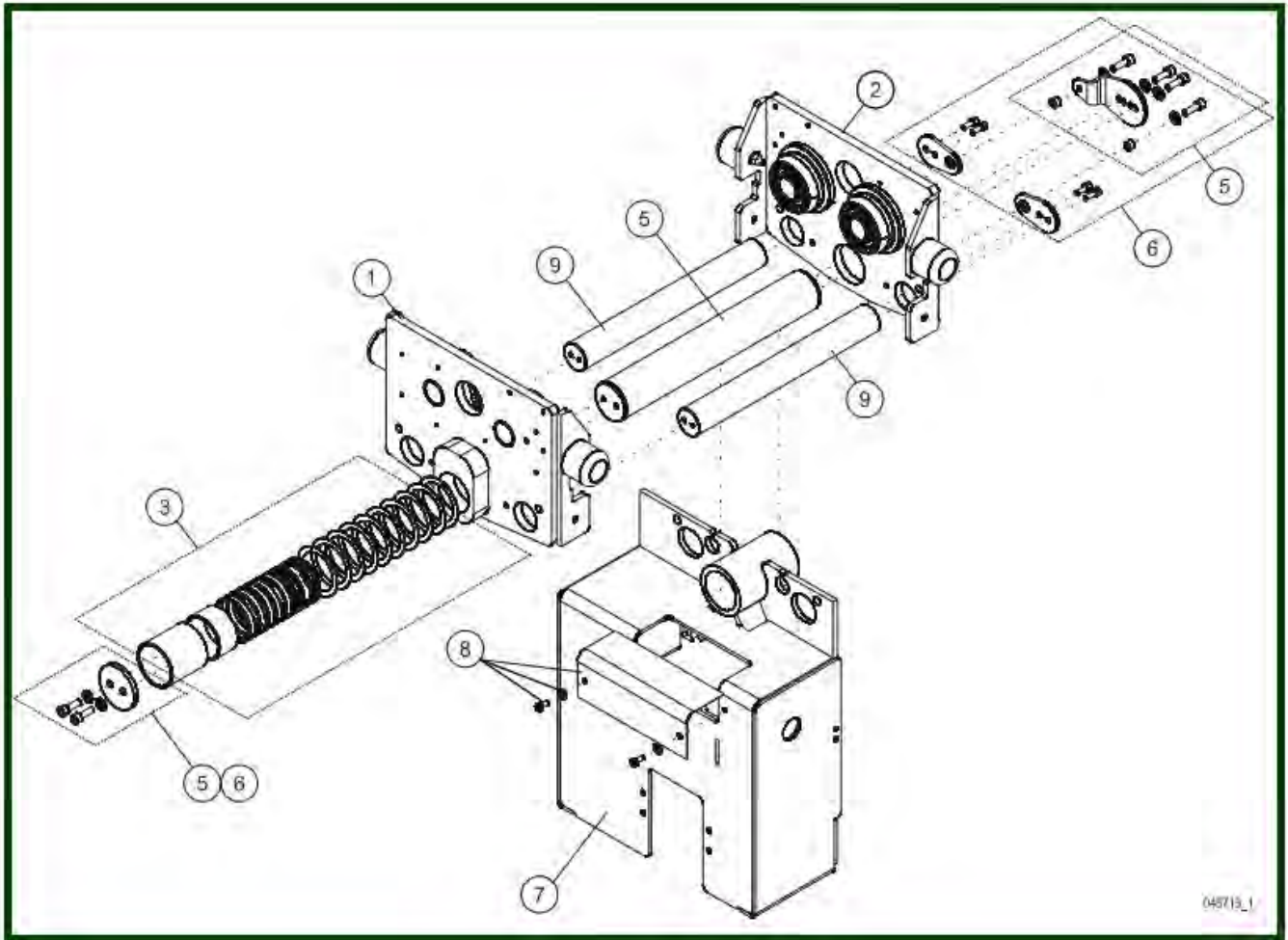


000068_1

Trolley N - Reeve 4/1 – Rope drum B-C – to 2007

Item	Reference	Description	Observation	Quantity
1	<u>VT0000047</u>	Driving side plate	Standard wheel - Ø 100mm	1
1	<u>VT0000666</u>	Driving side plate	Special wheel - Ø 100mm	1
2	<u>VT0000044</u>	Idle side plate	Standard wheel - Ø 100mm	1
2	<u>VT0000667</u>	Idle side plate	Special wheel - Ø 100mm	1
3	<u>VT0000049</u>	Screw rod		2
4	<u>VT0000406</u>	Fixing set		1
5	<u>VT0003778</u>	Shaft set	B-measure/flange width : 75..200	1
5	<u>VT0003779</u>	Shaft set	B-measure/flange width : 201..330	1
5	<u>VT0003780</u>	Shaft set	B-measure/flange width : 331..450	1
5	<u>VT0003781</u>	Shaft set	B-measure/flange width : 451..610	1
6	<u>VT0000407</u>	Fixing set		1
7	<u>VT0000409</u>	Frame		1
8	<u>VT0000412</u>	Fixing set		1
9	<u>VT0000049</u>	Screw rod		1

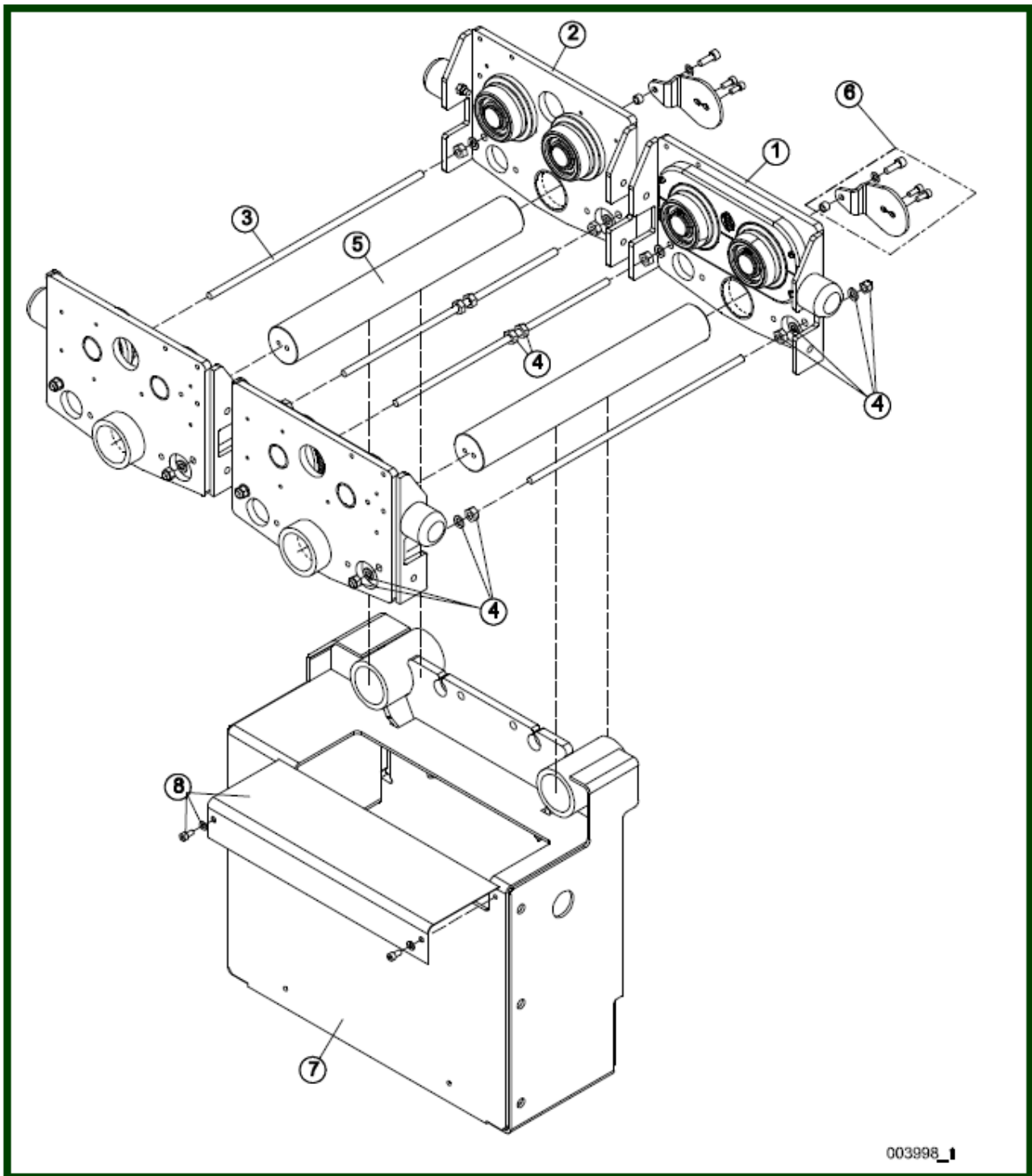
11.4. Reeve 4/1 – Rope drum B-C – From 2008



Trolley N - Reeve 4/1 – Rope drum B-C – From 2008

Item	Reference	Description	Observation	Quantity
1	<u>VT0003757</u>	Driving side plate	Standard wheel - Ø 100mm	1
2	<u>VT0003782</u>	Idle side plate	Special wheel - Ø 100mm	1
3	<u>VT0002817</u>	Screw rod	B-measure/flange width : 75..200	2
3	<u>VT0002818</u>	Screw rod	B-measure/flange width : 201..330	2
3	<u>VT0002819</u>	Screw rod	B-measure/flange width : 331..450	2
3	<u>VT0002820</u>	Screw rod	B-measure/flange width : 451..610	2
4	<u>VT0000406</u>	Fixing set		1
5	<u>VT0003778</u>	Shaft set	B-measure/flange width : 75..200 (VT0000053)	1
5	<u>VT0003779</u>	Shaft set	B-measure/flange width : 201..330 (VT0000054)	1
5	<u>VT0003780</u>	Shaft set	B-measure/flange width : 331..450 (VT0000056)	1
5	<u>VT0003781</u>	Shaft set	B-measure/flange width : 451..610 (VT0000413)	1
6	-	Fixing plate		
7	-	Frame		
8	<u>VT0000412</u>	Fixing set		1
9	<u>VT0003774</u>	Shaft	B-measure/flange width : 75..200 (VT0000057)	1
9	<u>VT0003775</u>	Shaft	B-measure/flange width : 201..330 (VT0000059)	1
9	<u>VT0003776</u>	Shaft	B-measure/flange width : 331..450 (VT0000060)	1
9	<u>VT0003777</u>	Shaft	B-measure/flange width : 451..610 (VT0002593)	1

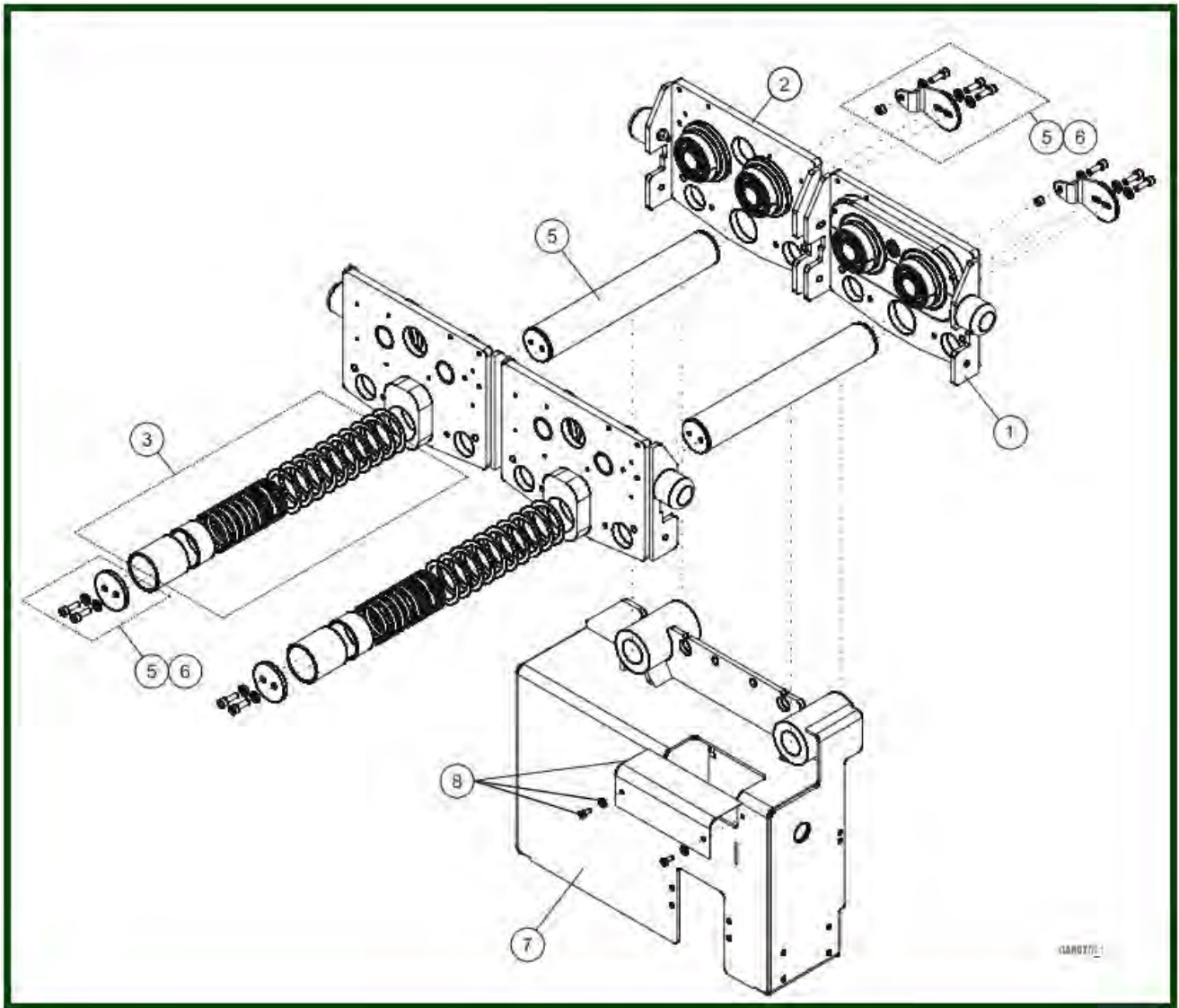
11.5. Reeve 2/1 & 4/1 – Rope drum D-E – Old model



Trolley N - Reeve 2/1 & 4/1 - Rope drum D-E – Old model

Item	Reference	Description	Observation	Quantity
1	<u>VT0000047</u>	Side plate	Standard wheel - Ø 100mm	1
1	<u>VT0000666</u>	Side plate	Special wheel - Ø 100mm	1
2	<u>VT0000044</u>	Side plate	Standard wheel - Ø 100mm	1
2	<u>VT0000667</u>	Side plate	Special wheel - Ø 100mm	1
3	<u>VT0000049</u>	Screw rod		2
4	<u>VT0000406</u>	Fixing set		2
5	<u>VT0000053</u>	Shaft set	B-measure/flange width : 75 ... 200	1
5	<u>VT0000054</u>	Shaft set	B-measure/flange width : 201 ... 330	1
5	<u>VT0000056</u>	Shaft set	B-measure/flange width : 331 ... 450	1
5	<u>VT00004113</u>	Shaft set	B-measure/flange width : 451 ... 610	1
6	<u>VT0000670</u>	Fixing set		2
7	<u>VT0000410</u>	Frame		1
8	<u>VT0000412</u>	Fixing set		1

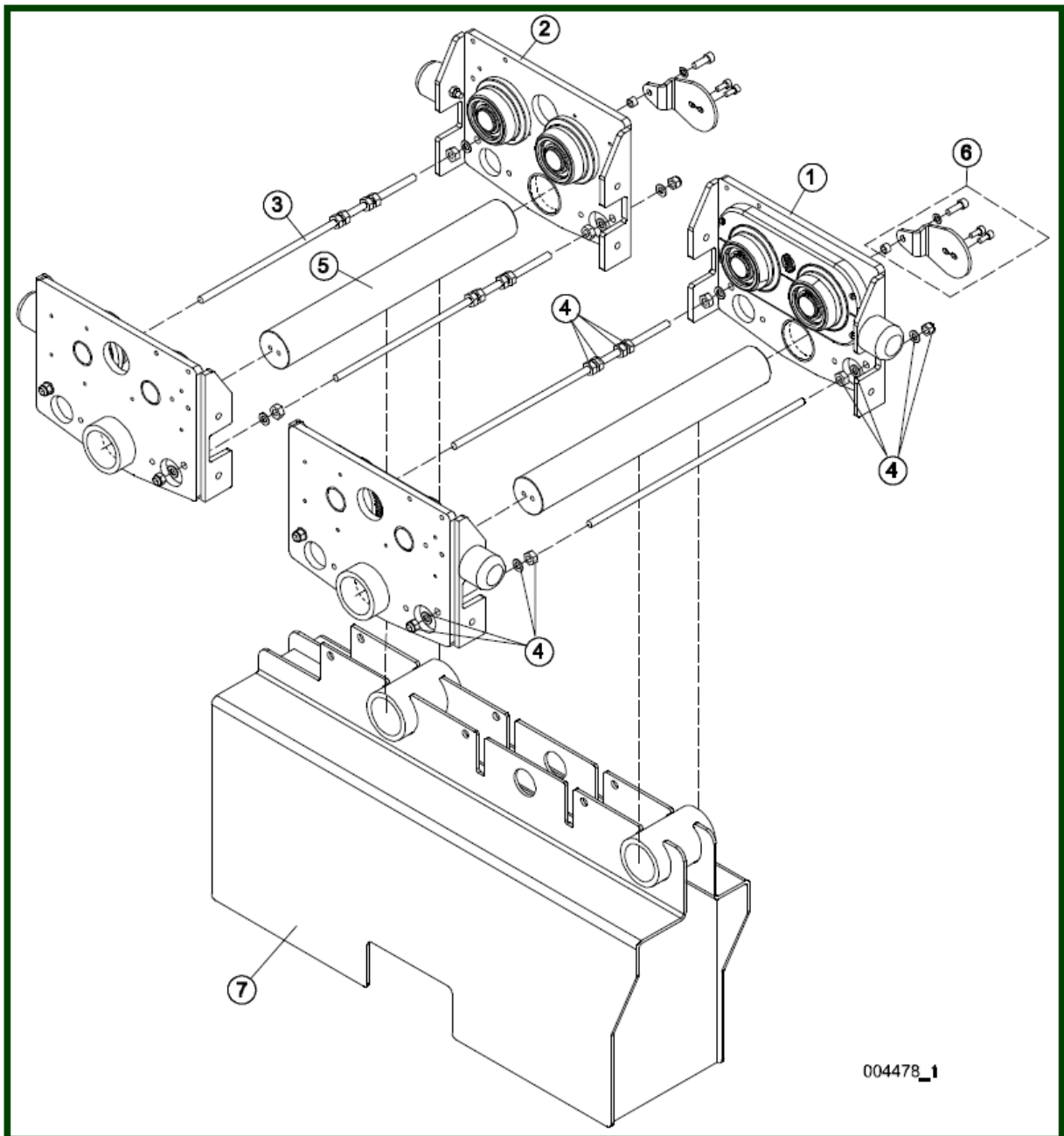
11.6. Reeve 2/1 & 4/1 – Rope drum D-E – New model



Reeve 2/1 & 4/1 – Rope drum D-E – New model

Item	Reference	Description	Observation	Quantity
1	<u>VT0003757</u>	Flange	Standard wheel - Ø 100mm	1
1	<u>VT0003760</u>	Flange	Special wheel - Ø 100mm	1
2	<u>VT0003759</u>	Flange	Special wheel - Ø 100mm (VT0003758) (VT0000667) (VT0000791)	1
3	-	Screw rod	B-measure/flange width : 75..200	
3	-	Screw rod	B-measure/flange width : 201..330	
3	-	Screw rod	B-measure/flange width : 331..450	
3	-	Screw rod	B-measure/flange width : 451..610	
4	-	Fixing set	See view of old model	2
5	<u>VT0003778</u>	Shaft set	B-measure/flange width : 75..200 (VT0000053)	1
5	<u>VT0003779</u>	Shaft set	B-measure/flange width : 201..330 (VT0000054)	1
5	<u>VT0003780</u>	Shaft set	B-measure/flange width : 331..450 (VT0000056)	1
5	<u>VT0003781</u>	Shaft set	B-measure/flange width : 451..610	1
6	<u>VT0000670</u>	Fixing set		2
7	<u>VT0000410</u>	Frame		1
8	<u>VT0000412</u>	Fixing set		1

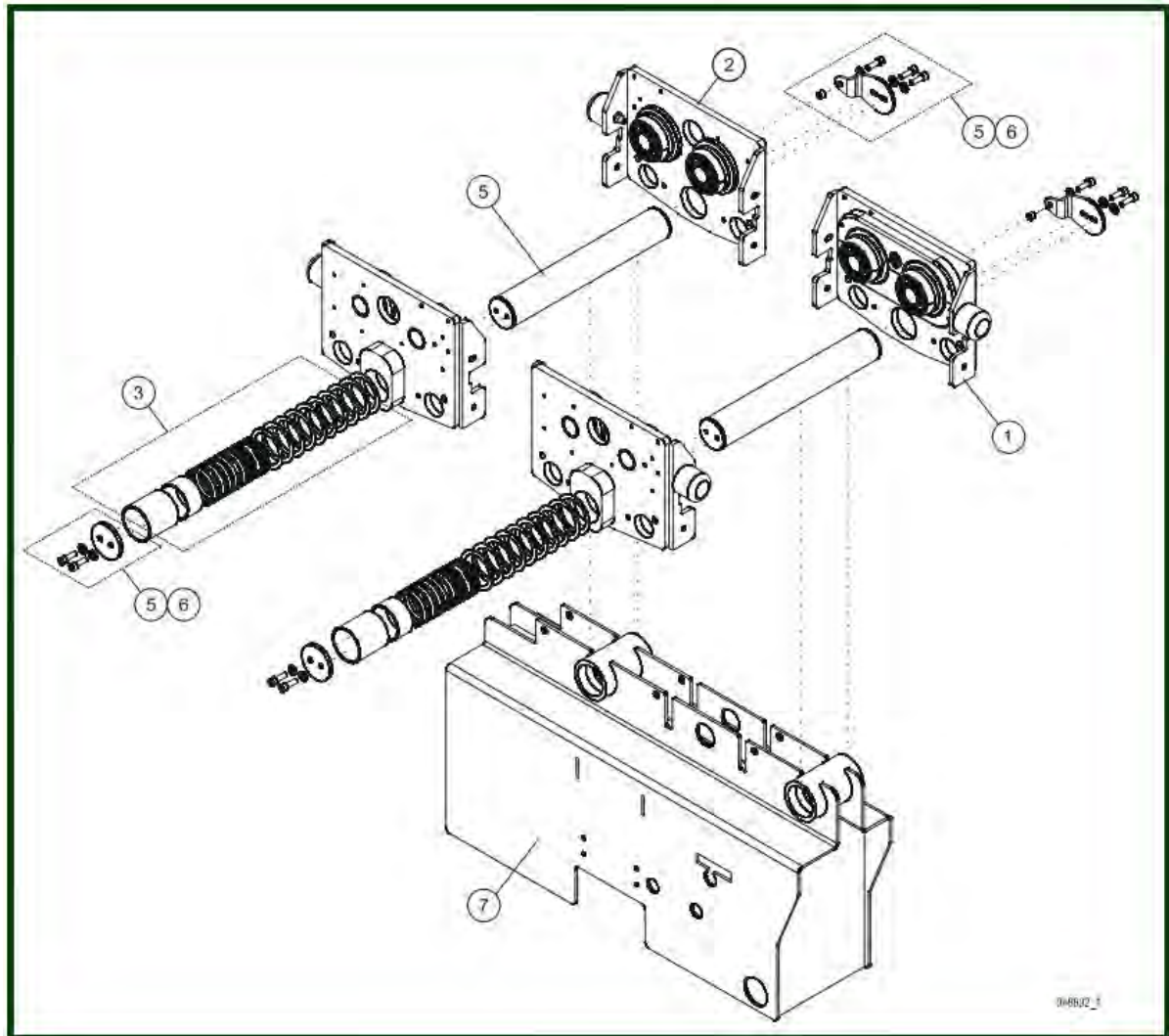
11.7. Reeve 6/1 & 8/1 – Rope drum D-E – Old model



Trolley N - Reeve 6/1 & 8/1 Rope drum D-E – Old model

Item	Reference	Description	Observation	Quantity
1	<u>VT0000785</u>	Side plate; driving	Standard wheel	2
1	<u>VT0000787</u>	Side plate; driving	Special wheel	2
2	<u>VT0000789</u>	Side plate; idle	Standard wheel	2
2	<u>VT0000791</u>	Side plate; idle	Special wheel	2
3	<u>VT0002817</u>	Screw rod	B-measure/flange width : 75 .. 200	2
3	<u>VT0002818</u>	Screw rod	B-measure/flange width : 201 .. 330	2
3	<u>VT0002819</u>	Screw rod	B-measure/flange width : 331 .. 450	2
3	<u>VT0002820</u>	Screw rod	B-measure/flange width : 451 .. 610	2
4	<u>VT0000406</u>	Fixing set	HPN	2
5	<u>VT0000053</u>	Shaft set	B-measure/flange width : 75 .. 200	2
5	<u>VT0000054</u>	Shaft set	B-measure/flange width : 201 .. 330	2
5	<u>VT0000056</u>	Shaft set	B-measure/flange width : 331 .. 450	2
5	<u>VT0000413</u>	Shaft set	B-measure/flange width : 451 .. 610	2
6	<u>VT0000670</u>	Fixing set		2
7	<u>VT0000793</u>	Beam, support beam		1

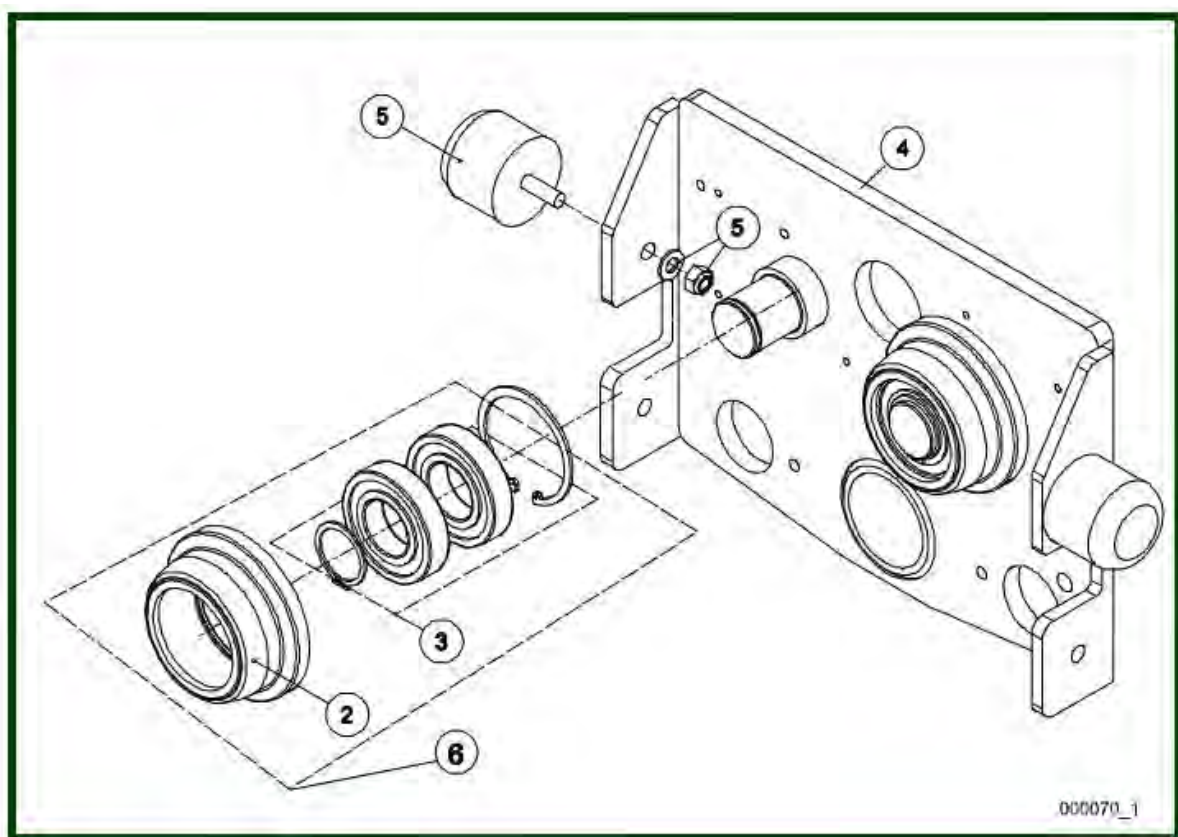
11.8. Reeve 6/1 & 8/1 – Rope drum D-E – New model



Trolley N - Reeve 6/1 & 8/1 - Rope drum D-E – Old model

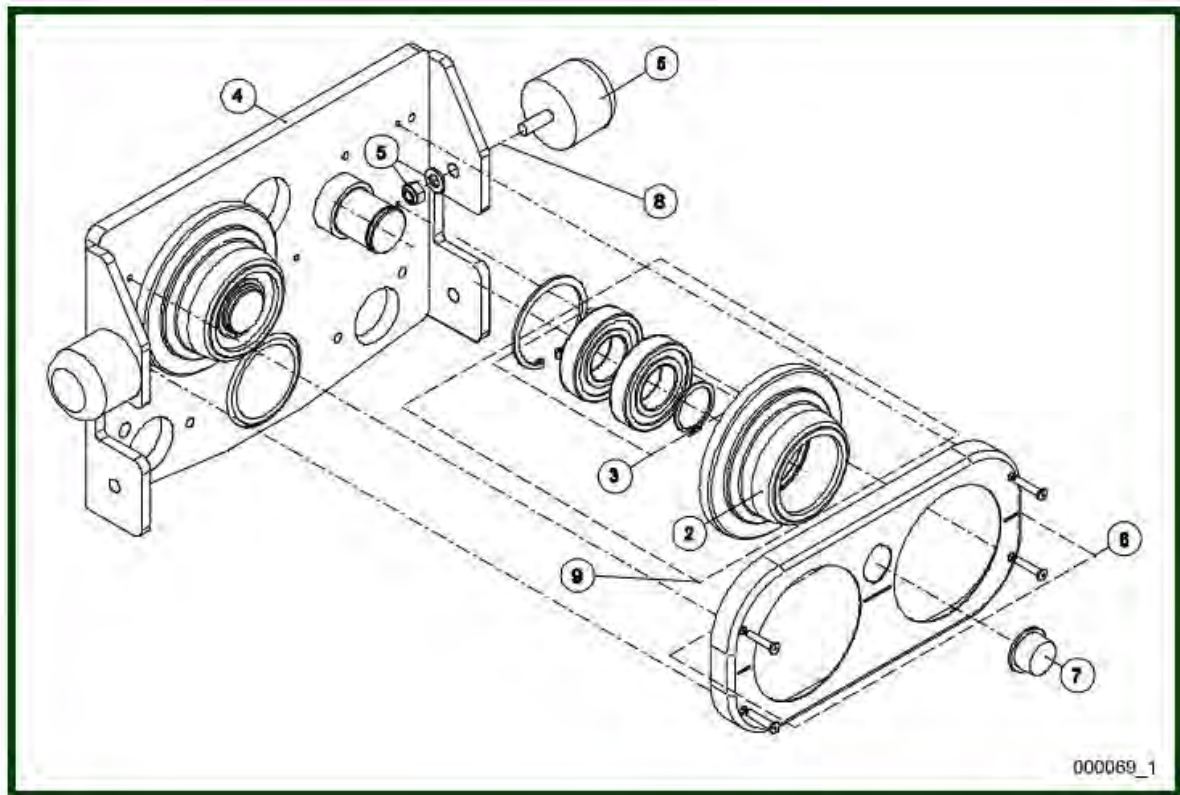
Item	Reference	Description	Observation	Quantity
1	<u>VT0003757</u>	Flange	Standard wheel - Ø 100mm	1
1	<u>VT0003760</u>	Flange	Special wheel - Ø 100mm	1
2	<u>VT0003782</u>	Flange	Standard wheel - Ø 100mm (VT0003758) (VT0000667) (VT0000791)	1
2	<u>VT0003759</u>	Flange	Special wheel - Ø 100mm	1
3	-	Screw rod	Lg 75 ... 200	
3	-	Screw rod	Lg 201 ... 330	
3	-	Screw rod	Lg 331 ... 450	
3	-	Screw rod	Lg 451 ... 610	
4	<u>VT0000406</u>	Fixing set	HPN	2
5	<u>VT0003778</u>	Shaft set	Lg 75 ... 200 – (VT0000053)	1
5	<u>VT0003779</u>	Shaft set	Lg 201 ... 330 – (VT0000054)	1
5	<u>VT0003780</u>	Shaft set	Lg 331 ... 450 – (VT0000056)	1
5	<u>VT0003781</u>	Shaft set	Lg 451 ... 610	1
6	<u>VT0000670</u>	Fixing set		2
7	<u>VT0000793</u>	Beam; support beam		1

11.9. Reeve 2/1 - 4/1 - 6/1 - 8/1 – Rope drum D-E – Idle side plate



Item	Reference	Description	Observation	Quantity
2	VT0000070	Travel wheel idler	Standard wheel	2
2	VT0001892	Travel wheel idler	Special wheel	2
3	VT0000071	Bearing set		2
4	VT0003821	Idle side plate	Drum length : B-C → 4/1-6/1-8/1 Drum length : D-E → 2/1-4/1-6/1-8/1	1
5	VT0000073	Buffer	6.3T	2
6	VT00000174	Complete idle side plate	Standard wheel	2
6	VT0000950	Complete idle side plate	Special wheel (VT0002836)	2

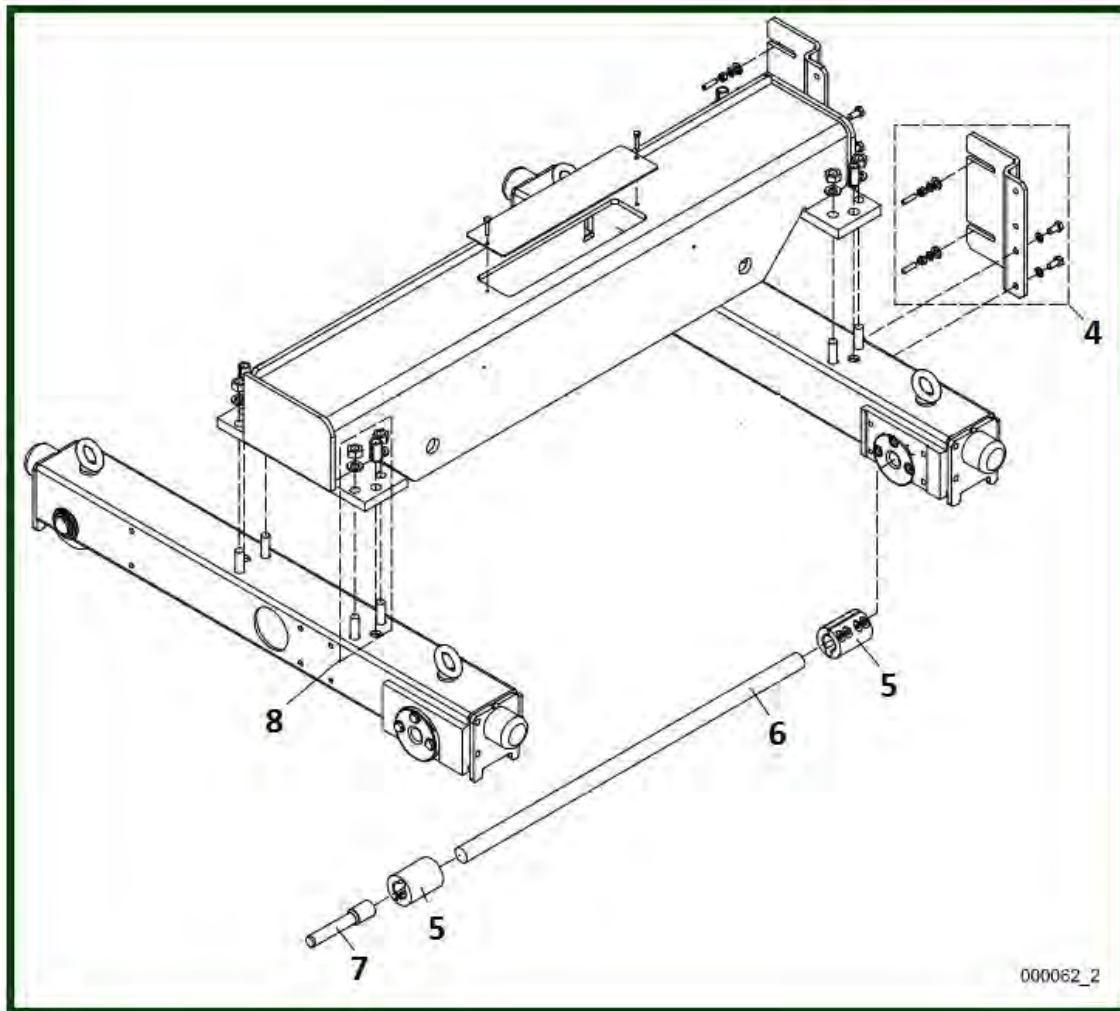
11.10. Reeve 2/1 - 4/1 - 6/1 - 8/1 – Rope drum D-E – Driving side plate



Item	Reference	Description	Observation	Quantity
2	VT0000074	Travel wheel; driving	Standard wheel	2
2	VT0000668	Travel wheel; driving	Special wheel	2
3	VT0000071	Bearing set		1
4	VT0000072	Driving side plate	Drum length D-E → 2/1-4/1-6/1-8/1 - Drum length B-C → 4/1-6/1-8/1 -	1
5	VT0000073	Buffer		1
6	VT0000669	Cover set	(VT0000080)	1
7	VT0000621	Cap	(VT1109LN03)	1
8	-	Buffer extension	4/1-6/1-8/1	
8	VT0001893	Buffer extension	2/1	2
9	VT0000178	Complete driving wheel	Standard wheel	2
9	VT000036	Complete driving wheel	Special wheel	2

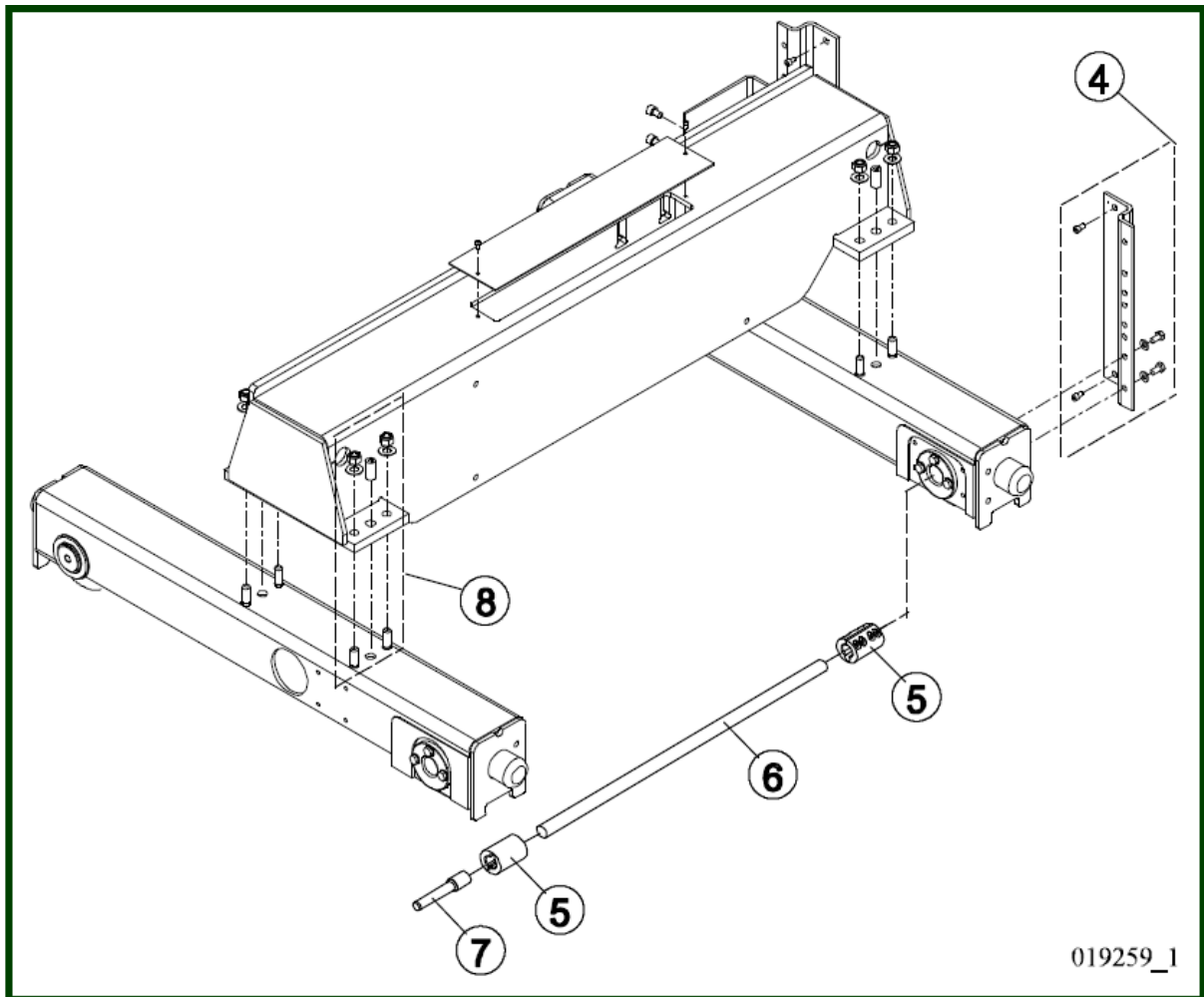
12. BIRAIL TROLLEY - H-M-MA-W

12.1. Reeve 2/1-4/1



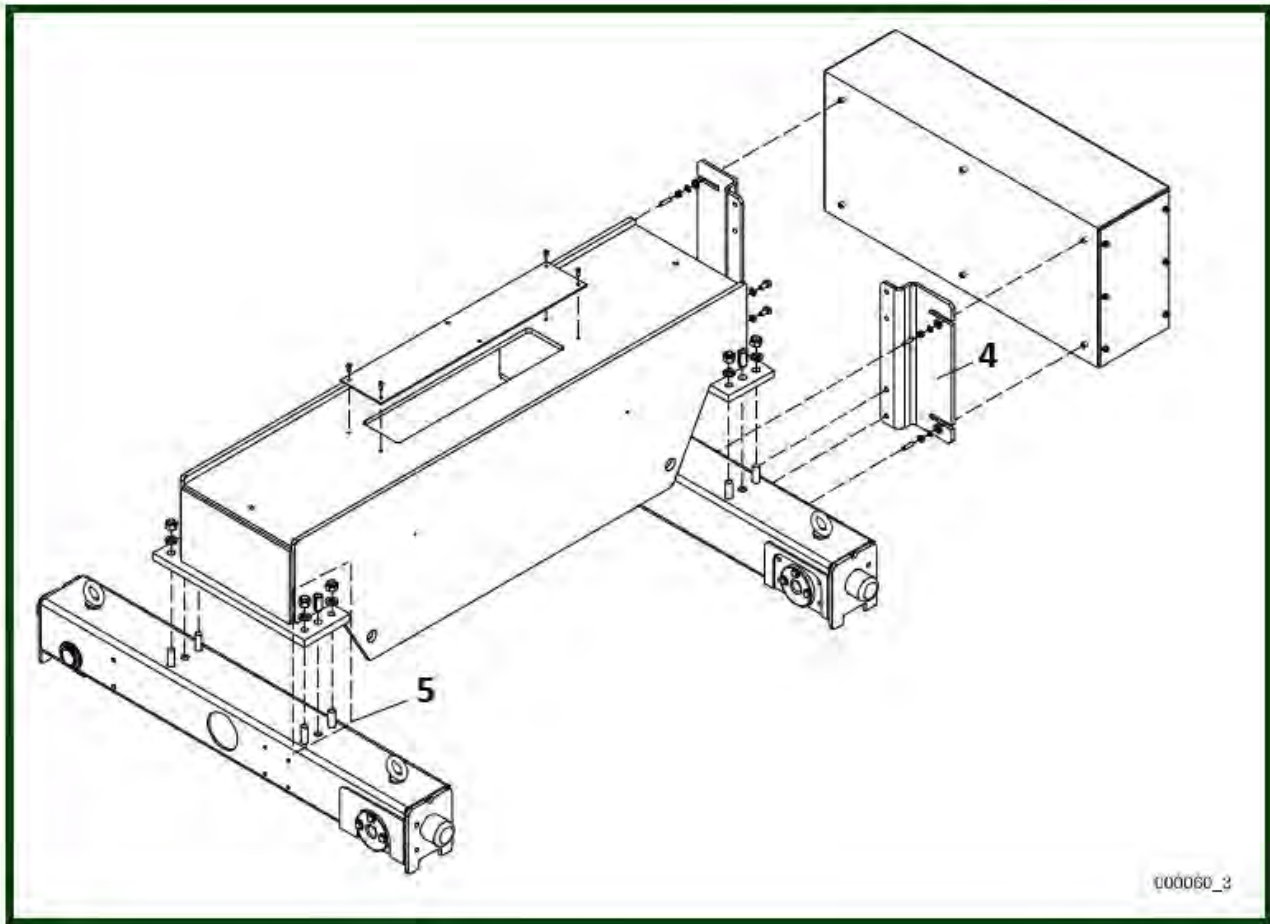
Item	Reference	Description	Observation	Quantity
4	VT0000678	Support		2
5	VT1110D005	Coupling	D 60 (VT0000165)	2
6	VT1110D002	Shaft	Lg 900	1
6	VT1110D003	Shaft	Lg 1200	1
6	VT1110D004	Shaft	Lg 1400	1
6	VT0000784	Shaft	Lg 1700	1
6	VT0000166	Shaft	Lg 2000 - D30L1648	1
6	VT0000782	Shaft	Lg 2400	1
6	VT0000783	Shaft	Lg 2700	1
7	VT0000167	Shaft	D30L150	1
8	VT0000168	Fixing set		1

12.2. Reeve 2/1-4/1 – C1D2



Item	Reference	Description	Observation	Quantity
4	-	Support		
5	VT1110D005	Coupling	D60 (VT0000165)	2
6	VT1110D002	Shaft	Lg 900	1
6	VT1110D003	Shaft	Lg 1200	1
6	VT1110D004	Shaft	Lg 1400	1
6	VT0000784	Shaft	Lg 1700	1
6	VT0000166	Shaft	Lg 2000	1
6	VT0000782	Shaft	Lg 2400	1
6	VT0000783	Shaft	Lg 2700	1
7	VT0000167	Shaft		1
8	VT0000168	Fixing set		1

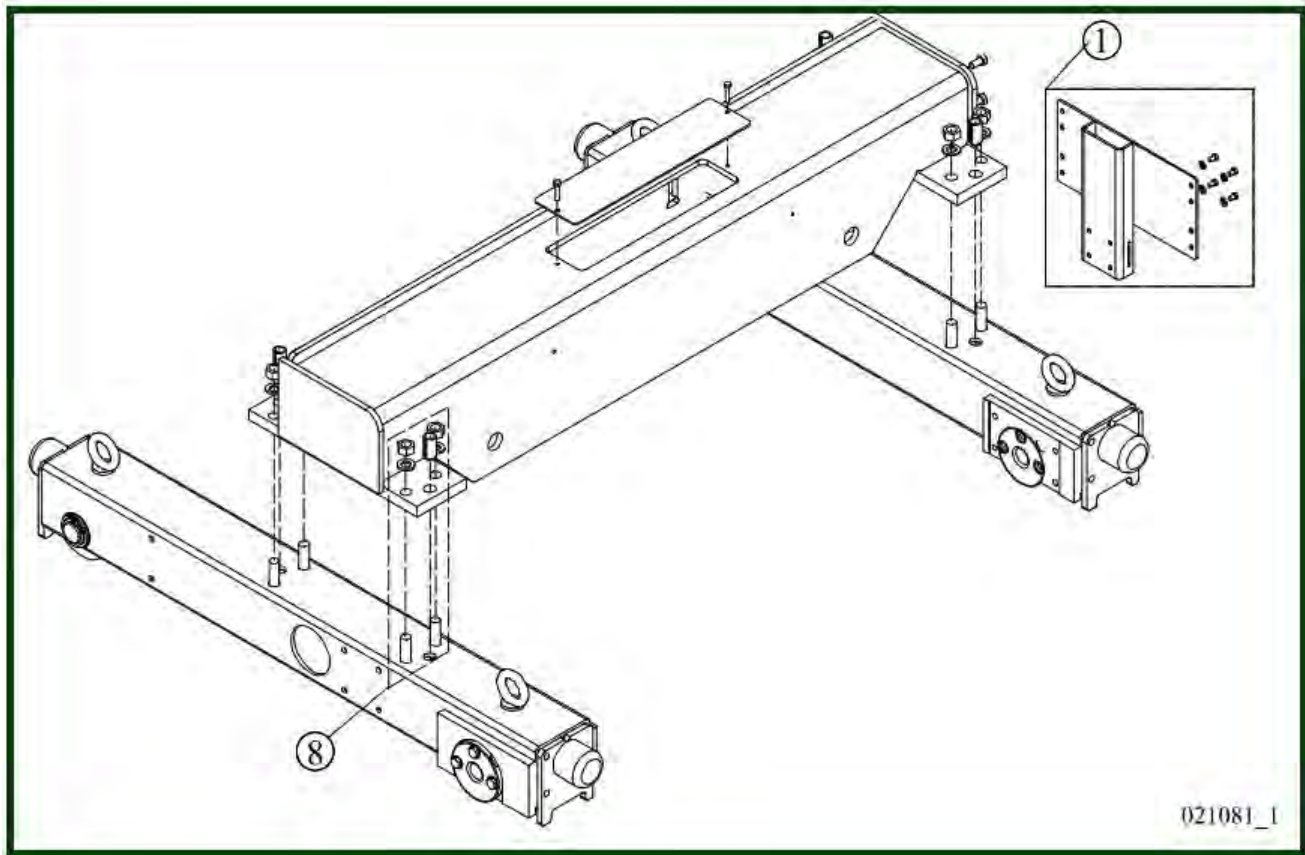
12.3. Reeve 6/1-8/1



000060_3

Item	Reference	Description	Observation	Quantity
4	VT0000678	Support	Trolley W	1
4	VT0002027	Support	Zone 1 A22-BT3-BT4-CT3-CT4 iBT3-iBT4-iCT3-iCT4	1
4	-	Support	C1D2	
5	VT0000168	Fixing set		1

12.4. BT3-BT4-CT3-CT4-iBT3-iBT4-ICT3-ICT4

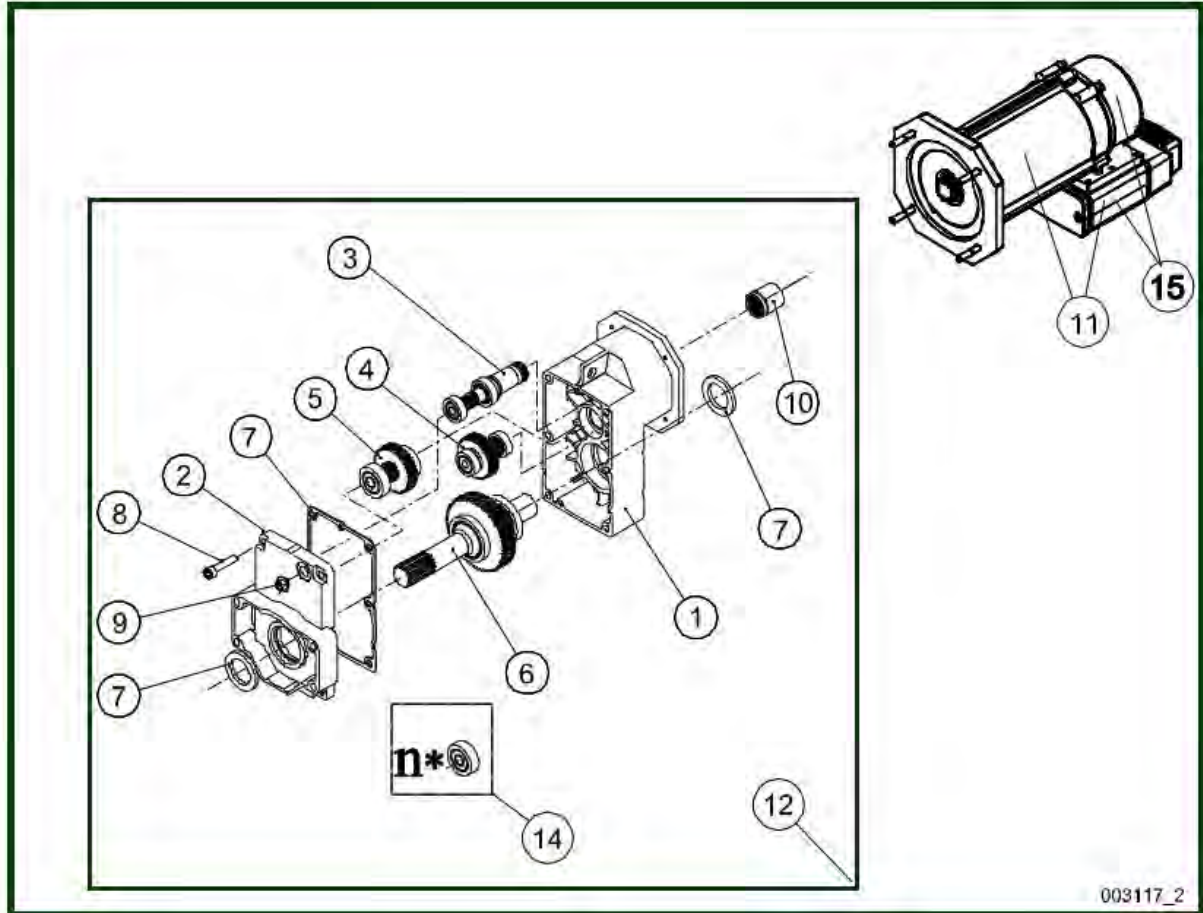


Item	Reference	Description	Observation	Quantity
1	VT0002027	Support		1
8	VT0000168	Fixing set		1

13. TRAVELLING MACHINERY

13.1. Standard motor type – Trolley H-M-MA-W

When ordering motors please specify motor serial number



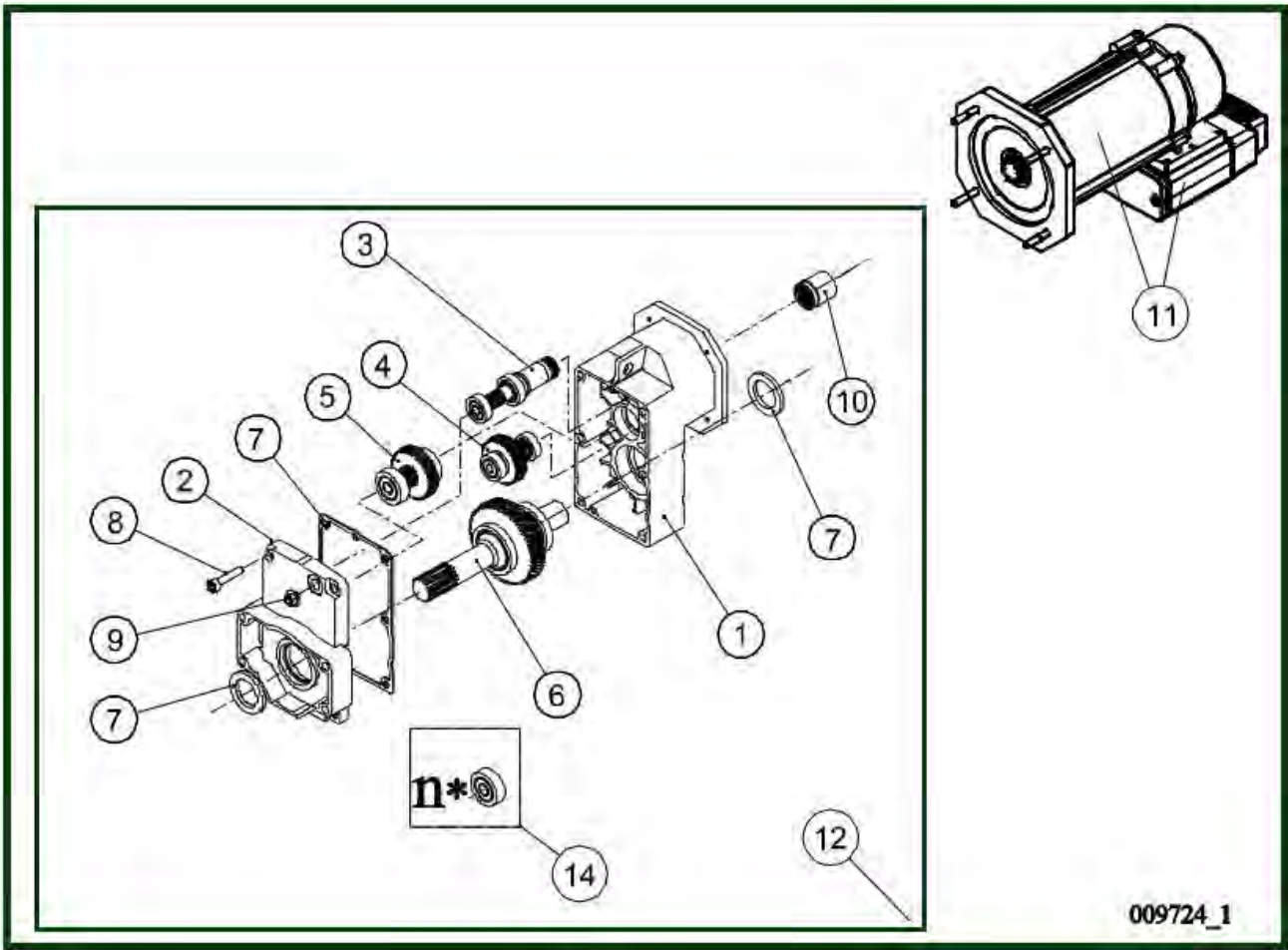
003117_2

Standard motor – Trolley H-M-MA-W

Item	Reference	Description	Observation	Quantity
1	<u>VT1112D001</u>	Gear housing		1
2	<u>VT1112D002</u>	Gear box		1
3	<u>VT1312D001</u>	Shaft set		1
4	<u>VT1312D002</u>	Shaft set		1
5	<u>VT1312D003</u>	Shaft set		1
6	<u>VT0000081</u>	Shaft set		1
7	<u>VT1112D003</u>	Sealings set		1
8	<u>VT1112D004</u>	Screw		1
9	<u>VT1112D005</u>	Breather		1
10	<u>VT11030001</u>	Coupling		1
11		Motor	Consult us	1
12	<u>VT1312D004</u>	Gear reducer		1
14	<u>VT0000423</u>	Bearing set	(VT0000438)	1
15	<u>VT0000728</u>	Junction box	(VT1212LN01)	1

13.2. Ex-proof motor type – Trolley H-M-MA-W

When ordering motors please specify motor serial number.



009724_1

Ex-proof motor type – Trolley H-M-MA-W

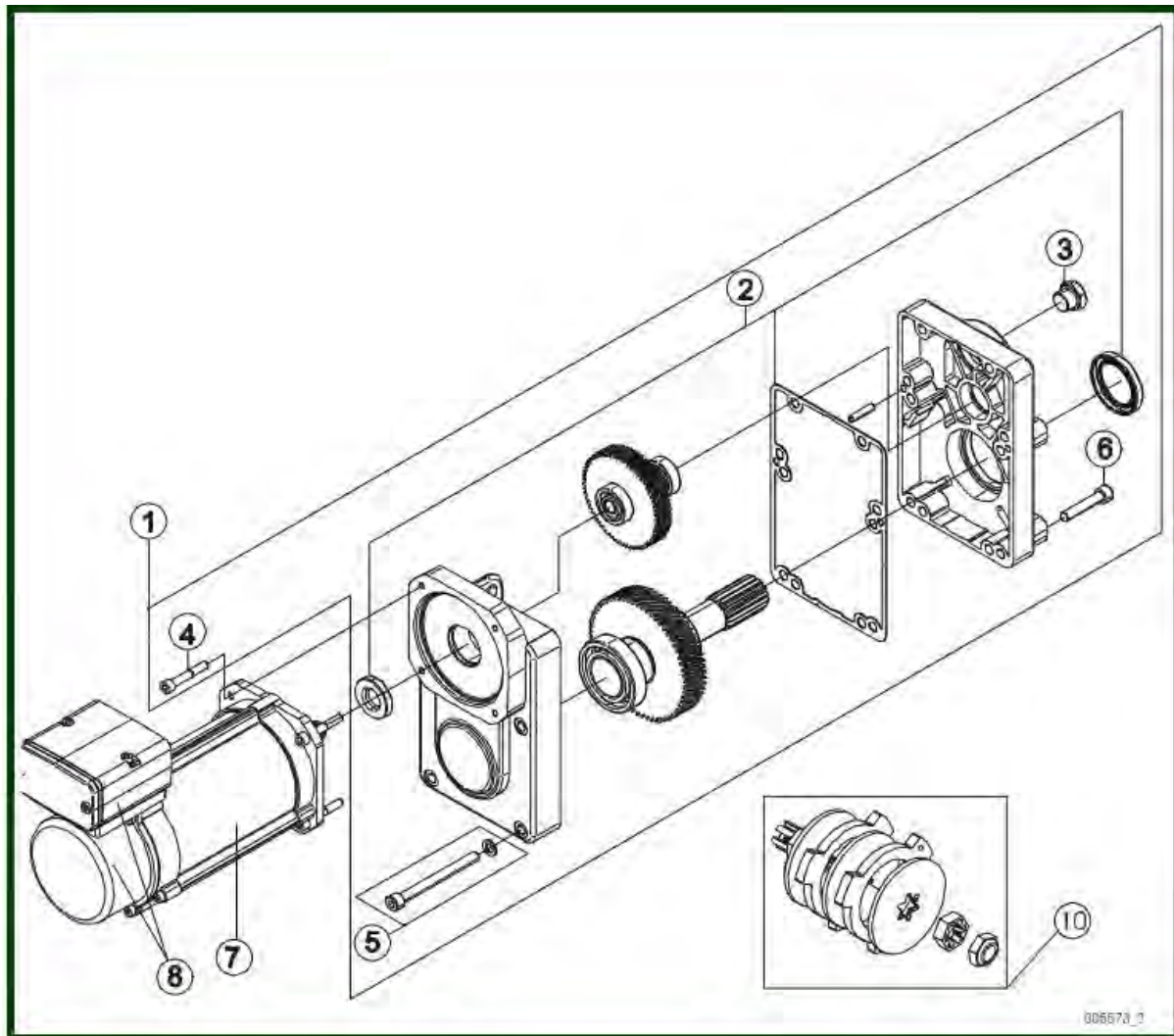
Item	Reference	Description	Observation	Quantity
1	<u>VT1112D001</u>	Gear housing		1
2	<u>VT1112D002</u>	Gear		1
3	<u>VT1312D001</u>	Shaft set		1
4	<u>VT1312D002</u>	Shaft set		1
5	<u>VT1312D003</u>	Shaft set		1
6	<u>VT0000081</u>	Shaft set		1
7	<u>VT1112D003</u>	Sealings set		1
8	<u>VT1112D004</u>	Screw		1
9	<u>VT1112D005</u>	Breather		1
10	<u>VT11030001</u>	Coupling		1
11		Motor	Consult us	1
12	<u>VT1312D004</u>	Gear		1
14	<u>VT0000423</u>	Bearing set	VT0000438	1

13.3. Trolley travel motor size – F06 / MF06

*F06LA100 - F06LA104 - F06LA200 - F06LA20P - F06LB100 - F06LB200
F06MA100 - F06MA104 - F06MA200 - MF06GA200",
MF06LA100 - MF06LA104 - MF06LA200 - MF06LA20P
MF06LB100 - MF06LB200 - MF06MA100 - MF06MA104 - MF06MA200
Trolley H-M-MA-N-W*

Trolley travel gear size : 3

When ordering motors please specify motor serial number.



006573_3

Trolley travel motor size – F06 / MF06

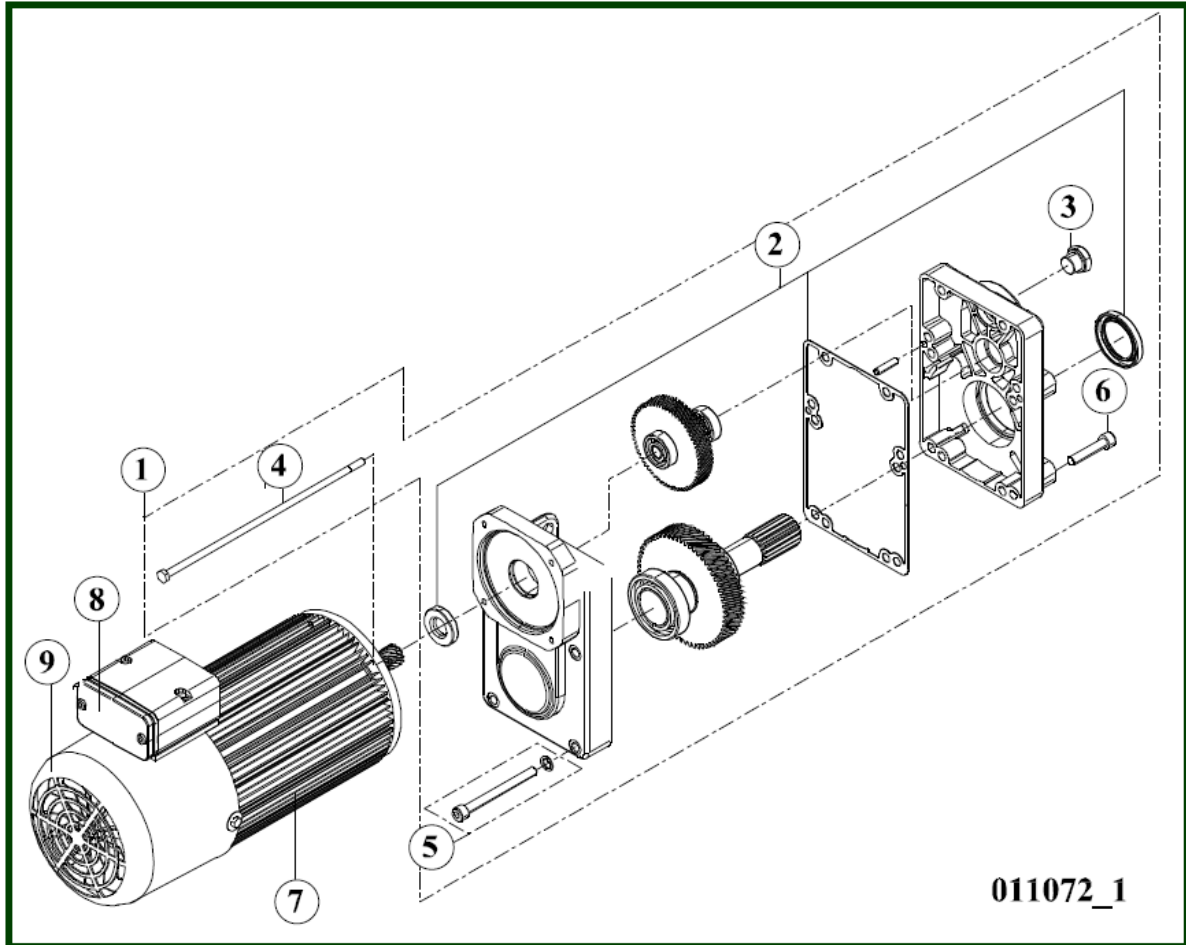
Item	Reference	Description	Observation	Quantity
1	<u>VT0001261</u>	Gear GES342PS3 MF06MA/MF06LA	<ul style="list-style-type: none"> ▪ Frame : D ➔ 2/1-4/1-4/2-8/2 ▪ Frame : C ➔ 6/1-8/1-12/2-16/2 	1
1	<u>VT0001262</u>	Gear GES332PS3 MF06MA/MF06LA		1
1	<u>VT0001263</u>	Gear GES325PS3 MF06MA/MF06LA		1
1	<u>VT0001264</u>	Gear GES320PS3 MF06MA/MF06LA		1
1	<u>VT0001265</u>	Gear GES342PS4 MF06MA/MF06LA		1
1	<u>VT0001266</u>	Gear GES332PS4 MF06MA/MF06LA		1
1	<u>VT0001267</u>	Gear GES325PS4 MF06MA/MF06LA		1
1	<u>VT0001268</u>	Gear GES320PS4 MF06MA/MF06LA		1
1	<u>VT0003912</u>	Gear GES342PD4 MF06MA/MF06LA		1
2	<u>VT0001269</u>	Sealing set	GES3	1
3	<u>VT0001144</u>	Breather	(VT0004089) - (VT0004067)	1
4	<u>VT0001270</u>	Screw set	(VT0001308)	1
5	<u>VT0001271</u>	Screw set		1
6	<u>VT0001272</u>	Screw set		1
7	-		Specify device serial number when ordering	
8	<u>VT0000728</u>	Terminal box	F06 - MF06 (VT1212LN01)	1
8	<u>VT0003186</u>	Terminal box	MF06	1
10	<u>VT0001548</u>	Brake repair set	F06 - MF06	1

13.4. Trolley travel motor size – F07 / MF07

*F07XA100 - F07XA200 - F07XB100-F07XB200
MF07XA100 - MF07XA200 - MF07XB100-MF07XB200
Trolley H-M-MA-N-W*

Trolley travel gear size : 3

When ordering motors please specify motor serial number.

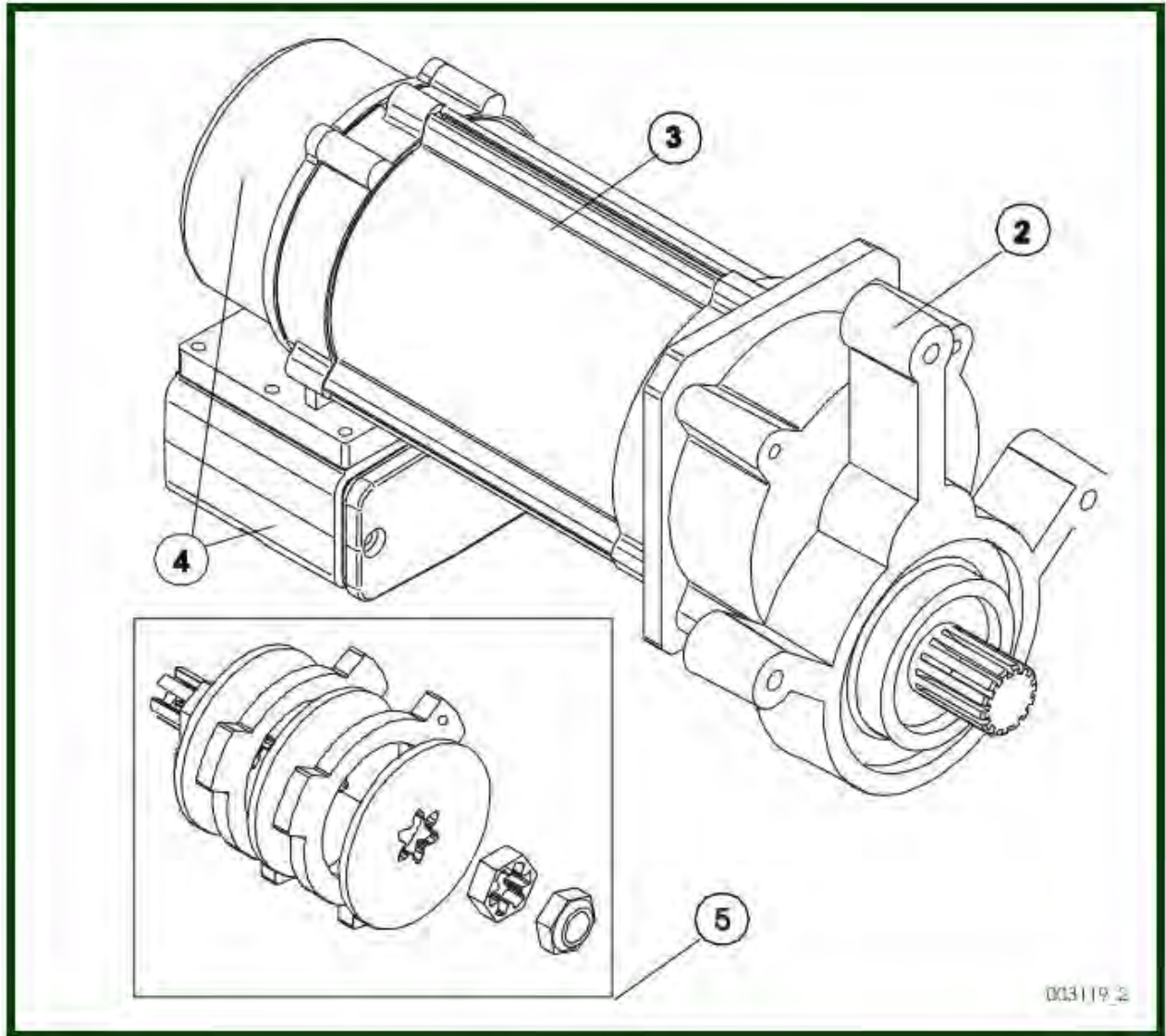


Trolley travel motor size – F07 / MF07

Item	Reference	Description	Observation	Quantity
1	VT0001261	Gear GES342PS3 MF06MA/MF06LA	<ul style="list-style-type: none"> ▪ Frame : D ➔ 2/1-4/1-4/2-8/2 ▪ Frame : C ➔ 6/1-8/1-12/2-16/2 	1
1	VT0001262	Gear GES332PS3 MF06MA/MF06LA		1
1	VT0001263	Gear GES325PS3 MF06MA/MF06LA		1
1	VT0001264	Gear GES320PS3 MF06MA/MF06LA		1
1	VT0001265	Gear GES342PS4 MF06MA/MF06LA	<ul style="list-style-type: none"> ▪ Frame : C ➔ 2/1-4/1-4/2-8/2 ▪ Frame : A-B ➔ 6/1-8/1 - Trolley : J-L-N 	1
1	VT0001266	Gear GES332PS4 MF06MA/MF06LA		1
1	VT0001267	Gear GES325PS4 MF06MA/MF06LA		1
1	VT0001268	Gear GES320PS4 MF06MA/MF06LA -		1
1	VT0003912	Gear GES342PD4	Frame : A-B ➔ 2/1-4/1 - Trolley H-M-MA-MB-W	1
2	VT0001269	Sealing set	GES3	1
3	VT0001144	Breather	(VT0004089) - (VT0004067)	1
4	VT0001270	Screw set	(VT0001308)	1
5	VT0001271	Screw set		1
6	VT0001272	Screw set		1
7	-		Specify device serial number when ordering	
8	VT0001564	Junction box	F07X - MF07X - 045V	1

13.5. Trolley travel gear size 1-2 - Trolley : J-L-N – Short product code : GEK1 – GEK2

When ordering motors please specify motor serial number.



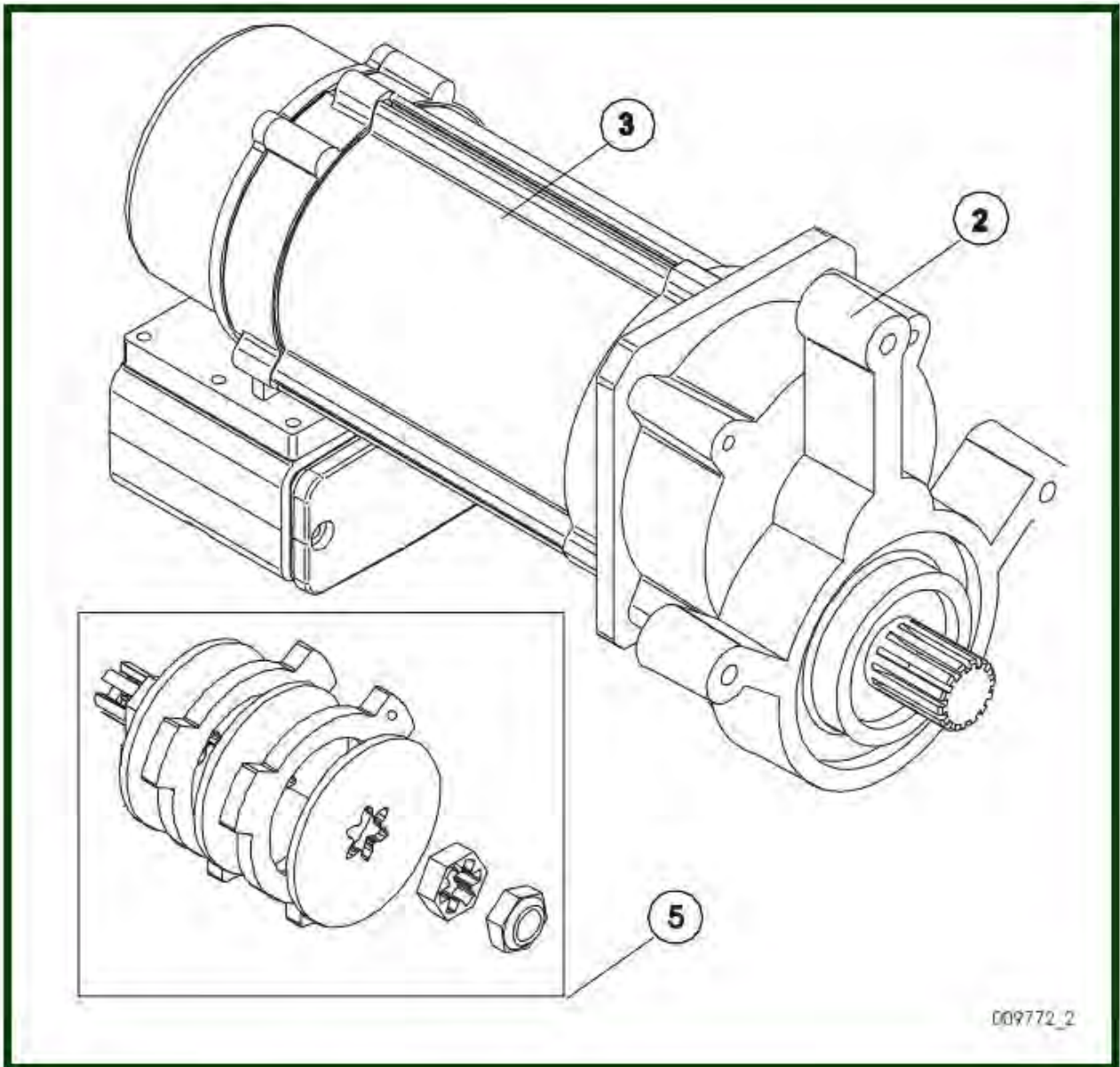
003119_2

Short product code GEK1 – GEK2 - Trolley : J-L-N

Item	Reference	Description	Observation	Quantity
2	<u>VT1112LN01</u>	Gear GEK106PT1BO	GEK1 - Trolley J-L-N Trolley travel gear size : 1 From H0315168	1
2	<u>VT0003786</u>	Gear GEK206PT1BO UT08 UT10	GEK2 Trolley travel gear size : 2	1
3	-		Specify device serial number when ordering	
4	<u>VT0000728</u>	Terminal box From H0315168	(VT1212LN01) F06LA100 - F06LA104 - F06LA200 - F06LB100 F06LB200 - F06MA100 - F06MA104 - F06MA200 MF06LA100 - MF06LA104 - MF06LA200 MF06LB100 - MF06LB200 - MF06MA100 MF06MA104 - MF06MA200	1
4	<u>VT0001563</u>	Terminal box From H0315168	MF07XA100 - MF07XA200 - MF07XB100MF07XB200"	1
4	<u>VT0001564</u>	Terminal box From H0315168	F07XA100 - F07XA200 - F07XB100 - F07XB200 - MF07XA100 MF07XA200 - MF07XB100 - MF07XB200	1
4	<u>VT0003186</u>	Junction box	MF06GA100 - MF06GA104 - MF06GA200 - MF06GB100 - MF06GB200	1
5	<u>VT0001548</u>	Brake repair set	F06LA100 - F06LA200 - F06MA100 - F06MA200 MF06LA100 - MF06LA200 - MF06MA100 MF06MA200	1

13.6. Ex-proof motor side : CSA-D-DCSA-DE – Trolley J-L-N

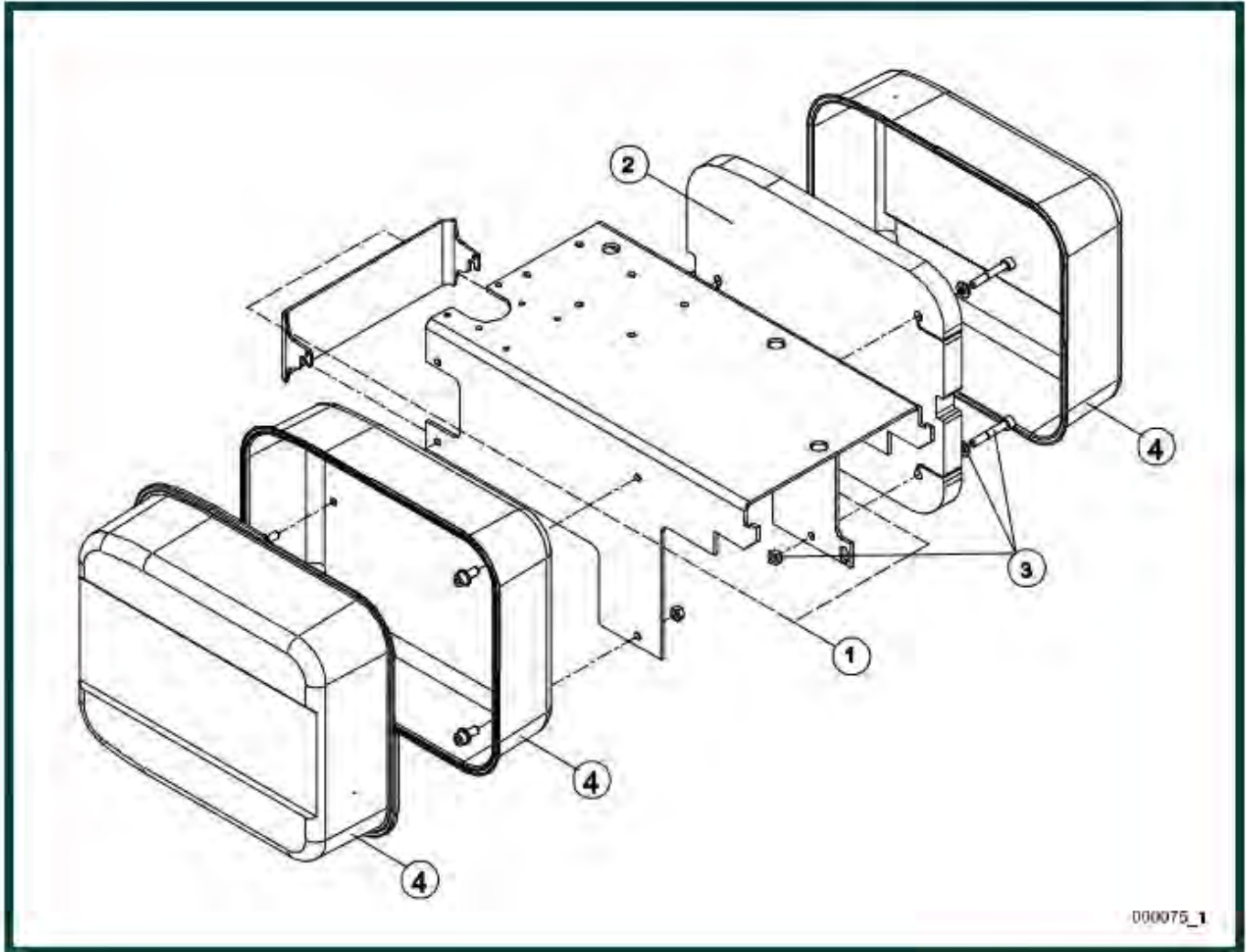
When ordering motors please specify motor serial number.



Item	Reference	Description	Observation	Quantity
2	<u>VT1112LN01</u>	Gear GEK106PT1BO From H0315168	Trolley J-L-N	1
2	<u>VT0003786</u>	Gear GEK206PT1BO	UT08 UT10	1
3	-		Specify device serial number when ordering	
5	<u>VT0001548</u>	Brake repair set	MF06	1

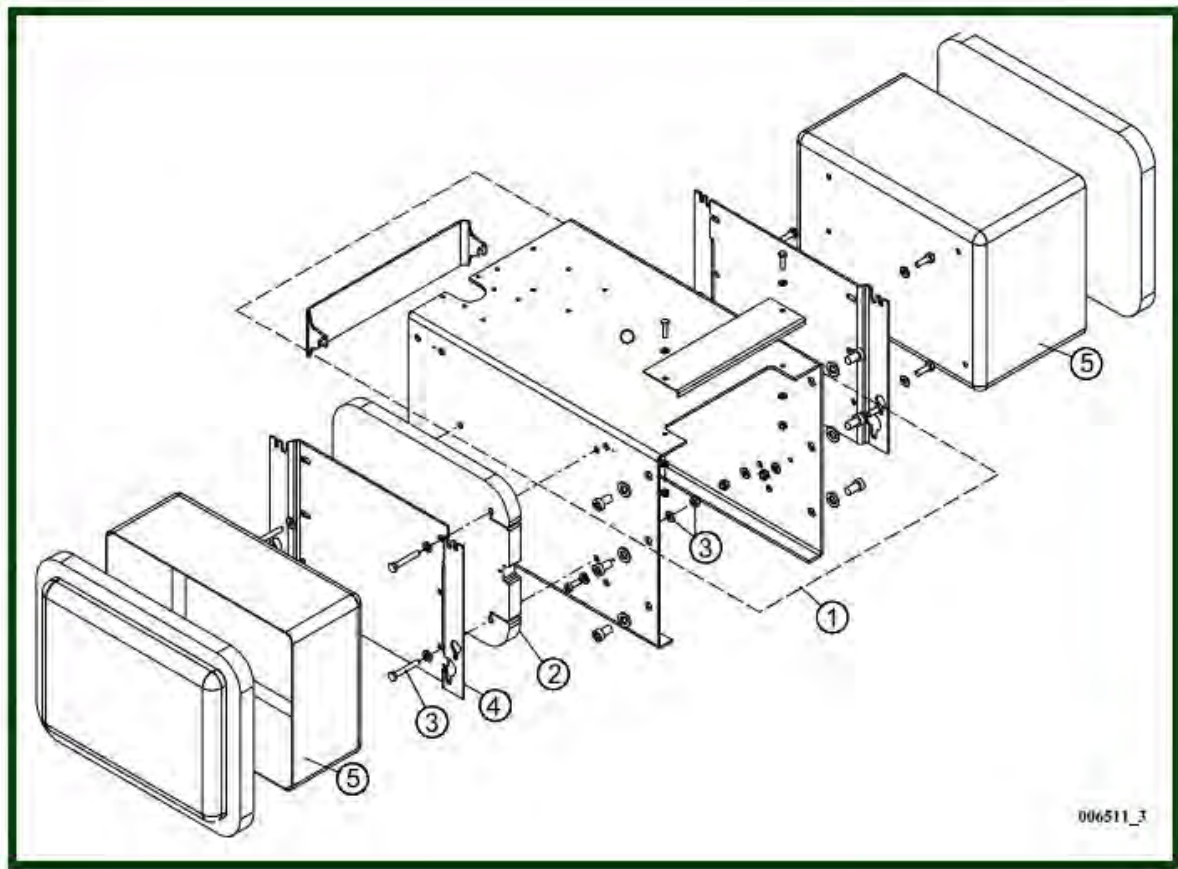
14. ELECTRIC PANEL

14.1. Trolley L – Low Headroom Trolley (LHT)



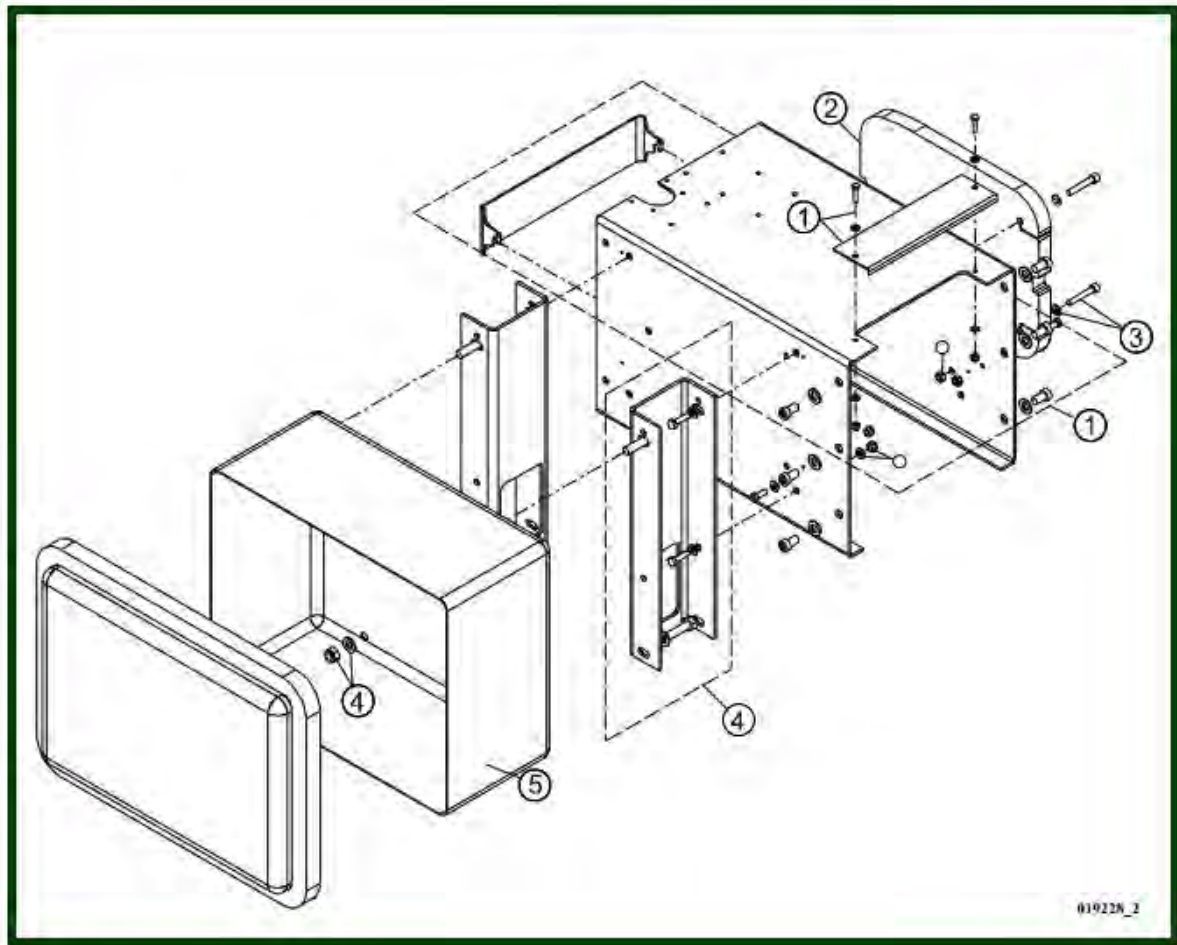
Item	Reference	Description	Observation	Quantity
1	VT0000229	Support	Load <= 5000 kgs	1
1	VT0000710	Support	Load > 5000 kgs – 6.3 - EX	1
2	VT0000230	Counterweight	380V 480V-007F-T2-P L374W25H299-7021	1
2	VT0000231	Counterweight	220V 230V, 490V 690V- 007F/022F-T2-T M18 L344W25H299-7021	1
3	VT0002821	Kit Screw	(VT0002822) - (VT0000711)	1
4	-	Support, electric cubicle	Consult us	

14.2. Trolley L – Low Headroom Trolley (LHT) – ZONE 1 – ZONE 2



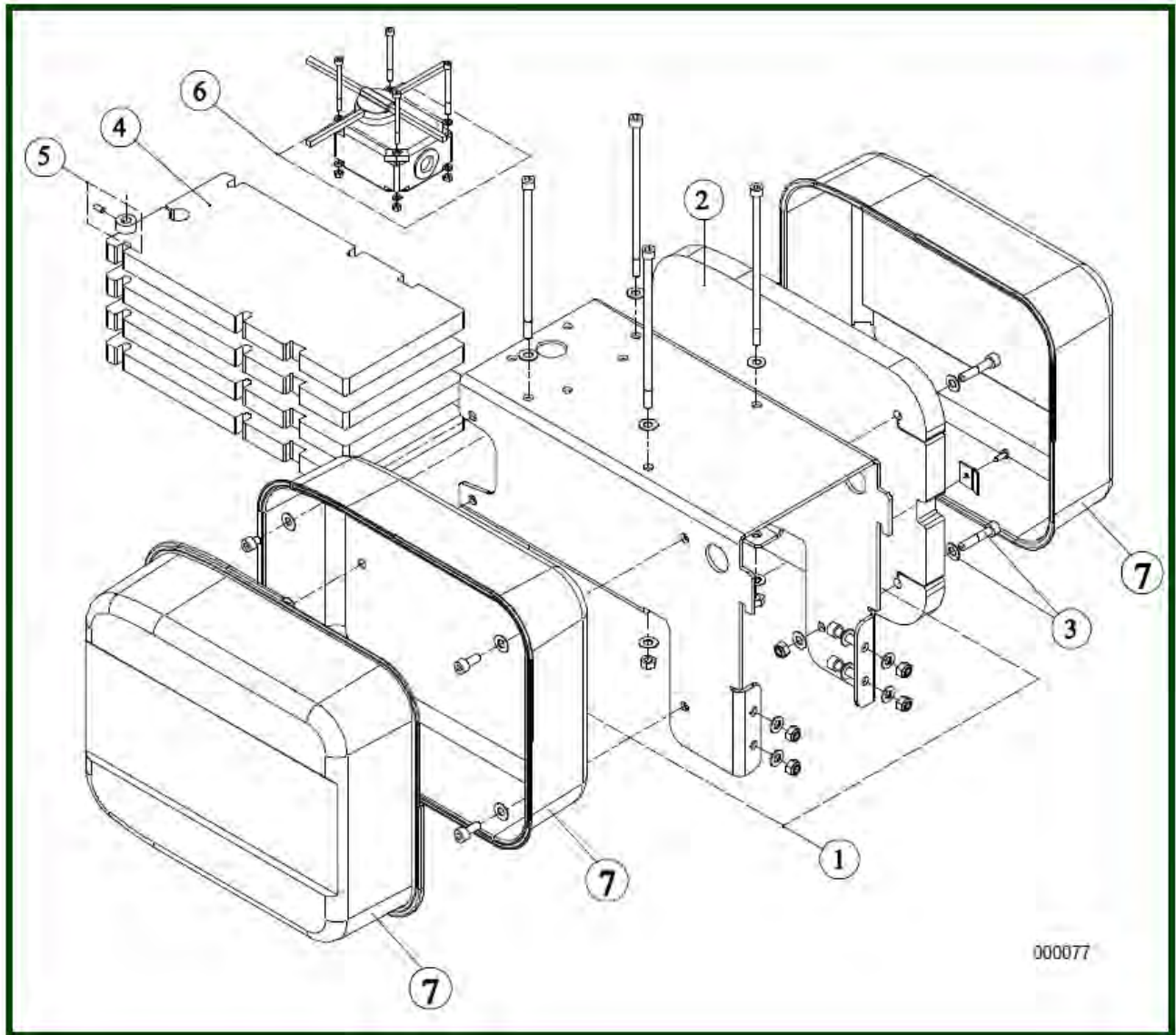
Item	Reference	Description	Observation	Quantity
1	VT0006396	Support, electric cubicle		1
2	VT0000230	Counterweight	380V 480V-007F-T2-P L374W25H299-7021	1
2	VT0000231	Counterweight	220V 230V, 490V 690V-007F/022F-T2-T M18L344W25H299-7021	1
3	VT0002822	Kit Screw	Drum length : B – Lg : 80 ... 199 Drum length : C-D – Lg : 80 ... 299	1
3	VT0003525	Kit Screw	EX	1
4	-	Support; electric cubicle		

14.3. Trolley L - Low Headroom Trolley (LHT) – C1D2



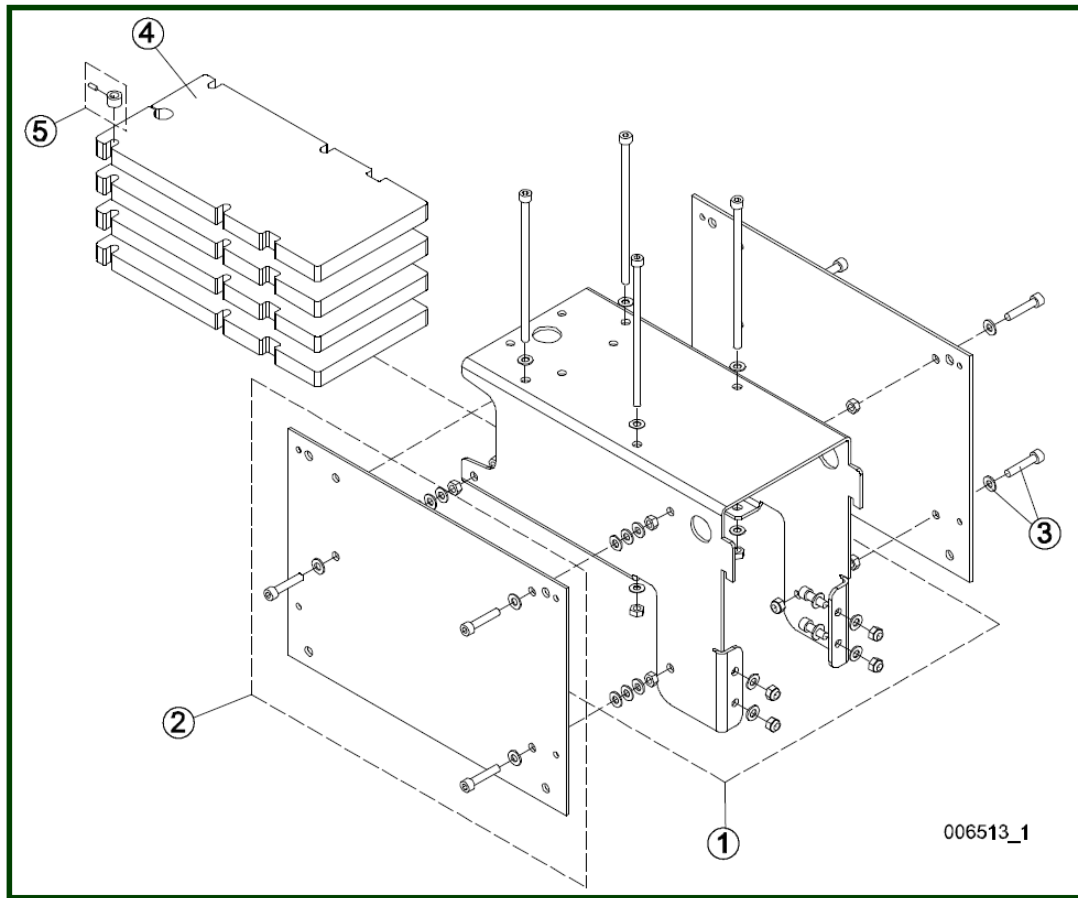
Item	Reference	Description	Observation	Quantity
1	VT0003264	Support	C1D2	1
2	VT0000230	Counterweight	380V 480V-007F-T2-P L374W25H299-7021	1
2	VT0000231	Counterweight	220V 230V, 490V 690V-007F/022F-T2-T M18L344W25H299-7021	1
3	VT0002822	Kit Screw	Drum length : B – Lg : 80 ... 199	1
3	VT0003525	Kit Screw	EX	1
4	-	Support, electric cubicle		

14.4. Trolley N – Normal Headroom Trolley (NHT)



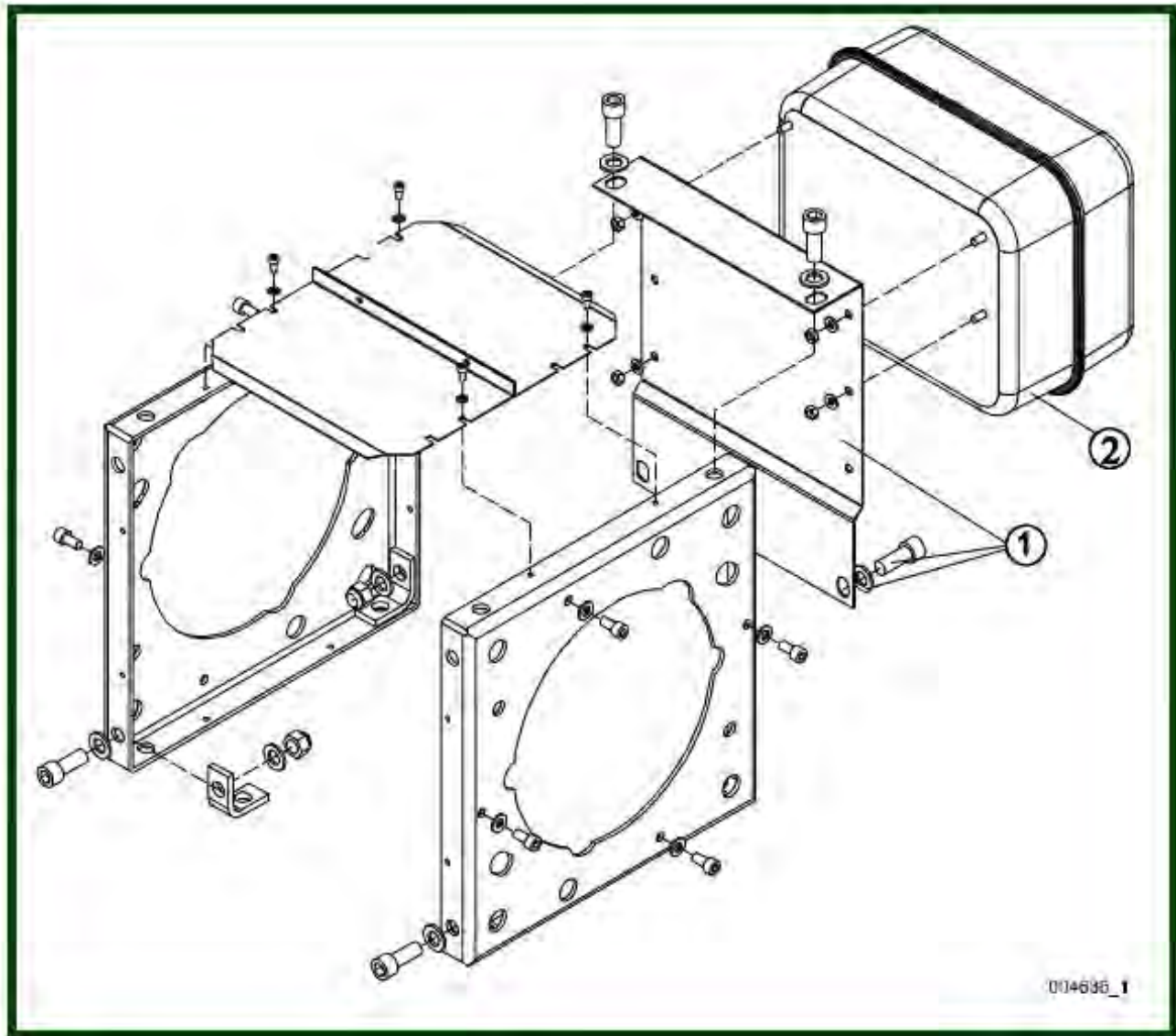
Item	Reference	Description	Observation	Quantity
1	VT0000712	Support	SP-QA/QB-N-V/R	1
2	VT0000230	Counterweight		1
3	VT0000713	Screw set		1
4	VT0001861	Counterweight		1
5	VT0000946	Locking set		1
6	VT1413L002	Limit switch	1 step	1
6	VT0000160	Limit switch	2 steps	1
7	-		Consult us	

14.5. Trolley N - Normal Headroom Trolley (NHT) – Zone 1 – Old model



Item	Reference	Description	Observation	Quantity
1	VT0000712	Support		1
2	-	Support		
3	VT0001792	Screw set	To HGY41099	1
4	VT0001861	Counterweight		1
5	VT0000946	Locking set		1

14.6. Trolley V



Item	Reference	Description	Observation	Quantity
1	VT0000910	Support	Drum length : B	1
1	VT0000911	Support	Drum length : C	1
1	VT0000912	Support	Drum length : D	1
1	VT0000913	Support	Drum length : E	1