

# Spare Parts - VT1

To avoid errors, when ordering please specify:

- Complete type of hoist
- Date of manufacture and serial number
- Spare part code
- Spare part designation
- Additional information



## 0) HOIST DESCRIPTION

### 1) FRAME

- 1.1) L Trolley / LHT
- 1.2) Trolley F-H-M-MA-MB-N-W- Fixed and double girder
- 1.3) V Trolley - Machinery hoist

### 2) ROPE DRUM

- 2.1) Trolley F-H-L-M-MA-MB-N-V-W
- 2.2) Precut rope

### 3) GEAR

- 3.1) Second disk brake

## 4) SIZE LIFTING MOTOR 1-2 - HOIST MOTOR TYPE P & T

### 5) ROPE SHEAVE

- 5.1) F-H-L-M-MA-MB-N-W Trolley

### 6) OVERLOAD DEVICE

- 6.1) Rope reeving code 04/1 - Overload device type = MEC, MECPOW (mechanical, current measurement + mechanical) - F-H-L-M-MA-MB-N-W Trolley
- 6.2) Rope reeving code 04/1 - Overload device type = MEC, MECPOW (mechanical, current measurement + mechanical) - F-H-L-M-MA-MB-N-W Trolley
- 6.3) Rope reeving code 02/1 - Overload device type MEC, MECPOW (mechanical, current measurement+mechanical) - F-H-L-M-MA-MB-N-W Trolley
- 6.4) Rope reeving code 02/1 - Overload device type = MEC, MECPOW (mechanical, current measurement+mechanical) - F-H-L-M-MA-MB-N-W Trolley
- 6.5) Overload device type = SG / Otherwise gauge
- 6.6) Rope reeving 02-04-06-08-22-24-26-28 - Overload device type = NO, POW (without, motor current measurement)

### 7) HOOK

- 7.1) Rope reeving code 02 - Up to H0209452
- 7.2) Rope reeving code 02 - Since H0209453
- 7.3) Rope reeving code 04 - Hook HBC - Up to H0209452
- 7.4) Reeving system 04 Hook HBC - Since H0209453

### 8) HOISTING LIMIT SWITCH

- 8.1) Standard lifting
- 8.2) True vertical lifting

### 9) TROLLEY

- 9.1) L Trolley / LHT
- 9.2) Old N trolley / NHT
- 9.3) N Trolley / NHT - After november 2007

### 10) TROLLEY, SIDE PLATE

- 10.1) N Trolley/NHT - Travel wheel idle
- 10.2) N Trolley/NHT - Wheel set; driving

### 12) TROLLEY, AND CARRIAGE

- 12.1) H,M,MA,W Trolley - Double girder
- 12.2) End carriage GT - M, MA, W Trolley H- Reeving system 02-04
- 12.3) End carriage GTR-GTL-GTN

### 13) TRAVELLING MACHINERY

- 13.1) H,M,MA,W Trolley / Double girder with end truck VP - H315167
- 13.2) Motor CSA,D,DCSA,DE - J,L,N Trolley / LHT and NHT

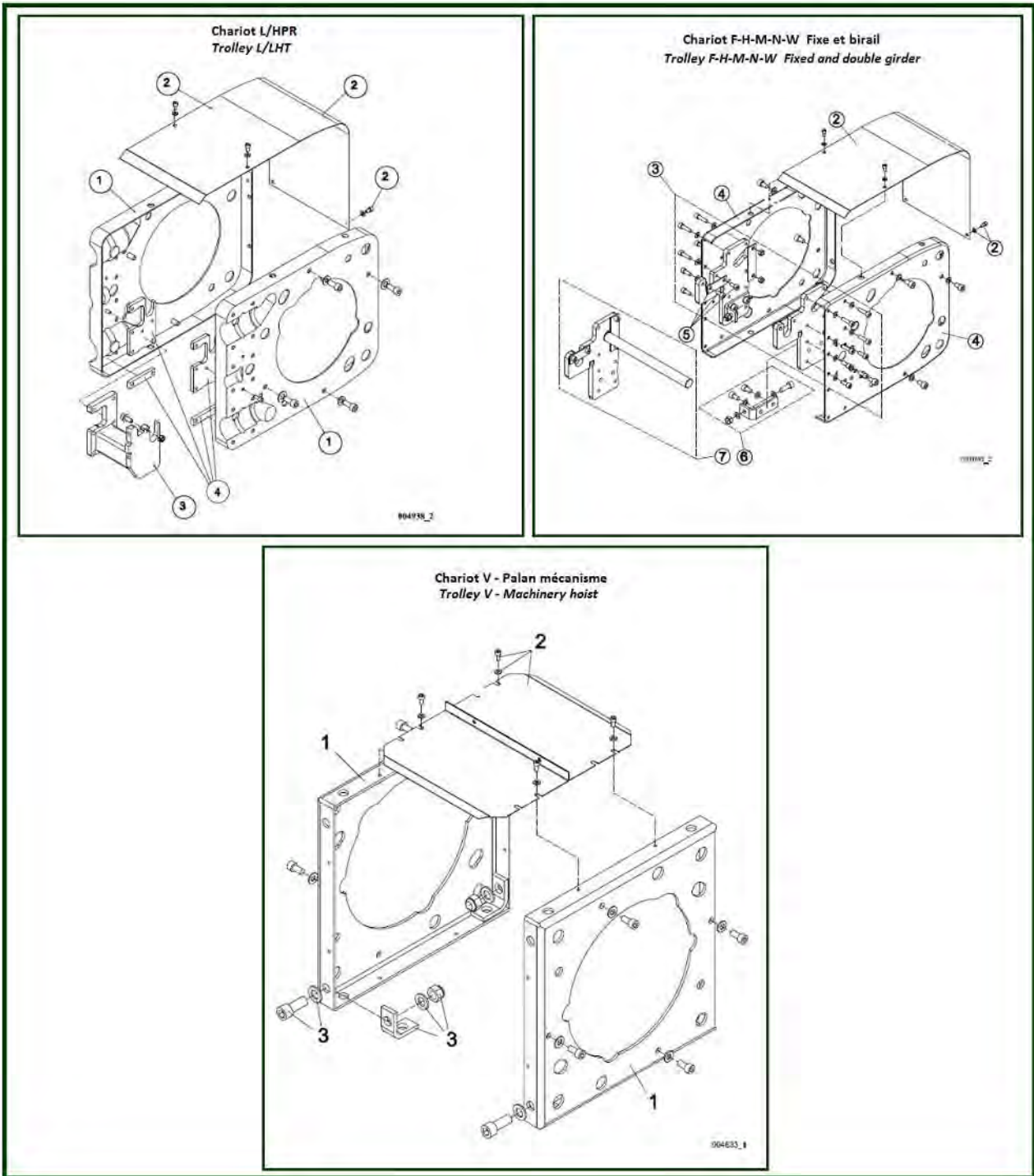
### 14) ELECTRIC PANEL

- 14.1) L Trolley / LHT
- 14.2) N Trolley / NHT
- 14.3) V Trolley / Machinery

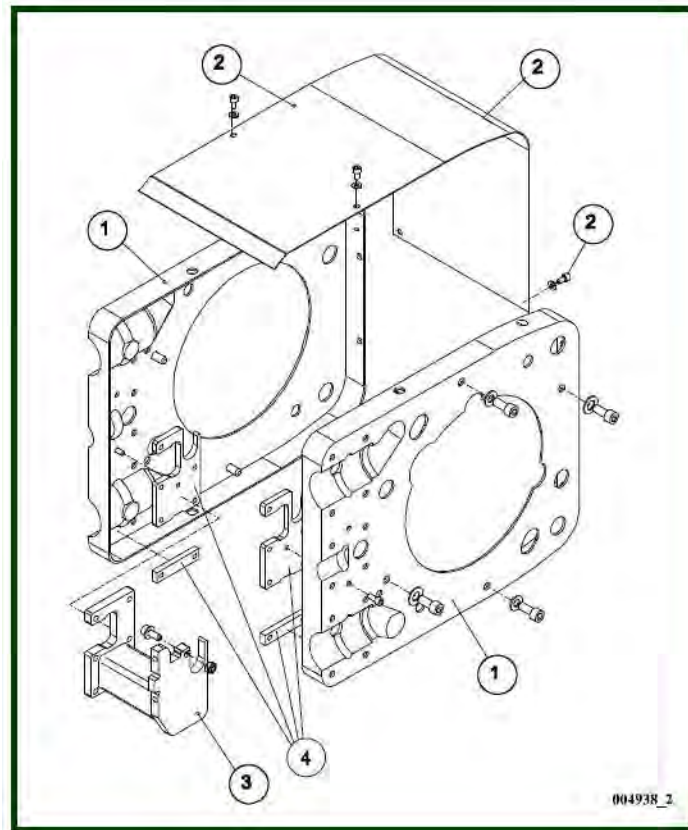
## 0) Hoist description

VT	1	04	1	1	5	R	15	A	N	P1	405	SE	M	20	E	N	
1.2	3	4,5	6	7	8	9	10,11	12	13	14,15	16-18	19,20	21	22,23	24	25	
(GE09)	DES27				(DIM01)	(DES01)	(DIM03) (DIM05)	GE08		(HM01) (HM02)		(EL05)	(HS03)		(TR05)		
<b>Pos.</b>	<b>Code</b>	<b>Feature code</b>	<b>Feature</b>	<b>Available properties</b>													
1.2	<b>VT</b>		Short product name	VT Hoist													
3	<b>1</b>	(GE09)	Frame size	<u>GE09 value</u>				<u>GE09 value</u>									
				s	243 mm rope drum diameter			Z	3	406 mm rope drum diameter			C				
				1)	303 mm rope drum diameter			A	4	608 mm rope drum diameter			D				
				2)	355 mm rope drum diameter			B	5	608 mm rope drum diameter (2 hoisting motors)			E				
4.5	<b>04</b>	DES27	Rope reeving code	<u>DES27 value</u>				<u>DES27 value</u>									
				<u>Falls at the hook block</u>				02	02	<u>Falls at the hook block</u>			04	22			
								04	04				08	24			
								06	06				12	26			
								08	08				16	28			
				M1 = Machinery hoist, 1 rope fixed to drum, M2 = Machinery hoist, 2 ropes fixed to drum													
6	<b>1</b>		Nbr of driver rope	1 Levage standard													
7	<b>1</b>		Nbr of hook	1 Standard													
8	<b>5</b>	(DIM01)	Hoist duty group	<u>DIM01 value</u>				<u>DIM01 value</u>									
				3	ISO M3			M3	5	ISO M5			M5				
				4	ISO M4			M4	6	ISO M6			M6				
9	<b>R</b>	(DES01)	Trolley type	<u>DES01 value</u>				<u>DES01 value</u>									
				F	Foot Mounted			F	N	Normal headroom trolley (parallel)			N				
				S	Fixed Suspended			S	T	Normal headroom trolley (perpendicular)			T				
				R	Low headroom trolley			L	M	Machinery hoist			V				
				H	Double girder trolley (high)			H	B	Swivelling trolley			B				
				E	Double girder trolley (medium)			M	X	Special			X				
				W	Double girder trolley (low)			W	J	Special low headroom trolley			J				
10,11	<b>15</b>	(DIM03) (DIM05)	Flange width/ Rail gauge	<u>Flange width (Monorail) (i.e. 358 mm = 35)</u>				<u>Rail gauge (Double girder trolley) (i.e. 1200 mm = 12)</u>				<u>Fixed hoist 00</u>					
12	<b>A</b>	GE08	Hoist drum length	<u>A</u>				<u>A</u>									
				A	310 mm rope drum length (if frame size s, 394 mm)			Z	1400 mm rope drum length			Z					
				B	340 mm rope drum length (if frame size s, 394 mm)			J	1600 mm rope drum length			J					
				C	440 mm rope drum length (if frame size s, 504 mm)			K	1900 mm rope drum length			K					
				D	540 mm rope drum length			L	2250 mm rope drum length			L					
				E	680 mm rope drum length			M	2500 mm rope drum length			M					
				F	810 mm rope drum length			N	2800 mm rope drum length			N					
				G	1000 mm rope drum length			X	Special drum length			X					
				H	1250 mm rope drum length												
13	<b>N</b>		Hoisting gear box	N: Normal R: Fast													
14,15	<b>P1</b>	(HM01) (HM02)	Hoisting motor type / size	<u>e.g. P1 =&gt; P = HM01 value, 1 = HM02 value</u>				<u>HM01 value</u>									
				<u>Frequency converter motor, ASR</u>				A	Nom. Power 1,5 kW / 50Hz			X					
				<u>Frequency converter motor, ESR</u>				S	Nom. Power 1,8 kW / 50Hz			1					
				<u>Pole change motor</u>				P	Nom. Power 2,5 kW / 50Hz			2					
				<u>Frequency converter motor</u>				T	Nom. Power 3,6 kW / 50Hz			2					
				<u>Pole change motor 3:1</u>				R	Nom. Power 4,5 kW / 50Hz			3					
				<u>Exp-proof pole change motor Single speed motor</u>				E	Nom. Power 7,5 kW / 50Hz			4					
				<u>Cast iron pole change motor</u>				O	Nom. Power 9 kW / 50Hz			5					
								C	Nom. Power 15 kW / 50Hz			6					
											7						
											8						
											9						
											A						
16-18	<b>405</b>		Power supply	400V / 50 Hz													
19,20	<b>SE</b>	(EL05)	Electric provisions	<u>EL05 value</u>				<u>EL05 value</u>									
				S	SOLO			SOLO	E With time counter								
				K	KIT						M Monitoring device						
				J	Hoist for tandem use			TANDEM	0 Without connection								
				W	Without electric			NO	1 With connection and cubicle								
21	<b>M</b>	(HS03)	Overload device	<u>HS03 value</u>				<u>HS03 value</u>									
				M	Mechanical limit switch			MEC	P Hoist power measurement			POW					
				C	Strain gauge			SG	0 Without overload device			NO					
22,23	<b>20</b>		Trolley high speed	20 < 25 m/min 30 ≥ 25 m/min				BV 2 speeds motor									
24	<b>E</b>	(TR05)	Travelling control mode	<u>TR05 value</u>				<u>TR05 value</u>									
				M	MS2			MS2	C Contactor (2 speeds motor)								
				E	EP2			EP									
25	<b>N</b>		Special properties	<u>Special</u>				<u>Special</u>									
				S	Standard			M	Meca								
				O	Standard pre-designed features			E	Elec								
							D	M+E									

# 1) Frame

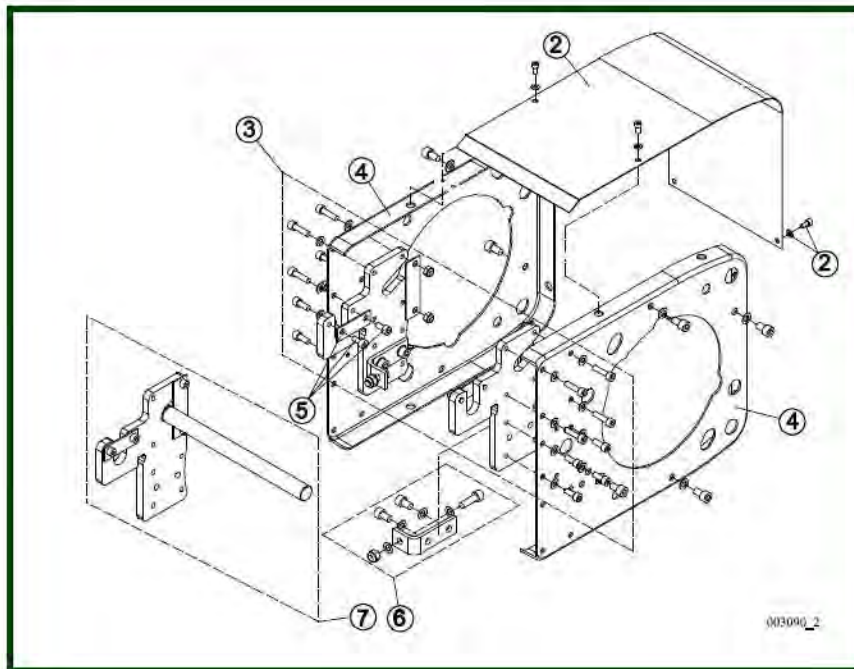


## 1.1) L Trolley / LHT



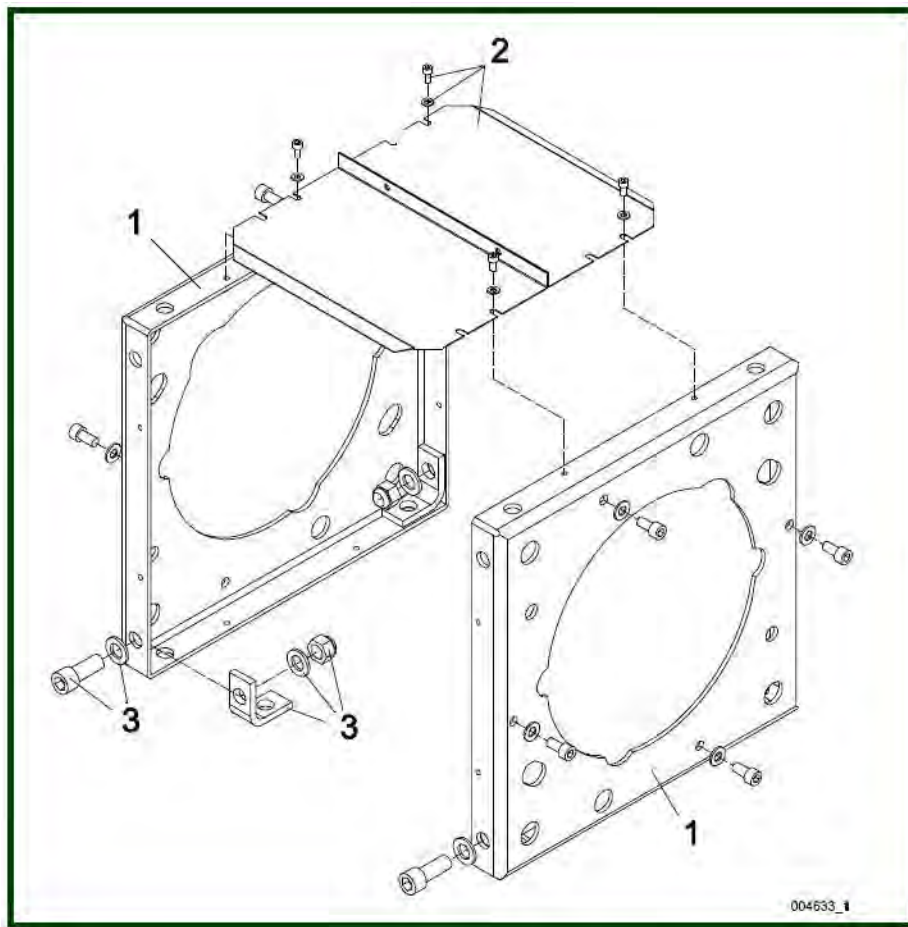
item	reference	description	observation	Quantity
1	<a href="#">VT0000716</a>	Flange set		2
2	<a href="#">VT0004717</a>	Cover	Longueur tambour / Hoist drum length A	1
2	<a href="#">VT1301LD01</a>	Cover	Longueur tambour / Hoist drum length A (VT0003290)	1
2	<a href="#">VT0004718</a>	Cover	Longueur tambour / Hoist drum length C	1
2	<a href="#">VT1301LD02</a>	Cover	Longueur tambour / Hoist drum length C (VT0003291)	1
2	<a href="#">VT0004823</a>	Cover set	Longueur tambour / Hoist drum length A	1
2	<a href="#">VT0004824</a>	Cover set	Longueur tambour / Hoist drum length C	1
3	<a href="#">VT1101L001</a>	Fixing module	Longueur tambour seulement C / Hoist drum length C only Code mouflage / Rope reeving code 04	1
4	<a href="#">VT0000717</a>	Piece support		1

## 1.2)F-H-M-MA-MB-N-W Trolley - Fixed and double girder



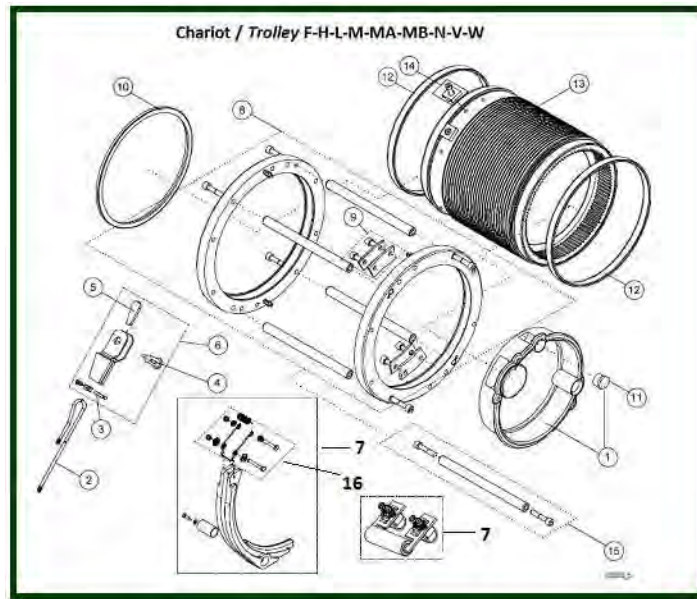
item	reference	description	observation	Quantity
2	<u>VT0004717</u>	Cover	Longueur tambour / Hoist drum length A	1
2	<u>VT1301LD01</u>	Cover	Longueur tambour / Hoist drum length A (VT0003290)	1
2	<u>VT0004718</u>	Cover	Longueur tambour / Hoist drum length C	1
2	<u>VT1301LD02</u>	Cover	Longueur tambour / Hoist drum length C (VT0003291)	1
3	<u>VT1301D004</u>	Fixing set	Kit de fixation / Fixing set F-H-M-MA-MB-N-W	1
4	<u>VT0000947</u>	End plate		2
5	<u>VT0000948</u>	Clamp		2
6	<u>VT0000949</u>	Fastener		2
7	<u>VT0000641</u>	Fixing set	Code mouflage 02 - Longueur tambour C Rope reeving code 02 - Hoist drum length C From H0105319	1

### 1.3) V Trolley - Machinery hoist

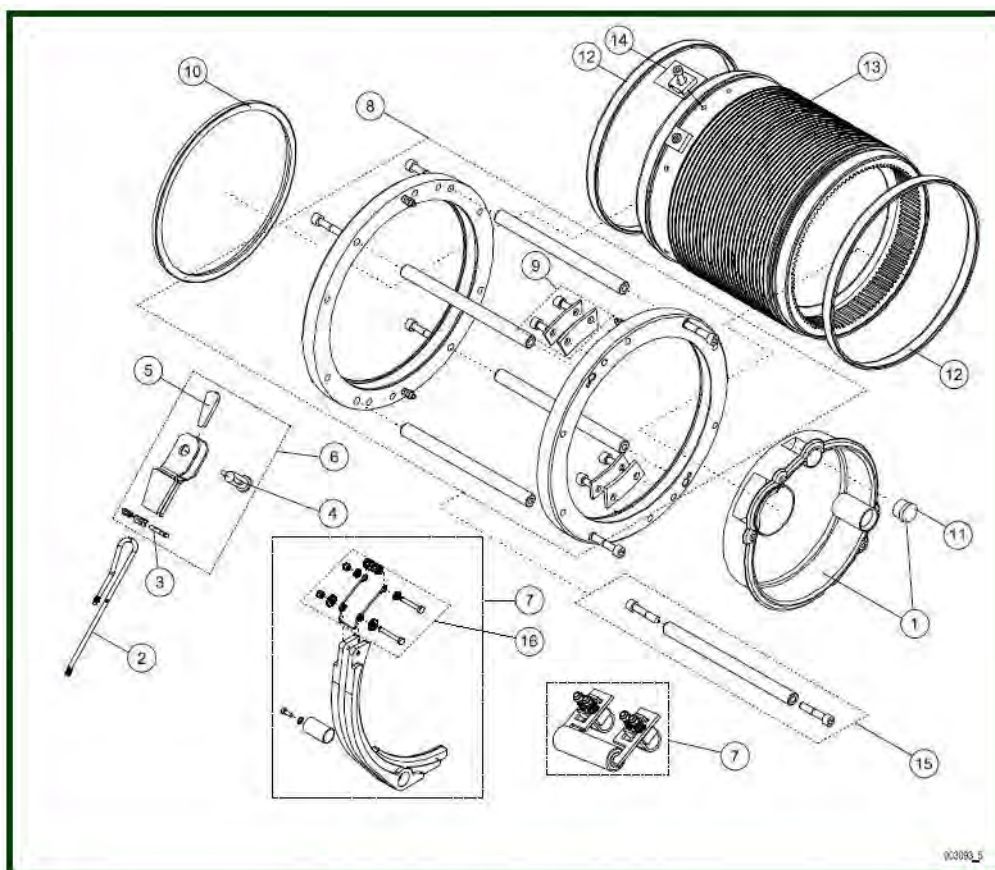


item	reference	description	observation	Quantity
1	<u>NC FLA</u>	End plate		2
2	<u>VT0000900</u>	Cover plate	Longueur tambour / Hoist drum length A	4
2	<u>VT0000901</u>	Cover plate	Longueur tambour / Hoist drum length C	4
3	<u>NC FIX</u>	Fixing plate		1

## 2) Rope drum



## 2.1) F-H-L-M-MA-MB-N-V-W Trolley



item	reference	description	observation	Quantity
1	<a href="#">VT0000441</a>	Cover set	Couronne réducteur	1
2	<a href="#">VT0003557</a>	Wire rope - Ø 6.4mm	Gauche / left - 8x19 Chariot / Trolley F-H-L-M-MA-MB-N-W-J-N	1
2	<a href="#">VT0001694</a>	Wire rope - Ø 6.7mm	Gauche / left - 17x7 Code mouflage / Rope reeving code A2,M2 Chariot / Trolley V	1
3	<a href="#">VT11020002</a>	Rope clamp - Ø 6.5 mm	Code mouflage / Rope reeving code A2,A4,M2	1
4	<a href="#">VT11020003</a>	Shaft		1
5	<a href="#">VT11020004</a>	Rope wedge	Code mouflage / Rope reeving code A2,A4,M2	1
6	<a href="#">VT11020005</a>	Wedge housing		1
7	<a href="#">VT0000448</a>	Pressure roller	Code mouflage M1-Tambour C / Rope reeving code M1-Drum C - Chariot / Trolley V	1
7	<a href="#">VT0000449</a>	Pressure roller	Code mouflage - Tambour C / Rope reeving code M2-Drum C Chariot / Trolley V	1
7	<a href="#">VT0000726</a>	Rope guide	Chariot / Trolley F-H-J-L-M-MA-MB-N-W	1
7	<a href="#">VT0000446</a>	Rope guide	Longueur tambour A - Code mouflage M1 Hoist drum lenght A - Rope reeving code M1 - Chariot / Trolley V	1
7	<a href="#">VT0000447</a>	Rope guide	Longueur tambour A - Code mouflage M2 Hoist drum lenght A / Rope reeving code M2 - Chariot / Trolley V	1
8	<a href="#">VT13020002</a>	Frame	Longueur tambour / Hoist drum length A	1
8	<a href="#">VT13020006</a>	Frame	Longueur tambour / Hoist drum length C	1
8	<a href="#">VT0002311</a>	Frame	Longueur tambour / Hoist drum length D	1
9	<a href="#">VT13020003</a>	Fixing set		1
10	<a href="#">VT11020007</a>	Sealing		1
11	<a href="#">VT11020008</a>	Capsule		1
12	<a href="#">VT11020009</a>	Bearing set		2
13	<a href="#">VT0003459</a>	Rope drum	Longueur tambour / Hoist drum length A Chariot / Trolley A-B-F-H-J-L-M-N-W	1
13	<a href="#">VT0000450</a>	Rope drum	Longueur tambour / Hoist drum length A - Chariot / Trolley V	1

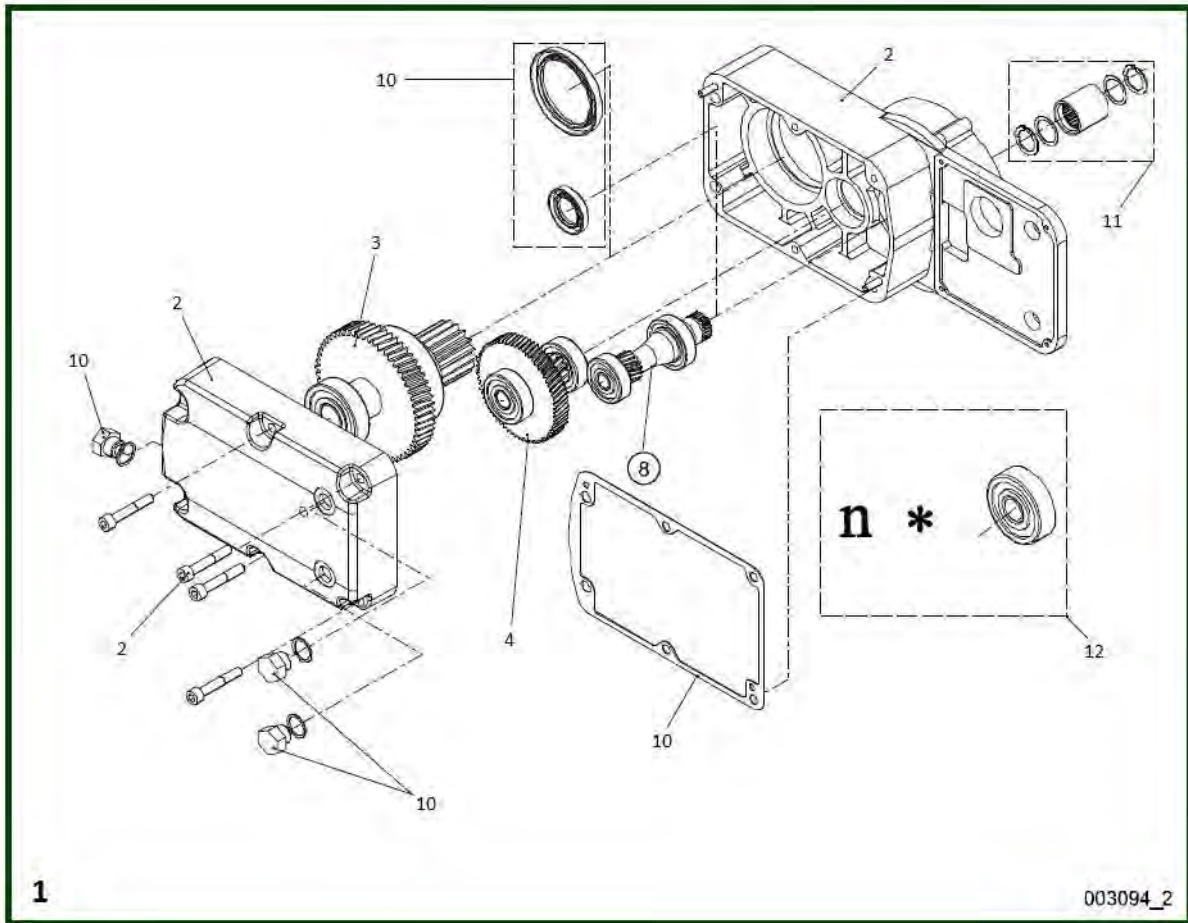


13	<u>VT0001229</u>	Rope drum	Longueur tambour / Hoist drum length C Chariot / Trolley A-B-F-H-J-L-M-N-W	1
13	<u>VT0003495</u>	Rope drum	Longueur tambour / Hoist drum length C - Chariot / Trolley V	1
13	<u>VT0003233</u>	Rope drum	Longueur tambour / Hoist drum length D Chariot / Trolley A-B-F-H-J-L-M-N-W	1
14	<u>VT13020004</u>	Rope clamp		2
15	<u>VT0000419</u>	Shaft set	Longueur tambour / Hoist drum length A	4
15	<u>VT0002310</u>	Shaft set	Longueur tambour / Hoist drum length D	4
15	<u>VT0000420</u>	Shaft set	Tambour / Drum C	4
16	<u>VT0004182</u>	Roller; Guide roller		1
-	<u>VT0000038</u>	Rope clamb	Chariot / Trolley V	1
-	<u>VT0000494</u>	Rope clam set		1
-	<u>VT0000492</u>	Rope clam set		1
-	<u>VT0000452</u>	Rope clam set		1

## 2.2) Precut rope

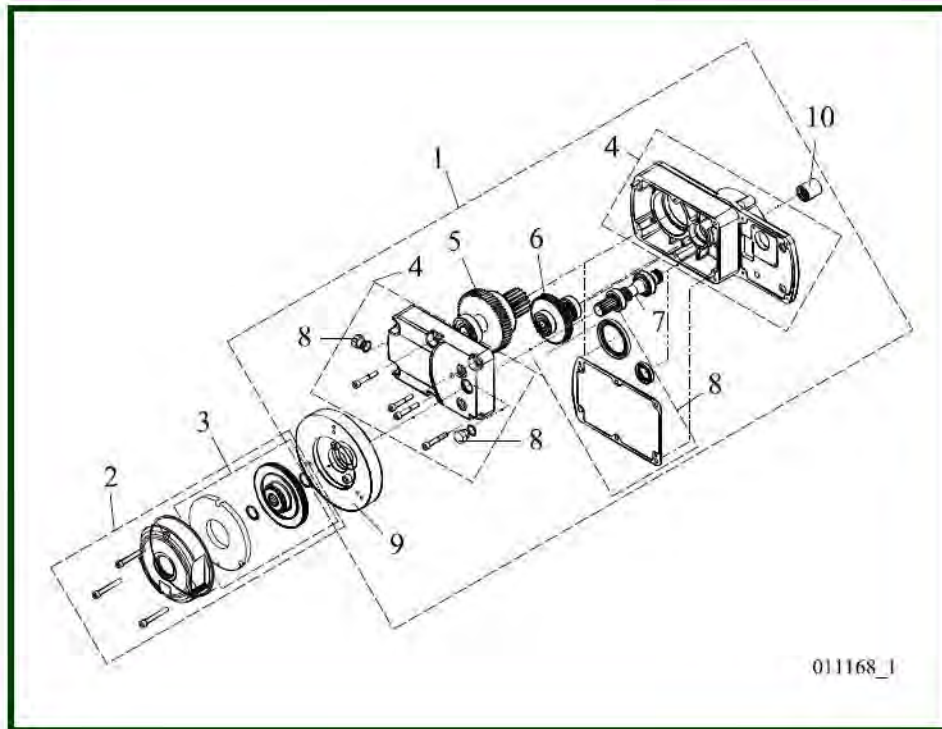
item	reference	description	observation	Quantity
	<u>53042837</u>	Precut wire rope - Ø 6.4mm Left 8x19 - Trolley F-H-L-M-MA-MB-N-W-J-N	28 m	1
	<u>53058915</u>	Precut wire rope - Ø 6.4mm Left 8x19 - Trolley F-H-L-M-MA-MB-N-W-J-N	30 m	1
	<u>53044868</u>	Precut wire rope - Ø 6.7mm Left 17x7	29 m	1

### 3) Gear



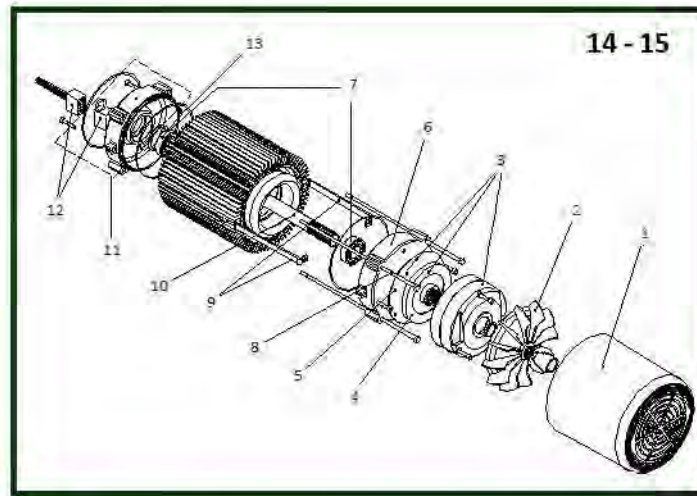
item	reference	description	observation	Quantity
1	<a href="#">VT0003478</a>	Gear	Type de réducteur / Hoisting gear type E	1
1	<a href="#">VT0000588</a>	Gear	Type de réducteur / Hoisting gear type F	1
1	<a href="#">VT0000590</a>	Gear	Type de réducteur / Hoisting gear type G	1
1	<a href="#">VT0003207</a>	Gear	Type de réducteur / Hoisting gear type H	1
2	<a href="#">NC CR</a>	Gear housing		1
3 & 4	<a href="#">NC ARB</a>	Spline shaft		1
10	<a href="#">VT13030003</a>	Sealing set		1
11	<a href="#">VT11030001</a>	Coupling sleeve		1
12	<a href="#">NC ROU</a>	Bearing set		1

### 3.1) Second disk brake



item	reference	description	observation	Quantity
1	<a href="#">VT0002519</a>	Gear	Type de réducteur / Hoisting gear type E	1
1	<a href="#">VT0002516</a>	Gear	Type de réducteur / Hoisting gear type F	1
1	<a href="#">VT0003370</a>	Gear	Type de réducteur / Hoisting gear type G (VT0002517)	1
1	<a href="#">VT0002518</a>	Gear	Type de réducteur / Hoisting gear type H	1
2	<a href="#">VT0003470</a>	Brake	200V 300V (VT0002515)	1
2	<a href="#">VT0003467</a>	Brake	346V 480V (VT0002512)	1
2	<a href="#">VT0003468</a>	Brake	500V 600V (VT0002513)	1
2	<a href="#">VT0003469</a>	Brake	660V 690V (VT0002514)	1
3	<a href="#">VT0003524</a>	Brake disc set	(VT0002667)	1
4	<a href="#">NC CR</a>	Gear housing		1
5 & 6 & 7	<a href="#">NC ARB</a>	Spline shaft		1
8	<a href="#">VT0002646</a>	Sealing seat		1
9	<a href="#">NC FIX</a>	Fixing plate		1
10	<a href="#">VT11030001</a>	Coupling sleeve		1

#### 4) Size lifting motor 1& 2 - Hoist motor type P & T

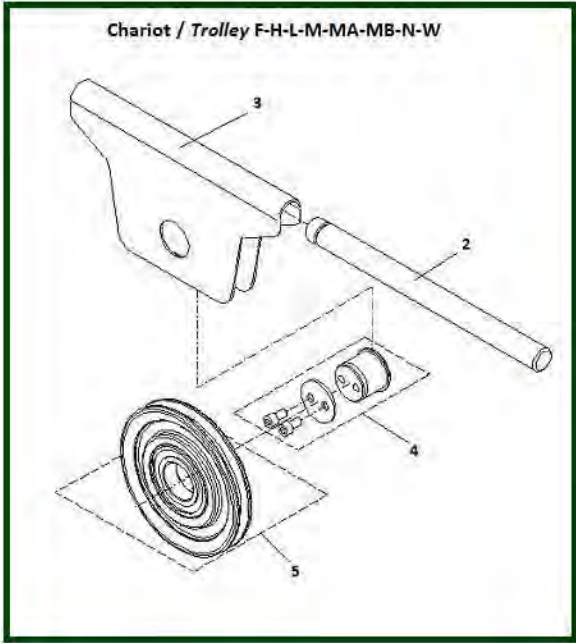


Lors de la commande d'un moteur, veuillez indiquer le n° de série  
 (When ordering a motor, please specify motor serial number)

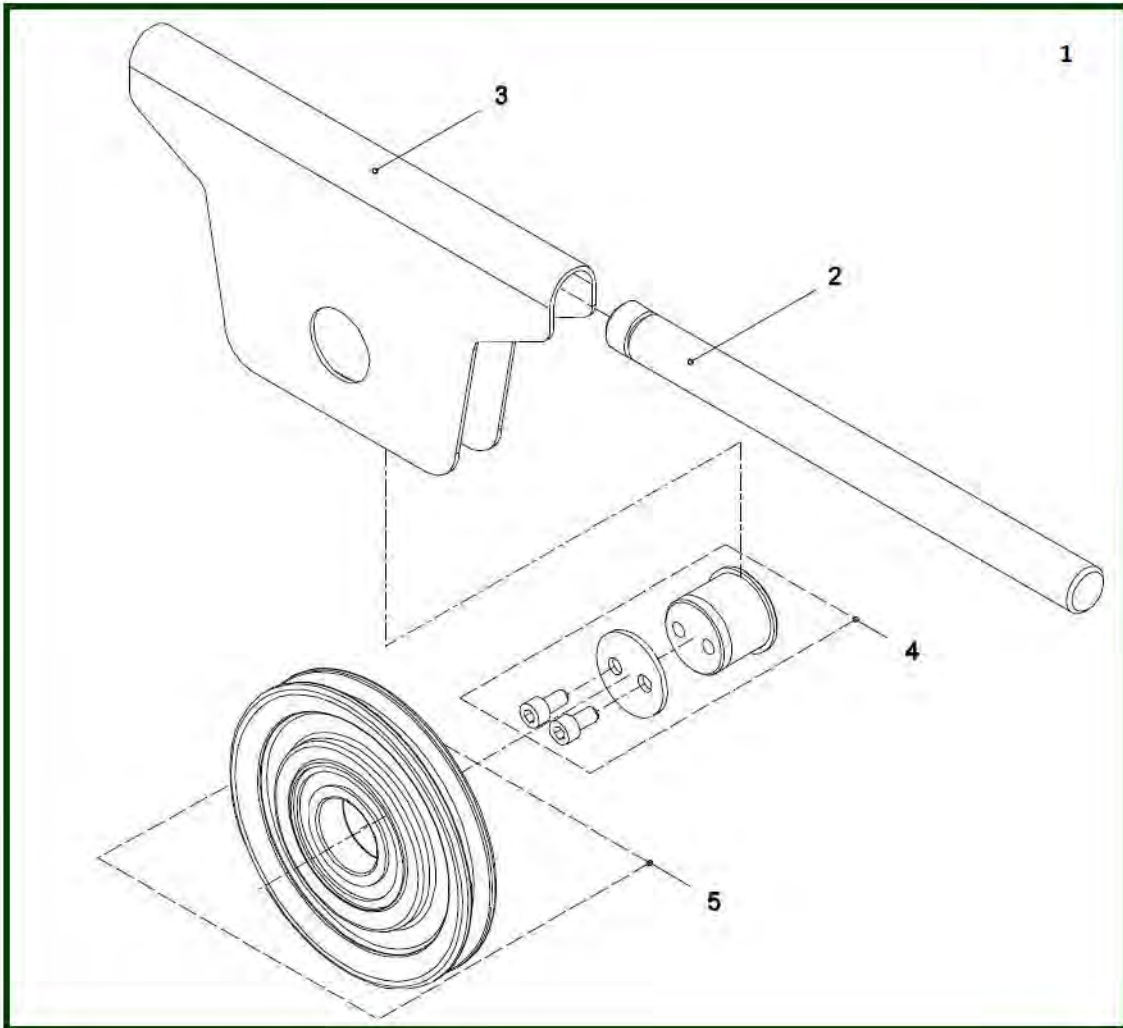
item	reference	description	observation	Quantity
1	<a href="#">VT0002298</a>	Cover		1
1	<a href="#">VT0000629</a>	Cover	(VT11040001-VT0000217)	1
2	<a href="#">VT11040002</a>	Van		1
3	<a href="#">VT14041001</a>	Brake - 200/240V	(VT0002863)	1
3	<a href="#">VT14041801</a>	Brake - 346/480V	(VT0002840)	1
3	<a href="#">VT0002848</a>	Brake - 500/600V		1
3	<a href="#">VT14042901</a>	Brake - 660/690V - 50Hz	(VT0002857)	1
4	<a href="#">VT11040003</a>	Brake disk		1
5	<a href="#">VT0000630</a>	Friction disc	(VT11040004)	1
6	<a href="#">VT0000632</a>	Flange	(VT11040007-VT11040007)	1
7	<a href="#">VT13040001</a>	Bearing set	Type de moteur / Hoist motor type T	1
8	<a href="#">VT13040181</a>	Screw set	Taille moteur levage / Hoist motor size 1	1
8	<a href="#">VT13040361</a>	Screw set	Taille moteur levage / Hoist motor size 2	1
9	<a href="#">VT11040006</a>	Support		1
10	<a href="#">VT13040182</a>	Shaft assembly	P1	1
10	<a href="#">VT13040362</a>	Shaft assembly	P2	1
10	<a href="#">VT0000067</a>	Shaft assembly	Type de moteur / Hoist motor type T	1
11	<a href="#">VT0000051</a>	Flange	(VT11040005 VT11040007)	1
12	<a href="#">VT0001784</a>	Plug	(VT14040001 - VT0000631)	1
13	<a href="#">VT0000069</a>	Sensor	Type de moteur / Hoist motor type T	1
14	<a href="#">NC(5)</a>	External chain guide	Not supplied anymore replaced by 52309591	1
14	<a href="#">VT0001875</a>	Motor	Taille moteur levage / Hoist motor size 1 Type de moteur/Hoist motor type T	1
14	<a href="#">VT0001876</a>	Motor	Taille moteur levage / Hoist motor size 2 Type de moteur/Hoist motor type T	1
14	<a href="#">VT0001874</a>	Motor 208/230V 60Hz	P2-Fin de course mécanique - Sans dispositif de surcharge - Jauge de contrainte P2-Mechanical limit switch - Without overload device -Strain gauge	1
14	<a href="#">VT0001704</a>	Motor 220/240V 50Hz	P1-Fin de course mécanique - Sans dispositif de surcharge - Jauge de contrainte P1-Mechanical limit switch - Without overload device -Strain gauge	1
14	<a href="#">VT0001705</a>	Motor 220/240V 50Hz	P2-Fin de course mécanique - Sans dispositif de surcharge - Jauge de contrainte P2-Mechanical limit switch - Without overload device -Strain gauge	1
14	<a href="#">VT14041811</a>	Motor 380/415V 50Hz - 440/480 60Hz	P1-Fin de course mécanique - Sans dispositif de surcharge - Jauge de contrainte P1-Mechanical limit switch - Without overload device -Strain gauge	1

14	<u>VT14041831</u>	Motor 380/415V 50Hz - 440/480 60Hz	P2-Fin de course mécanique - Sans dispositif de surcharge - Jauge de contrainte P2-Mechanical limit switch - Without overload device -Strain gauge	1
14	<u>VT0000040</u>	Motor 500/525V 50Hz - 550/600V 60Hz	P2-Fin de course mécanique - Sans dispositif de surcharge - Jauge de contrainte P2-Mechanical limit switch - Without overload device -Strain gauge	1
14	<u>VT0000039</u>	Motor 500/525V 50Hz - 550/600V 60Hz	P1-Fin de course mécanique - Sans dispositif de surcharge - Jauge de contrainte P1-Mechanical limit switch - Without overload device -Strain gauge	1
15	<u>VT0002115</u>	Motor 208/230V 60Hz	P1-Fin de course mécanique - Mesure de puissance de levage P1-Mechanical limit switch - Hoist power measurement	1
15	<u>VT0002118</u>	Motor 208/230V 60Hz	P2-Fin de course mécanique - Mesure de puissance de levage P2-Mechanical limit switch - Hoist power measurement	1
15	<u>VT0002117</u>	Motor 220/240V 50Hz	P2-Fin de course mécanique - Mesure de puissance de levage P2-Mechanical limit switch - Hoist power measurement	1
15	<u>VT0002114</u>	Motor 220/240V 50Hz	P1-Fin de course mécanique - Mesure de puissance de levage P1-Mechanical limit switch - Hoist power measurement	1
15	<u>VT0002113</u>	Motor 380/415V 50Hz - 440/480 60Hz	P1-Fin de course mécanique - Mesure de puissance de levage P1-Mechanical limit switch - Hoist power measurement	1
15	<u>VT0002112</u>	Motor 380/415V 50Hz - 440/480 60Hz	P2-Fin de course mécanique - Mesure de puissance de levage P2-Mechanical limit switch - Hoist power measurement	1
15	<u>VT0002116</u>	Motor 500/525V 50Hz - 550/600V 60Hz	P1-Fin de course mécanique - Mesure de puissance de levage P1-Mechanical limit switch - Hoist power measurement	1
15	<u>VT0002119</u>	Motor 500/525V 50Hz - 550/600V 60Hz	P2-Fin de course mécanique - Mesure de puissance de levage P2-Mechanical limit switch - Hoist power measurement	1

**5) Rope sheave**



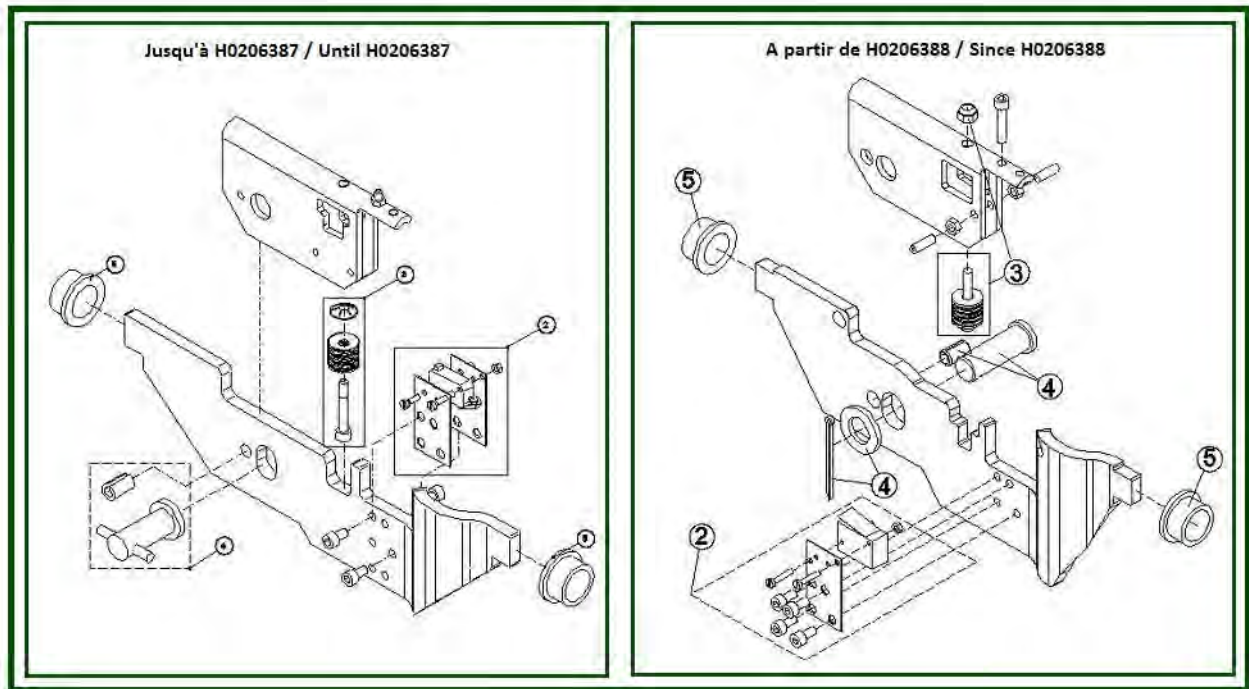
## 5.1) F-H-L-M-MA-MB-N-W Trolley



item	reference	description	observation	Quantity
1	<a href="#">VT13054101</a>	Sheave; Rope sheave		1
2	<a href="#">VT11054101</a>	Shaft		1
3	<a href="#">VT11054102</a>	Sheave support		1
4	<a href="#">VT13054103</a>	Shaft set	Code mouflage / Reeving system A4	1
5	<a href="#">VT0000727</a>	Sheave; Rope sheave - Ø 146		1

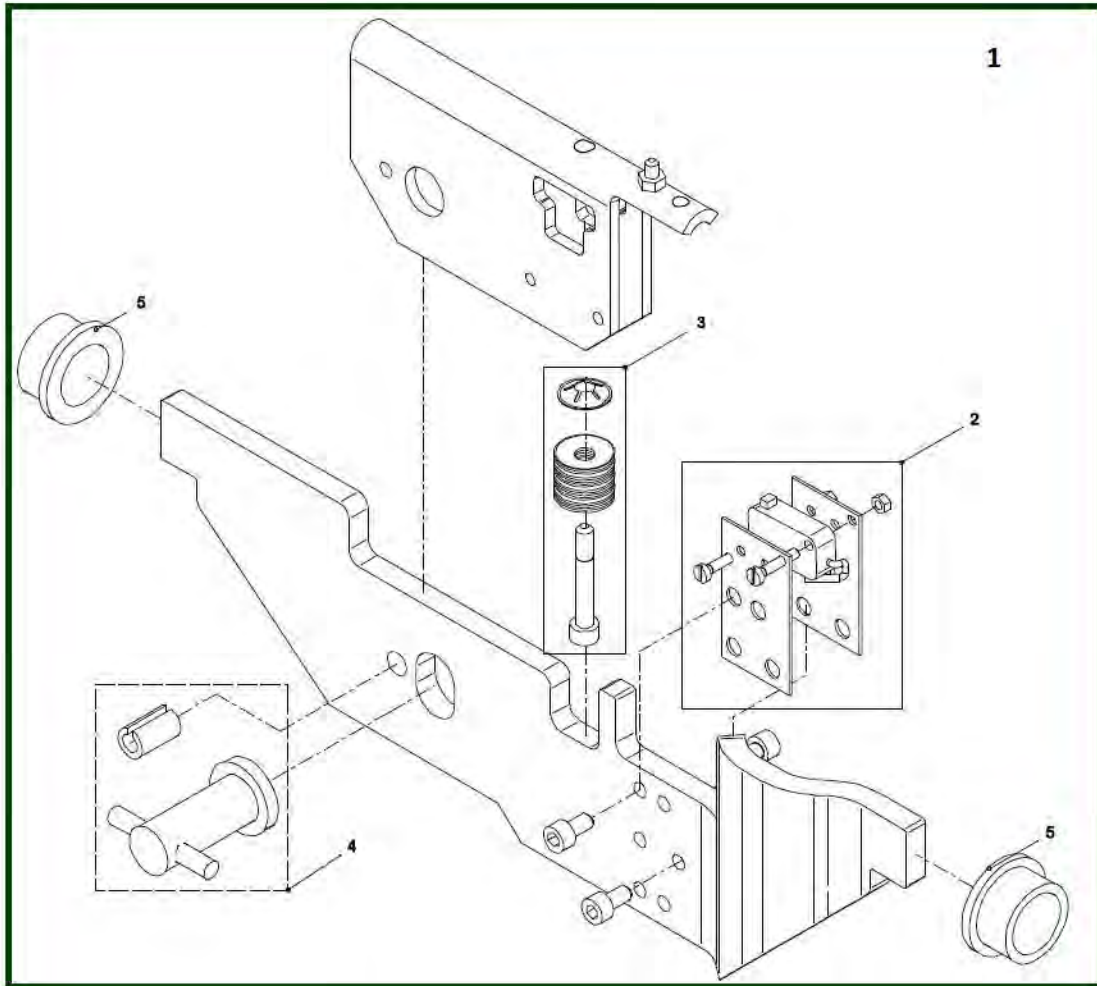


## 6) Overload device



**6.1) Rope reeving code 04/1 - Overload device type = MEC, MECPOW  
(mechanical, current measurement + mechanical)  
F-H-L-M-MA-MB-N-W Trolley**

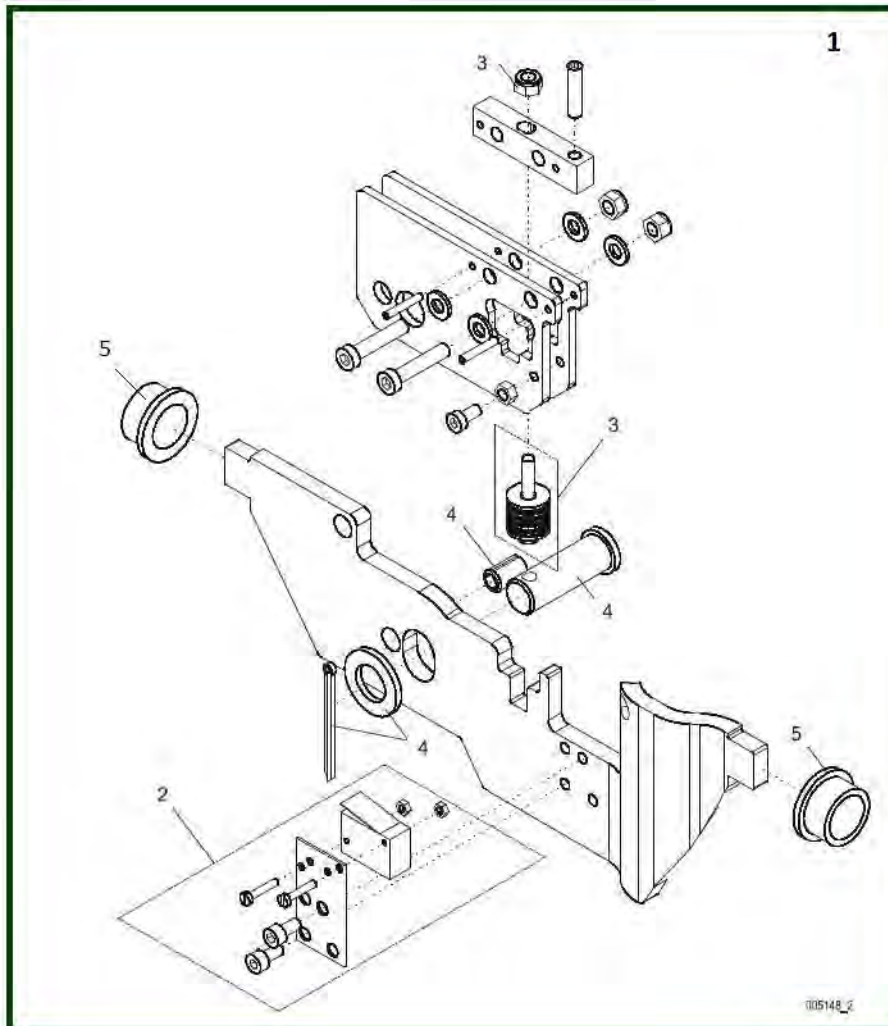
Jusqu'à / Up to H0206387



item	reference	description	observation	Quantity
1	<u>VT0000004</u>	Overload device	1251-3200kg - Code mouflage / Rope reeving code 04	1
1	<u>VT0000005</u>	Overload device	< 1250 kg - Code mouflage / Rope reeving code 04	1
2	<u>VT14060001</u>	Micro switch		1
3	<u>VT13060002</u>	Spring set	625-1600 kg - Code mouflage / Rope reeving code 02 1250-3199 kg - Code mouflage / Rope reeving code 04	1
3	<u>VT0000010</u>	Spring set	< 626 kg - Code mouflage / Rope reeving code 02 < 1250 kg - Code mouflage / Rope reeving code 04	1
4	<u>VT13060003</u>	Shaft set		1
5	<u>VT11060001</u>	Bearing		1

**6.2) Rope reeving code 04/1 - Overload device type = MEC, MECPOW  
(mechanical, current measurement + mechanical)  
F-H-L-M-MA-MB-N-W Trolley**

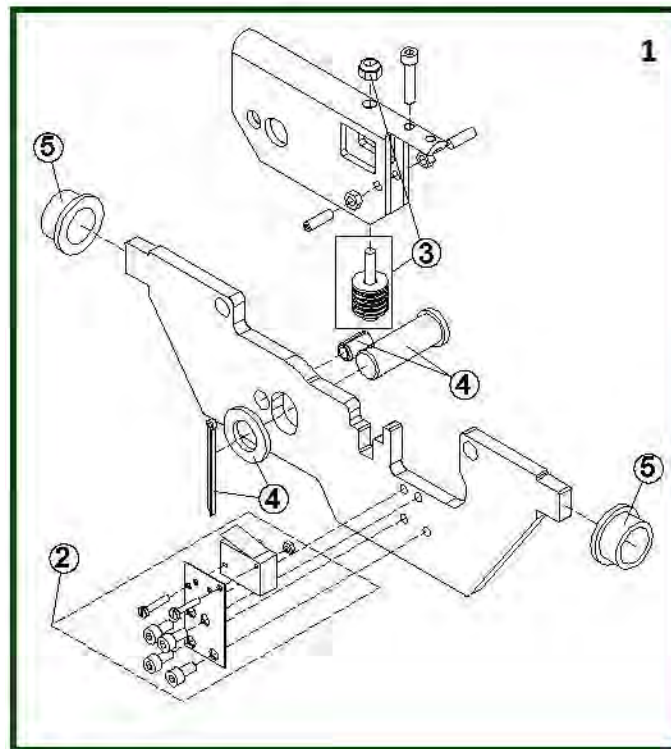
A partir de / From H0206388



item	reference	description	observation	Quantity
1	<a href="#">VT0000007</a>	Overload device	1000-1599 kg - Code mouflage / Rope reeving code 04	1
1	<a href="#">VT0000006</a>	Overload device	1600-3199 kg - Code mouflage / Rope reeving code 04	1
2	<a href="#">VT0000952</a>	Micro switch		1
3	<a href="#">VT0000961</a>	Spring set	500-799 kg - Code mouflage / Rope reeving code 02 1000-1599 kg - Code mouflage / Rope reeving code 04	1
3	<a href="#">VT0000960</a>	Spring set	800-1600 kg - Code mouflage / Rope reeving code 02 1600-3200 kg - Code mouflage / Rope reeving code 04	1
4	<a href="#">VT13060003</a>	Shaft set		1
5	<a href="#">VT11060001</a>	Bearing		1

**6.3) Rope reeving code 02/1 - Overload device type MEC, MECPOW  
(mechanical, current measurement+mechanical)  
F-H-L-M-MA-MB-N-W Trolley**

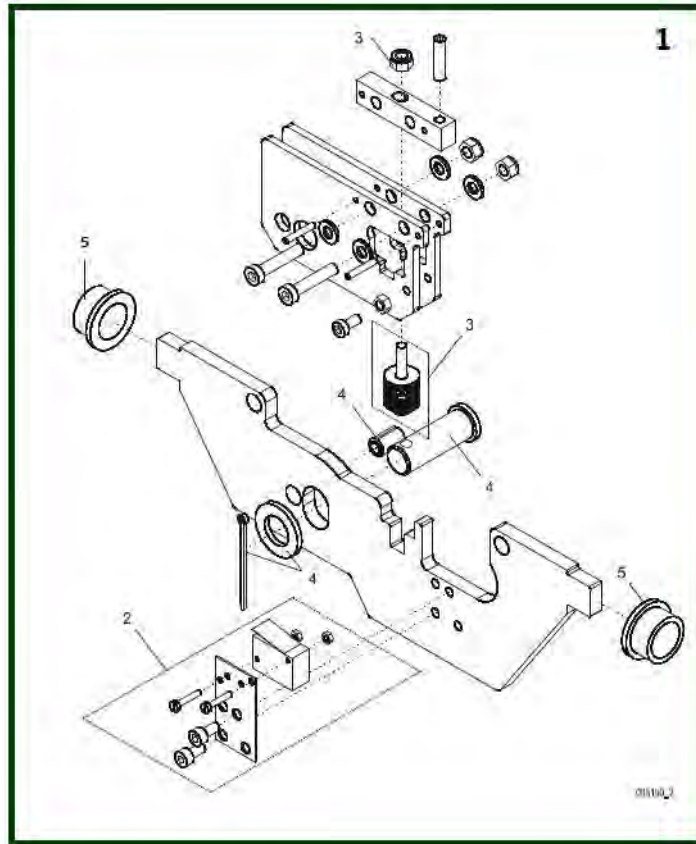
Jusqu'à / Up to H0206387



item	reference	description	observation	Quantity
1	<a href="#">VT13060001</a>	Overload device	625-1600 kg - Code mouflage / Rope reeving code 02	1
1	<a href="#">VT0000001</a>	Overload device	< 625 kg - Code mouflage / Rope reeving code 02	1
2	<a href="#">VT14060001</a>	Micro switch		1
3	<a href="#">VT13060002</a>	Spring set	625-1600 kg - Code mouflage / Rope reeving code 02 1250-3199 kg - Code mouflage / Rope reeving code 04	1
3	<a href="#">VT0000010</a>	Spring set	< 626 kg - Code mouflage / Rope reeving code 02 < 1250 kg - Code mouflage / Rope reeving code 04	1
4	<a href="#">VT13060003</a>	Shaft set		1
5	<a href="#">VT11060001</a>	Bearing		1

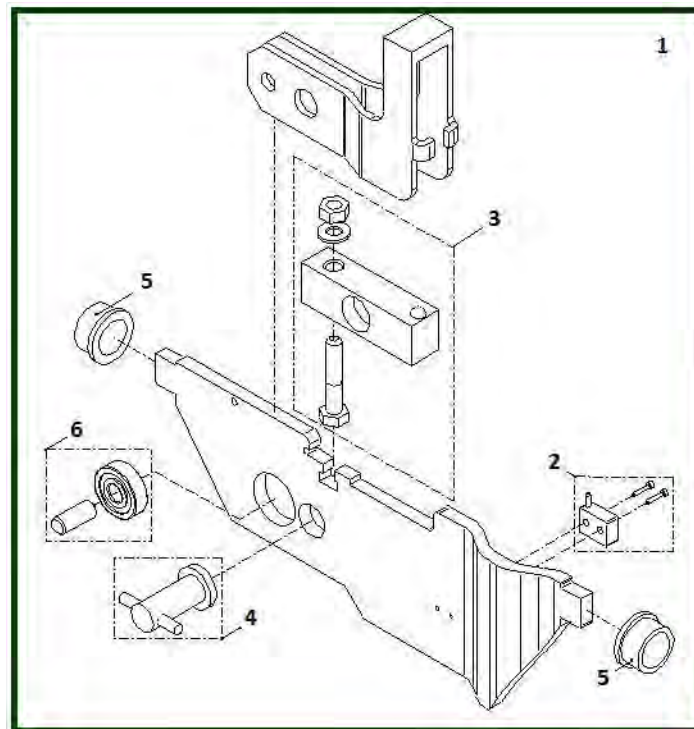
**6.4) Rope reeving code 02/1 - Overload device type = MEC,MECPOW**  
**(mechanical, current measurement+mechanical)**  
**F-H-L-M-MA-MB-N-W Trolley**

A partir de / From H0206388



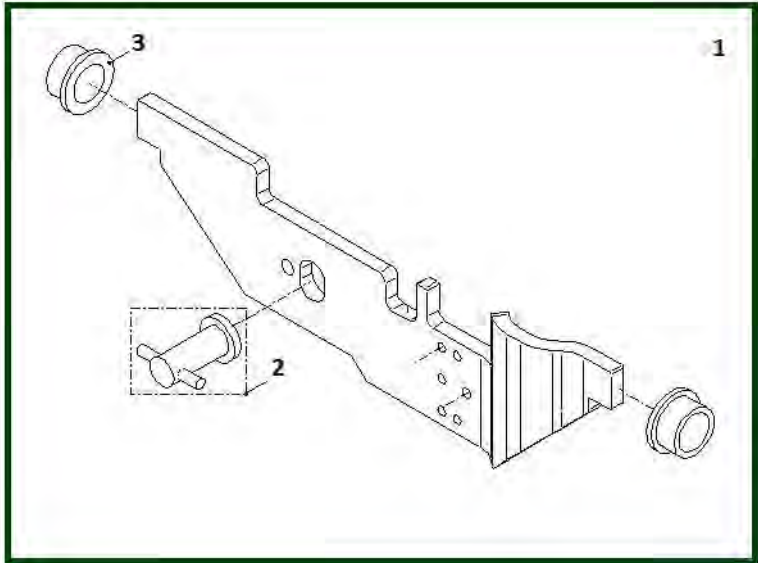
item	reference	description	observation	Quantity
1	<a href="#">VT0000003</a>	Overload device	500-799 kg - Code mouflage / Rope reeving code 02	1
1	<a href="#">VT0000002</a>	Overload device	800-1600 kg - Code mouflage / Rope reeving code 02	1
2	<a href="#">VT0000952</a>	Micro switch		1
3	<a href="#">VT0000961</a>	Spring set	500-799 kg - Code mouflage / Rope reeving code 02 1000-1599 kg - Code mouflage / Rope reeving code 04	1
3	<a href="#">VT0000960</a>	Spring set	800-1600 kg - Code mouflage / Rope reeving code 02 1600-3200 kg - Code mouflage / Rope reeving code 04	1
3	<a href="#">VT0000010</a>	Spring set	< 626 kg - Code mouflage / Rope reeving code 02 < 1250 kg - Code mouflage / Rope reeving code 04	1
4	<a href="#">VT13060003</a>	Shaft set		1
5	<a href="#">VT11060001</a>	Bearing		1

## 6.5) SG Overload device / Otherwise gauge



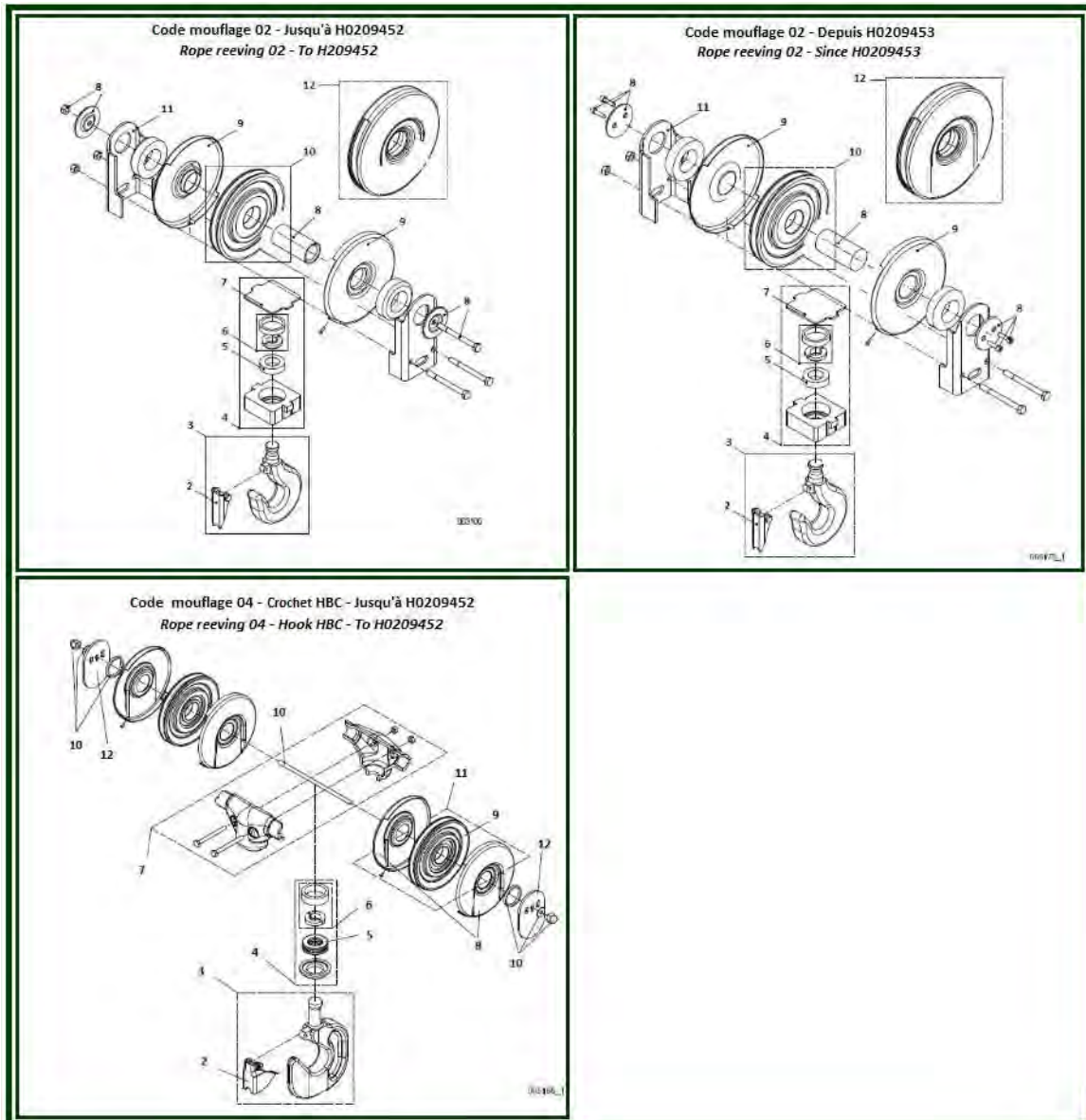
item	reference	description	observation	Quantity
1	<u>VT13060004</u>	Overload device	Code mouflage / Rope reeving code 02	1
1	<u>VT0000013</u>	Overload device	Code mouflage / Rope reeving code 04	1
2	<u>VT0000011</u>	Micro switch		1
3	<u>VT0003705</u>	Strain Gauge	From serial n° HHY49374 (KHF own hoists) and HHZ05271 (engines)	1
3	<u>VT0000014</u>	Strain Gauge	To serial n° HHY49373 (KHF own hoists) and HHZ05270 (engines) - (VT13060005)	1
4	<u>VT0000012</u>	Shaft set	(VT0000579)	1
5	<u>VT11060001</u>	Bearing		2
6	<u>VT13060006</u>	Bearing set		1

**6.6) Rope reeving 02-04-06-08-22-24-26-28 - Overload device type = NO,POW (without, motor current measurement)**



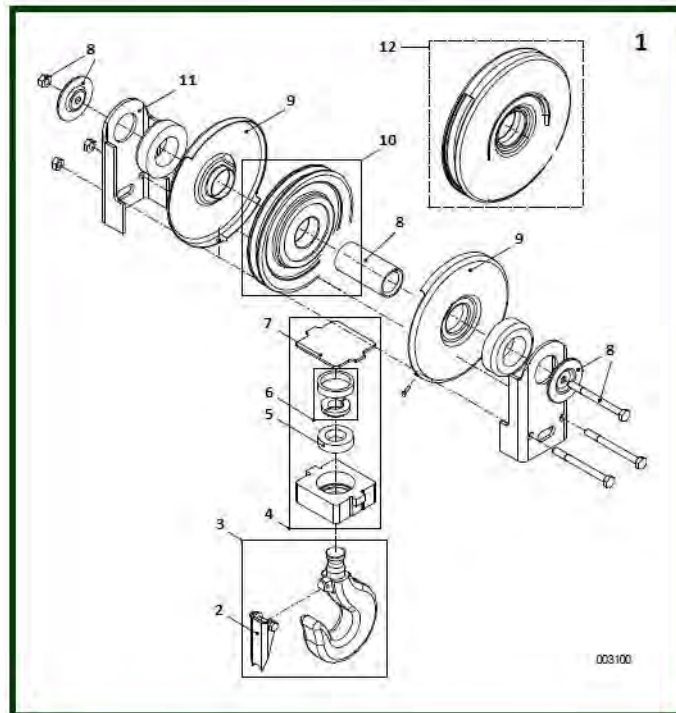
item	reference	description	observation	Quantity
1	<a href="#">VT0000580</a>	Rope support	Code mouflage / Rope reeving code 02	1
1	<a href="#">VT0000581</a>	Rope support	Code mouflage / Rope reeving code 04	1
2	<a href="#">VT0000012</a>	Shaft set	(VT0000579)	1
3	<a href="#">VT11060001</a>	Bearing		1

## 7) Hook



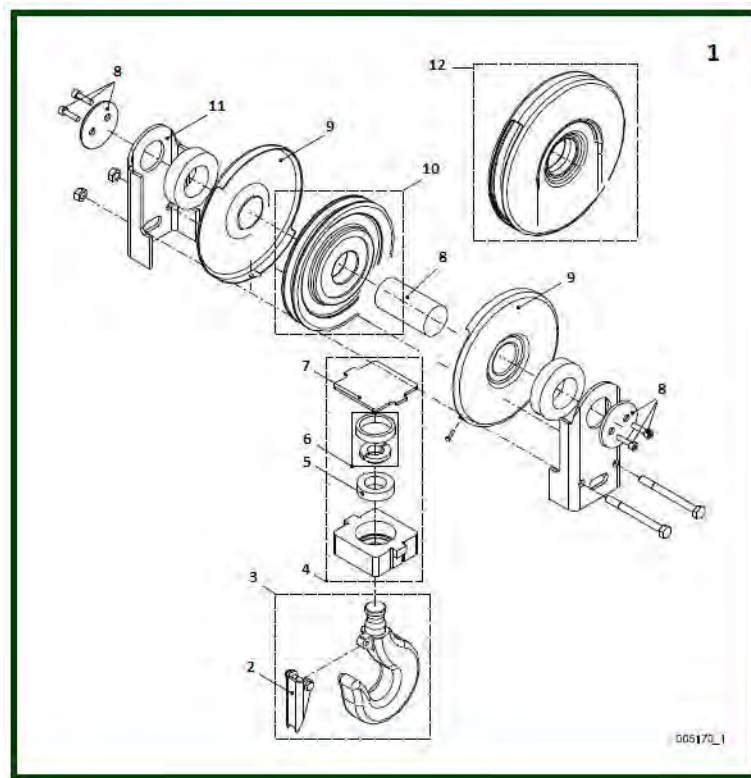


## 7.1) Rope reeving code 02 - Up to H0209452



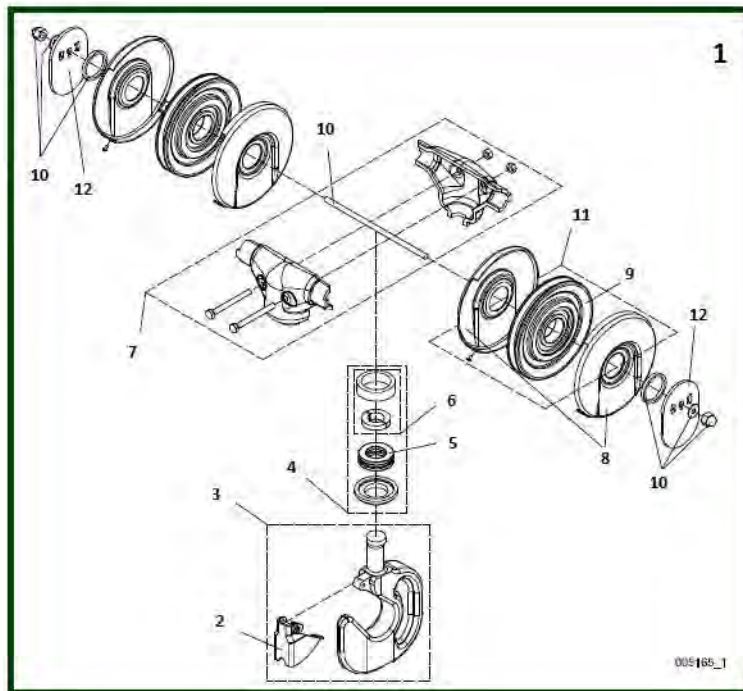
item	reference	description	observation	Quantity
1	<u>VT0000464</u>	Hook block	Taille crochet / Special hook forging : RSN2.5	1
1	<u>VT0000461</u>	Hook block	Taille crochet / Special hook forging size : RSN1.6	1
1	<u>VT0000465</u>	Hook block	Taille crochet / Special hook forging size : RSN4	1
2	<u>VT11072101</u>	Safety latch	HBC hook forging replaced by standard RSN forging = "FALSE"	1
3	<u>VT0000466</u>	Hook	Taille crochet / Special hook forging : RSN2.5	1
3	<u>VT0000467</u>	Hook	Taille crochet / Special hook forging : RSN4	1
3	<u>VT0000462</u>	Hook	Taille crochet / Special hook forging size : RSN1.6	1
4	<u>VT13072102</u>	Bearing set		1
5	<u>VT11074103</u>	Thrust bearing		1
6	<u>VT13072103</u>	Locking set		1
7	<u>VT11072104</u>	Cover plate		1
8	<u>VT13072104</u>	Shaft assy	Jusqu'à / to H0209452	1
9	<u>VT0000475</u>	Cover plate	Jusqu'à / to H0209452	1
10	<u>VT0000727</u>	Sheave; Rope sheave - Ø 146		1
11	<u>VT11072105</u>	Side plate		1
12	<u>VT0000476</u>	Rope sheave set	Jusqu'à / to H0209452	1

## 7.2) Rope reeving code 02 - From H0209453



item	reference	description	observation	Quantity
1	<a href="#">VT0000464</a>	Hook block	Taille crochet / Special hook forging : RSN2.5	1
1	<a href="#">VT0000461</a>	Hook block	Taille crochet / Special hook forging size : RSN1.6	1
1	<a href="#">VT0000465</a>	Hook block	Taille crochet / Special hook forging size : RSN4	1
2	<a href="#">VT11072101</a>	Safety latch	HBC hook forging replaced by standard RSN forging = "FALSE"	1
3	<a href="#">VT0000466</a>	Hook	Taille crochet / Special hook forging : RSN2.5	1
3	<a href="#">VT0000467</a>	Hook	Taille crochet / Special hook forging : RSN4	1
3	<a href="#">VT0000462</a>	Hook	Taille crochet / Special hook forging size : RSN1.6	1
4	<a href="#">VT13072102</a>	Bearing set		1
5	<a href="#">VT11074103</a>	Thrust bearing		1
6	<a href="#">VT13072103</a>	Locking set		1
7	<a href="#">VT11072104</a>	Cover plate		1
8	<a href="#">VT0001251</a>	Shaft assy	Depuis / From H0209453	1
9	<a href="#">VT0001253</a>	Cover plate	Depuis / From H0209453	1
10	<a href="#">VT0000727</a>	Sheave; Rope sheave - Ø 146		1
11	<a href="#">VT11072105</a>	Side plate		1
12	<a href="#">VT0001255</a>	Rope sheave set	Depuis / From H0209453	1

### 7.3) Rope reeving code 04 - HBC hook - Up to H0209452

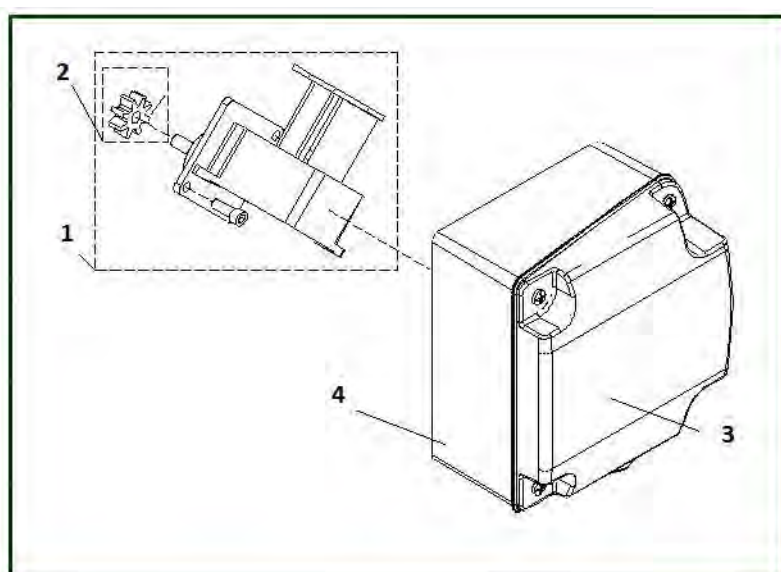


item	reference	description	observation	Quantity
1	<a href="#">VT0002155</a>	Hook block		1
1	<a href="#">VT0003315</a>	Hook block		1
1	<a href="#">VT0001335</a>	Hook block		1
1	<a href="#">VT0000586</a>	Hook block	Remplace / Replaces : 52295978	1
2	<a href="#">VT0000398</a>	Safety latch set	HBC hook forging replaced by standard RSN forging = "FALSE"	1
2	<a href="#">VT0000282</a>	Safety latch set	Jusqu'à / To H0206303 VT11072101	1
3	<a href="#">VT0002499</a>	Hook		1
3	<a href="#">VT0002470</a>	Hook		1
3	<a href="#">VT0002461</a>	Hook	HBC hook forging replaced by standard RSN forging = "FALSE"	1
3	<a href="#">VT11074102</a>	Hook	Moufle 4/1	1
4	<a href="#">VT13074102</a>	Bearing set		1
5	<a href="#">VT11074103</a>	Thrust bearing		1
6	<a href="#">VT13072103</a>	Locking set		1
7	<a href="#">VT13074103</a>	Bearing set	Jusqu'à / Up to H0209452	1
8	<a href="#">VT0000472</a>	Cover plate	Jusqu'à / Up to H0209452	2
9	<a href="#">VT0000727</a>	Sheave; Rope sheave - Ø 146		2
10	<a href="#">VT13074104</a>	Shaft set (item 12)	Jusqu'à / Up to H0209452	1
11	<a href="#">VT0000474</a>	Sheave / Rope sheave	Jusqu'à / Up to H0209452	2
12	<a href="#">VT0001336</a>	Locking plate		2

## 7.4) Rope reeving 04 - HBC Hook - Since H0209453

item	reference	description	observation	Quantity
1	<u>VT0002155</u>	Hook block		1
1	<u>VT0003315</u>	Hook block		1
1	<u>VT0001335</u>	Hook block		1
1	<u>VT0000586</u>	Hook block	Remplace / Replaces : 52295978	1
2	<u>VT0000398</u>	Safety latch set	HBC hook forging replaced by standard RSN forging = "FALSE"	1
2	<u>VT0000282</u>	Safety latch set	Jusqu'à / To H0206303 VT11072101	1
3	<u>VT0002499</u>	Hook		1
3	<u>VT0002470</u>	Hook		1
3	<u>VT0002461</u>	Hook	HBC hook forging replaced by standard RSN forging = "FALSE"	1
3	<u>VT11074102</u>	Hook	Moufle 4/1	1
4	<u>VT13074102</u>	Bearing set		1
5	<u>VT11074103</u>	Thrust bearing		1
6	<u>VT13072103</u>	Locking set		1
7	<u>VT0001256</u>	Bearing set	Depuis / From H0209453	1
8	<u>VT0001253</u>	Cover plate	Depuis / From H0209453	2
9	<u>VT0000727</u>	Sheave; Rope sheave - Ø 146		2
10	<u>VT0001258</u>	Shaft set (item 12)	Depuis / From H0209453	1
11	<u>VT0001255</u>	Rope sheave set	Depuis / From H0209453	2
12	<u>VT0001336</u>	Locking plate		2

## 8) Hoisting limit switch



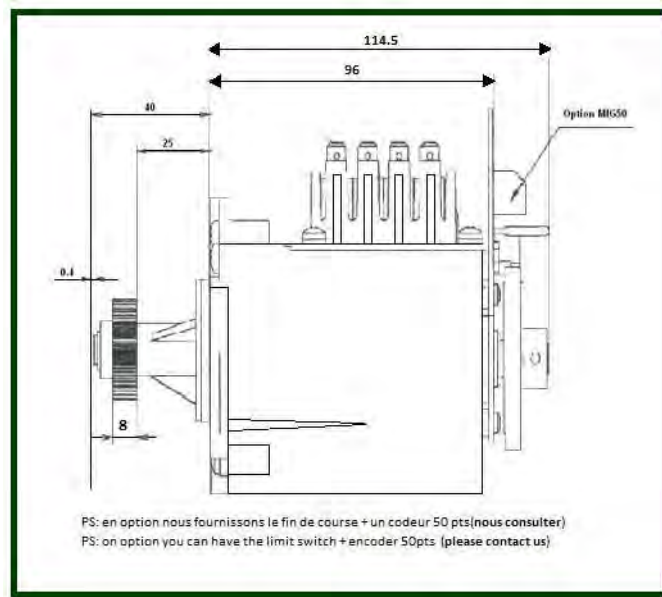
item	reference	description	observation	Quantity
1	<u>VT14080001</u>	Limit switch	Numéro de série requis / Hoist serial number requested	1
1	<u>VT0000422</u>	Limit switch	Numéro de série requis - Remplacé par 52322706 pour tambour A - Remplacé par 52322713 pour tambour C Serial number requested - Replaced by 52322706 for Drum A - Replaced by 52322713 for drum C	1
2	<u>VT11080002</u>	Gear wheel set		1
3	<u>VT0001238</u>	Junction box	Couvercle	1
3+4	<u>VT0002462</u>	Junction box		1
4	<u>VT0001248</u>	Junction box	Embase	1
-	<u>VT14080002</u>	Drum	Tambour / Drum : A-C	1

## **8.1) Standard lifting**



<b>item</b>	<b>reference</b>	<b>description</b>	<b>observation</b>	<b>Quantity</b>
-	<u>52322706</u>	Limit switch	Tambour / Drum A	1
-	<u>52322713</u>	Limit switch	Tambour / Drum C	1

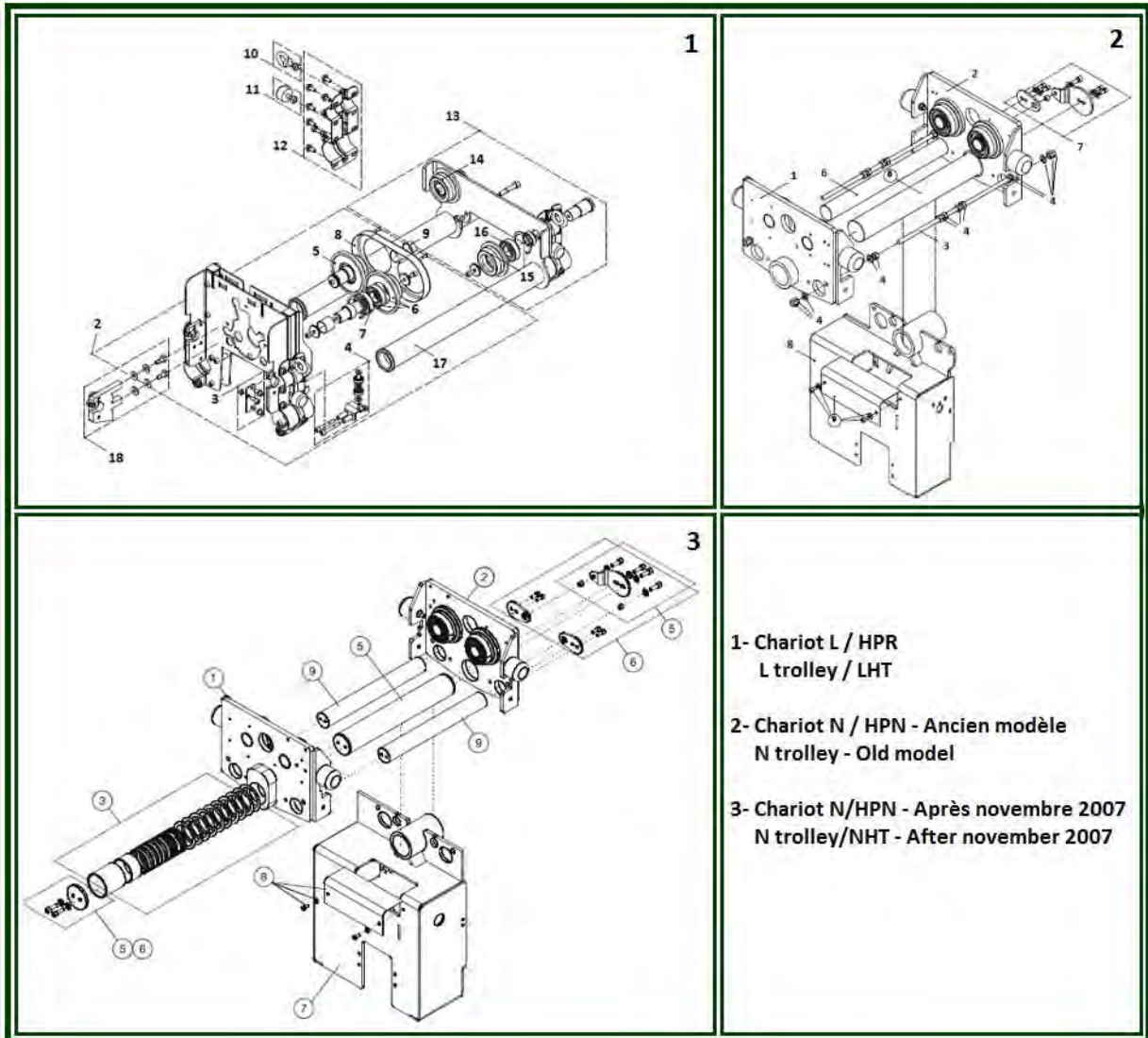
## 8.2) True vertical lifting



item	reference	description	observation	Quantity
1	<u>52322706</u>	Limit switch	Tambour / Drum A	1

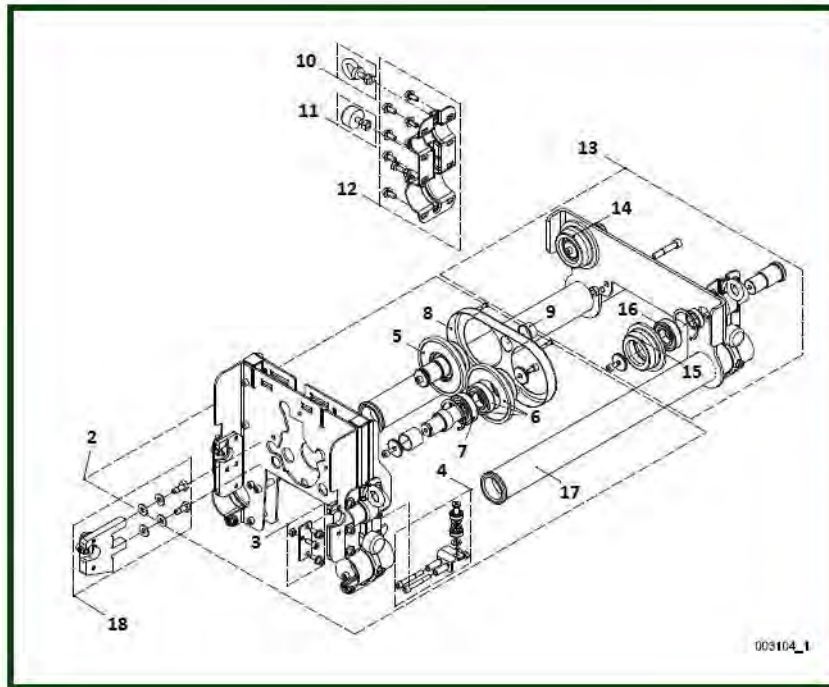
## 9) Trolley

Charge (S) <= 5000 / Type de chariot = L



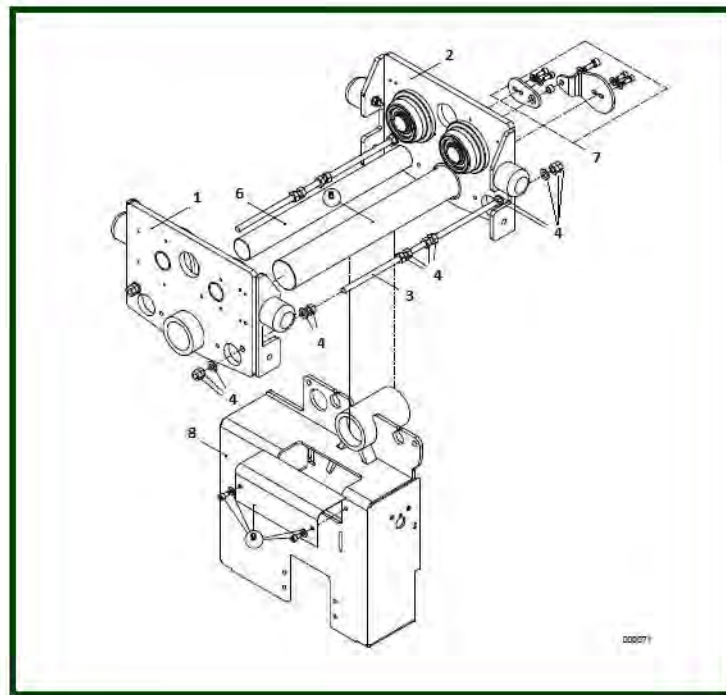


## 9.1) L Trolley / LHT



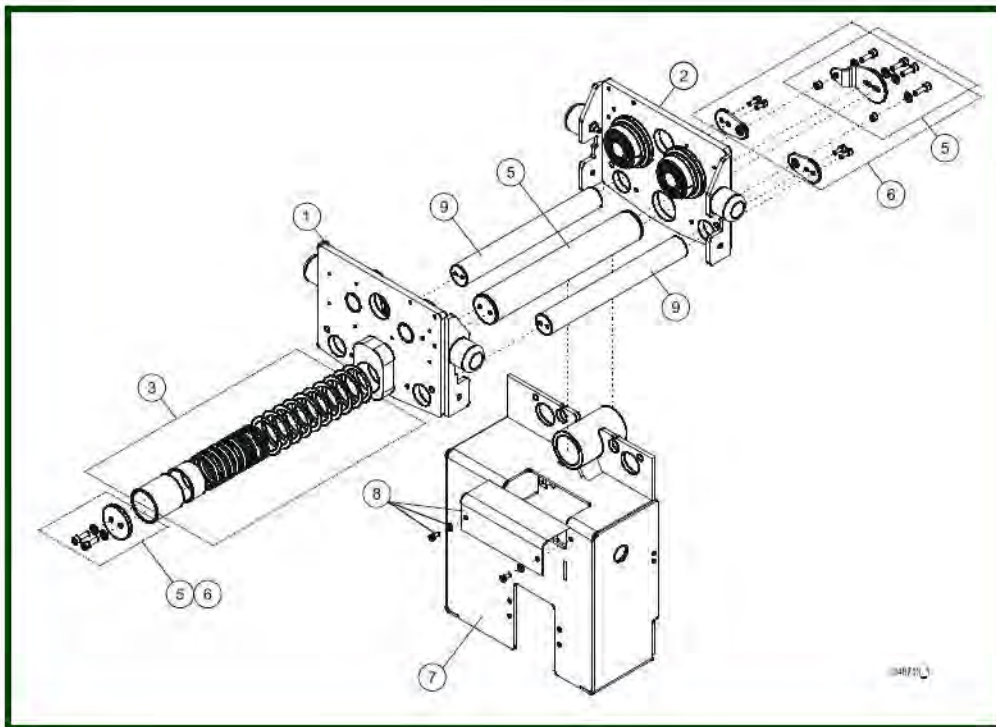
item	reference	description	observation	Quantity
2	<a href="#">VT0000625</a>	Motorized trolley	Galet spécial - Longueur tambour C Special wheel - Hoist drum length C	1
2	<a href="#">VT1309L002</a>	Motorized trolley	Galet standard - Longueur tambour A Standard wheel - Hoist drum length A	1
2	<a href="#">VT1309L009</a>	Motorized trolley	Galet standard - Longueur tambour C Standard wheel - Hoist drum length C	1
3	<a href="#">VT1109L001</a>	Plate		2
4	<a href="#">VT1309L003</a>	Part support		2
5	<a href="#">VT0000619</a>	Driving wheel	Patent track wheels for trolley	2
6	<a href="#">VT0002005</a>	Driving wheel	Seulement D 80 mm - Galet standard Only D 80 mm - Standard wheel	2
6	<a href="#">VT1109L002</a>	Driving wheel	Seulement D 80 mm - Galet standard Only D 80 mm - Standard wheel	2
6	<a href="#">VT0002831</a>	Travel wheel; Driving	Patent track wheels for trolley	1
7 & 16	<a href="#">VT1109LN01</a>	Bearing; Ball bearing		4
8	<a href="#">VT1109LN02</a>	Protective travel wheel cover		1
9	<a href="#">VT1109LN03</a>	Cap		1
10	<a href="#">VT1109L003</a>	Lifting eye		4
11	<a href="#">VT1109LN04</a>	Buffer		4
12	<a href="#">VT1309L005</a>	Rods fixing set		1
13	<a href="#">VT0000626</a>	Side plate (free) module	Galet spécial - Longueur tambour A Special wheel - Hoist drum length A	1
13	<a href="#">VT0000627</a>	Side plate (free) module	Galet spécial - Longueur tambour C Special wheel - Hoist drum length C	1
13	<a href="#">VT1309L006</a>	Side plate (free) module	Galet standard - Longueur tambour A - HPR Standard wheel - Hoist drum length A - LHT	1
13	<a href="#">VT1309L010</a>	Side plate (free) module	Galet standard - Longueur tambour C - HPR Standard wheel - Hoist drum length C - LHT	1
14	<a href="#">VT0000622</a>	Complete travel wheel idler	Galet spécial / Special wheel - Patent track wheels for trolley	1
15	<a href="#">VT0002006</a>	Complete travel wheel	Galet spécial / Special wheel - Patent track wheels for trolley	1
15	<a href="#">VT1109L004</a>	Complete travel wheel	Galet standard / Standard wheel	1
17	<a href="#">VT1109L006</a>	Tie bolt	Largeur de fer / Iron width : 421 to 940	2
17	<a href="#">VT1109L005</a>	Tie bolt	Largeur de fer / Iron width <= 420	2
18	<a href="#">VT1109L007</a>	Fixing module	Longueur tambour / Hoist drum length C	1

## 9.2) Old N trolley / NHT



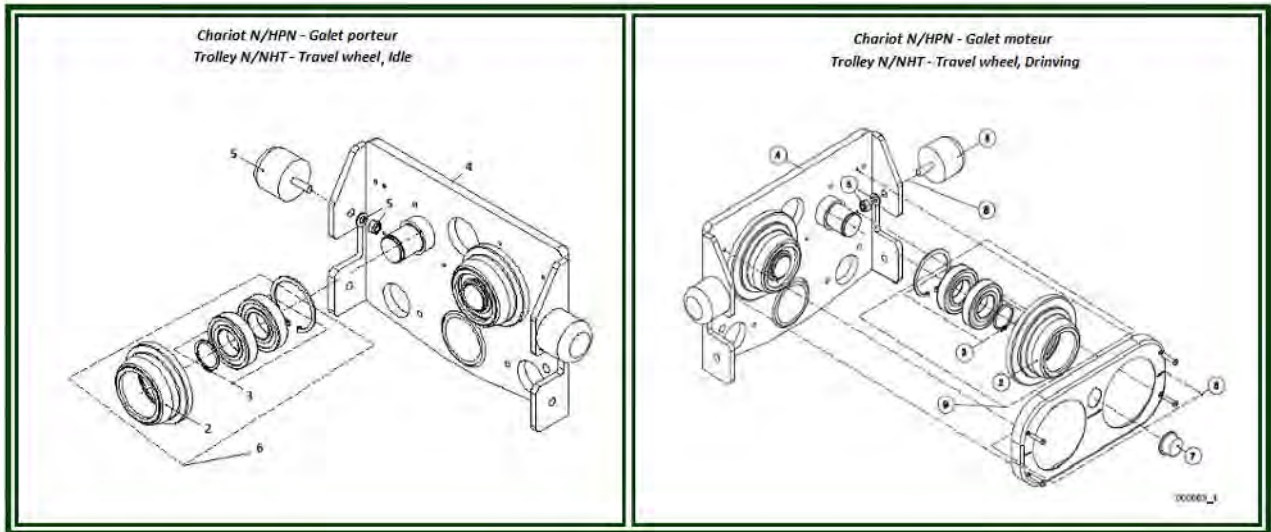
item	reference	description	observation	Quantity
1	<a href="#">VT0000666</a>	Motor side plate	Galet spécial / Special wheel	1
1	<a href="#">VT0000047</a>	Motor side plate	Galet standard / Standard wheel	1
2	<a href="#">VT0000667</a>	Side plate	Galet spécial / Special wheel	1
2	<a href="#">VT0000044</a>	Side plate	Galet standard / Standard wheel	1
3	<a href="#">VT0002818</a>	Screw rod	Largeur de fer / Iron width : 201-330	2
3	<a href="#">VT0002819</a>	Screw rod	Largeur de fer / Iron width : 331-450	2
3	<a href="#">VT0002817</a>	Screw rod	Largeur de fer / Iron width : <= 200	2
4	<a href="#">VT0000052</a>	Fixing set		1
5	<a href="#">VT0000054</a>	Set tie bolt	Ø 70 - Largeur de fer / Iron width : 201-330	1
5	<a href="#">VT0000056</a>	Set tie bolt	Ø 70 - Largeur de fer / Iron width : 331-450	1
5	<a href="#">VT0000053</a>	Set tie bolt	Ø 70 - Largeur de fer / Iron width : <= 200	1
6	<a href="#">VT0000059</a>	Set tie bolt	Ø 50 - Largeur de fer / Iron width : 201-330	1
6	<a href="#">VT0000060</a>	Set tie bolt	Ø 50 - Largeur de fer / Iron width : 331-450	1
6	<a href="#">VT0000057</a>	Set tie bolt	Ø 50 - Largeur de fer / Iron width : <= 200	1
7	<a href="#">VT0000062</a>	Fixing plate		1
8	<a href="#">VT0000065</a>	Frame	Longueur tambour / Hoist drum length A	1
8	<a href="#">VT0000063</a>	Frame	Longueur tambour / Hoist drum length C	1
9	<a href="#">VT0000066</a>	Fixing set		1

### 9.3) N Trolley / NHT - After november 2007

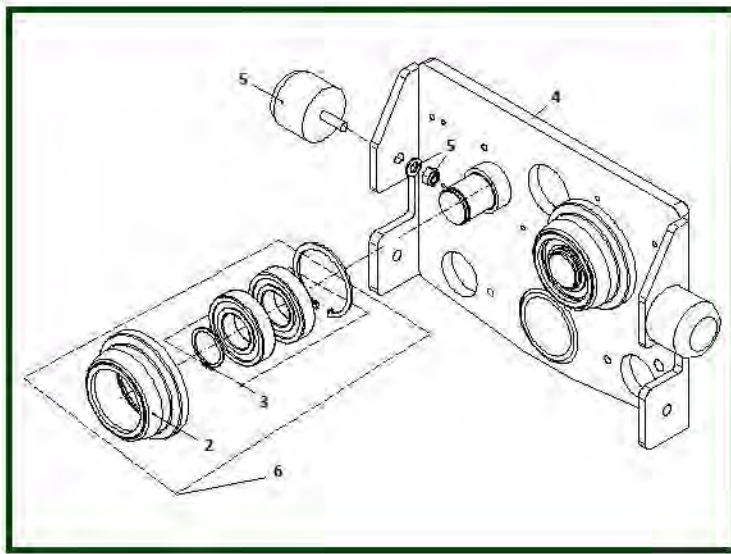


item	reference	description	observation	Quantity
1	<a href="#">VT0000666</a>	Motor side plate	Galet spécial / Special wheel	1
1	<a href="#">VT0000047</a>	Motor side plate	Galet standard / Standard wheel	1
2	<a href="#">VT0000667</a>	Side plate	Galet spécial / Special wheel	1
2	<a href="#">VT0000044</a>	Side plate	Galet standard / Standard wheel	1
3	<a href="#">52369475</a>	Shaft set	201-330	1
3	<a href="#">52369477</a>	Shaft set	331-450	1
3	<a href="#">52369474</a>	Shaft set	<= 200	1
5	<a href="#">VT0000054</a>	Set tie bolt	Ø 70 - Largeur de fer / Iron width : 201-330	1
5	<a href="#">VT0000056</a>	Set tie bolt	Ø 70 - Largeur de fer / Iron width : 331-450	1
5	<a href="#">VT0000053</a>	Set tie bolt	Ø 70 - Largeur de fer / Iron width : <= 200	1
6	<a href="#">VT0000062</a>	Fixing plate		1
7	<a href="#">VT0000065</a>	Frame	Longueur tambour / Hoist drum length A	1
7	<a href="#">VT0000063</a>	Frame	Longueur tambour / Hoist drum length C	1
8	<a href="#">VT0000066</a>	Fixing set		1
9	<a href="#">VT0000059</a>	Set tie bolt	Ø 50 - Largeur de fer / Iron width : 201-330	1
9	<a href="#">VT0000060</a>	Set tie bolt	Ø 50 - Largeur de fer / Iron width : 331-450	1
9	<a href="#">VT0000057</a>	Set tie bolt	Ø 50 - Largeur de fer / Iron width : <= 200	1

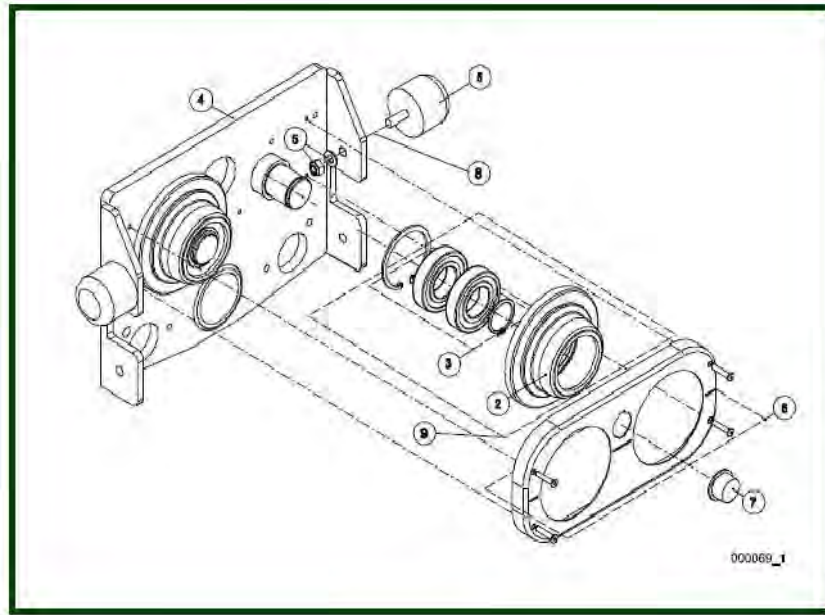
## 10) Trolley - Side plate



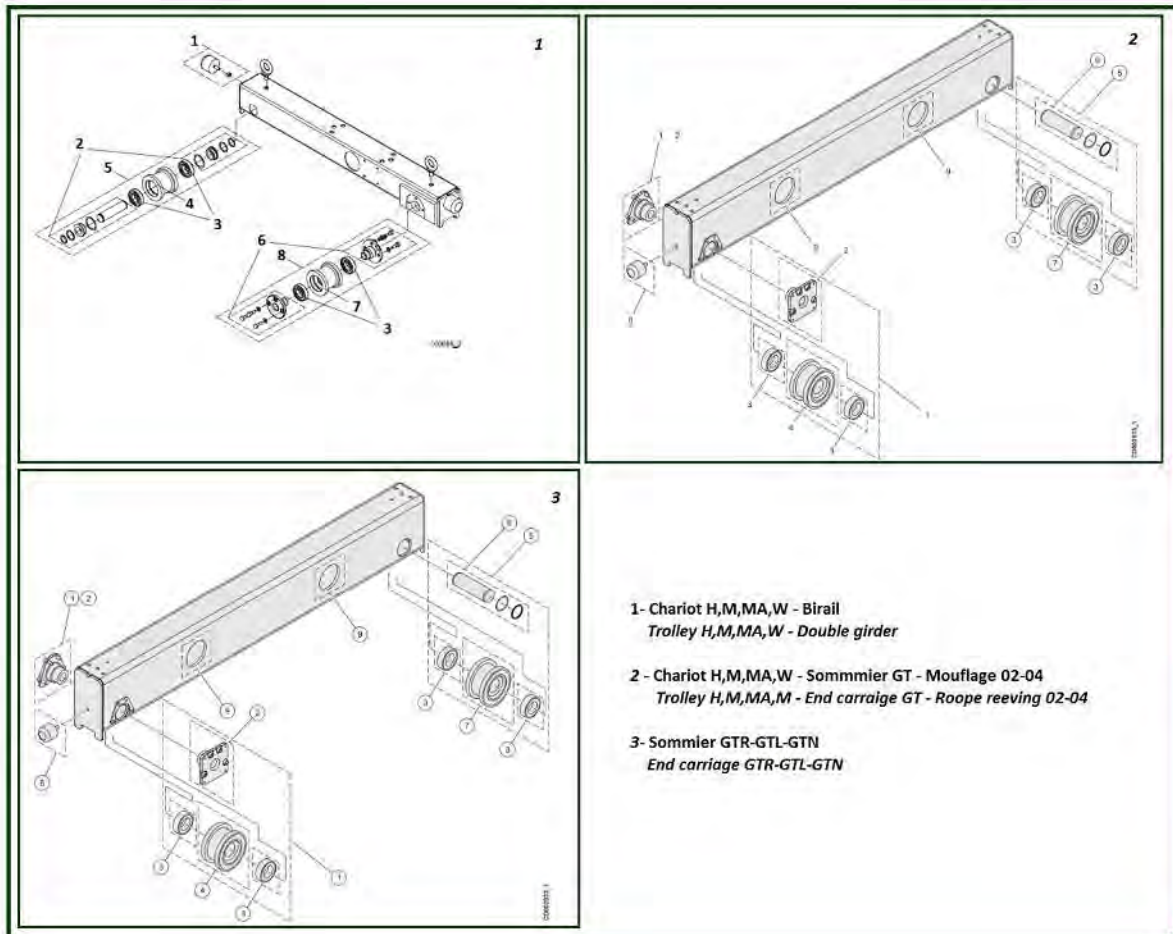
## 10.1) N Trolley / NHT - Travel wheel idle



## 10.2) N trolley / NHT - Wheel set driving

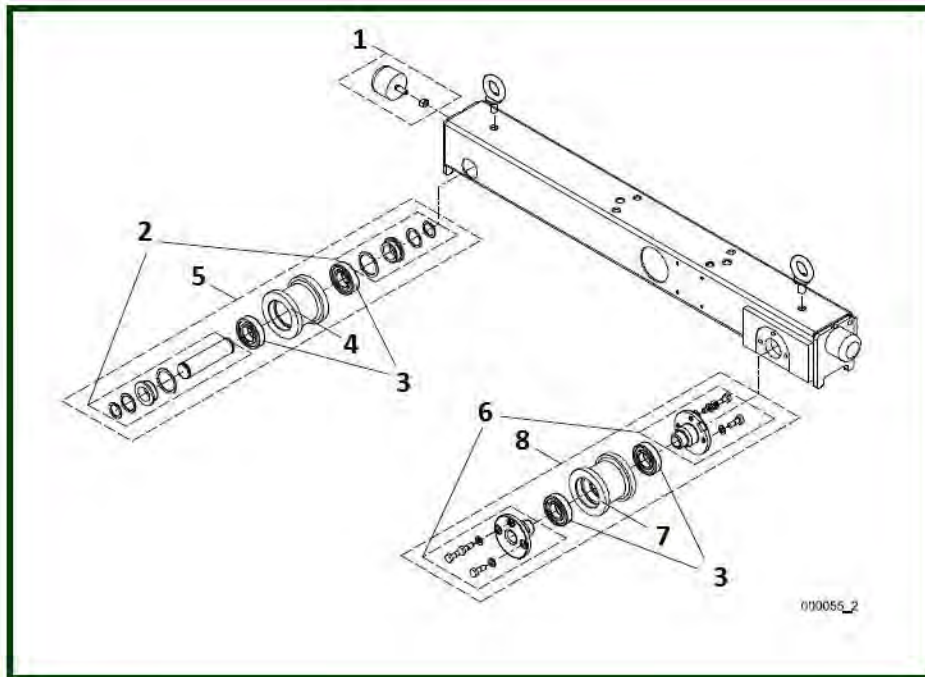


## 11) Trolley, end carriage



## 11.1) H,M,MA,W Trolley - Double girder

Jusqu'à / To H0315167

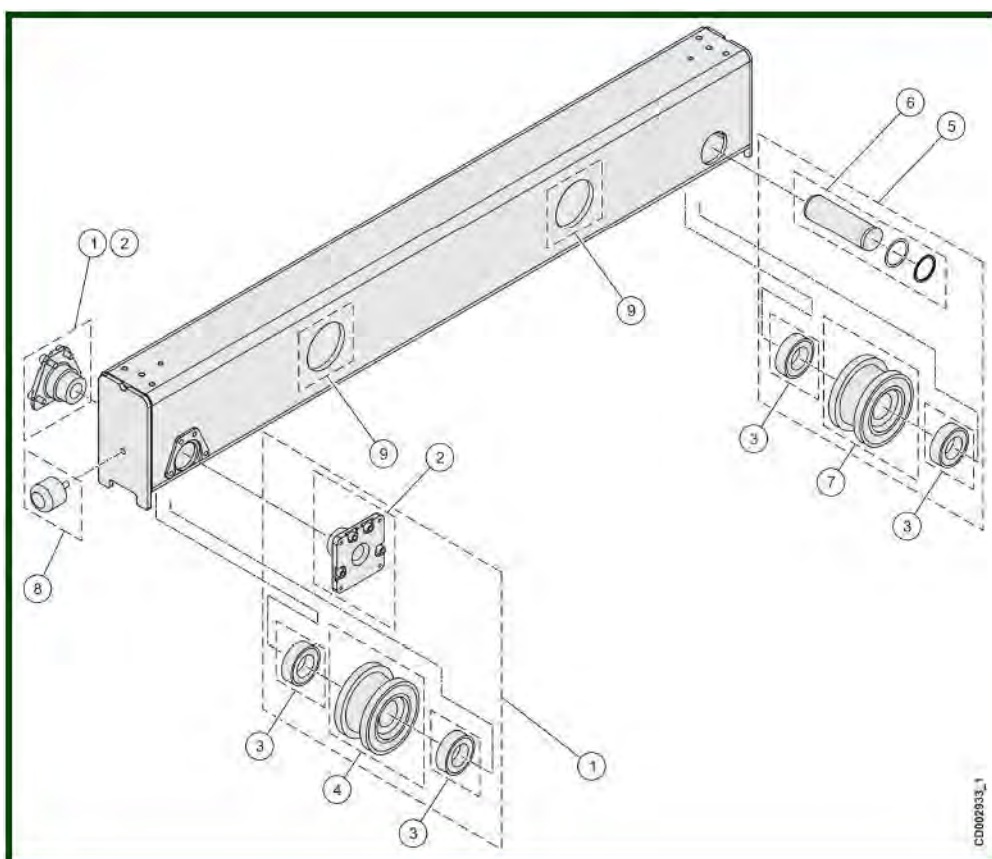


item	reference	description	observation	Quantity
1	<a href="#">VT1110D006</a>	Buffer		2
2	<a href="#">VT1310D003</a>	Sleeve set		1
3	<a href="#">VT1110D007</a>	Bearing		4
4	<a href="#">VT0000739</a>	Travel wheel, Idle	G50	1
4	<a href="#">VT0000740</a>	Travel wheel, Idle	G55	1
4	<a href="#">VT0000741</a>	Travel wheel, Idle	G60	1
4	<a href="#">VT1110D008</a>	Travel wheel, Idle	G65	1
4	<a href="#">VT0000742</a>	Travel wheel, Idle	G70	1
5	<a href="#">VT0000733</a>	Travel wheel, Idle	G50	1
5	<a href="#">VT0000732</a>	Travel wheel, Idle	G55	1
5	<a href="#">VT0002008</a>	Travel wheel, Idle	G60	1
5	<a href="#">VT0002007</a>	Travel wheel, Idle	G65	1
5	<a href="#">VT0000730</a>	Travel wheel, Idle	G70	1
6	<a href="#">VT1110D010</a>	End plate		1
7	<a href="#">VT0000743</a>	Travel wheel, Driving	G50	1
7	<a href="#">VT0000744</a>	Travel wheel, Driving	G55	1
7	<a href="#">VT0000745</a>	Travel wheel, Driving	G60	1
7	<a href="#">VT1110D011</a>	Travel wheel, Driving	G65	1
7	<a href="#">VT0000746</a>	Travel wheel, Driving	G70	1
8	<a href="#">VT0000735</a>	Wheel set, Driving	G50	1
8	<a href="#">VT0000736</a>	Wheel set, Driving	G55	1
8	<a href="#">VT0000737</a>	Wheel set, Driving	G60	1
8	<a href="#">VT0000734</a>	Wheel set, Driving	G65	1
8	<a href="#">VT0000738</a>	Wheel set, Driving	G70	1



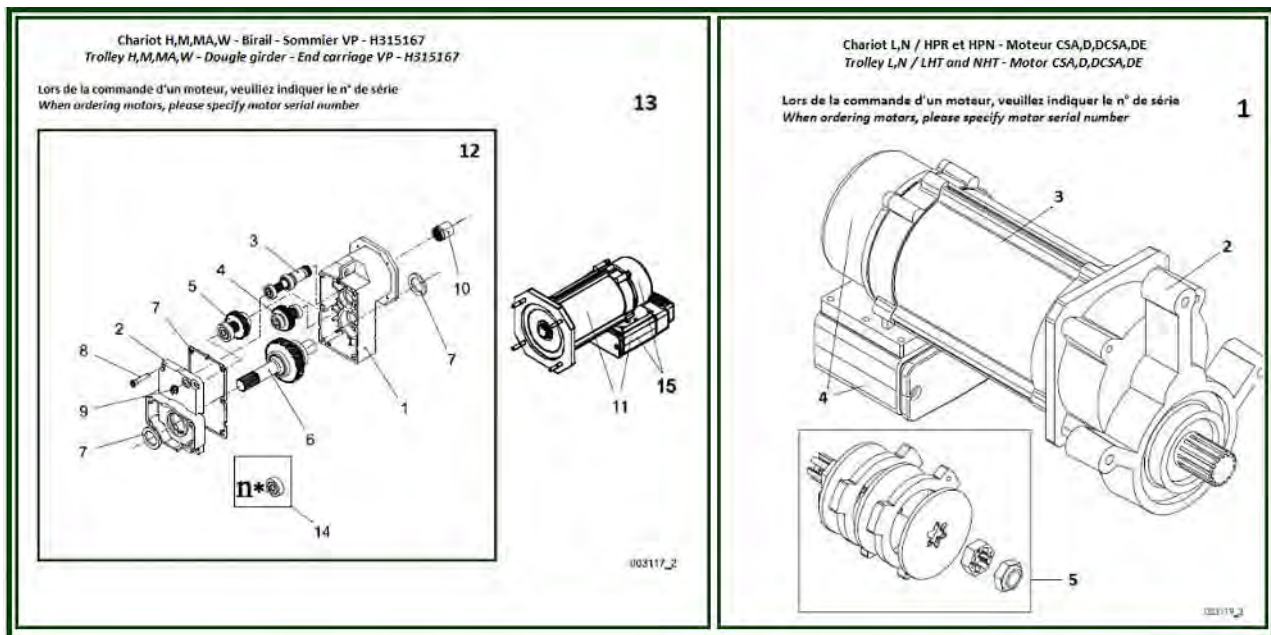


### 11.3) End carriage GTR-GTL-GTN



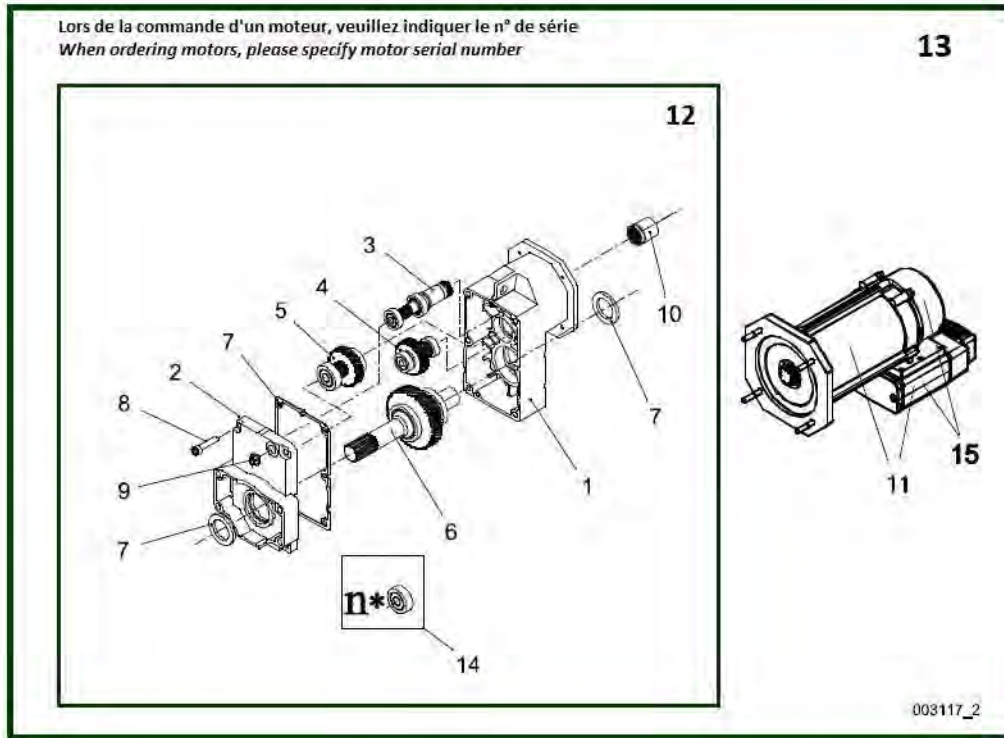
item	reference	description	observation	Quantity
1	<u>VT0003909</u>	Wheel set; Driving	G70	1
2	<u>VT0005003</u>	Bearing housing		1
4	<u>VT0003791</u>	Travel wheel; Driving	G50	1
4	<u>VT0003792</u>	Travel wheel; Driving	G55	1
4	<u>VT0003793</u>	Travel wheel; Driving	G60	1
4	<u>VT0003795</u>	Travel wheel; Driving	G70	1
5	<u>VT0003910</u>	Wheel set; Idle	G70	1
6	<u>VT0003796</u>	Shaft set		1
7	<u>VT0003794</u>	Travel wheel; Idle	G50	1
7	<u>VT0003787</u>	Travel wheel; Idle	G55	1
7	<u>VT0003788</u>	Travel wheel; Idle	G60	1
7	<u>VT0003789</u>	Travel wheel; Idle	G65	1
7	<u>VT0003790</u>	Travel wheel; Idle	G70	1
8	<u>VT0001730</u>	Buffer	100x85-12x30 - D2241 - C - Sommier / End carriage GT A partir / From H0315168	2
8	<u>VT0004003</u>	Polyurethane buffer	80x80	2
8	<u>VT0001722</u>	Polyurethane buffer	100x100-12x40 E - Sommier / End carriage GT	2
8	<u>VT0001723</u>	Polyurethane buffer	100x150-12x40 E - Sommier / End carriage GT	2

## 12) Travelling machinery



## 12.1) H,M,MA,W Trolley / Double girder with end truck VP - H315167

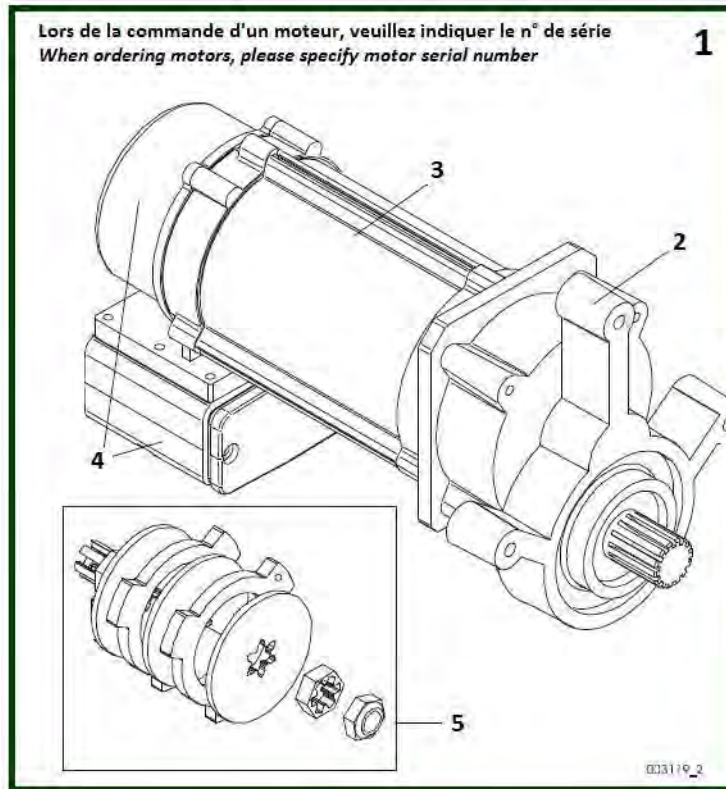
Avant / Before 2002



item	reference	description	observation	Quantity
1	<a href="#">VT1112D001</a>	Gear housing		1
2	<a href="#">VT1112D002</a>	Gear box		1
3	<a href="#">VT1312D001</a>	Shaft assembly	GS240-363/GS340-363/GS440-450, without flywheel	1
4	<a href="#">VT1312D002</a>	Shaft assembly	GS240/340/440	1
5	<a href="#">VT1312D003</a>	Gear axle	GS240/340/440	1
6	<a href="#">VT0000081</a>	Shaft assembly	GS240-GS263, secondary shaft D	1
7	<a href="#">VT1112D003</a>	Sealings set		1
8	<a href="#">VT1112D004</a>	Screw	DIN912-M8X50-A3G	1
9	<a href="#">VT1112D005</a>	Oil window		1
10	<a href="#">VT11030001</a>	Coupling sleeve		1
11	<a href="#">NC MOT</a>	Motor	Lors de la commande d'un moteur, veuillez indiquer le n° de série When ordering motors, please specify motor serial number	1
12	<a href="#">VT1312D004</a>	Gear reducer	GS240 RPD	1
13	<a href="#">VT1412D301</a>	Travelling machinery	3000 tr/min - GS240RF06MA200PD	1
13	<a href="#">VT1412D461</a>	Travelling machinery	4680 tr/min - GS240RF06MA100PD	1
14	<a href="#">VT0000423</a>	Bearing set	(VT0000438)	1
15	<a href="#">VT0000728</a>	Junction box	MF06	1

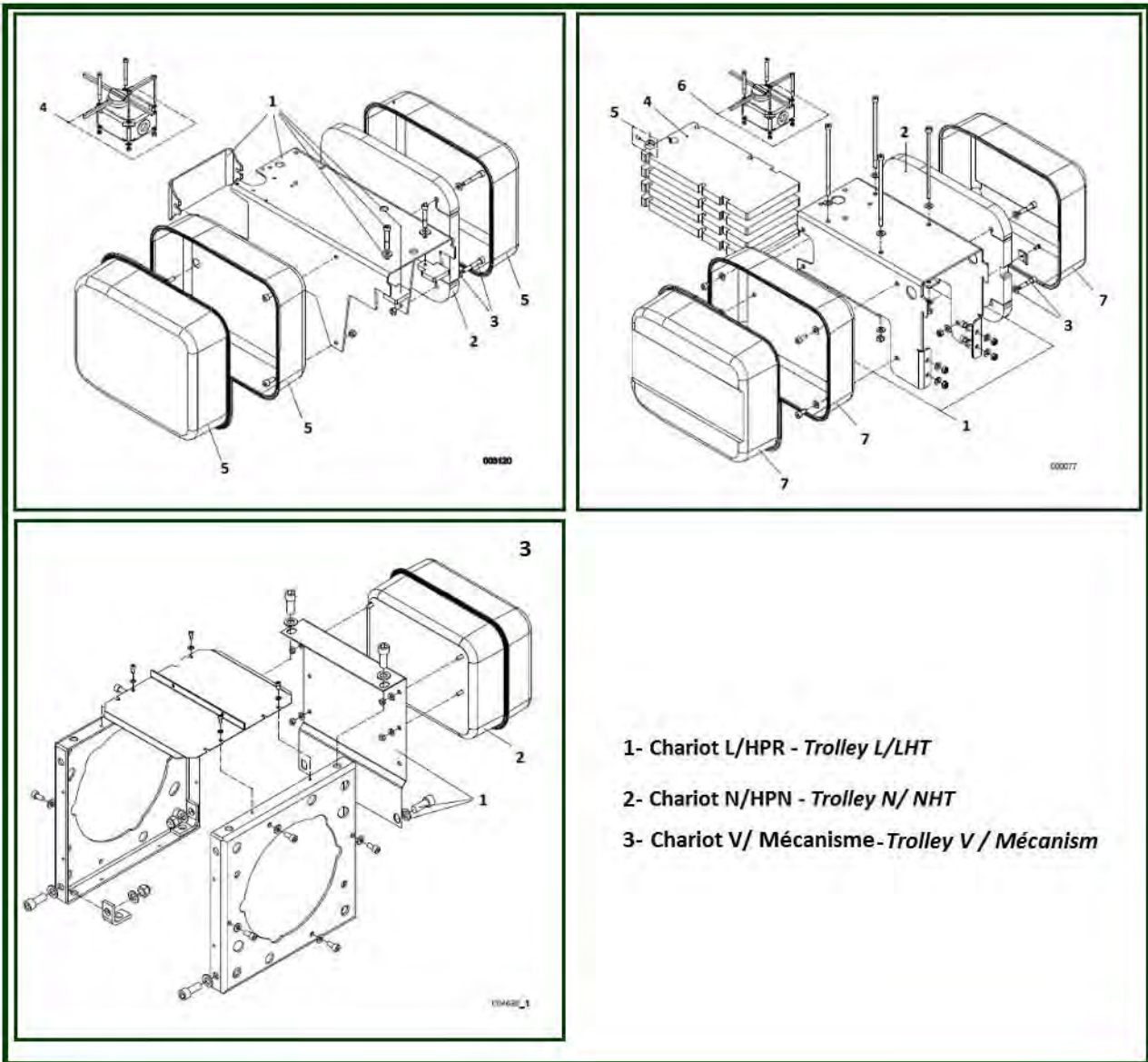
## 12.2) CSA,D,DCSA,DE Motor - J,L,N Trolley/ LHT and NHT

Depuis / From H315168

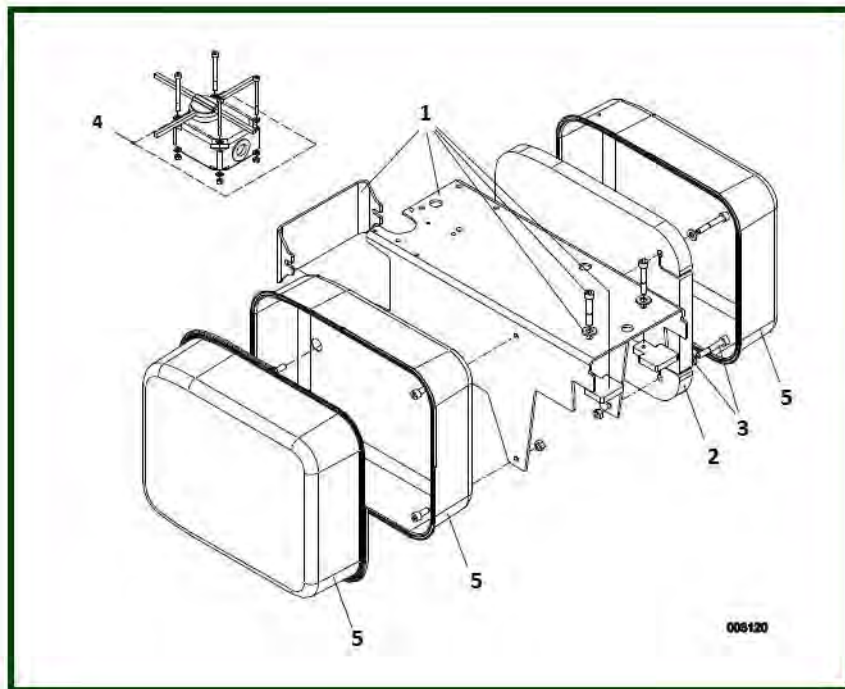


item	reference	description	observation	Quantity
1	<u>VT1412LN21</u>	Travelling machinery	20 m/mn	1
1	<u>VT1412LN31</u>	Travelling machinery	25-32 m / mn	1
2	<u>VT1112LN01</u>	Gear	Chariot / Trolley J,L,N - GEK1	1
3	<u>NC MOT</u>	Motor	Lors de la commande d'un moteur, veuillez indiquer le n° de série When ordering motors, please specify motor serial number	1
4	<u>VT0000728</u>	Junction box	MF06	1
4	<u>VT0001563</u>	Motor cover		1
4	<u>VT0001564</u>	Terminal box	GES/MF07X	1
4	<u>VT0003186</u>	Terminal box	MF06	1
-	<u>VT0001548</u>	Brake repairing set	MF 06	1

## 13) Electric panel

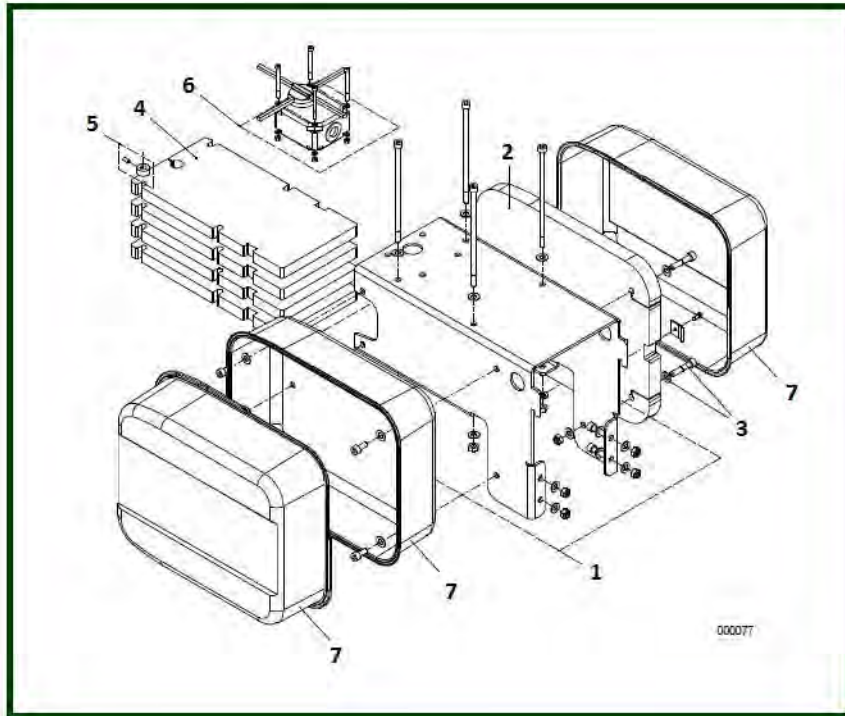


### 13.1) L Trolley / LHT



item	reference	description	observation	Quantity
1	<u>VT0000381</u>	Support piece	SP-QA-L-R/V	1
2	<u>VT0000231</u>	Counterweight	220V 230V, 490V 690V-007F/022F-T2-T	1
2	<u>VT0000230</u>	Counterweight	HPR - 380V 480V-007F-T2-P	1
3	<u>VT0000714</u>	Screw set		1
4	<u>VT0000160</u>	Limit switch	2 seuils / 2 steps	1
4	<u>VT1413L002</u>	Limit switch	HPN - 1 seuil / 1 step	1

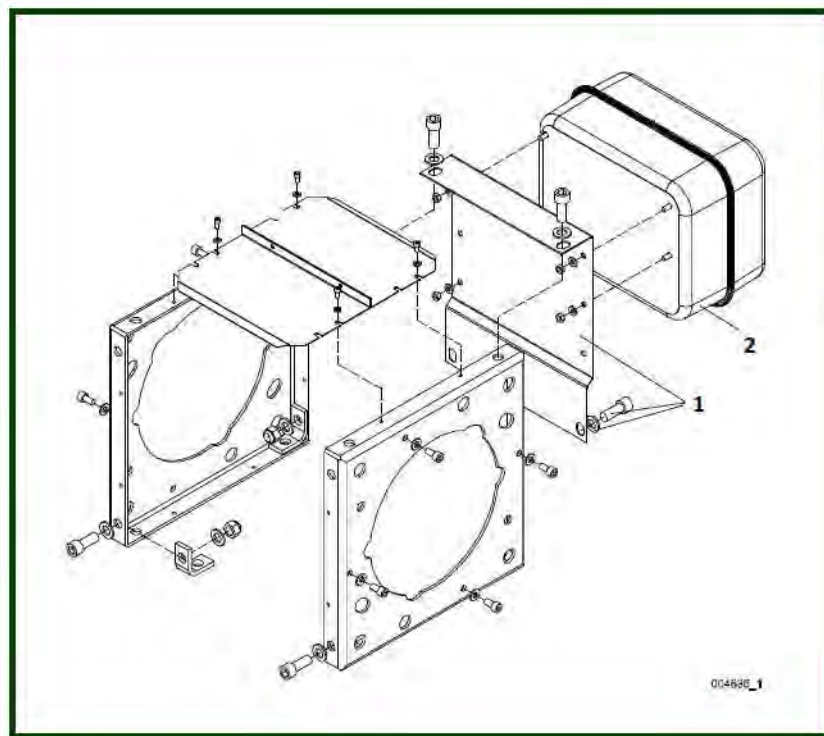
## 13.2) N Trolley / NHT



item	reference	description	observation	Quantity
1	<a href="#">VT0000712</a>	Support		1
2	<a href="#">VT0000230</a>	Counterweight	HPR - 380V 480V-007F-T2-P	1
3	<a href="#">VT0000715</a>	Screw set		1
4	<a href="#">VT0001861</a>	Counterweight		1
5	<a href="#">VT0000718</a>	Locking set		1
6	<a href="#">VT0000160</a>	Limit switch	2 seuils / 2 steps	1
6	<a href="#">VT1413L002</a>	Limit switch	HPN - 1 seuil / 1 step	1



### 13.3) V Trolley / Machinery



item	reference	description	observation	Quantity
1	<u>VT0000903</u>	Support	Longueur tambour / Hoist drum length A	1
1	<u>VT0000904</u>	Support	Longueur tambour / Hoist drum length C	1