

## Spare Parts - VS5-XS5

To avoid errors, when ordering please specify:

- Complete type of hoist
- Date of manufacture and serial number
- Spare part code
- Spare part designation
- Additional information



- 0) VS HOIST CODIFICATION
  - 1) COVERS
    - 1.1) Covers -VS5
    - 1.2) Covers - XS5
  - 2) FRAME
- 3) FRAME FM AND NHT VS506
- 4) ROPE DRUM
- 5) GEAR
- 6) ROPE ENCHORAGE SUSPENSION - 2 FALLS FM AND NHT
- 7) ROPE SHEAVE UNIT - 4 FALLS FM AND NHT
- 8) ROPE SHEAVE UNIT - 4/2 FM AND NHT
- 9) OVERLOAD LIMITOR - FROM THE APRIL 1999
- 10) OLD LOAD LIMITOR ASSEMBLING - BEFORE APRIL 1999
- 11) NEW LOAD LIMITOR ASSEMBLING - FROM THE APRIL 1999
- 12) RETURN PULLEY SUBASSEMBLY AND FIXED POINT
- 13) LIFTING HOOKBLOCK - 2 FALLS
- 14) LIFTING HOOKBLOCK - 4 FALLS
- 15) LIFTING HOOKBLOCK - 4/2 ROPED
- 16) LIFTING HOOKBLOCK - 6/1 FALLS
- 17) NORMAL HEADROOM TROLLEY (NHT)
- 18) SWIVELLING TROLLEY (NHT)
  - 18.1) Other
- 19) NORMAL HEADROOM TROLLEY - NHT
- 20) DOUBLE GIRDER TROLLEY PARALEL
- 21) COMPLETE TRAVEL WHEEL AND DRIVING < 16T
- 22) COMPLETE TRAVEL WHEEL AND DRIVING > 16T
- 23) PARALEL DOUBLE GIRDER TROLLEY - 6 FALLS
- 24) BIRAIL WHEEL AND SHAFT SET
- 25) DOUBLE GIRDER TROLLEY PERPENDICULAR
- 26) MOTORGARBOX FOR MONORAIL HOIST
  - 26.1) Before april 1999
  - 26.2) After april 1999
- 27) MOTORGARBOX FOR BIRAIL HOIST
  - 27.1) Before april 1999
  - 27.2) After april 1999
- 28) ELECTRICAL PARTS
- 29) MOUNTING AND CHOOSING THE CAME SELECTOR

## 0) VS hoist codification

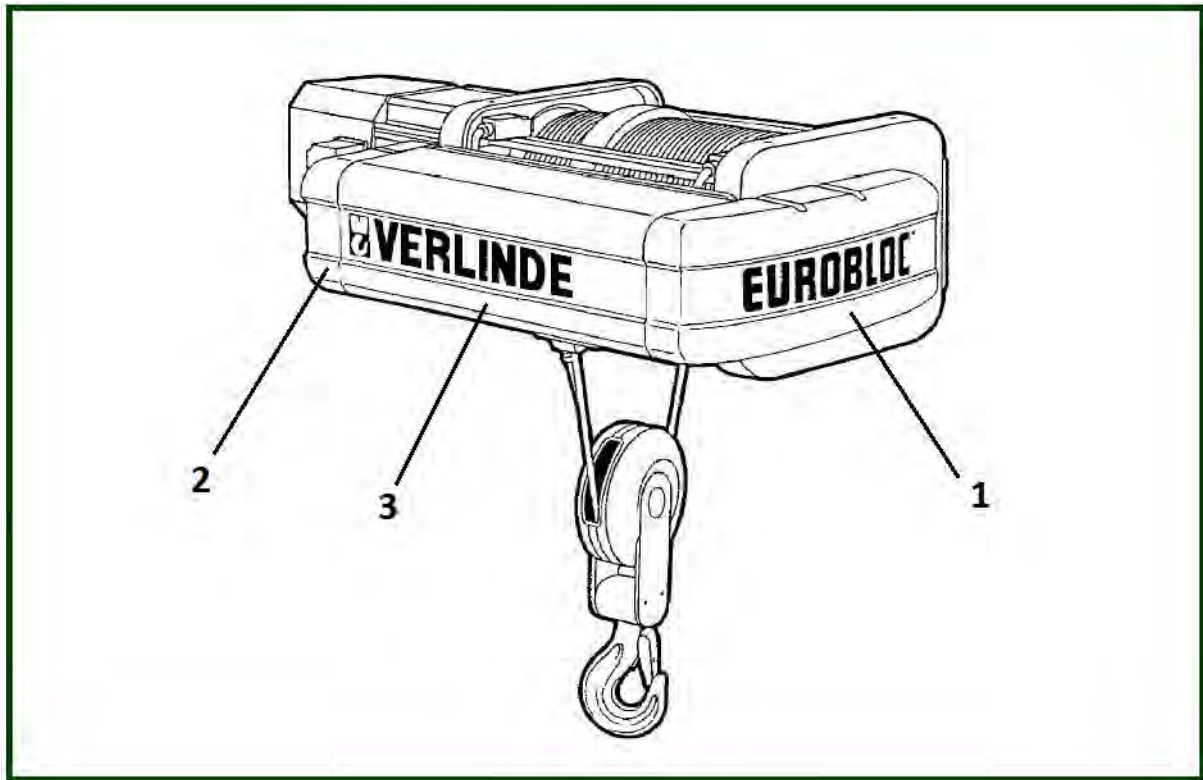
ABREVIATIONS				ABREVIATIONS				
(Palan) Fixe				F	Foot Mounted hoist			FM
Chariot à Hauteur Perdue Normale				HPN	Normal Headroom Trolley			NHT
Chariot à Hauteur Perdue Réduite				HPR	Low Headroom Trolley			LHT

CODIFICATION DES PALANS VS / VS HOIST CODIFICATION														
PALAN VS														
TAILLE DU CHASSIS														
VS	1													
		1, 2, 3, 4, 5, 6												
		04 1 1	MOUFLAGE	Nombre de brins / Sorties de câbles au tambour / Nombre de « crochets »										
			5	GROUPE ISO	4 = 1Am	5 = 2m	6 = 3m	7 = 4m	X = Spécial					
				R 20	CHARIOT(*) / LARGEUR DE FER (**)									
					<ul style="list-style-type: none"> <li>• (*) R = HPR</li> <li>• N = HPN</li> <li>• P = Birail parallèle</li> <li>• C = Birail perpendiculaire</li> <li>• F = Fixe posé</li> <li>• X = Spécial</li> </ul>				<ul style="list-style-type: none"> <li>• (**) = Monorail</li> <li>• 10 = 80...100</li> <li>• 15 = 100...150</li> <li>• 20 = 151...250</li> <li>• 25 = 201...250</li> <li>• 30 = 251...300</li> <li>• 35 = 301...350</li> <li>• 40 = 351...400</li> <li>• 45 = 401...450</li> </ul>				<ul style="list-style-type: none"> <li>• /• Birail</li> <li>• 09 = 900</li> <li>• 14 = 1400</li> <li>• 17 = 1700</li> <li>• 20 = 2000</li> <li>• 24 = 2400</li> <li>• 27 = 2700</li> <li>• 31 = 3100</li> </ul>	
				A	LONGUEUR DE CHASSIS / HAUTEUR DE LEVAGE									
					A, B, C, D, E, F, G, H, J, K, L, M, N									
VS	1	04 1 1	5	R 20	A	N	N1	23 5	SE 5	+	25	N		
REDUCTEUR / VITESSE														
L = Lent    N = Normal    R = Rapide    X = Spécial														
MOTEUR														
N (1, 2, 3, 4, 5) = 2 vitesses														
H (2, 3, 4) = Service lourd														
F (3, 4, 5, 6) = Variation de vitesse														
X = Spécial														
(1 = 1,9 kW, 2 = 3,5 kW, 3 = 7,5 kW, 4 = 15 kW, 5 = 30 kW)														
TENSION D'ALIMENTATION								23 5						
23 5 = 230V / 50 Hz														
40 5 = 400V / 50 Hz														
41 5 = 415V / 50 Hz														
EQUIPEMENT ELECTRIQUE									SE 5					
S = Palan solo														
K = Palan pour kit														
C = Classic														
E = Europe														
H = Hi-tronic														
4 = IP 54														
5 = IP 55														
X = Spécial														
LIMITEUR DE CHARGE										+				
L = Limiteur seul														
M = Monitor														
+ = Limiteur + monitor														
DIRECTION											25			
16 = 16/4														
20 = 20/5														
25 = 25/6,3														
NO = Non														
CH = Chaîne														
XX = Spécial														
CONCEPTION SPECIALE												N		
N = Non														
M = Mécanique														
E = Electrique														
D = Divers														

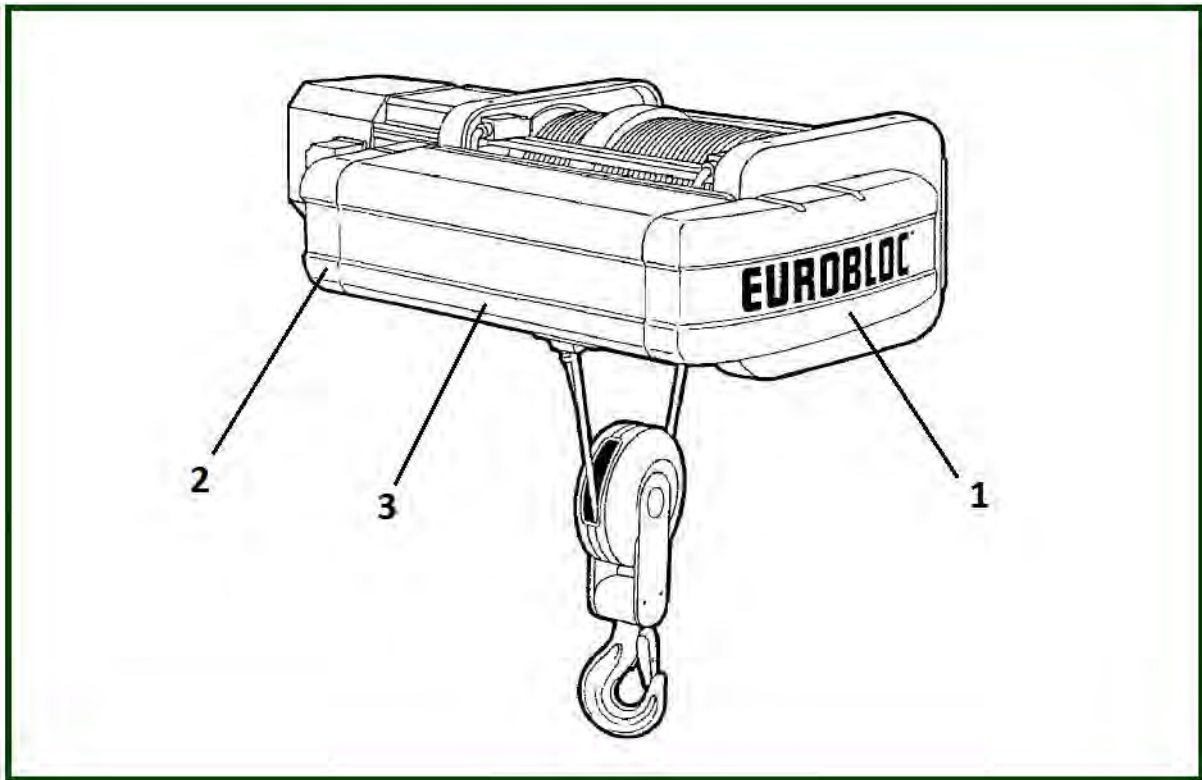
# 1) Covers

## 1.1) Covers -VS5



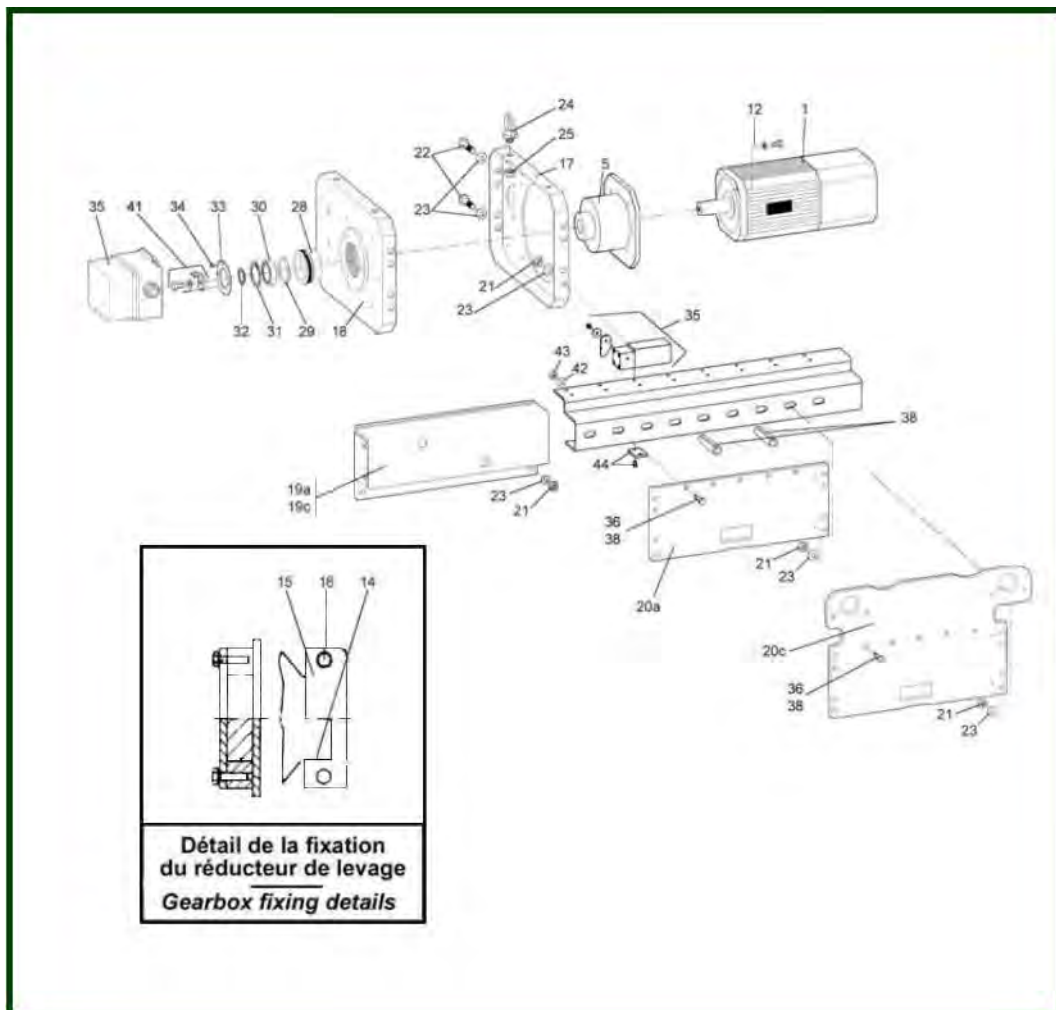
item	reference	description	observation	Quantity
1	<a href="#">1155021</a>	Cover		1
2	<a href="#">1155023</a>	Cover - Motor side		1
3	<a href="#">830924</a>	CHC screw 6x12		8
3	<a href="#">1155034</a>	Cubicle extension	Longueur de chassis E Length of the frame E	1
3	<a href="#">VS5F015A</a>	Cubicle extension	Longueur de chassis F Length of the frame F	1
3	<a href="#">VS5G015A</a>	Cubicle extension	Longueur de chassis G Length of the frame G	1
3	<a href="#">VS5H015A</a>	Cubicle extension	VS506 Longueur de chassis H Length of the frame H	1
3	<a href="#">1145130</a>	Electric cubicle	Longueur de chassis D-E-F-G Length of the frame D-E-F-G	1
3	<a href="#">1155030</a>	Electric cubicle	Longueur de chassis F Length of the frame F	1
3	<a href="#">7231061Z</a>	Flat washer (6)		1

## 1.2) Covers - XS5



item	reference	description	observation	Quantity
1	<u>S4FAB03B</u>	Opposite motor side cover	Longueur de chassis B et D Length of the frame B and D	1
2	<u>S4FAB01B</u>	Side cover	Longueur de chassis D Length of the frame D	1
2	<u>S5FAE01B</u>	Side cover	Longueur de chassis E Length of the frame E	1
2	<u>S4FAF02B</u>	Side cover	Longueur de chassis F Length of the frame F	1
2	<u>S4FAG02B</u>	Side cover	Longueur de chassis G Length of the frame G	1
2	<u>S4FAH02B</u>	Side cover	Longueur de chassis H Length of the frame H	1
3	<u>NCRC</u>	Cubicle extension	Nous consulter Please, consult us	1
3	<u>NCCE</u>	Electric cubicle	Nous consulter Please, consult us	1

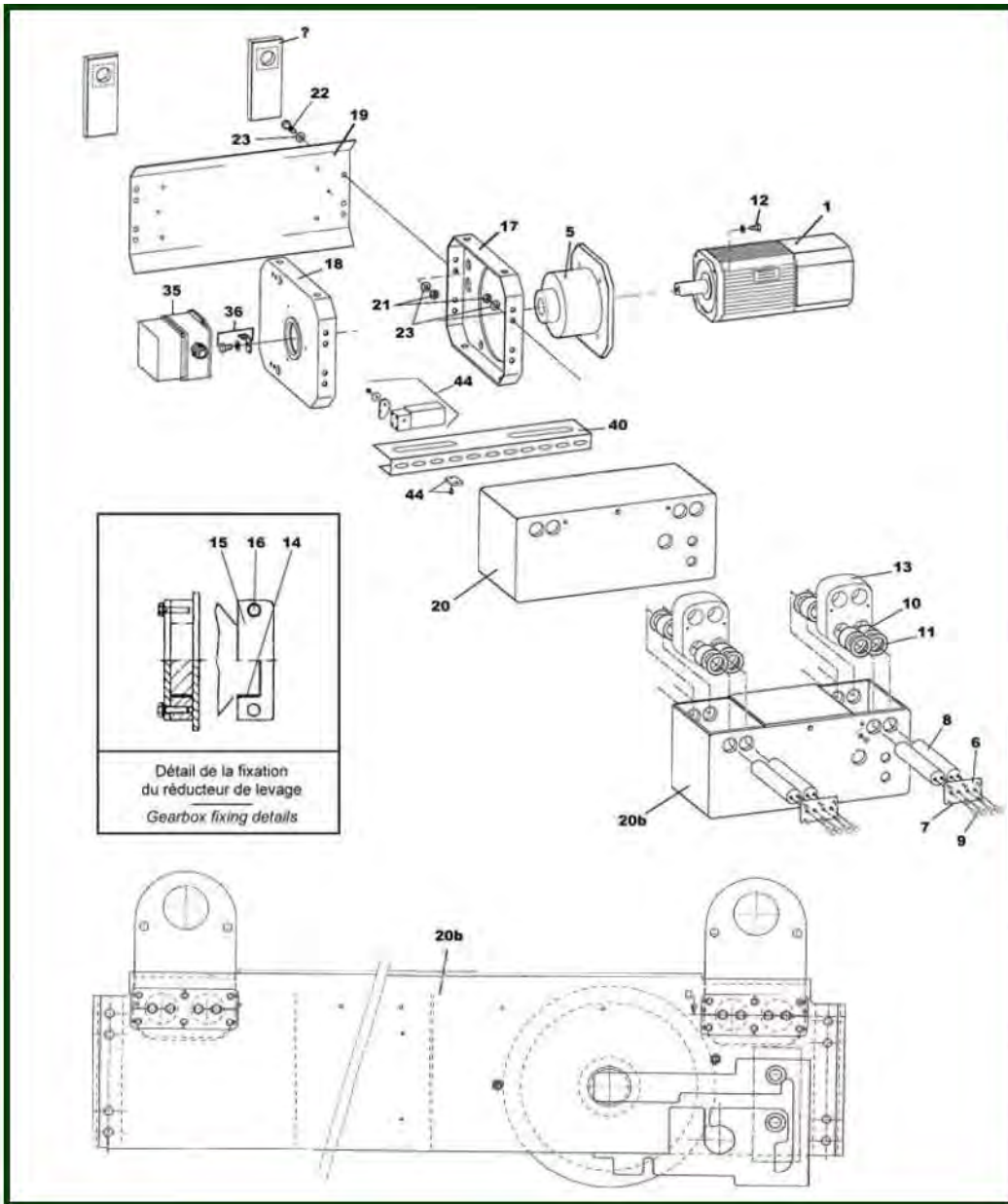
## 2) Frame



item	reference	description	observation	Quantity
1	<a href="#">1147001</a>	Complete motor 15/2,5Kw 400V/50Hz - 460V/60Hz	N4	1
1	<a href="#">1147002</a>	Complete motor 15/2,5Kw 230V/50Hz	N4	1
1	<a href="#">1147004</a>	Complete motor 15/2,5Kw 380V-50Hz/440V-60Hz	N4	1
1	<a href="#">1147003</a>	Complete motor 15/2,5Kw 415V/50Hz - 480V/60Hz	N4	1
1	<a href="#">1147005</a>	Hoising motor D4 15/2,5Kw - 400V/50Hz	Frein manuel / Manual brake	1
5	<a href="#">1157502</a>	Gear box	5G4400	1
5	<a href="#">1157503</a>	Gear box	5G5500	1
12	<a href="#">7215657F</a>	CHC screw M12 x 35	Moteur / Motor N4	4
12	<a href="#">830622</a>	CHC screw M16 x 40	Moteur / Motor N5	4
14	<a href="#">95118201</a>	Plastic cap		2
15	<a href="#">1151036</a>	Gearing fixing plate		2
16	<a href="#">830301</a>	Screw HM10X20	VS4...N3/F3 - A collar / To stick	4
17	<a href="#">1155050</a>	End plate - Opposite motor side		1
18	<a href="#">1155040</a>	End plate - Motor side		1
19a	<a href="#">1155117</a>	Fixed beam assembly	VS5...F...E	1
19a	<a href="#">1155017</a>	Fixed beam assembly	VS5...F... D	1
19c	<a href="#">1154614</a>	Side plate - NHT trolley 4/2	VS5042...F...E and VS5042...F...D	1
19c	<a href="#">1154514</a>	Side plate - NHT trolley	VS5...N...D	1
20a	<a href="#">1155111</a>	Side plate	VS5...F...E	1
20a	<a href="#">1155011</a>	Side plate	VS5...F... D	1

20c	<u>1154517</u>	Side plate - NHT trolley	VS5...N...D	1
20c	<u>1154617</u>	Side plate - NHT trolley	VS5...N...E	1
21	<u>831598</u>	Nylstop nut M18		16
22	<u>830318</u>	Screw HM 16 X 60		16
23	<u>7151642Z</u>	Washer M16		32
24	<u>1140006</u>	Lifting hook	Fixe (2) - HPN (4) - HPR (1)	4
25	<u>831521</u>	M18 nut - NHT trolley		4
28	<u>1155038</u>	Bearing housing		1
30	<u>7425120H</u>	Ball bearing - Bore 60		1
31	<u>300082</u>	Safety ring - Ø 110	2/3M	1
33	<u>1155039</u>	Locking plate		1
34	<u>830924</u>	CHC screw 6x12		4
35	<u>NCSAC</u>	Cam. Selector		1
35	<u>1113113</u>	Limit switch	Jusqu'au/up to 30/11/99	1
36	<u>7215416U</u>	CHC screw	VS5.....D/E	7
37	<u>7232080G</u>	GROWER washer - Ø 8	VS5.....D/E	7
38	<u>4751650</u>	Spring pin	VS5.....D/E - 1AM - 2M/3M	7
39	<u>831504</u>	Brake washer AZ M8	VS4....B...D - VS5.....D/E	7
40	<u>1151126</u>	Limit switch rail - Lg 1430	VS406...E et F - VS5.....E	1
40	<u>1151026</u>	Limit switch rail - Lg 765	VS406...E et F -VS5.....D	1
41	<u>1144020</u>	Driving part assy	VS4 et VS5 - Depuis / Since 01/12/99	1
49	<u>1152532</u>	Plastic sleeve		1

### 3) Frame FM and NHT VS506



item	reference	description	observation	Quantity
1	<a href="#">1147001</a>	Complete motor 15/2,5Kw 400V/50Hz - 460V/60Hz	N4	1
1	<a href="#">1147002</a>	Complete motor 15/2,5Kw 230V/50Hz	N4	1
1	<a href="#">1147004</a>	Complete motor 15/2,5Kw 380V-50Hz/440V-60Hz	N4	1
1	<a href="#">1147003</a>	Complete motor 15/2,5Kw 415V/50Hz - 480V/60Hz	N4	1
1	<a href="#">1147005</a>	Hoisting motor D4 15/2,5Kw - 400V/50Hz	Frein manuel / Manual brake	1
5	<a href="#">1157502</a>	Gear box	5G4400	1
5	<a href="#">1157503</a>	Gear box	5G5500	1
6	<a href="#">V4NAP65A</a>	Locking plate - NHT Trolley	VS506	2
7	<a href="#">830205</a>	Securing screw for brake bar HM 8 x 25		16
8	<a href="#">V4NAP64A</a>	Shaft		4
9	<a href="#">830425</a>	Screw HM 12 x 30		8
10	<a href="#">V4NAP68A</a>	Sleeve		10
11	<a href="#">8150019</a>	Washer - 68 x 55 x 1	DIN988 - VS402...R - 1AM/2M/3M	10

12	<a href="#">7215657F</a>	CHC screw M12 x 35	Moteur / Motor N4	4
12	<a href="#">830622</a>	CHC screw M16 x 40	Moteur / Motor N5	4
13	<a href="#">V4NAP60A</a>	Suspension beam for girder < 350 mm		2
13	<a href="#">V4NAP67A</a>	Suspension crossmember <500 mm	Nous consulter - Pièces à la commande / Consult us - Parts on order	2
14	<a href="#">95118201</a>	Plastic cap		2
15	<a href="#">1151036</a>	Gearing fixing plate		2
16	<a href="#">830301</a>	Screw HM10X20	VS4...N3/F3 - A collar / To stick	4
17	<a href="#">1155050</a>	End plate - Opposite motor side		1
18	<a href="#">1155040</a>	End plate - Motor side		1
19	<a href="#">V5BA11FA</a>	Side plate - 6 falls - Lg 1766	VS506...F	1
19	<a href="#">V5BA11GA</a>	Side plate - 6 falls - Lg 2066	VS506...G	1
19	<a href="#">V5BA11HA</a>	Side plate - 6 falls - Lg 2466	VS506...H	1
20	<a href="#">V5BAP6FA</a>	Load beam - 6 falls - Lg 1766	VS5...F...F	1
20b	<a href="#">V5NAP6FA</a>	Load beam - 6 falls - Lg 1766 - LHT	VS5...N...F	1
20b	<a href="#">V5NAP6GA</a>	Load beam - 6 falls - Lg 2066 - LHT	VS5...N...G	1
20b	<a href="#">V5NAP6HA</a>	Load beam - 6 falls - Lg 2466 - LHT	VS5...N...H	1
21	<a href="#">831598</a>	Nylstop nut M18		16
22	<a href="#">830918</a>	HM 16 x 60 screw		16
23	<a href="#">7151642Z</a>	Washer M16		32
24	<a href="#">1140006</a>	Lifting hook	Fixe (2) - HPN (4) - HPR (1)	4
25	<a href="#">831521</a>	M18 nut - NHT trolley		4
28	<a href="#">1155038</a>	Bearing housing		1
29	<a href="#">8150096</a>	Nylos seal		1
30	<a href="#">7425120H</a>	Ball bearing - Bore 60		1
31	<a href="#">300082</a>	Safety ring - Ø 110	2/3M	1
32	<a href="#">830868</a>	External circlip - Ø 50	VS5	1
33	<a href="#">1155039</a>	Locking plate		1
34	<a href="#">830924</a>	CHC screw 6x12		4
35	<a href="#">NC</a>	Perpendiculaire Retainer	C5	1
36	<a href="#">1144020</a>	Driving part assy	VS4 et VS5 - Depuis / Since 01/12/99	1
38	<a href="#">7232080G</a>	GROWER washer - Ø 8	VS5.....D/E	8
40	<a href="#">1151126</a>	Limit switch rail Lg 1430	VS406...E et F - VS5.....E	1
40	<a href="#">7X1A01FB</a>	Limit switch rail - Lg 1735	VS406...G	1
40	<a href="#">7X1A01GB</a>	Rope guide rail - Lg 2066	VS506...H	1

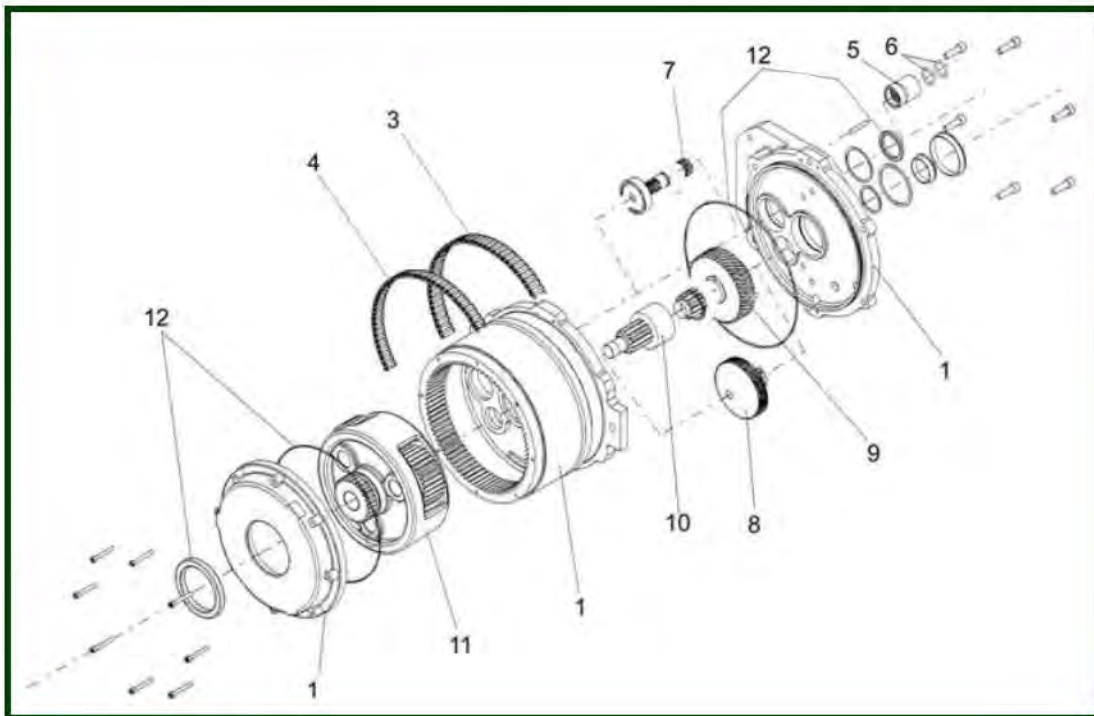


## 4) Rope drum



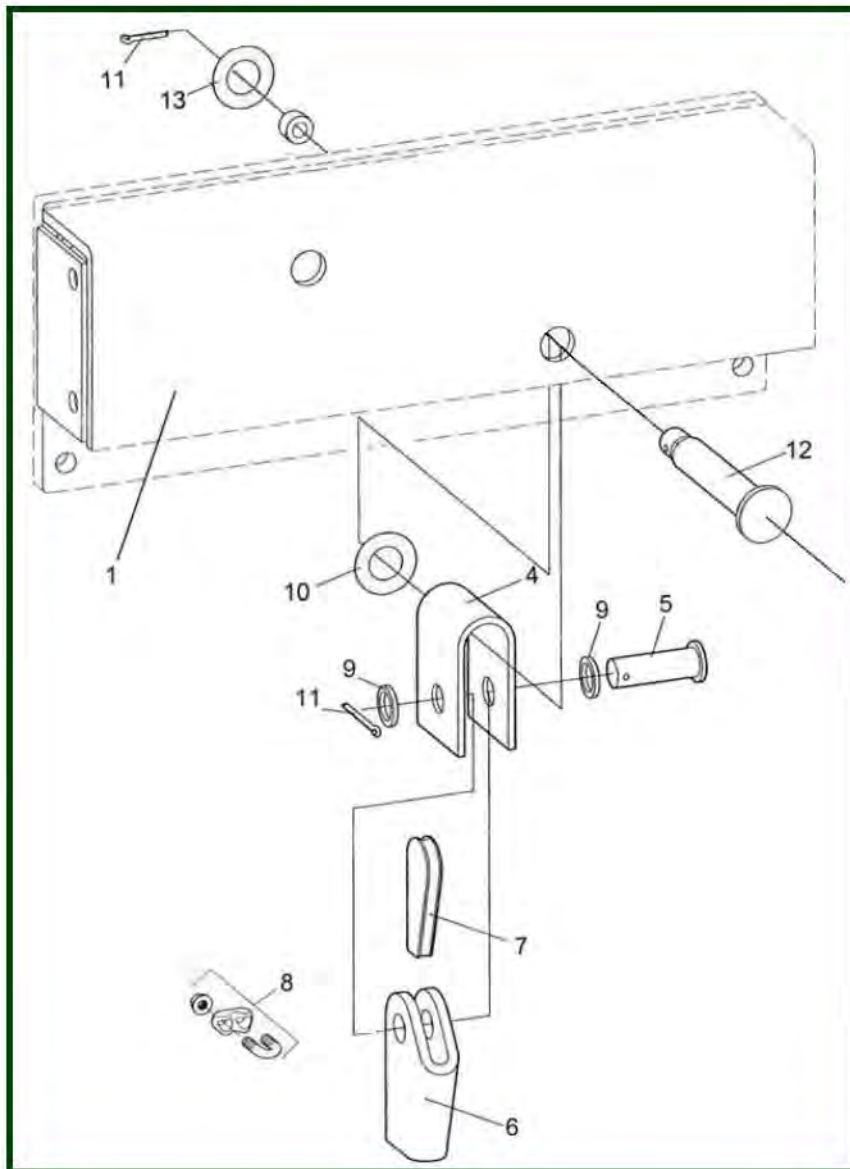
item	reference	description	observation	Quantity
1	<a href="#">1150500</a>	Rope drum - Lg 945	VS5....D	1
1	<a href="#">1150600</a>	Rope drum - Lg 1445	VS5....E,F,G,H	1
2	<a href="#">P5D2037</a>	Complete rope guide - P14,3	VS5...D	1
2	<a href="#">P5D2038</a>	Complete rope guide - P14,3	VS5...G	1
2	<a href="#">1150540</a>	Complete rope guide - P17,5	VS5...D/E	1
4	<a href="#">P5D1031</a>	Support arm + screws		1
8	<a href="#">1151042</a>	Antigratory Rope - Ø 16	VS502	1
9	<a href="#">1151142</a>	Antigratory Rope - Ø 16	VS504	1
10	<a href="#">1151017</a>	Rope clamp	VS5	5
11	<a href="#">830868</a>	External circlip - Ø 50	VS5	1
13	<a href="#">7415120H</a>	Bearing		1
14	<a href="#">8150096</a>	Nylos seal		1

## 5) Gear



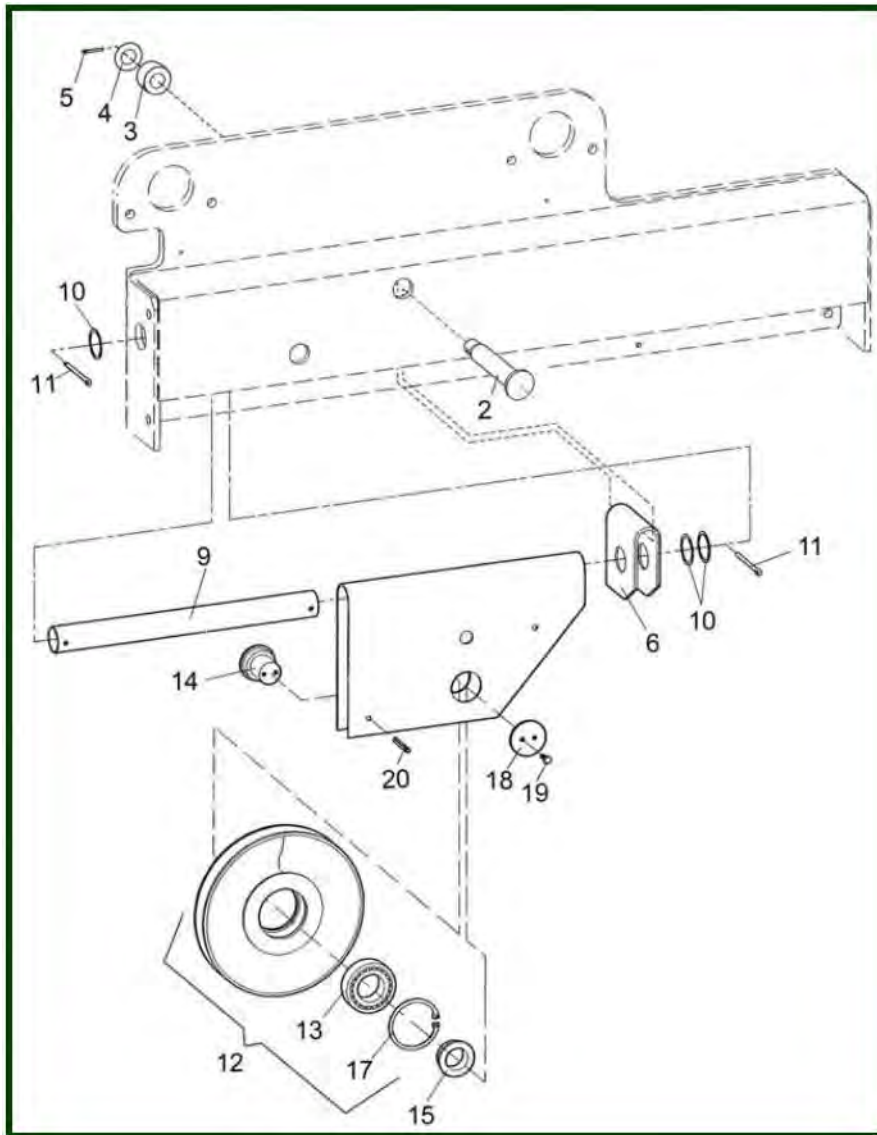
item	reference	description	observation	Quantity
1	<a href="#">P5G0005</a>	Gear housing	VS5...N4 5G4400	1
1	<a href="#">P5G0007</a>	Gear housing	VS5...N5 5G5500	1
3	<a href="#">P5G0009</a>	Bearings		1
4	<a href="#">P5G0010</a>	Bearings	VS5...N4/N5	1
5	<a href="#">P4G0013</a>	Coupling	VS4...RN4/NN4	1
5	<a href="#">P5G0013</a>	Coupling	VS5...N5	1
6	<a href="#">P4G0016</a>	O-Ring	VS4...RN4/NN4	2
6	<a href="#">P5G0017</a>	O-Ring	VS5...N5	2
7	<a href="#">P5G0019</a>	Complete primary shaft	VS5...N4	1
7	<a href="#">P5G0021</a>	Complete primary shaft	VS5...N5	1
8	<a href="#">P5G0023</a>	2nd complete gear	VS5...N4	1
8	<a href="#">P5G0024</a>	2nd complete gear	VS5...N5	1
9	<a href="#">P5G0025</a>	3rd complete gear	VS5...N4/N5	1
10	<a href="#">P5G0026</a>	Coupling	VS5...N4/N5	1
11	<a href="#">P5G0027</a>	Complete planetary gear	VS5...N4/N5	1
12	<a href="#">P5G0028</a>	Seals	VS5...N4 5G4400	1
12	<a href="#">P5G0030</a>	Seals	VS5...N5 5G5500	1
-	<a href="#">1157502</a>	Gear box	5G4400	1
-	<a href="#">1157503</a>	Gear box	5G5500	1

## 6) Rope enchainage suspension - 2 falls FM and NHT



item	reference	description	observation	Quantity
1	<a href="#">1155117</a>	Fixed beam assembly	VS5...F...E	1
1	<a href="#">1155017</a>	Fixed beam assembly	VS5...F... D	1
1	<a href="#">1154614</a>	Side plate - NHT trolley 4/2	VS5042...F...E and VS5042...F...D	1
1	<a href="#">1154514</a>	Side plate - NHT trolley	VS5...N...D	1
4	<a href="#">1152510</a>	Support		1
5	<a href="#">1152515</a>	Fixed point shaft		2
6	<a href="#">1152527</a>	Key housing		1
7	<a href="#">1152530</a>	Key		1
8	<a href="#">7333160B</a>	Rope clamp		1
9	<a href="#">8150017</a>	Washer - Ø 26		2
10	<a href="#">1155018</a>	Bushing		1
11	<a href="#">7271633Z</a>	Split pin 6.3x56		2
12	<a href="#">1155015</a>	Axle		1
13	<a href="#">8150016</a>	Washer - Ø 33		4

## 7) Rope sheave unit - 4 falls FM and NHT

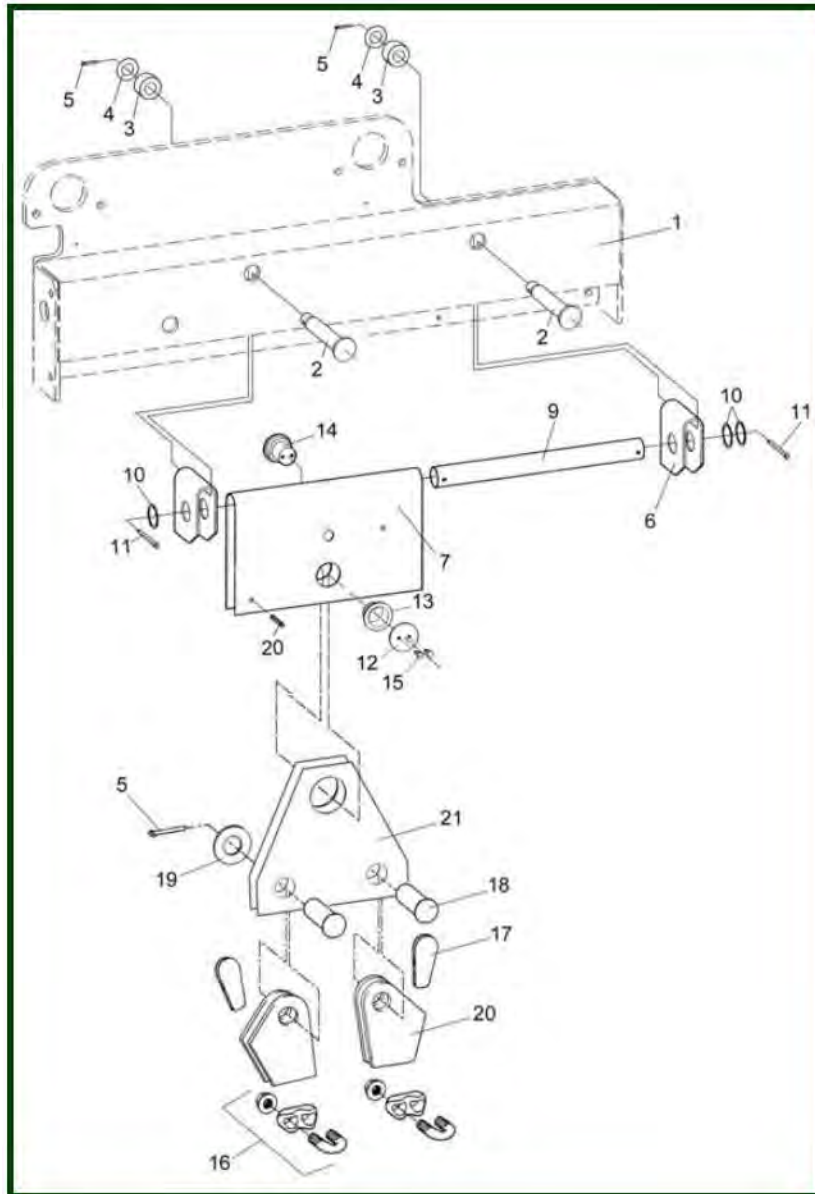


item	reference	description	observation	Quantity
1	<a href="#">1155117</a>	Fixed beam assembly	VS5...F...E	1
1	<a href="#">1155017</a>	Fixed beam assembly	VS5...F... D	1
1	<a href="#">1154614</a>	Side plate - NHT trolley 4/2	VS5042...F...E and VS5042...F...D	1
1	<a href="#">1154514</a>	Side plate - NHT trolley	VS5...N...D	1
2	<a href="#">1155015</a>	Axle		1
3	<a href="#">1155018</a>	Bushing		1
4	<a href="#">8150017</a>	Washer - Ø 26		2
5	<a href="#">831662</a>	Split pin 5x50		3
6	<a href="#">1155020</a>	Support part	1Am/2/3M	1
7	<a href="#">1152534</a>	Support	1Am	1
7	<a href="#">1152538</a>	Support	2/3M	1
9	<a href="#">1152536</a>	Beam 4/2		1
10	<a href="#">8150019</a>	Washer - 68 x 55 x 1	DIN988 - VS402...R - 1AM/2M/3M	3
11	<a href="#">8150091</a>	Split pin 8x70		1
12	<a href="#">1152520</a>	Complete Pulley - D 330mm	1Am	1
12	<a href="#">1152620</a>	Complete return pulley - Ø 420mm		1
13	<a href="#">7422211K</a>	Bearing	FEM 1Am	1
13	<a href="#">8150073</a>	Bearing	FEM- 2/3M	1
14	<a href="#">1152506</a>	Return pulley shaft	1Am	1
14	<a href="#">1152606</a>	Shaft	2/3Am	1

15	<u>1152524</u>	Bushing	1Am	1
15	<u>1152528</u>	Bushing	2/3Am	1
17	<u>8150081</u>	Circlip	2/3M-VS404..5/6..R - 2/3M	1
17	<u>8150082</u>	Circlip		1
18	<u>1152509</u>	Stop washer		1
19	<u>8150044</u>	HC screw 10 x 16		1
20	<u>4751080</u>	Spring pin 10 x 80		1

## 8) Rope sheave unit - 4/2 FM and NHT

Tambour E et D - E and D drum



item	reference	description	observation	Quantity
1	<a href="#">1155117</a>	Fixed beam assembly	VS5...F...E	1
1	<a href="#">1155017</a>	Fixed beam assembly	VS5...F... D	1
1	<a href="#">1154614</a>	Side plate - NHT trolley 4/2	VS5042...F...E and VS5042...F...D	1
2	<a href="#">1155015</a>	Axle		1
3	<a href="#">1155018</a>	Bushing		1
4 & 19	<a href="#">8150017</a>	Washer - Ø 26		1
5	<a href="#">7271633Z</a>	Split pin 6.3x56		4
6	<a href="#">1155020</a>	Support part	1Am/2/3M	2
7	<a href="#">VS50135A</a>	Fixed point support plate 4/2		1
8	<a href="#">VS50136A</a>	Shaft		1
9	<a href="#">400755</a>	Washer - Ø 40		1
10	<a href="#">8150019</a>	Washer - 68 x 55 x 1	DIN988 - VS402...R - 1AM/2M/3M	8
11	<a href="#">8150091</a>	Split pin 8x70		2
12	<a href="#">1152509</a>	Stop washer		1
13	<a href="#">1151524</a>	Shaft bush		1
14	<a href="#">1152506</a>	Return pulley shaft	1Am	1
15	<a href="#">8150044</a>	HC screw 10 x 16		2
16	<a href="#">7333140E</a>	Rope clamp - Ø 14		2

17	<u>8536233Q</u>	Key - Ø 14		2
18	<u>1142515</u>	Fixed point schaft		2
20	<u>8536132E</u>	Key housing	Câble / cable - Ø 14	2
21	<u>VS50137A</u>	Balancing plate 4/2		2
22	<u>1152536</u>	Beam 4/2		1

## 9) Overload limiter - From the April 1999

F - HPN - HPR / FM - NHT - LHT

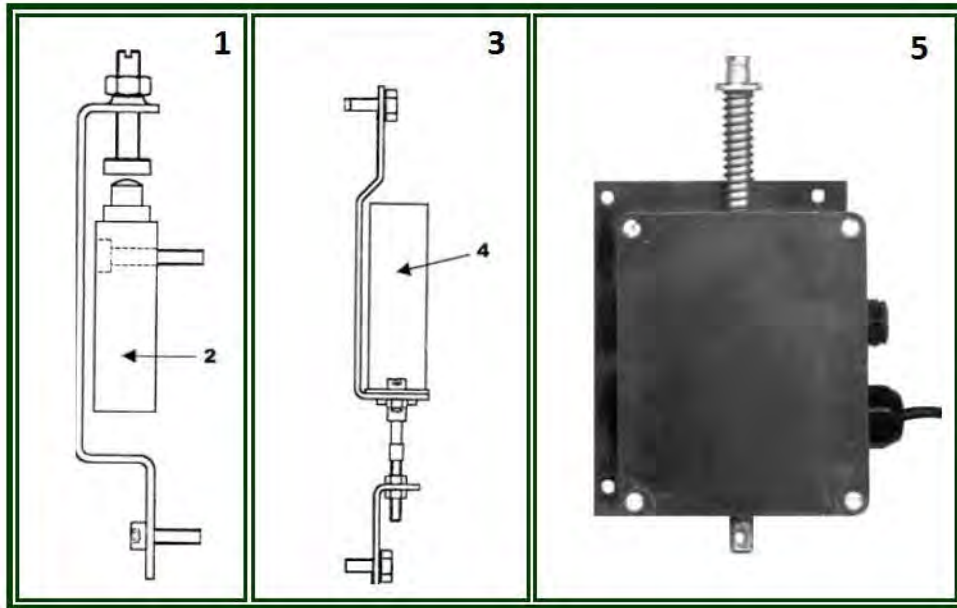


TABLEAU DE SYNTHESE DES LIMITEURS VS4/VS5/VS306/VS406  
SYNTHETIC TABLES FOR VS4/VS5/VS306/VS406 LIMITOR

Remplacé par Pour VS1 : Vis CHC 6x12 autres modules  
Ces sélecteurs sont installés depuis le 01/12/99 sur tous les palans VS.  
These selectors have been installed since 01/12/99 on all us hoids.

ANCIEN LIMITEUR (voir page...) Old LIMITOR	NOUVEAU LIMITEUR (voir page...) NEW LIMITOR
1144500 VS404 HPR (44) *+ *+ 1144602 VS404 HPN, Fixe (V5) *+ 1144502 VS402 HPN Fixe (2) #+ 1154502 VS502/04 Fixe HPN (V6) *+	1144500 VS404 HPR (V4) 1144501 VS402 HPR (V2) 1144602 VS404 HPN, Fixe (V5) YLS002A VS306 Gr 2M/3M - VS402..Y EE YLS003A VS306 Gr 1AM - VS402 Fixe - VS406 VS506 EEE

\* Les codes limiteurs sont restés les mêmes mais les composants ont changés (sauf limiteur mécanique 8111593).  
Les nouveaux composants ne se montent pas sur les anciens produits. Les anciens limiteurs ne sont plus disponibles.  
\* The part numbers of the load limiter devices remained the same but the components have changed (except for mechanical load limiter device ref 8111593)

· The new components don't fit the old devices. Old limitors are not sold anymore. ? ? ?  
# Le capteur à effet hall (1111510) n'est plus disponible, dans ce cas il faut remplacer tout le limiteur.  
(Utiliser VS402 fixe et HPN ou VS502 fixe et HPN)  
# The old sensor ref 1111510 is no longer available. In this case, the complete load limiter device has to be changed.  
(Use VS402 foot mounted and normal headroom trolley or VS502 Foot mounted and Normal headroom trolley) . ? ? ?  
+ Les supports (1141500) limiteur mécanique ne sont plus disponible, dans ce cas il faut changer tout le limiteur. (valable pour tous les VS4 et les VS5)  
+ The supports part n°1141500 for mechanical load limiters are no longer available.  
In this case, the complete load limiter has to be changed. ? ? ? ? ? ? ? ?

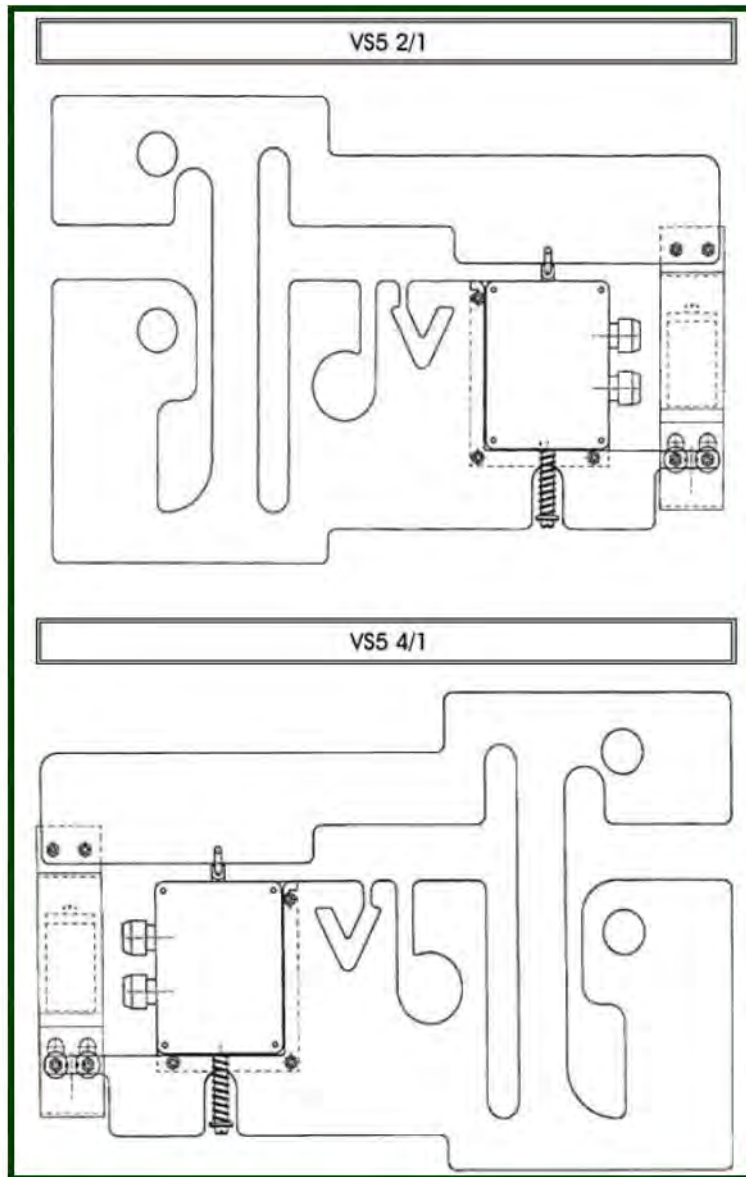
EXEMPLE :

Pour commander un nouveau limiteur complet, prendre la référence dans le tableau de droite + un lot de capteur (Pour VS404 HPR ; avec capteur mécanique)

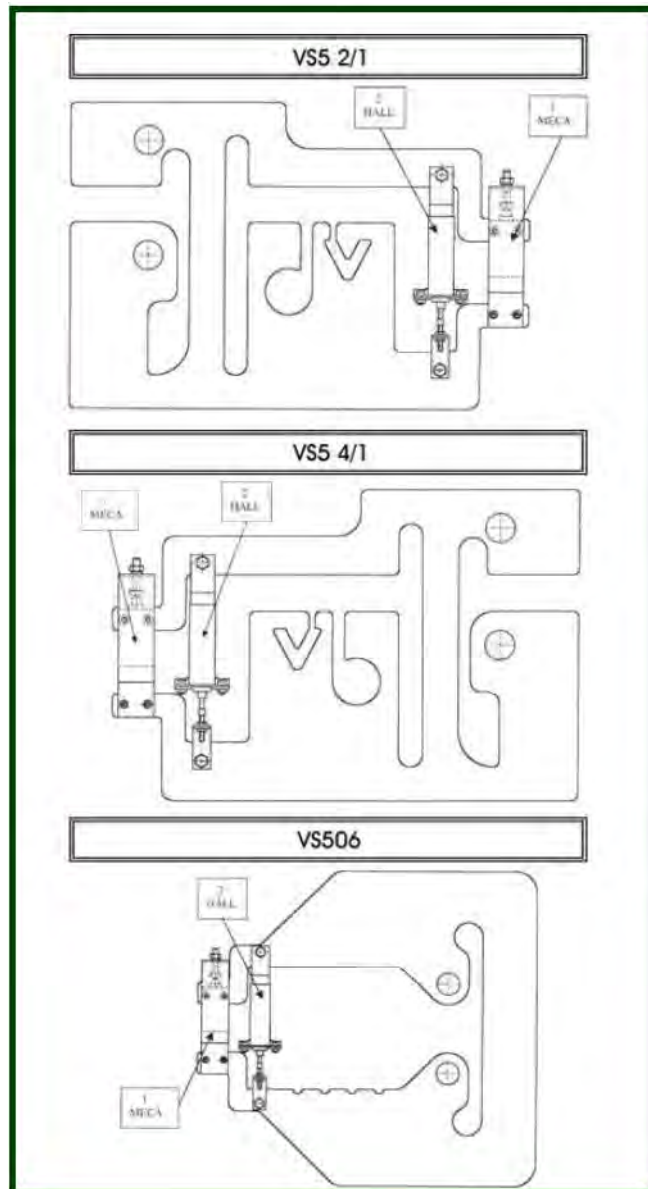
item	reference	description	observation	Quantity
1	<u>1141550</u>	Mechanical sensor set	VS306-VS404-VS504-VS502 2/6	1
2	<u>8111593</u>	Limit switch	VS306-VS404-VS504-VS502 2/6	0
3	<u>1141520</u>	HALL sensor kit	VS306-VS404-VS504-VS502 2/6	0
4	<u>LP20UFR10</u>	HALL sensor kit		0
5	<u>1113547</u>	HALL sensor - To march 99	HPR/LHT VS306-VS404-VS504 2/6	0



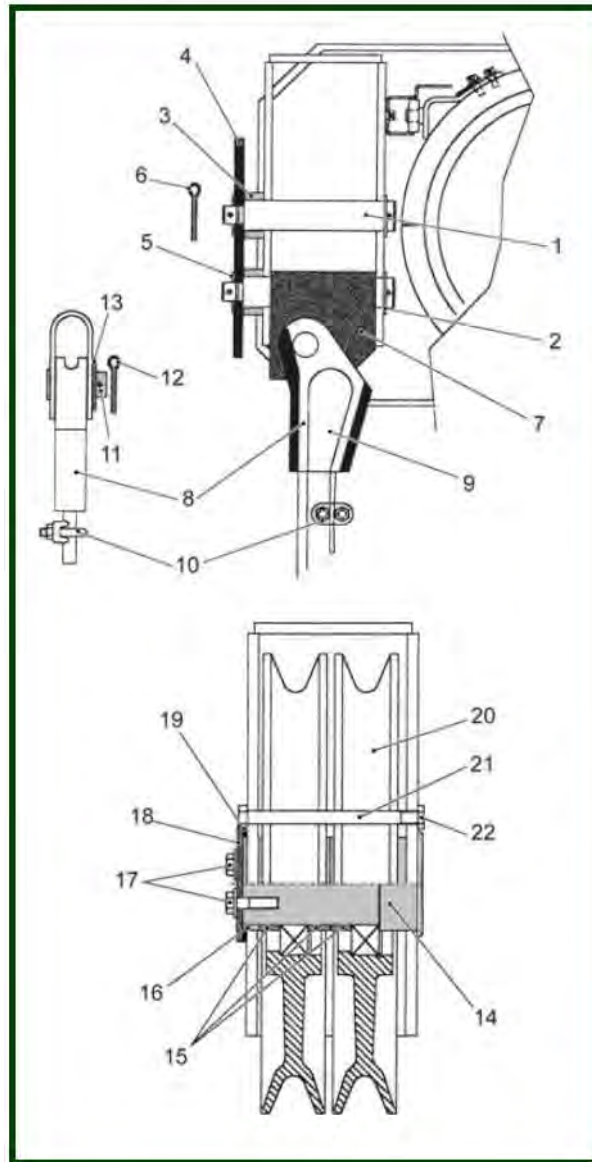
**10) Old load limiter assembling - Before april 1999**



## 11) New load limiter assembling - From the April 1999



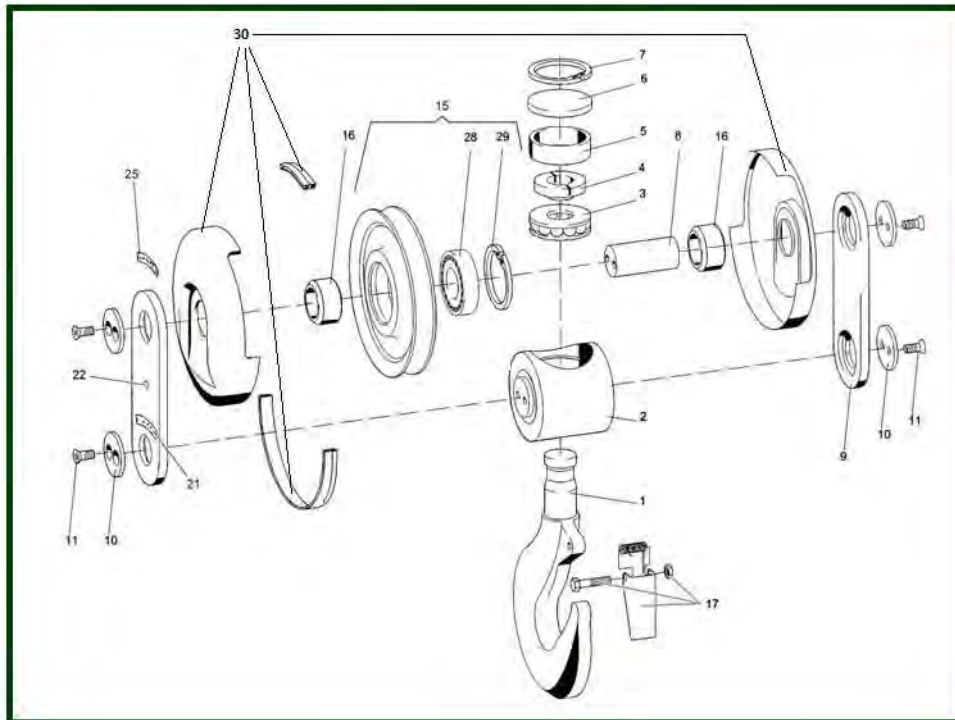
## 12) Return pulley subassembly and fixed point



item	reference	description	observation	Quantity
1	<a href="#">V5BAR01A</a>	Load limiter shaft		2
2	<a href="#">4BAB02A</a>	Sleeve 55 x 40 x 3		4
3	<a href="#">NC(5)</a>	External chain guide	Not supplied anymore replaced by 52309591	1
4	<a href="#">NC(9)</a>	Wedge housing suspension	Longueur tambour A & C - Chariot J Hoist drum length A & C - Trolley J	1
5	<a href="#">7152422X</a>	Washer 80 x 25 x 2		2
6	<a href="#">8210064</a>	Split pin 6 x 60		4
7	<a href="#">5BAR03A</a>	Fixed point plate		1
8	<a href="#">1152527</a>	Key housing		1
9	<a href="#">1152530</a>	Key		1
10	<a href="#">7333160B</a>	Rope clamp		1
11	<a href="#">1152515</a>	Fixed point shaft		1
12	<a href="#">7271633Z</a>	Split pin 6.3x56		1
13	<a href="#">8150017</a>	Washer - Ø 26		1
14	<a href="#">5BAU01A</a>	Return pulley shaft		1
15	<a href="#">5BAU04A</a>	Sleeve 85 x 75 x 20		3
16	<a href="#">5BAU07A</a>	Sleeve 85 x 75 x 14		1
17	<a href="#">830307</a>	HM screw 10 x 30		2
18	<a href="#">V5BAU05A</a>	Locking washer		1

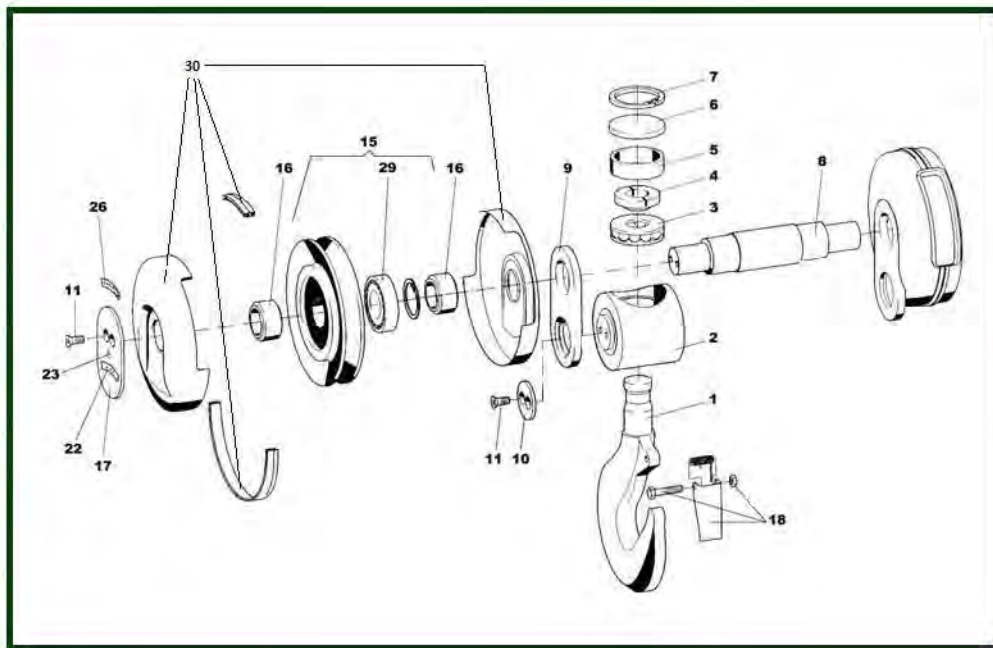
19	<u>8150019</u>	Washer - 68 x 55 x 1	DIN988 - VS402...R - 1AM/2M/3M	6
20	<u>1152620</u>	Complete return pulley - Ø 420mm		2
21	<u>7211679f</u>	Screw HM12x160		1
22	<u>8181207</u>	Thin nut M12		1

### 13) Lifting hookblock - 2 falls



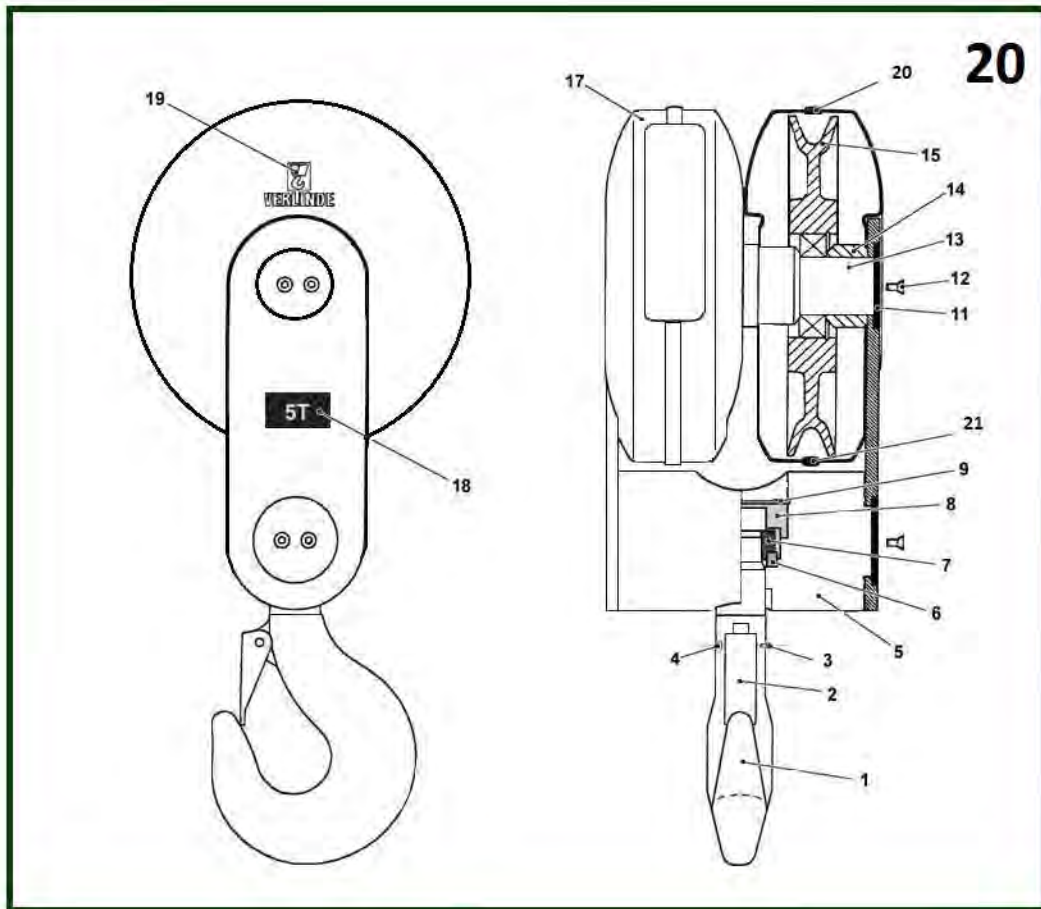
item	reference	description	observation	Quantity
1	<a href="#">1132101</a>	Complete hook block n°4	1Am	1
2	<a href="#">1132104</a>	Beam	1Am-2/3M	1
3	<a href="#">8150071</a>	Thrust bearing	1Am-2/3M	1
4	<a href="#">1132119</a>	Locking parts	1Am-2/3M	1
5	<a href="#">NCBDS</a>	Safety ring	1Am	1
6	<a href="#">1132105</a>	Beam cover	1Am-2/3M	1
7	<a href="#">400080</a>	Retaining ring for bore - Ø 90x3	1Am-2/3M	1
8	<a href="#">1152012</a>	Pulley shaft	1Am	1
8	<a href="#">1152112</a>	Pulley shaft	2/3M	1
9	<a href="#">1152035</a>	Flat bar	1Am	2
9	<a href="#">1152135</a>	Flat bar	2/3M	2
10	<a href="#">1132116</a>	Locking plate	1Am - 2/3M	4
11	<a href="#">7216403S</a>	Screw	1Am - 2/3M	8
15	<a href="#">1152520</a>	Complete Pulley - D 330mm	1Am	1
15	<a href="#">1152620</a>	Complete return pulley - Ø 420mm		1
16	<a href="#">1152031</a>	Bushing	1Am	2
16	<a href="#">1152525</a>	Bushing	2/3M	2
17	<a href="#">33433003</a>	Safety latch n°4	1Am-2/3M	1
21	<a href="#">1142071</a>	Stickers 75 x 32	5 T	2
21	<a href="#">1142072</a>	Stickers 75 x 32	6,3 T	2
21	<a href="#">1142073</a>	Stickers 75 x 32	8 T	2
22	<a href="#">1142051</a>	Stickers 80x130	FEM 1 Am	2
22	<a href="#">1142052</a>	Stickers 80x130	FEM 2 Am	2
22	<a href="#">1142053</a>	Stickers 80x130	FEM 3 Am	2
25	<a href="#">1142040</a>	Stickers 46x100	"VERLINDE"	2
28	<a href="#">NCR</a>	Bearling		1
29	<a href="#">NCC</a>	Circlips		1
30	<a href="#">1152086</a>	Hook cover kit	2/3M-Demi-coquille+Joints profilés / Cover + Sealings profile	1
30	<a href="#">1152083</a>	Hook cover kit	2/3M-Demi-coquille+Joints profilés / Cover + Sealings profile	1
-	<a href="#">1152000</a>	Complete hook block	1Am	1
-	<a href="#">1152100</a>	Complete hook block	2/3M	1

## 14) Lifting hookblock - 4 falls



item	reference	description	observation	Quantity
1	<a href="#">1152101</a>	Complete hook block n°4	1Am - 2/3M	1
2	<a href="#">1152004</a>	Beam	1Am - 2/3M	1
3	<a href="#">8150074</a>	Thrust bearing	1Am - 2/3M	1
4	<a href="#">1152019</a>	Locking parts	1Am - 2/3M	1
5	<a href="#">300082</a>	Safety ring - Ø 110	2/3M	1
6	<a href="#">1152105</a>	Beam cover	1Am - 2/3M	1
8	<a href="#">1152022</a>	Pulley shaft	1Am	1
8	<a href="#">1152113</a>	Pulley shaft	2/3M	1
9	<a href="#">1152036</a>	Flat bar	1Am	2
10	<a href="#">1132116</a>	Locking plate	1Am - 2/3M	2
11	<a href="#">7216403S</a>	Screw	1Am - 2/3M	8
15	<a href="#">1152520</a>	Complete Pulley - Ø 330mm	1Am	2
15	<a href="#">1152620</a>	Complete return pulley - Ø 420mm		2
16	<a href="#">1152031</a>	Bushing	1Am	4
16	<a href="#">1152525</a>	Bushing	2/3M	4
17	<a href="#">1152017</a>	Plate	1Am - 2/3M	2
18	<a href="#">1152020</a>	Safety catch n°5	1Am - 2/3M	1
22	<a href="#">1142071</a>	Stickers 75 x 32	5 T	2
22	<a href="#">1142072</a>	Stickers 75 x 32	6,3 T	2
22	<a href="#">1142073</a>	Stickers 75 x 32	8 T	2
22	<a href="#">1152074</a>	Stickers 75 x 32	10 T	2
22	<a href="#">1152075</a>	Stickers 75 x 32	12,5 T	2
22	<a href="#">1152076</a>	Stickers 75 x 32	16 T	2
23	<a href="#">1142051</a>	Stickers 80x130	FEM 1 Am	2
23	<a href="#">1142052</a>	Stickers 80x130	FEM 2 Am	2
23	<a href="#">1142053</a>	Stickers 80x130	FEM 3 Am	2
24	<a href="#">8150097</a>	Dowel		1
26	<a href="#">1142040</a>	Stickers 46x100	"VERLINDE"	2
29	<a href="#">7422211K</a>	Bearing	FEM 1Am	2
29	<a href="#">8150073</a>	Bearing	FEM- 2/3M	2
30	<a href="#">1152083</a>	Hook cover kit	2/3M-Demi-coquille+Joints profilés / Cover + Sealings profile	2
30	<a href="#">1152086</a>	Hook cover kit	2/3M-Demi-coquille+Joints profilés / Cover + Sealings profile	2
-	<a href="#">1152002</a>	Complete hook block	1Am	1
-	<a href="#">1152102</a>	Complete hook block	2/3M	1

## 15) Lifting hookblock - 4/2 roped



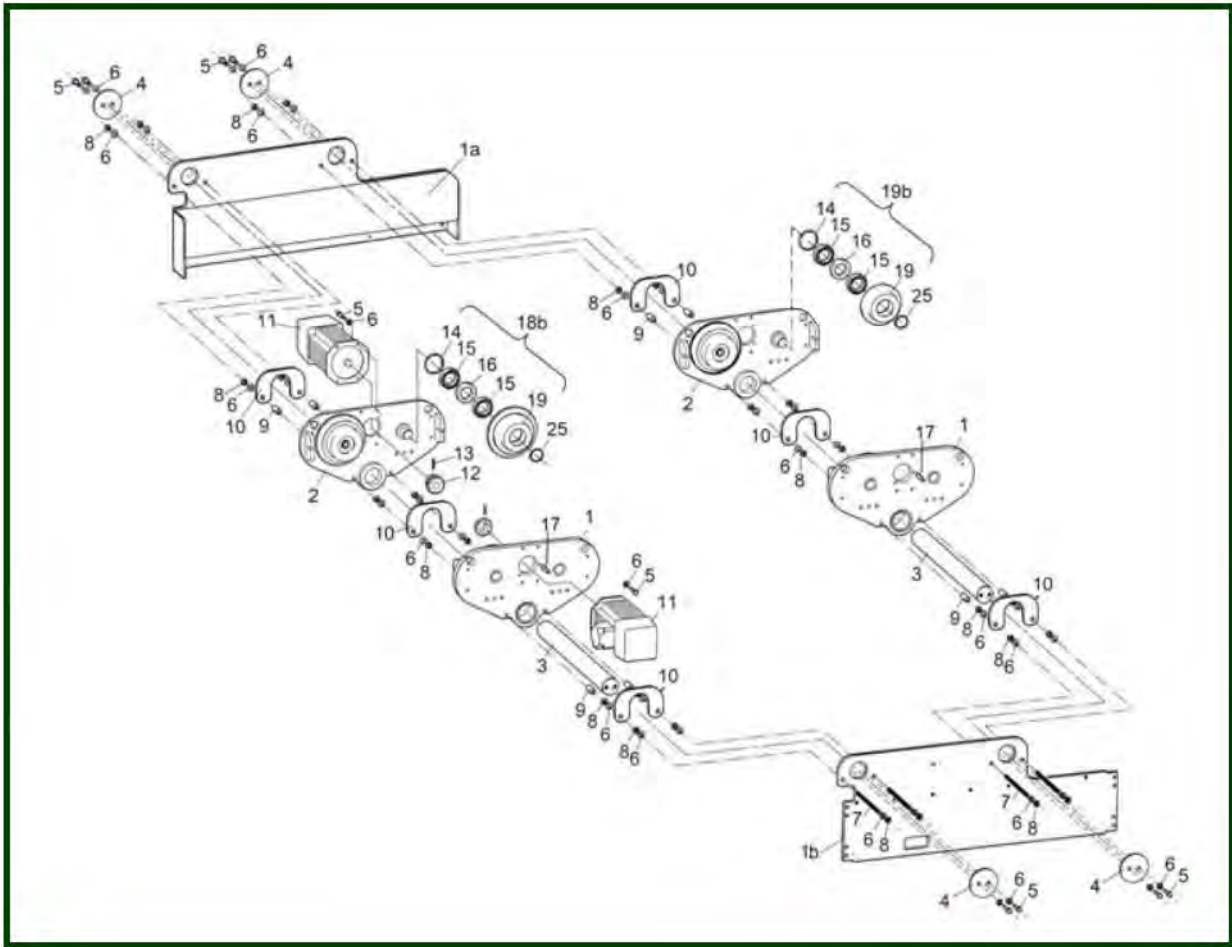
item	reference	description	observation	Quantity
1	<a href="#">1132101</a>	Complete hook block n°4	1Am	1
3	<a href="#">830828</a>	Screw HM8X45		1
4	<a href="#">7222090M</a>	Nut HM8		1
5	<a href="#">VS50128A</a>	Beam		1
6	<a href="#">8150071</a>	Thrust bearing	1Am-2/3M	1
7	<a href="#">1132119</a>	Locking parts	1Am-2/3M	1
8	<a href="#">1132105</a>	Beam cover	1Am-2/3M	1
9	<a href="#">400080</a>	Retaining ring for bore - Ø 90x3	1Am-2/3M	1
10	<a href="#">1152035</a>	Flat bar	1Am	2
11	<a href="#">1132116</a>	Locking plate	1Am - 2/3M	4
12	<a href="#">7211453L</a>	Screw HM 8x16		8
13	<a href="#">VS50129A</a>	Pulley shaft		1
14	<a href="#">1152031</a>	Bushing	1Am	2
15	<a href="#">1142620</a>	Complete pulley with bearing - Ø 330	2/3M	2
16a	<a href="#">1152007</a>	Seal cover - Lg 105 mm	1Am	2
16b	<a href="#">1152008</a>	Seal cover - Lg 433 mm	1Am	2
17	<a href="#">1152006</a>	Hook side plate	1Am - Sans / without eclis.	4
18	<a href="#">1142071</a>	Stickers 75 x 32	5 T	2
18	<a href="#">1142072</a>	Stickers 75 x 32	6,3 T	2
18	<a href="#">1142073</a>	Stickers 75 x 32	8 T	2
19	<a href="#">1142040</a>	Stickers 46x100	"VERLINDE"	2
20	<a href="#">VS50127A</a>	Complete true vertical lifting hookblock	4 brins / falls	1

## 16) Lifting hookblock - 6/1 falls

item	reference	description	observation	Quantity
1	<u>V5HA606A</u>	Side plate		2
2	<u>V5HA605A</u>	Superior plate		1
3	<u>V5HA602A</u>	Pulley shaft	1Am-2/3M	3
4	<u>1152620</u>	Complete return pulley - Ø 420mm		1
7	<u>5BAU040A</u>	Bushing		6
8	<u>V5HA607A</u>	Plate		2
9	<u>7216403S</u>	Screw	1Am - 2/3M	4
10	<u>F0000111</u>	Screw Hm M8x10		12
11	<u>P5C0034</u>	Hook RSN10		1
12	<u>V5HA601A</u>	Bottom block body		1
13	<u>81215</u>	Thrust bearing		1
14	<u>7HCB06A</u>	Ring		1
15	<u>7217553T</u>	Screw M10x20		1
16	<u>V5HA604A</u>	Cover		1
17	<u>830203</u>	Screw Hm M8xK20	C3 / PRC - Moteur N1 / N1 motor	4
18	<u>V5HA603A</u>	Flat bar		2
19	<u>800702</u>	Safety catch		1
-	<u>V5A6000A</u>	Complete hook block VS506		1



## 17) Normal headroom trolley (NHT)

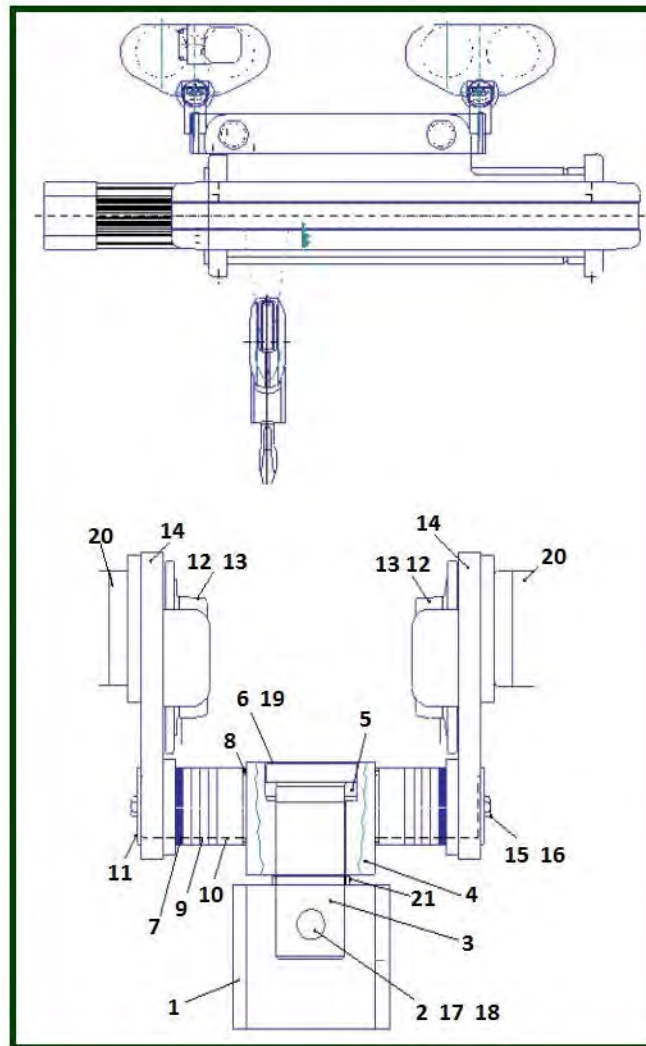


item	reference	description	observation	Quantity
1a	<a href="#">1154614</a>	Side plate - NHT trolley 4/2	VS5042...F...E and VS5042...F...D	1
1a	<a href="#">1154514</a>	Side plate - NHT trolley	VS5...N...D	1
1b	<a href="#">1154517</a>	Side plate - NHT trolley	VS5...N...D	1
1b	<a href="#">1154617</a>	Side plate - NHT trolley	VS5...N...E	1
2	<a href="#">1154531</a>	Side plate > 185mm	A la commande / On order	2
3	<a href="#">1154542</a>	Axle	Lg 637	2
3	<a href="#">1154541</a>	Axle	Lg 800	2
4	<a href="#">1154544</a>	Locking plate and screw - NHT trolley		1
5	<a href="#">8011550</a>	Screws		8
6	<a href="#">7232100D</a>	Narrow Grover washer -10mm	DIN12	8
7	<a href="#">1154505</a>	Tie rod - Lg350		8
8	<a href="#">831517</a>	Nut HM 16		32
9	<a href="#">1144511</a>	Bushing		8
10	<a href="#">1144545</a>	Clamping plate		0
11	<a href="#">Voir page</a>	Travelling motorgear	GS2..RPC+MF07	2
12	<a href="#">1113532</a>	Trav. Pinion - 19 th		2
13	<a href="#">7273458H</a>	Pin		2
17	<a href="#">8110059</a>	Dowel		6
18	<a href="#">1143502</a>	Geared travel wheel - Ø160		4
18b	<a href="#">1143508</a>	Wheel driving - Ø160	VB16	1
19	<a href="#">1143503</a>	Ungeared wheel		4
19b	<a href="#">1143519</a>	Wheel idle - Ø160	VB16	1
20	<a href="#">1143501</a>	Bushing		4
21	<a href="#">8150070</a>	Bearing		8
22	<a href="#">300081</a>	Interior circlip	D & DA & RD - 100 I	4
23	<a href="#">1144566</a>	Limit switch assy (travel)		1

24	<u>7541312D</u>	Limit switch - 1 step	C1-C2-C3	1
25	<u>7262055P</u>	Exterior circlip - Ø 55		1

## 18) Swivelling trolley (NHT)

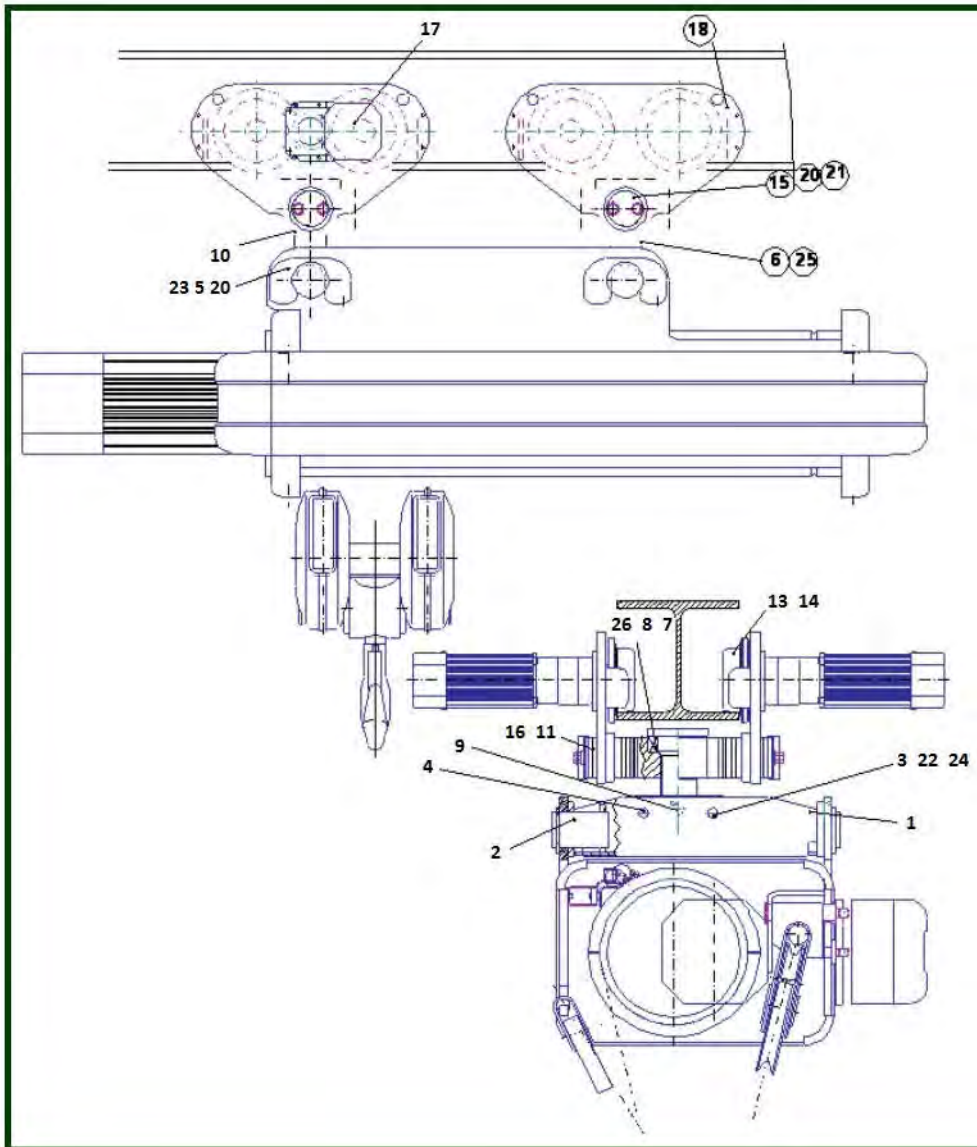
VS502...D VS502...E



item	reference	description	observation	Quantity
1	<a href="#">V5RAB08A</a>	Beam	VS502...D / VS502...E	1
2	<a href="#">V4RAB14A</a>	Pivot shaft		2
3	<a href="#">V4RAB15A</a>	Pivoting shaft		2
4	<a href="#">V4RAB16A</a>	Pivot tie rod		2
5	<a href="#">NC BAT</a>	Thrust rollerbearing		2
6	<a href="#">V4RAB17A</a>	Cover		2
7	<a href="#">V4RAB18A</a>	Adjustment sleeve		40
8	<a href="#">V4RAB19A</a>	Sleeve - th. 4		8
9	<a href="#">V4RAB20A</a>	Sleeve - th. 10		16
10	<a href="#">V4RAB21A</a>	Sleeve - th. 30		8
11	<a href="#">V4RAB22A</a>	End washer		4
12	<a href="#">1113508</a>	Complete geared wheel - Ø 100	VB10D:100mm - VB10D - VS2..R..O (VSX) 2 roulements+1 circlip+1 galet moteur 2 Bearings+1 circlip+1 geared wheel	4
13	<a href="#">1113507</a>	Complete ungeared wheel - Ø 100	VB10D:100mm - VB10D - VS2..R..O (VSX) 2 roulements+1 circlip+1 galet porteur 2 Bearings+1 circlip+1 geared wheel	4
14	<a href="#">V4RAB24A</a>	Side plate < 150mm		4
14	<a href="#">1134531</a>	Side plate for travel wheel > 150mm		4
15	<a href="#">830425</a>	Screw HM 12 x 30		8
16	<a href="#">7231122R</a>	Washer MU12		8
17	<a href="#">831662</a>	Split pin 5x50		4
18	<a href="#">NCRo</a>	Washer		4

19	<u>7211151H</u>	Screw		8
20	<u>NCMr</u>	Travelling motorgear	GS2..RPC+MF07	2
21	<u>V1RAB23A</u>	Stabilizing washer		2
22	<u>1113532</u>	Trav. Pinion - 19 th		2

## 18.1) Other

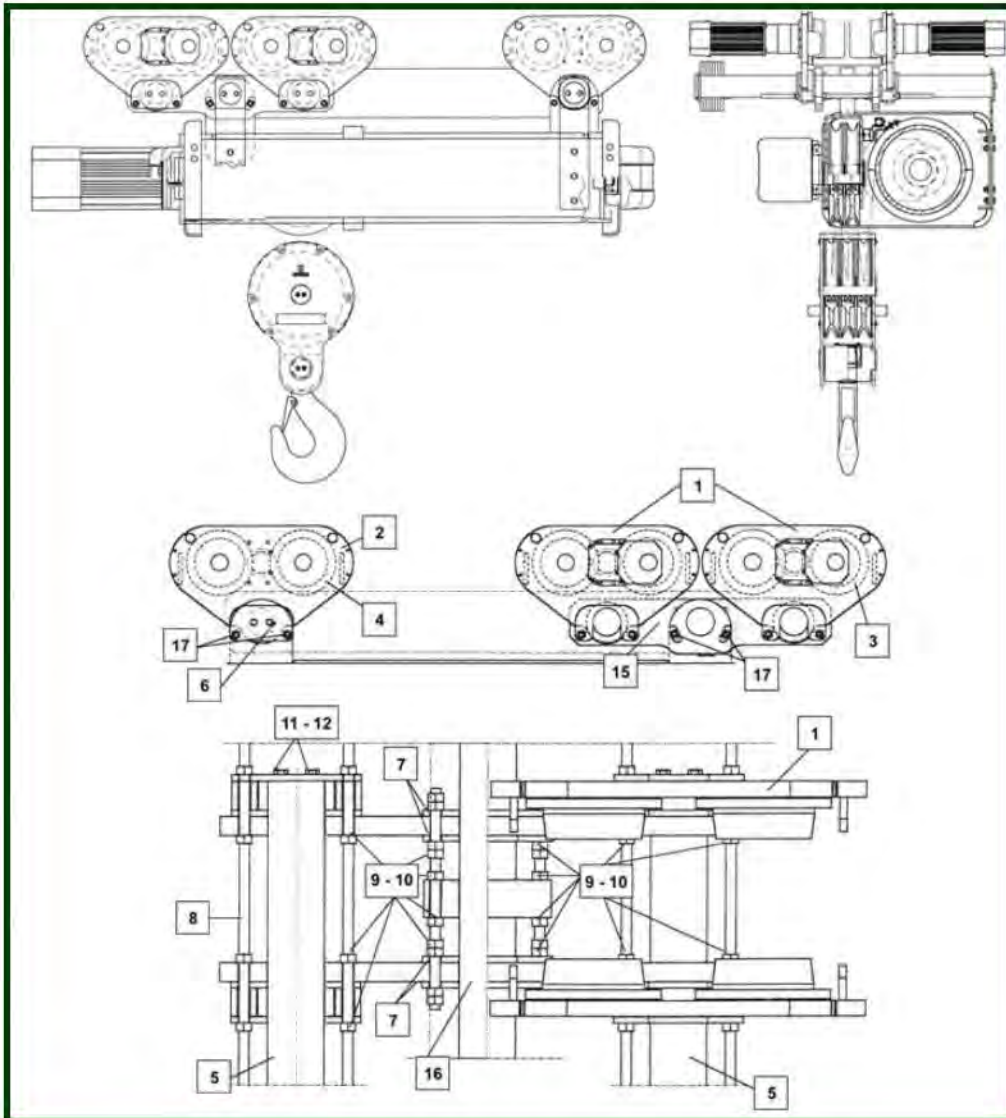


item	reference	description	observation	Quantity
1	<a href="#">V5RAB02A</a>	Beam	VS504...D VS504...E	2
2	<a href="#">V5RAB03A</a>	Beam shaft		4
3	<a href="#">5RCA03A</a>	Square		2
4	<a href="#">7NCA03A</a>	Square shaft		4
5	<a href="#">V5RAB04A</a>	Support panel		4
6	<a href="#">7RCA02A</a>	Pivot		2
7	<a href="#">7RCA01A</a>	Pivot tie rod		2
8	<a href="#">7RCA05A</a>	Sleeve		2
9	<a href="#">7RCA03A</a>	Pivot shaft		2
10	<a href="#">7RCA07A</a>	Sleeve		2
11	<a href="#">7RCA06A</a>	Adjustment Sleeve		2
13	<a href="#">1143508</a>	Wheel driving - Ø160	VB16	4
14	<a href="#">1143519</a>	Wheel idle - Ø160	VB16	4
15	<a href="#">7HCS04A</a>	End washer		4
16	<a href="#">D95/115</a>	Adjustment sleeve		4
17	<a href="#">Voir page</a>	Travelling motorgear	GS2..RPC+MF07	2
18	<a href="#">V5RAB09A</a>	Side plate < 185 mm		4
18	<a href="#">1154531</a>	Side plate > 185mm	A la commande / On order	4
20	<a href="#">7232120A</a>	Grower washer (12)		8

21	<u>830610</u>	Screw HM16 x 30	8
22	<u>831662</u>	Split pin 5x50	8
23	<u>7211660L</u>	Screw	8
24	<u>7232160U</u>	Washer	8
25	<u>NCGr</u>	Grease nipple	2
26	<u>NCBAR</u>	Thrust rollerbearing	2
27	<u>1113532</u>	Trav. Pinion - 19 th	2

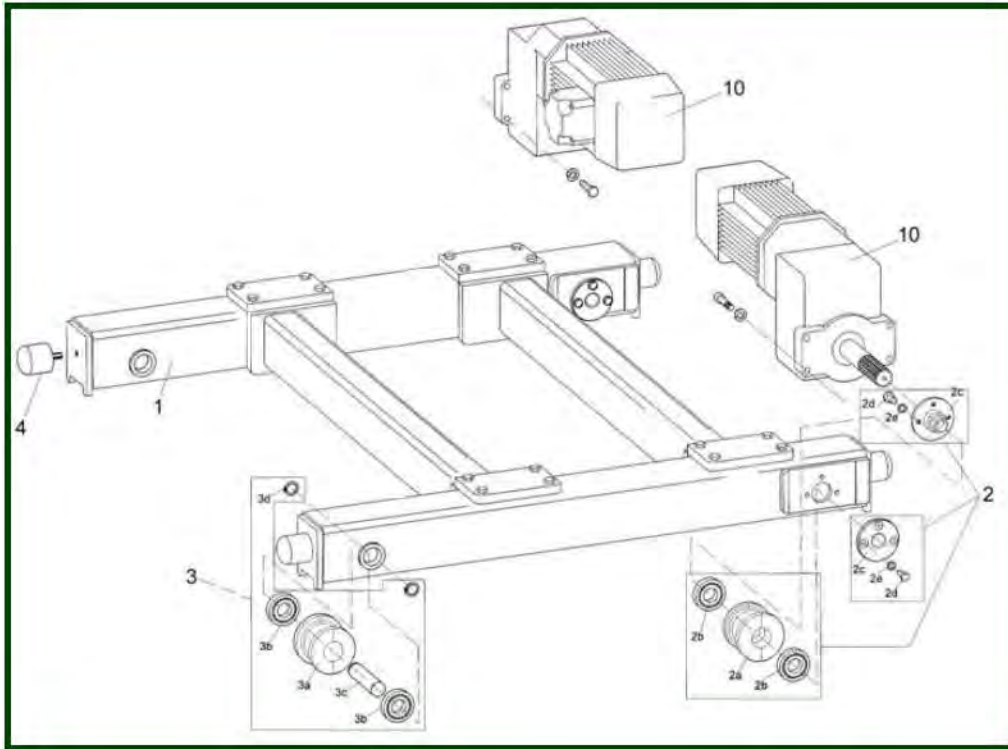
## 19) Normal headroom trolley - NHT

VS506



item	reference	description	observation	Quantity
1	<a href="#">1154530</a>	Motor side flange		4
2	<a href="#">1154520</a>	Idle side flange		2
3	<a href="#">1143508</a>	Wheel driving - Ø160	VB16	8
4	<a href="#">1143519</a>	Wheel idle - Ø160	VB16	4
5	<a href="#">V5NB603A</a>	Trolley shaft		2
6	<a href="#">1154545</a>	Stop washer		2
7	<a href="#">1144545</a>	Clamping plate		12
8	<a href="#">1154505</a>	Tie rod - Lg350		4
9	<a href="#">831517</a>	Nut HM 16		40
10	<a href="#">7232160V</a>	Washer plate M16		80
11	<a href="#">830426</a>	Screw HM 12x35		4
12	<a href="#">8130018</a>	M12 flat washer		4
13	<a href="#">830408</a>	Screw HM 16x140		4
14	<a href="#">V5NB601A</a>	Counterweigh		1

## 20) Double girder trolley paralel

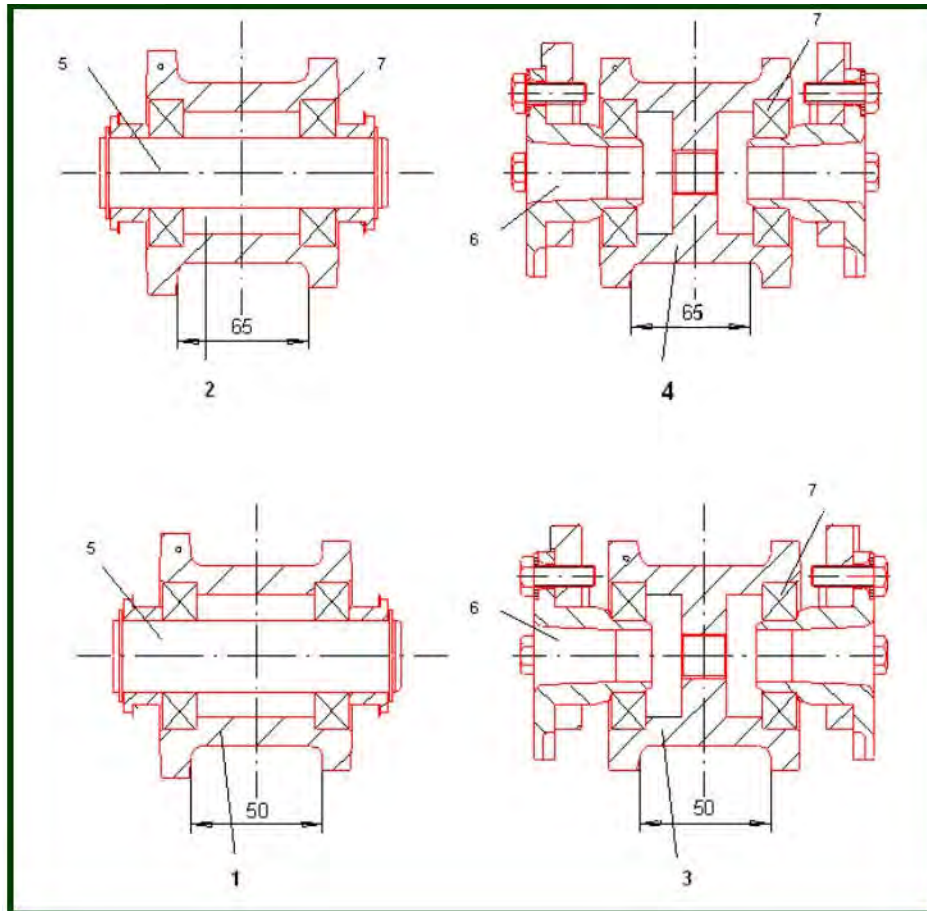


item	reference	description	observation	Quantity
2	<a href="#">25803001</a>	Driving wheel set - Ø 140 - G50	VS502 VS504 <16T	1
2	<a href="#">25803005</a>	Driving wheel set - Ø 140 - G65	VS502 VS504 <16T	1
2	<a href="#">35803001</a>	Driving wheel set - Ø 200 - G65	VS504 > 16T	1
2	<a href="#">35803005</a>	Driving wheel set - Ø 200 - G75	VS504 VP20 > 16T	1
3	<a href="#">25803003</a>	Travel wheel set - Ø 140 - G50	VS502 VS504 <16T	1
3	<a href="#">25803006</a>	Travel wheel set - Ø 140 - G65	VS502 VS504 <16T	1
3	<a href="#">35803003</a>	Travel wheel set - Ø 200 - G65	VS504 > 16T	1
3	<a href="#">35803006</a>	Travel wheel set - Ø 200 - G75	VS504 > 16T	1
4	<a href="#">15503007</a>	Buffer Set		4
24	<a href="#">7232160U</a>	Washer		1
27	<a href="#">1113532</a>	Trav. Pinion - 19 th		1
-	<a href="#">V5RAB09A</a>	Side plate < 185 mm		1



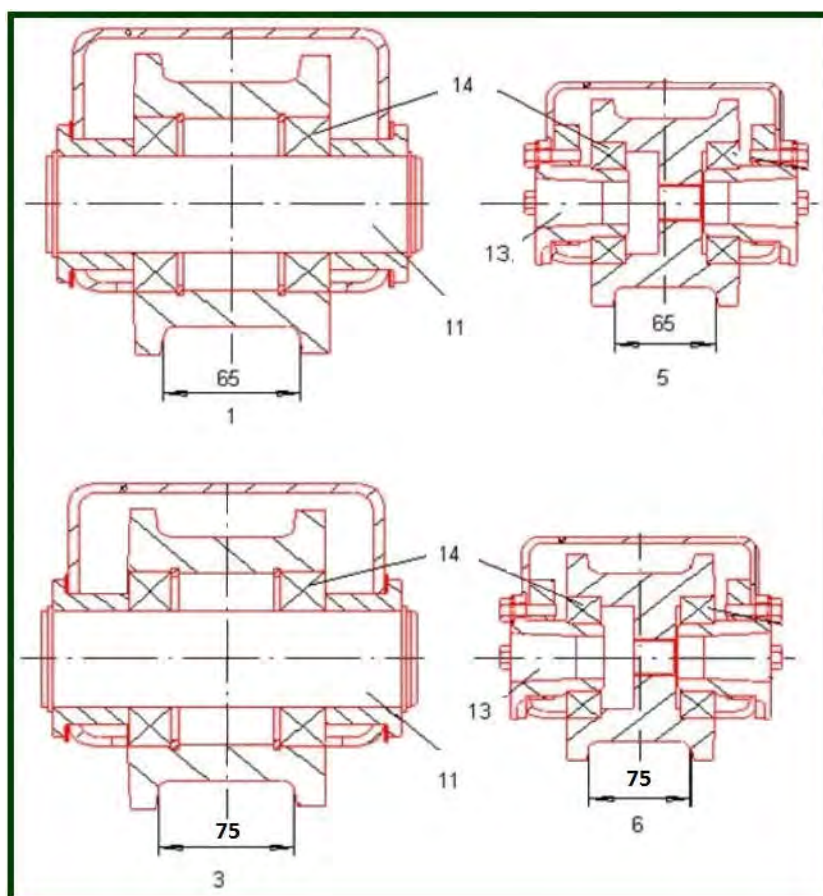
## 21) Complete travel wheel and driving < 16T

VS502 / VS504



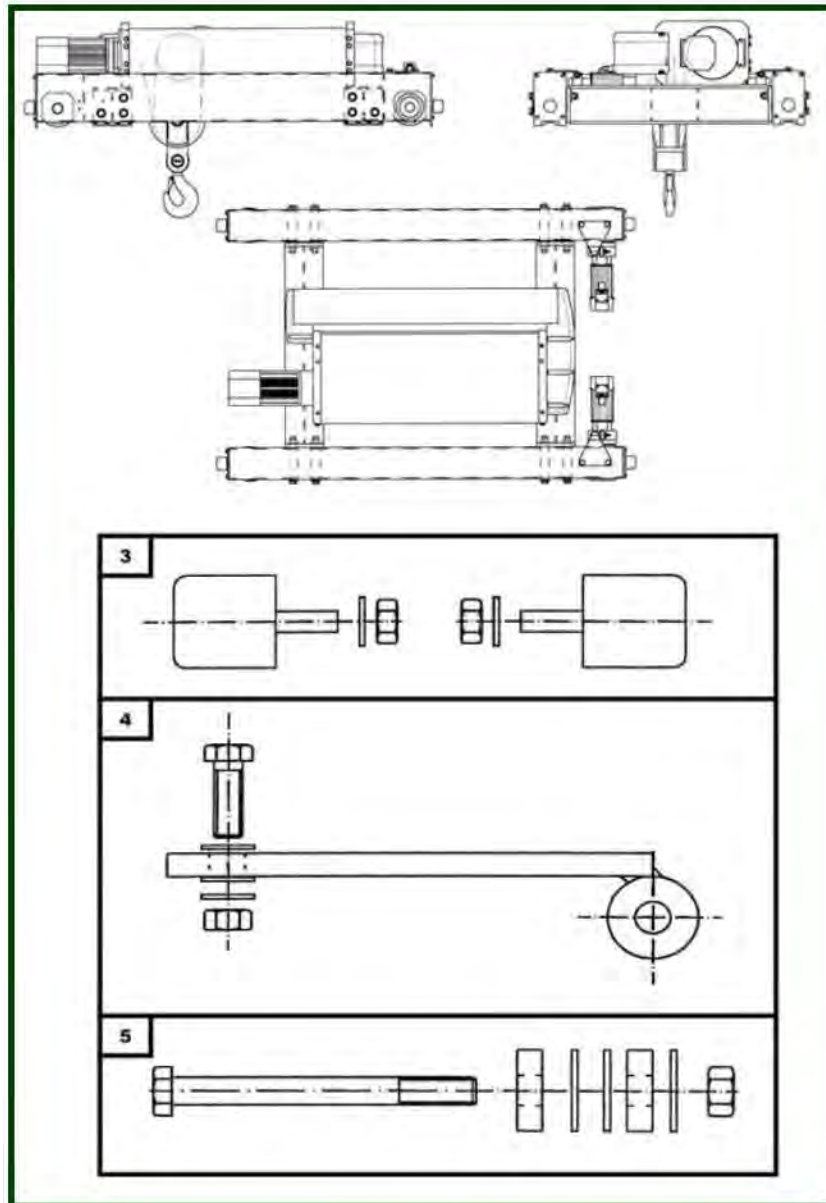
item	reference	description	observation	Quantity
1	<a href="#">25803003</a>	Travel wheel set - Ø 140 - G50	VS502 VS504 <16T	1
2	<a href="#">25803006</a>	Travel wheel set - Ø 140 - G65	VS502 VS504 <16T	1
3	<a href="#">25803001</a>	Driving wheel set - Ø 140 - G50	VS502 VS504 <16T	1
4	<a href="#">25803005</a>	Driving wheel set - Ø 140 - G65	VS502 VS504 <16T	1
5	<a href="#">25803007</a>	Travel wheel shaft	VS502 VS504 < 16T	1
6	<a href="#">25803002</a>	Driving wheel shaft	VS502 VS504 < 16T	1
7	<a href="#">7412112U</a>	Complete bearing	VS502 VS504 < 16T	2

## 22) Complete travel wheel and driving > 16T



item	reference	description	observation	Quantity
1	<a href="#">35803003</a>	Travel wheel set - Ø 200 - G65	VS504 > 16T	1
3	<a href="#">35803006</a>	Travel wheel set - Ø 200 - G75	VS504 > 16T	1
5	<a href="#">35803001</a>	Driving wheel set - Ø 200 - G65	VS504 > 16T	1
6	<a href="#">35803005</a>	Driving wheel set - Ø 200 - G75	VS504 VP20 > 16T	1
11	<a href="#">35803004</a>	Idle shaft set	VS504 VP20	1
13	<a href="#">35803002</a>	Geared shaft set	VS504 VP20	1
14	<a href="#">7413122A</a>	Bearing complet	VS504 VP20	1

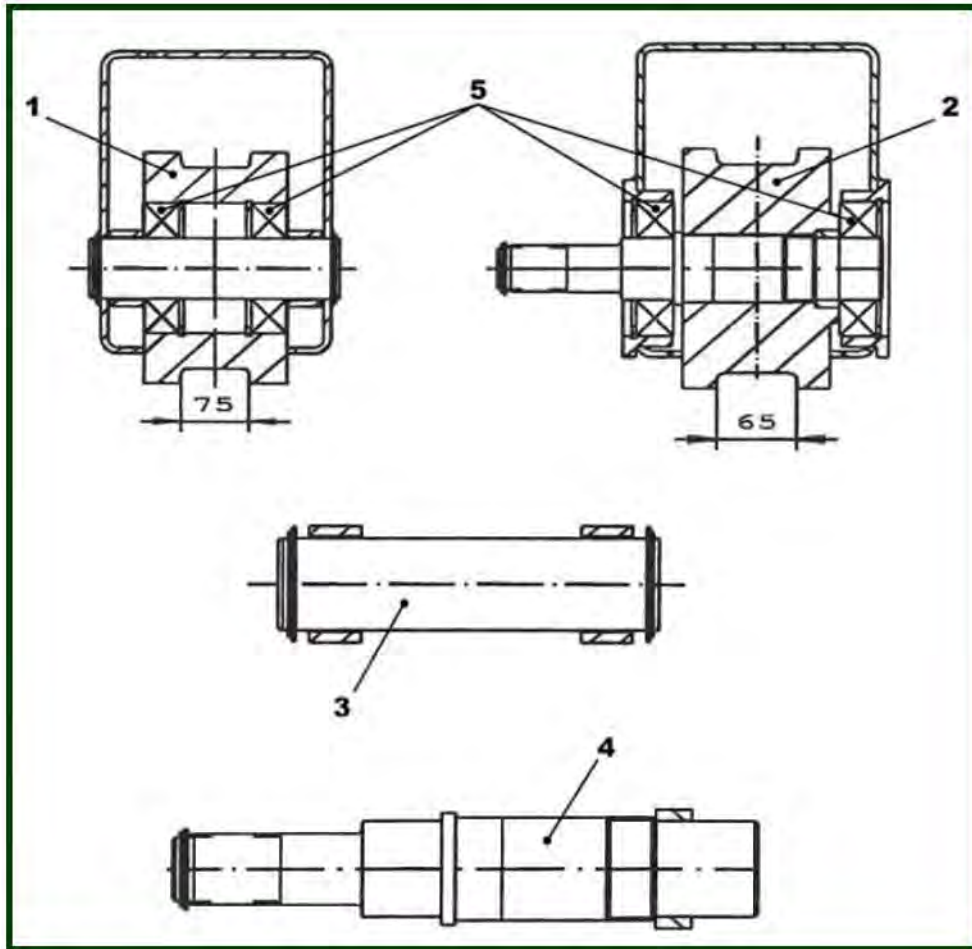
### 23) Paralel double girder trolley - 6 falls



item	reference	description	observation	Quantity
3	<a href="#">7911001Q</a>	Buffer set - Ø 100		4
4	<a href="#">35803007</a>	Support arm assembly		2
5	<a href="#">35803008</a>	Fixing screw set		2
	<a href="#">33803005</a>	Driving wheel set - Ø 200 - G75		2
	<a href="#">35803001</a>	Driving wheel set - Ø 200 - G65	VS504 > 16T	2
	<a href="#">35803003</a>	Travel wheel set - Ø 200 - G65	VS504 > 16T	2
	<a href="#">35803006</a>	Travel wheel set - Ø 200 - G75	VS504 > 16T	2

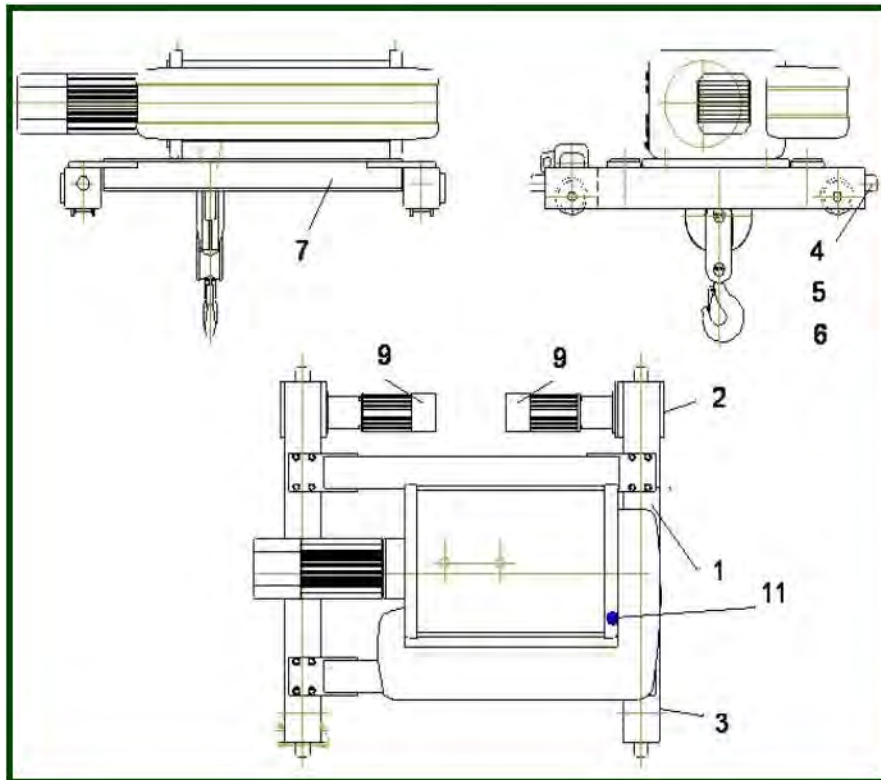
## 24) Birail wheel and shaft set

VS506 - 18T



item	reference	description	observation	Quantity
1	<u>NC(5)</u>	External chain guide	Not supplied anymore replaced by 52309591	2
2	<u>NC(9)</u>	Wedge housing suspension	Longueur tambour A & C - Chariot J / Hoist drum length A & C /Trolley J	1
3	<u>35803004</u>	Idle shaft set	VS504 VP20	2
4	<u>35803002</u>	Geared shaft set	VS504 VP20	2
5	<u>7412070M</u>	Bearing	VS5 - XS5	4

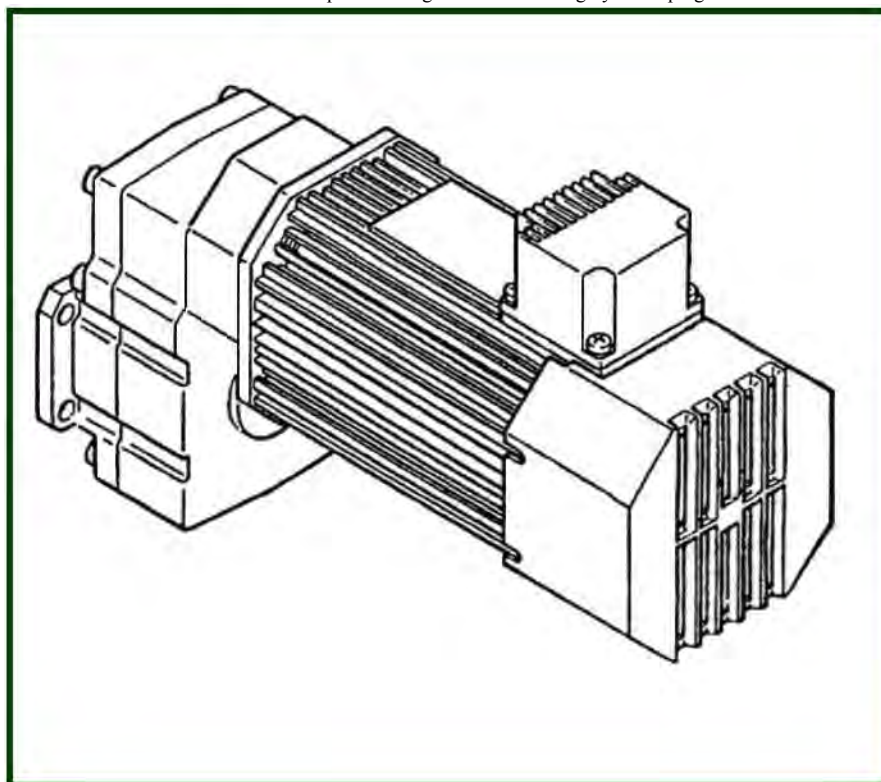
## 25) Double girder trolley perpendicular



item	reference	description	observation	Quantity
1	<a href="#">NCSV14</a>	End carriage	VS502/VS504 <16T	2
1	<a href="#">NCSV20</a>	End carriage	VS504 > 16T	2
2	<a href="#">25803001</a>	Driving wheel set - Ø 140 - G50	VS502 VS504 <16T	2
2	<a href="#">25803005</a>	Driving wheel set - Ø 140 - G65	VS502 VS504 <16T	2
2	<a href="#">35803001</a>	Driving wheel set - Ø 200 - G65	VS504 > 16T	2
2	<a href="#">35803005</a>	Driving wheel set - Ø 200 - G75	VS504 VP20 > 16T	2
3	<a href="#">25803003</a>	Travel wheel set - Ø 140 - G50	VS502 VS504 <16T	2
3	<a href="#">25803006</a>	Travel wheel set - Ø 140 - G65	VS502 VS504 <16T	2
3	<a href="#">35803003</a>	Travel wheel set - Ø 200 - G65	VS504 > 16T	2
3	<a href="#">35803006</a>	Travel wheel set - Ø 200 - G75	VS504 > 16T	2
4-5-6	<a href="#">15503007</a>	Buffer Set		4
7	<a href="#">NCT</a>	Beam set		1
11	<a href="#">NCF</a>	Fixing bolts and nuts, set		1

## 26) Motorgearbox for monorail hoist

Moteur prise métal grise / Motor with grey metal plug



## 26.1) Before april 1999

item	reference	description	observation	Quantity
	<u>1117505</u>	Gearbox GS320RPC Speed 20/5		1
	<u>1117508</u>	Gearbox GS340RPC Speed 10/2,5		1
	<u>25808104</u>	Travelling motor MF07LA14- 3000/750t/mn-415V/50Hz- W415V-0,25/0,06kw	Prise Wieland avant avril 1999 Wieland plug before april 1999	1
	<u>25808102</u>	Travelling motor MF07LA104 3000/750t/mn-220V/50Hz-0,25/0,06Kw	Prise Wieland avant avril 1999 Wieland plug before april 1999	1
	<u>25808103</u>	Travelling motor MF07LA104 3000/750t/mn - 380V/50Hz - 0,25/0,06kw	Prise Wieland avant avril 1999 Wieland plug before april 1999	1
	<u>25808302</u>	Travelling motor MF07LB104 3000/750t/mn - 220V/50Hz - 0.45/0.11Kw	Prise Wieland avant avril 1999 Wieland plug before april 1999	1
	<u>25808304</u>	Travelling motor MF07LB104 3000/750t/mn - 415V/50Hz - 0.45/0.11kw	Prise Wieland avant avril 1999 Wieland plug before april 1999	1
	<u>25808303</u>	Travelling motor MF07LB104 3000/750t/mn - 380 400V/50Hz - 0.45/0.11kw	Prise Wieland avant avril 1999 Wieland plug before april 1999	1
-	<u>7273458H</u>	Pin		1
-	<u>1113532</u>	Trav. Pinion - 19 th		1

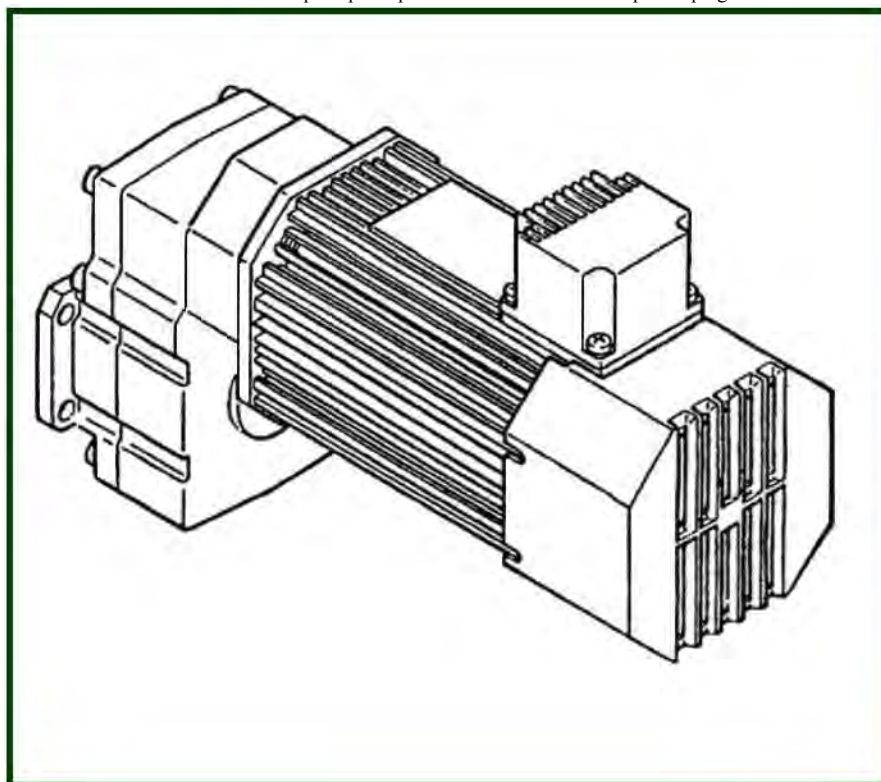
## 26.2) After april 1999

item	reference	description	observation	Quantity
	<u>1117505</u>	Gearbox GS320RPC Speed 20/5		1
	<u>1117508</u>	Gearbox GS340RPC Speed 10/2,5		1
	<u>25808104P</u>	Travelling motor MF07LA14 3000/750t/mn - 415V/50Hz - 0,25/0,06kw	Prise plastique après avril 1999 Plastic plug after april 1999	1
	<u>25808102P</u>	Travelling motor MF07LA104 3000/750t/mn - 220V/50Hz - 0,25/0,06Kw	Prise plastique après avril 1999 Plastic plug after april 1999	1
	<u>25808103P</u>	Travelling motor MF07LA104 3000/750t/mn - 380V/50Hz - 0,25/0,06kw	Prise plastique après avril 1999 Plastic plug after april 1999	1
	<u>25808302P</u>	Travelling motor MF07LB104 3000/750t/mn - 220V/50H z- 0.45/0.11Kw	Prise plastique après avril 1999 Plastic plug after april 1999	1
	<u>25808304P</u>	Travelling motor MF07LB104 3000/750t/mn - 415V/50Hz - 0.45/0.11kw	Prise plastique après avril 1999 Plastic plug after april 1999	1
	<u>25808303P</u>	Travelling motor MF07LB104 3000/750t/mn - 380 400V/50Hz - 0.45/0.11kw	Prise plastique après avril 1999 Plastic plug after april 1999	1



## 27) Motorgearbox for birail hoist

Moteur prise plastique noire / Motor with black plastic plug



## 27.1) Before april 1999

item	reference	description	observation	Quantity
	<u>25549020</u>	Gearbox GM490MPB Speed 10/2,5		1
	<u>25883020</u>	Gearbox GS363RFB Speed 20/5		1
	<u>25518102</u>	Travelling motor MF07LA206 1500/500t/mn - 220V/50Hz - 0.27/0.07Kw	Prise Wieland avant avril 1999 Wieland plug before april 1999	1
	<u>25518104</u>	Travelling motor MF07LA206 1500/500t/mn - 415V/50Hz - 0.27/0.07Kw	Prise Wieland avant avril 1999 Wieland plug before april 1999	1
	<u>25518103</u>	Travelling motor MF07LA206 1500/500t/mn - 380 400V/50Hz 0.27/0.07Kw	Prise Wieland avant avril 1999 Wieland plug before april 1999	1
	<u>25808302</u>	Travelling motor MF07LB104 3000/750t/mn - 220V/50Hz - 0.45/0.11Kw	Prise Wieland avant avril 1999 Wieland plug before april 1999	1
	<u>25808304</u>	Travelling motor MF07LB104 3000/750t/mn - 415V/50Hz - 0.45/0.11kw	Prise Wieland avant avril 1999 Wieland plug before april 1999	1
	<u>25808303</u>	Travelling motor MF07LB104 3000/750t/mn - 380 400V/50Hz 0.45/0.11kw	Prise Wieland avant avril 1999 Wieland plug before april 1999	1
	<u>25518204</u>	Travelling motor MF07ZB206 1500/500 - 415V/50Hz-0.37/0.10kw	Prise Wieland avant avril 1999 Wieland plug before april 1999	1
	<u>25518202</u>	Travelling motor MF07ZB206 1500/500t/mn - 220V/50Hz - 0.37/0.10kw	Prise Wieland avant avril 1999 Wieland plug before april 1999	1
	<u>25518203</u>	Travelling motor MF07ZB206 1500/500t/mn - 380 400V/50Hz 0.37/0.10kw	Prise Wieland avant avril 1999 Wieland plug before april 1999	1
	<u>25508412</u>	Travelling motor MF07ZC104 3000/750t/mn - 220V/50Hz - 0.65/0.15Kw	Prise Wieland avant avril 1999 Wieland plug before april 1999	1
	<u>25508413</u>	Travelling motor MF07ZC104 3000/750t/mn - 380 - 400V/50Hz 0.65/0.15Kw	Prise Wieland avant avril 1999 Wieland plug before april 1999	1
	<u>25508414</u>	Travelling motor MF07ZC104 3000/750t/mn - 415V/50Hz - 0.65/0.15Kw	Prise Wieland avant avril 1999 Wieland plug before april 1999	1

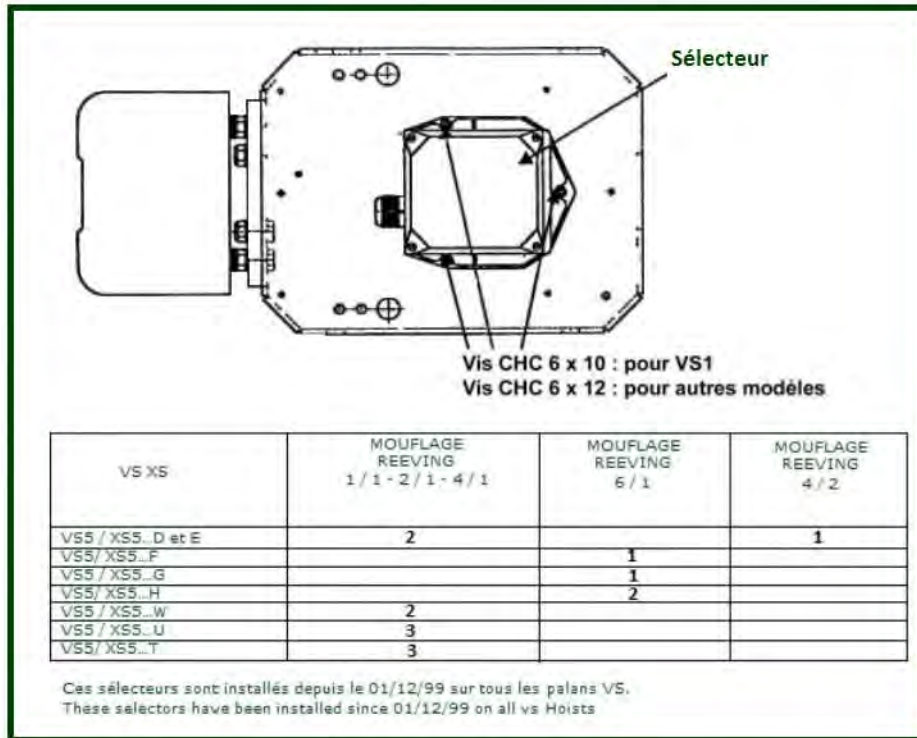
## 27.2) After april 1999

item	reference	description	observation	Quantity
	<u>25549020</u>	Gearbox GM490MPB Speed 10/2,5		1
	<u>25883020</u>	Gearbox GS363RFB Speed 20/5		1
	<u>25518102P</u>	Travelling motor MF07LA206 1500/500t/mn - 220V/50Hz-0.27/0.07Kw	Prise plastique après avril 1999 Plastic plug after april 1999	1
	<u>25518104P</u>	Travelling motor MF07LA206 1500/500t/mn - 415 V/50Hz - 0.27/0.07Kw	Prise plastique après avril 1999 Plastic plug after april 1999	1
	<u>25518103P</u>	Travelling motor MF07LA206 1500/500t/mn - 380 400V/50Hz-0.27/0.07Kw	Prise plastique après avril 1999 Plastic plug after april 1999	1
	<u>25808302P</u>	Travelling motor MF07LB104 3000/750t/mn - 220V/50H z- 0.45/0.11Kw	Prise plastique après avril 1999 Plastic plug after april 1999	1
	<u>25808304P</u>	Travelling motor MF07LB104 3000/750t/mn - 415V/50Hz - 0.45/0.11kw	Prise plastique après avril 1999 Plastic plug after april 1999	1
	<u>25808303P</u>	Travelling motor MF07LB104 3000/750t/mn - 380 400V/50Hz 0.45/0.11kw	Prise plastique après avril 1999 Plastic plug after april 1999	1
	<u>25518202P</u>	Travelling motor MF07ZB206 1500/500t/mn - 220V/50Hz - 0.37/0.10kw	Prise plastique après avril 1999 Plastic plug after april 1999	1
	<u>25518204P</u>	Travelling motor MF07ZB206 1500/500t/mn - 415V/50Hz - 0.37/0.10kw	Prise plastique après avril 1999 Plastic plug after april 1999	1
	<u>25518203P</u>	Travelling motor MF07ZB206 1500/500t/mn - 380 400V/50Hz 0.37/0.10kw	Prise plastique après avril 1999 Plastic plug after april 1999	1
	<u>25508412P</u>	Travelling motor MF07ZC104 3000/750t/mn - 220V/50Hz - 0.65/0.15Kw	Prise plastique après avril 1999 Plastic plug after april 1999	1
	<u>25508414P</u>	Travelling motor MF07ZC104 3000/750t/mn - 415V/50Hz - 0.65/0.15Kw	Prise plastique après avril 1999 Plastic plug after april 1999	1
	<u>25508413P</u>	Travelling motor MF07ZC104 3000/750t/mn - 380 400V/50Hz 0.65/0.15Kw	Prise plastique après avril 1999 Plastic plug after april 1999	1

## 28) Electrical parts

item	reference	description	observation	Quantity
	<u>1113014</u>	Auxiliary block		1
	<u>1113012</u>	Auxiliary block		1
	<u>1113007</u>	Auxiliary contact LA1D20	7536314W	4
	<u>1113044</u>	Brake rectifier ESD141 For main voltage 230V to 690V	Motor P6 to P9	1
	<u>1113077</u>	Circuit breaker		1
	<u>1113078</u>	Circuit breaker		1
	<u>1113003</u>	Circuit breaker		1
	<u>1113002</u>	Circuit breaker		1
	<u>1113005</u>	Circuit breaker	GV2ME07 - AF7	2
	<u>1113121</u>	Complete lifting unit		1
	<u>1113018</u>	Contacteur	Frein/Brake	1
	<u>8812152B</u>	Control cable	16x1,5 mm <sup>2</sup>	0
	<u>7691114G</u>	Counter cover		1
	<u>1113094</u>	Counter support		1
	<u>7575304B</u>	Fuse 4A		1
	<u>7575306D</u>	Fuse 6A		1
	<u>7573242K</u>	Fuse support	BC31	1
	<u>1113125</u>	Hour counter - 48V-50Hz		1
	<u>1113113</u>	Limit switch	Jusqu'au/up to 30/11/99	2
	<u>1113019</u>	Main contactor - 400V/48V - LC1D80E7	Moteur / Motor P8 - O-K1	1
	<u>1103001</u>	Monitor+connectors	CU1	1
	<u>1113101</u>	Monitor+transformer	CU1	1
	<u>1113043</u>	Motor protector - 48V	MSL 48C	1
	<u>834490</u>	Push button 2HS+2CT+ES		1
	<u>7531623X</u>	Reversing contactor	LC2D803E	1
	<u>1113023</u>	Reversing contactor - 400V-48V	LC2ECO9E (7531023V)	1
	<u>1113021</u>	Selector contactor	48V	1
	<u>1113056</u>	Stopping controller ESD138C - 48V	Moteur / Motor P6 à/to P9 - NA AD9	1
	<u>1113051</u>	Transformer 250VA 400V/48V		1

## 29) Mounting and choosing the came selector



item	reference	description	observation	Quantity
1	<u>GTES67DZM</u>	Rotating limit switch - 4C Reeving 1/1-2/1-4/1	XS2 - VS2...C et Z Depuis/Since 01/12/99	1
2	<u>GTES110DZM</u>	Rotating limit switch - 4C Reeving 1/1-2/1-4/1	XS2 - VS2...C et Z Depuis/Since 01/12/99	1
3	<u>GTES180DZM</u>	Rotating cam limit switch Reeving 1/1-2/1-4/1	Tirlift tambour long 3 couches 61m Long drum 3 layers 61m	1