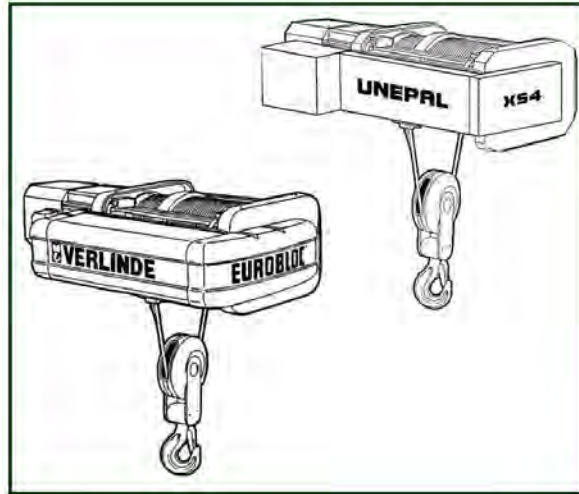


## Spare Parts - VS4-XS4

To avoid errors, when ordering please specify:

- Complete type of hoist
- Date of manufacture and serial number
  - Spare part code
  - Spare part designation
  - Additional information



### 0) VS HOIST CODIFICATION

- 1) COVER
- 2) FRAME
- 3) 406 HOIST FRAME
- 4) ROPE DRUM
  - 4.1) Precut rope
- 5) GEAR
- 6) ROPE ANCHORAGE SUSPENSION - 2 FALLS FM AND NHT
- 7) ROPE SHEAVE UNIT - 2FALLS - LHT
- 8) ROPE SHEAVE UNIT - 4 FALLS FM AND NHT
- 9) ROPE SHEAVE UNIT - 4 FALLS LHT
- 10) ROPE ENCHORAGE SUSPENSION TRUE VERTICAL LHT
- 11) ROPE ENCHORAGE SUSPENSION TRUE VERTICAL FM / NHT
- 12) SHEAVE UNIT AND ROPE SUSPENSION HOIST 406
- 13) OVERLOAD PROTECTION FM, NHT, LHT (ELECT. MECH.)
  - 14) LIFTING HOOK - 2 FALLS
  - 15) LIFTING HOOK - 4 FALLS
- 16) LIFTING HOOK - 6 FALLS HOISTING GEAR TYPE N
- 17) LIFTING HOOK, 6 FALLS, HOISTING GEAR TYPE L-R
- 18) LIFTING HOOKBLOCK TRUE VERTICAL 4/2
- 19) LOW HEADROOM TROLLEY
- 20) NORMAL HEADROOM TROLLEY
- 21) NORMAL HEADROOM TROLLEY 406
- 22) SWIVELLING TROLLEY
- 23) SWIVELLING TROLLEY 4/1 AND 2/1
- 24) DOUBLE GIRDER TROLLEY HOIST 4/1 ET 2/1
- 25) DOUBLE GIRDER TROLLEY WHEEL SET 4/1 AND 2/1
  - 25.1) VS 404-1
  - 25.2) VS 402-1 VS 404-2
- 26) DOUBLE GIRDER TROLLEY 406
- 27) DOUBLE GIRDER TROLLEY WHEEL SET 6/1
- 28) TRAVELLING MOTOR
  - 28.1) For NHT and LHT monorail hoist
  - 28.2) For birail hoist
- 29) ELECTRIC PARTS
- 30) MOUNTING AND CHOOSING THE CAME SELECTOR

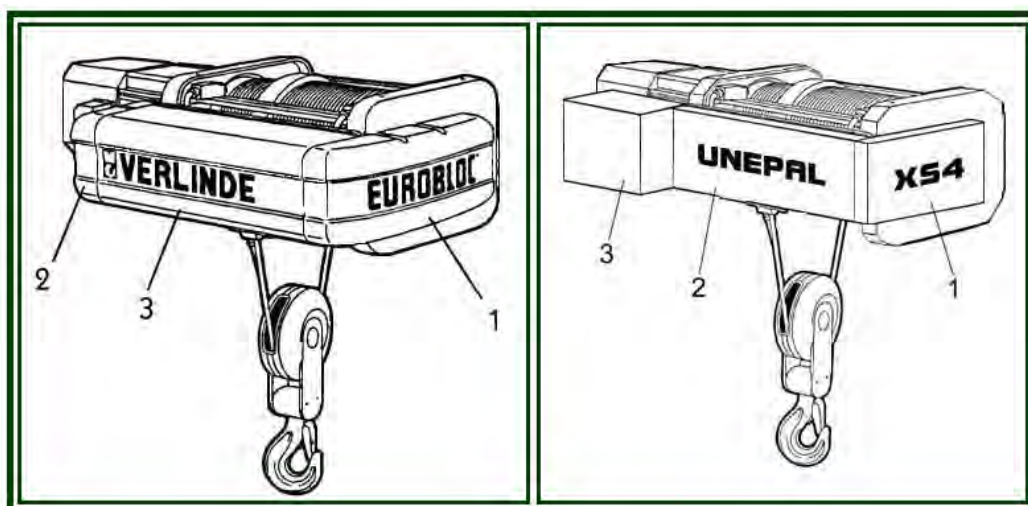
# 0) VS hoist codification

ABREVIATIONS		ABBREVIATIONS	
(Palan) Fixe	F	Foot Mounted hoist	FM
Chariot à Hauteur Perdue Normale	HPN	Normal Headroom Trolley	NHT
Chariot à Hauteur Perdue Réduite	HPR	Low Headroom Trolley	LHT

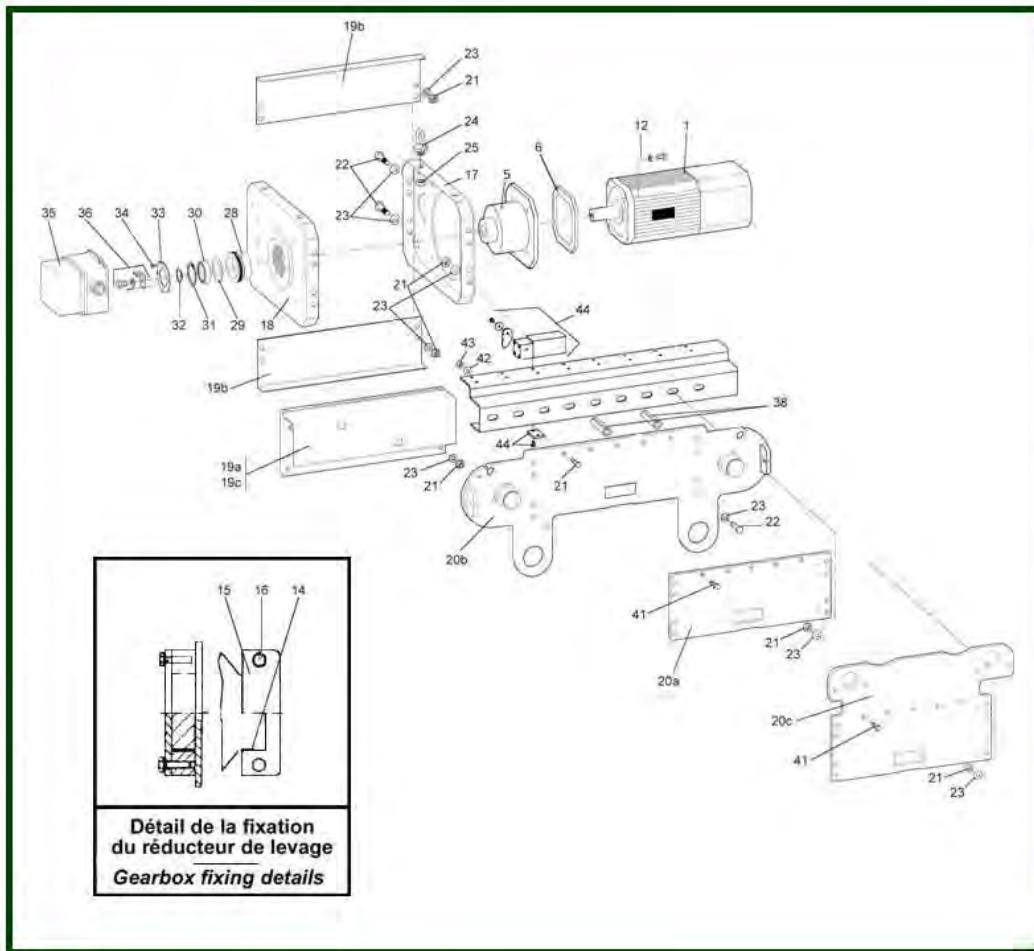
CODIFICATION DES PALANS VS / VS HOIST CODIFICATION												
PALAN VS												
TAILLE DU CHASSIS												
VS	2	1, 2, 3, 4, 5, 6										
	04 1 1	MOUFLAGE	Nombre de brins / Sorties de câbles au tambour / Nombre de « crochets »									
		5	GROUPE ISO	4 = 1Am	5 = 2m	6 = 3m	7 = 4m	X = Spécial				
			R 20	CHARIOT (*) / LARGEUR DE FER (**)								
				<ul style="list-style-type: none"> <li>(*) R = HPR</li> <li>N = HPN</li> <li>P = Birail parallèle</li> <li>C = Birail perpendiculaire</li> <li>F = Fixe posé</li> <li>X = Spécial</li> </ul>			<ul style="list-style-type: none"> <li>(**) Monorail</li> <li>10 = 80...100</li> <li>15 = 100...150</li> <li>20 = 151...250</li> <li>25 = 201...250</li> <li>30 = 251...300</li> <li>35 = 301...350</li> <li>40 = 351...400</li> <li>45 = 401...450</li> </ul>			<ul style="list-style-type: none"> <li>Birail</li> <li>09 = 900</li> <li>14 = 1400</li> <li>17 = 1700</li> <li>20 = 2000</li> <li>24 = 2400</li> <li>27 = 2700</li> <li>31 = 3100</li> </ul>		
			A	LONGUEUR DE CHASSIS / HAUTEUR DE LEVAGE								
				A, B, C, D, E, F, G, H, J, K, L, M, N								
VS	2	04 1 1	5	R 20	A	N	N2	23 5	SE 5	+	25	N
REDUCTEUR / VITESSE												
L = Lent    N = Normal    R = Rapide    X = Spécial												
MOTEUR												
N (1, 2, 3, 4, 5) = 2 vitesses H (2, 3, 4) = Service lourd F (3, 4, 5, 6) = Variation de vitesse X = Spécial (1 = 1,9 kW, 2 = 3,5 kW, 3 = 7,5 kW, 4 = 15 kW, 5 = 30 kW)												
TENSION D'ALIMENTATION												
23 5 = 230V / 50 Hz 40 5 = 400V / 50 Hz 41 5 = 415V / 50 Hz												
EQUIPEMENT ELECTRIQUE												
S = Palan solo K = Palan pour kit C = Classic E = Europe H = Hi-tronic 4 = IP 54 5 = IP 55 X = Spécial												
LIMITEUR DE CHARGE												
L = Limiteur seul M = Monitor + = Limiteur + monitor												
DIRECTION												
16 = 16/4 20 = 20/5 25 = 25/6,3 NO = Non CH = Chaîne XX = Spécial												
CONCEPTION SPECIALE												
N = Non M = Mécanique E = Electrique D = Divers												

## 1) Cover



item	reference	description	observation	Quantity
1	<a href="#">1145021</a>	Cover		1
1	<a href="#">S4FAB03B</a>	Cover - Opposite motor side	* VS4...B et D - XS5 - Longueur de chassis / Length of the frame B et D	1
2	<a href="#">S4FAB04B</a>	Cover - Motor side	* VS406 seulement	1
3	<a href="#">S4FAB01B</a>	Side cover - Lg B	* N.C.	1
3	<a href="#">S4FAD01B</a>	Side cover - Lg D	Longueur de chassis / Length of the frameD	1
3	<a href="#">S4FAE02B</a>	Side cover - Lg E		1
3	<a href="#">S4FAF02B</a>	Side cover - Lg F	Longueur de chassis / Length of the frame F	1
3	<a href="#">S4FAG02B</a>	Side cover - Lg G	Longueur de chassis / Length of the frame G	1
-	<a href="#">830924</a>	CHC screw 6 x 12		1
-	<a href="#">1155034</a>	Cubicle extension - Lg E	VS4...E - VS5...E	1
-	<a href="#">VSSF015A</a>	Cubicle extension - Lg F	* VS4...F	1
-	<a href="#">VSSG015A</a>	Cubicle extension - Lg G	* VS4...G	1
-	<a href="#">NCPE</a>	Electric PC board		1
-	<a href="#">7231061Z</a>	Flat washer 6	Frein manuel-Frein automatique / Manuel brake-Automatic brake	1
-	<a href="#">1145023</a>	Load limiter		1
=	<a href="#">1145030</a>	Electric cubicle	VS4...B	1
=	<a href="#">1145130</a>	Electric cubicle	VS4...D/E/F/G - VS5...D	1

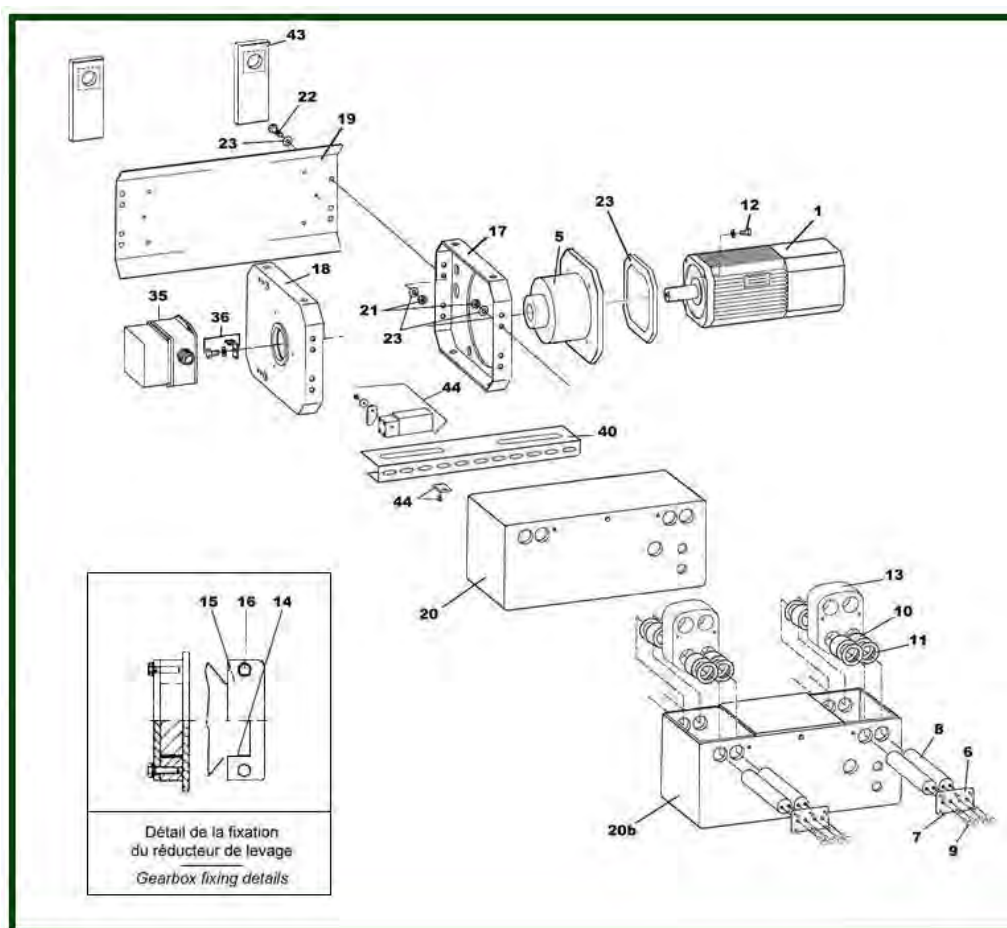
## 2) Frame



item	reference	description	observation	Quantity
1	<a href="#">1147006</a>	Complete motor 400V/50Hz - 7,5/1,2Kw		1
1	<a href="#">1147008G3</a>	Hoising Motor	VS4...G3	1
1	<a href="#">1137002</a>	Motor 230V/50Hz - 7,5/1,2Kw	VS3...N3	1
1	<a href="#">1147002</a>	Motor 230V/50Hz - 15/2,5 Kw	N4	1
1	<a href="#">1137004</a>	Motor 380V/50Hz - 440V/60Hz - 7,5/1,2Kw	VS3...N3	1
1	<a href="#">1147004</a>	Motor 380V/50Hz - 440V/60Hz - 15/2,5 Kw	N4	1
1	<a href="#">1137006</a>	Motor 400V/50Hz - 7,5/1,2Kw	VS3...D3 - Frein manuel / Manual brake	1
1	<a href="#">1137001</a>	Motor 400V/50Hz - 460V/60Hz - 7,5/1,2kw	VS3...N3	1
1	<a href="#">1147010</a>	Motor 400V/50Hz - 460V/60Hz - 7.5/2.5kw	VS4 L4 - 1500/500 TR/min	1
1	<a href="#">1147001</a>	Motor 400V/50Hz - 460V/60Hz - 15/2,5 Kw	N4	1
1	<a href="#">1137003</a>	Motor 400V/50Hz - 460V/60Hz - 15/2,5 Kw	VS3...N3	1
1	<a href="#">1147003</a>	Motor N4 - 400V/50Hz - 460V/60Hz - 15/2,5 Kw	N4	1
5	<a href="#">1147502</a>	Gear box	VS4...NN4 - 4G3300	1
5	<a href="#">1147503</a>	Gear box - 4G4400	VS4...RN4 - 4G4400	1
5	<a href="#">1147504</a>	Gear box - 4G4600	VS4...NN4 - 4G4600	1
6	<a href="#">1147550</a>	Gearbox covering plate	VS4...N3/F3	1
12	<a href="#">7215657F</a>	CHC screw M12x35	VS4 - VS5 - Moteur N4	1
12	<a href="#">7215557X</a>	Screw CHCM10x25		4
17	<a href="#">1145040</a>	End plate - Motor side		1
18	<a href="#">1145050</a>	End plate - Opposite motor side		1

19a	<u>1145017</u>	Side plate	VS4...F..B	1
19a	<u>1145117</u>	Side plate	VS4...F..D	1
19b	<u>1145051</u>	Side plate - Lg 646	(*) VS4...R....B	2
19b	<u>1145151</u>	Side plate - Lg 926	(*) VS4...R....D	1
19c	<u>1144514</u>	Side plate	VS4...N..B	1
19c	<u>1144614</u>	Side plate	VS4...N..D	1
20a	<u>1145011</u>	Side plate - Lg 646	(*) VS4...F...B	1
20a	<u>1145111</u>	Side plate - Lg 926	(*) VS4...F...D	1
20b	<u>1143511</u>	Side plate	(*) VS4...R....B	1
20b	<u>1143611</u>	Side plate	(*) VS4...R....D	1
20c	<u>1144517</u>	Side plate NHT - Lg 646	(*) VS4...N...B	1
20c	<u>1144617</u>	Side plate NHT - Lg 926	(*) VS4...N...D	1
21-22-25	<u>831598</u>	Nylstop nut M18	C1 - HPN/NHT	16
23	<u>7151642Z</u>	M16 Washer		32
24	<u>1140006</u>	Lifting hook	Fixe (2) - HPN (4) - HPR (1)	1
25	<u>831521</u>	M18 nut	HPN/NHT	2
28	<u>1145038</u>	Housing bearing		1
29	<u>8130095</u>	Nylos Ring		1
30	<u>8110074</u>	Bearing		1
31	<u>400080</u>	Retaining ring for bore - Ø 90x3		1
32	<u>400079</u>	Outer circlip		1
33	<u>1145039</u>	Adjusting plate		1
34	<u>830924</u>	CHC screw 6 x 12		4
35	<u>NCSACd99</u>	Hoisting limit switch	Since 12/99	1
36	<u>1144020</u>	Driving part assy	Depuis / Since 01/12/99	1
38	<u>8150083</u>	Mecani.dowel	VS4...B...D	5
39-42	<u>831504</u>	Brake washer AZ M8	VS4...B...D - VS5....D/E	5
40	<u>1141026</u>	Limit switch rail - Lg 570	VS4...B	1
40	<u>1141126</u>	Limit switch rail - Lg 793	VS4....D	1
41	<u>550978</u>	Screw CHC M8X70	VS4...B...D	5
43	<u>7232080G</u>	GROWER washer - Ø 8		5
44	<u>1113113</u>	Limit switch	Jusqu'à / To 30/11/99	2

### 3) 406 host frame



item	reference	description	observation	Quantity
1	<a href="#">1147006</a>	Complete motor 400V/50HZ - 7,5/1,2Kw		1
1	<a href="#">1147008G3</a>	Hoising Motor	VS4...G3	1
1	<a href="#">1137002</a>	Motor 230V/50Hz - 7,5/1,2Kw	VS3...N3	1
1	<a href="#">1147002</a>	Motor 230V/50Hz - 15/2,5 Kw	N4	1
1	<a href="#">1137004</a>	Motor 380V/50Hz - 440V/60Hz - 7,5/1,2Kw	VS3...N3	1
1	<a href="#">1147004</a>	Motor 380V/50Hz - 440V/60Hz - 15/2,5 Kw	N4	1
1	<a href="#">1137006</a>	Motor 400V/50Hz - 7,5/1,2Kw	VS3...D3 - Frein manuel / Manual brake	1
1	<a href="#">1137001</a>	Motor 400V/50Hz - 460V/60Hz - 7,5/1,2Kw	VS3...N3	1
1	<a href="#">1147010</a>	Motor 400V/50Hz - 460V/60Hz - 7.5/2.5kw	VS4 L4 - 1500/500 TR/min	1
1	<a href="#">1147001</a>	Motor 400V/50Hz - 460V/60Hz - 15/2,5 Kw	N4	1
1	<a href="#">1137003</a>	Motor 400V/50Hz - 460V/60Hz - 15/2,5 Kw	VS3...N3	1
1	<a href="#">1147003</a>	Motor N4 - 400V/50Hz - 460V/60Hz - 15/2,5 Kw	N4	1
5	<a href="#">1147502</a>	Gear box	VS4...NN4 - 4G3300	1
5	<a href="#">1147503</a>	Gear box - 4G4400	VS4...RN4 - 4G4400	1
5	<a href="#">1147504</a>	Gear box - 4G4600	VS4...NN4 - 4G4600	1
6	<a href="#">V4NAP65A</a>	Locking plate - NHT 406		2
7	<a href="#">830205</a>	Securing screw for brake bar HM 8 x 25		16
8	<a href="#">V4NAP64A</a>	Shaft		4
9	<a href="#">830425</a>	HM screw 12 x 30		8
10	<a href="#">V4NAP68A</a>	Sleeve		10

11	<a href="#">8150019</a>	Washer - 68 x 55 x 1	SP55X68X2 DIN988 - VS402...R - 1AM/2M/3M	1
12	<a href="#">7215657F</a>	CHC screw M12x35	VS4 - VS5 - Moteur N4	4
12	<a href="#">7215557X</a>	Screw CHCM10x25		4
13	<a href="#">V4NAP67A</a>	Suspension crossmember < 500 mm	Nous consulter / Consult us - Pièces à la commande / Parts on order	2
13	<a href="#">V4NAP66A</a>	Suspension crossmember > 350 mm	Nous consulter / Consult us - Pièces à la commande / Parts on order	2
14	<a href="#">95118201</a>	Plastic cap		2
15	<a href="#">1151036</a>	Gearing fixing plate		2
16	<a href="#">830301</a>	Screw HM 10X20	VS4...N3/F3	2
17	<a href="#">V4FAA60A</a>	End plate - Motor side		1
18	<a href="#">V4FAB60A</a>	End plate - Opposite motor side		1
19	<a href="#">V4BA11EA</a>	Side Plate - 6 falls - Length E	(* VS406...E (1429)	1
19	<a href="#">V4BA11FA</a>	Side Plate - 6 falls - Length F	(* VS406...F (1729)	1
19	<a href="#">V4BA11GA</a>	Side Plate - 6 falls - Length G	(* VS406...G (2029)	1
20	<a href="#">V4BAP6EA</a>	Load side plate fix mounted - 6 falls - Length E	(* VS406...E (1429)	1
20	<a href="#">V4BAP6FA</a>	Load side plate fix mounted - 6 falls - Length F	(* VS406...F (1729)	1
20	<a href="#">V4BAP6GA</a>	Load side plate fix mounted - 6 falls - Length G	(* VS406...G (2029)	1
20b	<a href="#">V4NAP6EA</a>	Load side plate HPN - 6 falls - Length E	(* VS406...E (1429)	1
20b	<a href="#">V4NAP6FA</a>	Load side plate HPN - 6 falls - Length F	(* VS406...F (1729)	1
20b	<a href="#">V4NAP6GA</a>	Load side plate HPN - 6 falls - Length G	(* VS406...G (2029)	1
21	<a href="#">831598</a>	Nylstop nut M18	C1 - HPN/NHT	16
22	<a href="#">830318</a>	HM Screw 16 X 60		16
23	<a href="#">7151642Z</a>	M16 Washer		32
24	<a href="#">1140006</a>	Lifting hook	Fixe (2) - HPN (4) - HPR (1)	4
25	<a href="#">831521</a>	M18 nut	HPN/NHT	2
28	<a href="#">1145038</a>	Housing bearing		1
29	<a href="#">8130095</a>	Nylos Ring		1
30	<a href="#">8110074</a>	Bearing		1
31	<a href="#">700080</a>	Circlip		1
32	<a href="#">400079</a>	Outer circlip		1
33	<a href="#">1145039</a>	Adjusting plate		1
34	<a href="#">830924</a>	CHC screw 6 x 12		3
35	<a href="#">NCSACd99</a>	Hoisting limit switch	Since 12/99	1
36	<a href="#">1144020</a>	Driving part assy	Depuis / Since 01/12/99	1
38	<a href="#">7232080G</a>	GROWER washer - Ø 8		7
39	<a href="#">7211454N</a>	Screw		7
40	<a href="#">1151126</a>	Limit switch rail - Lg 1430	VS406...E et F - VS5...E	1
40	<a href="#">7X1A01FB</a>	Limit switch rail - Lg 1735	VS406...G	1
43	<a href="#">V4NB601A</a>	Locking plate support		2
44	<a href="#">1113113</a>	Limit switch	Jusqu'à / To 30/11/99	1

## 4) Rope drum

VS 4 OB	VS 4 OB	Longueur à couper Lenght to be cut	Code câble Rope reference
1/1	1 Fall	38,700	<b>9</b>
2/1 Birail	2/1 Crab trolley	37,000	<b>10</b>
2/1 Fixe / Hpn	2/1 fixed / normal headroom	37,000	<b>10</b>
2/1 HPR	2/1 low headroom	37,000	<b>10</b>
4/1 Birail	4/1 crab trolley	39,000	<b>10</b>
4/1 Fixe / Hpn	4/1 fixed / normal headroom	39,000	<b>10</b>
4/1 HPR	4/1 low headroom	38,500	<b>10</b>
2/1 Boggie	2/1 swivelling trolley	37,000	<b>10</b>
4/1 Boggies	4/1 swivelling trolley	39,000	<b>10</b>
4/2 HPRC9	4/2 low headroom C9	2X22,400	<b>11</b>
4/2 Fixe C9	4/2 fixed C9	2X21,800	<b>11</b>
VS 4 OD	VS 4 OD	Longueur à couper Lenght to be cut	Code câble Rope reference
1/1	1 Fall	55,000	<b>9</b>
2/1 Birail	2/1 Crab trolley	56,000	<b>10</b>
2/1 Fixe / Hpn	2/1 fixed / normal headroom	56,000	<b>10</b>
2/1 HPR	2/1 low headroom	56,000	<b>10</b>
4/1 Birail	4/1 crab trolley	58,000	<b>10</b>
4/1 Fixe / Hpn	4/1 fixed / normal headroom	58,000	<b>10</b>
4/1 HPR	4/1 low headroom	57,500	<b>10</b>
2/1 Boggie	2/1 swivelling trolley	58,000	<b>10</b>
4/1 Boggie	4/1 swivelling trolley	58,000	<b>10</b>
2/1 HPR C9	2/1 low headroom C9	77,000	<b>N.C</b>
4/2 HPRC9	4/2 low headroom C9	2X34,000	<b>11</b>
2/1 HPRC7	2/1 low headroom C7	94,000	<b>N.C</b>
2/1 C9	2/1 câble Ø 9	77,00	<b>N.C</b>
VS406	VS406	Longueur à couper Lenght to be cut	Code câble Rope reference
VS406 LG E	6/1	64,500	<b>10</b>
VS406 LG F	6/1	83,500	<b>10</b>
VS406 LG G	6/1	106,400	<b>10</b>

N.C : Nous consulter / Please consult us

item	reference	description	observation	Quantity
1	<a href="#">VS40154D</a>	Rope drum 1F - Lg 935 mm - P7,8	VS402...VLN3	1
1	<a href="#">VS40158D</a>	Rope drum 1F - Lg 935 mm - P9,9	VS402...YLN3	1
1	<a href="#">1140402B</a>	Rope drum 2F - Lg 655 mm - P9,9	VS4042...B	1
1	<a href="#">1140402D</a>	Rope drum 2F - Lg 935 mm - P9,9	VS4042...D	1
1	<a href="#">1140500</a>	Rope drum - Lg 655 mm	VS4.....B	1
1	<a href="#">1140600</a>	Rope drum - Lg 935 mm	VS4.....D	1
1	<a href="#">1140700</a>	Rope drum - Lg 1430 mm	VS4.....E	1
1	<a href="#">1140800</a>	Rope drum - Lg 1735 mm	VS4.....F	1
1	<a href="#">1140900</a>	Rope drum - Lg 2035 mm	VS4.....G	1
2	<a href="#">1140560</a>	Complete rope guide - Ø 7 mm - P7.8 - Right	VS4...V - 2/1	1
2	<a href="#">1140570</a>	Complete rope guide - Ø 9 mm - P9.9 - Right	VS4.... 4/2 - VS402 ...Y	1

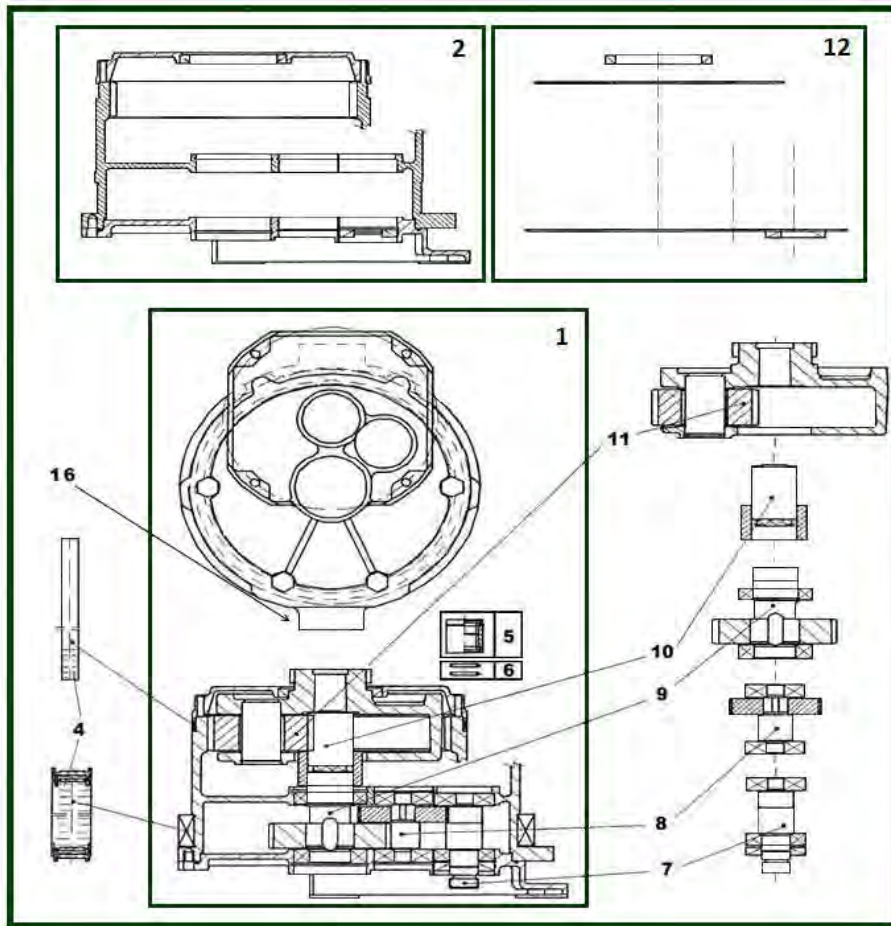


2	<u>1140540</u>	Complete rope guide - Ø 13 mm	VS4...B/D - 2/1 - 4/1 - 6/1	1
2	<u>1140571</u>	Rope guide complete - Ø 9mm - P9.9 - Left	VS4.... 4/2	1
3	<u>32332002</u>	Spring		1
4	<u>1141014</u>	Support arm + screws		1
5	<u>7215564E</u>	Screw CHCM 10x70		2
5	<u>32332001</u>	Spring		2
6	<u>12133001</u>	Rope anchor on drum	VS2-VS4	5
7	<u>7215555V</u>	BTR screw 10 x 25		5
8	<u>7232100D</u>	GROWER washer M10	DIN12 Standard - Frein automatique/Automatic brake	5
9	<u>1141042</u>	Antigratory rope - Ø 13 mm	VS401...BR	1
10	<u>1131142</u>	Compact rope - Ø 9 mm	VS304, VS302 et VS306 - VS4 OB, VS4 OD	1
10	<u>1141143</u>	Compact rope - Ø 13 mm	VS402/4/6...BR	1

## 4.1) Precut rope

item	reference	description	observation	Quantity
	<u>53044759</u>	Compact rope - Ø 7 mm 17X7-B-LHL-40.4	Lg 37m	1
	<u>53044763</u>	Compact rope - Ø 7 mm 17X7-B-LHL-40.4	Lg 38m	1
	<u>53044765</u>	Compact rope - Ø 7 mm 17X7-B-LHL-40.4	Lg 46m	1
	<u>53043542</u>	Compact rope - Ø 9 mm 9X17-B-LHL-68.5	Lg 37m	1
	<u>53043513</u>	Compact rope - Ø 9 mm 9X17-B-LHL-68.5	Lg 20m	1
	<u>53043540</u>	Compact rope - Ø 9 mm 9X17-B-LHL-68.5	Lg 36m	1
	<u>53043561</u>	Compact rope - Ø 9 mm 9X17-B-LHL-68.5	Lg 38m	1
	<u>53043569</u>	Compact rope - Ø 9 mm 9X17-B-LHL-68.5	Lg 39m	1

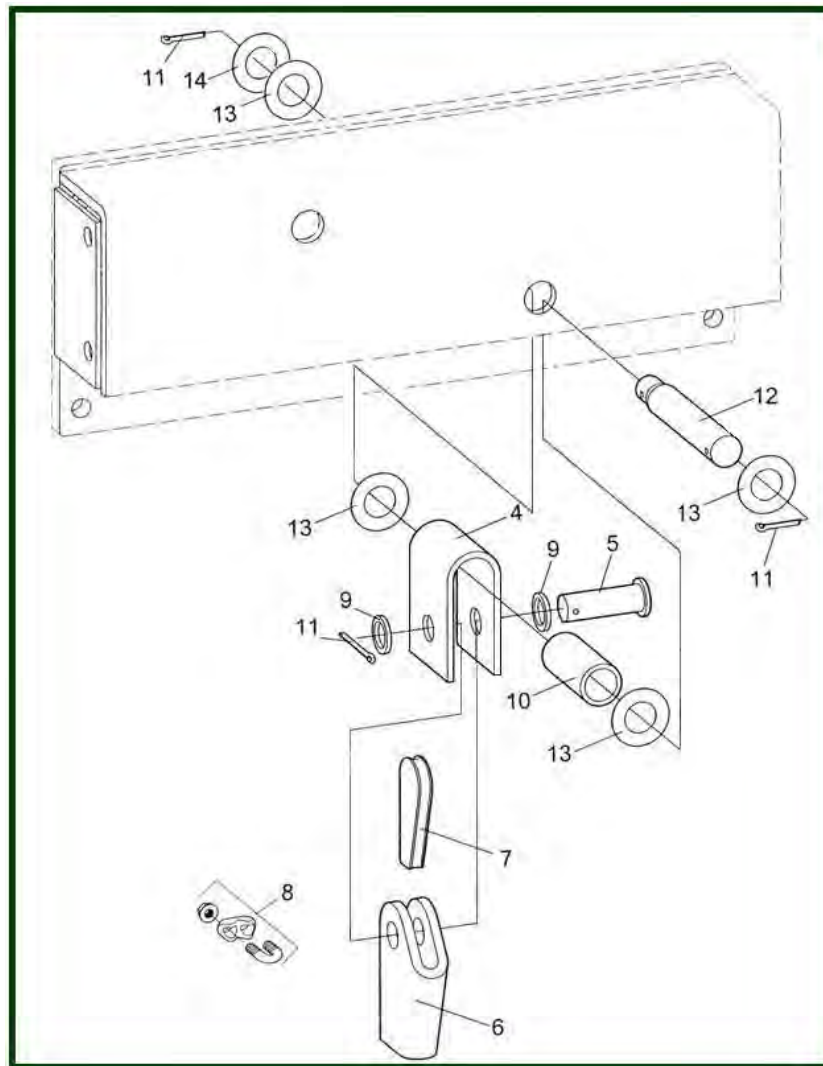
## 5) Gear



item	reference	description	observation	Quantity
1	<a href="#">1147502</a>	Gear box	VS4...NN4 - 4G3300	1
1	<a href="#">1147503</a>	Gear box - 4G4400	VS4...RN4 - 4G4400	1
1	<a href="#">1147504</a>	Gear box - 4G4600	VS4...NN4 - 4G4600	1
2	<a href="#">P4G0005</a>	Gear housing	VS4...LN3	1
2	<a href="#">P4G0007</a>	Gear housing	VS4...RN4	1
2	<a href="#">S4G006A</a>	Gearn housing	VS4...NN4	1
4	<a href="#">S4G015A</a>	Bearing set	VS4...LN3/RN4	1
4	<a href="#">S4G016A</a>	Bearing set	VS4...NN4	1
5	<a href="#">P3G0008</a>	Coupling	VS3 N3 - VS4...LN3	1
5	<a href="#">P4G0013</a>	Coupling	VS4...RN4/NN4	1
6	<a href="#">P4G0016</a>	O-Ring	VS4...RN4/NN4	2
6	<a href="#">P3G0010</a>	Seal	VS3 N3 - VS4...LN3	2
7	<a href="#">P4G0017</a>	Primary shaft complete	VS4...LN3	1
7	<a href="#">S4G020A</a>	Primary shaft complete	VS4...NN4	1
7	<a href="#">P4G0019</a>	Primary shaft complete	VS4...RN4	1
8	<a href="#">P4G0021</a>	2nd gear complete	VS4...LN3	1
8	<a href="#">S4G024A</a>	2nd gear complete	VS4...NN4	1
8	<a href="#">P4G0022</a>	2nd gear complete	VS4...RN4	1
9	<a href="#">P4G0023</a>	3rd gear complete	VS4...L/N/R	1
10	<a href="#">P4G0024</a>	Coupling	VS4...L/N/R	1
11	<a href="#">P4G0025</a>	Planetary gear complete	VS4...L/N/R	1

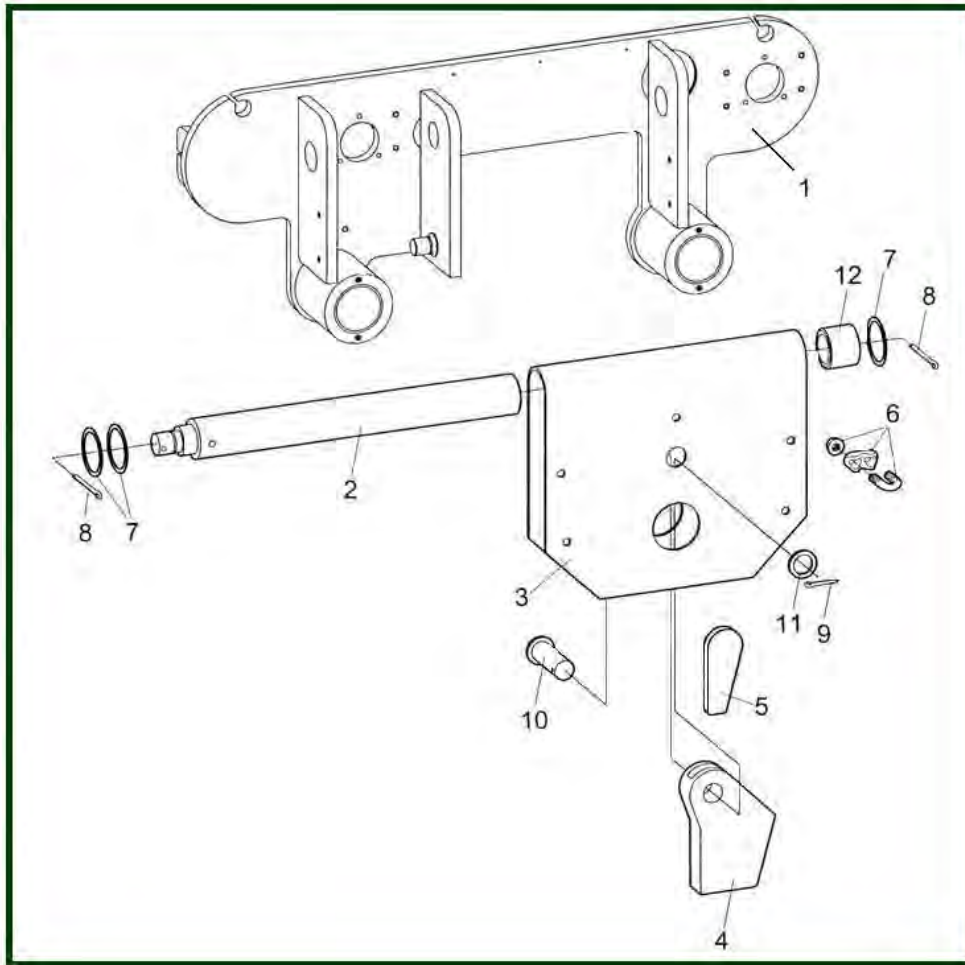
12	<u>P4G0026</u>	Seals	VS4...LN3/RN4	1
12	<u>P4G0028</u>	Seals	VS4...R/NN4	1
14	<u>1147550</u>	Gearbox covering plate	VS4...N3/F3	1
15	<u>830301</u>	Screw HM 10X20	VS4...N3/F3	4
16	<u>95118201</u>	Plastic cap		2

## 6) Rope anchorage suspension - 2 falls FM and NHT



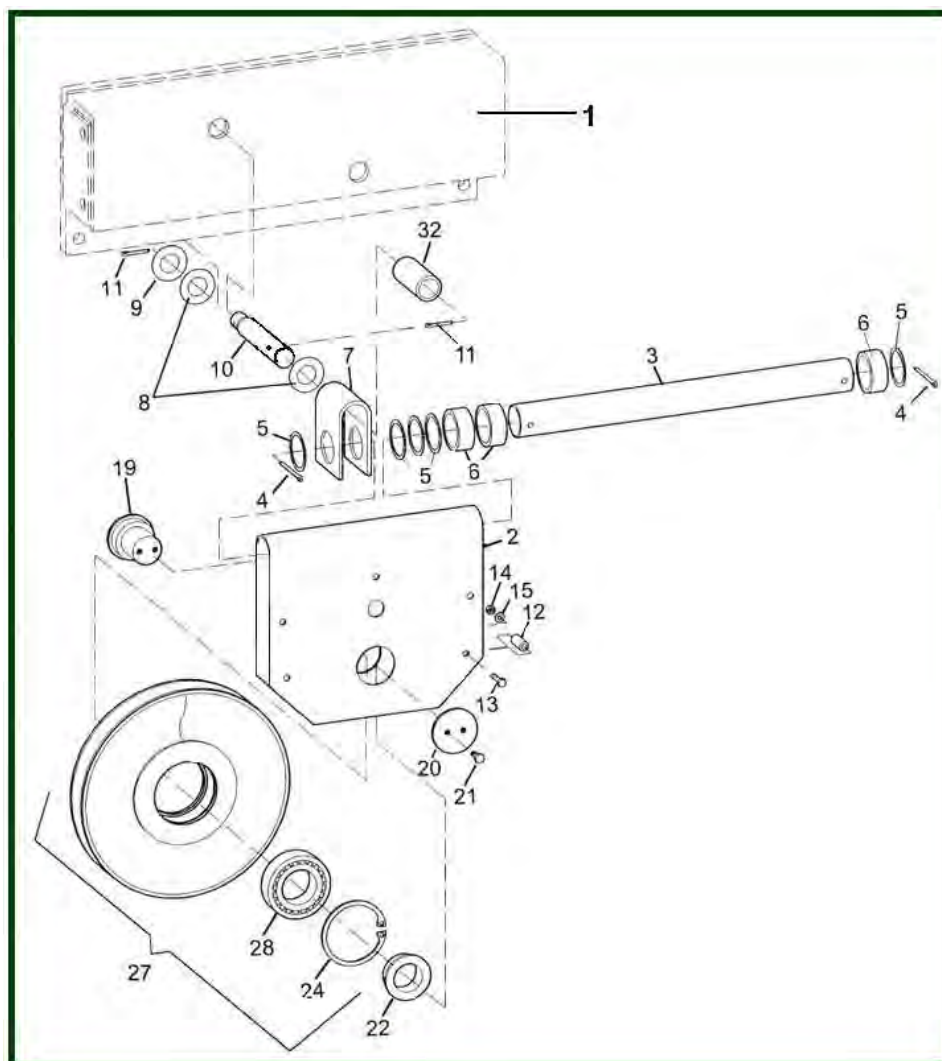
item	reference	description	observation	Quantity
1	<a href="#">1144514</a>	Side plate	VS4...N..B	1
1	<a href="#">1144614</a>	Side plate	VS4...N..D	1
2	<a href="#">1145017</a>	Side plate	VS4...F..B	1
2	<a href="#">1145117</a>	Side plate	VS4...F..D	1
4	<a href="#">1142634</a>	Support	FIXE/HPN 2/1	1
4	<a href="#">1142534</a>	Support	FIXE/HPN/HPR 4/1	1
5	<a href="#">1143515</a>	Pivot shaft		1
6	<a href="#">8536132E</a>	Key housing	Câble / cable - Ø 13	1
7	<a href="#">8536233Q</a>	Key		1
8	<a href="#">7333140E</a>	Rope clamp - Ø 14		1
9	<a href="#">832113</a>	Washers M24 - 2mm	C2	2
10	<a href="#">1142549</a>	Sleeve		1
11	<a href="#">7271633Z</a>	Split pin 6.3 x 56		4
12	<a href="#">1145015</a>	Shaft		1
13	<a href="#">8150016</a>	Washer - Ø 33		5
14	<a href="#">8150017</a>	Washer - Ø 16		4
-	<a href="#">1152532</a>	Plastic sleeve		1

## 7) Rope sheave unit - 2 falls - LHT



item	reference	description	observation	Quantity
1	<a href="#">1143514</a>	Rope anchorage suspension	VS402...RB	1
1	<a href="#">1143614</a>	Rope anchorage suspension	VS402...RD	1
2	<a href="#">1143518</a>	Beam		1
3	<a href="#">94134501</a>	Support	VS404..4..R VS404..5/6..R	1
4	<a href="#">8536132E</a>	Key housing	Câble / cable - Ø 13	1
5	<a href="#">8536233Q</a>	Key		1
6	<a href="#">7333140E</a>	Rope clamp - Ø 14		1
7	<a href="#">8150019</a>	Washer - 68 x 55 x 1	SP55X68X2 DIN988 - VS402...R - 1AM/2M/3M	3
8	<a href="#">7271804K</a>	Split pin	8 x 70	1
9	<a href="#">8150095</a>	Split pin		2
10	<a href="#">1143515</a>	Pivot shaft		1
11	<a href="#">832113</a>	Washers M24 - 2mm	C2	1
12	<a href="#">1143521</a>	Bushing	VS402...R - 1AM/2M/3M	1

## 8) Rope sheave unit - 4 falls - FM and NHT

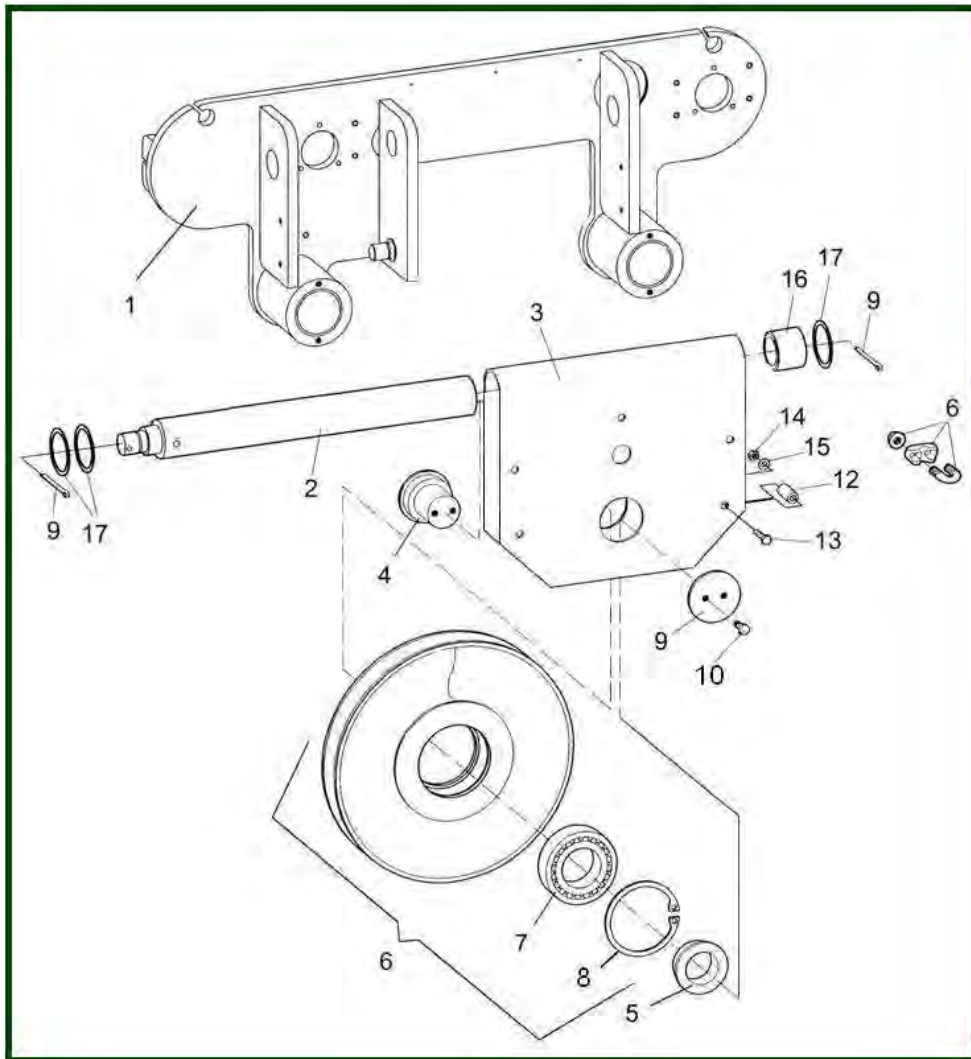


item	reference	description	observation	Quantity
1	<a href="#">1145017</a>	Side plate	VS4...F..B	1
1	<a href="#">1144514</a>	Side plate	VS4...N..B	1
1	<a href="#">1144614</a>	Side plate	VS4...N..D	1
1	<a href="#">1145117</a>	Side plate	VS4...F..D	1
2	<a href="#">94134501</a>	Support	VS404..4..R VS404..5/6..R	1
3	<a href="#">1142518</a>	Beam		1
4	<a href="#">8150091</a>	Split pin 8x70		2
5	<a href="#">8150019</a>	Washer - 68 x 55 x 1	SP55X68X2 DIN988 - VS402...R - 1AM/2M/3M	5
6	<a href="#">1142521</a>	Sleeve		3
7	<a href="#">1142547</a>	Support part	VS4042...FOOB	1
8	<a href="#">8150016</a>	Washer - Ø 33		4
9	<a href="#">8150017</a>	Washer - Ø 16		2
10	<a href="#">1145015</a>	Shaft		1
11	<a href="#">7271633Z</a>	Split pin 6.3 x 56		3
12	<a href="#">4751650</a>	Spring pin	VS5.....D/E - 1AM - 2M/3M	3
13	<a href="#">83030</a>	HM screw 10 x 70	1 AM - 2M/3M	3
14	<a href="#">831507</a>	Nut HM10	PRC2/3 - 1AM - 2M/3M	3

15	<u>7232100D</u>	GROWER washer M10	DIN12 Standard - Frein automatique/Automatic brake	3
19	<u>1132606</u>	Pulley Shaft	2/3M - VS404..5/6..R	1
19	<u>1142506</u>	Shaft	VS404..4..R 2/3M	1
20	<u>1132609</u>	Locking plate	2/3M	1
21	<u>830201</u>	Exterior circlip	C3	2
22	<u>1142503</u>	Bushing	2M/3M	1
22	<u>1132603</u>	Sleeve	2/3M	1
24	<u>8150081</u>	Circlip	2/3M-VS404..5/6..R - 2/3M	1
24	<u>8130086</u>	Circlip		1
27	<u>1142520</u>	Complete pulley with bearing D266	1AM	1
27	<u>1142620</u>	Complete pulley with bearing - Ø 330	2/3M	1
28	<u>7422211K</u>	Bearing	2/3M	1
28	<u>8130072</u>	Bearing		1
32	<u>1142549</u>	Sleeve		1



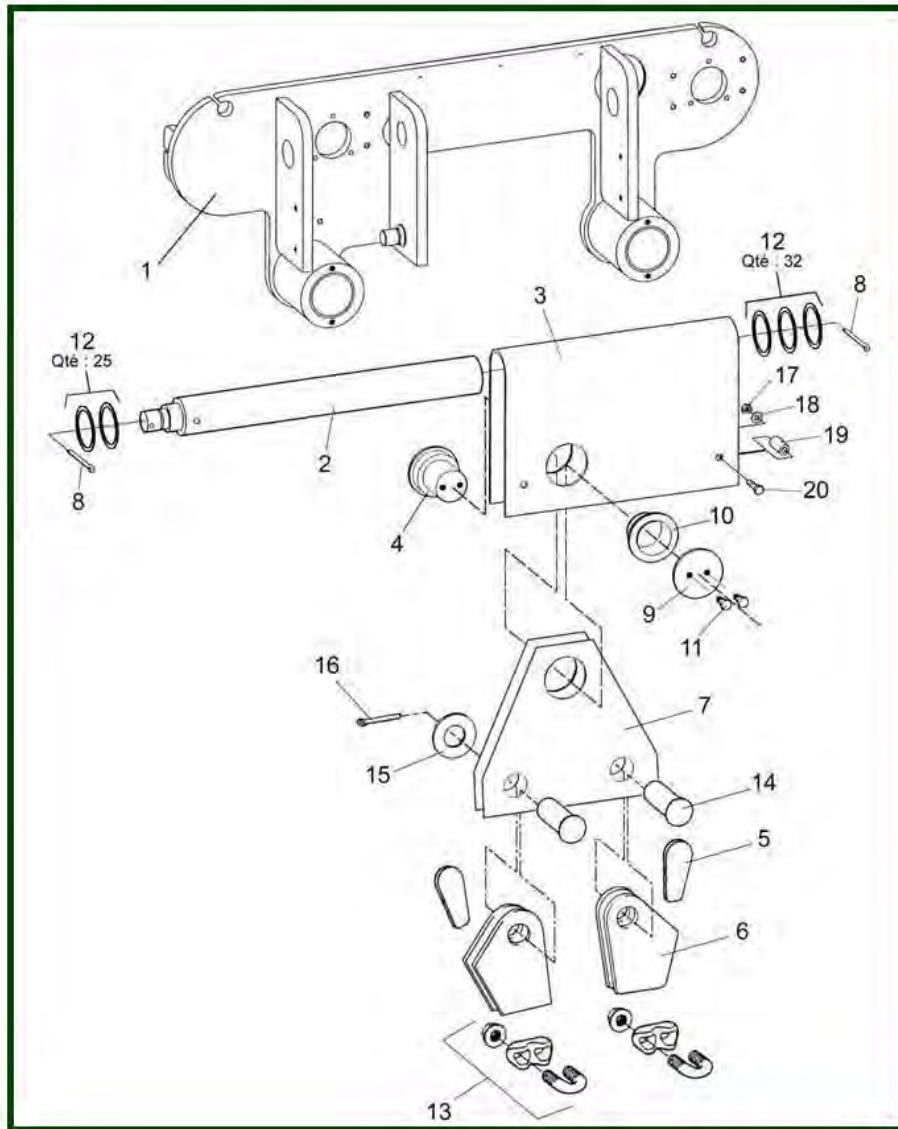
## 9) Rope sheave unit - 4 falls - LHT



item	reference	description	observation	Quantity
1	<a href="#">1142505</a>	Rope sheave unit	VS404..4..R	1
1	<a href="#">1142605</a>	Rope sheave unit	VS404..5/6..R	1
2	<a href="#">1142518</a>	Beam		1
3	<a href="#">94134501</a>	Support	VS404..4..R VS404..5/6..R	1
4	<a href="#">1132606</a>	Pulley Shaft	2/3M - VS404..5/6..R	1
4	<a href="#">1142506</a>	Shaft	VS404..4..R 2/3M	1
5	<a href="#">7422211K</a>	Bearing	2/3M	1
5	<a href="#">8130072</a>	Bearing		1
6	<a href="#">8150081</a>	Circlip	2/3M-VS404..5/6..R - 2/3M	1
6	<a href="#">8130086</a>	Circlip		1
7	<a href="#">1142520</a>	Complete pulley with bearing D266	1AM	1
7	<a href="#">1142620</a>	Complete pulley with bearing - Ø 330	2/3M	1
8	<a href="#">7333140E</a>	Rope clamp - Ø 14		1
9	<a href="#">7271804K</a>	Split pin	8 x 70	1
10	<a href="#">1132503</a>	Sleeve	1Am	1
10	<a href="#">1132603</a>	Sleeve	2/3M	1
11	<a href="#">8150095</a>	Split pin		1

12	<u>4751650</u>	Spring pin	VS5....D/E - 1AM - 2M/3M	3
13	<u>830330</u>	HM screw 10 x 70	1AM - 2M/3M	3
14	<u>831507</u>	Nut HM10	PRC2/3 - 1AM - 2M/3M	3
15	<u>7232100D</u>	GROWER washer M10	DIN12 Standard - Frein automatique/Automatic brake	3
16	<u>1143521</u>	Bushing	VS402...R - 1AM/2M/3M	1
17	<u>8150019</u>	Washer - 68 x 55 x 1	SP55X68X2 DIN988 - VS402...R - 1AM/2M/3M	1
18	<u>1132609</u>	Locking plate	2/3M	1
19	<u>830201</u>	Exterior circlip	C3	2
-	<u>52699499</u>	Anchor point support	> 300mm	1

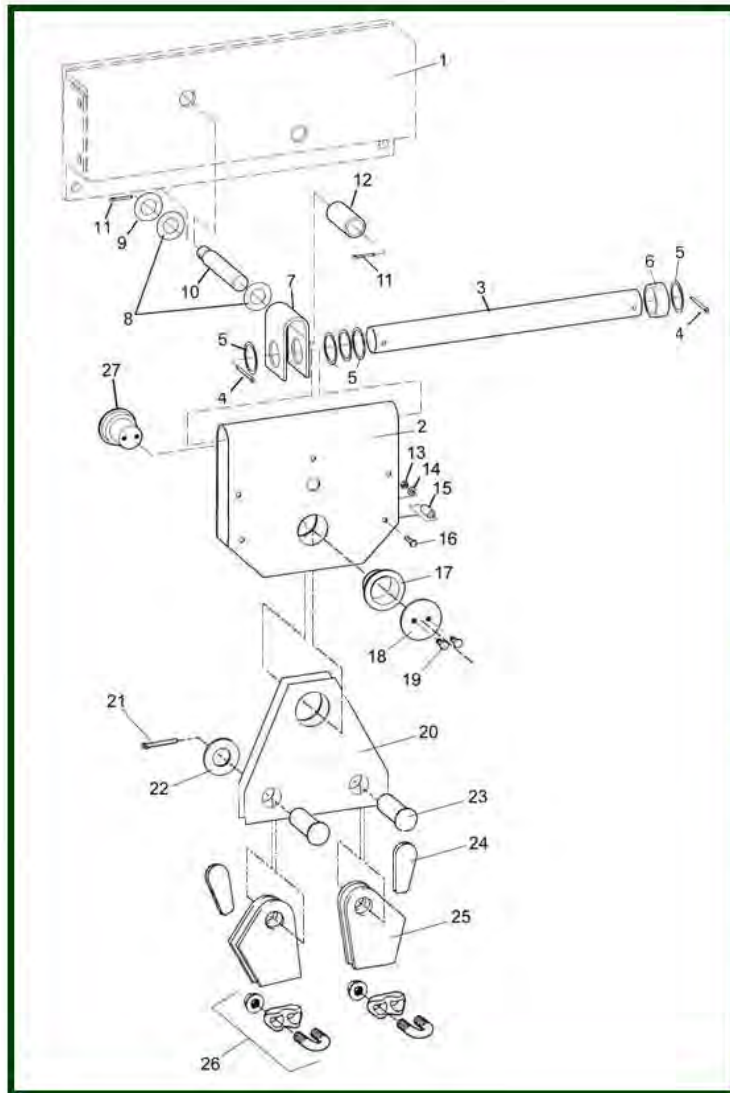
## 10) Rope encharge suspension true vertical LHT



item	reference	description	observation	Quantity
1	<a href="#">1143514</a>	Rope anchorage suspension	VS402...RB	1
1	<a href="#">1143614</a>	Rope anchorage suspension	VS402...RD	1
2	<a href="#">1143518</a>	Beam		1
3	<a href="#">94134501</a>	Support	VS404..4..R VS404..5/6..R	1
3	<a href="#">VS40226A</a>	Support plate for B drum		1
4	<a href="#">VS40183A</a>	Shaft		1
5	<a href="#">1132530</a>	Key		2
6	<a href="#">1132527</a>	Key housing		1
7	<a href="#">VS40185A</a>	Lifting beam		1
8	<a href="#">7271804K</a>	Split pin	8 x 70	1
9	<a href="#">1132609</a>	Locking plate	2/3M	1
10	<a href="#">VS40184A</a>	Sleeve		1
11	<a href="#">830201</a>	Exterior circlip	C3	2
12	<a href="#">8150019</a>	Washer - 68 x 55 x 1	SP55X68X2 DIN988 - VS402...R - 1AM/2M/3M	57
13	<a href="#">73331004</a>	Rope clamp		2

14	<u>1112515</u>	Anchor point shaft		1
15	<u>8110019</u>	Washer - Ø 20		3
16	<u>831656</u>	Split pin		2
17	<u>831507</u>	Nut HM10	PRC2/3 - 1AM - 2M/3M	1
18	<u>7232100D</u>	GROWER washer M10	DIN12 Standard - Frein automatique/Automatic brake	1
19	<u>4751690</u>	Spring pin		1
20	<u>830330</u>	HM screw 10 x 70	1AM - 2M/3M	1

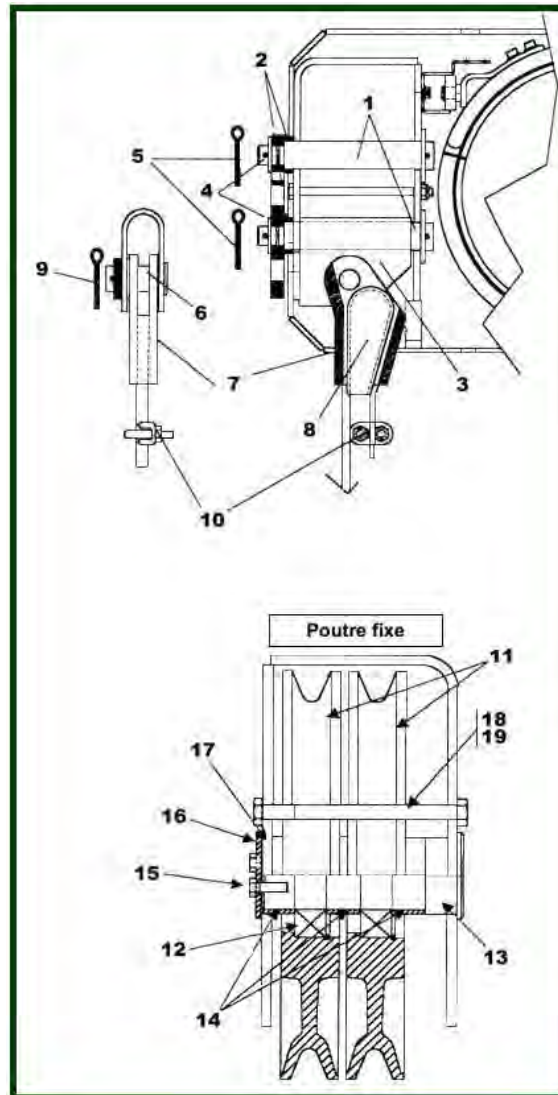
## 11) Rope enchainage suspension true vertical FM / NHT



item	reference	description	observation	Quantity
1	<a href="#">VS40180A</a>	Fix mounted Load side plate drum D	VS4042...F00D	1
1	<a href="#">1145017</a>	Side plate	VS4...F..B	1
2	<a href="#">94134501</a>	Support	VS404..4..R VS404..5/6..R	1
2	<a href="#">VS40226A</a>	Support plate for B drum		1
3	<a href="#">1142518</a>	Beam		1
4	<a href="#">7271804K</a>	Split pin	8 x 70	2
5	<a href="#">8150019</a>	Washer - 68 x 55 x 1	SP55X68X2 DIN988 - VS402...R - 1AM/2M/3M	6
6	<a href="#">1142521</a>	Sleeve		1
7	<a href="#">1142547</a>	Support part	VS4042...FOOB	1
7	<a href="#">NCCT</a>	Support part	VS4042...FOOD	2
8	<a href="#">8150016</a>	Washer - Ø 33		3
9	<a href="#">8150017</a>	Washer - Ø 16		1
10	<a href="#">1145015</a>	Shaft		1
11	<a href="#">7271633Z</a>	Split pin 6.3 x 56		2
12	<a href="#">1142549</a>	Sleeve		1
13	<a href="#">831507</a>	Nut HM10	PRC2/3 - 1AM - 2M/3M	2

14	<u>7232100D</u>	GROWER washer M10	DIN12 Standard - Frein automatique/Automatic brake	1
15	<u>4751690</u>	Spring pin		1
16	<u>830330</u>	HM screw 10 x 70	1AM - 2M/3M	1
17	<u>VS40184A</u>	Sleeve		1
18	<u>1132609</u>	Locking plate	2/3M	1
19	<u>830201</u>	Exterior circlip	C3	2
20	<u>VS40185A</u>	Lifting beam		1
21	<u>831656</u>	Split pin		1
22	<u>7231202C</u>	Washer		8
23	<u>112515</u>	Fixed point shaft		2
24	<u>1132530</u>	Key		1
25	<u>1132527</u>	Key housing		1
26	<u>7333080Q</u>	Bull dog grip - ø 8,5	DIN741-6.5	1
27	<u>VS40183A</u>	Shaft		1

## 12) Sheave unit and rope suspension hoist 406



item	reference	description	observation	Quantity
1	<a href="#">V4BAR01A</a>	Shaft		1
2	<a href="#">4BAR03A</a>	Sleeve		4
3	<a href="#">4BAR02A</a>	Fixed point support		1
4	<a href="#">8150017</a>	Washer - Ø 16		4
5	<a href="#">7271633Z</a>	Split pin 6.3 x 56		4
6	<a href="#">1143515</a>	Pivot shaft		1
7	<a href="#">8536132E</a>	Key housing	Câble / cable - Ø 13	1
8	<a href="#">8536233Q</a>	Key		1
9	<a href="#">7271505K</a>	Pin 5 x 50		1
10	<a href="#">7333140E</a>	Rope clamp - Ø 14		1
11	<a href="#">1142620</a>	Complete pulley with bearing - Ø 330	2/3M	2
12	<a href="#">7422211K</a>	Bearing	2/3M	1
13	<a href="#">4BAU01A</a>	Pulley Shaft		1
14	<a href="#">V4BAU05A</a>	Sleeve		3
15	<a href="#">830205</a>	Securing screw for brake bar HM 8 x 25		2
16	<a href="#">V3SAU02A</a>	Fixing plate		1

17	<u>400767</u>	Washer 68 x 55 x 1		1
18	<u>7211679f</u>	Screw HM12*160		2
19	<u>831510</u>	M12 thin nut		2
20	<u>832113</u>	Washers M24 - 2mm	C2	3



### 13) Overload protection FM, NHT, LHT (Elect. mech.)

**TABLEAU DE SYNTHESE DES LIMITEURS VS4/VSS/V306/V406**  
**SYNTHETIC TABLES FOR VS4/VSS/V306/V406 LIMITOR**

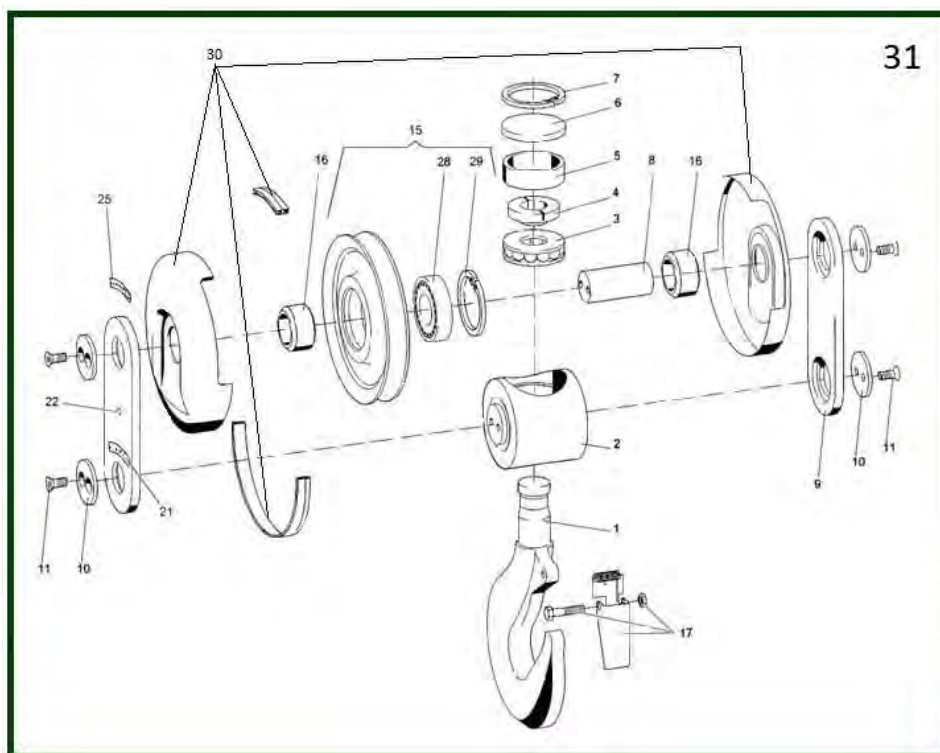
ANCIEN LIMITEUR (voir page...) OLD LIMITOR	NOUVEAU LIMITEUR (voir page...) NEW LIMITOR
1144500 VS404 HPR (44) *+ 1144501 VS402 HPR (42) *+ 1144602 VS404 HPN, Fixe (V5) *+ 1144502 VS402 HPN Fixe (2) +- 1154502 VS502/04 Fixe HPN (V6) *+	1144500 VS404 HPR (V4) 1144501 VS402 HPR (V2) 1144602 VS404 HPN, Fixe (V5) YLS002A VS306 Gr 2M/3M - VS402...V E E YLS003A VS306 Gr 1AM - VS402 Fixe - VS406 VS506

\* Les codes limiteurs sont restés les mêmes mais les composants ont changés (sauf limiteur mécanique 8111593).  
 Les nouveaux composants ne se montent pas sur les anciens produits. Les anciens limiteurs ne sont plus disponibles.  
 \* The part numbers of the load limiter devices remained the same but the components have changed (except for mechanical load  
 limiter device ref 8111593).  
 The new components don't fit the old devices. Old limitors are not sold anymore. # Le capteur à effet hall (1111510) n'est plus  
 disponible, dans ce cas il faut remplacer tout le limiteur.  
 (Utiliser VS402 fixe et HPN ou VSS02 fixe et HPN).  
 # The old sensor ref 1111510 is no longer available. In this case, the complete load limiter device has to be changed.  
 (Use VS402 foot mounted and normal headroom trolley or VSS02 Foot mounted and Normal headroom trolley).  
 + Les supports (1141500) limiteur mécanique ne sont plus disponible, dans ce cas il faut changer tout le limiteur. (valable pour tous  
 les VS4 et les VS5).  
 + The supports part n°1141500 for mechanical load limiters are no longer available. In this case, the complete load limiter has to be  
 changed, some VS4 AND VS5

EXEMPLE/EXAMPLE:  
 Pour commander un nouveau limiteur complet / To place an order for complete load limiter  
 Prendre la référence dans le tableau de droite +lot de capteur /Select the reference in the right table + limit switch set  
 (Pour VS404 HPR : avec capteur mécanique/For VS404 HPR with mechanical limit switch)  
 Ex : 1144500 + 1141550

item	reference	description	observation	Quantity
1	<u>1141550</u>	Mechanical sensor set	VS306/VS404/ 2/6	1
2	<u>8111593</u>	Limit switch		1
3	<u>1141520</u>	HALL sensor kit	VS306/VS404/ 2/6	1
4	<u>LP20UFR10</u>	HALL sensor kit		1
5	<u>1113547</u>	HALL sensor	HPR/LHT VS306/VS404 2/6 - Jusqu'à mars 1999 / To march 1999	1

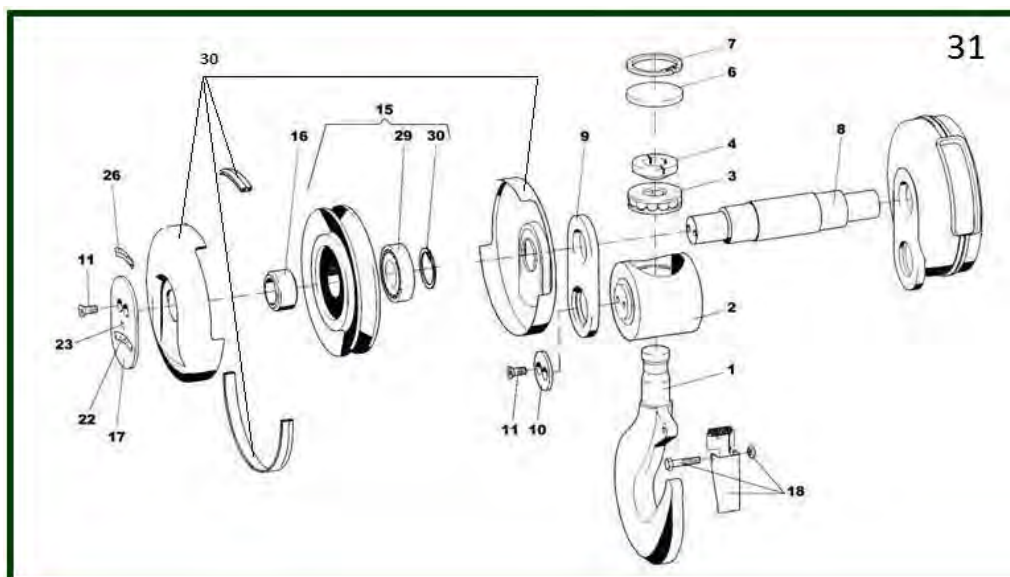
## 14) Lifting hook - 2 falls



item	reference	description	observation	Quantity
1	<a href="#">1132001</a>	Complete hook block n°2.5		1
1	<a href="#">1132101</a>	Complete hook RSN4	1AM-2/3AM Crochet + Linguet tôle / Hook + Steel plate safety latch	1
2	<a href="#">1132104</a>	Beam		1
2	<a href="#">1122004</a>	Beam		1
3	<a href="#">8150071</a>	Thrust bearing		1
3	<a href="#">8130071</a>	Thrust bearing		1
4	<a href="#">1132119</a>	Locking parts		1
4	<a href="#">1132019</a>	Locking parts		1
5	<a href="#">1132018</a>	Safety ring		1
6	<a href="#">1132105</a>	Beam cover		1
6	<a href="#">1132005</a>	Beam cover		1
7	<a href="#">7261070T</a>	Circlip		1
7	<a href="#">400080</a>	Retaining ring for bore - Ø 90x3		1
8	<a href="#">1152012</a>	Pulley shaft	2/3M	1
8	<a href="#">1132012</a>	Pulley shaft		1
9	<a href="#">1152035</a>	Flat bar	1AM	1
9	<a href="#">1132135</a>	Flat bar		2
10	<a href="#">1132116</a>	Locking plate		1
10	<a href="#">1112016</a>	Plate		1
11	<a href="#">7216403S</a>	Screw		8
15	<a href="#">1142520</a>	Complete pulley with bearing D266	1AM	1
15	<a href="#">1142620</a>	Complete pulley with bearing - Ø 330	2/3M	1
16	<a href="#">1152031</a>	Bush	1AM	2
16	<a href="#">1132131</a>	Bushing		2
17	<a href="#">33233003</a>	Safety catch N°2.5		1
17	<a href="#">33433003</a>	Safety latch n°4		1

21	<u>1142040</u>	Stickers	"VERLINDE"	2
22	<u>1142051</u>	Stickers	"FEM 1 Am"	1
22	<u>1142052</u>	Stickers	"FEM 2 Am"	1
22	<u>1142053</u>	Stickers	"FEM 3 Am"	1
25	<u>1142065</u>	Stickers 75 x 32	« 3.2 t »	1
25	<u>1142066</u>	Stickers 75 x 32	« 4 t »	1
25	<u>1142071</u>	Stickers	5 T	1
25	<u>1142072</u>	Stickers	6,3 T	1
28	<u>7422211K</u>	Bearing	2/3M	1
28	<u>8130072</u>	Bearing		1
29	<u>8150081</u>	Circlip	2/3M-VS404..5/6..R - 2/3M	1
29	<u>8130086</u>	Circlip		1
29	<u>52316931</u>	Safety latch	36312.041667	1
29	<u>52315932</u>	Safety latch plate type n°4	Après / After 06/99	1
30	<u>1152086</u>	Hook cover kit	2/3M-Demi-coquille + Joints profilés / Cover + Sealing profile	1
30	<u>1132186</u>	Hook cover kit	Demi-coquille + Joints profilés / Cover + Sealing profile	1
31	<u>1142000</u>	Complete hook block	1Am	1
31	<u>1142100</u>	Complete hook block	2/3M	1

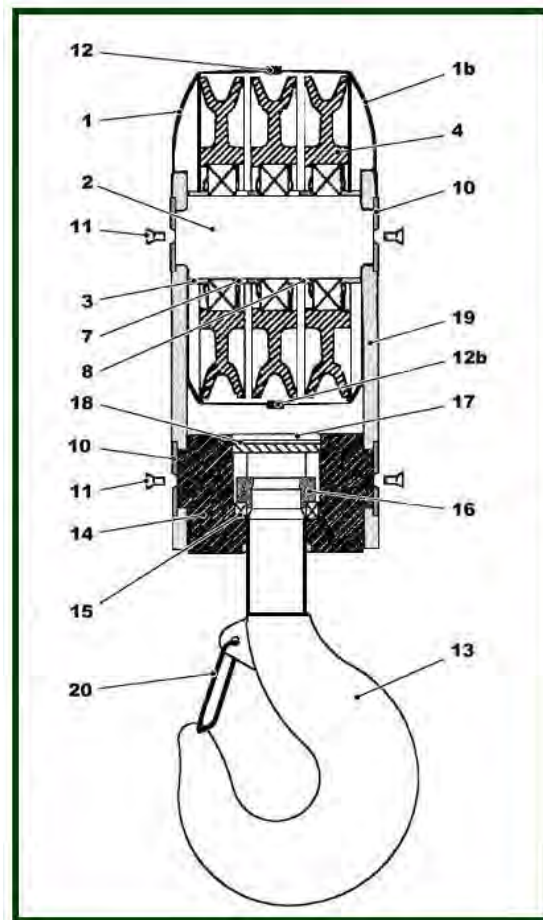
## 15) Lifting hook - 4 falls



item	reference	description	observation	Quantity
1	<a href="#">1152101</a>	Complete hook n°4	2/3M	1
1	<a href="#">1132101</a>	Complete hook RSN4	1AM-2/3AM Crochet + Linguet tôle / Hook + Steel plate safety latch	1
2	<a href="#">1152004</a>	Beam	2/3M	1
2	<a href="#">1132104</a>	Beam		1
3	<a href="#">8150074</a>	Thrust bearing	2/3M	1
3	<a href="#">8150071</a>	Thrust bearing		1
4	<a href="#">1152019</a>	Locking parts	2/3M	1
4	<a href="#">1132119</a>	Locking parts		1
6	<a href="#">1152105</a>	Beam cover	2/3M	1
6	<a href="#">1132105</a>	Beam cover		1
7	<a href="#">400080</a>	Retaining ring for bore - Ø 90x3		1
7	<a href="#">300082</a>	Safety ring - 110	2/3M	1
8	<a href="#">1152022</a>	Pulley shaft	2/3M	1
8	<a href="#">1132113</a>	Pulley shaft		1
9	<a href="#">1152036</a>	Flat bar	2/3M	1
9	<a href="#">1132136</a>	Flat bar		1
10	<a href="#">1132116</a>	Locking plate		1
11	<a href="#">7216403S</a>	Screw		1
15	<a href="#">1142520</a>	Complete pulley with bearing D266	1AM	1
15	<a href="#">1142620</a>	Complete pulley with bearing - Ø 330	2/3M	1
16	<a href="#">1152031</a>	Bush	1AM	1
16	<a href="#">1132131</a>	Bushing		1
17	<a href="#">1152017</a>	Plate	2/3M	1
17	<a href="#">1132117</a>	Plate		1
18	<a href="#">1152020</a>	Safety catch n°5	2/3M	1
18	<a href="#">52315933</a>	Safety latch	2/3M	1
18	<a href="#">33433003</a>	Safety latch n°4		1
18	<a href="#">52315932</a>	Safety latch plate type n°4	Après / After 06/99	1
22	<a href="#">1142040</a>	Stickers	"VERLINDE"	1
23	<a href="#">1142051</a>	Stickers	"FEM 1 Am"	1
23	<a href="#">1142052</a>	Stickers	"FEM 2 Am"	1

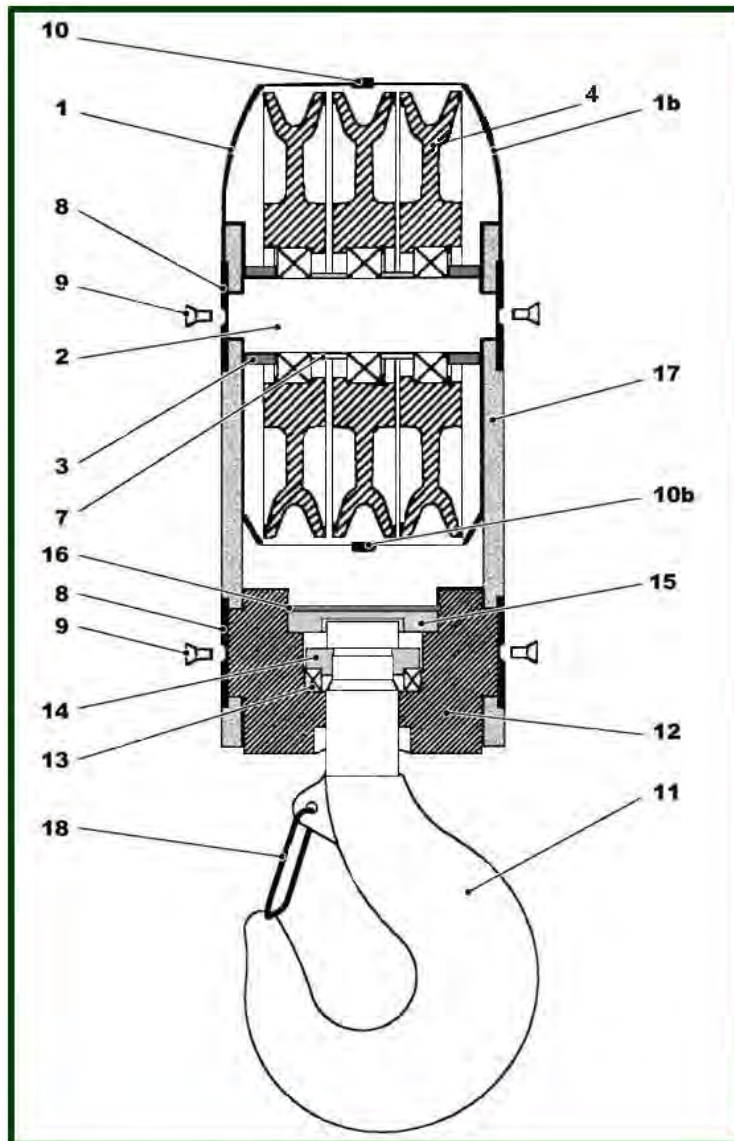
23	<u>1142053</u>	Stickers	"FEM 3 Am"	1
26	<u>1142071</u>	Stickers	5 T	1
26	<u>1142072</u>	Stickers	6,3 T	1
26	<u>1142073</u>	Stickers	8 T	1
26	<u>1152074</u>	Stickers	"10 T"	1
26	<u>1152075</u>	Stickers	"12,5 T"	1
28	<u>7422211K</u>	Bearing	2/3M	1
28	<u>8130072</u>	Bearing		1
29	<u>8150081</u>	Circlip	2/3M-VS404..5/6..R - 2/3M	1
29	<u>8130086</u>	Circlip		1
30	<u>1152086</u>	Hook cover kit	2/3M-Demi-coquille + Joints profilés / Cover + Sealing profile	1
30	<u>1132186</u>	Hook cover kit	Demi-coquille + Joints profilés / Cover + Sealing profile	1
31	<u>1142002</u>	Complete hook block	1AM	1
31	<u>1142102</u>	Complete hook block	2/3M	1

## 16) Lifting hook - 6 falls hoisting gear type N



item	reference	description	observation	Quantity
1	<a href="#">V4HA641A</a>	½ cover rope sheave		1
1b	<a href="#">V4HA642A</a>	½ cover rope sheave		1
2	<a href="#">V4HA608A</a>	Pulley shaft		1
3	<a href="#">6BAU03</a>	Bushing		2
4	<a href="#">6P4000</a>	Return pulley complet		1
7	<a href="#">6HC508A</a>	Bushing		2
8	<a href="#">6HCS09</a>	Bushing		1
10	<a href="#">1132116</a>	Locking plate		1
11	<a href="#">7216403S</a>	Screw		24
12	<a href="#">1152007</a>	Seal cover	1Am - Lg 105 mm	1
12b	<a href="#">1152008</a>	Seal cover	1Am - Lg 433 mm	1
13	<a href="#">5HA001B</a>	Hook + latchhook block		1
14	<a href="#">V4HA607A</a>	Bottom block body		1
15	<a href="#">8150074</a>	Thrust bearing	2/3M	1
16	<a href="#">5HA005B</a>	Safety Ring		1
17	<a href="#">5HA015A</a>	Cover		1
18	<a href="#">400080</a>	Retaining ring for bore - Ø 90x3		1
19	<a href="#">V4HA603A</a>	Flat bar		2
20	<a href="#">23233001</a>	Safety catch		1
-	<a href="#">V4A6N00A</a>	Complete hook 18t réducteur N	VS406...NN4	1

## 17) Lifting hook, 6 falls, hoisting gear type L-R

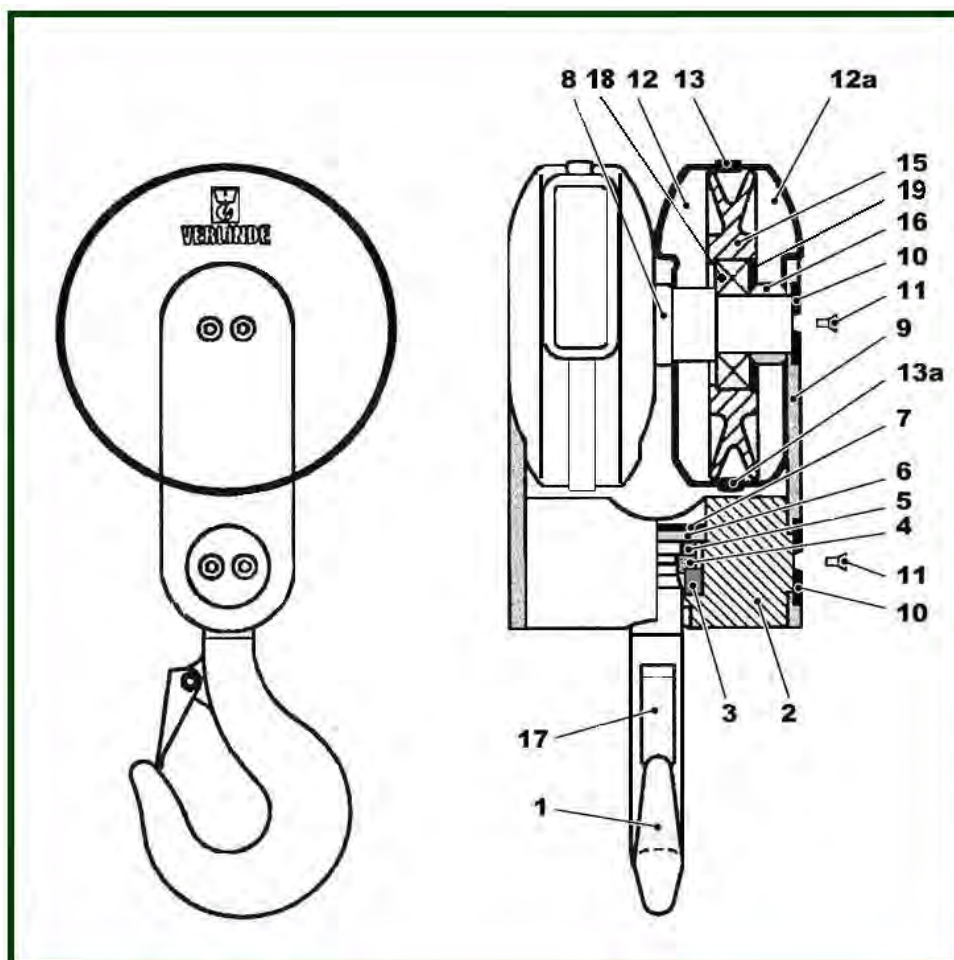


item	reference	description	observation	Quantity
1	<a href="#">V4HA641A</a>	½ cover rope sheave		1
1b	<a href="#">V4HA642A</a>	½ cover rope sheave		1
2	<a href="#">V4HA602A</a>	Pulley shaft		1
3	<a href="#">V4HA605A</a>	Bushing		2
4	<a href="#">1142620</a>	Complete pulley with bearing - Ø 330	2/3M	1
7	<a href="#">V4BAU06A</a>	Bushing		2
8	<a href="#">1132116</a>	Locking plate		1
9	<a href="#">7216403S</a>	Screw		4
10	<a href="#">1152007</a>	Seal cover	1Am - Lg 105 mm	1
10b	<a href="#">1152008</a>	Seal cover	1Am - Lg 433 mm	1
11	<a href="#">1152101</a>	Complete hook n°4	2/3M	1
12	<a href="#">V4HA601A</a>	Bottom block body		1
13	<a href="#">8150074</a>	Thrust bearing	2/3M	1
14	<a href="#">1152019</a>	Locking parts	2/3M	1
15	<a href="#">1152105</a>	Beam cover	2/3M	1

16	<u>7261110L</u>	Interior circlip 110	DA-RD	1
17	<u>V4HA603A</u>	Flat bar		2
18	<u>1152020</u>	Safety catch n°5	2/3M	1
18	<u>52315933</u>	Safety latch	2/3M	1
19	<u>7422211K</u>	Bearing	2/3M	3
20	<u>8150081</u>	Circlip	2/3M-VS404..5/6..R - 2/3M	1
-	<u>V4A6000A</u>	Complete hook block	VS406... LN3 / RN4	1

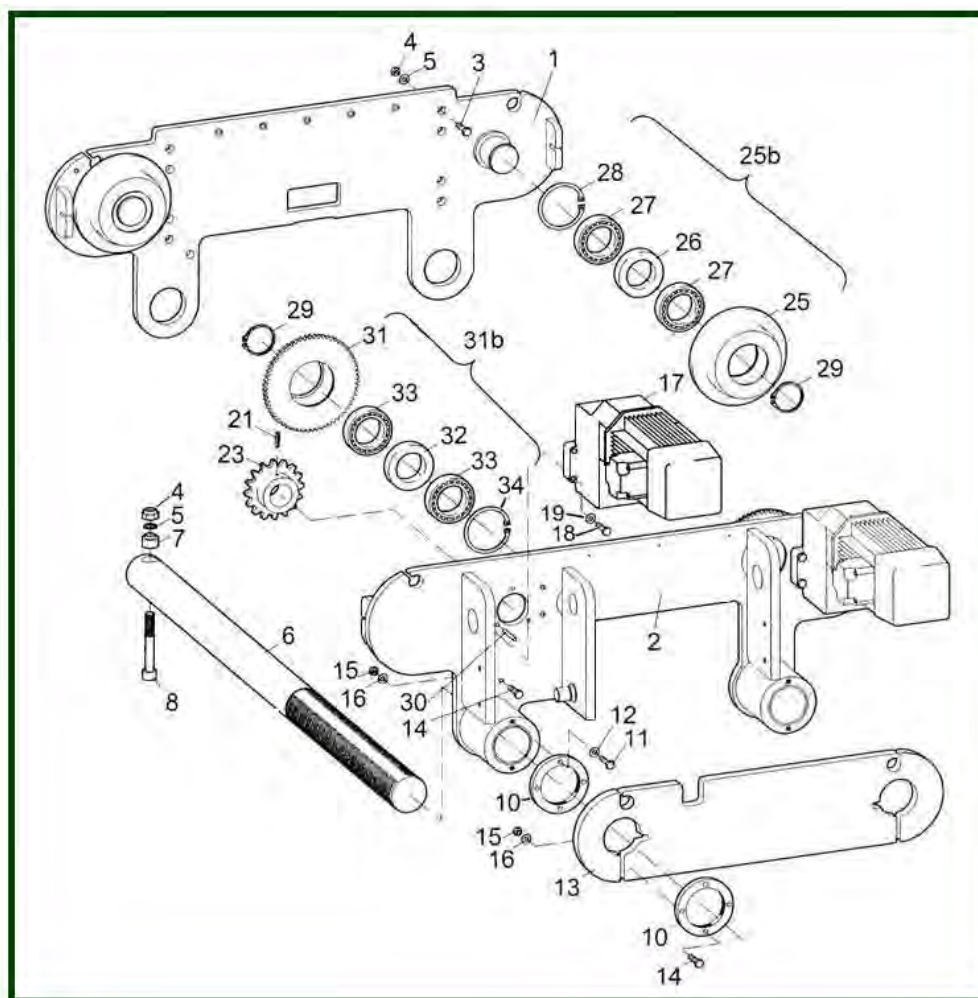


## 18) Lifting hookblock true vertical 4/2



item	reference	description	observation	Quantity
1	<a href="#">1132001</a>	Complete hook block n°2.5		1
2	<a href="#">VS40176A</a>	Beam		1
3	<a href="#">8130071</a>	Thrust bearing		1
4	<a href="#">1132019</a>	Locking parts		1
5	<a href="#">1132018</a>	Safety ring		1
6	<a href="#">1132005</a>	Beam cover		1
7	<a href="#">7261070T</a>	Circlip		1
8	<a href="#">VS40175A</a>	Shaft		1
9	<a href="#">1132135</a>	Flat bar		2
10	<a href="#">1112016</a>	Plate		4
11	<a href="#">7216403S</a>	Screw		8
15	<a href="#">1132620</a>	Pulley with bearing - Ø 265	15+30+31	1
16	<a href="#">1132131</a>	Bushing		1
17	<a href="#">33233003</a>	Safety catch N°2.5		1
18	<a href="#">8130072</a>	Bearing		2
19	<a href="#">8130086</a>	Circlip		2
-	<a href="#">VS40174A</a>	Hookblock		1
-	<a href="#">1132186</a>	Hook cover kit	Demi-coquille + Joints profilés / Cover + Sealing profile	2
-	<a href="#">52315931</a>	Safety catch plate type N°2.5	Après / After 06/99	1

## 19) Low headroom trolley



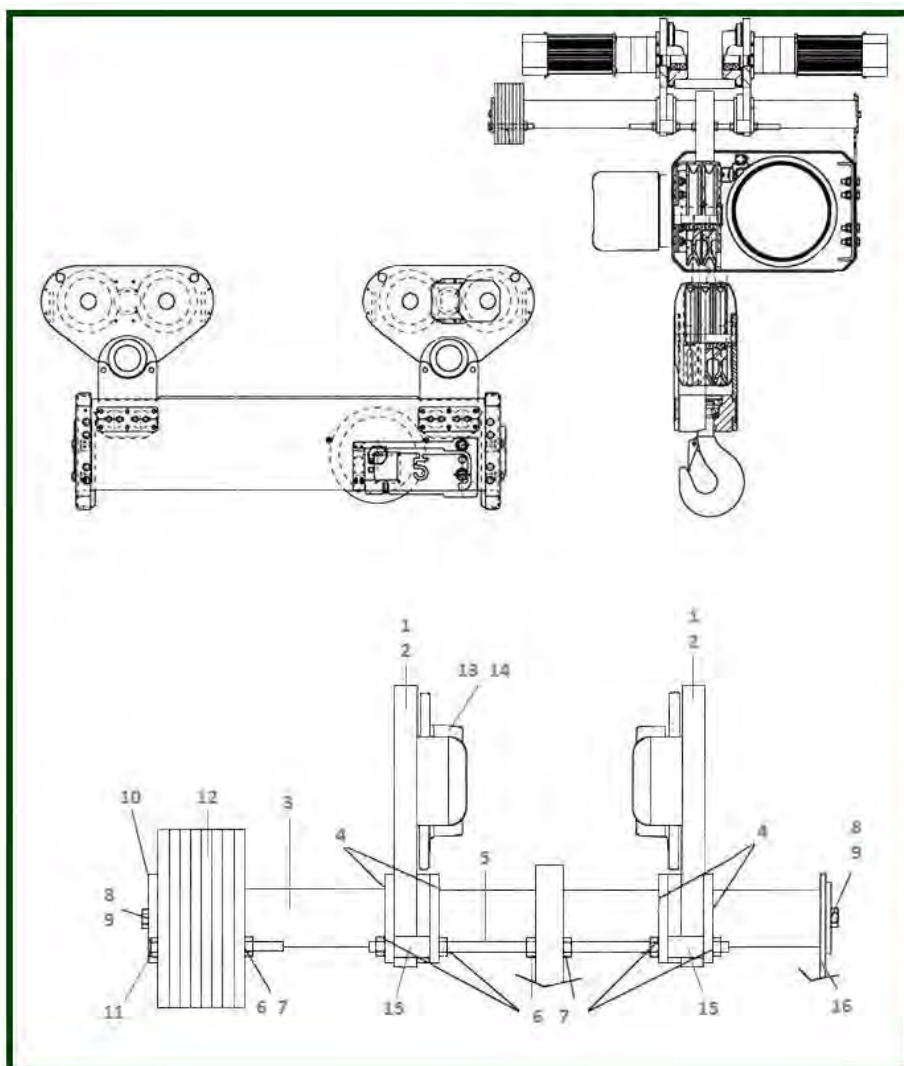
item	reference	description	observation	Quantity
1	<a href="#">1143511</a>	Side plate	(*) VS4...R....B	1
1	<a href="#">1143611</a>	Side plate	(*) VS4...R....D	1
2	<a href="#">1143514</a>	Rope anchorage suspension	VS402...RB	1
2	<a href="#">1143614</a>	Rope anchorage suspension	VS402...RD	1
3	<a href="#">830611</a>	HM screw	PRC3	8
4	<a href="#">831517</a>	HM nut - H M16	PRC3 - C1	12
5	<a href="#">7151642Z</a>	M16 Washer		20
6	<a href="#">1143541</a>	Threaded bar*		2
7	<a href="#">1143542</a>	Bushing		4
8	<a href="#">8011611</a>	Screws		1
9	<a href="#">1145051</a>	Side plate - lg 646	(*) VS4...R....B	2
9	<a href="#">1145151</a>	Side plate - lg 926	(*) VS4...R....D	1
10	<a href="#">1143543</a>	Ring		4
11	<a href="#">830426</a>	Screws		1
12	<a href="#">7232120A</a>	Grower washer (12)	D & DA & RD	6
13	<a href="#">1143648</a>	Counterweight*	VS4...R..D	1
13	<a href="#">1143548</a>	Counterweight*	VS4...R...B	1
14	<a href="#">7211678F</a>	Screws		2
15	<a href="#">831512</a>	Nut		1

16	<u>7231122R</u>	Washer MU12		4
18	<u>8011550</u>	Screw		4
19	<u>7232100D</u>	GROWER washer M10	DIN12 Standard - Frein automatique/Automatic brake	1
21	<u>7273458H</u>	Pin		1
23	<u>1113532</u>	Drive wheel - 19 th		2
25b	<u>1143519</u>	Idle wheel set	VB 16 D : 160 mm	1
29	<u>7261072V</u>	Circlip		1
30	<u>8110059</u>	Dowell		6
31b	<u>1143508</u>	Driving wheel set	VB16 D : 160 mm	1
32	<u>1143501</u>	Bushing		2
33	<u>8150070</u>	Bearing		4
34	<u>300081</u>	Interior circlip	D & DA & RD - 100 I	2
35	<u>1145036</u>	Control box fixing plate		1
36	<u>1145035</u>	Bracket		4
37	<u>1143566</u>	Limit switch assembly travel		1
38	<u>7541312D</u>	Travel limit switch	C1-C2-C3	1

## 20) Normal headroom trolley

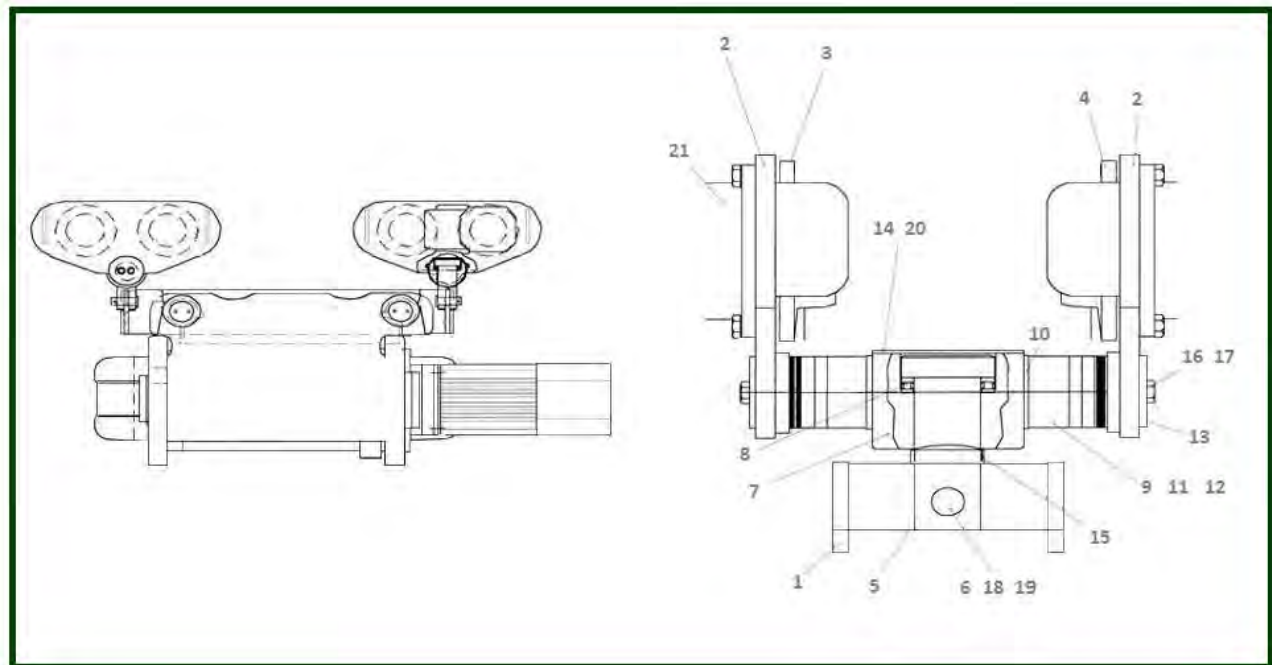
item	reference	description	observation	Quantity
1	<a href="#">1134531</a>	Side plate		2
1a	<a href="#">1144514</a>	Side plate	VS4...N..B	1
1a	<a href="#">1144614</a>	Side plate	VS4...N..D	1
1b	<a href="#">1144517</a>	Side plate NHT - lg 646	(*) VS4...N...B	1
1b	<a href="#">1144617</a>	Side plate NHT - lg 926	(*) VS4...N...D	1
3	<a href="#">1134541</a>	Tie rod		2
3	<a href="#">1134542</a>	Tie rod		2
4	<a href="#">1144543</a>	Locking plate and screw		2
5	<a href="#">8011550</a>	Screw		8
6	<a href="#">7232100D</a>	GROWER washer M10	DIN12 Standard - Frein automatique/Automatic brake	8
7	<a href="#">1144505</a>	Bar	Lg 250	8
8	<a href="#">831512</a>	Nut		16
9	<a href="#">1134511</a>	Bushing		8
10	<a href="#">1134545</a>	Locking plate		8
11	<a href="#">Suite</a>	Travelling motorgear	GS3...RP+MF07	2
12	<a href="#">1113532</a>	Drive wheel - 19 th		2
13	<a href="#">7273458H</a>	Pin		2
14	<a href="#">7261072V</a>	Circlip		8
15	<a href="#">8110081</a>	Bearing		16
16	<a href="#">400078</a>	Exterior circlip Ø 35	C2	4
17	<a href="#">8110059</a>	Dowell		6
18b	<a href="#">1133508</a>	Geared travel wheel	Chariot 1 GMR (2) - Chariot 2 GMR (4) - VB13 - Ø 125mm	1
19b	<a href="#">1133507</a>	Ungeared wheel	Chariot 1 GMR (2) - Chariot 2 GMR (4) - VB13 - Ø 125mm	1
-	<a href="#">1144566</a>	Limit switch assy (travel)	14+15+19	1
-	<a href="#">7541312D</a>	Travel limit switch	C1-C2-C3	1

## 21) Normal headroom trolley 406



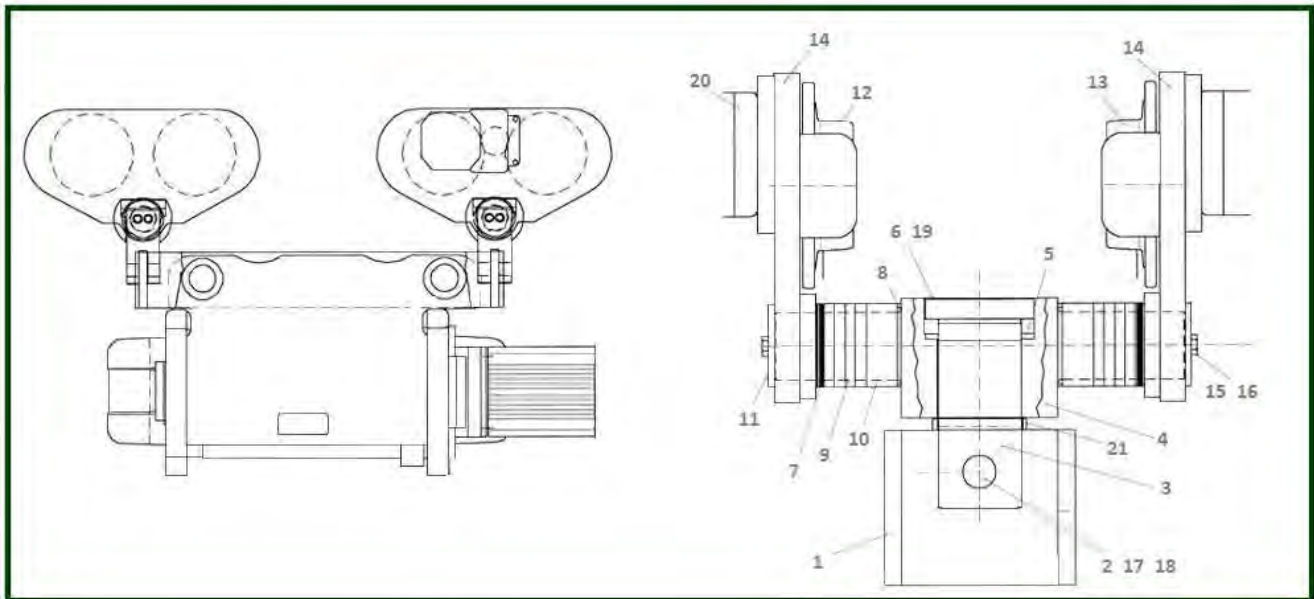
item	reference	description	observation	Quantity
1	<a href="#">1154531</a>	Flange	A la commande / On order	4
3	<a href="#">V4NB602A</a>	HPN 406 shaft		2
4	<a href="#">1144545</a>	Clamping plate		8
5	<a href="#">1114508</a>	Screw rod - M16 Lg 350		4
6	<a href="#">831517</a>	HM nut - H M16	PRC3 - C1	28
7	<a href="#">7232160V</a>	Washer M16		1
8	<a href="#">830425</a>	HM screw 12 x 30		4
9	<a href="#">8130018</a>	M12 flat washer	Vis à coller	1
10	<a href="#">V5NA003A</a>	Tie rod stop	A la commande / On order	2
11	<a href="#">7211827T</a>	HM screw 16 x 140		4
12	<a href="#">V4NB603A</a>	Counterweight	A la commande / On order	1
13	<a href="#">1143508</a>	Driving wheel set	VB16 D : 160 mm	4
14	<a href="#">1143519</a>	Idle wheel set	VB 16 D : 160 mm	4
15	<a href="#">1144511</a>	Beam		8
16	<a href="#">V4NB601A</a>	Locking plate support		2

## 22) Swivelling trolley



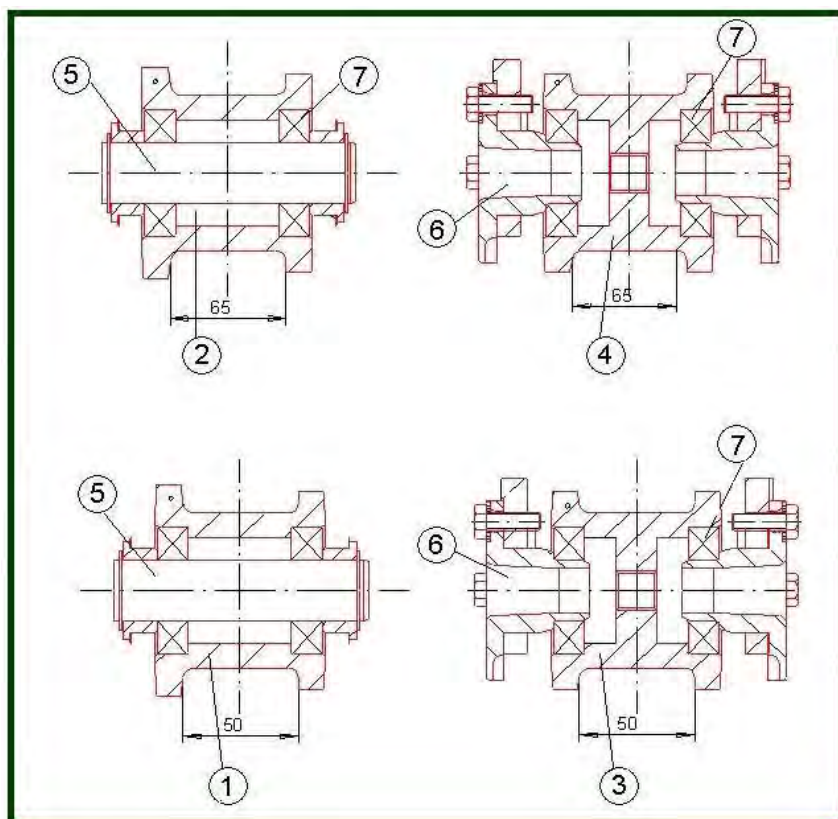
item	reference	description	observation	Quantity
1	<a href="#">V1RAB02A</a>	Beam	VS4...OB	1
1	<a href="#">NCVS4T</a>	Beam	VS4...OD	1
2	<a href="#">1114531</a>	Motor side plate		2
3	<a href="#">1113507</a>	Idle wheel set - Ø 100	VB10D:100mm - VB10D - VS2..R..O (VSX) 2 roulements + 1 circlip + 1 galet porteur 2 Bearings + 1 circlip + 1 geared wheel	4
4	<a href="#">1113508</a>	Driving wheel set - Ø 100	VB10D:100mm - VB10D - VS2..R..O (VSX) 2 roulements + 1 circlip + 1 galet moteur 2 Bearings + 1 circlip + 1 geared wheel	4
5	<a href="#">1139002</a>	Pivoting shaft		2
6	<a href="#">1143515</a>	Pivot shaft		2
7	<a href="#">1139003</a>	Pivot tie rod		1
8	<a href="#">51110</a>	Thrust ball bearing		1
9	<a href="#">1139007</a>	Adjustement sleeve		40
10	<a href="#">V1RAB18A</a>	Sleeve - th. 4		4
11	<a href="#">1139008</a>	Sleeve - th. 10		8
12	<a href="#">1139108</a>	Sleeve - th. 30		4
13	<a href="#">1139006</a>	End washer		1
14	<a href="#">1139005</a>	Cover		2
15	<a href="#">V1RAB17A</a>	Stabilizing washer		1
16	<a href="#">830205</a>	Securing screw for brake bar HM 8 x 25		8
17	<a href="#">7232081H</a>	Washer		1
18	<a href="#">8150095</a>	Split pin		4
19	<a href="#">832113</a>	Washers M24 - 2mm	C2	1
20	<a href="#">7211151H</a>	Screw		8
21	<a href="#">Suite</a>	Travelling motorgear	GS3...RP+MF07	2

## 23) Swivelling trolley 4/1 and 2/1



item	reference	description	observation	Quantity
1	<a href="#">V4RAB13A</a>	Beam	VS4...OD&OE	1
2	<a href="#">V4RAB14A</a>	Pivot shaft		2
3	<a href="#">V4RAB15A</a>	Shaft		1
4	<a href="#">V4RAB16A</a>	Pivot tie rod		1
5	<a href="#">51116</a>	Thrust rollerbearing		1
6	<a href="#">V4RAB17A</a>	Cover		1
7	<a href="#">V4RAB18A</a>	Adjustment sleeve		48
8	<a href="#">V4RAB19A</a>	Sleeve - th. 4		8
9	<a href="#">V4RAB20A</a>	Sleeve - th. 10		16
10	<a href="#">V4RAB21A</a>	Sleeve - th. 30		8
11	<a href="#">V4RAB22A</a>	End washer		4
12	<a href="#">1133508</a>	G geared travel wheel	Chariot 1 GMR (2) - Chariot 2 GMR (4) - VB13 - Ø 125mm	1
13	<a href="#">1133507</a>	Ung geared wheel	Chariot 1 GMR (2) - Chariot 2 GMR (4) - VB13 - Ø 125mm	1
14	<a href="#">1134531</a>	Side plate		1
15	<a href="#">830425</a>	HM screw 12 x 30		8
16	<a href="#">7231122R</a>	Washer MU12		1
17	<a href="#">831662</a>	Pin		4
19	<a href="#">7211151H</a>	Screw		8
20	<a href="#">Suite</a>	Travelling motorgear	GS3...RP+MF07	2
21	<a href="#">V1RAB23A</a>	Stabilizing washer		2
22	<a href="#">1113532</a>	Drive wheel - 19 th		2

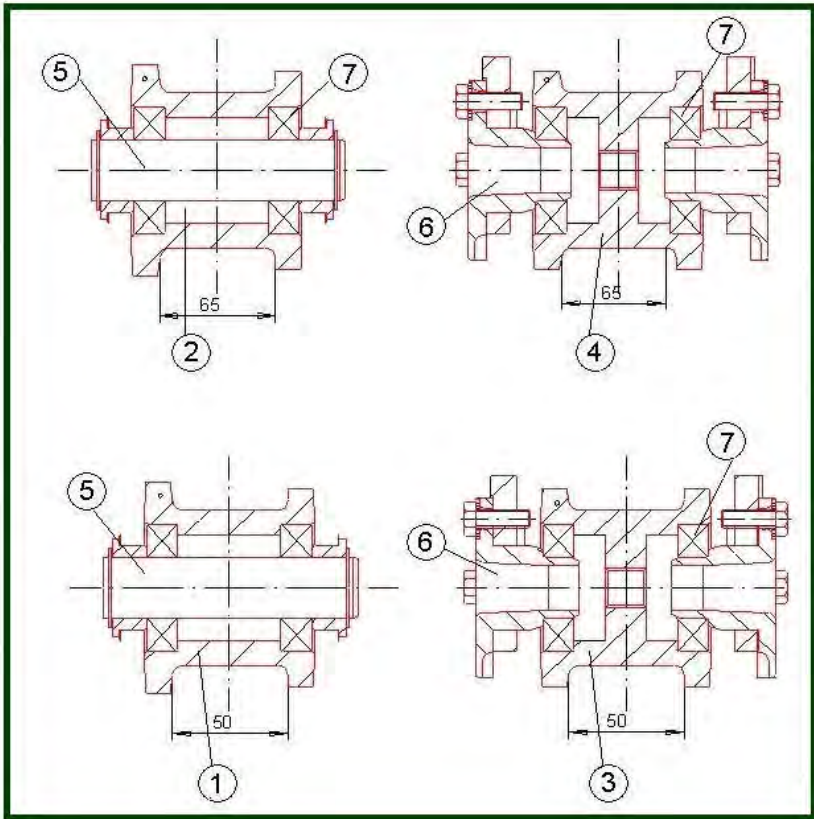
## 24) Double girder trolley hoist 4/1 et 2/1



item	reference	description	observation	Quantity
1	<u>NC SVP11</u>	End carriage	VS402	2
1	<u>NC SVP14</u>	End carriage	VS402 / VP11 - VS404 / VP14 - VS502 VS504 < 16T	2
2	<u>15503001</u>	Driving wheel set - ø 90 - G50	VS302..F - VS402 A partir / Since 1999	2
2	<u>15503005</u>	Driving wheel set - ø 90 - G65	VS302..F - VS402 A partir / Since 1999	2
2	<u>15803005</u>	Driving wheel set - ø 110 - G65	VP11 - VS304..F - VS402	2
2	<u>25803001</u>	Driving wheel set - ø 140 - G50	VS404 / VP14 - VS502 VS504 < 16T	2
2	<u>25803005</u>	Driving wheel set - ø 140 - G65	VS404 / VP14 - VS502 VS504 < 16T	2
3	<u>15503006</u>	Travel wheel set ø 90 - G65	VS202/VP9 - VS302..F - VS402 A partir / Since 1999	1
3	<u>15503003</u>	Travel wheel set - ø 90 - G50	VS202/VP9 - VS302..F - VS402 A partir / Since 1999	1
3	<u>15803003</u>	Travel wheel set - ø 110 - G50	VS402 / VP11 - VS204	1
3	<u>15803006</u>	Travel wheel set - ø 110 - G65	VS402 / VP11 - VS204	1
3	<u>25803003</u>	Travel wheel set - ø 140 - G50	VS404 / VP14 VS502 VS504 < 16T	1
3	<u>25803006</u>	Travel wheel set - ø 140 - G65	VS404 / VP14 VS502 VS504 < 16T	1
4-5-6	<u>15503007</u>	Buffer set		4
7	<u>NC TRA</u>	Beam set		1
9	<u>NC MREDD VS4</u>	Travelling motorgear		1
10	<u>1137231</u>	Coupling	VS402 < 25mm	2
-	<u>1137230</u>	Splined shaft	VS402 < 25mm	1



**25) Double girder trolley wheel set 4/1 and 2/1**



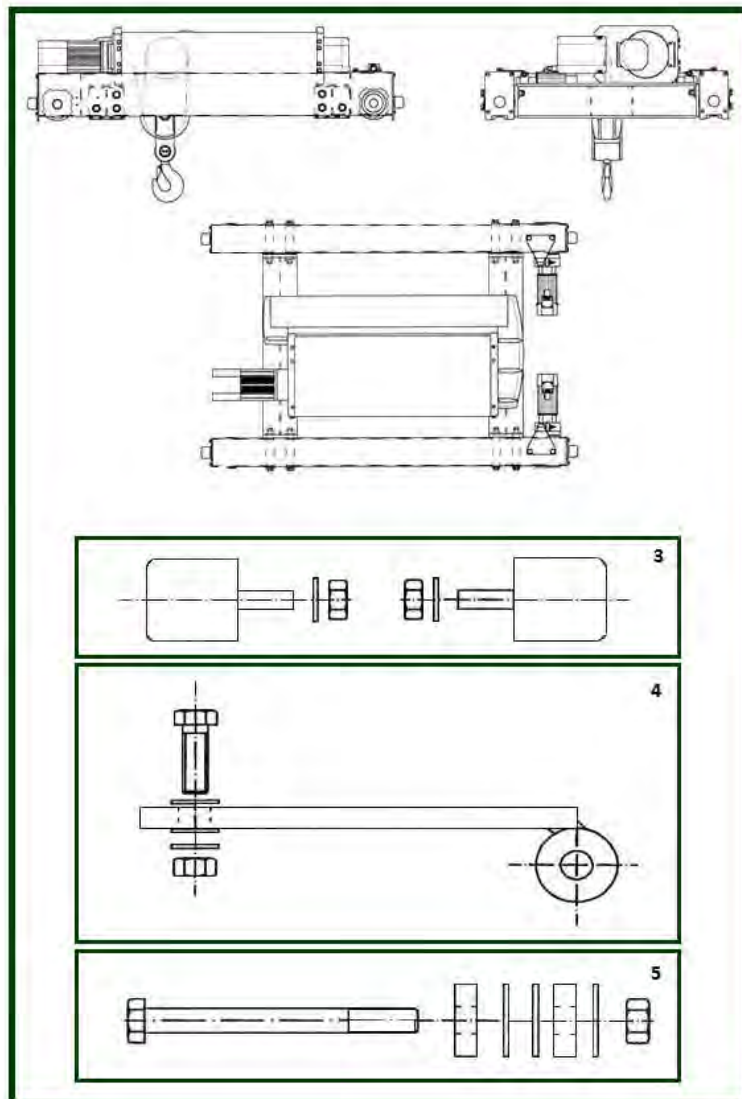
## 25.1) VS 404-1

<b>item</b>	<b>reference</b>	<b>description</b>	<b>observation</b>	<b>Quantity</b>
1	<u>25803003</u>	Travel wheel set - ø 140 - G50	VS404 / VP14 VS502 VS504 < 16T	1
3	<u>25803006</u>	Travel wheel set - ø 140 - G65	VS404 / VP14 VS502 VS504 < 16T	1
5	<u>25803001</u>	Driving wheel set - ø 140 - G50	VS404 / VP14 - VS502 VS504 < 16T	1
6	<u>25803005</u>	Driving wheel set - ø 140 - G65	VS404 / VP14 - VS502 VS504 < 16T	1
11	<u>25803007</u>	Shaft travel wheel	VP14 - VS404 - VS502 - VS504 < 16T	1
13	<u>25803002</u>	Bearing flange set	VP14 - VS404 - VS502 - VS504 < 16T	1
14	<u>7412112U</u>	Bearing compl.	VP14 - VS404 - VS502 - VS504 < 16T	2

## 25.2) VS 402-1 / VS 404-2

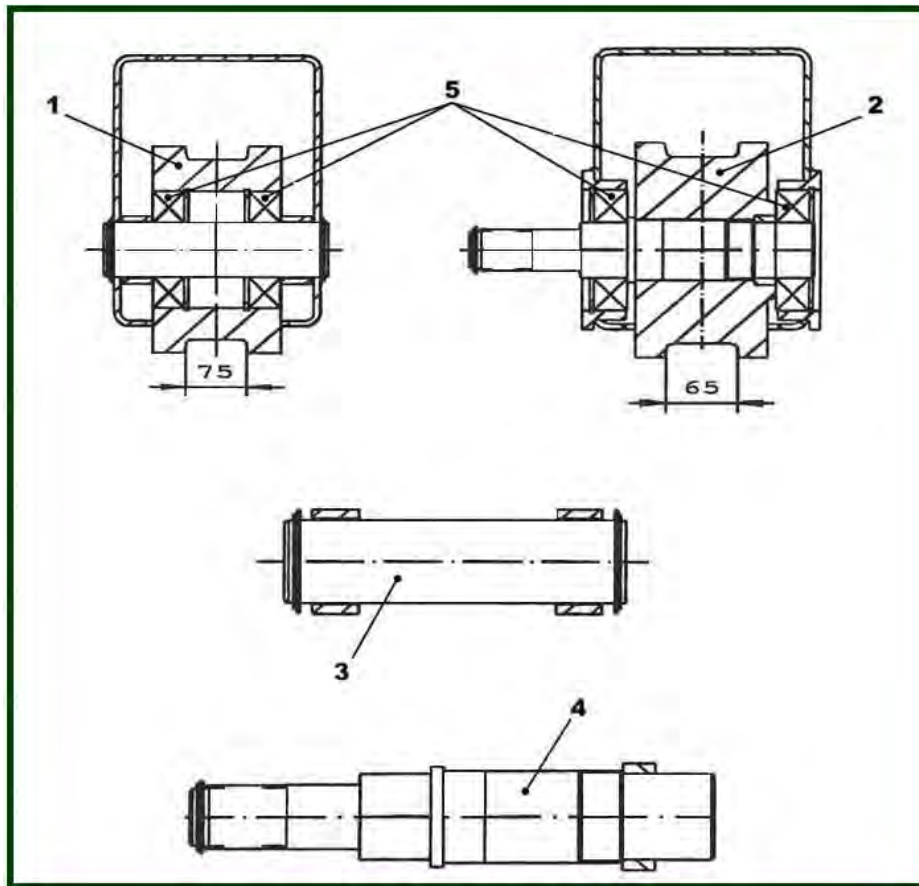
<b>item</b>	<b>reference</b>	<b>description</b>	<b>observation</b>	<b>Quantity</b>
1	<u>15803003</u>	Travel wheel set - ø 110 - G50	VS402 / VP11 - VS204	1
2	<u>15803006</u>	Travel wheel set - ø 110 - G65	VS402 / VP11 - VS204	1
3	<u>15803001</u>	Driving wheel set - ø 110 - G50	VP11 - VS304..F - VS402	1
4	<u>15803005</u>	Driving wheel set - ø 110 - G65	VP11 - VS304..F - VS402	1
5	<u>15803004</u>	Shaft travel wheel	VP11 - VS304 - VS402	1
6	<u>15803002</u>	Bearling-flangeset	VP11 - VS304 - VS402	1
7	<u>7413082Y</u>	Bearing	VP11 - VS304	2

## 26) Double girder trolley 406



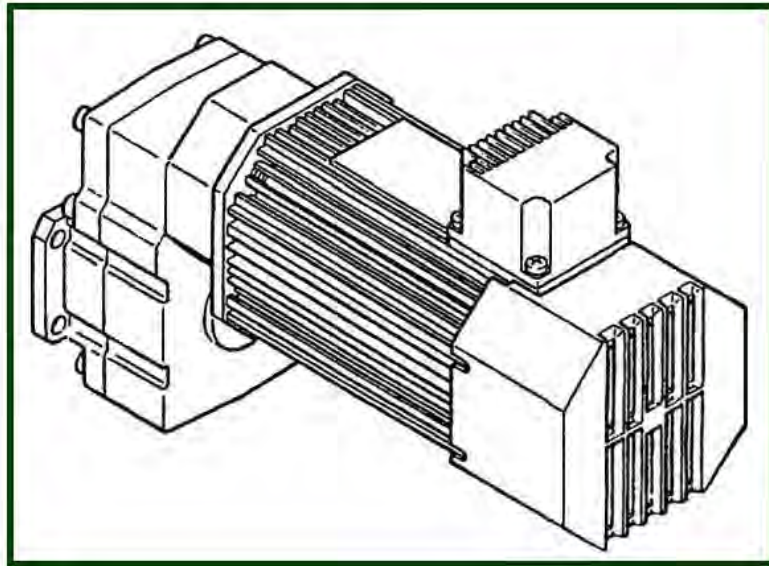
item	reference	description	observation	Quantity
3	<u>7911001Q</u>	Buffer set - Ø 100		4
4	<u>35803007</u>	Support arm assy		2
5	<u>35803008</u>	Motorgearbox fixings	GM4	2

## 27) Double girder trolley wheel set 6/1



item	reference	description	observation	Quantity
1	<a href="#">35803003</a>	Travel wheel set - Ø 200 - G65	VS502/VS504 < 16t	2
1	<a href="#">35803006</a>	Travel wheel set - Ø 200 - G75	VS502/VS504 < 16t	2
2	<a href="#">35803001</a>	Driving wheel set - Ø 200 - G65	VS502/VS504 < 16t	2
2	<a href="#">35803005</a>	Driving wheel set - Ø 200 - G75	VS502/VS504 < 16t	2
3	<a href="#">35803004</a>	Idle shaft set	VS5 - XS5	1
4	<a href="#">35803002</a>	Geared shaft set	VS5 - XS5	1
5	<a href="#">7412070M</a>	Bearing	VS5 - XS5	8

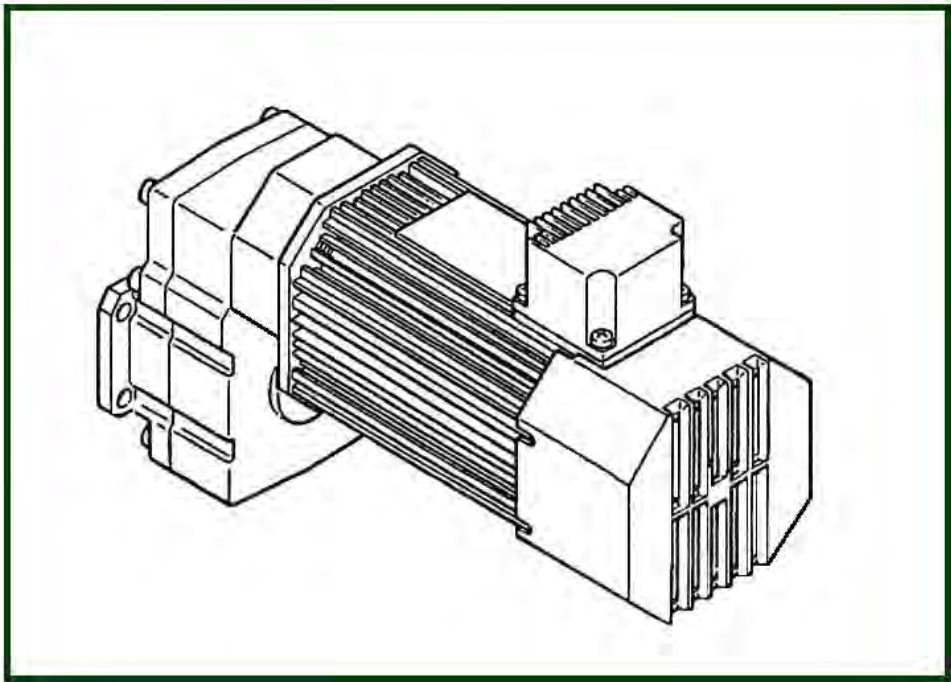
## 28) Travelling motor



## 28.1) For NHT and LHT monorail hoist

item	reference	description	observation	Quantity
	<u>1113532</u>	Drive wheel - 19 th		1
	<u>NCVS4GCE</u>	External chain guide	Not supplied anymore replaced by 52309591	1
	<u>7273458H</u>	Pin		1
-	<u>1117510</u>	Gearbox GS115RPC	Vitesse / Speed 20/5 Après avril 1999 / After april 1999	1
-	<u>1117509</u>	Gearbox GS120RPC		1
-	<u>1117504</u>	Gearbox GS315RPC	Vitesse / Speed 20/5	1
-	<u>1117505</u>	Gearbox GS320RPC		1
-	<u>1117507</u>	Gearbox GS332RPC	Vitesse / Speed 10/2,5	1
-	<u>1117508</u>	Gearbox GS340RPC		1
-	<u>25808104P</u>	Travelling motor MF07LA14 3000/750-415V/50Hz-W415V-0,25/0,06KW	Prise plastique après avril 1999 Plastic plug after april 1999	1
-	<u>25808104</u>	Travelling motor MF07LA14 3000/750-415V/50Hz-W415V-0,25/0,06KW	Prise Wieland avant avril 1999 Wieland plug before april 1999 GS315RPC : VS304<5T & VS306	1
-	<u>25808102P</u>	Travelling motor MF07LA104 3000/750-220V/50Hz-0,25/0,06KW	Prise plastique après avril 1999 Plastic plug after april 1999 GS315RPC : VS304<5T & VS306	1
-	<u>25808102</u>	Travelling motor MF07LA104 3000/750-220V/50Hz-0,25/0,06KW	Prise Wieland avant avril 1999 Wieland plug before april 1999 GS315RPC : VS304<5T & VS306	1
-	<u>25808103</u>	Travelling motor MF07LA104 3000/750-380V/50Hz-0,25/0,06KW	Prise Wieland avant avril 1999 Wieland plug before april 1999 GS315RPC : VS304<5T & VS306	1
-	<u>25808103P</u>	Travelling motor MF07LA104 MF07LA104-3000/750- 380V/50Hz-0,25/0,06KW	Prise plastique après avril 1999 Plastic plug after april 1999 GS315RPC : VS304<5T & VS306	1
-	<u>25808302</u>	Travelling motor MF07LB104 3000-750t/mn-220V/50Hz - 0.45/0.11Kw	Prise Wieland avant avril 1999 Wieland plug before april 1999 GS332RPC : VS306 - GS315RPC : VS306 6,3T	1
-	<u>25808302P</u>	Travelling motor MF07LB104 3000-750t/mn-220V/50Hz - 0.45/0.11KW	Prise plastique après avril 1999 Plastic plug after april 1999 GS332RPC : VS306 - GS315RPC : VS306 6,3T	1
-	<u>25808303P</u>	Travelling motor MF07LB104 3000-750t/mn-380-400V/50Hz - 0.45/0.11KW	Prise plastique après avril 1999 Plastic plug after april 1999 GS332RPC : VS306 - GS315RPC : VS306 6,3T	1
-	<u>25808303</u>	Travelling motor MF07LB104 3000-750t/mn-380-400V/50Hz - 0.45/0.11KW	Prise Wieland avant avril 1999 Wieland plug before april 1999 GS332RPC : VS306 - GS315RPC : VS306 6,3T	1
-	<u>25808304P</u>	Travelling motor MF07LB104 3000-750t/mn-415V/50Hz - 0.45/0.11KW	Prise plastique après avril 1999 Plastic plug after april 1999 GS332RPC : VS306 - GS315RPC : VS306 6,3T	1
-	<u>25808304</u>	Travelling motor MF07LB104 3000-750t/mn-415V/50Hz - 0.45/0.11KW	Prise Wieland avant avril 1999 Wieland plug before april 1999 GS332RPC : VS306 - GS315RPC : VS306 6,3T	1
-	<u>25808112</u>	Travelling motor MF07S104 3000-750t/mn - 0.20/0.05kw - 230V/50Hz	Prise plastique après avril 1999 Plastic plug after april 1999 VS302	1
-	<u>25808113</u>	Travelling motor MF07S104 3000-750t/mn - 0.20/0.05kw - 400v/50Hz	Prise plastique après avril 1999 Plastic plug after april 1999 VS302	1

**28.2) For birail hoist**

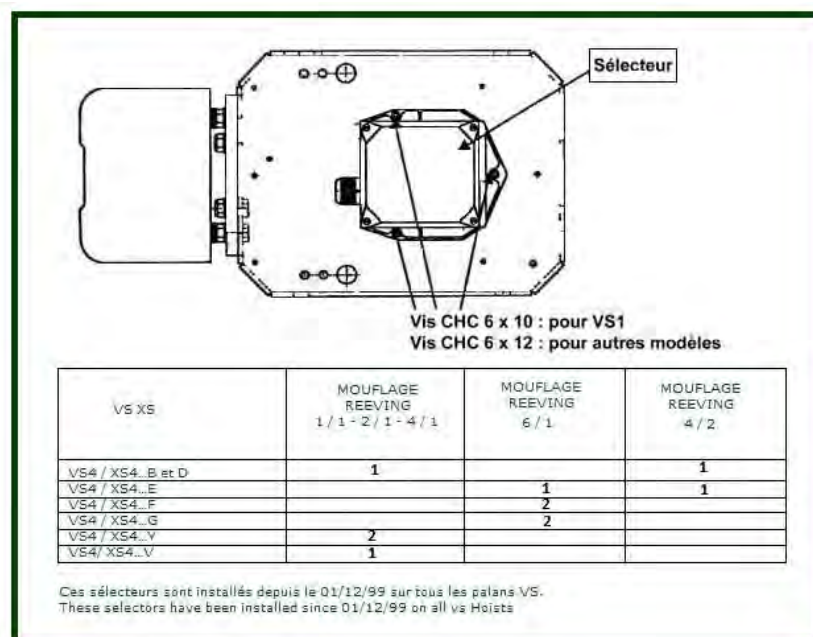




## 29) Electric parts

item	reference	description	observation	Quantity
-	<a href="#">1113014</a>	Auxiliary block		1
-	<a href="#">1113012</a>	Auxiliary block		1
-	<a href="#">1113007</a>	Auxiliary contact LA1D20	7536314W	4
-	<a href="#">1113044</a>	Brake rectifier ESD141 For main voltage 230V to 690V	Moteur / Motor P6 à/to P9	1
-	<a href="#">1115062</a>	Brake rectifier REC12 For main voltage 230V to 690V	Moteur/Motor P1 à/to P5	1
-	<a href="#">1113077</a>	Circuit breaker		1
-	<a href="#">1113078</a>	Circuit breaker		1
-	<a href="#">1113003</a>	Circuit breaker		1
-	<a href="#">1113005</a>	Circuit breaker	GV2ME07 - AF7	1
-	<a href="#">1113121</a>	Complete lifting unit		1
-	<a href="#">7531425G</a>	Contacteur		1
-	<a href="#">1113018</a>	Contacteur	Frein/Brake	1
-	<a href="#">8812152B</a>	Control cable	16x1,5 mm <sup>2</sup>	1
-	<a href="#">7691114G</a>	Counter cover		1
-	<a href="#">1113094</a>	Counter support		1
-	<a href="#">7575304B</a>	Fuse 4A		1
-	<a href="#">7575306D</a>	Fuse 6AM		1
-	<a href="#">7573242K</a>	Fuse support	BC31	1
-	<a href="#">1113125</a>	Hour counter - 48V-50Hz		1
-	<a href="#">1113113</a>	Limit switch	Jusqu'à / To 30/11/99	2
-	<a href="#">1113030</a>	Main contactor - 400V/48V- LC1D50E7	Moteur / Motor P7 - N4 - O-K1	1
-	<a href="#">1103001</a>	Monitor+connectors	CU1	1
-	<a href="#">1113101</a>	Monitor+transformer	CU1	1
-	<a href="#">1113043</a>	Motor protector - 48V	MSL 48C	1
-	<a href="#">1113071</a>	Motor protector - 115V	MSL 115C	1
-	<a href="#">1113072</a>	Motor protector - 230V	MSL 230C	1
-	<a href="#">834490</a>	Push button	2VL+2VD+AU / 2HS+2CT+ES	1
-	<a href="#">1113023</a>	Reversing contactor	400V-48V Levage + direction/Hoisting cross travelling LC2ECO9E (7531023V)	1
-	<a href="#">1113021</a>	Selector contactor	48V	1
-	<a href="#">1113029</a>	Slow and high speed contactor 400V/48V - LC1D258E	Moteur / Motor P4-P5 -7532324J	1
-	<a href="#">1113073</a>	Stopping controller ESD138A - 230V	Moteur / Motor P6 à/to P9 - AD9	1
-	<a href="#">1123056</a>	Stopping controller ESD138B - 115V	Moteur / Motor P6 à/to P9 - AD9	1
-	<a href="#">1113056</a>	Stopping controller ESD138C - 48V	Moteur / Motor P6 à/to P9 - NA AD9	1
-	<a href="#">1113051</a>	Transformer		1
-	<a href="#">7541312D</a>	Travel limit switch	C1-C2-C3	1

### 30) Mounting and choosing the came selector



item	reference	description	observation	Quantity
1	<u>GTES67DZM</u>	Rotating limit switch - 4C	XS2 - VS2...C et Z 1/1-2/1-4/1 Depuis/Since 01/12/99	1
2	<u>GTES110DZM</u>	Rotating limit switch - 4C	VS2...C et Z 1/1 - 2/1 - 4/1 - Depuis/Since 01/12/99	1