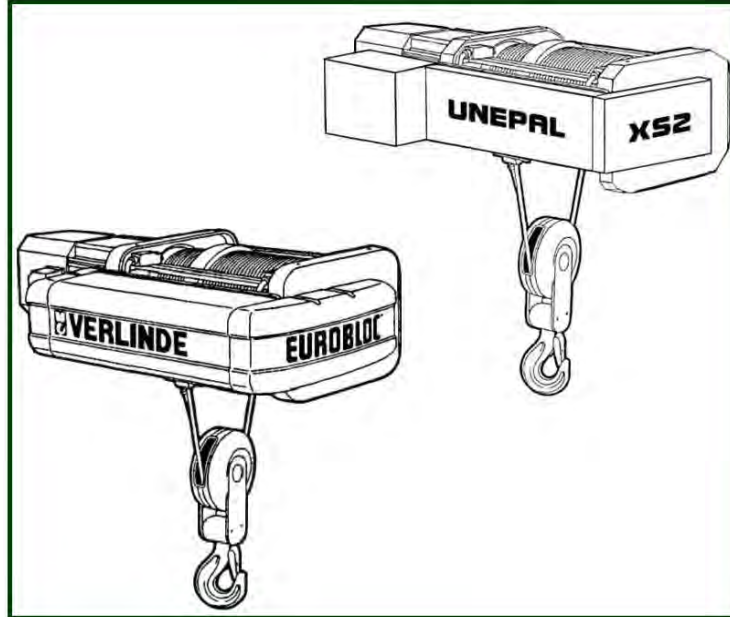


## Spare Parts - VS2-XS2

To avoid errors, when ordering please specify:

- Complete type of hoist
- Date of manufacture and serial number
- Spare part code
- Spare part designation
- Additional information

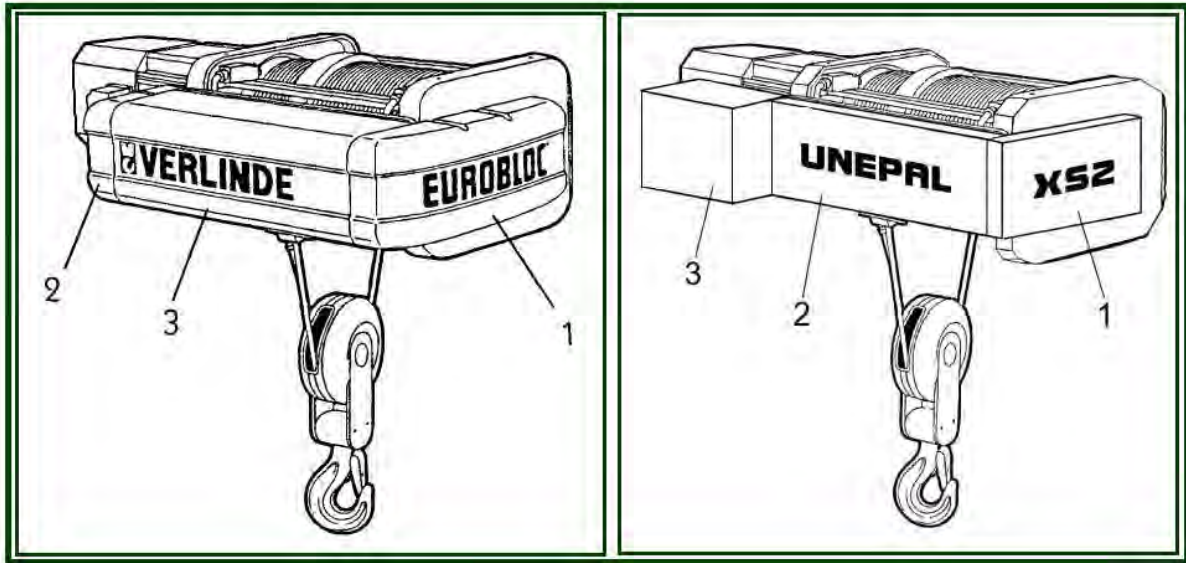


- 0) VS - XS HOIST CODIFICATION
  - 1) COVERS
    - 1.1) Covers for VS2
    - 1.2) Covers for XS2
  - 2) FRAME - SHORT DRUM A
  - 3) FRAME - LONG DRUM C
  - 4) FRAME - DRUM O (VSX) LHT ONLY
  - 5) ROPE DRUM
    - 5.1) Precut rope
  - 6) GEAR
    - 6.1) VS2 A and C drum
    - 6.2) VS2 O drum (VSX)
  - 7) ROPE ANCHORAGE SUSPENSION - 2 FALLS - FM AND NHT
  - 8) ROPE ANCHORAGE SUSPENSION - 2 FALLS - LHT
    - 8.1) A and C drum
    - 8.2) O drum (VSX)
  - 9) ROPE SAVE UNIT - 4 FALLS FM AND NHT
  - 10) ROPE SHEAVE UNIT - 4 FALLS - LHT
    - 10.1) A et C Drum
    - 10.2) O Drum (VSX)
- 11) OVERLOAD LIMITOR FM,NHT,LHT- ELECTR.+MECHANICAL WITH OR WITHOUT HALL SENSOR
- 12) OVERLOAD PROTECTION FM, NHT, LHT
- 13) OVERLOAD LIMITOR FM,NHT,LHT - ELECT. MECH + HALL SENSOR
- 14) OVERLOAD LIMITOR FM, NHT, LHT - HALL SENSOR
- 15) LIFTING HOOK - 1 ROPED - 1AM
- 16) LIFTING HOOK - 2 FALLS - 1AM
- 17) LIFTING HOOK - 2 FALLS - 2/3M
- 18) LIFTING HOOK - 4 FALLS - 1AM/2M/3M
  - 19) LHT TROLLEY
  - 20) NHT TROLLEY
  - 21) MOTORGear
    - 21.1) Monorail hoist LHT + NHT
    - 21.2) Double girder
- 22) DOUBLE GIRDER TROLLEY
- 23) WHEEL SET VP09 AND VP11
  - 23.1) Wheel set VP09
  - 23.2) Wheel set VP11
- 24) COMPACT TROLLEY - HPN
- 25) SWIVELLING TROLLEY - HPN
- 26) SWIVELLING TROLLEY - HPN
- 27) ELECTRICAL PARTS
- 28) MOUNTING AND CHOOSING THE CAME SELECTOR

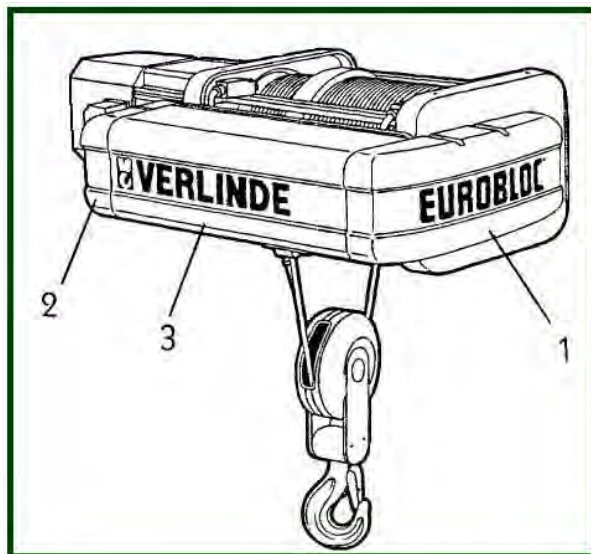
## 0) VS - XS hoist codification

ABREVIATIONS				ABREVIATIONS										
(Palan) Fixe				F	Foot Mounted hoist		FM							
Chariot à Hauteur Perdue Normale				HPN	Normal Headroom Trolley		NHT							
Chariot à Hauteur Perdue Réduite				HPR	Low Headroom Trolley		LHT							
CODIFICATION DES PALANS VS / VS HOIST CODIFICATION														
PALAN VS														
VS	TAILLE DU CHASSIS													
	1, 2, 3, 4, 5, 6													
	MOUFLAGE													
	Nombre de brins / Sorties de câbles au tambour / Nombre de « crochets »													
	GROUPE ISO													
	4 = 1Am    5 = 2m    6 = 3m    7 = 4m    X = Spécial													
	R 20													
	CHARIOT(*) / LARGEUR DE FER (**)													
	<ul style="list-style-type: none"> <li>(*) R = HPR</li> <li>N = HPN</li> <li>P = Birail parallèle</li> <li>C = Birail perpendiculaire</li> <li>F = Fixe posé</li> <li>X = Spécial</li> </ul>													
	<ul style="list-style-type: none"> <li>(**) = Monorail</li> <li>10 = 80...100</li> <li>15 = 100...150</li> <li>20 = 151...250</li> <li>25 = 201...250</li> <li>30 = 251...300</li> <li>35 = 301...350</li> <li>40 = 351...400</li> <li>45 = 401...450</li> </ul>													
<ul style="list-style-type: none"> <li>09 = 900</li> <li>14 = 1400</li> <li>17 = 1700</li> <li>20 = 2000</li> <li>24 = 2400</li> <li>27 = 2700</li> <li>31 = 3100</li> </ul>														
LONGUEUR DE CHASSIS / HAUTEUR DE LEVAGE														
A, B, C, D, E, F, G, H, J, K, L, M, N														
VS	1	04 1 1	5	R 20	A	N	N1	23 5	SE 5	+	25	N		
REDUCTEUR / VITESSE								N						
L = Lent    N = Normal    R = Rapide    X = Spécial														
MOTEUR								N1						
N (1, 2, 3, 4, 5) = 2 vitesses H (2, 3, 4) = Service lourd F (3, 4, 5, 6) = Variation de vitesse X = Spécial (1 = 1,9 kW, 2 = 3,5 kW, 3 = 7,5 kW, 4 = 15 kW, 5 = 30 kW)														
TENSION D'ALIMENTATION								23 5						
23 5 = 230V / 50 Hz 40 5 = 400V / 50 Hz 41 5 = 415V / 50 Hz														
EQUIPEMENT ELECTRIQUE								SE 5						
S = Palan solo K = Palan pour kit C = Classic E = Europe H = Hi-tronic 4 = IP 54 5 = IP 55 X = Spécial														
LIMITEUR DE CHARGE										+				
L = Limiteur seul M = Monitor + = Limiteur + monitor														
DIRECTION												25		
16 = 16/4 20 = 20/5 25 = 25/6,3 NO = Non CH = Chaîne XX = Spécial														
CONCEPTION SPECIALE													N	
N = Non M = Mécanique E = Electrique D = Divers														

## 1) Covers



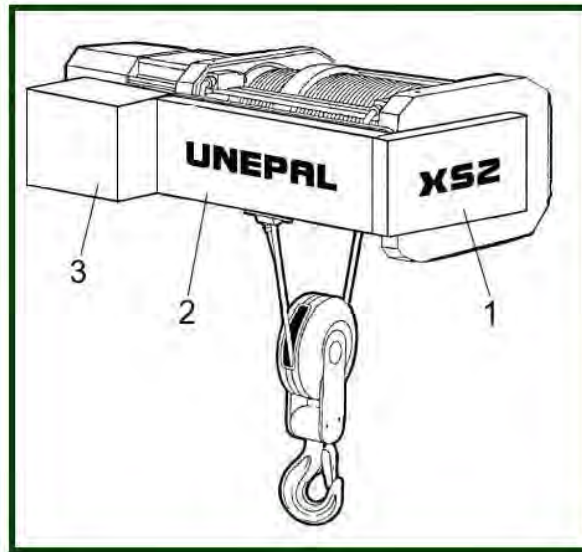
## 1.1) Covers for VS2



item	reference	description	observation	Quantity
1	<u>V3FAB03D</u>	Cover	A partir de décembre 1999 / From december 1999	1
1	<u>1135021</u>	Cover	Jusqu'à fin novembre 1999 / Up to novembre 1999 N'est plus fourni / Not any more supplied	1
2	<u>1135023</u>	Cover		1
3	<u>1135030</u>	Electric cubicle	VS2...C - VS3...A(*)	1
3	<u>1135130</u>	Electric cubicle	VS3...C VS306...D et E(*)	1

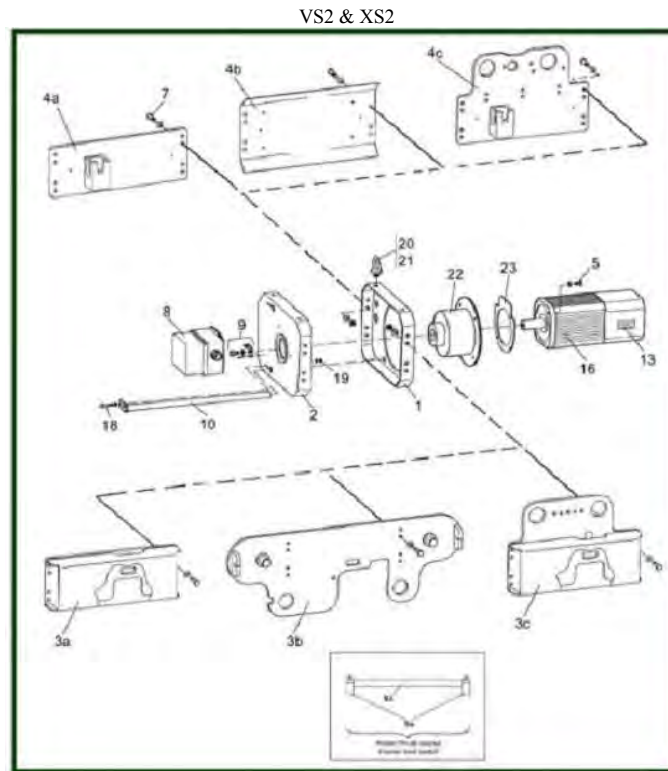
## 1.2) Covers for XS2

Pièces à la commande, merci de préciser l'année de fabrication - Parts on order, please indicate the year of manufacturing



item	reference	description	observation	Quantity
1	<a href="#">S3FAB03B</a>	Opposit motor side cover	XS2 & XS3 A et C Seulement / Only	1
2	<a href="#">S3FA002B</a>	Side cover	XS2 & XS3 A et C Seulement / Only	1
2	<a href="#">S3FA001B</a>	Side cover	XS2 & XS3 A et C Seulement / Only	1
3	<a href="#">1101375</a>	Electric cubicle	XS2 A et C Seulement / Only	1

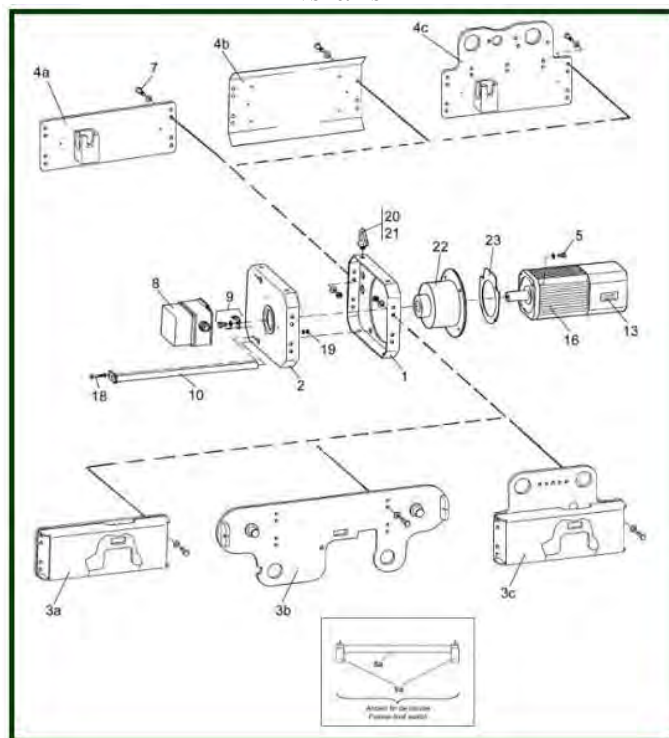
## 2) Frame - Short drum A



item	reference	description	observation	Quantity
1	<a href="#">1135040</a>	End plate - Motor side		1
2	<a href="#">1135050</a>	End plate - Opposite motor side		1
3a	<a href="#">1135014</a>	Side plate (4/1)	XS2 - VS2...N..A - XS3 - VS204...F..A	1
3b	<a href="#">1133511</a>	Side plate - LHT	XS2 - VS202...R..A - XS3 - VS302...R..A - VS304...R..A	1
3c	<a href="#">1134514</a>	Side plate - NHT	VS2 N A - VS302...N..A VS304...N..A	1
4a	<a href="#">1135017</a>	Side plate - Fixed	XS2 - VS2...F..A - XS3 - VS3...F..A	1
4b	<a href="#">1135011</a>	Side plate - LHT	XS2 - VS2...R..A - VS202...F - XS3 - VS3...R..A - VS302...F...A	1
4c	<a href="#">1134515</a>	Side plate - NHT	XS2 - VS2...N..A - XS3 - VS3...N..A	1
5	<a href="#">830903</a>	CHC screw 10 x 25	Moteur N2 - Vis à coller / Screw paste	4
7	<a href="#">NC VF</a>	Fixing screw set		8
8	<a href="#">GTES110DZM</a>	Rotating limit switch - 4C	VS2...C et Z 1/1 - 2/1 - 4/1 - Depuis/Since 01/12/99	1
8	<a href="#">GTES67DZM</a>	Rotating limit switch - 4C	XS2 - VS2...C et Z 1/1-2/1-4/1 Depuis/Since 01/12/99	1
8a	<a href="#">1111022</a>	Limit switch shaft	VS3...A - Lg 530 mm - Jusqu'au / Until 30/11/99	1
9	<a href="#">1124020</a>	Fixing set + cam selector bracket	Depuis/Since le 01/12/99	1
9a	<a href="#">1113113</a>	Limit switch	Jusqu'à / To 30/11/99	2
10	<a href="#">1111028</a>	Rope guide support shaft	VS1...A - VS3...A	1
13	<a href="#">1006501</a>	Identification plate sticker		1
16	<a href="#">1127002</a>	Motor 230V/50Hz - 3,5/0,5Kw	VS3...N2	1
16	<a href="#">1127004</a>	Motor 380V/50Hz - 440V/60Hz - 3,5/0,5Kw	VS3...N2	1
16	<a href="#">1127001</a>	Motor 400V/50Hz - 460V/60Hz - 3,5/0,5Kw	VS3...N2	1
16	<a href="#">1127003</a>	Motor 415V/50Hz - 3,5/0,5Kw	VS3...N2	1
18	<a href="#">830905</a>	CHC Screw 8X20		1
19	<a href="#">831504</a>	Brake washer AZ M8	VS4...B...D - VS5...D/E	1
20	<a href="#">1140006</a>	Lifting hook	Fixe (2) - HPN (4) - HPR (1)	2
21	<a href="#">831594</a>	NYLSTOP nut - M12 - DIN985	PRC1	1
22	<a href="#">1127502</a>	Gearbox	3G2300	1
23	<a href="#">1137550</a>	Plate	VS3...N2 Seulement pour / Only for 3G2200	1

### 3) Frame - Long drum C

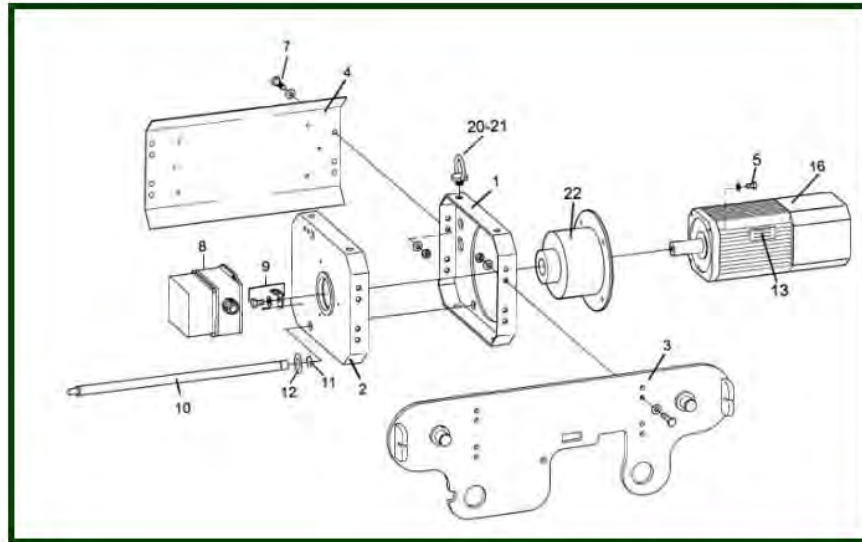
VS2 & XS2



item	reference	description	observation	Quantity
1	<a href="#">1135040</a>	End plate - Motor side		1
2	<a href="#">1135050</a>	End plate - Opposite motor side		1
3a 4b	<a href="#">1135111</a>	Side plate for LHT hoist (2/1)	XS2 - VS2...R - VS202...F..C - VS202...R..C	1
3a	<a href="#">1135114</a>	Side plate for FM hoist (4/1)	XS2 - VS204...F..C	1
3b	<a href="#">1133611</a>	Side plate for LHT hoist - Idle side	XS2 - VS202...R..C - VS204...R..C	1
3c	<a href="#">1134614</a>	Side plate NHT	XS2-VS202...N..C - VS204...N..C	1
4a	<a href="#">1135117</a>	Side plate for LHT hoist	XS2 - VS2...F..C	1
4c	<a href="#">1134615</a>	Welded side plate	XS2-VS2...N...C	1
5	<a href="#">830903</a>	CHC screw 10 x 25	Moteur N2 - Vis à coller / Screw paste	1
7	<a href="#">NCVF</a>	Fixing screw set		1
8	<a href="#">GTES110DZM</a>	Rotating limit switch - 4C	VS2...C et Z 1/1 - 2/1 - 4/1 - Depuis/Since 01/12/99	1
8a	<a href="#">1111122</a>	Limit switch shaft	XS2 - VS2.....C - Jusqu'au / until 30/11/99	1
9	<a href="#">1124020</a>	Fixing set + cam selector bracket	Depuis/Since le 01/12/99	1
9a	<a href="#">1113113</a>	Limit switch	Jusqu'à / To 30/11/99	2
10	<a href="#">1111030</a>	Rope guide support shaft	XS2 - VS2.....C	1
13	<a href="#">1006501</a>	Identification plate sticker		1
16	<a href="#">1127002</a>	Motor 230V/50Hz - 3,5/0,5Kw	VS3...N2	1
16	<a href="#">1127004</a>	Motor 380V/50Hz - 440V/60Hz - 3,5/0,5Kw	VS3...N2	1
16	<a href="#">1127001</a>	Motor 400V/50Hz - 460V/60Hz - 3,5/0,5Kw	VS3...N2	1
16	<a href="#">1127003</a>	Motor 415V/50Hz - 3,5/0,5Kw	VS3...N2	1
18	<a href="#">830905</a>	CHC Screw 8X20		1
19	<a href="#">831504</a>	Brake washer AZ M8	VS4...B...D - VS5.....D/E	1
20	<a href="#">1110006</a>	Eye boit	Fixe (2) - HPN/NHT (4) - HPR/LHT (1)	4
21	<a href="#">831594</a>	NYLSTOP nut - M12 - DIN985	PRC1	1
22	<a href="#">1127502</a>	Gearbox	3G2300	1
23	<a href="#">1137550</a>	Plate	VS3...N2 Seulement pour / Only for 3G2200	1

## 4) Frame - Drum O (VSX) LHT only

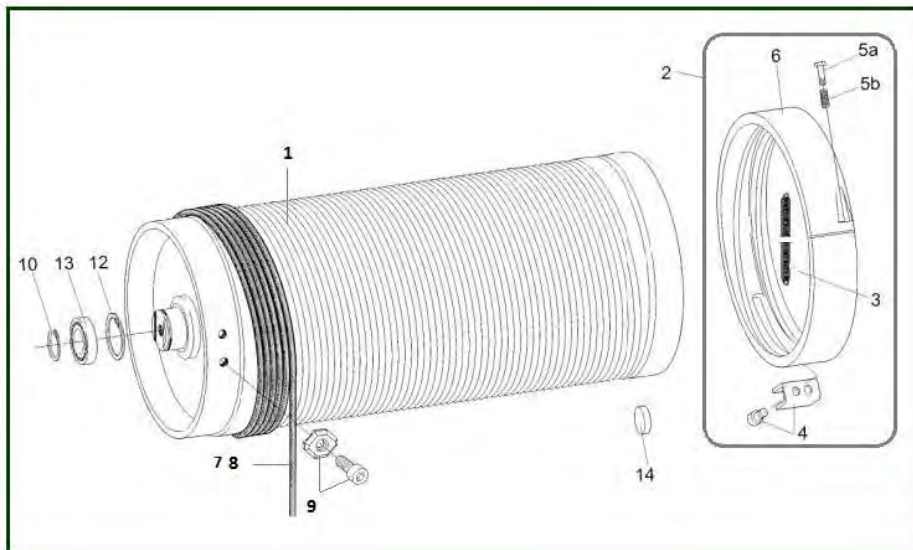
Hauteur Perdue Réduite-Fabriqué à partir de Janvier 2000 / Low Headroom Trolley - Manufactured since january 2000



item	reference	description	observation	Quantity
1	<a href="#">VXFAA00A</a>	Motor side and plate	N.C.	1
2	<a href="#">VXFAB00A</a>	Opposite motor side and plate	N.C.	1
3	<a href="#">VXLAA10A</a>	Side plate for LHT hoist - Idle side	* XS2-VS2..R..O (VSX)	1
4	<a href="#">VXBAP01A</a>	Side plate cubicle side	N.C.	1
5	<a href="#">830905</a>	CHC Screw 8X20		4
7	<a href="#">NC VF</a>	Fixing screw set		1
8	<a href="#">GTES67DZM</a>	Rotating limit switch - 4C	XS2 - VS2...C et Z 1/1-2/1-4/1 Depuis/Since 01/12/99	1
9	<a href="#">1114020</a>	Kixing set + cal selectir bracket	Depuis / Since 01/12/99	1
10	<a href="#">VXD1E0A1</a>	Rope guide support shaft		1
11	<a href="#">830860</a>	Exterior circlip - Ø 20	C2	1
12	<a href="#">7231202C</a>	Washer		1
13	<a href="#">1006501</a>	Identification plate sticker		1
16	<a href="#">1127002</a>	Motor 230V/50Hz - 3,5/0,5Kw	VS3...N2	1
16	<a href="#">1127004</a>	Motor 380V/50Hz - 440V/60Hz - 3,5/0,5Kw	VS3...N2	1
16	<a href="#">1127001</a>	Motor 400V/50Hz - 460V/60Hz - 3,5/0,5Kw	VS3...N2	1
16	<a href="#">1127003</a>	Motor 415V/50Hz - 3,5/0,5Kw	VS3...N2	1
20	<a href="#">1110006</a>	Eye boit	Fixe (2) - HPN/NHT (4) - HPR/LHT (1)	4
21	<a href="#">831504</a>	Brake washer AZ M8	VS4...B...D - VS5...D/E	1
22	<a href="#">2G2200</a>	Gearbox 2G2200		1



## 5) Rope drum



VS2 A	VS2 A	Longueur à couper / Length to be cut	Code câble / Rope reference
1 brin	1 Fall	44.00	<b>8</b>
2/1	2/1	45.00	
4/1	4/1	46.00	
2/1 Boggie	2/1 Swivelling trolley	45.00	
4/1 Boggie	4/1 Swivelling trolley	46.00	
VS2 C	VS2 C	Longueur à couper / Length to be cut	Code câble / Rope reference
1 brin	1 Fall	64.00	<b>8</b>
2/1	2/1	65.00	
2/1 Hpr	2/1	65.00	
4/1	4/1y	66.00	
2/1 Boggie	2/1 Swivelling trolley	65.00	
4/1 Boggie	4/1 Swivelling trolley	66.00	
VS2 O	VS2 O	Longueur à couper / Length to be cut	Code câble / Rope reference
2/1 HPR	2/1 HPR	27.30	<b>8</b>
4/1 HPR	4/1 HPR	31.20	
VS2 Z	VS2 Z	Longueur à couper / Length to be cut	Code câble / Rope reference
2/1	2/1	81.00	<b>7</b>

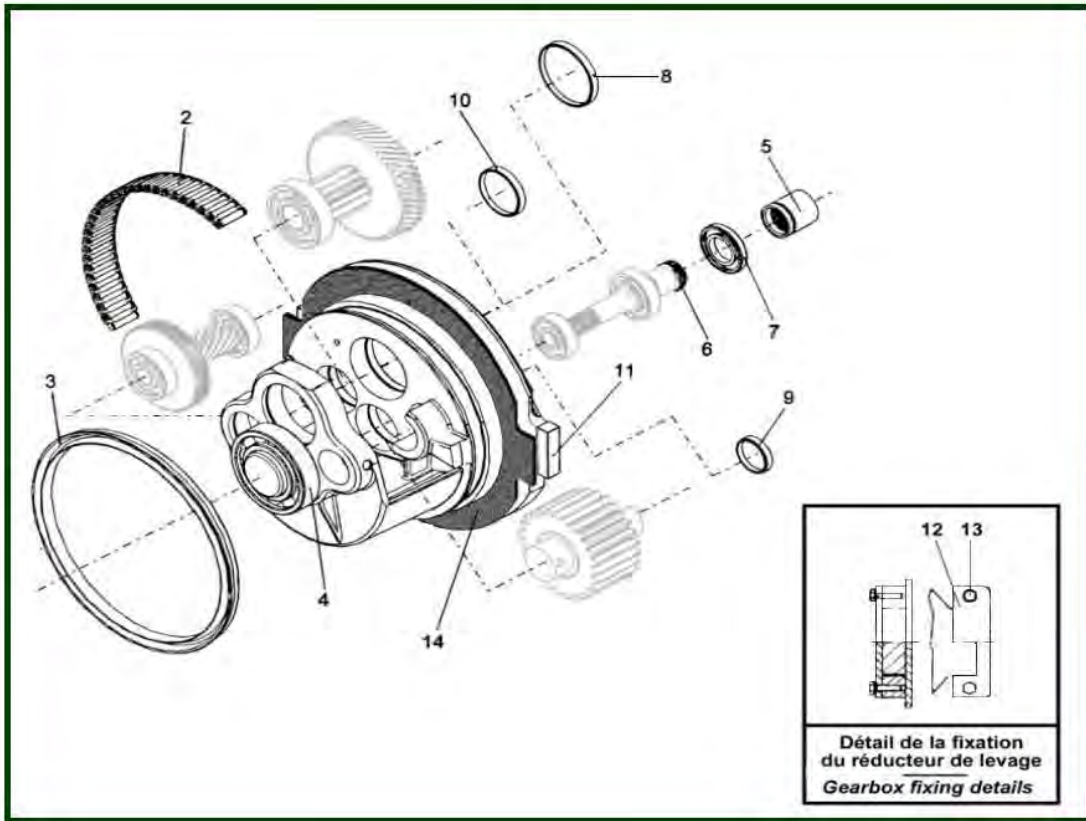
item	reference	description	observation	Quantity
1	<a href="#">VXD1010A</a>	Rope drum - Lg 453	VS2....O (VSX)	1
1	<a href="#">1120500</a>	Rope drum - Lg 550	VS2.....A	1
1	<a href="#">1120600</a>	Rope drum - Lg 760	VS2.....C	1
2	<a href="#">P2D1056</a>	Complete rope guide - Ø 7 - Right	VS2....O (VSX)	1
2	<a href="#">1120539</a>	Complete rope guide - P6,3 - Right	VS2....Z	1
2	<a href="#">1120540</a>	Rope guide - P7.8 - Ø 7 - Right	VS2...A et C VS202 VS204 Standard VS304 Levage centré/ True vertical	1
3	<a href="#">1111009</a>	Spring - Lg 600	VS2	1
3	<a href="#">1111008</a>	Spring - Lg 750		1

4	<u>1131014</u>	Guide	Palan avant 1996 / Hoist before 1996	1
4	<u>1111014</u>	Shape guide		1
5a	<u>554347</u>	Screw	VS1-VS2	2
5b	<u>12332001</u>	Pressure spring	VS1-VS2	2
7	<u>1111042</u>	Left rope - Ø 6	VS1...A - VS2 Z	2
8	<u>1121042</u>	Left rope - Ø 7	VS1...A - VS2A-VS2C-VS2O-VS2 Z - VS3A-VS3C	2
9	<u>12133001</u>	Rope anchor on drum	VS2-VS4	3
10	<u>400081</u>	Circlip	VS2.....A et C	1
10	<u>100051</u>	External circlip - Ø 30	VS2....O (VSX)	1
12	<u>300080</u>	Circlip	VS2.....A et C	1
12	<u>300079</u>	Circlip - Ø 62	C3-C5- VS2... O (VSX)	1
13	<u>8110071</u>	Bearing	VS2.....A et C	1
13	<u>7412064S</u>	Bearing	VS2....O (VSX)	1
14	<u>1111540</u>	Magnet set	VS1-VS2-VS3	2

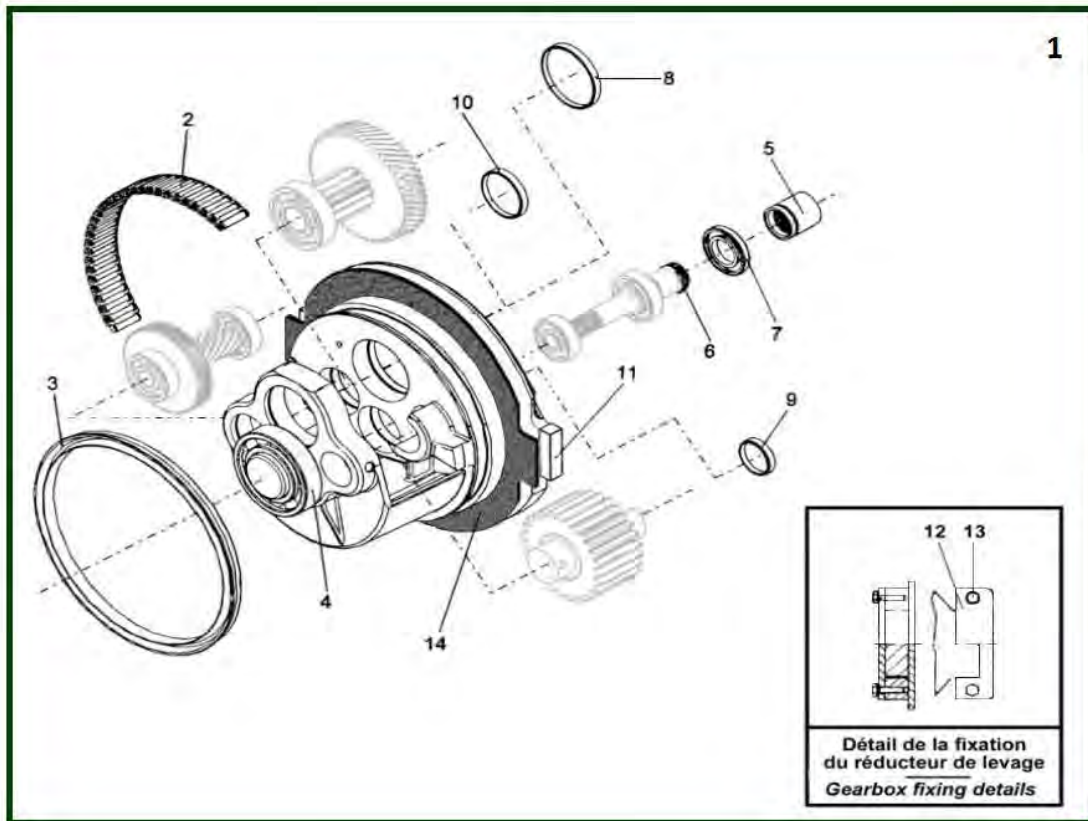
## **5.1) Precut rope**

<b>item</b>	<b>reference</b>	<b>description</b>	<b>observation</b>	<b>Quantity</b>
	<u>53022867</u>	Wire rope - Ø 6 - Left	Lg 36m	1
	<u>53022644</u>	Wire rope - Ø 6 - Left	Lg 37m	1
	<u>53022836</u>	Wire rope - Ø 6 - Left	Lg 38m	1

## 6) Gear

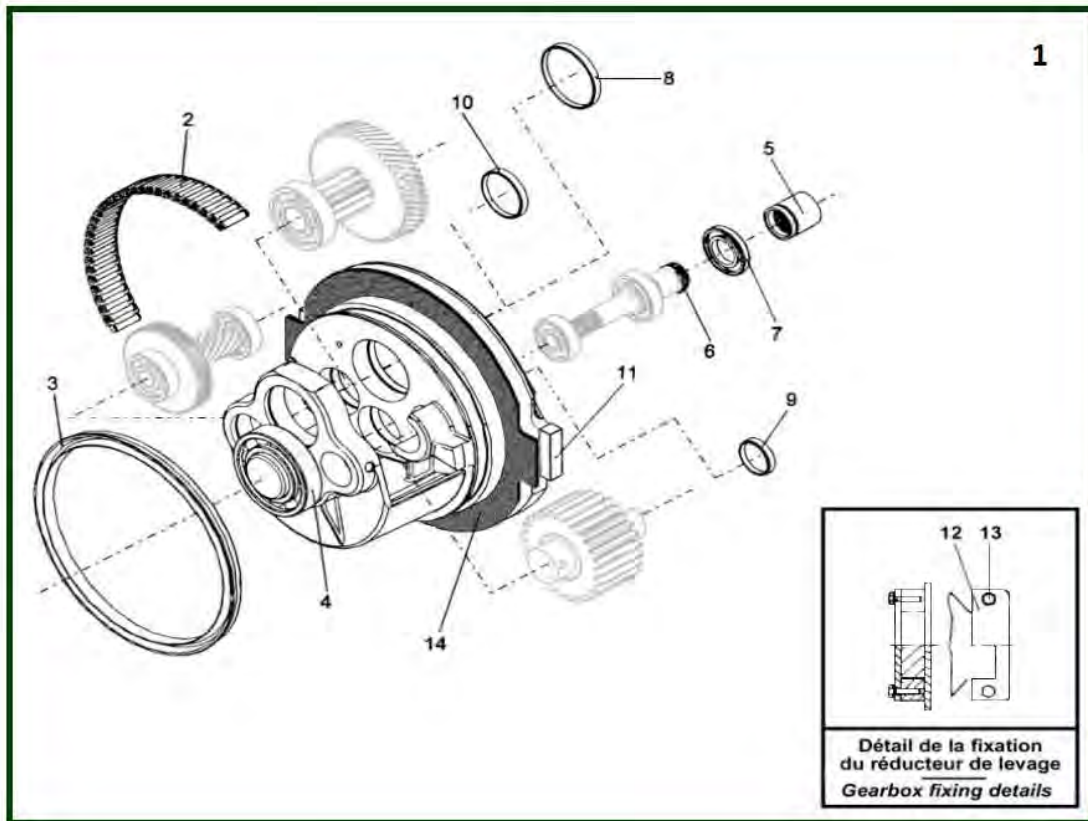


## 6.1) VS2 A and C drum



item	reference	description	observation	Quantity
1	<a href="#">1127502</a>	Gearbox	3G2300	1
2	<a href="#">P3G0004</a>	Bearing		1
3	<a href="#">P3G0005</a>	Sealing		1
4	<a href="#">8110080</a>	Bearing		1
5	<a href="#">P1G0005</a>	Coupling	VS1 N1	1
6	<a href="#">P1G0006</a>	O-ring	VS3 N2	1
7	<a href="#">P3G0011</a>	Sealing		1
8	<a href="#">P2G0005</a>	Cap	VS3 N2	1
9	<a href="#">P3G0013</a>	Cap		1
10	<a href="#">P3G0015</a>	Cap		1
11	<a href="#">1131038</a>	Set of 2 plastic caps	Set de cales + plaques / Set of wedge + stick	1
12	<a href="#">1131036</a>	Gear fixing plates		1
13	<a href="#">830201</a>	Exterior circlip	C3	4
14	<a href="#">S3G0011A</a>	Flat plate	VS3...N2	1

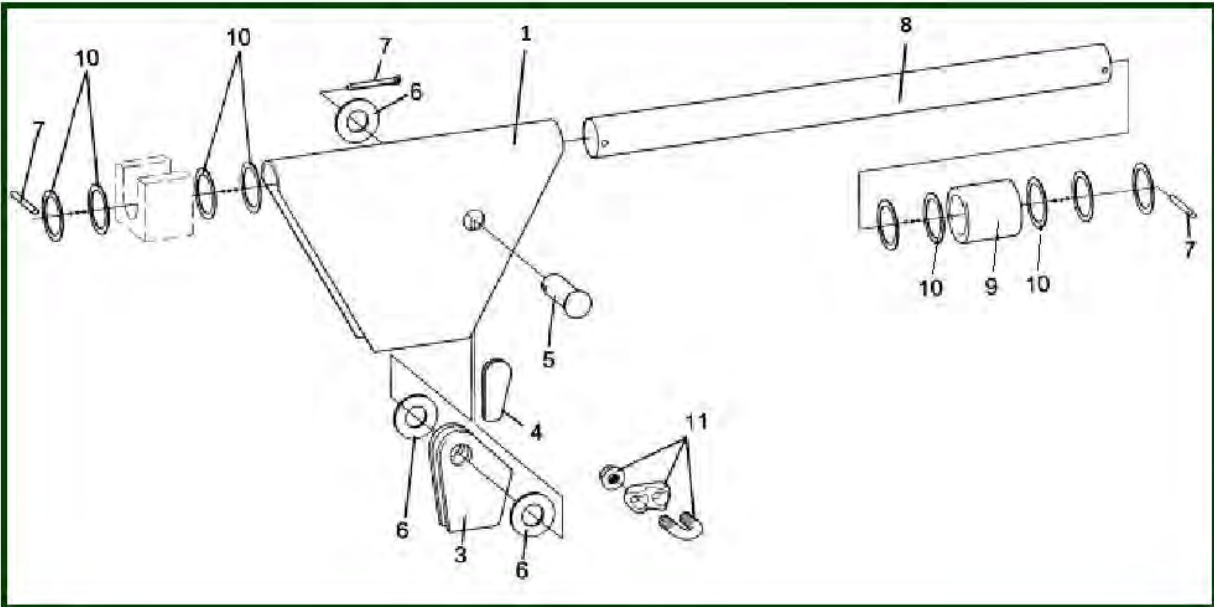
## 6.2) VS2 O drum (VSX)



item	reference	description	observation	Quantity
1	2G2200	Gearbox 2G2200		1
2	P2G0002	Bearling		1
3	P2G0003	Seal		1
4	1306	Bearing	RLT 1306 XL200	1
5	P1G0005	Coupling	VS1 N1	1
6	P1G0006	O-ring	VS3 N2	2
7	7460505V	Seal		1
8	P1G0008	Cap		1
9	P1G0010	Cap		1
10	P2G0005	Cap	VS3 N2	1
11	1111038	Set of 2 plastic caps	Set de cales + plaques / Set of wedge + stick	1
12	1111036	Gear fixing plates		2
13	830201	Exterior circlip	C3	4
14	S3G0011A	Flat plate	VS3...N2	1

## 7) Rope anchorage suspension - 2 falls - FM and NHT

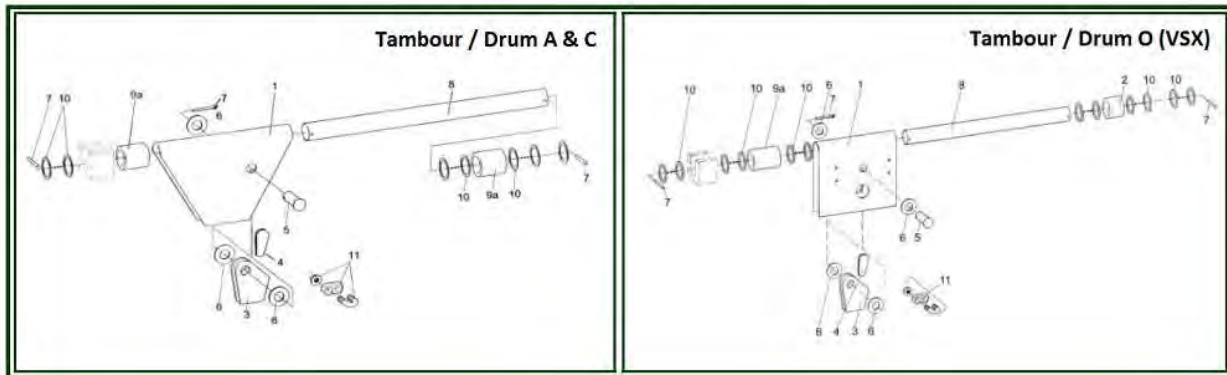
Hauteur Perdue Normale / Normal Headroom Trolley



item	reference	description	observation	Quantity
1	<a href="#">1132510</a>	Support	VS2... A & C	1
3	<a href="#">1112527</a>	Key housing		1
4	<a href="#">1122530</a>	Key		1
5	<a href="#">1112515</a>	Anchor point shaft		1
6	<a href="#">7231202C</a>	Washer		1
7	<a href="#">831662</a>	Pin		1
8	<a href="#">1112518</a>	Support shaft		1
9	<a href="#">1132524</a>	Sleeve	VS2... A & C	1
10	<a href="#">8110003</a>	Washer		18
11	<a href="#">7333080Q</a>	Bull dog grip - ø 8,5	DIN741-6.5	1

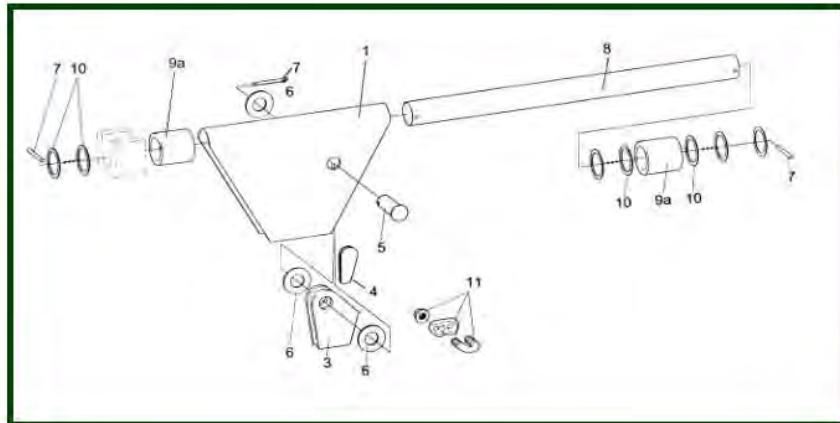
## 8) Rope anchorage suspension - 2 falls - LHT

Hauteur Perdue Réduite / Low Headroom Trolley



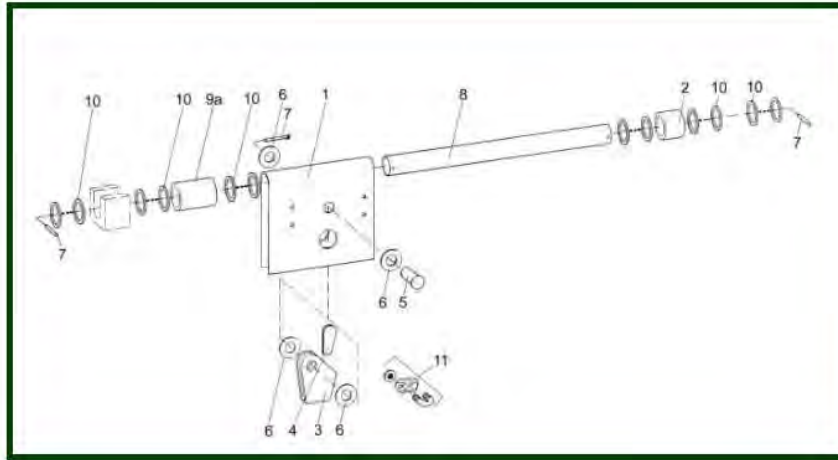


## 8.1) A and C drum



item	reference	description	observation	Quantity
1	<a href="#">1132510</a>	Support	VS2... A & C	1
3	<a href="#">1112527</a>	Key housing		1
4	<a href="#">1122530</a>	Key		1
5	<a href="#">1112515</a>	Anchor point shaft		1
6	<a href="#">7231202C</a>	Washer		3
7	<a href="#">831662</a>	Pin		3
8	<a href="#">1132518</a>	Support Shaft	VS2... A & C	1
9a	<a href="#">1132524</a>	Sleeve	VS2... A & C	2
10	<a href="#">8110003</a>	Washer		14
11	<a href="#">7333080Q</a>	Bull dog grip - ø 8,5	DIN741-6.5	1

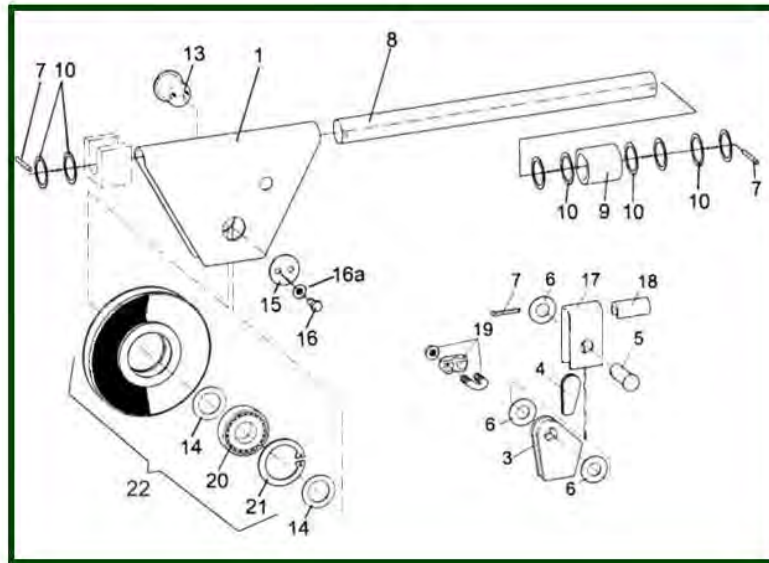
## 8.2 O drum (VSX)



item	reference	description	observation	Quantity
1	<a href="#">1112510</a>	Support		1
2	<a href="#">1112524</a>	Sleeve	VS F/N/R	1
3	<a href="#">1112527</a>	Key housing		1
4	<a href="#">1122530</a>	Key		1
5	<a href="#">1112515</a>	Anchor point shaft		1
6	<a href="#">7231202C</a>	Washer		3
7	<a href="#">831662</a>	Pin		3
8	<a href="#">1112518</a>	Support shaft		1
9a	<a href="#">1132524</a>	Sleeve	VS2... A & C	2
10	<a href="#">1112521</a>	Sleeve	VS F/N/R	1
11	<a href="#">7333080Q</a>	Bull dog grip - ø 8,5	DIN741-6.5	1

## 9) Rope save unit - 4 falls FM and NHT

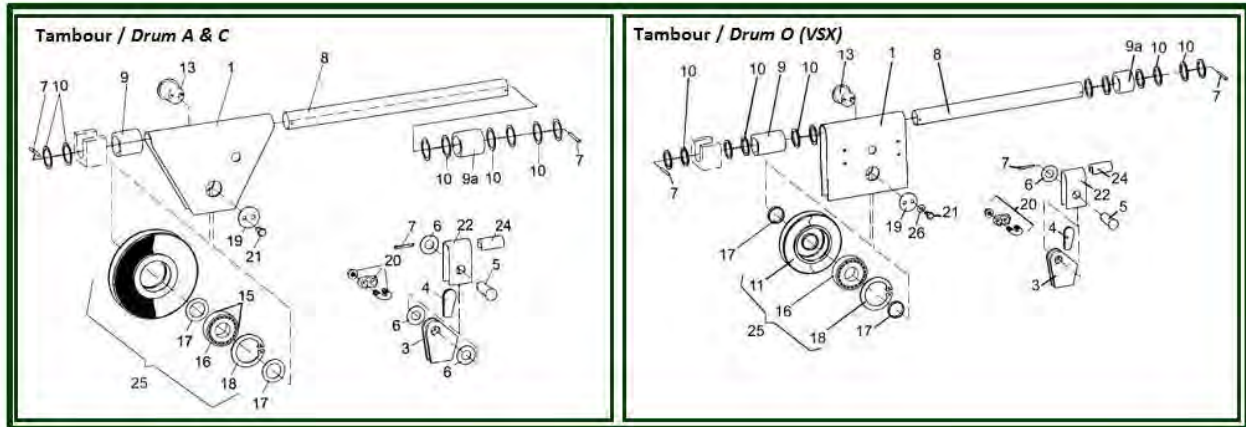
Hauteur Perdue Normale / Normal Headroom Trolley



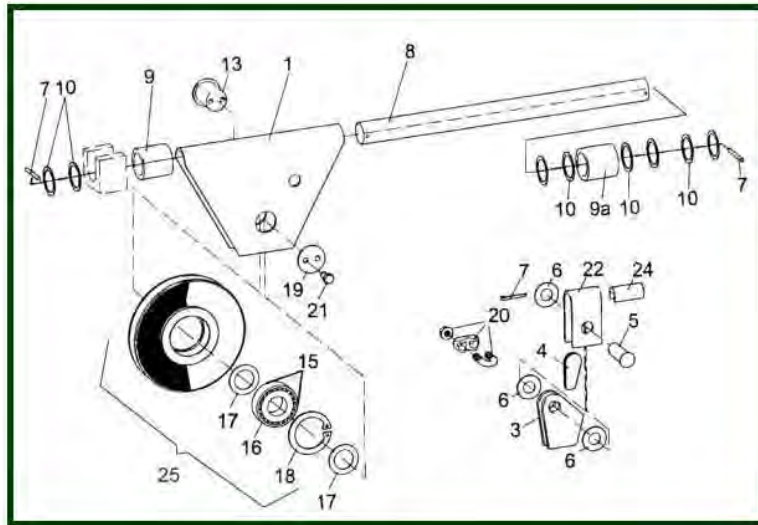
item	reference	description	observation	Quantity
1	<a href="#">1132510</a>	Support	VS2... A & C	1
3	<a href="#">1112527</a>	Key housing		1
4	<a href="#">1122530</a>	Key		1
5	<a href="#">1112515</a>	Anchor point shaft		1
6	<a href="#">7231202C</a>	Washer		1
7	<a href="#">831662</a>	Pin		1
8	<a href="#">1112518</a>	Support shaft		1
9	<a href="#">1132524</a>	Sleeve	VS2... A & C	1
10	<a href="#">8110003</a>	Washer		1
13	<a href="#">1112506</a>	Pulley Shaft		1
14	<a href="#">1112503</a>	Sleeve		2
15	<a href="#">1112509</a>	Washer		1
16	<a href="#">830201</a>	Exterior circlip	C3	2
16a	<a href="#">811011</a>	Washer		1
17	<a href="#">1112534</a>	Rope and support		1
18	<a href="#">1132532</a>	Sleeve		1
19	<a href="#">73333080Q</a>	Rope clamp		1
20	<a href="#">8110307</a>	Bearing		1
21	<a href="#">8130092</a>	Circlip		1
22	<a href="#">1112520</a>	Complete pulley - Ø 125	1AM 20+21+11VS2 A, C et O	1
22	<a href="#">1122520</a>	Pulley with bearing - Ø 125	2M/3M - Poulie+Circlip Ø 80+Roulement / Pulley+Circlip Ø 80+Bearing	1

# 10) Rope sheave unit - 4 falls - LHT

Hauteur Perdue Réduite / Low Headroom Trolley

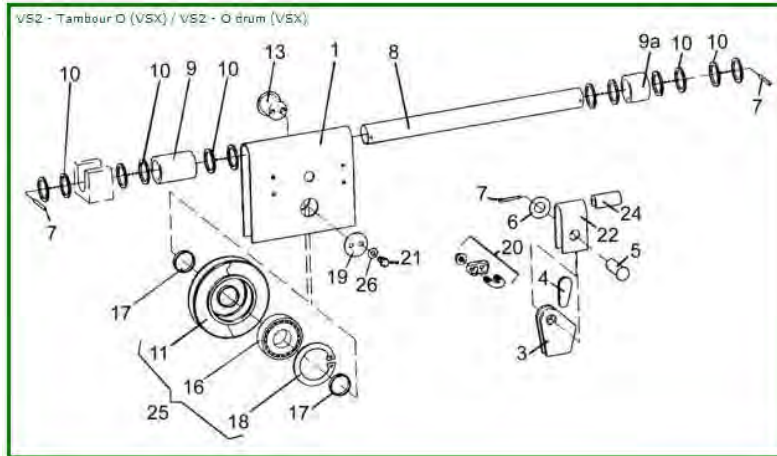


## 10.1) A and C Drum



item	reference	description	observation	Quantity
1	<a href="#">1132510</a>	Support	VS2... A & C	1
3	<a href="#">1112527</a>	Key housing		1
4	<a href="#">1122530</a>	Key		1
5	<a href="#">1112515</a>	Anchor point shaft		1
6	<a href="#">7231202C</a>	Washer		3
7	<a href="#">831662</a>	Pin		1
8	<a href="#">1132518</a>	Support Shaft	VS2... A & C	1
9a	<a href="#">1132524</a>	Sleeve	VS2... A & C	1
10	<a href="#">8110003</a>	Washer		18
13	<a href="#">1112506</a>	Pulley Shaft		1
15	<a href="#">8150099</a>	Nylos seal	1Am/2 & 3m	2
16	<a href="#">8110307</a>	Bearing		1
17	<a href="#">1112503</a>	Sleeve		2
18	<a href="#">8130092</a>	Circlip		1
19	<a href="#">1112509</a>	Washer		1
20	<a href="#">7333080Q</a>	Bull dog grip - ø 8,5	DIN741-6.5	1
21	<a href="#">830201</a>	Exterior circlip	C3	1
22	<a href="#">1112534</a>	Rope and support		1
24	<a href="#">1132532</a>	Sleeve		1
25	<a href="#">1112520</a>	Complete pulley - Ø 125	1AM 20+21+11VS2 A, C et O	1
25	<a href="#">1122520</a>	Pulley with bearing - Ø 125	2M/3M - Poulie+Circlip Ø 80+Roulement / Pulley+Circlip Ø 80+Bearing	1

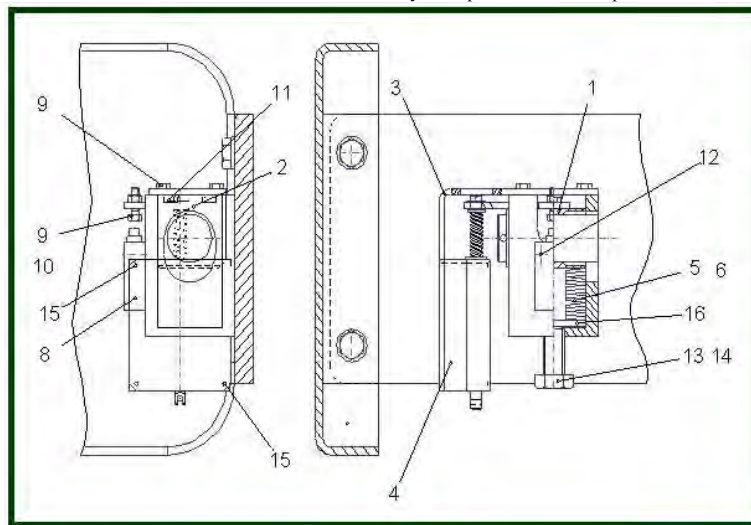
## 10.2) O Drum (VSX)



item	reference	description	observation	Quantity
1	<a href="#">1112510</a>	Support		1
3	<a href="#">1112527</a>	Key housing		1
4	<a href="#">1122530</a>	Key		1
5	<a href="#">1112515</a>	Anchor point shaft		1
6	<a href="#">7231202C</a>	Washer		3
7	<a href="#">831662</a>	Pin		1
8	<a href="#">1112518</a>	Support shaft		1
9a	<a href="#">1112524</a>	Sleeve	VS F/N/R	1
10	<a href="#">8110003</a>	Washer		18
13	<a href="#">1112506</a>	Pulley Shaft		1
15	<a href="#">8150099</a>	Nylos seal	1Am/2 & 3m	2
16	<a href="#">8110307</a>	Bearing		1
17	<a href="#">1112503</a>	Sleeve		2
18	<a href="#">8130092</a>	Circlip		1
19	<a href="#">1112016</a>	Plate		1
20	<a href="#">7333080Q</a>	Bull dog grip - ø 8,5	DIN741-6.5	1
21	<a href="#">830201</a>	Exterior circlip	C3	1
22	<a href="#">1112534</a>	Rope and support		1
24	<a href="#">1132532</a>	Sleeve		1
25	<a href="#">1112520</a>	Complete pulley - Ø 125	1AM 20+21+11VS2 A, C et O	1
26	<a href="#">8110011</a>	Washer		1

## 11) Overload limiter FM,NHT,LHT- Electr.+mechanical with or without hall sensor

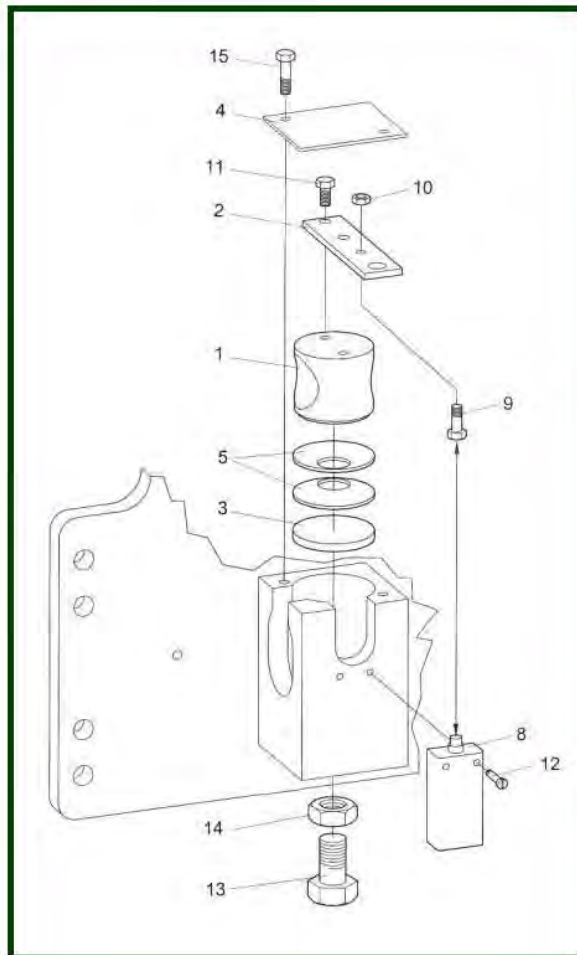
Tambour A et C seulement - A and C drum only - Jusqu'à mars 1999 / Up to march 1999



item	reference	description	observation	Quantity
1	<a href="#">1111523</a>	Sleeve		1
2	<a href="#">1111508</a>	Trigger plate		1
2	<a href="#">1111522</a>	Trigger plate	HPR/LHT	1
3	<a href="#">1113524</a>	Sensor support	HPR/LHT	1
4	<a href="#">1113547</a>	HALL sensor	HPR/LHT VS306/VS404 2/6 - Jusqu'à mars 99 / To march 99	1
5	<a href="#">180053</a>	Spring washer	Type A	1
5	<a href="#">180052</a>	Spring washer	Type B	1
6	<a href="#">180051</a>	Spring limiteur	Type C	1
6	<a href="#">180050</a>	Spring limiteur	Type D - HPR/LHT	1
6	<a href="#">180049</a>	Spring limiteur	Type E - HPR/LHT	1
6	<a href="#">180048</a>	Spring limiteur	Type F	1
7	<a href="#">1115020</a>	Cover	HPR	1
8	<a href="#">8111593</a>	Limit switch		1
9	<a href="#">7211356F</a>	Screw		5
10	<a href="#">831501</a>	Screw M6	Standard	1
11	<a href="#">8110033</a>	Screw		2
12	<a href="#">830930</a>	CHC screw M4x20		2
13	<a href="#">830622</a>	Screw CHC M16x40	Moteur N5	1
14	<a href="#">831574</a>	PAL nut - M16	C1	1
15	<a href="#">811033</a>	Screw		2
16	<a href="#">1111521</a>	Rondelle fond limiteur		1
17	<a href="#">8110502</a>	Truac ring		1

## 12) Overload protection FM, NHT, LHT

Après / After avril 1999

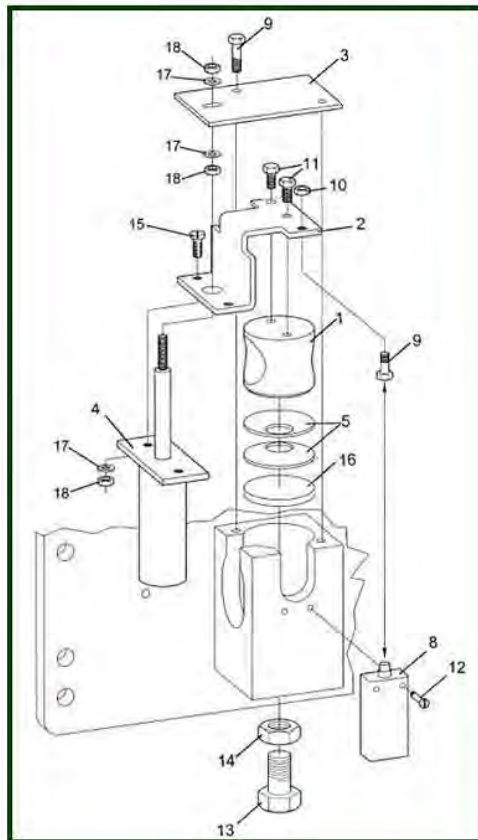


item	reference	description	observation	Quantity
1	<a href="#">1111523</a>	Sleeve		1
2	<a href="#">1111522</a>	Trigger plate	HPR/LHT	1
3	<a href="#">1111521</a>	Rondelle fond limiteur		1
4	<a href="#">1115020</a>	Cover	HPR	1
5	<a href="#">180051</a>	Spring limiteur	Type C	1
5	<a href="#">180050</a>	Spring limiteur	Type D - HPR/LHT	1
5	<a href="#">180049</a>	Spring limiteur	Type E - HPR/LHT	1
5	<a href="#">180048</a>	Spring limiteur	Type F	1
5	<a href="#">180053</a>	Spring washer	Type A	1
5	<a href="#">180052</a>	Spring washer	Type B	1
8	<a href="#">8111593</a>	Limit switch		1
9	<a href="#">7211356F</a>	Screw		1
10	<a href="#">831501</a>	Screw M6	Standard	1
11 & 15	<a href="#">8110033</a>	Screw		4
12	<a href="#">830930</a>	CHC screw M4x20		1
13	<a href="#">830622</a>	Screw CHC M16x40	Moteur N5	1
14	<a href="#">831574</a>	PAL nut - M16	C1	1



### 13) Overload limiter FM,NHT,LHT - Elect. mech + Hall sensor

A partir d'avril 1999 / From april 1999



item	reference	description	observation	Quantity
1	<a href="#">1111523</a>	Sleeve		1
2	<a href="#">1111508</a>	Trigger plate		1
3	<a href="#">1111503</a>	Sensor support		1
4	<a href="#">LP20UFR10</a>	HALL sensor kit		1
5	<a href="#">180051</a>	Spring limiteur	Type C	1
5	<a href="#">180050</a>	Spring limiteur	Type D - HPR/LHT	1
5	<a href="#">180049</a>	Spring limiteur	Type E - HPR/LHT	1
5	<a href="#">180048</a>	Spring limiteur	Type F	1
5	<a href="#">180053</a>	Spring washer	Type A	1
5	<a href="#">180052</a>	Spring washer	Type B	1
8	<a href="#">8111593</a>	Limit switch		1
9	<a href="#">7211356F</a>	Screw		5
10	<a href="#">831501</a>	Screw M6	Standard	1
11	<a href="#">8110033</a>	Screw		2
12	<a href="#">830930</a>	CHC screw M4x20		1
13	<a href="#">830622</a>	Screw CHC M16x40	Moteur N5	1
14	<a href="#">831574</a>	PAL nut - M16	C1	1
15	<a href="#">8110030</a>	Screw CHC 4x16		2
16	<a href="#">1111521</a>	Rondelle fond limiteur		1
17	<a href="#">7231044F</a>	Washer M4		4
18	<a href="#">7221040C</a>	Nut M4		1

## 14) Overload limiter FM, NHT, LHT - Hall sensor

A partir d'avril 1999 / From april 1999

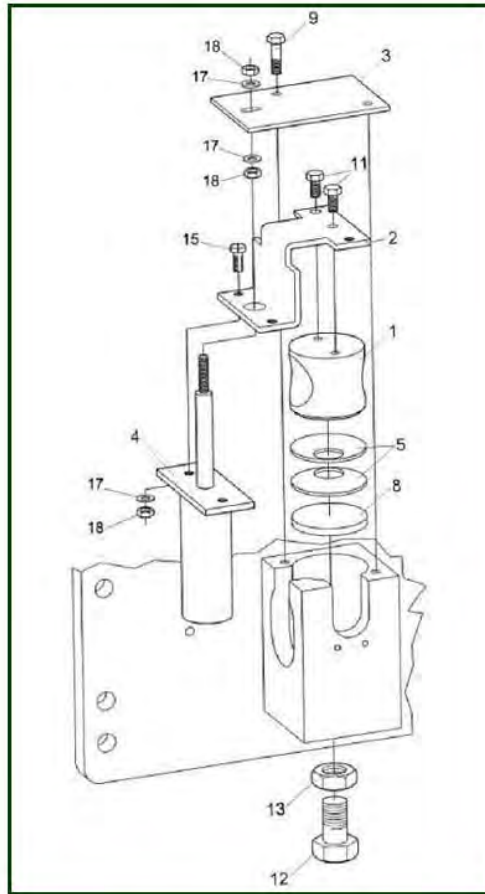


TABLEAU DES RESSORTS VS 2 / SPRING TABLE VS 2

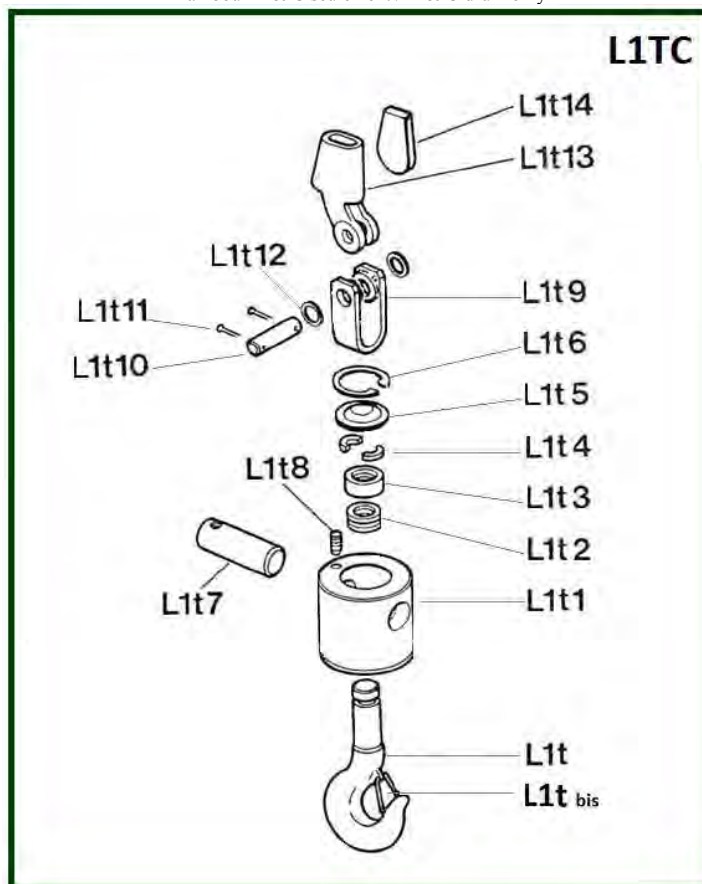
TYPE DE PALAN HOIST TYPE	Type de tambour DRUM TYPE	CHARGE KG LOAD KG	TYPE DE RESSORT TYPE OF SPRING	DISPOSITION POSITION	NB. PC.
VS2 Fixe et HPN / VS2 FM and NHT					
VS 202	A et C	1250 (3m)	D	1x1 opposées	10
		1600 (2m)	C		
		2000 (1Am)	C		
VS 204		2500 (3m)	B		9
		3200 (2m)	A		
		4000 (1Am)	C		
VS2 HPR / VS2 LHT					
VS 202	A et C	1250 (3m)	C	1x1 opposées	10
		1600 (2m)	C		
		2000 (1Am)	B		
VS 204		2500 (3m)	B		9
		A, C et O (VSX)	A		
		A et C	C		

item	reference	description	observation	Quantity
1	<u>1111523</u>	Sleeve		1
1	<u>1112523</u>	Sleeve	HPR / LHT	1
2	<u>1111508</u>	Trigger plate		1
2	<u>1111522</u>	Trigger plate	HPR/LHT	1
3	<u>1111503</u>	Sensor support		1
3	<u>1113524</u>	Sensor support	HPR/LHT	1
4	<u>1111510</u>	Hall sensor		1
4	<u>1113547</u>	HALL sensor	HPR/LHT VS306/VS404 2/6 - Jusqu'à mars 99 / To march 99	1

5	<u>180051</u>	Spring limiteur	Type C	1
5	<u>180050</u>	Spring limiteur	Type D - HPR/LHT	1
5	<u>180049</u>	Spring limiteur	Type E - HPR/LHT	1
5	<u>180048</u>	Spring limiteur	Type F	1
5	<u>180053</u>	Spring washer	Type A	1
5	<u>180052</u>	Spring washer	Type B	1
8	<u>1111521</u>	Rondelle fond limiteur		1
11	<u>8110033</u>	Screw		1
12	<u>830622</u>	Screw CHC M16x40	Moteur N5	1
13	<u>831574</u>	PAL nut - M16	C1	1
15	<u>8110030</u>	Screw CHC 4x16		2
17	<u>7231044F</u>	Washer M4		1
18	<u>7221040C</u>	Nut M4		1

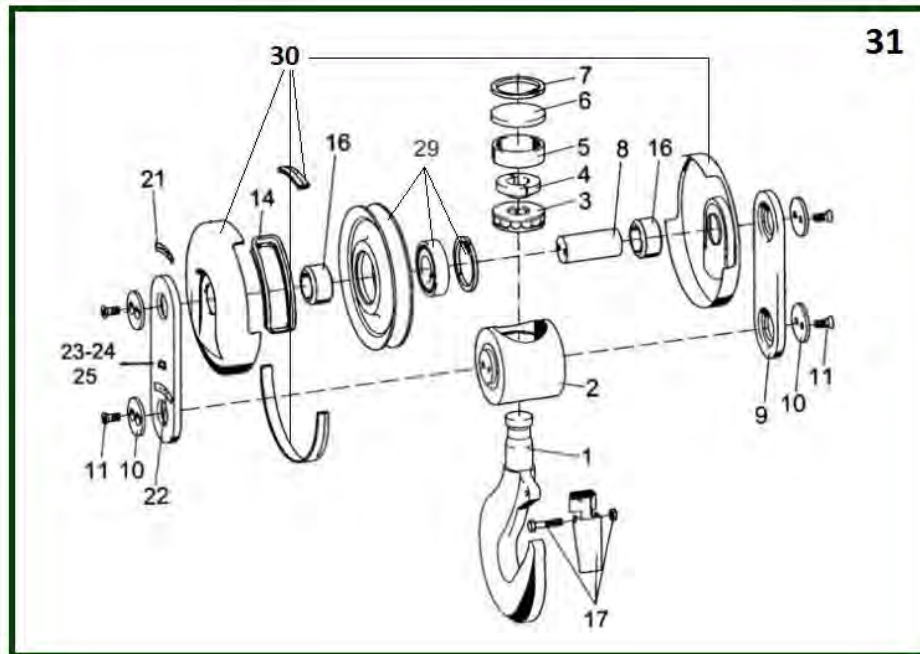
## 15) Lifting hook - 1 roped - 1Am

Tambour A & C seulement / A & C drum only



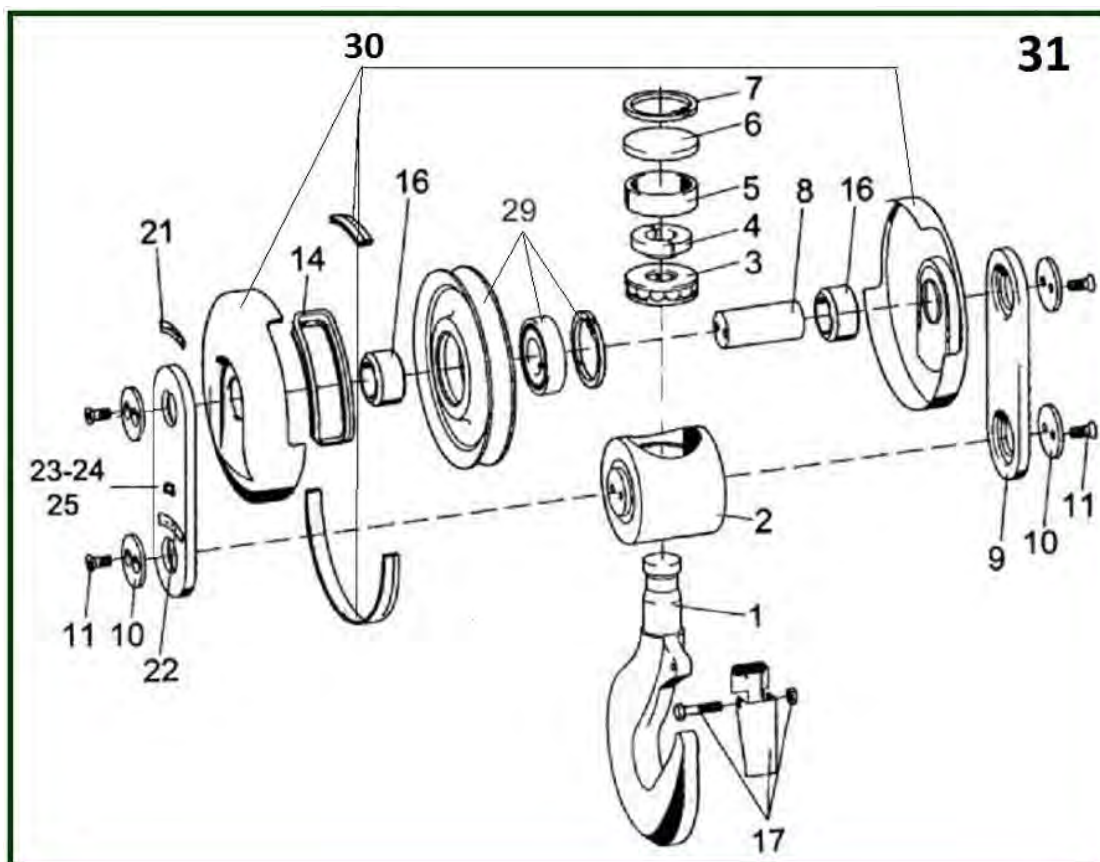
item	reference	description	observation	Quantity
-	<a href="#">SR32F</a>	Safety catch (wire)	Câble / Rope Ø 11 & 12 mm	1
L1T1	<a href="#">5233301W</a>	Washer	Câble / Rope Ø 11 & 12 mm	1
L1T2	<a href="#">7431062S</a>	Thrust bearing		1
L1T3	<a href="#">5233612J</a>	Cylindrical dish	Câble / Rope Ø 11 & 12 mm	1
L1T4	<a href="#">5233613K</a>	Half segment ring	Câble / Rope Ø 11 & 12 mm	1
L1T5	<a href="#">5233615N</a>	Cap	Câble / Rope Ø 11 & 12 mm	1
L1T6	<a href="#">7261080D</a>	Internal circlip - Ø 80		1
L1T7	<a href="#">5233302X</a>	Axle	Câble / Rope Ø 11 & 12 mm	1
L1T8	<a href="#">7217434N</a>	Pointed screw	Câble / Rope Ø 11 & 12 mm	1
L1T9	<a href="#">5233311G</a>	Stirrup	Câble / Rope Ø 11 & 12 mm	1
L1T10	<a href="#">5233312H</a>	Rope anchor pin		1
L1T11	<a href="#">7271404A</a>	Split pin		2
L1T12	<a href="#">7231122R</a>	Washer MU12		2
L1T13	<a href="#">5231410R</a>	Rope anchorage		1
L1T14	<a href="#">8536224E</a>	Key cable	Ø 8.5 mm	1
L1T	<a href="#">5233610G</a>	Hook with safety catch		1
L1TC	<a href="#">3233310T</a>	Complete hook block	Ø 6.5 mm	1

## 16) Lifting hook - 2 falls - 1Am



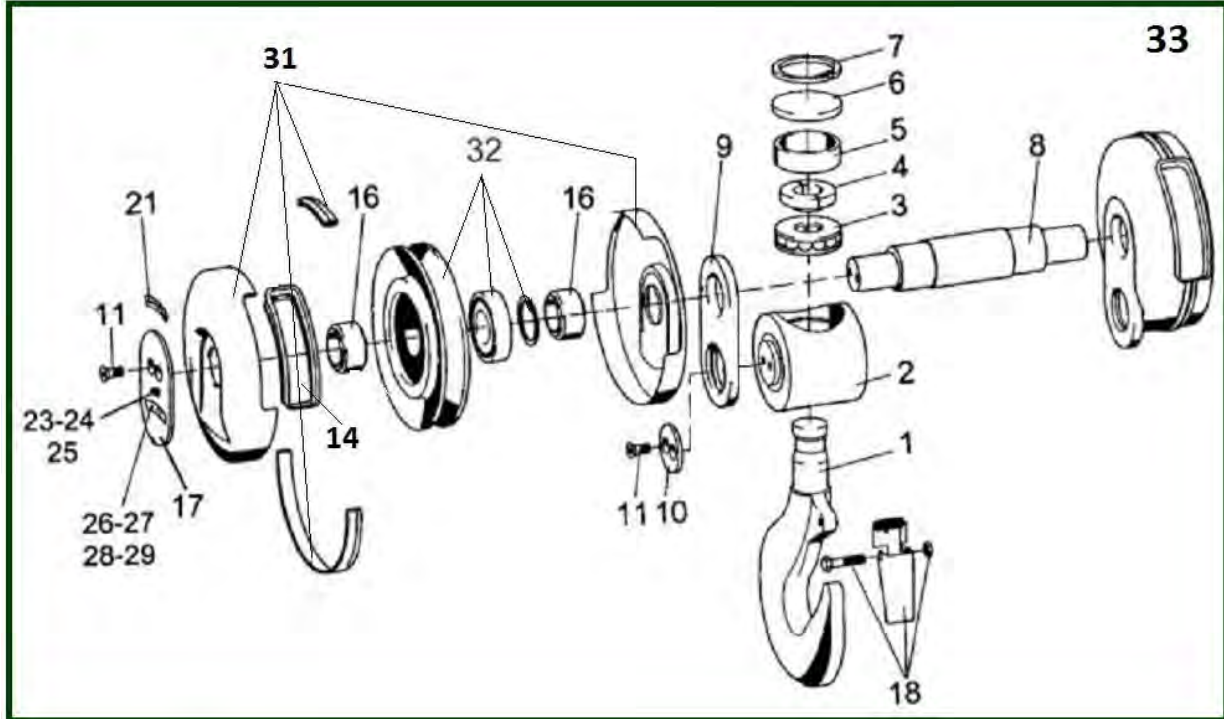
item	reference	description	observation	Quantity
1	<a href="#">1112001</a>	Hook		1
2	<a href="#">1112004</a>	Beam		1
3	<a href="#">7431062S</a>	Thrust bearing		1
4	<a href="#">1112019</a>	Locking parts		1
5	<a href="#">1112018</a>	Safety ring		1
6	<a href="#">1112005</a>	Beam cover		1
7	<a href="#">7261060G</a>	Circlip		1
8	<a href="#">1112012</a>	Pulley shaft		1
9	<a href="#">1112035</a>	Flat bar		2
10	<a href="#">1112016</a>	Plate		4
11	<a href="#">7216403S</a>	Screw		8
14	<a href="#">1112009</a>	Rope shield		2
16	<a href="#">1112031</a>	Bushing		1
17	<a href="#">23233003</a>	Safety latch N°1	RSN08	1
17	<a href="#">52315930</a>	Safety latch plate type	Après / After 06/99	1
21	<a href="#">1112040</a>	Stickers	« VERLINDE »	2
22	<a href="#">1112051</a>	Stickers	« FEM 1Am »	1
23	<a href="#">1122061</a>	Stickers	« 1.25 t »	1
24	<a href="#">1122062</a>	Stickers	« 1.6 t »	1
25	<a href="#">1122063</a>	Stickers	« 2 t »	1
29	<a href="#">1112520</a>	Complete pulley - Ø 125	1AM 20+21+11VS2 A, C et O	1
30	<a href="#">1112086</a>	Cover set + sealing profile		1
31	<a href="#">1122000</a>	Complete hook block		1

## 17) Lifting hook - 2 falls - 2/3m



item	reference	description	observation	Quantity
1	<a href="#">1112001</a>	Hook		1
2	<a href="#">1112004</a>	Beam		1
3	<a href="#">7431062S</a>	Thrust bearing		1
4	<a href="#">1112019</a>	Locking parts		1
5	<a href="#">1112018</a>	Safety ring		1
6	<a href="#">1112005</a>	Beam cover		1
7	<a href="#">7261060G</a>	Circlip		1
8	<a href="#">1112012</a>	Pulley shaft		1
9	<a href="#">1132035</a>	Flat bar		2
10	<a href="#">1112016</a>	Plate		4
11	<a href="#">7216403S</a>	Screw		8
14	<a href="#">1132009</a>	Rope shield		2
16	<a href="#">1122031</a>	Bushing		2
17	<a href="#">23233003</a>	Safety latch N°1	RSN08	1
17	<a href="#">52315930</a>	Safety latch plate type	Après / After 06/99	1
21	<a href="#">1112040</a>	Stickers	« VERLINDE »	2
22	<a href="#">1112052</a>	Stickers	« FEM 2m »	2
23	<a href="#">1112053</a>	Stickers	« FEM 3m »	2
24	<a href="#">1122061</a>	Stickers	« 1.25 t »	2
25	<a href="#">1122062</a>	Stickers	« 1.6 t »	2
26	<a href="#">1122063</a>	Stickers	« 2 t »	2
29	<a href="#">1122620</a>	Pulley with bearing	2M/3M - Roulement+Circlips intérieur Ø 80 / Bearing+Circlips Ø 80	1
30	<a href="#">1132086</a>	Hook cover kit	Demi-coquilles+Joints profilés / Cover+ Sealing profile	1
31	<a href="#">1122100</a>	Complete hook block		1

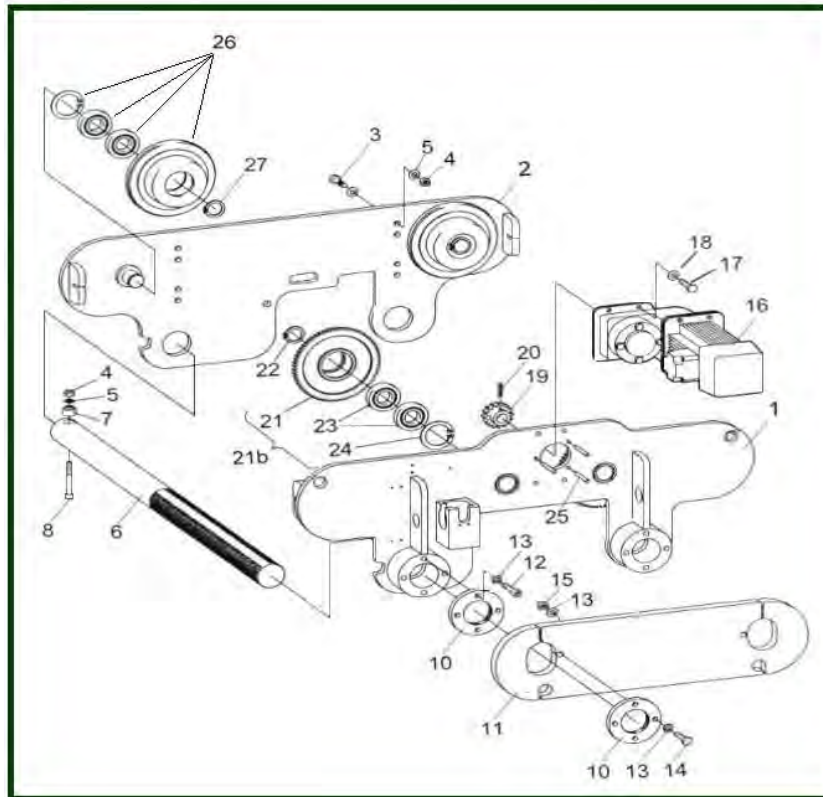
## 18) Lifting hook - 4 falls - 1Am/2m/3m



item	reference	description	observation	Quantity
1	<a href="#">1132001</a>	Complete hook block n°2.5		1
2	<a href="#">1122004</a>	Beam		1
3	<a href="#">8130071</a>	Thrust bearing		1
4	<a href="#">1132019</a>	Locking parts		1
5	<a href="#">1132018</a>	Safety ring		1
6	<a href="#">1132005</a>	Beam cover		1
7	<a href="#">7261060G</a>	Circlip		1
8	<a href="#">1132013</a>	Shaft		1
9	<a href="#">1132036</a>	Flat bar		2
10	<a href="#">1112016</a>	Plate		4
11	<a href="#">7216403S</a>	Screw		8
14	<a href="#">1132009</a>	Rope shield		2
16	<a href="#">1122031</a>	Bushing		2
17	<a href="#">1132017</a>	Plate		1
18	<a href="#">33233003</a>	Safety catch N°2.5		1
18	<a href="#">52315931</a>	Safety catch plate type N°2.5	Après / After 06/99	1
21	<a href="#">1112040</a>	Stickers	« VERLINDE »	2
23	<a href="#">1112051</a>	Stickers	« FEM 1Am »	2
24	<a href="#">1112052</a>	Stickers	« FEM 2m »	2
25	<a href="#">1112053</a>	Stickers	« FEM 3m »	2
26	<a href="#">1122063</a>	Stickers	« 2 t »	2
27	<a href="#">1122064</a>	Stickers	« 2.5 t »	2
28	<a href="#">1122065</a>	Stickers	« 3.2 t »	2
29	<a href="#">1122066</a>	Stickers	« 4 t »	2
31	<a href="#">1132086</a>	Hook cover kit	Demi-coquilles+Joints profilés / Cover+ Sealing profile	1
32	<a href="#">1122620</a>	Pulley with bearing	2M/3M - Roulement+Circlips intérieur Ø 80 / Bearing+Circlips Ø 80	1
33	<a href="#">1122002</a>	Complete hook block		1

## 19) LHT Trolley

Hauteur Perdue Réduite-Tambour A,C & O (VSX) / Low Headroom Trolley - Drum A,C & O (VSX) - \* A la commande / On order



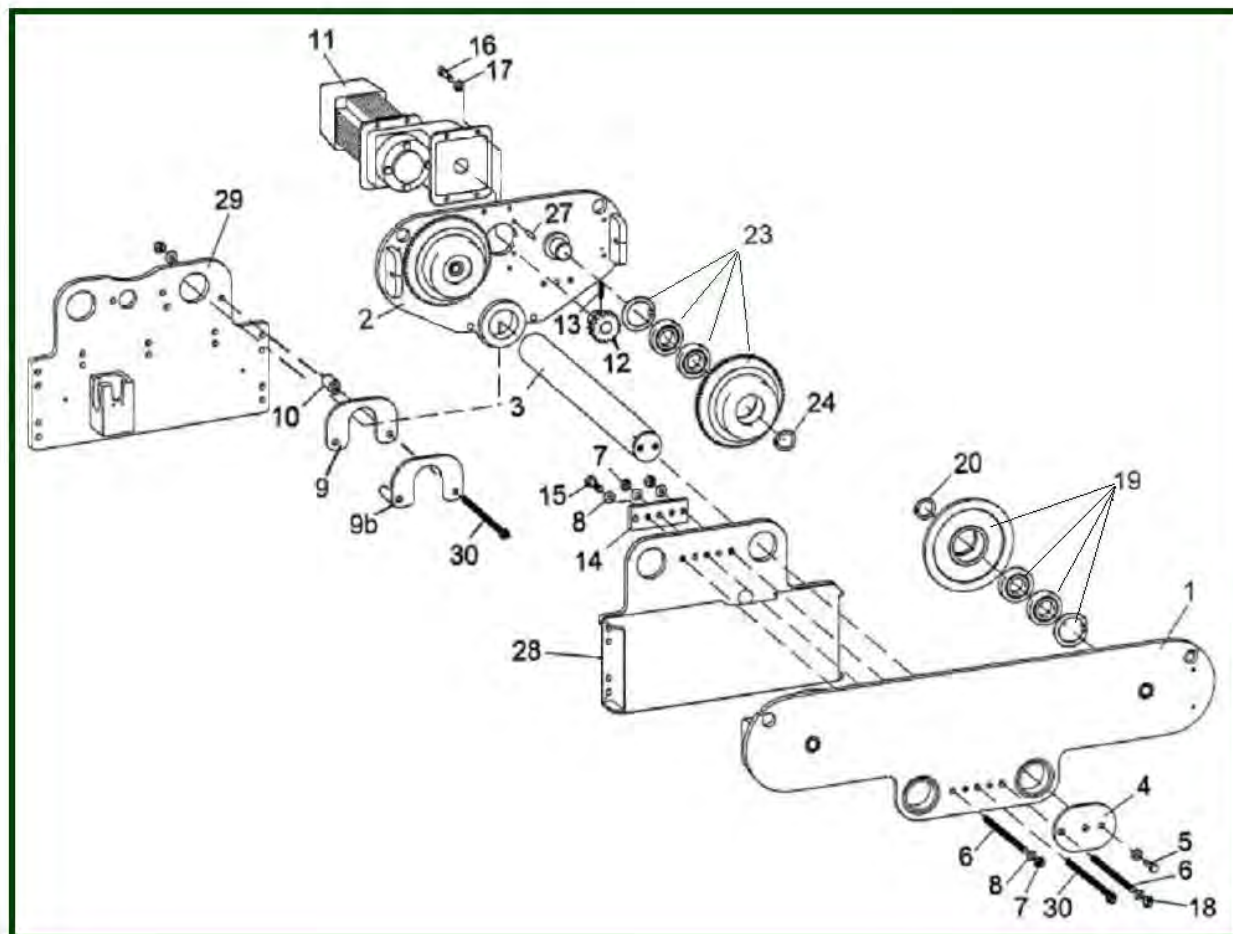
item	reference	description	observation	Quantity
1	<a href="#">VXLAB10A</a>	Side plate for LHT hoist - Motor side	* XS2-VS2...R..O (VSX)	1
1	<a href="#">1133514</a>	Side plate for LHT hoist - Motor side	* XS2-VS2/VS3...R..A	1
1	<a href="#">1133614</a>	Side plate for LHT hoist - Motor side	* XS2-VS2/VS3...R..C	1
2	<a href="#">VXLA010A</a>	Side plate for LHT hoist - Idle side	* XS2-VS2...R..O (VSX)	1
2	<a href="#">1133611</a>	Side plate for LHT hoist - Idle side	XS2 - VS202...R..C - VS204...R..C	1
2	<a href="#">1133511</a>	Side plate - LHT	XS2 - VS202...R..A - XS3 - VS302...R..A - VS304...R..A	1
3	<a href="#">8110042</a>	Fixing screw set		4
4	<a href="#">8113533</a>	Durlock Nut		12
5	<a href="#">7231202C</a>	Washer		8
6	<a href="#">1133541</a>	Threaded bar		2
6	<a href="#">VXLA001A</a>	Threaded bar	* VS2...R..O (VSX)	1
7	<a href="#">1133542</a>	Bushing		4
7	<a href="#">1113542</a>	Bushing	* XS2-VS2...R..O (VSX)	2
8	<a href="#">830941</a>	CHC screws 10 x 60	* XS2-VS2... A et C (qty 4) - VS2...R..O (VSX) (qty 2)	2
10	<a href="#">1133543</a>	Tie rod nut		4
11	<a href="#">VXLA003A</a>	Counterweight	* VS2...R..O (VSX)	2
11	<a href="#">1133548</a>	Counterweight	* XS2-VS2/VS3...R..A	2
11	<a href="#">1133648</a>	Counterweight	* XS2-VS2/VS3...R..C	2
12	<a href="#">830211</a>	HM screw	PRC2/3	4
13	<a href="#">7232080G</a>	GROWER washer - Ø 8		6
14	<a href="#">7211462W</a>	Screws		2
15	<a href="#">831504</a>	Brake washer AZ M8	VS4...B...D - VS5...D/E	2
16	<a href="#">Voir Chap 21</a>	Travelling motorgear	GS2...RPC+MF07	1
17	<a href="#">8011045</a>	Screws		4
18	<a href="#">7232100D</a>	GROWER washer M10	DIN12 Standard - Frein automatique/Automatic brake	4



19	<u>1113532</u>	Drive wheel - 19 th		1
20	<u>7273458H</u>	Pin		1
21b	<u>1113508</u>	Driving wheel set - Ø 100	VB10D:100mm - VB10D - VS2..R..O (VSX) 2 roulements+1 circlip+1 galet moteur 2 Bearings+1 circlip+1 geared wheel	2
21b	<u>1133508</u>	Geared travel wheel	Chariot 1 GMR (2) - Chariot 2 GMR (4) - VB13 - Ø 125mm	1
23	<u>8110081</u>	Bearing		4
24	<u>7261072V</u>	Circlip		2
25	<u>8110059</u>	Dowell		3
26b	<u>1113507</u>	Idle wheel set - Ø 100	VB10D:100mm - VB10D - VS2..R..O (VSX) 2 roulements+1 circlip+1 galet porteur 2 Bearings+1 circlip+1 geared wheel	2
26b	<u>1133507</u>	Ungeared wheel	Chariot 1 GMR (2) - Chariot 2 GMR (4) - VB13 - Ø 125mm	1
27	<u>400078</u>	Exterior circlip Ø 35	C2	2
-	<u>15038001</u>	Buffer	Tous types /All types	1
-	<u>1123517</u>	Buffer assy		1
-	<u>1133566</u>	Limit switch set (travel)		1
-	<u>7541312D</u>	Travel limit switch	C1-C2-C3	1

## 20) NHT Trolley

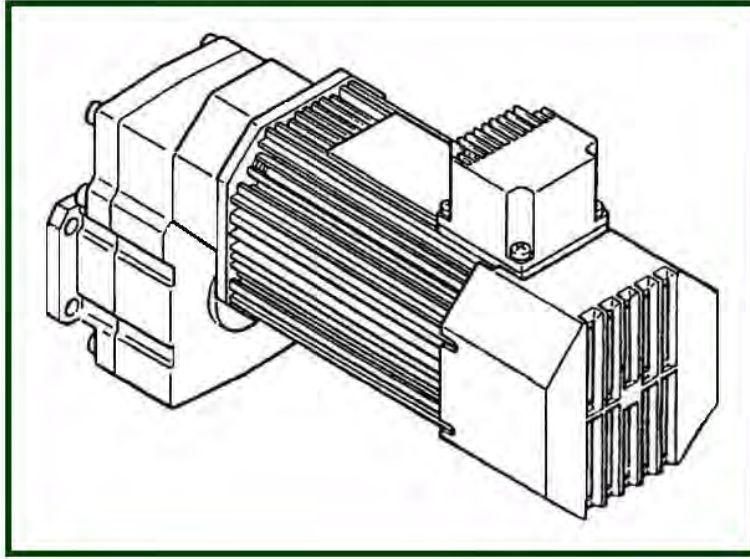
Hauter Perdue Normale - Tambour A & C seulement / Normal Headroom Trolley - A & C drum only



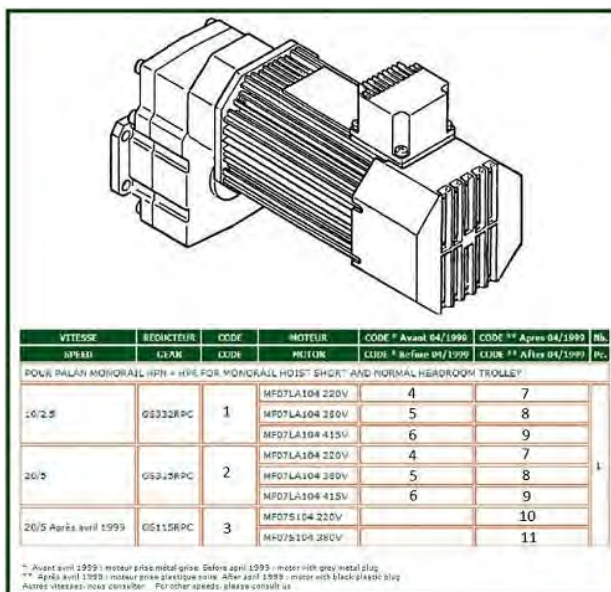
item	reference	description	observation	Quantity
1	<a href="#">1134521</a>	Opposite motor side plate only	VS2/VS3..N..A	1
1	<a href="#">1134531</a>	Side plate		1
3	<a href="#">1134541</a>	Tie rod		2
4	<a href="#">1134544</a>	Locking plate		1
5	<a href="#">830917</a>	Screw CHC 8 x 25	Moteur N3 - Vis à coller / Screw paste	4
6	<a href="#">1114503</a>	Threaded bar		2
9	<a href="#">1134545</a>	Locking plate		2
9b	<a href="#">1134547</a>	Locking plate+bushing		1
10	<a href="#">1134511</a>	Bushing		2
11	<a href="#">Voir chap. 21</a>	Travelling motorgear	GS2 RPC+MF07	1
12	<a href="#">1113532</a>	Drive wheel - 19 th		1
13	<a href="#">7273458H</a>	Pin		1
14	<a href="#">1134502</a>	Clamping date		1
15	<a href="#">830407</a>	Screw		2
16	<a href="#">8011550</a>	Screw		4
17	<a href="#">7232100D</a>	GROWER washer M10	DIN12 Standard - Frein automatique/Automatic brake	8
18	<a href="#">831594</a>	NYLSTOP nut - M12 - DIN985	PRC1	5
19	<a href="#">1133507</a>	Ungeared wheel	Chariot 1 GMR (2) - Chariot 2 GMR (4) - VB13 - Ø 125mm	1
23	<a href="#">1133508</a>	Geared travel wheel	Chariot 1 GMR (2) - Chariot 2 GMR (4) - VB13 - Ø 125mm	1
24	<a href="#">400078</a>	Exterior circlip Ø 35	C2	2
27	<a href="#">8110059</a>	Dowell		3

28	<u>1134614</u>	Side plate NHT	XS2-VS202...N..C - VS204...N..C	1
28	<u>1134514</u>	Side plate - NHT	VS2 N A - VS302...N..A VS304...N..A	1
29	<u>1134515</u>	Side plate - NHT	XS2 - VS2...N..A - XS3 - VS3...N..A	1
29	<u>1134615</u>	Welded side plate	XS2-VS2...N...C	1
30	<u>1114504</u>	Threaded bar		3
-	<u>1114525</u>	Limit switch assy (travel)		1
-	<u>7541312D</u>	Travel limit switch	C1-C2-C3	1

## 21) Motorgear

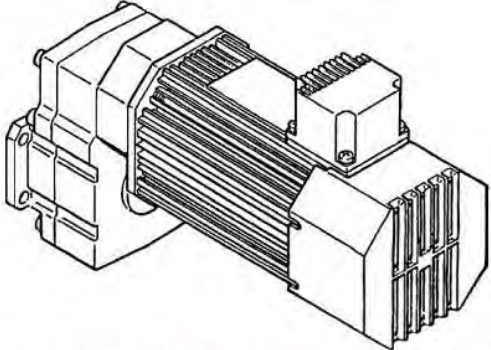


## 21.1) Monorail hoist LHT + NHT



item	reference	description	observation	Quantity
1	<a href="#">1117507</a>	Gearbox GS332RPC	Vitesse / Speed 10/2,5	1
2	<a href="#">1117504</a>	Gearbox GS315RPC	Vitesse / Speed 20/5	1
3	<a href="#">1117510</a>	Gearbox GS115RPC	Vitesse / Speed 20/5 Après avril 1999 / After april 1999	1
4	<a href="#">25808102</a>	Travelling motor MF07LA104 3000/750 - 220V/50Hz - 0,25/0,06KW	Prise Wieland avant avril 1999 Wieland plug before april 1999 GS315RPC : VS304<5T & VS306	1
5	<a href="#">25808103</a>	Travelling motor MF07LA104 3000/750 - 380V/50Hz - 0,25/0,06KW	Prise Wieland avant avril 1999 Wieland plug before april 1999 GS315RPC : VS304<5T & VS306	1
6	<a href="#">25808104</a>	Travelling motor MF07LA14 3000/750 - 415V/50Hz - W415V - 0,25/0,06KW	Prise Wieland avant avril 1999 Wieland plug before april 1999 GS315RPC : VS304<5T & VS306	1
7	<a href="#">25808102P</a>	Travelling motor MF07LA104 3000/750 - 220V/50Hz - 0,25/0,06KW	Prise plastique après avril 1999 Plastic plug after april 1999 GS315RPC : VS304<5T & VS306	1
8	<a href="#">25808103P</a>	Travelling motor MF07LA104 3000/750 - 380V/50Hz - 0,25/0,06KW	Prise plastique après avril 1999 Plastic plug after april 1999 GS315RPC : VS304<5T & VS306	1
9	<a href="#">25808104P</a>	Travelling motor MF07LA14 3000/750 - 415V/50Hz - W415V - 0,25/0,06KW	Prise plastique après avril 1999 Plastic plug after april 1999	1
10	<a href="#">25808112</a>	Travelling motor MF07S104 3000-750t/mn - 0.20/0.05kw - 230V/50Hz	Prise plastique après avril 1999 Plastic plug after april 1999 VS302	1
11	<a href="#">25808113</a>	Travelling motor MF07S104 3000-750t/mn - 0.20/0.05kw - 400v/50Hz	Prise plastique après avril 1999 Plastic plug after april 1999 VS302	1
12	<a href="#">1113532</a>	Drive wheel - 19 th		1
13	<a href="#">7273458H</a>	Pin		1

## 21.2) Double girder



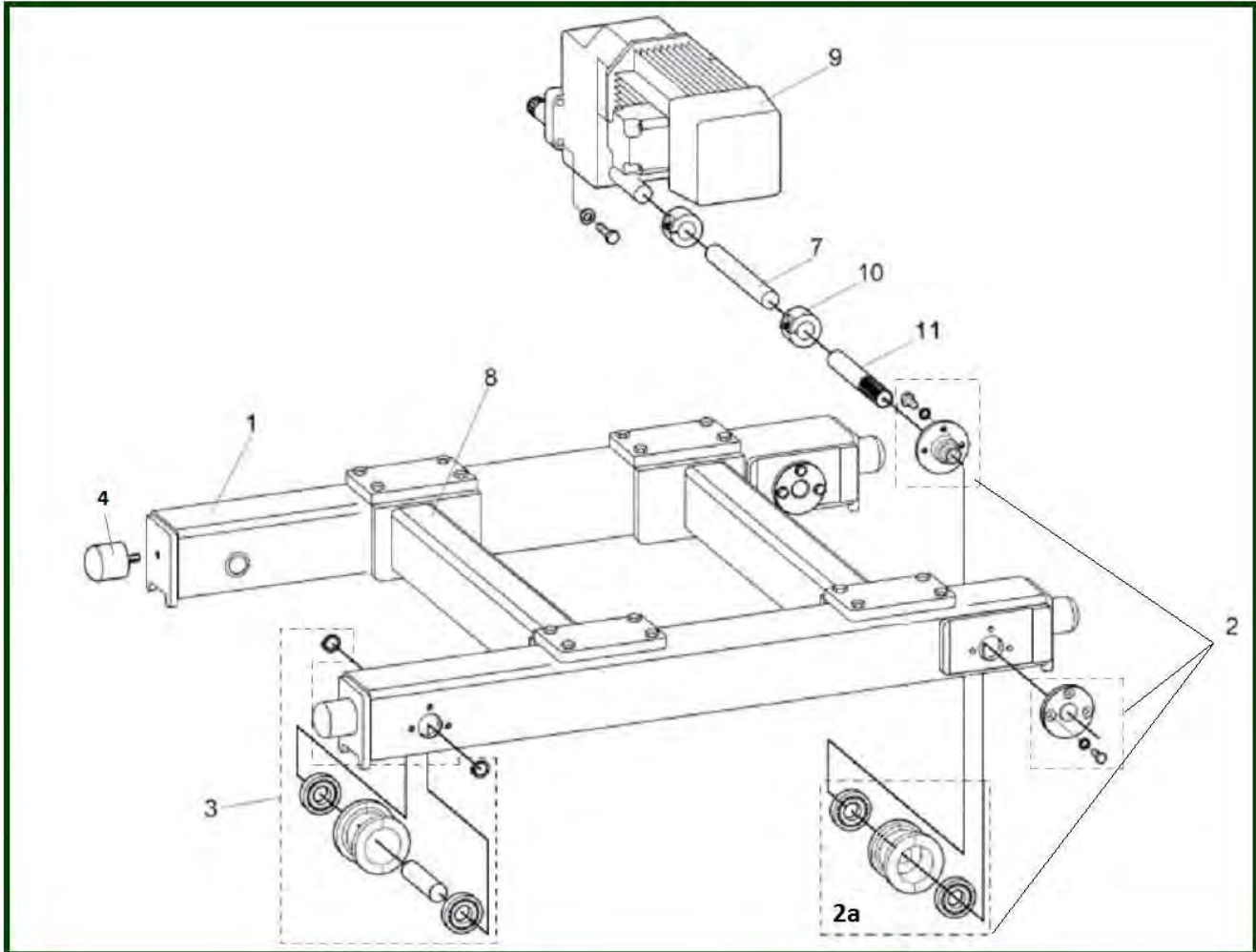
VITESSE	REDUCTEUR	CODE	MOTEUR	CODE * Avant 04/1999	CODE ** Apres 04/1999	Rb.
SPEED	GEAR	CODE	MOTOR	CODE * Before 04/1999	CODE ** After 04/1999	Pc.
POUR PALAN BIRAIL HPN + HPR FOR BIRAIL HOIST SHORT AND NORMAL HEADROOM TROLLEY						
10/3	GS240RPD	1	MF07LA206 220V	2	8	t
			MF07LA206 380V	3	9	
			MF07LA206 415V	4	10	
20/5			MF07LA104 220V	5	8	
			MF07LA104 380V	6	9	
			MF07LA104 415V	4	10	

\* Avant avril 1999 : moteur prise métal grise Before april 1999 : motor with grey metal plug  
 \*\* Après avril 1999 : moteur prise plastique noire After april 1999 : motor with black plastic plug  
 Autres vitesses, nous consulter For other speeds, please consult us

item	reference	description	observation	Quantity
1	<u>1147202</u>	Gear GS 240 RPD		0
2	<u>25518102</u>	Travelling motor MF07LA206 1500/500 - 220V/50Hz - 0.27/0.07Kw	Prise Wieland avant avril 1999 / Wieland plug before april 1999	1
3	<u>25518103</u>	Travelling motor MF07LA206 1500/500 - 380 400V/50Hz - 0.27/0.07Kw	Prise Wieland avant avril 1999 / Wieland plug before april 1999	1
4	<u>25518104</u>	Travelling motor MF07LA206 1500/500 - 415V/50Hz - 0.27/0.07Kw	Prise Wieland avant avril 1999 / Wieland plug before april 1999	1
5	<u>25808102</u>	Travelling motor MF07LA104 3000/750 - 220V/50Hz - 0,25/0,06KW	Prise Wieland avant avril 1999 Wieland plug before april 1999 GS315RPC : VS304<5T & VS306	1
6	<u>25808103</u>	Travelling motor MF07LA104 3000/750 - 380V/50Hz - 0,25/0,06KW	Prise Wieland avant avril 1999 Wieland plug before april 1999 GS315RPC : VS304<5T & VS306	1
7	<u>25808104</u>	Travelling motor MF07LA14 3000/750 - 415V/50Hz - W415V - 0,25/0,06KW	Prise Wieland avant avril 1999 Wieland plug before april 1999 GS315RPC : VS304<5T & VS306	1
8	<u>25518102P</u>	Travelling motor MF07LA206 1500/500 - 220V/50Hz - 0.27/0.07Kw	Prise plastique après avril 1999 / Plastic plug after april 1999	1
9	<u>25518103P</u>	Travelling motor MF07LA206 1500/500 - 380 400V/50Hz - 0.27/0.07Kw	Prise plastique après avril 1999 / Plastic plug after april 1999	1
10	<u>25518104P</u>	Travelling motor MF07LA206 1500/500 - 415V/50Hz - 0.27/0.07Kw	Prise plastique après avril 1999 / Plastic plug after april 1999	1
11	<u>25808102P</u>	Travelling motor MF07LA104 3000/750-220V/50Hz-0,25/0,06KW	Prise plastique après avril 1999 Plastic plug after april 1999 GS315RPC : VS304<5T & VS306	1
12	<u>25808103P</u>	Travelling motor MF07LA104 3000/750 - 380V/50Hz - 0,25/0,06KW	Prise plastique après avril 1999 Plastic plug after april 1999 GS315RPC : VS304<5T & VS306	1
13	<u>25808104P</u>	Travelling motor MF07LA14 3000/750 - 415V/50Hz - W415V - 0,25/0,06KW	Prise plastique après avril 1999 Plastic plug after april 1999	1

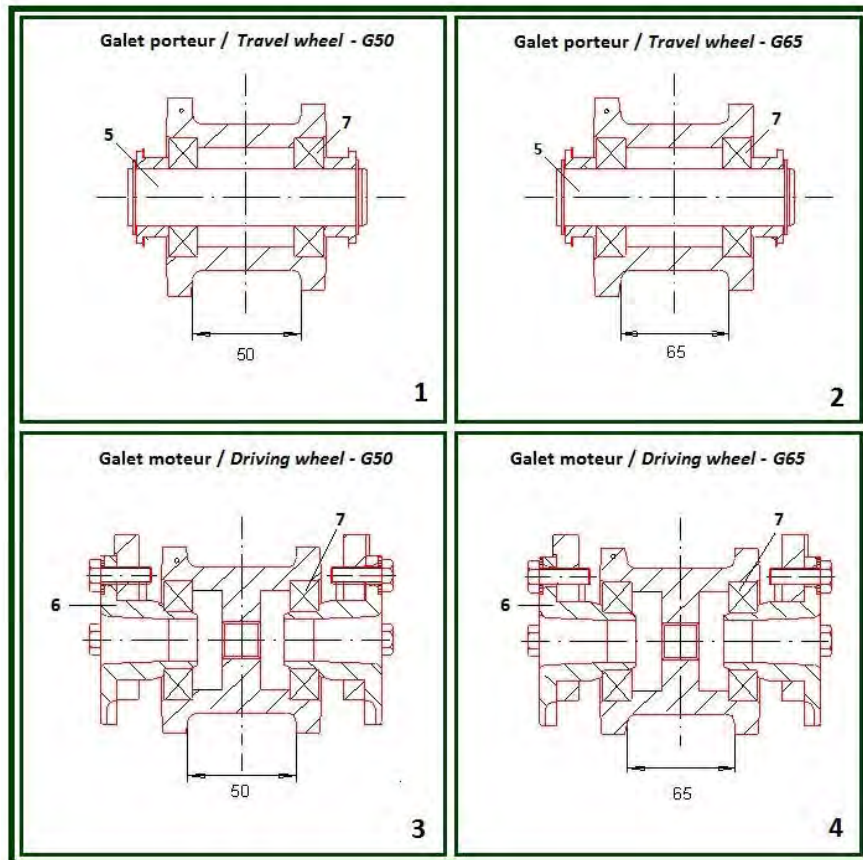
## 22) Double girder trolley

Tambour A et C seulement - A and C drum only



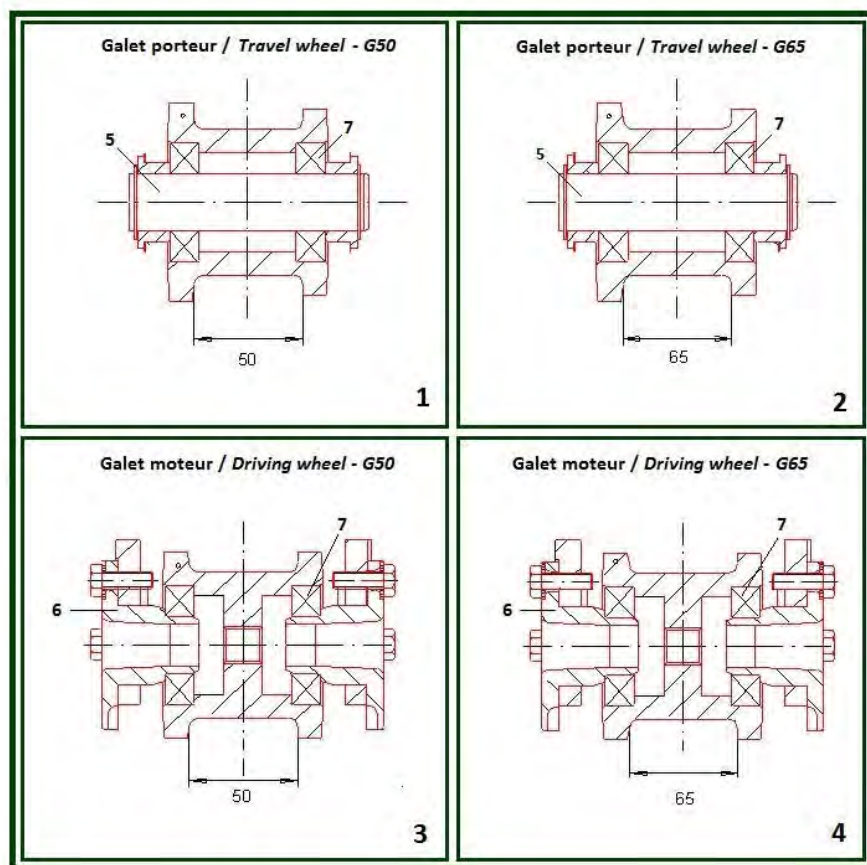
item	reference	description	observation	Quantity
1	<a href="#">NC SVP09</a>	End carriage	VS202...F	2
1	<a href="#">NC SVP11</a>	End carriage	VS402	2
2	<a href="#">15503001</a>	Driving wheel set - ø 90 - G50	VS302..F - VS402 A partir / Since 1999	2
2	<a href="#">15503005</a>	Driving wheel set - ø 90 - G65	VS302..F - VS402 A partir / Since 1999	2
2a	<a href="#">15803001</a>	Driving wheel set - ø 110 - G50	VP11 - VS304..F - VS402	2
2a	<a href="#">15803005</a>	Driving wheel set - ø 110 - G65	VP11 - VS304..F - VS402	2
3	<a href="#">15503006</a>	Travel wheel set ø 90 - G65	VS202/VP9 - VS302..F - VS402 A partir / Since 1999	2
3	<a href="#">15503003</a>	Travel wheel set - ø 90 - G50	VS202/VP9 - VS302..F - VS402 A partir / Since 1999	2
3a	<a href="#">15803003</a>	Travel wheel set - ø 110 - G50	VS402 / VP11 - VS204	2
3a	<a href="#">15803006</a>	Travel wheel set - ø 110 - G65	VS402 / VP11 - VS204	2
4	<a href="#">15503007</a>	Buffer set		4
7	<a href="#">NC ARB</a>	Spline shaft		1
8	<a href="#">NC TRA</a>	Beam set		2
9	<a href="#">NC MREDD</a>	Travelling motorgear	GS2... RPD+MF07	1
10	<a href="#">1137231</a>	Coupling	VS402 < 25mn	2
11	<a href="#">1137230</a>	Splined shaft	VS402 < 25mn	1

## 23) Wheel set VP09 and VP11



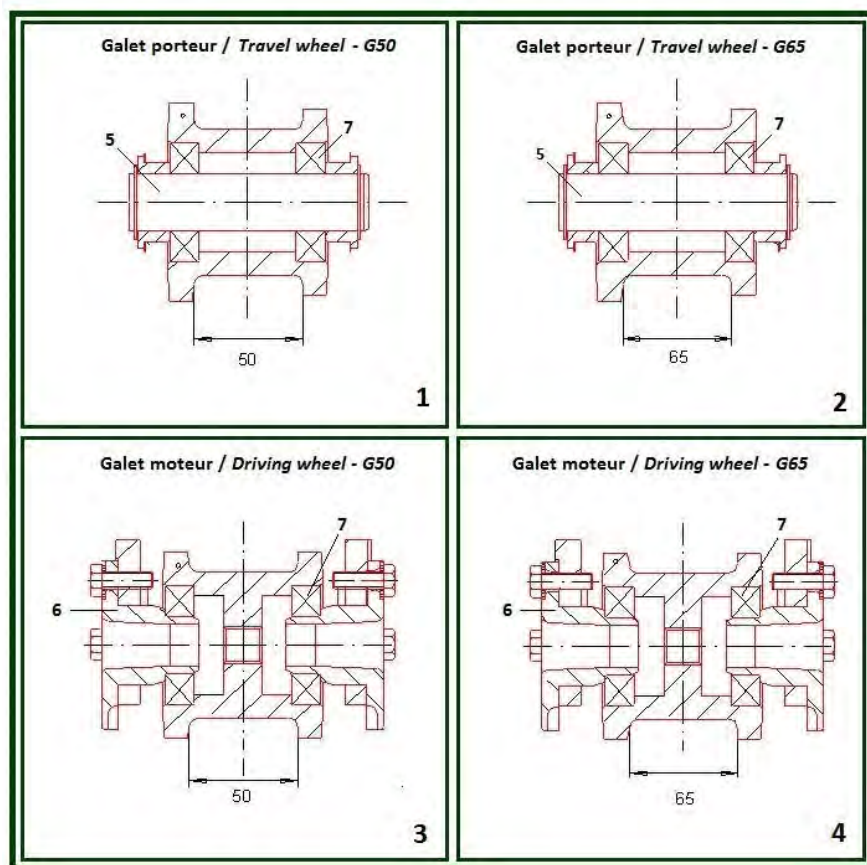


## 23.1) Wheel set VP09



item	reference	description	observation	Quantity
1	<a href="#">15503003</a>	Travel wheel set - $\varnothing$ 90 - G50	VS202/VP9 - VS302..F - VS402 A partir / Since 1999	1
2	<a href="#">15503006</a>	Travel wheel set $\varnothing$ 90 - G65	VS202/VP9 - VS302..F - VS402 A partir / Since 1999	1
3	<a href="#">15503001</a>	Driving wheel set - $\varnothing$ 90 -G50	VS302..F - VS402 A partir / Since 1999	1
4	<a href="#">15503005</a>	Driving wheel set - $\varnothing$ 90 - G65	VS302..F - VS402 A partir / Since 1999	1
5	<a href="#">15503004</a>	Complete shaft travel wheel	VP9	1
6	<a href="#">15503002</a>	Bearling-flange set	VP9-VS302	1
7	<a href="#">7412072A</a>	Complete bearing	VP9-VS302	2

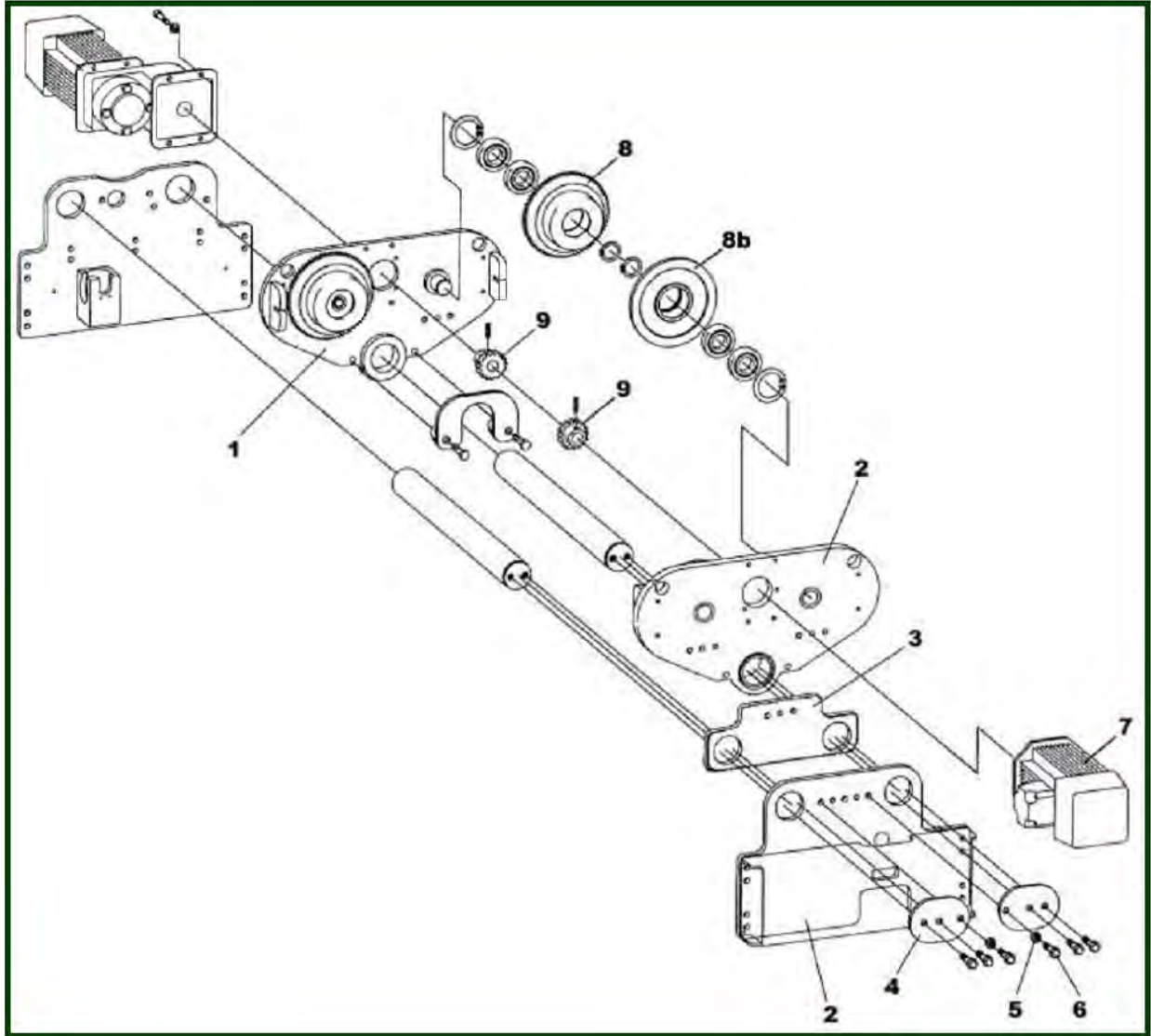
## 23.2) Wheel set VP11



item	reference	description	observation	Quantity
1	<u>15803003</u>	Travel wheel set - ø 110 - G50	VS402 / VP11 - VS204	1
2	<u>15803006</u>	Travel wheel set - ø 110 - G65	VS402 / VP11 - VS204	1
3	<u>15803001</u>	Driving wheel set - ø 110 - G50	VP11 - VS304.F - VS402	1
4	<u>15803005</u>	Driving wheel set - ø 110 - G65	VP11 - VS304.F - VS402	1
5	<u>15803004</u>	Shaft travel wheel	VP11 - VS304 - VS402	1
6	<u>15803002</u>	Bearling-flangeset	VP11 - VS304 - VS402	1
7	<u>7413082Y</u>	Bearing	VP11 - VS304	2

## 24) Compact trolley - HPN

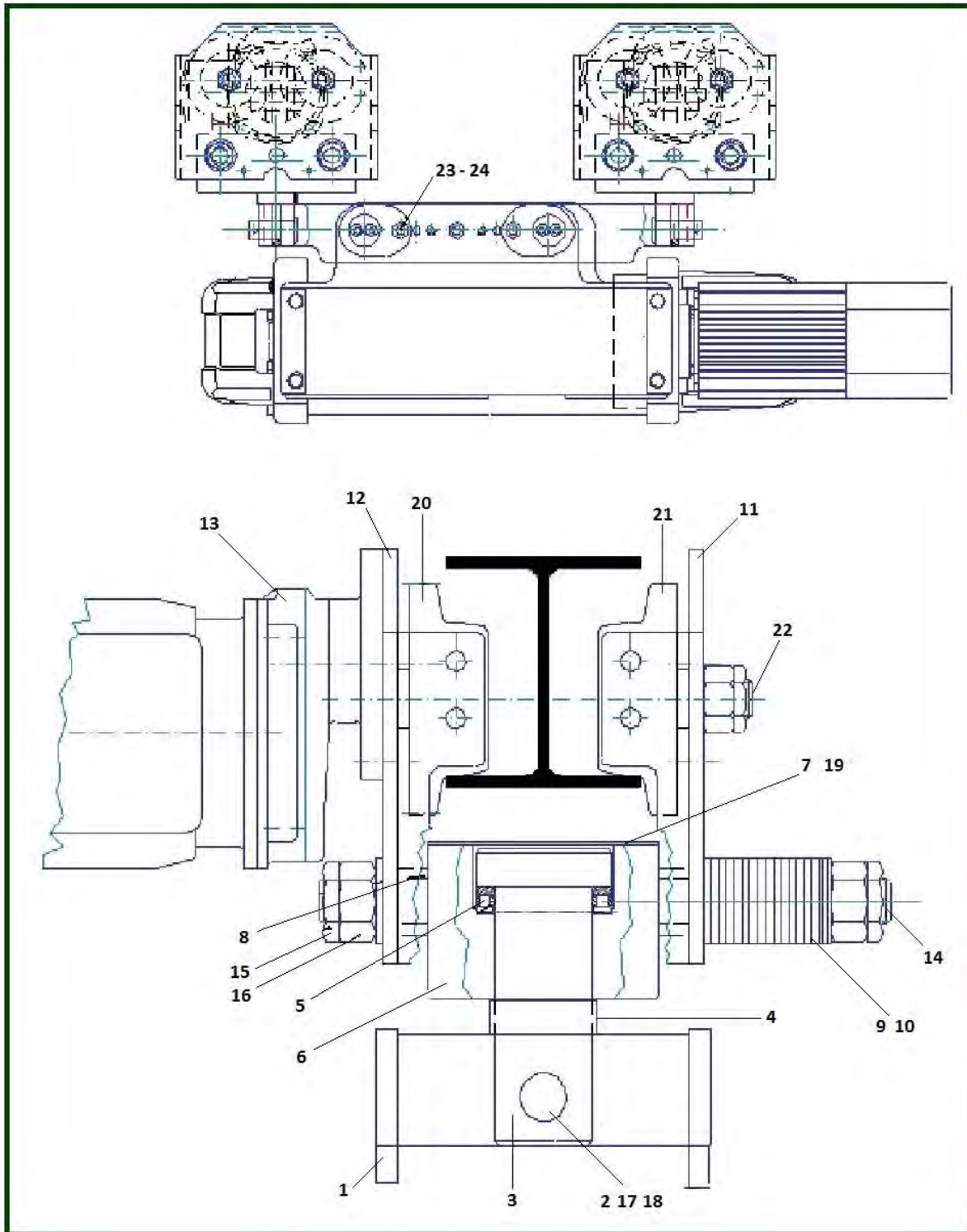
Tambour A et C seulement - A and C drum only



item	reference	description	observation	Quantity
1 & 2	<a href="#">1134531</a>	Side plate		1
3	<a href="#">V2RAB06A</a>	Non pivoting plate		2
4 & 5 & 6	<a href="#">NC VF</a>	Driving set		2
7	<a href="#">Voir chap.21</a>	Travelling motor gear	GS...RPC+MF07 < 20m/min - GS...RPC+MF07 > 20m/min	1
8	<a href="#">1133508</a>	Geared travel wheel	Chariot 1 GMR (2) - Chariot 2 GMR (4) - VB13 - Ø 125mm	4
8b	<a href="#">1133507</a>	Ungeared wheel	Chariot 1 GMR (2) - Chariot 2 GMR (4) - VB13 - Ø 125mm	2
9	<a href="#">1113532</a>	Drive wheel - 19 th		1

## 25) Swivelling trolley - HPN

Hauteur Perdue Normale / Normal Headroom Trolley - VS201 1...A & C - VS202 1...A & C - VS204 2...A & C

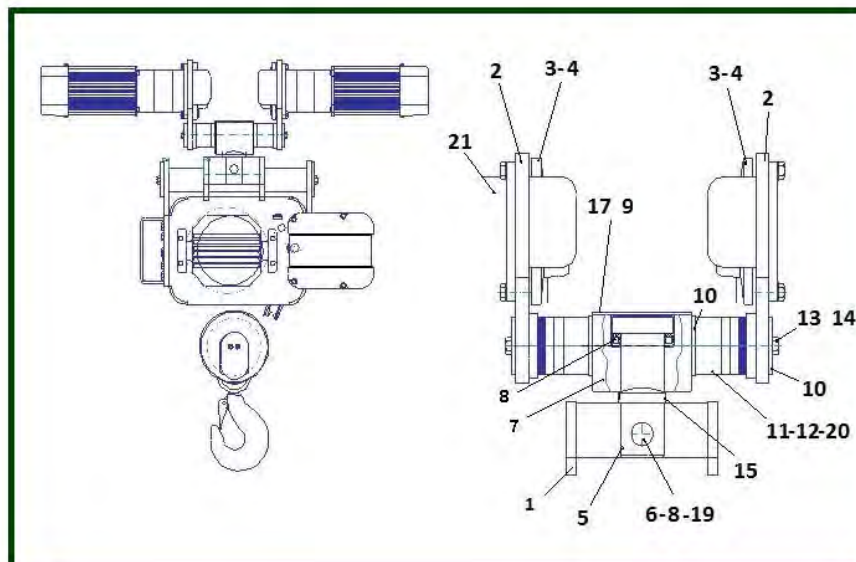


item	reference	description	observation	Quantity
1	<u>V2RAB02A</u>	Beam		1
1	<u>V30165A</u>	Beam	VS204 2...OC	1
2	<u>1143515</u>	Pivot shaft		2
3	<u>1139002</u>	Pivoting shaft		2

4	<u>V1RAB21A</u>	Stabilizing washer		2
5	<u>51110</u>	Thrust ball bearing		2
6	<u>V1RAB22A</u>	Swivel pin square		2
7	<u>1139005</u>	Cover		2
8	<u>558968</u>	Spacer tube	C2 - Court/Short & Long	8
9	<u>832112</u>	Washers M24 - 4mm	C2	124
10 & 18	<u>832113</u>	Washers M24 - 2mm	C2	28
11	<u>558910</u>	Side plate (free) modul		2
12	<u>558911</u>	Side plate (drive) motor	C2	2
13	<u>558986</u>	Gearmotor LS71 11/3 m/mn - 0,12/0,03KW	C1-C2-C3 Plus fourni / Not supplied anymore	0
13	<u>558985</u>	Gearmotor LS71 20/5 m/mn - 0,25/0,06KW	C2-C3 Plus fourni / Not supplied anymore	0
14	<u>558963</u>	Tie rod - 260 mm	C2	4
14	<u>558964</u>	Tie rod - 325 mm	C2	4
14	<u>558965</u>	Tie rod - 390 mm	C2	4
15	<u>831576</u>	PAL nut M24	C2	8
16	<u>831540</u>	Nut H M24	CE - XB	8
17	<u>8150095</u>	Split pin		4
19	<u>7211151H</u>	Screw		8
20	<u>558919</u>	Driving wheel without shaft	C2 - Ø 80x120 mm	4
21	<u>558918</u>	Ungeared wheel	C2 - Ø 80x120 mm	4
22	<u>558915</u>	Wheel shaft	C2 - Jusqu'en 1999 / until 1999	8
23	<u>1144505</u>	Bar	Lg 250	3
24	<u>831594</u>	NYLSTOP nut - M12 - DIN985	PRC1	12

## 26) Swivelling trolley - HPN

Hauteur Perdue Normale / Normal Headroom Trolley - VS204 1... A et C

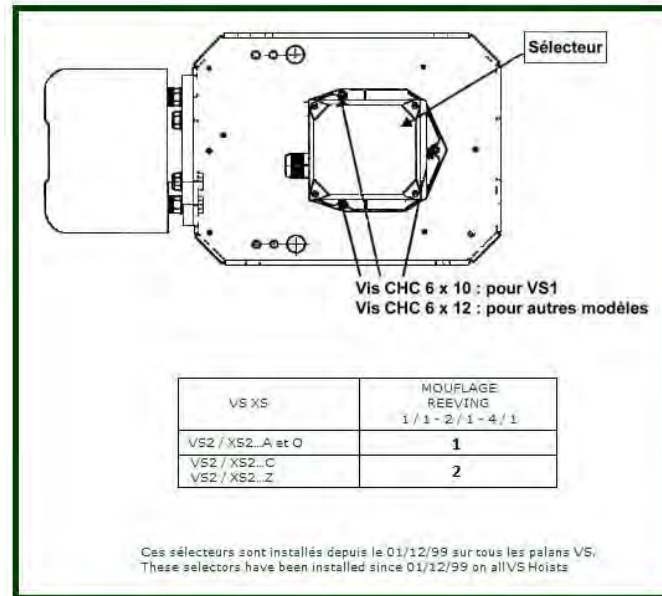


item	reference	description	observation	Quantity
1	<u>V2RAB02A</u>	Beam		1
2	<u>1114531</u>	Motor side plate		2
3	<u>1113508</u>	Driving wheel set - Ø 100	VB10D:100mm - VB10D - VS2..R..O (VSX) 2 roulements+1 circlip+1 galet moteur 2 Bearings+1 circlip+1 geared wheel	4
4	<u>1113507</u>	Idle wheel set - Ø 100	VB10D:100mm - VB10D - VS2..R..O (VSX) 2 roulements+1 circlip+1 galet porteur 2 Bearings+1 circlip+1 geared wheel	4
5	<u>1139002</u>	Pivoting shaft		2
6	<u>1143515</u>	Pivot shaft		2
7	<u>1139003</u>	Pivot tie rod		2
8	<u>51110</u>	Thrust ball bearing		2
9	<u>1139005</u>	Cover		2
10	<u>1139006</u>	End washer		4
11	<u>1139108</u>	Sleeve - th. 30		4
12	<u>1139007</u>	Adjustement sleeve		40
13	<u>830205</u>	Securing screw for brake bar HM 8 x 25		8
14	<u>7232081H</u>	Washer		8
15	<u>V1RAB17A</u>	Stabilizing washer		2
16	<u>1139008</u>	Sleeve - th. 10		8
17	<u>7211151H</u>	Screw		8
18	<u>8150095</u>	Split pin		4
19	<u>832113</u>	Washers M24 - 2mm	C2	4
20	<u>V1RAB07A</u>	Washer	Ep. / Th. 4	4
21	<u>Voir chap.21</u>	Travelling motorgear	GS...RPC+MF07 < 20m/min - GS...RPC+MF07 > 20m/min	2

## 27) Electrical parts

item	reference	description	observation	Quantity
1	<a href="#">7532126U</a>	Main contactor - 400V/48V - LC1D123E7	Moteur / Motor P1 - O-K1	1
2	<a href="#">1113023</a>	Reversing contactor	400V-48V Levage+direction/Hoisting cross travelling LC2ECO9E (7531023V)	1
2	<a href="#">7531122C</a>	Reversing contactor - 440V/48V - LC2D12E7	Moteur / Motor P1-P2-P3 - AK1-AK2	1
3	<a href="#">1113021</a>	Selector contactor	48V	1
3	<a href="#">1113027</a>	Slow and high speed contactor 400V/48V - LC1D128E	Moteur / Motor P1-P2-P3 -7532122Q	1
4	<a href="#">1113045</a>	Circuit braker	63VA 400V/48V	1
4	<a href="#">1113002</a>	Circuit braker		1
5	<a href="#">1113048</a>	Transformer	63 VA	1
6	<a href="#">7573242K</a>	Fuse support	BC31	3
7	<a href="#">7541412N</a>	Limit switch contact - Top		1
7	<a href="#">1133050</a>	Ultimate limit switch-auto reset	Upper limit switch	1
7	<a href="#">1133051</a>	Ultimate limit switch-manuel reset		1
8	<a href="#">7541312D</a>	Travel limit switch	C1-C2-C3	1
8	<a href="#">1123046</a>	Travel limit switch - 2 steps		1
9	<a href="#">7575304B</a>	Fuse 4A		1
9	<a href="#">7575306D</a>	Fuse 6AM		1
10	<a href="#">1115062</a>	Brake rectifier REC12 For main voltage 230V to 690V	Moteur/Motor P1 à/to P5	1
11	<a href="#">1113043</a>	Motor protector - 48V	MSL 48C	1
11	<a href="#">1113071</a>	Motor protector - 115V	MSL 115C	1
11	<a href="#">1113072</a>	Motor protector - 230V	MSL 230C	1
12	<a href="#">1113008</a>	Auxiliary block		2
12	<a href="#">7536311T</a>	Auxiliary contact LA1D11	N1 à N3	1
13	<a href="#">1113118</a>	Hoisting unit complete		1
14	<a href="#">1113094</a>	Counter support		1
15	<a href="#">1113125</a>	Hour counter - 48V-50Hz		1
15	<a href="#">1123044</a>	Hour counter - 110V-50Hz		1
15	<a href="#">7691116J</a>	Hour counter - 220V-50Hz		1
16	<a href="#">1113140</a>	On & Off unit		1
17	<a href="#">1103001</a>	Monitor+connectors	CU1	1
18	<a href="#">1113101</a>	Monitor+transformer	CU1	1
19	<a href="#">1113121</a>	Complete lifting unit		1

## 28) Mounting and choosing the came selector



item	reference	description	observation	Quantity
1	<u>GTES67DZM</u>	Rotating limit switch - 4C	XS2 - VS2...C et Z 1/1-2/1-4/1 Depuis/Since 01/12/99	1
2	<u>GTES110DZM</u>	Rotating limit switch - 4C	VS2...C et Z 1/1 - 2/1 - 4/1 - Depuis/Since 01/12/99	1