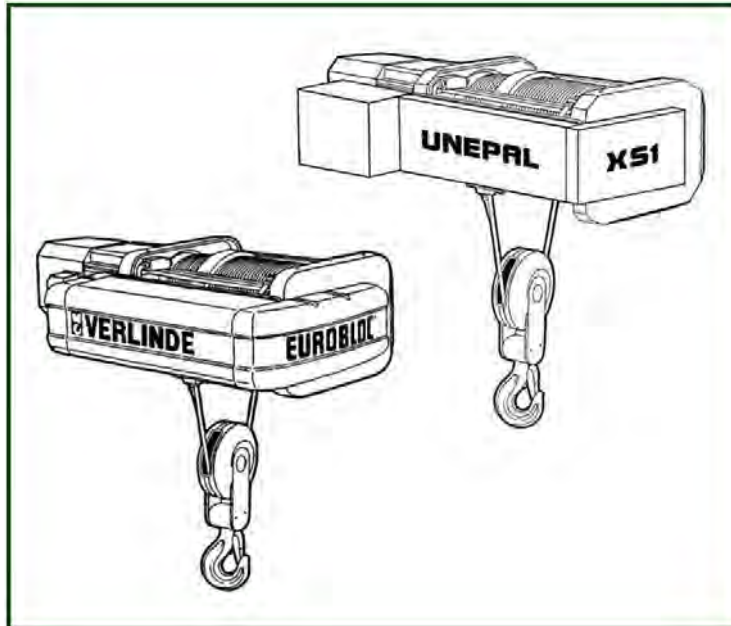


Spare Parts VS1-XS1

To avoid errors, when ordering please specify:

- Complete type of hoist
- Date of manufacture and serial number
- Spare part code
- Spare part designation
- Additional information



0) VS HOIST CODIFICATION

1) COVERS

- 1.1) Covers for VS1
- 1.2) Covers for XS1

2) FRAME

3) ROPE DRUM

- 3.1) Precut rope

4) GEAR

5) ROPE ANCHORAGE SUSPENSION - 2 FALLS

6) ROPE SHEAVE UNIT - 4 ROPED

7) OVERLOAD PROTECTION FM-NHT-LHT - TO MARCH 1999

8) OVERLOAD PROTECTION FM-NHT-LHT - SINCE APRIL 1999

- 8.1) Electr. + mechanical + HALL sensor

9) SPRING TABLE - VS1

10) LIFTING HOOK - 1 ROPED

11) LIFTING HOOK - 2 ROPED

12) LIFTING HOOK - 4 ROPED

13) LIFTING HOOK - 4/2 ROPED

14) LOW HEADROOM TROLLEY - LHT

15) NORMAL HEADROOM TROLLEY - NHT

16) MOTORGARBOX FOR MONORAIL HOIST NHT AND LHT

17) SWIVELLING TROLLEY

18) ELECTRICAL PARTS

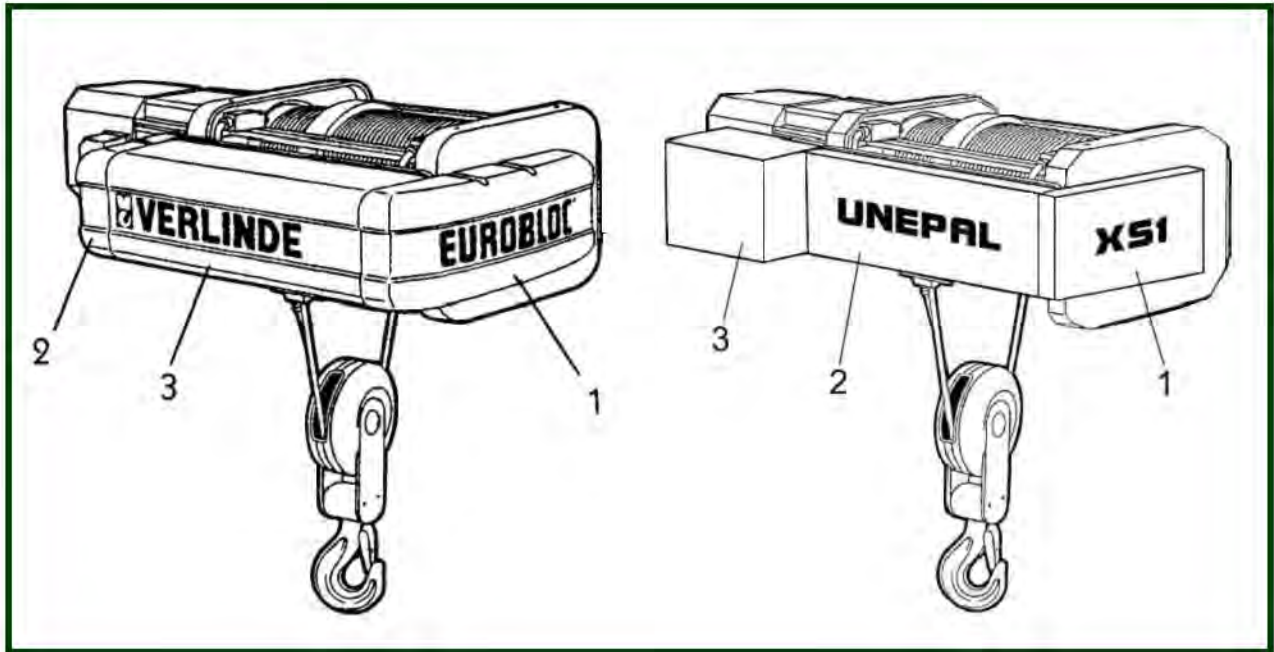
19) MOUNTING AND CHOOSING THE CAME SELECTOR

0) VS hoist codification

ABREVIATIONS		ABREVIATIONS	
(Palan)Fixe	F	Foot Mounted hoist	FM
Chariot à Hauteur Perdue Normale	HPN	Normal Headroom Trolley	NHT
Chariot à Hauteur Perdue Réduite	HPR	Low Headroom Trolley	LHT

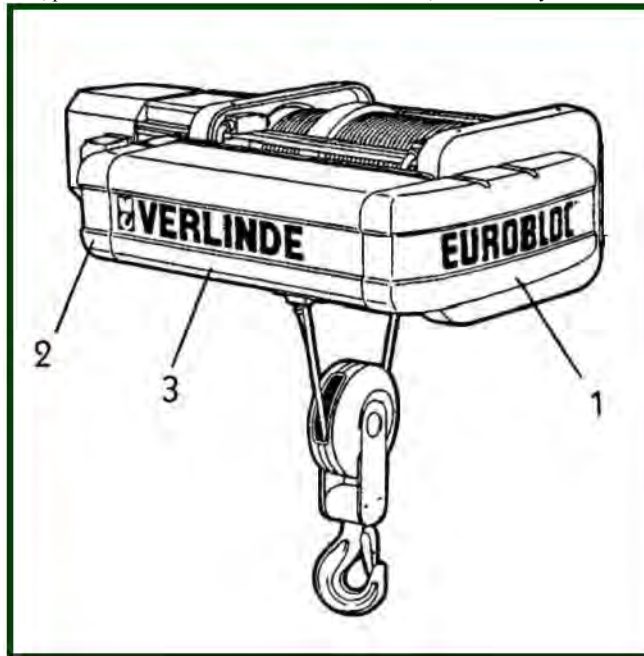
CODIFICATION DES PALANS VS / VS HOIST CODIFICATION												
PALAN VS												
TAILLE DU CHASSIS												
VS	1											
		1, 2, 3, 4, 5, 6										
	04 1 1	MOUFLAGE										
		Nombre de brins / Sorties de câbles au tambour / Nombre de « crochets »										
	5	GROUPE ISO		4 = 1Am	5 = 2m	6 = 3m	7 = 4m	X = Spécial				
		R 20										
		CHARIOT(*) / LARGEUR DE FER (**)										
		(*) R = HPR N = HPN P = Birail parallèle C = Birail perpendiculaire F = Fixe posé X = Spécial				(**) Monorail 10 = 80...100 15 = 100...150 20 = 151...250 25 = 201...250 30 = 251...300 35 = 301...350 40 = 351...400 45 = 401...450				Birail 09 = 900 14 = 1400 17 = 1700 20 = 2000 24 = 2400 27 = 2700 31 = 3100		
		LONGUEUR DE CHASSIS / HAUTEUR DE LEVAGE										
		A, B, C, D, E, F, G, H, J, K, L, M, N										
VS	1	04 1 1	5	R 20	A	N	N1	23 5	SE 5	+	25	N
REDUCTEUR / VITESSE												
N												
L = Lent N = Normal R = Rapide X = Spécial												
MOTEUR												
N1												
N (1, 2, 3, 4, 5) = 2 vitesses H (2, 3, 4) = Service lourd F (3, 4, 5, 6) = Variation de vitesse X = Spécial (1 = 1,9 kW, 2 = 3,5 kW, 3 = 7,5 kW, 4 = 15 kW, 5 = 30 kW)												
TENSION D'ALIMENTATION												
23 5 = 230V / 50 Hz 40 5 = 400V / 50 Hz 41 5 = 415V / 50 Hz												
EQUIPEMENT ELECTRIQUE												
SE 5												
S = Palan solo K = Palan pour kit C = Classic E = Europe H = Hi-tronic 4 = IP 54 5 = IP 55 X = Spécial												
LIMITEUR DE CHARGE												
+												
L = Limiteur seul M = Monitor + = Limiteur + monitor												
DIRECTION												
25												
16 = 16/4 20 = 20/5 25 = 25/6,3 NO = Non CH = Chaîne XX = Spécial												
CONCEPTION SPECIALE												
N												
N = Non M = Mécanique E = Electrique D = Divers												

1) Covers



1.1) Covers for VS1

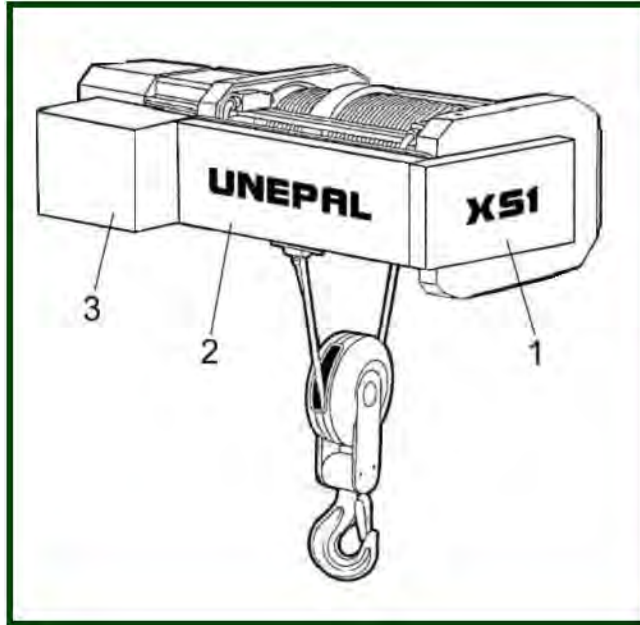
Pcs à la cde, préciser l'année de fabrication / Parts on order, indicate the year of manufacturing



item	reference	description	observation	Quantity
1	<u>V1FAB03D</u>	Cover long	A partir de décembre 1999 - From the december 1999	1
1	<u>1115021</u>	Cover long	Jusqu'à fin novembre 1999 - Up to november 1999	1
2	<u>1115023</u>	Cover - Motor side		1
3	<u>N.C.</u>	End carriage	VS402 / VP11 - VS404 / VP14 - VS502 VS504 < 16T	1

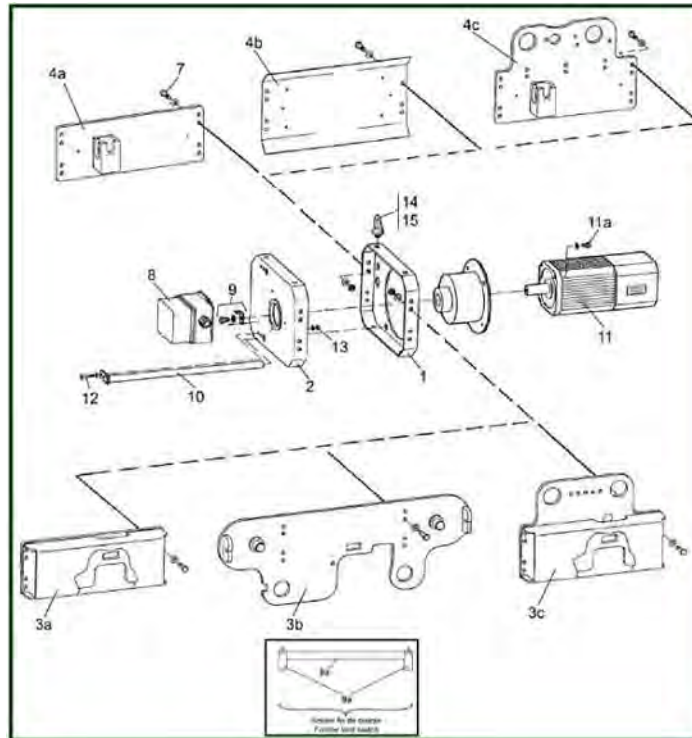
1.2) Covers for XS1

(*) Pcs à la cde, préciser l'année de fabrication / Parts on order, indicate the year of manufacturing



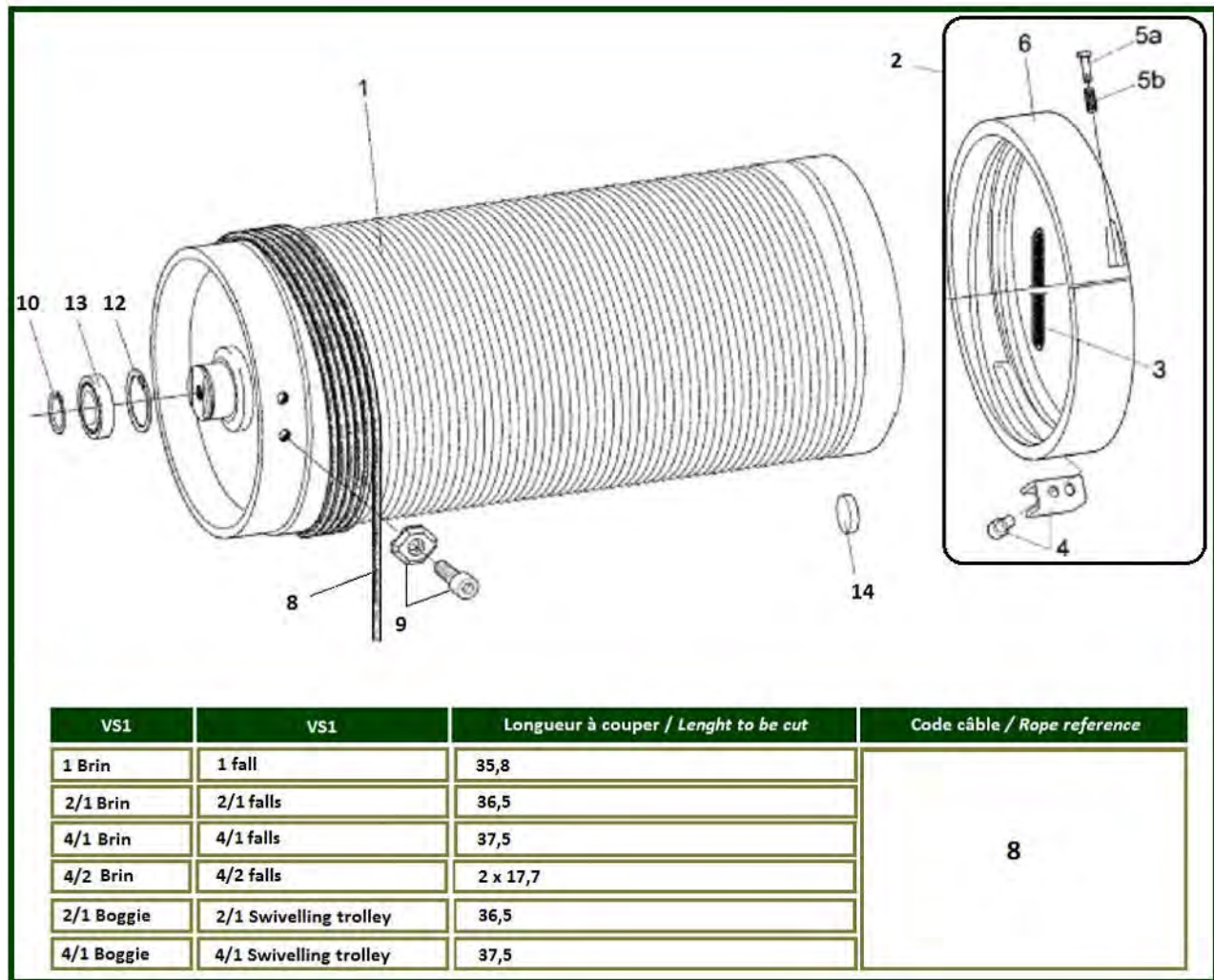
item	reference	description	observation	Quantity
1	<u>S1FAB01B</u>	Opposit motor side cover	(*)	1
2	<u>S1FA001B</u>	Side cover	(*)	1
3	<u>N.C.</u>	End carriage	VS402 / VP11 - VS404 / VP14 - VS502 VS504 < 16T	1

2) Frame



item	reference	description	observation	Quantity
1	1115040	Motor Side and plane		1
2	1115050	opposite motor side end plate		1
3a	1115014	Side plate for HM hoist	VS104...F..A	1
3b	1113511	Side plate for LHT hoist	VS102 R A - VS104 R A	1
3c	1114514	Side plate for NHT hoist	VS102 N A - VS104 N A	1
4a	1115017	Side plate for FM hoist	VS1....F..A	1
4b	1115011	Side plate for FM OR LHT hoist	VS1 R A VS102 F	1
4c	1114515	Side plate for NHT hoist	VS1....N..A	1
7	8110042	Fixing screw set		8
8	GTES67DZM	Rotating limit switch - 4C	XS2 - VS2...C et Z 1/1-2/1-4/1 Depuis/Since 01/12/99	1
8a	1111022	Limit switch shaft	VS3.....A - Lg 530 mm - Jusqu'au / Until 30/11/99	1
9	1114020	Kixing set + cal selectir bracket	Depuis / Since 01/12/99	1
9a	1113113	Limit switch	Jusqu'à / To 30/11/99	1
10	1111028	Rope guide support shaft	VS1...A - VS3...A	1
11	1117004	Complete motor 1,9/0,3 kw 380V/50 Hz or 440V/60Hz	N1	1
11	1117001	Complete motor 1,9/0,3 kw 400V/50 Hz or 460V/60Hz	N1	1
11	1117002	Complete motor 1.9 / 0.3 kw 230V/50 Hz	Voir Pièces détachées moteur / See spare parts motor	1
11	1117003	Complete motor 1.9 / 0.3 kw 415V - 480V/60 Hz	Voir Pièces détachées moteur / See spare parts motor	1
11a	830205	Securing screw for brake bar HM 8 x 25		1
12	830905	CHC Screw 8X20		2
13	831504	Brake washer AZ M8	VS4....B...D - VS5.....D/E	2
14	1110006	Eye boit	Fixe (2) - HPN/NHT (4) - HPR/LHT (1)	1
15	831594	NYLSTOP nut - M12 - DIN985	PRC1	1
-	7215453J	Screw CHC 8x16	Vis pour rail / Screw for shaft	2

3) Rope drum



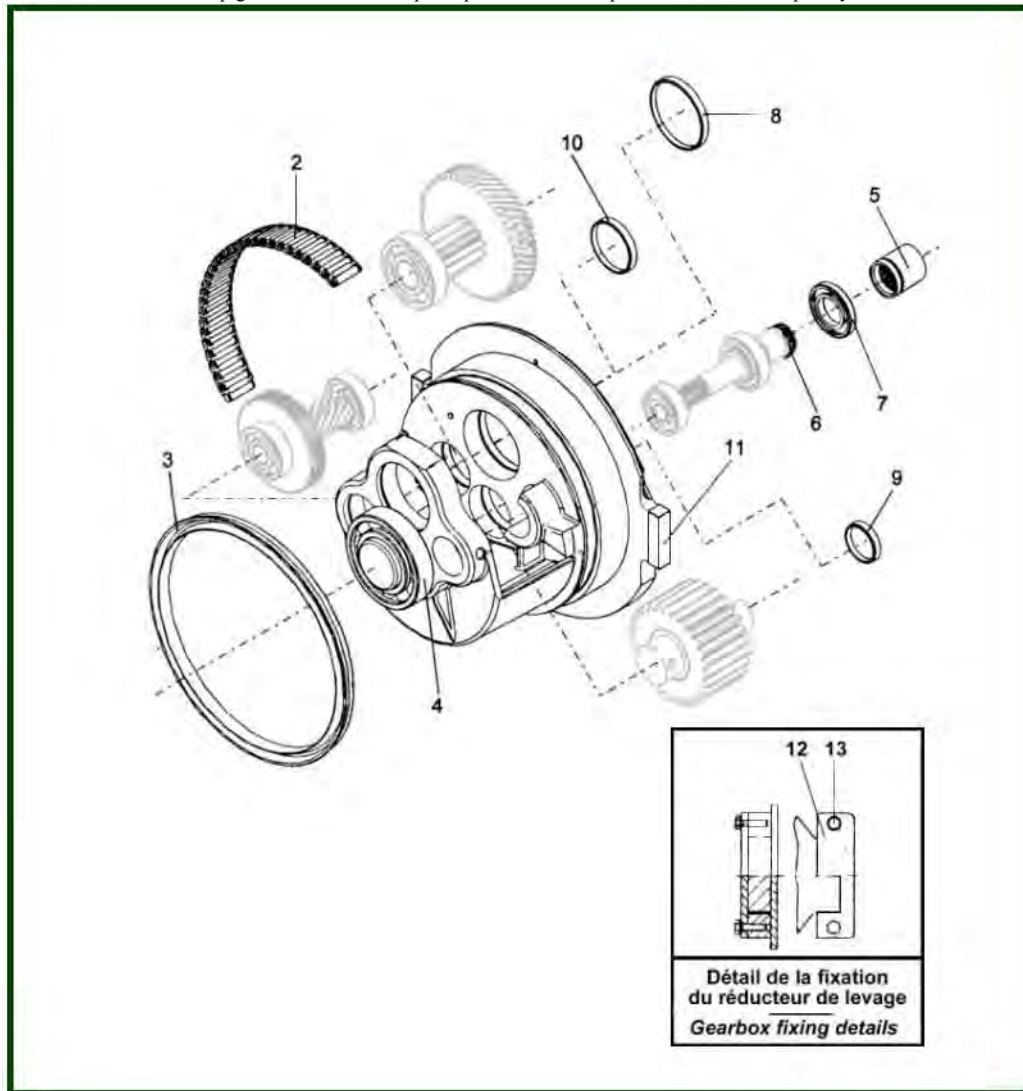
item	reference	description	observation	Quantity
1	1110500	Rope drum lg : 553	VS1.....A	1
1	V1FM012A	True vertical lift drum - pitch 6,3	2F	1
2	1110540	Complete rope guide	3+4+5a+5b+6	1
3	1111007	Spring	VS1	1
4	1111014	Shape guide		1
5a	554347	Screw	VS1-VS2	2
5b	12332001	Pressure spring	VS1-VS2	1
6	1110541	Rope guide	VS1	1
8	1111042	Left rope - Ø 6	VS1...A - VS2 Z	1
9	1111017	Rope clamp	VS1	3
10	100051	External circlip - Ø 30	VS2....O (VSX)	1
12	300079	Circlip - Ø 62	C3-C5- VS2... O (VSX)	1
13	8110073	Bearing	VS1	1
14	1111540	Magnet set	VS1-VS2-VS3	2

3.1) Precut rope

item	reference	description	observation	Quantity
	<u>53022867</u>	Wire rope - Ø 6 - Left	Lg 36m	1
	<u>53022644</u>	Wire rope - Ø 6 - Left	Lg 37m	1
	<u>53022836</u>	Wire rope - Ø 6 - Left	Lg 38m	1

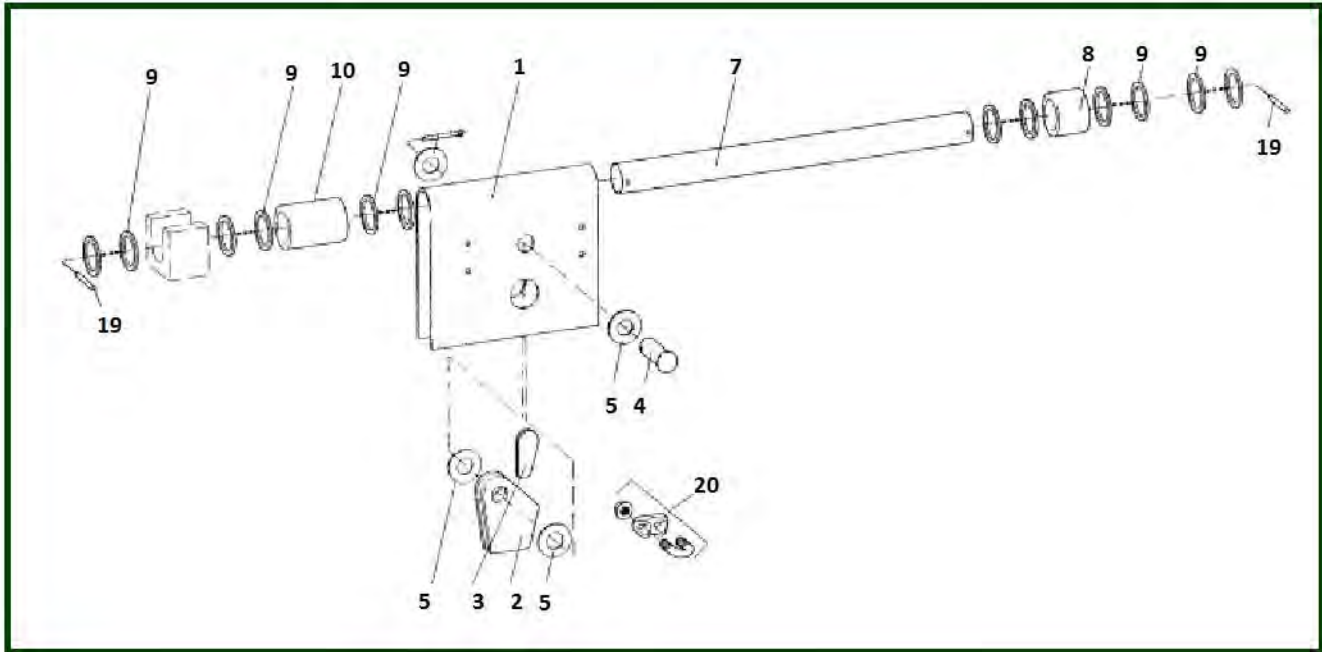
4) Gear

La pignonnerie ne se vend pas séparément - The pinions are not sold separately



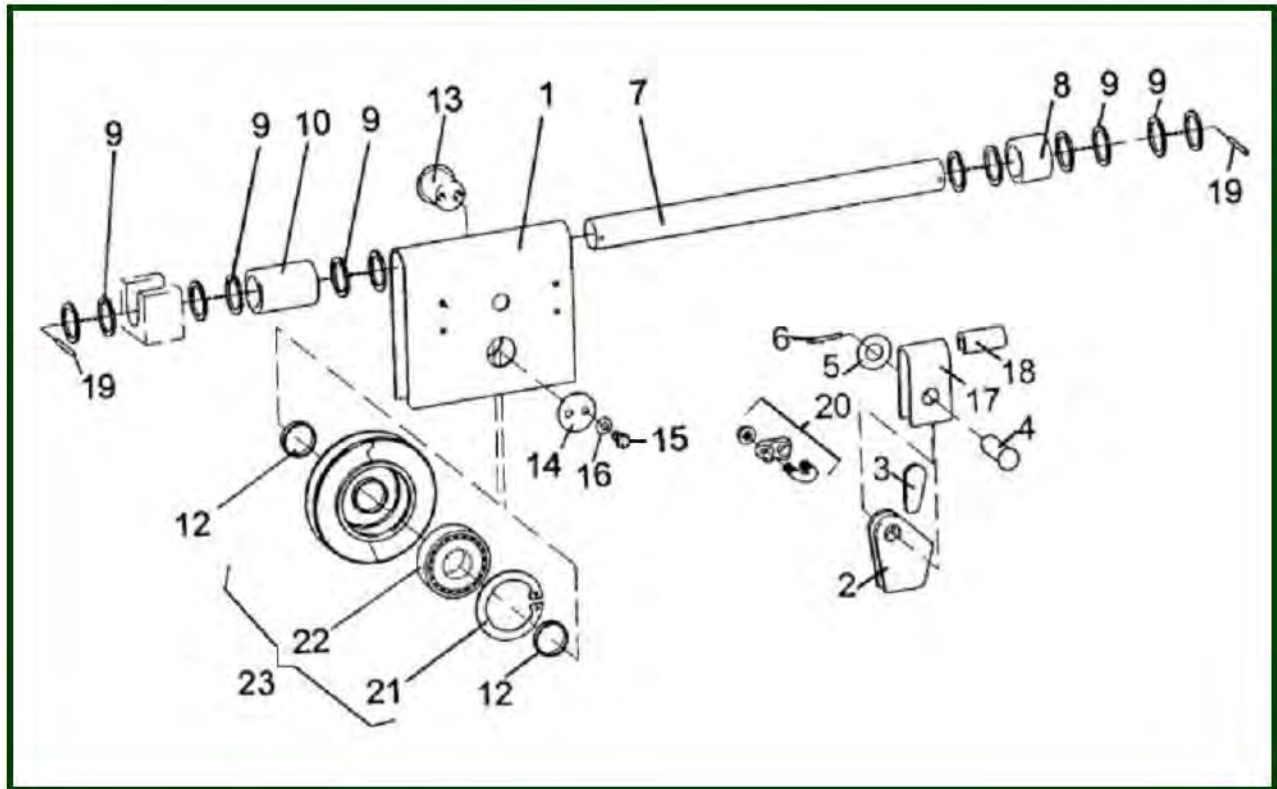
item	reference	description	observation	Quantity
2	P1G0002	Roller bearing		1
3	P1G0003	Sealing		1
4	8110073	Bearing	VS1	1
5	P1G0005	Coupling	VS1 N1	1
6	P1G0006	O-ring	VS3 N2	2
7	7460505V	Seal		1
8	P1G0008	Cap		1
9	P1G0009	Cap		1
10	P1G0010	Cap		1
11	1111038	Set of 2 plastic caps	Set de cales + plaques / Set of wedge + stick	1
12	1111036	Gear fixing plates		1
13	830201	Exterior circlip	C3	1
-	1117502	Complete gearbox	2/1 5/0,8 m/min - 4/1 10/1,6 m/min	1

5) Rope anchorage suspension - 2 falls



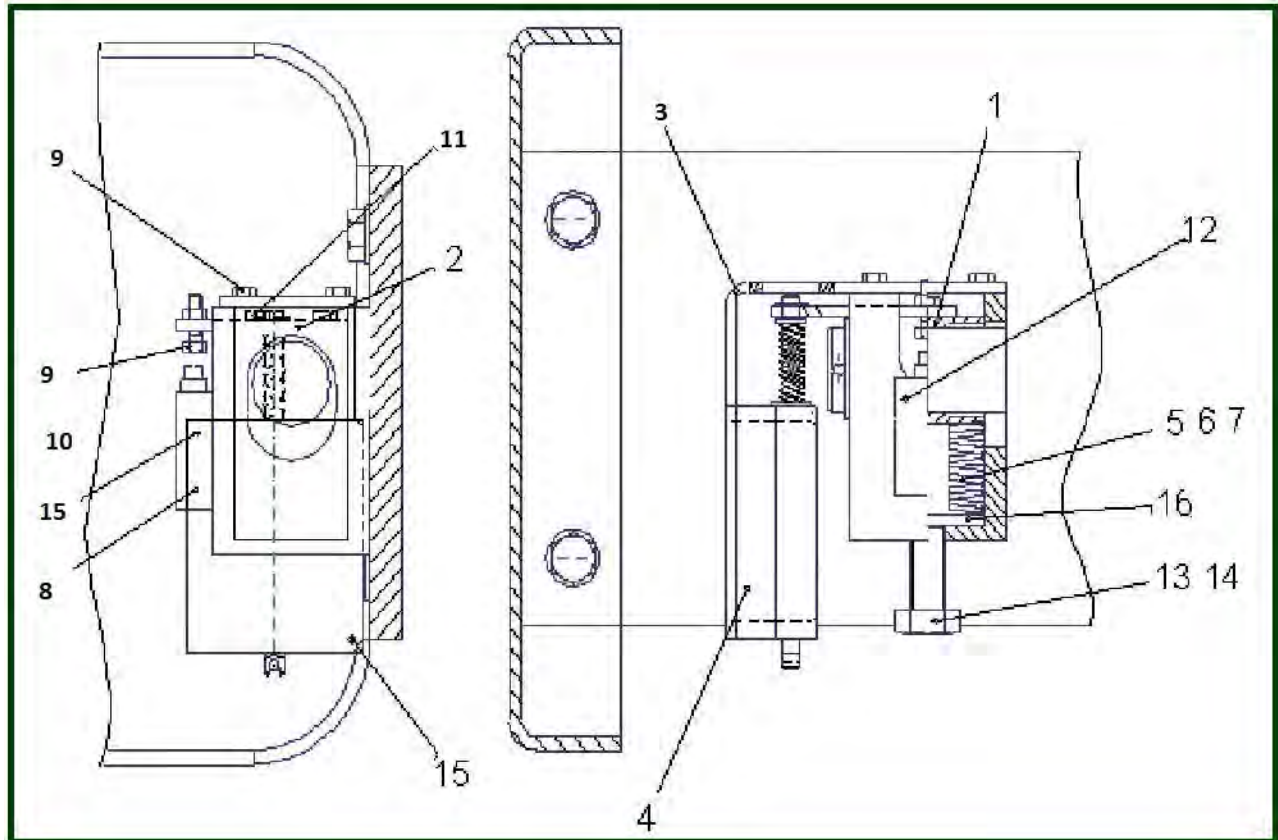
item	reference	description	observation	Quantity
1	1112510	Support		1
2	1112527	Key housing		1
3	1112530	Key		1
4	1112515	Anchor point shaft		1
5	7231202C	Washer		3
6 - 19	7271404A	Split pin		1
7	1112518	Support shaft		1
8	1112521	Sleeve	VS F/N/R	1
9	8110003	Washer		18
10	1112524	Sleeve	VS F/N/R	1
20	7333060T	Rope clamp - Ø 6,5		1

6) Rope sheave unit - 4 roped



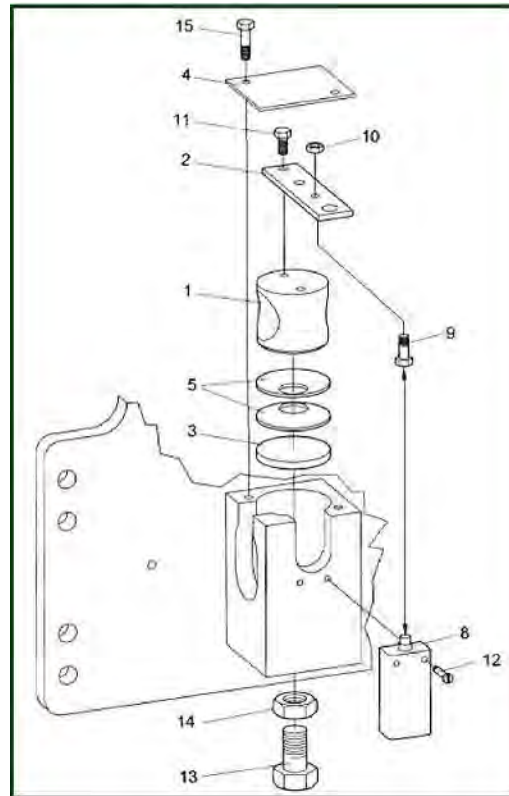
item	reference	description	observation	Quantity
1	1112510	Support		1
2	1112527	Key housing		1
3	1112530	Key		1
4	1112515	Anchor point shaft		1
5	7231202C	Washer		3
6-19	7271404A	Split pin		2
7	1112518	Support shaft		1
8	1112521	Sleeve	VS F/N/R	1
9	8110003	Washer		18
10	1112524	Sleeve	VS F/N/R	1
12	1112503	Sleeve		2
13	1112506	Pulley Shaft		1
14	1112509	Washer		1
15	830201	Exterior circlip	C3	2
16	8110011	Washer		1
17	1112534	Rope and support		1
18	1112532	Sleeve		1
20	7333060T	Rope clamp - Ø 6,5		1
21	7261080D	Internal circlip - Ø 80		1
22	8112073	Bearing		1
23	1112520	Complete pulley - Ø 125	1AM 20+21+11VS2 A, C et O	1

7) Overload protection FM-NHT-LHT - To march 1999



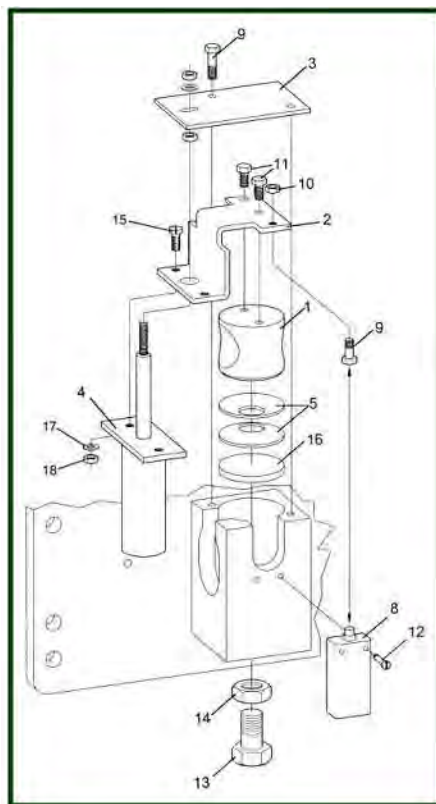
item	reference	description	observation	Quantity
1	1111523	Sleeve		1
2	1111508	Trigger plate		1
2b	1111522	Trigger plate	HPR/LHT	1
3	1113524	Sensor support	HPR/LHT	1
4	1113547	HALL sensor	HPR/LHT VS306/VS404 2/6 - Jusqu'à mars 99 / To march 99	1
5	180051	Spring limiteur	Type C	1
5a	180050	Spring limiteur	Type D - HPR/LHT	1
6	180049	Spring limiteur	Type E - HPR/LHT	1
6a	180048	Spring limiteur	Type F	1
7	1115020	Cover	HPR	1
8	8111593	Limit switch		1
9	7211356F	Screw		5
10	831501	Screw M6	Standard	1
11	8110033	Screw		2
12	830930	CHC screw M4x20		2
13	830622	Screw CHC M16x40	Moteur N5	1
14	831574	PAL nut - M16	C1	1
15	550980	Screw		2
16	1111521	Rondelle fond limiteur		1
17	8110502	Truac ring		1

8) Overload protection FM-NHT-LHT - Since april 1999



item	reference	description	observation	Quantity
1	1111523	Sleeve		1
2	1111508	Trigger plate		1
3	1111503	Sensor support		1
4	LP2OUFR10	HALL sensor		1
5	180051	Spring limiteur	Type C	1
5	180050	Spring limiteur	Type D - HPR/LHT	1
5	180049	Spring limiteur	Type E - HPR/LHT	1
5	180048	Spring limiteur	Type F	1
8	8111593	Limit switch		1
9	7211356F	Screw		5
9b	830205	Securing screw for brake bar HM 8 x 25		1
10	831501	Screw M6	Standard	1
11	8110033	Screw		2
11b	7232060K	Washer M6	Standard	1
12	830930	CHC screw M4x20		1
13	830622	Screw CHC M16x40	Moteur N5	1
14	831574	PAL nut - M16	C1	1
15	8110030	Screw CHC 4x16		4
16	1111521	Rondelle fond limiteur		1
17	7231044F	Washer M4		1
18	7221040C	Nut M4		1

8.1) Electr. + mechanical + HALL sensor



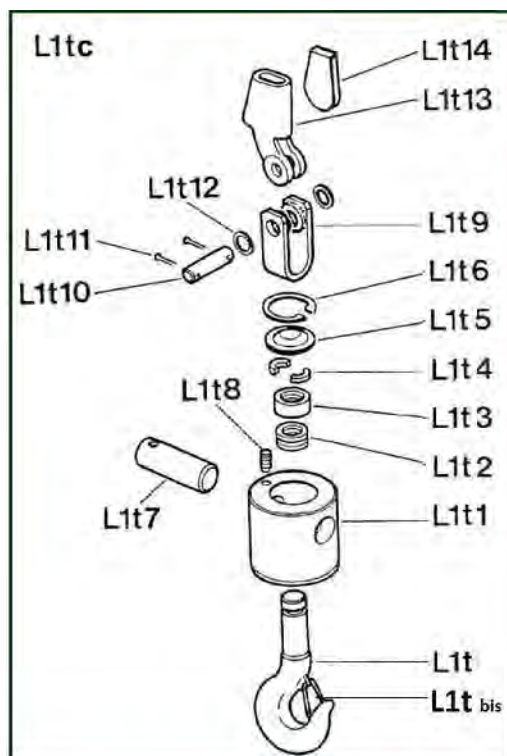
item	reference	description	observation	Quantity
1	1111523	Sleeve		1
2	1111508	Trigger plate		1
3	1111503	Sensor support		1
4	LP2OUFR10	HALL sensor		1
5	180051	Spring limiteur	Type C	1
5	180050	Spring limiteur	Type D - HPR/LHT	1
5	180049	Spring limiteur	Type E - HPR/LHT	1
5	180048	Spring limiteur	Type F	1
8	8111593	Limit switch		1
9	7211356F	Screw		5
9b	830205	Securing screw for brake bar HM 8 x 25		1
10	831501	Screw M6	Standard	1
11	8110033	Screw		2
11b	7232060K	Washer M6	Standard	1
12	830930	CHC screw M4x20		1
13	830622	Screw CHC M16x40	Moteur N5	1
14	831574	PAL nut - M16	C1	1
15	8110030	Screw CHC 4x16		4
16	1111521	Rondelle fond limiteur		1
17	7231044F	Washer M4		1
18	7221040C	Nut M4		1

9) Spring table - VS1

Type de palan	Charge kg	Type de ressort	Disposition	Nb.	
Type of hoist	Load kg	Type of spring	Position	Pc.	
VS1 FIXE et HPN					
VS 102	630 (3m)	E	1 x 1 opposées	12	
	800 (2m)				
	1000 (1Am)				
VS 104	1250 (3m)	D		1 x 1 opposées	10
	1600 (2m)	C			
	2000 (1Am)				
VS1 HPR					
VS 102	630 (3m)	E	1 x 1 opposées		12
	800 (2m)				
	1000 (1Am)			F	
VS 104	1250 (3m)	D		1 x 1 opposées	10

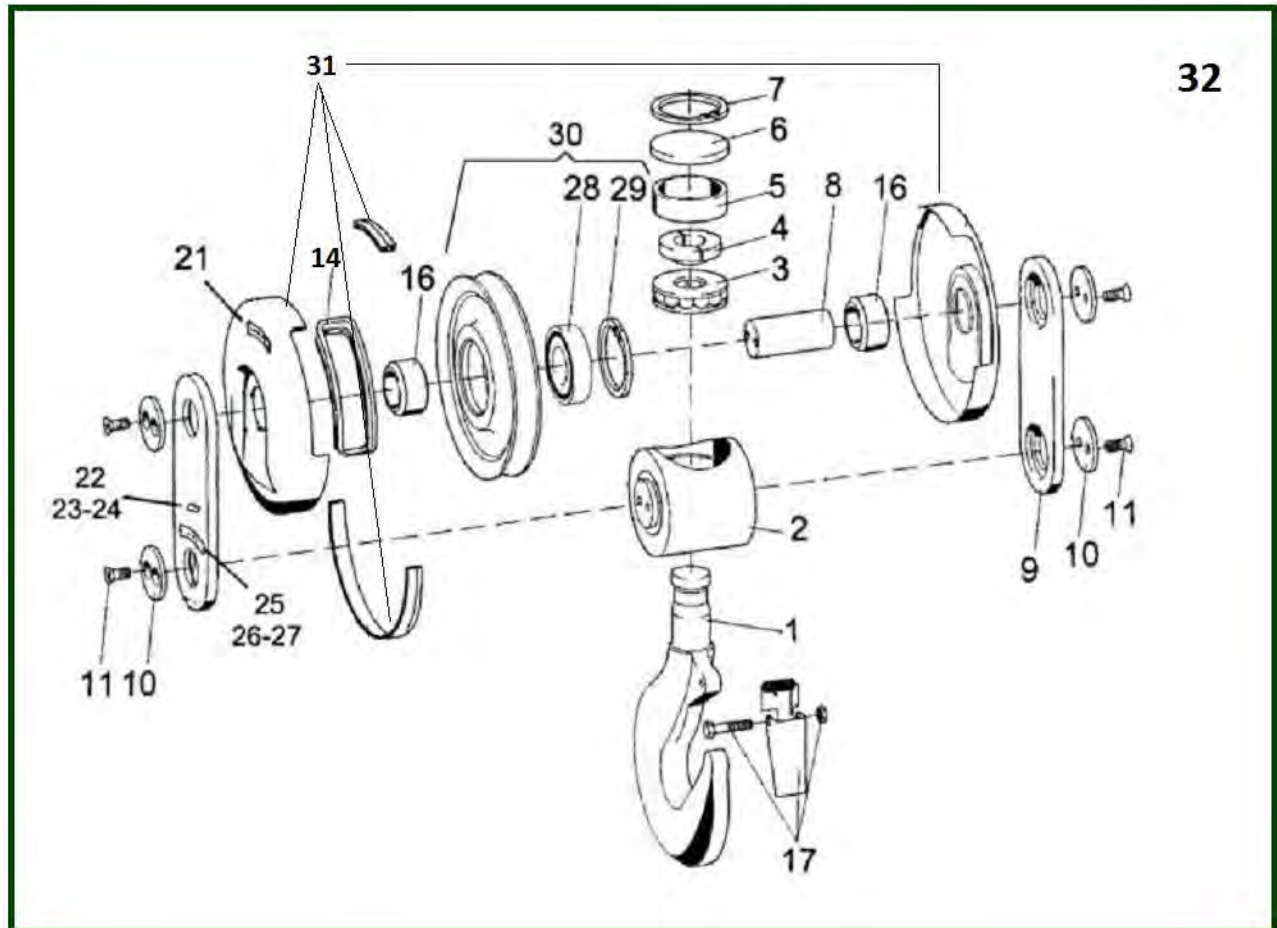
item	reference	description	observation	Quantity
5	<u>180051</u>	Spring limiteur	Type C	1
5	<u>180050</u>	Spring limiteur	Type D - HPR/LHT	1
5	<u>180049</u>	Spring limiteur	Type E - HPR/LHT	1
5	<u>180048</u>	Spring limiteur	Type F	1

10) Lifting hook - 1 roped



item	reference	description	observation	Quantity
L1T1	5233301W	Washer	Câble / Rope Ø 11 & 12 mm	1
L1T2	7431062S	Thrust bearing		1
L1T3	5233612J	Cylindrical dish	Câble / Rope Ø 11 & 12 mm	1
L1T4	5233613K	Half segment ring	Câble / Rope Ø 11 & 12 mm	1
L1T5	5233615N	Cap	Câble / Rope Ø 11 & 12 mm	1
L1T6	7261080D	Internal circlip - Ø 80		1
L1T7	5233302X	Axle	Câble / Rope Ø 11 & 12 mm	1
L1T8	7217434N	Pointed screw	Câble / Rope Ø 11 & 12 mm	1
L1T9	5233311G	Stirrup	Câble / Rope Ø 11 & 12 mm	1
L1T10	5233312H	Rope anchor pin		1
L1T11	7271404A	Split pin		2
L1T12	7231122R	Washer MU12		2
L1T13	5231410R	Rope anchorage		1
L1T14	8536223D	Key cable	Ø 6.5 mm	1
L1T	5233610G	Hook with safety catch		1
L1T BIS	SR32F	Safety catch (wire)	Câble / Rope Ø 11 & 12 mm	1
L1TC	3233310T	Complete hook block	Ø 6.5 mm	1

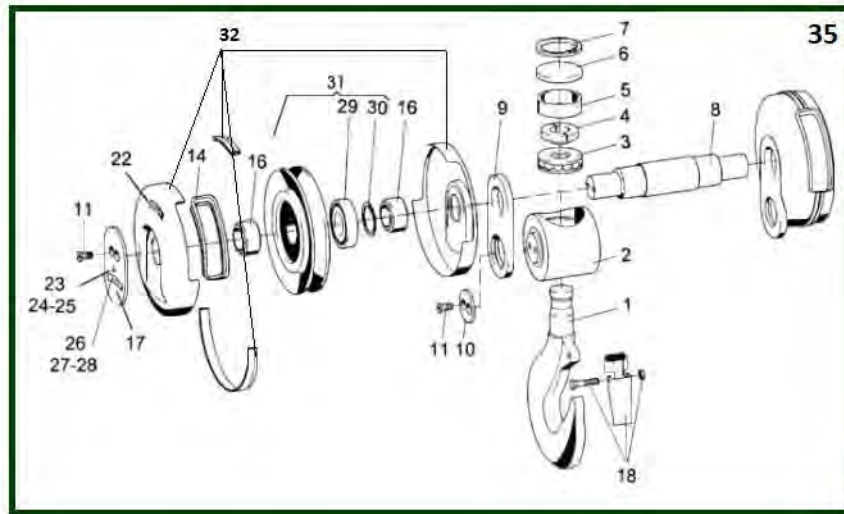
11) Lifting hook - 2 roped



item	reference	description	observation	Quantity
1	1112001	Hook		1
2	1112004	Beam		1
3	7431062S	Thrust bearing		1
4	1112019	Locking parts		1
5	1112018	Safety ring		1
6	1112005	Beam cover		1
7	7261060G	Circlip		1
8	1112012	Pulley shaft		1
9	1112035	Flat bar		2
10	1112016	Plate	1Am	4
11	7216403S	Screw	1AM-2/3M	8
14	1112009	Rope shield		2
16	1112031	Bushing		2
17	23233003	Safety latch N°1	RSN08	1
17	52315930	Safety latch plate type	Après / After 06/99	1
21	1112040	Stickers	« VERLINDE »	2
22	1112051	Stickers	« FEM 1Am »	1
23	1112052	Stickers	« FEM 2m »	1
24	1112053	Stickers	« FEM 3m »	1
25	1112041	Stickers	« 1 t »	1
26	1112042	Stickers	« 0.8 t »	1
27	1112043	Stickers	« 0.63 t »	1

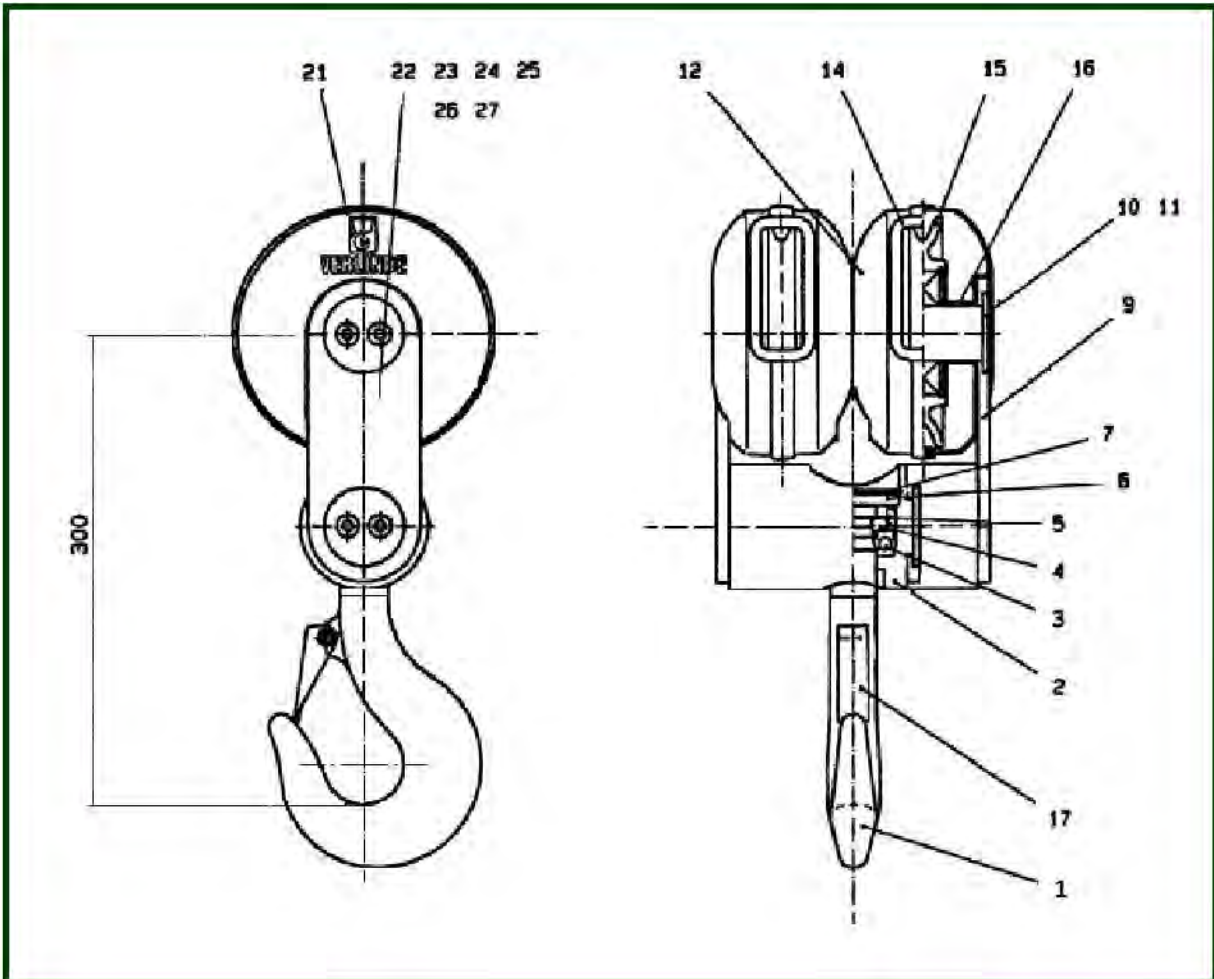
29	<u>7261080D</u>	Internal circlip - Ø 80		1
30	<u>1112520</u>	Complete pulley - Ø 125	1AM 20+21+11VS2 A, C et O	1
31	<u>1112086</u>	Cover set + sealing profile		1
32	<u>1112000</u>	Complete hook block		1

12) Lifting hook - 4 roped



item	reference	description	observation	Quantity
1	1112001	Hook		1
2	1112004	Beam		1
3	7431062S	Thrust bearing		1
4	1112019	Locking parts		1
5	1112018	Safety ring		1
6	1112005	Beam cover		1
7	7261060G	Circlip		1
8	1112013	Shaft		1
9	1112036	Flat bar		2
10	1112016	Plate	1Am	2
11	7216403S	Screw	1AM-2/3M	8
14	1112009	Rope shield		4
16	1112031	Bushing		4
17	1112017	Plate		2
18	23233003	Safety latch N°1	RSN08	1
18	52315930	Safety latch plate type	Après / After 06/99	1
22	1112040	Stickers	« VERLINDE »	2
23	1112051	Stickers	« FEM 1Am »	2
24	1112052	Stickers	« FEM 2m »	2
25	1112053	Stickers	« FEM 3m »	2
26	1122063	Stickers	« 2 t »	2
27	1122062	Stickers	« 1 6 t »	2
28	1122061	Stickers	« 1.25 t »	2
29	8112073	Bearing		1
30	7261080D	Internal circlip - Ø 80		1
31	1112520	Complete pulley - Ø 125	1AM 20+21+11VS2 A, C et O	1
32	1112086	Cover set + sealing profile		2
35	1112002	Complete hook block		1

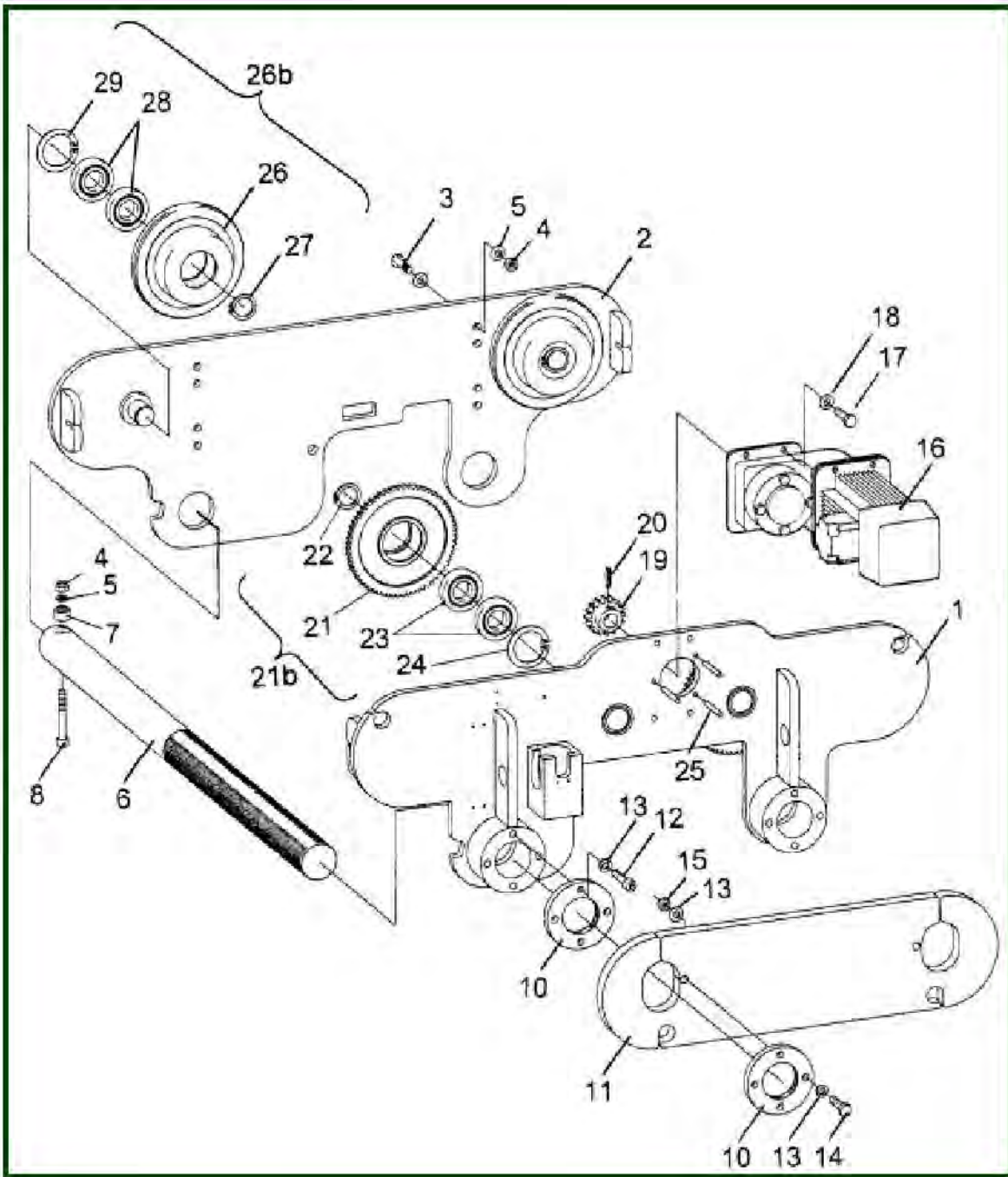
13) Lifting hook - 4/2 roped



item	reference	description	observation	Quantity
1	1112001	Hook		1
2	VS30207A	Beam		1
3	51206	Bearing		1
4	1112019	Locking parts		1
5	1112018	Safety ring		1
6	1112005	Beam cover		1
7	7261060G	Circlip		1
8	VS10073A	Shaft		1
9	1112035	Flat bar		2
10	1112016	Plate	1Am	4
11	7216403S	Screw	1AM-2/3M	8
13	1112007	Sealing profile		2
13	1112008	Sealing profile	Lg 266	2
14	1112009	Rope shield		4
15	1112520	Complete pulley - Ø 125	1AM 20+21+11VS2 A, C et O	2
16	1112031	Bushing		4
17	23233003	Safety latch N°1	RSN08	1
17	52315930	Safety latch plate type	Après / After 06/99	1
21	1112040	Stickers	« VERLINDE »	2
22	1112051	Stickers	« FEM 1Am »	1
23	1112052	Stickers	« FEM 2m »	1

24	<u>1112053</u>	Stickers	« FEM 3m »	1
25	<u>1112041</u>	Stickers	« 1 t »	1
26	<u>1112042</u>	Stickers	« 0.8 t »	1
27	<u>1112043</u>	Stickers	« 0.63 t »	1
-	<u>1112086</u>	Cover set + sealing profile		2

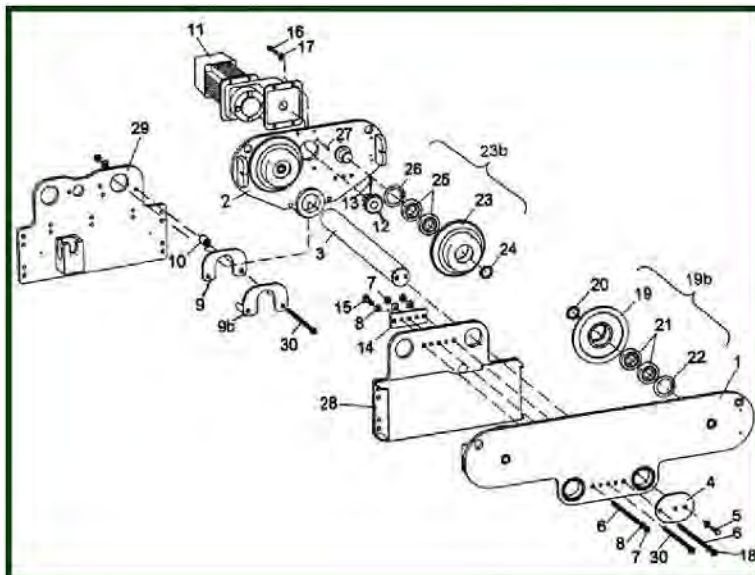
14) Low Headroom Trolley - LHT



item	reference	description	observation	Quantity
1	1113514	Side plate		1
2	1113511	Side plate for LHT hoist	VS102 R A - VS104 R A	1
3	8110042	Fixing screw set		4
4	8113533	Durlock Nut		12
5	7231202C	Washer		1
6	1113541	Thread bar		2
7	1113542	Bushing	* XS2-VS2..R..O (VSX)	4
8	830941	CHC screws 10 x 60	* XS2-VS2... A et C (qty 4) - VS2..R..O (VSX) (qty 2)	1
10	1113543	Tie rod nut		2

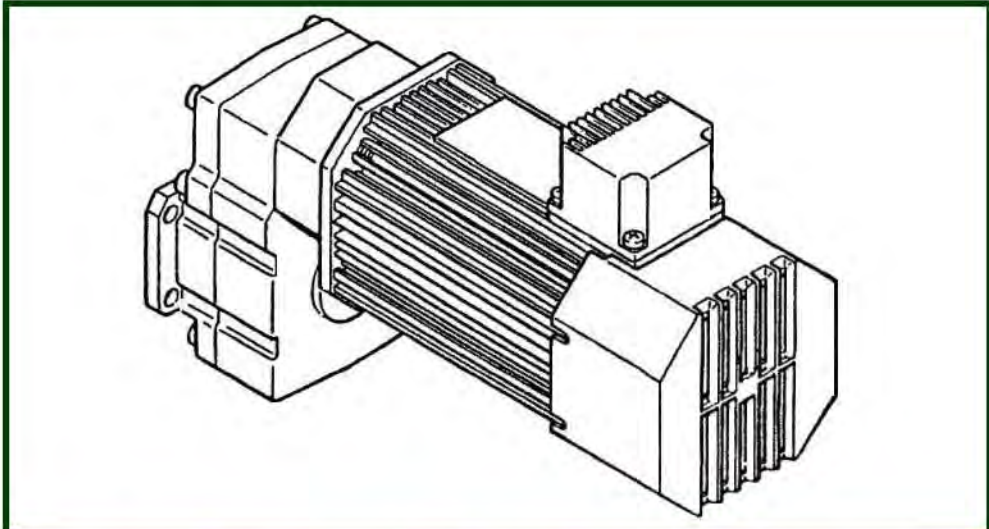
11	<u>1113548</u>	Counterweight		1
12	<u>830211</u>	HM screw	PRC2/3	4
13	<u>7232080G</u>	GROWER washer - Ø 8		6
14	<u>7211462W</u>	Screws		2
15	<u>831504</u>	Brake washer AZ M8	VS4....B...D - VS5.....D/E	1
17	<u>8011045</u>	Screws		4
18	<u>7232100D</u>	GROWER washer M10	DIN12 Standard - Frein automatique/Automatic brake	1
19	<u>1113532</u>	Drive wheel - 19 th		1
20	<u>7273458H</u>	Pin		1
21b	<u>1113508</u>	Driving wheel set - Ø 100	VB10D:100mm - VB10D - VS2..R..O (VSX) 2 roulements + 1 circlip + 1 galet moteur 2 Bearings + 1 circlip + 1 geared wheel	1
25	<u>8110059</u>	Dowell		3
26b	<u>1113507</u>	Idle wheel set - Ø 100	VB10D:100mm - VB10D - VS2..R..O (VSX) 2 roulements + 1 circlip + 1 galet porteur 2 Bearings + 1 circlip + 1 geared wheel	1
27	<u>400078</u>	Exterior circlip Ø 35	C2	2
28	<u>7412064S</u>	Bearing	VS2....O (VSX)	4
29	<u>300079</u>	Circlip - Ø 62	C3-C5- VS2... O (VSX)	2
-	<u>15038001</u>	Buffer	Tous types /All types	2
-	<u>1113517</u>	Buffer assy		1
-	<u>1113566</u>	Limit switch assy (travel)		1
-	<u>7541312D</u>	Travel limit switch	C1-C2-C3	1

15) Normal Headroom Trolley - NHT



item	reference	description	observation	Quantity
1	1114521	Opposite motor side plate		1
2	1114531	Motor side plate		1
3	1114541	Tie rod		2
4	1114544	Locking plate		1
5	830917	Screw CHC 8 x 25	Moteur N3 - Vis à coller / Screw paste	4
6	1114503	Threaded bar		2
8	7231122R	Washer MU12		1
9	1114545	Locking plate		1
9b	1113516	Locking plate		1
10	1134511	Bushing		2
11	voir chap.17	Travelling motorgear	GS2..RPC+MF07	1
12	1113532	Drive wheel - 19 th		2
13	7273458H	Pin		1
14	1114502	Locking plate		1
15	830407	Screw		2
16	8011550	Screw		4
17	7232100D	GROWER washer M10	DIN12 Standard - Frein automatique/Automatic brake	8
18	831594	NYLSTOP nut - M12 - DIN985	PRC1	5
19b	1113507	Idle wheel set - Ø 100	VB10D:100mm - VB10D - VS2..R..O (VSX) 2 roulements + 1 circlip + 1 galet porteur 2 Bearings + 1 circlip + 1 geared wheel	1
23b	1113508	Driving wheel set - Ø 100	VB10D:100mm - VB10D - VS2..R..O (VSX) 2 roulements + 1 circlip + 1 galet moteur 2 Bearings + 1 circlip + 1 geared wheel	1
24	400078	Exterior circlip Ø 35	C2	2
25	7412064S	Bearing	VS2....O (VSX)	4
26	300079	Circlip - Ø 62	C3-C5- VS2... O (VSX)	2
27	8110059	Dowell		3
28	1114514	Side plate for NHT hoist	VS102 N A - VS104 N A	1
29	1114515	Side plate for NHT hoist	VS1....N..A	1
30	1114504	Threaded bar		3
-	1114525	Limit switch assy (travel)		1
-	7541312D	Travel limit switch	C1-C2-C3	1

16) Motorgearbox for monorail hoist NHT and LHT



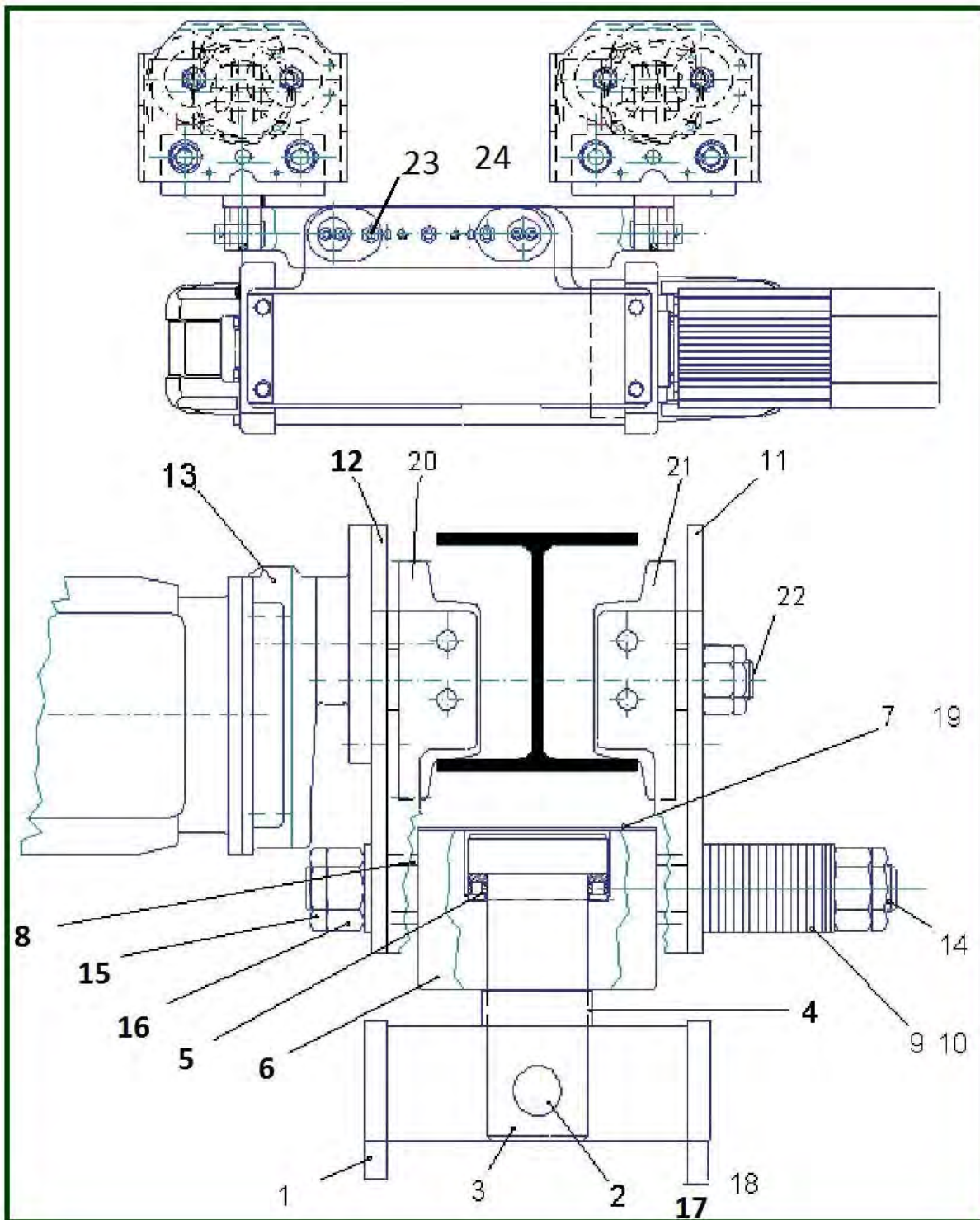
VITESSE	REDUCTEUR	CODE	MOTEUR	CODE * Avant 04/1999	CODE ** Apres 04/1999	Nb.
SPEED	GEAR	CODE	MOTOR	CODE * Before 04/1999	CODE ** After 04/1999	Pc.
POUR PALAN MONORAIL HPN + HPR FOR MONORAIL HOIST SHORT AND NORMAL HEADROOM TROLLEY						
10/2,5	GS332RPC	1	MF07LA104 220V	4	7	1
			MF07LA104 380V	5	8	
			MF07LA104 415V	6	9	
20/5	GS315RPC	2	MF07LA104 220V	4	7	
			MF07LA104 380V	5	8	
			MF07LA104 415V	6	9	
20/5 Apres avril 1999	GS115RPC	3	MF07S104 220V		10	
			MF07S104 380V		11	

* Avant avril 1999 : moteur prise métal grise Before april 1999 : motor with grey metal plug
 ** Apres avril 1999 : moteur prise plastique noire After april 1999 : motor with black plastic plug
 Autres vitesses, nous consulter For other speeds, please consult us

item	reference	description	observation	Quantity
1	1117507	Gearbox GS332RPC	Vitesse / Speed 10/2,5	1
2	1117504	Gearbox GS315RPC	Vitesse / Speed 20/5	1
3	1117510	Gearbox GS115RPC	Vitesse / Speed 20/5 Après avril 1999 / After april 1999	1
4	25808102	Travelling motor MF07LA104 3000/750-220V/50Hz-0,25/0,06KW	Prise Wieland avant avril 1999 Wieland plug before april 1999 GS315RPC : VS304<5T & VS306	1
5	25808103	Travelling motor MF07LA104 3000/750-380V/50Hz-0,25/0,06KW	Prise Wieland avant avril 1999 Wieland plug before april 1999 GS315RPC : VS304<5T & VS306	1
6	25808104	Travelling motor MF07LA14 3000/750-415V/50Hz-W415V-0,25/0,06KW	Prise Wieland avant avril 1999 Wieland plug before april 1999 GS315RPC : VS304<5T & VS306	1
7	25808102P	Travelling motor MF07LA104 3000/750-220V/50Hz-0,25/0,06KW	Prise plastique après avril 1999 Plastic plug after april 1999 GS315RPC : VS304<5T & VS306	1
8	25808103P	Travelling motor MF07LA104 MF07LA104-3000/750- 380V/50Hz-0,25/0,06KW	Prise plastique après avril 1999 Plastic plug after april 1999 GS315RPC : VS304<5T & VS306	1
9	25808104P	Travelling motor MF07LA14 3000/750-415V/50Hz-W415V-0,25/0,06KW	Prise plastique après avril 1999 Plastic plug after april 1999	1

10	<u>25808112</u>	Travelling motor MF07S104 3000-750t/mn - 0.20/0.05kw - 230V/50Hz	Prise plastique après avril 1999 Plastic plug after april 1999 VS302	1
11	<u>25808113</u>	Travelling motor MF07S104 3000-750t/mn - 0.20/0.05kw - 400v/50Hz	Prise plastique après avril 1999 Plastic plug after april 1999 VS302	1
12	<u>1113532</u>	Drive wheel - 19 th		1
13	<u>7273458H</u>	Pin		1

17) Swivelling trolley



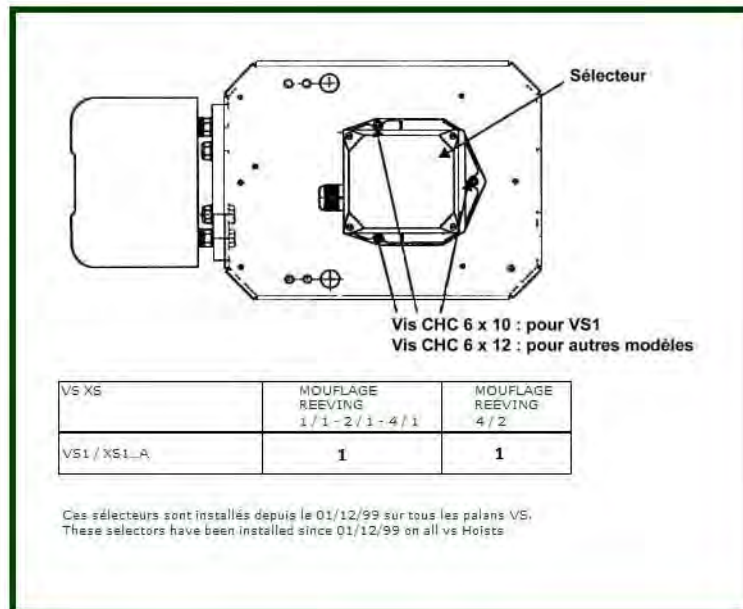
item	reference	description	observation	Quantity
1	V2RAB02A	Beam		1
2	1143515	Pivot shaft		2
3	1139002	Pivoting shaft		2
4	V1RAB21A	Stabilizing washer		2
5	51110	Thrust ball bearing		2

6	<u>V1RAB22A</u>	Swivel pin square		2
7	<u>1139005</u>	Cover		2
8	<u>558968</u>	Spacer tube	C2 - Court/Short & Long	8
9	<u>832112</u>	Washers M24 - 4mm	C2	64
11	<u>558910</u>	Side plate (free) modul		2
12	<u>558911</u>	Side plate (drive) motor	C2	2
13	<u>558986</u>	Gearmotor LS71 11/3 m/mn - 0,12/0.03KW	C1-C2-C3 Plus fourni / Not supplied anymore	2
13	<u>558985</u>	Gearmotor LS71 20/5 m/mn - 0,25/0,06KW	C2-C3 Plus fourni / Not supplied anymore	2
14	<u>558963</u>	Tie rod - 260 mm	C2	4
14	<u>558964</u>	Tie rod - 325 mm	C2	4
14	<u>558965</u>	Tie rod - 390 mm	C2	4
15	<u>831576</u>	PAL nut M24	C2	8
16	<u>831540</u>	Nut H M24	CE - XB	8
17	<u>8150095</u>	Split pin		4
18	<u>832113</u>	Washers M24 - 2mm	C2	4
19	<u>7211151H</u>	Screw		8
20	<u>558919</u>	Driving wheel without shaft	C2 - Ø 80x120 mm	4
21	<u>558918</u>	Ung geared wheel	C2 - Ø 80x120 mm	4
22	<u>558915</u>	Wheel shaft	C2 - Jusqu'en 1999 / until 1999	8
23	<u>1144505</u>	Bar	Lg 250	3
24	<u>831594</u>	NYLSTOP nut - M12 - DIN985	PRC1	12
-	<u>V30165A</u>	Beam	VS204 2..OC	1

18) Electrical parts

item	reference	description	observation	Quantity
1	1113045	Circuit braker	63VA 400V/48V	1
1	1113002	Circuit braker		1
2	1113048	Transformer	63 VA	1
3	834490	Push button	2VL+2VD+AU / 2HS+2CT+ES	1
3a	8812152B	Control cable	16x1,5 mm ²	1
4	7691114G	Counter cover		1
5	1113139	On & Off unit		1
6	1113022	Contacteur		1
7	1133050	Ultimate limit switch-auto reset	Upper limit switch	1
7a	1133051	Ultimate limit switch-manuel reset		1
7b	7541412N	Limit switch contact - Top		1
7c	7541312D	Travel limit switch	C1-C2-C3	1
7c	1123046	Travel limit switch - 2 steps		1
8	1113113	Limit switch	Jusqu'à / To 30/11/99	2
9	1115062	Brake rectifier REC12 For main voltage 230V to 690V	Moteur/Motor P1 à/to P5	1
10	1113043	Motor protector - 48V	MSL 48C	1
10	1113071	Motor protector - 115V	MSL 115C	1
10	1113072	Motor protector - 230V	MSL 230C	1
11	1113011	Auxilliary block		2
11	1113009	Auxilliary block		1
12	1113023	Reversing contactor	400V-48V Levage+direction/Hoisting cross travelling LC2ECO9E (7531023V)	1
12	1113021	Selector contactor	48V	1
13	1113125	Hour counter - 48V-50Hz		1
13	1123044	Hour counter - 110V-50Hz		1
13	7691116J	Hour counter - 220V-50Hz		1
14	1113094	Counter support		1
15	1113101	Monitor+transformer	CU1	1
16	1103001	Monitor+connectors	CU1	1

19) Mounting and choosing the came selector



item	reference	description	observation	Quantity
1	<u>GTES67DZM</u>	Rotating limit switch - 4C	XS2 - VS2...C et Z 1/1-2/1-4/1 Depuis/Since 01/12/99	1