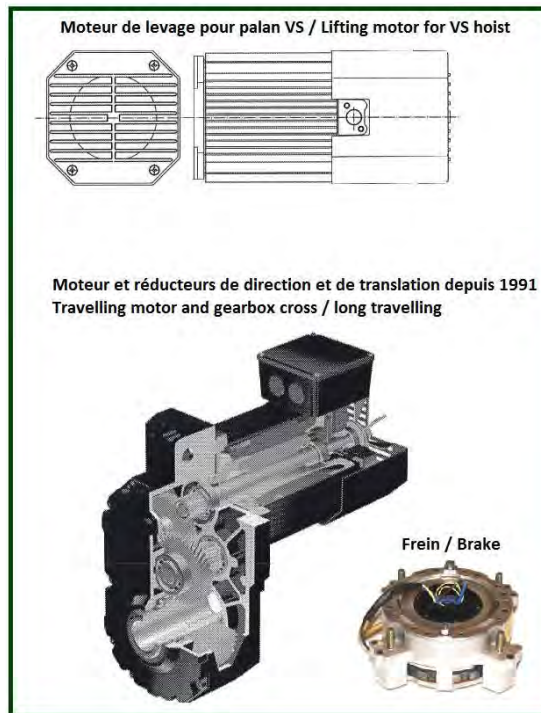


## Spare Parts - VS Motors

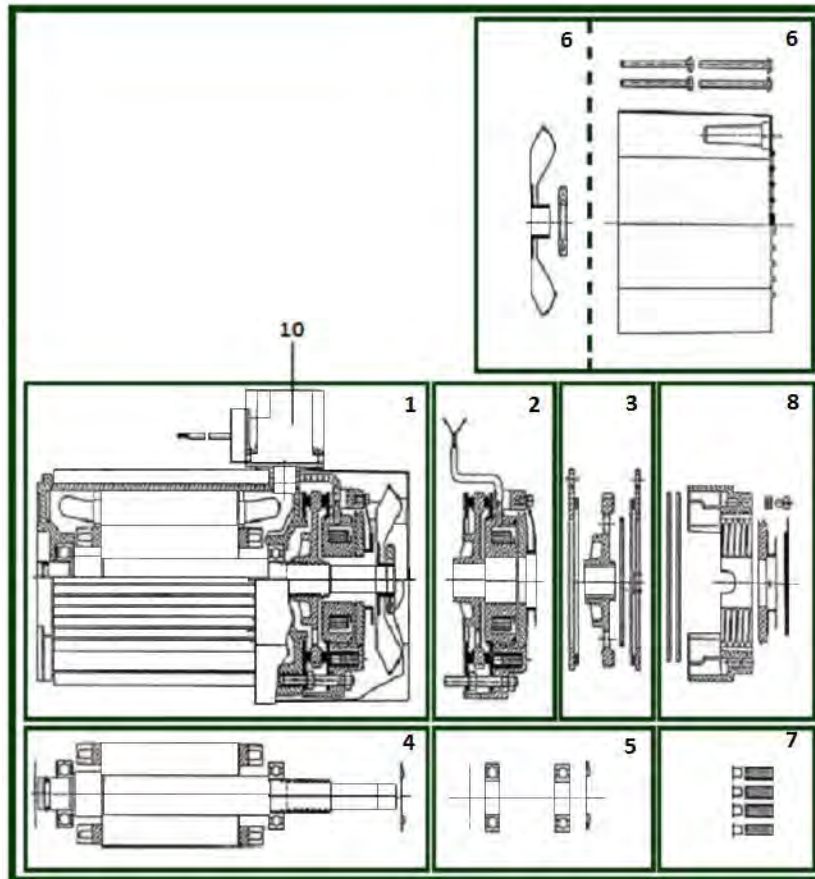
To avoid errors, when ordering please specify:

- Complete type of hoist
- Date of manufacture and serial number
- Spare part code
- Spare part designation
- Additional information



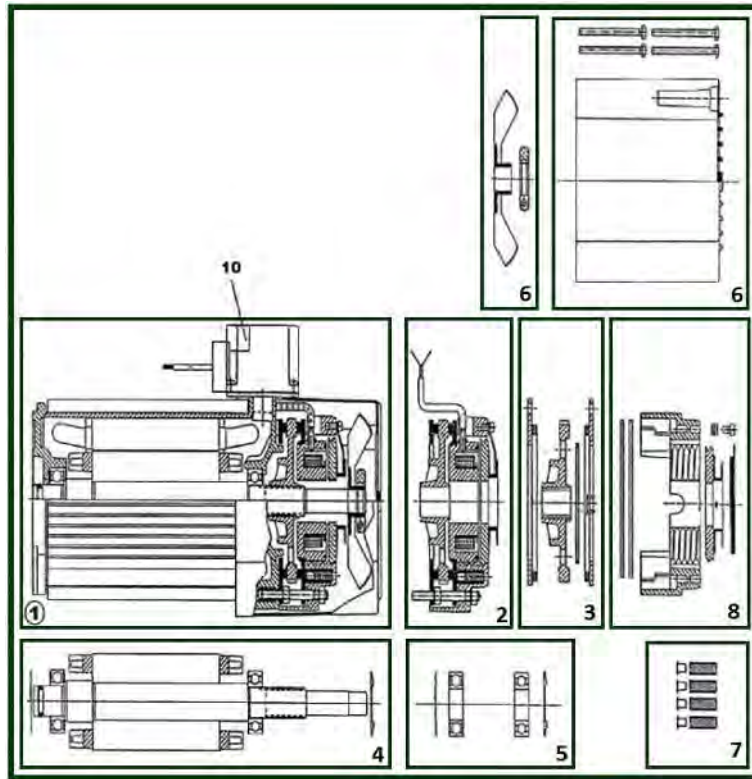
- 1) VS MOTOR N1- MF09ZA
- 2) VS MOTOR N2 - MF10ZA
- 3) VS MOTOR N3 - MF11ZA
- 4) VS MOTOR N4 - MF13
- 5) VS MOTOR N5 - MF16ZA
- 6) TRAVELLING MOTOR MF 07
  - 6.1) Travelling Motor MF07 with WIELAND Plug
  - 6.2) Travelling Motor MF07 with plastic plug
- 7) TRAVELLING MOTOR MF09 - AFTER 1994
  - 7.1) Travelling motor MF09 - Before 1994
  - 7.2) Travelling motor MF09M14 - Before 1994
- 8) TRAVELLING MOTOR MF10/11/13
- 9) VS MOTOR D2 - MF10 - MANUAL BRAKE
- 10) VS MOTOR D3 - MF11 - MANUAL BRAKE
- 11) VS MOTOR D4 - MF13 - MANUAL BRAKE

# 1) VS motor N1- MF09ZA



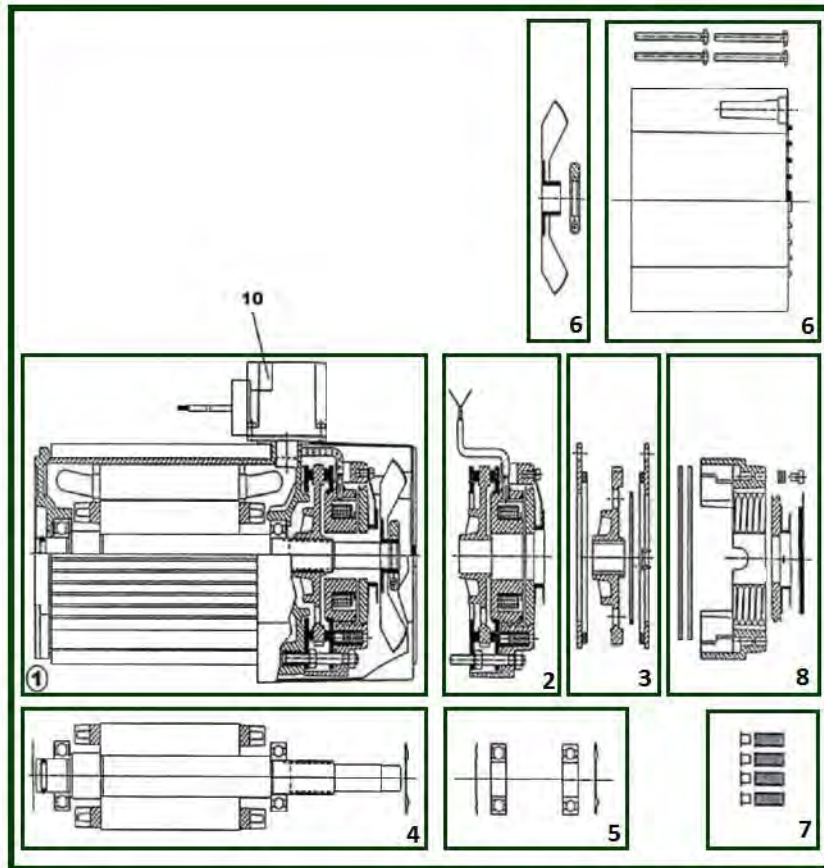
item	reference	description	observation	Quantity
1	<a href="#">1117004</a>	Complete motor 1,9/0,3 kw 380V/50HZ - 440V/50HZ	VS1 N1	1
1	<a href="#">1117001</a>	Complete motor 1,9/0,3 kw 400V/50HZ/460V/50HZ	VS1 N1	1
1	<a href="#">1117002</a>	Complete motor 1.9/0.3 kw 230V/50HZ	VS1 N1	1
1	<a href="#">1117003</a>	Complete motor 1.9/0.3 kw 415V/50HZ/480V/60HZ	VS1 N1	1
2	<a href="#">11170214</a>	Complete brake	Mot 660 à 690V	1
2	<a href="#">11170215</a>	Complete brake - 100V	Mot 200 à 240V	1
2	<a href="#">11170212</a>	Complete brake - 190V	Mot 346 à 480V	1
2	<a href="#">11170213</a>	Complete brake - 220 V	Mot 500 à 600V	1
3	<a href="#">11171031</a>	Brake repairing set	VS N1 - VS2 N2	1
4	<a href="#">11171042</a>	Complete motor	VS1 N1	1
5	<a href="#">11171051</a>	Bearing set	VS1 N1 - VS N2	1
6	<a href="#">11171061</a>	Fan & cover	VS1 N1	1
7	<a href="#">11171071</a>	Brake springs	VS1 N1	1
8	<a href="#">11171081</a>	Autom. Adjusting repairing set	VS N1 - VS N2	1
10	<a href="#">1113070</a>	Connecting box	VS N1 - VS N2 - VS N3 VS D2 - VS D3 - VS D4	1
11	<a href="#">11171151</a>	End plate + seal	VS1 N1 L'accouplement doit être commandé avec le moteur de levage The coupling must be ordered with the hoisting motor	1
12	<a href="#">11171161</a>	End plate + seal	VS1 N1 L'accouplement doit être commandé avec le moteur de levage The coupling must be ordered with the hoisting motor	1
-	<a href="#">11170157</a>	Brake coil 100V & brake repair kit	Plus dispo / N/A	1
-	<a href="#">11170156</a>	Brake coil 190V & brake repair kit	Plus dispo / N/A	1
-	<a href="#">PIG0005</a>	Coupling		1
-	<a href="#">1115062</a>	Rectifier		1

## 2) VS motor N2 - MF10ZA



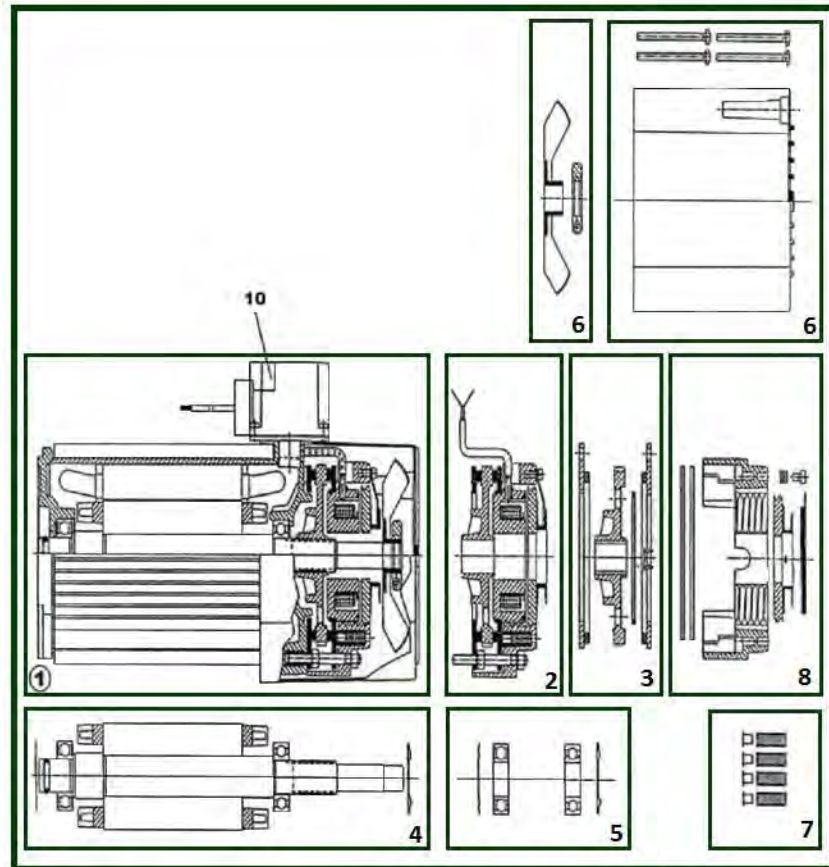
item	reference	description	observation	Quantity
1	<a href="#">1127002</a>	Complete motor 3,5/0,5Kw 230V/50HZ	VS N2	1
1	<a href="#">1127004</a>	Complete motor 3,5/0,5Kw 380V/50HE-440V/60HZ	VS N2	1
1	<a href="#">1127001</a>	Complete motor 3,5/0,5Kw 400V/50Hz-460V/60HZ	VS N2	1
1	<a href="#">1127003</a>	Complete motor 3,5/0,5Kw 415V/50HZ-480V/60HZ	VS N2	1
2	<a href="#">11270213</a>	Complete brake	Mot 500 à 600V	1
2	<a href="#">11270214</a>	Complete brake	Mot 660 à 690V	1
2	<a href="#">11270623</a>	Complete brake	Mot G2 400V manuel (bobine 220V)	1
2	<a href="#">11270215</a>	Complete brake - 100V	Mot 200 à 240V	1
2	<a href="#">11270212</a>	Complete brake - 190V	Mot 346 à 480V	1
3	<a href="#">11171031</a>	Brake repairing set	VS N1 - VS2 N2	1
4	<a href="#">11272042</a>	Complete rotor	VS N2	1
5	<a href="#">11171051</a>	Bearing set	VS1 N1 - VS N2	1
6	<a href="#">11272061</a>	Fan & cover	VS N2	1
7	<a href="#">11272071</a>	Brake springs	VS N2	1
8	<a href="#">11171081</a>	Autom. Adjusting repairing set	VS N1 - VS N2	1
9	<a href="#">11170158</a>	Electrical cooling fan	VS N2	1
10	<a href="#">1113070</a>	Connecting box	VS N1 - VS N2 - VS N3 VS D2 - VS D3 - VS D4	1
11	<a href="#">11371151</a>	End flange + seal - Gearbox side	VS N2 - VS N3 L'accouplement doit être commandé avec le moteur de levage The coupling must be ordered with the hoisting motor	1
12	<a href="#">11371161</a>	End flange + seal - Brake side	VS N2 - VS N3 L'accouplement doit être commandé avec le moteur de levage The coupling must be ordered with the hoisting motor	1
13	<a href="#">11270159</a>	Pulse detector	VS N1 - VS N2 - VS N3	1
-	<a href="#">11170157</a>	Brake coil 100V & brake repair kit	Plus dispo / N/A	1
-	<a href="#">11170156</a>	Brake coil 190V & brake repair kit	Plus dispo / N/A	1
-	<a href="#">PIG0005</a>	Coupling		1
-	<a href="#">1115062</a>	Rectifier		1

### 3) VS motor N3 - MF11ZA



item	reference	description	observation	Quantity
1	<a href="#">1137002</a>	Complete motor 7,5/1,2Kw 230V/50Hz	VS3...N3	1
1	<a href="#">1137004</a>	Complete motor 7,5/1,2Kw 380V/50Hz - 440V/60Hz	VS3...N3	1
1	<a href="#">1137001</a>	Complete motor 7,5/1,2Kw 400V/50Hz - 460V/60Hz	VS3...N3	1
1	<a href="#">1137003</a>	Complete motor 15/2,5 Kw 400V/50Hz - 460V/60Hz	VS3...N3	1
2	<a href="#">11370213</a>	Complete brake	Mot 500 à 600V	1
2	<a href="#">11370214</a>	Complete brake	Mot 660 à 690V	1
2	<a href="#">11370215</a>	Complete brake - 100V	Mot 200 à 240V	1
2	<a href="#">11370212</a>	Complete brake - 190V	Mot 346 à 480V	1
2	<a href="#">11370343</a>	Complete manual brake	Mot G3 400V (bobines 220V)	1
3	<a href="#">11373031</a>	Brake repairing set	VS3/4 N3/F3	1
4	<a href="#">11373042</a>	Complete rotor	VS3/4 N3/F3	1
5	<a href="#">11373051</a>	Complete bearing	VS3/4 N3/F3	1
6	<a href="#">11373061</a>	Fan & cover	VS3/4 N3/F3	1
6a	<a href="#">1137152</a>	Fan	VS3/4 N3/F3	1
7	<a href="#">11373071</a>	Brake spring	VS3/4 N3/F3	1
8	<a href="#">11373081</a>	Autom. Adjusting repairing set	VS3/4 N3/F3	1
10	<a href="#">1113070</a>	Connecting box	VS N1 - VS N2 - VS N3 VS D2 - VS D3 - VS D4	1
-	<a href="#">11370157</a>	Brake coil 100V & brake repair kit	Plus dispo / N/A	1
-	<a href="#">11370156</a>	Brake coil 190V & brake repair kit	Plus dispo / N/A	1
-	<a href="#">11371161</a>	End flange + seal - Brake side	VS N2 - VS N3 L'accouplement doit être commandé avec le moteur de levage The coupling must be ordered with the hoisting motor	1
-	<a href="#">11371151</a>	End flange + seal - Gearbox side	VS N2 - VS N3 L'accouplement doit être commandé avec le moteur de levage The coupling must be ordered with the hoisting motor	1
-	<a href="#">M T28</a>	External fan	Pour mot F3 seulement For F3 motor only	1
-	<a href="#">11370309</a>	Pulse detector	VS3/4 N3	1
-	<a href="#">1115062</a>	Rectifier		1
	<a href="#">P3G0008</a>	Coupling	VS3 N3 - VS4...LN3	1

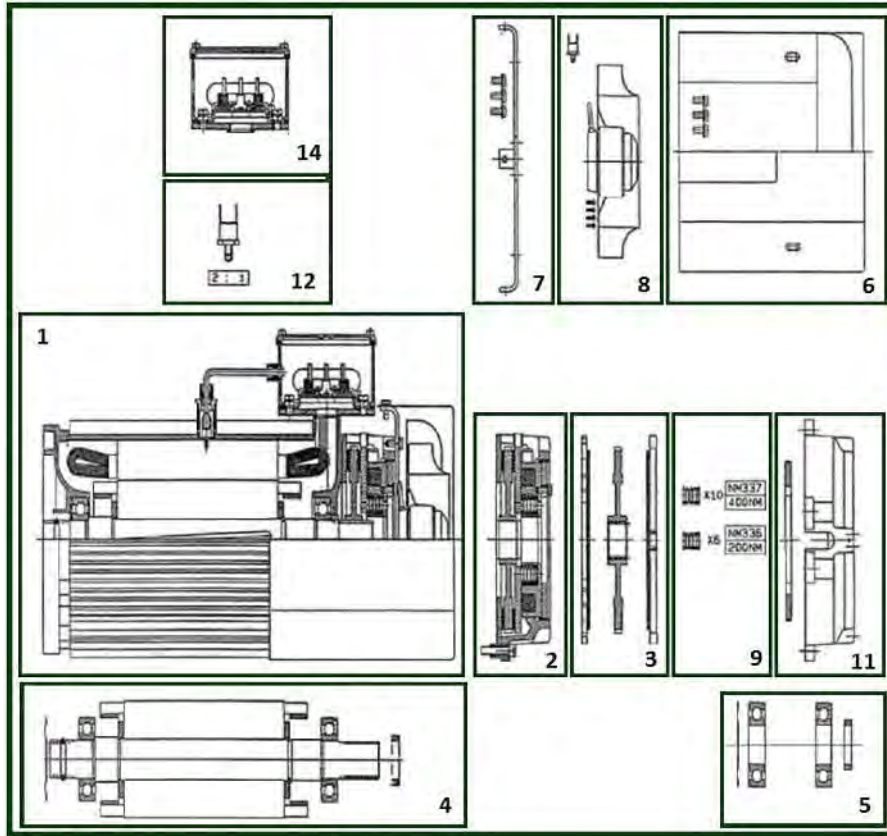
## 4) VS motor N4 - MF13



item	reference	description	observation	Quantity
1	<a href="#">1147010</a>	Complete motor 7.5/2.5kw 400V/50Hz - 460V/60Hz 1500/500 TR/min	VS4 L4	1
1	<a href="#">1147001</a>	Complete motor 15/2,5Kw 400V/50Hz - 460V/60Hz	N4	1
1	<a href="#">1147002</a>	Complete motor 15/2,5Kw 230V/50Hz	N4	1
1	<a href="#">1147004</a>	Complete motor 15/2,5Kw 380V-50Hz/440V-60Hz	N4	1
1	<a href="#">1147003</a>	Complete motor 15/2,5Kw 415V/50Hz - 480V/60Hz	N4	1
1	<a href="#">1147007</a>	Complete motor 15kw 400V/50HZ 3000 TR/min	VS4 F4-400V	1
2	<a href="#">11470213</a>	Complete brake	Mot 500 à 600V	1
2	<a href="#">11470214</a>	Complete brake	Mot 660 à 690V	1
2	<a href="#">11470215</a>	Complete brake - 100V	Mot 200 à 240V	1
2	<a href="#">11470212</a>	Complete brake - 190V	Mot 346 à 480V	1
3	<a href="#">11373031</a>	Brake repairing set	VS3/4 N3/F3	1
4	<a href="#">11474042</a>	Complete rotor	VS4/5/6 N4/F4	1
5	<a href="#">11474051</a>	Bearing set	VS4/5/6 N4/F4	1
6	<a href="#">11474062</a>	Fan	VS4 -VS5-VS6 - N4/F4	1
6	<a href="#">11474061</a>	Fan + cover	VS4 -VS5-VS6 - N4/F4	1
7	<a href="#">11474071</a>	Brake springs	VS4/5/6 N4/F4	1
8	<a href="#">11373081</a>	Autom. Adjusting repairing set	VS3/4 N3/F3	1
10	<a href="#">1143070</a>	Connecting box	VS4 N4	1
11	<a href="#">11471151</a>	End flange + seal	VS4 N4 L'accouplement doit être commandé avec le moteur de levage The coupling must be ordered with the hoisting motor	1

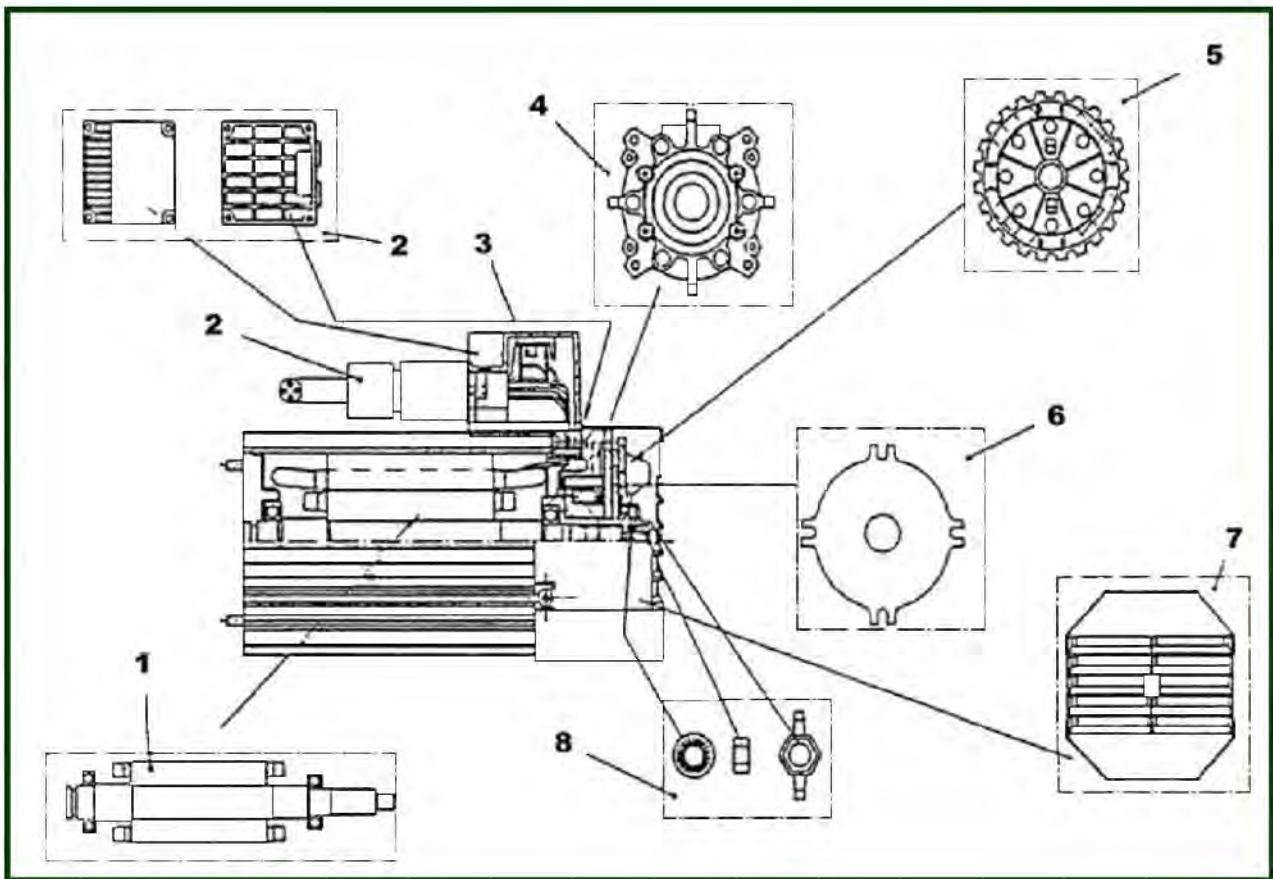
12	<u>11471161</u>	End flange + seal	VS4 N4 L'accouplement doit être commandé avec le moteur de levage The coupling must be ordered with the hoisting motor	1
13	<u>11370309</u>	Pulse detector	VS3/4 N3	1
-	<u>11370157</u>	Brake coil 100V & brake repair kit	Plus dispo / N/A	1
-	<u>11370156</u>	Brake coil 190V & brake repair kit	Plus dispo / N/A	1
-	<u>1113044</u>	Brake rectifier ESD141 For main voltage 230V to 690V	Motor P6 to P9	1
-	<u>P4G0013</u>	Coupling	VS4...RN4/NN4	1

## 5) VS motor N5 - MF16ZA



item	reference	description	observation	Quantity
1	<a href="#">1157002</a>	Complete motor 230V/50HZ	VS5/6 N5	1
1	<a href="#">1157001</a>	Complete motor 400V/50HZ-460V/60HZ	VS5/6 N5	1
1	<a href="#">1157003</a>	Complete motor 415V/50HZ-460V/60HZ	VS5/6 N5	1
2	<a href="#">11570213</a>	Complete brake	Mot 500 à 600V	1
2	<a href="#">11570214</a>	Complete brake	Mot 656 à 690V	1
2	<a href="#">11570215</a>	Complete brake - 100V	Mot 200 à 240V	1
2	<a href="#">11570212</a>	Complete brake - 190V	Mot 346 à 480V	1
3	<a href="#">11575031</a>	Brake repairing set	VS5/6 N5/F5	1
4	<a href="#">11575042</a>	Complete rotor	VS5/6 N5/F5	1
5	<a href="#">11570505</a>	Bearing set	VS5/6 N5/F5	1
6	<a href="#">11575063</a>	Fan cover	VS5/6 N5/F5	1
7	<a href="#">11575064</a>	Fan support	VS5/6 N5/F5	1
8	<a href="#">11575062</a>	Fan & thermostat	VS5/6 N5/F5	1
9	<a href="#">11575072</a>	Brake springs	VS5/6 N5/F5	1
10	<a href="#">1113044</a>	Brake rectifier ESD141 For main voltage 230V to 690V	Motor P6 to P9	1
11	<a href="#">11570508</a>	Brake housing	VS5/6 N5/F5	1
12	<a href="#">11571121</a>	Thermostat	VS5/6 N5/F5 L'accouplement doit être commandé avec le moteur de levage The coupling must be ordered with the hoisting motor	1
13	<a href="#">11575101</a>	Pulse detector with holder	VS5/6 N5/F5 L'accouplement doit être commandé avec le moteur de levage The coupling must be ordered with the hoisting motor	1
14	<a href="#">NCBDC</a>	Connecting box	VS5/6 N5/F5	1
15	<a href="#">11571151</a>	End flange + seal	VS5/6 N5/F5	1
16	<a href="#">11571161</a>	End flange + seal	VS5/6 N5/F5	1
-	<a href="#">P5G0013</a>	Coupling	VS5...N5	1

## 6) Travelling motor MF 07



item	reference	description	observation	Quantity
2	<a href="#">15522001</a>	Complete connecting box plastic		1
2	<a href="#">52298744</a>	Complete connecting box plug	Pour moteur MF07 depuis 2002 avec kit palan VT	1
2	<a href="#">1113211</a>	Female Plastic socket	Pour tous les moteurs MF07 For all the motor MF07	1
3	<a href="#">15823007</a>	Rectifier	Moteur / Motor 220V	1
3	<a href="#">15823006</a>	Rectifier	Moteur / Motor 380 à 550V	1
4	<a href="#">15823001</a>	Brake coil with holder - 170V		1
5	<a href="#">15823004</a>	Brake wheel with friction material		1
6	<a href="#">15823003</a>	Fixed braking armature		1
7	<a href="#">15822001</a>	Fan cover		1
8	<a href="#">15823005</a>	Brake disc locking set		1
11	<a href="#">15823002</a>	Spring set 6 parts	MF07LA104/2NM : ty 3 MF07LA206/2.6NM : ty 4 MF07LB104/2.6NM : ty 4 MF07ZC104/4NM : ty 6 MF07S104/2NM : ty 3	1
	<a href="#">8940/20</a>	Complet brake - 180V		1
-	<a href="#">PIG0005</a>	Coupling		1
-	<a href="#">VS10109A</a>	Rain cover		1



## 6.1) Travelling Motor MF07 with WIELAND Plug

Avant/Before 30/04/99

item	reference	description	observation	Quantity
	<u>15822002</u>	Complete connecting box	Prise Wieland avant avril 1999 Wieland plug before april 1999	1
	<u>25808104</u>	Travelling motor MF07LA14 3000/750t/mn-415V/50Hz- W415V-0,25/0,06kw	Prise Wieland avant avril 1999 Wieland plug before april 1999	1
	<u>25808102</u>	Travelling motor MF07LA104 3000/750t/mn-220V/50Hz-0,25/0,06Kw	Prise Wieland avant avril 1999 Wieland plug before april 1999	1
	<u>25808103</u>	Travelling motor MF07LA104 3000/750t/mn - 380V/50Hz - 0,25/0,06kw	Prise Wieland avant avril 1999 Wieland plug before april 1999	1
	<u>25518102</u>	Travelling motor MF07LA206 1500/500t/mn - 220V/50Hz - 0.27/0.07Kw	Prise Wieland avant avril 1999 Wieland plug before april 1999	1
	<u>25518104</u>	Travelling motor MF07LA206 1500/500t/mn - 415V/50Hz - 0.27/0.07Kw	Prise Wieland avant avril 1999 Wieland plug before april 1999	1
	<u>25518103</u>	Travelling motor MF07LA206 1500/500t/mn - 380 400V/50Hz - 0.27/0.07Kw	Prise Wieland avant avril 1999 Wieland plug before april 1999	1
	<u>25809302</u>	Travelling motor MF07LB104+PTC 3000/750t/mn - 230V/50Hz - 0.45/0.11kw	Prise Wieland avant avril 1999 Wieland plug before april 1999	1
	<u>25809103</u>	Travelling motor MF07LB104+PTC 3000/750t/mn - 380V/50Hz - 0.25/0.06kw	Prise Wieland avant avril 1999 Wieland plug before april 1999	1
	<u>25809303</u>	Travelling motor MF07LB104+PTC 3000/750t/mn - 380V/50Hz - 0.45/0.11kw	Prise Wieland avant avril 1999 Wieland plug before april 1999	1
	<u>25809304</u>	Travelling motor MF07LB104+PTC 3000/750t/mn - 415V/50Hz - 0.45/0.11kw	Prise Wieland avant avril 1999 Wieland plug before april 1999	1
	<u>25808302</u>	Travelling motor MF07LB104 3000/750t/mn - 220V/50Hz - 0.45/0.11Kw	Prise Wieland avant avril 1999 Wieland plug before april 1999	1
	<u>25808304</u>	Travelling motor MF07LB104 3000/750t/mn - 415V/50Hz - 0.45/0.11kw	Prise Wieland avant avril 1999 Wieland plug before april 1999	1
	<u>25808303</u>	Travelling motor MF07LB104 3000/750t/mn - 380 400V/50Hz - 0.45/0.11kw	Prise Wieland avant avril 1999 Wieland plug before april 1999	1
	<u>25518204</u>	Travelling motor MF07ZB206 1500/500 - 415V/50Hz-0.37/0.10kw	Prise Wieland avant avril 1999 Wieland plug before april 1999	1
	<u>25518202</u>	Travelling motor MF07ZB206 1500/500t/mn - 220V/50Hz - 0.37/0.10kw	Prise Wieland avant avril 1999 Wieland plug before april 1999	1
	<u>25518203</u>	Travelling motor MF07ZB206 1500/500t/mn - 380 400V/50Hz- 0.37/0.10kw	Prise Wieland avant avril 1999 Wieland plug before april 1999	1
	<u>25509413</u>	Travelling motor MF07ZC104+PTC 3000/750t/mn - 380 400V/50Hz - 0.65/0.15Kw	Prise Wieland avant avril 1999 Wieland plug before april 1999	1
	<u>25508412</u>	Travelling motor MF07ZC104 3000/750t/mn - 220V/50Hz - 0.65/0.15Kw	Prise Wieland avant avril 1999 Wieland plug before april 1999	1
	<u>25508413</u>	Travelling motor MF07ZC104 3000/750t/mn - 380 - 400V/50Hz - 0.65/0.15Kw	Prise Wieland avant avril 1999 Wieland plug before april 1999	1
	<u>25508414</u>	Travelling motorMF07ZC104 3000/750t/mn - 415V/50Hz - 0.65/0.15Kw	Prise Wieland avant avril 1999 Wieland plug before april 1999	1

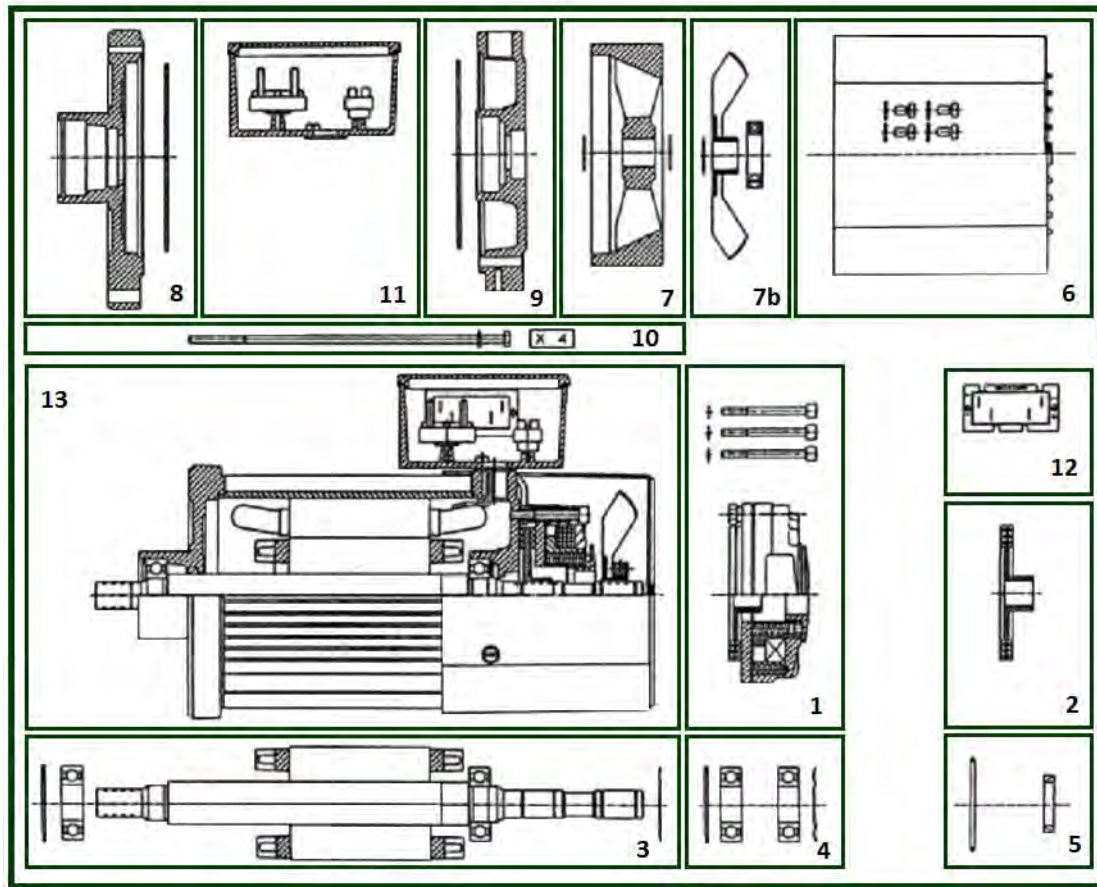
## 6.2) Travelling Motor MF07 with plastic plug

Depuis/Since 01/05/1999

item	reference	description	observation	Quantity
9	<u>25808104P</u>	Travelling motor MF07LA14 3000/750t/mn - 415V/50Hz - 0,25/0,06kw	Prise plastique apres avril 1999 Plastic plug after april 1999	1
9	<u>25808102P</u>	Travelling motor MF07LA104 3000/750t/mn - 220V/50Hz - 0,25/0,06Kw	Prise plasti que apres avril 1999 Plastic plug after april 1999	1
9	<u>25808103P</u>	Travelling motor MF07LA104 3000/750t/mn - 380V/50Hz - 0,25/0,06kw	Prise plastique apres avril 1999 Plastic plug after april 1999	1
9	<u>25518102P</u>	Travelling motor MF07LA206 1500/500t/mn - 220V/50Hz-0.27/0.07Kw	Prise plastique apres avril 1999 Plastic plug after april 1999	1
9	<u>25518104P</u>	Travelling motor MF07LA206 1500/500t/mn - 415 V/50Hz - 0.27/0.07Kw	Prise plastique apres avril 1999 Plastic plug after april 1999	1
9	<u>25518103P</u>	Travelling motor MF07LA206 1500/500t/mn - 380 400V/50Hz-0.27/0.07Kw	Prise plastique apres avril 1999 Plastic plug after april 1999	1
9	<u>25809302P</u>	Travelling motor MF07LB104+PTC 3000/750t/mn - 230V/50Hz - 0.45/0.11kw	Prise plasti que apres avril 1999 Plastic plug after april 1999	1
9	<u>25809103P</u>	Travelling motor MF07LB104+PTC 3000/750t/mn - 380V/50H z- 0.25/0.06kw	Prise plastique apres avril 1999 Plastic plug after april 1999	1
9	<u>25809303P</u>	Travelling motor MF07LB104+PTC 3000/750t/mn - 380V/50Hz - 0.45/0.11kw	Prise plastique apres avril 1999 Plastic plug after april 1999	1
9	<u>25809304P</u>	Travelling motor MF07LB104+PTC 3000/750t/mn - 415V/50Hz - 0.45/0.11kw	Prise plastique apres avril 1999 Plastic plug after april 1999	1
9	<u>25808302P</u>	Travelling motor MF07LB104 3000/750t/mn - 220V/50H z- 0.45/0.11Kw	Prise plastique apres avril 1999 Plastic plug after april 1999	1
9	<u>25808304P</u>	Travelling motor MF07LB104 3000/750t/mn - 415V/50Hz - 0.45/0.11kw	Prise plastique apres avril 1999 Plastic plug after april 1999	1
9	<u>25808303P</u>	Travelling motor MF07LB104 3000/750t/mn - 380 400V/50Hz - 0.45/0.11kw	Prise plasti qe apres avril 1999 Plastic plug after april 1999	1
9	<u>25518202P</u>	Travelling motor MF07ZB206 1500/500t/mn - 220V/50Hz - 0.37/0.10kw	Prise plastique apres avril 1999 Plastic plug after april 1999	1
9	<u>25518204P</u>	Travelling motor MF07ZB206 1500/500t/mn - 415V/50Hz - 0.37/0.10kw	Prise plastique apres avril 1999 Plastic plug after april 1999	1
9	<u>25518203P</u>	Travelling motor MF07ZB206 1500/500t/mn - 380 400V/50Hz - 0.37/0.10kw	Prise plastique apres avril 1999 Plastic plug after april 1999	1
9	<u>25509413P</u>	Travelling motor MF07ZC104+PTC 3000/750t/mn - 380 400V/50Hz - 0.65/0.15Kw	Prise plastique apres avril 1999 Plastic plug after april 1999	1
9	<u>25508412P</u>	Travelling motor MF07ZC104 3000/750t/mn - 220V/50Hz - 0.65/0.15Kw	Prise plastique apres avril 1999 Plastic plug after april 1999	1
9	<u>25508414P</u>	Travelling motorMF07ZC104 3000/750t/mn - 415V/50Hz - 0.65/0.15Kw	Prise plastique apres avril 1999 Plastic plug after april 1999	1
9	<u>25508413P</u>	Travelling motor MF07ZC104 3000/750t/mn - 380 400V/50Hz - 0.65/0.15Kw	Prise plastique apres avril 1999 Plastic plug after april 1999	1

## 7) Travelling motor MF09 - After 1994

Ne pas oublier le pignon d'attaque / Do not forget the drive pinion



item	reference	description	observation	Quantity
1	<a href="#">25808435</a>	Complete brake 100V 9NM LB104/LB206		1
1	<a href="#">25808535</a>	Complete brake 100V LA104/LA206		1
1	<a href="#">25808431</a>	Complete brake 170V 9NM LB104/LB206	Pour moteur / For motor 280/400V	1
1	<a href="#">25808419</a>	Complete brake 170V 16NM	Frein 170V	1
1	<a href="#">25808531</a>	Complete brake 170V LA104/LA206	Pour moteur / For motor 380/400V	1
1	<a href="#">25808432</a>	Complete brake 190V 9NM LB104/LB206	Pour moteur / For motor 220V	1
1	<a href="#">25808532</a>	Complete brake 190V LA104/LA206	Pour moteur / For motor 220V	1
1	<a href="#">25808433</a>	Complete brake 220V 9NM LB104/LB206	Pour moteur / For motor 500V	1
1	<a href="#">25880853</a>	Complete brake 220V LA104/LA206	Pour moteur / For motor 500V	1
1	<a href="#">25808434</a>	Complete brake 290V 9NM LB104/LB206	Pour moteur / For motor 660V	1
1	<a href="#">25808534</a>	Complete brake 290V LA104/LA206	Pour moteur / For motor 660V	1
2	<a href="#">25808411</a>	Brake wheel	n° 354415	1
2	<a href="#">25808414</a>	Brake wheel MF09 16NM		1
2	<a href="#">25808413</a>	Brake wheel - 40mm 4 & 9NM - MF09		1
3	<a href="#">25808436</a>	Complete rotor	NC	1
4	<a href="#">25808437</a>	Bearing set	NC	1
5	<a href="#">25808438</a>	Shaft seal	NC	1
6	<a href="#">25808439</a>	Fan cover		1

7	<a href="#">25808440</a>	Flywheel NM	MF09LB068 to 073 MF09L-102	1
7b	<a href="#">25808441</a>	Fan	MF09LA050 to 54 MF09LN062 to 067	1
8	<a href="#">25808442</a>	Front flange		1
9	<a href="#">25808443</a>	End shield		1
10	<a href="#">25808444</a>	Screw set		1
11	<a href="#">25808445</a>	Connecting vox		1
12	<a href="#">15823007</a>	Rectifier	Moteur / Motor 220V	1
12	<a href="#">15823006</a>	Rectifier	Moteur / Motor 380 à 550V	1
13	<a href="#">25808505</a>	Motor MF09LA04 3000/750t/mn -380 400V/50Hz - 0,65/0,15KW		1
13	<a href="#">25519413</a>	Motor MF09LA20+PTC 1500/500t/mn - 380 400V/50Hz - 0,30/0,07KW		1
13	<a href="#">NCMMF1</a>	Motor MF09LA206 1500/500t/mn - 220V/50Hz -0,30/0,07KW		1
13	<a href="#">NCMMF3</a>	Motor MF09LA206 1500/500t/mn - 415V/50Hz - 0,30/0,07KW		1
13	<a href="#">NCMMF2</a>	Motor MF09LA206 1500/500t/mn - 380 400V/50Hz - 0,30/0,07KW		1
13	<a href="#">25809405</a>	Motor MF09LB100+PTC 3000t/mn - 380/400V/50Hz - 1,8KW		1
13	<a href="#">NCMMF5</a>	Motor MF09LB104 3000/750 - 415V/50Hz - 0,65/0,15KW		1
13	<a href="#">25808402</a>	Motor MF09LB104 3000/750t/mn - 220V/50Hz - 1,3/0,3KW		1
13	<a href="#">25808405</a>	Motor MF09LB104 3000/750 t/mn - 380/400V/50Hz -1,3/0,3KW		1
13	<a href="#">NCMMF4</a>	Motor MF09LB104 3000/750t/mn - 415V/50Hz - 1,3/0,3KW		1
13	<a href="#">25518422</a>	Motor MF09LB206 1500/500t/mn - 220V/50Hz - 0,65/0,15KW		1
13	<a href="#">25518423</a>	Motor MF09LB206 1500/500t/mn - 380/400V/50HZ - 0,65/0,15KW		1
13	<a href="#">25518424</a>	Motor MF09LB206 1500/500t/mn - 415V/50HZ - 0,65/0,15KW		1

## 7.1) Travelling motor MF09 - Before 1994

Code	Moteur / Motor	Vitesses/ Speed (Tr/min)	Puissance/ Power	Tension/ Voltage
NC	MF09LA206	1500/500	0.30/0.07kw	220V50HZ
NC	MF09LA206	1500/500	0.30/0.07kw	380/400V/50HZ
NC	MF09LA206	1500/500	0.30/0.07kw	415V/50HZ
25518422	MF09LB206	1500/500	0.65/0.15kw	220V50HZ
25518423	MF09LB206	1500/500	0.65/0.15kw	380/400V/50HZ
25518424	MF09LB206	1500/500	0.65/0.15kw	415V/50HZ
25519413	MF09LA20+PTC	1500/500	0.30/0.07kw	380/400V/50HZ
25808402	MF09LB104	3000/750	1.3/0.3kw	220V50HZ
25808405	MF09LB104	3000/750	1.3/0.3kw	380/400V/50HZ
NC	MF09LB104	3000/750	1.3/0.3kw	415V/50HZ
25809405	MF09LB100+PTC	3000	1.8kw	380/400V/50HZ
NC	MF09LA04	3000/750	0.65/0.15kw	220V50HZ
25808505	MF09LA04	3000/750	0.65/0.15kw	380/400V/50HZ
NC	MF09LA04	3000/750	0.65/0.15kw	415V/50HZ

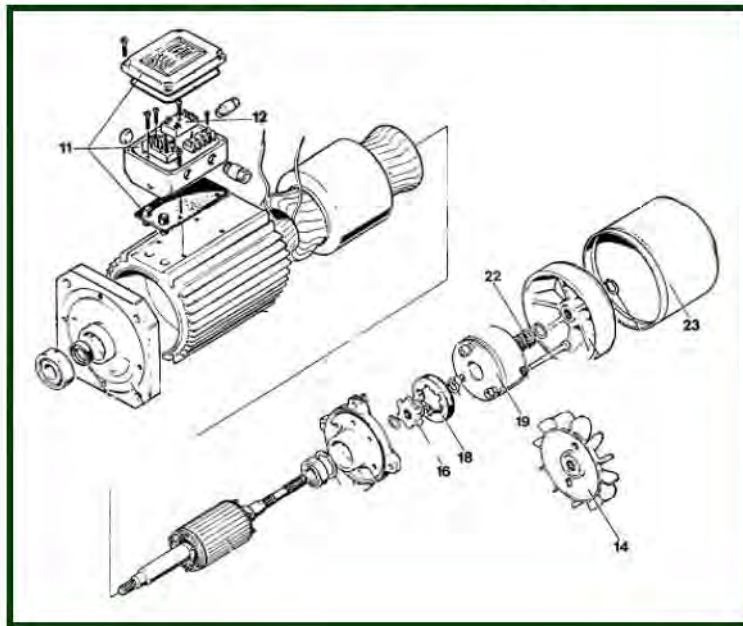
(\*) N.C : Nous consulter / Please consult us  
 Pour les moteurs MF09/MF10/MF11, préciser le pignon à monter (voir tableau CI DESSOUS).  
 For MF09/MF10/MF11 motors, please specify the pinion to mount on the output shaft (SEE BELOW).

CODE DE PIGNON	PINION REFERENCE	TYPE DE MOTEUR	MOTOR
52001025	D , ext. 50,7 / 28D / D. int. 20	MF11(D,20)	MF10(D,20)MF09(D,18)
52001024	D , ext. 50,7 / 28D / D. int. 18		
52001027	D , ext. 40,8 / 22D / D. int. 20	MF10 (D,20)	MF09(D,18)
52001026	D , ext. 40,8 / 22D / D. int. 18		
52001029	D , ext. 35,8 / 19D / D. int. 20	MF10(D,20)	MF09(D,18)
52001028	D , ext. 35,8 / 19D / D. int. 18		

item	reference	description	observation	Quantity
1B	<u>35823001</u>	KEB brake 170V	Arbre cannelé moteur 400V Splined shaft/motor 400V	1
1B	<u>8051/2</u>	KEB brake 190V	Arbre cannelé moteur 230V Splined shaft/motor 230V	1
2	<u>35823008</u>	Brake lining		1
6	<u>35822001</u>	Cover		1
7	<u>35822003</u>	Fly wheel		1
7B	<u>8043</u>	Plastic fan		1
11	<u>25808445</u>	Connecting vox		1
12	<u>15823007</u>	Rectifier	Moteur / Motor 220V	1
12	<u>15823006</u>	Rectifier	Moteur / Motor 380 à 550V	1
-	<u>8044</u>	Hub		1

## 7.2) Travelling motor MF09M14 - Before 1994

MF09M14 - 3000/750t/mn - 0,65/0,18 Kw  
 MF09M26A - 1500/500t/mn - 0,3/0,07 Kw

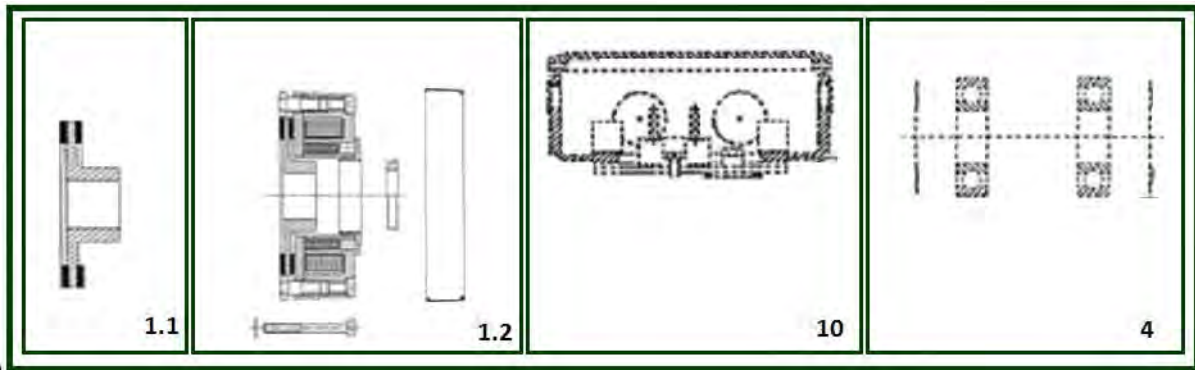


item	reference	description	observation	Quantity
11	<a href="#">25808445</a>	Connecting vox		1
12	<a href="#">15823007</a>	Rectifier	Moteur / Motor 220V	1
12	<a href="#">15823006</a>	Rectifier	Moteur / Motor 380 à 550V	1
14	<a href="#">8048</a>	Plastic fan		1
16	<a href="#">8046</a>	Hub Brake lining		1
18	<a href="#">35823004</a>	Brake lining		1
19+18+16	<a href="#">8041/1</a>	KEB brake 170V	Arbre cannelé mod le Num.3	1
19+18+16	<a href="#">8041/2</a>	KEB brake 190V	Arbre cannelé mod le Num.3	1
22	<a href="#">35823002</a>	Brake spring		1
23	<a href="#">35822001</a>	Cover		1

## **8) Travelling motor MF10/11/13**

<b>item</b>	<b>reference</b>	<b>description</b>	<b>observation</b>	<b>Quantity</b>
-	<u>25808415</u>	Brake wheel MF10	Frein 16 & 32NM Brake 16 & 32NM	1
-	<u>25808420</u>	Complete brake MF10	Frein/Brake 190V	1
-	<u>25808421</u>	Complete brake MF11	Frein/Brake 170V	1
-	<u>25808416</u>	D3 brake disc	Seulement pour moteur avec frein manuel d'origine 30 & 60NM Only for motor with original manual brake 30 & 60NM	1
-	<u>25808417</u>	D4 brake disc	Seulement pour moteur avec frein manuel d'origine Frein 40 & 80NM Only for motor with original manual brake 40 & 80NM	1
-	<u>15823007</u>	Rectifier	Moteur / Motor 220V	1
-	<u>15823006</u>	Rectifier	Moteur / Motor 380 à 550V	1

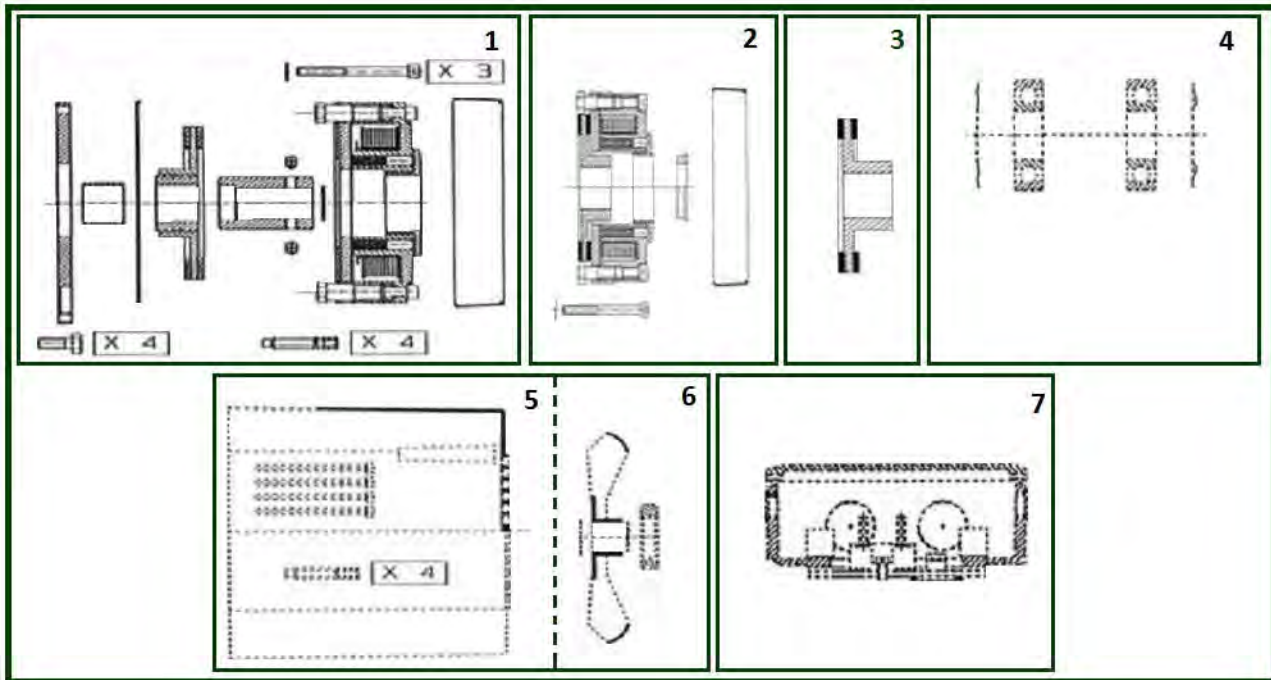
## 9) VS motor D2 - MF10 - Manual Brake



item	reference	description	observation	Quantity
1.1	<u>25808415</u>	Brake wheel MF10	Frein 16 & 32NM Brake 16 & 32NM	1
1.2	<u>NC</u>	Perpendiculaire Retainer	C5	1
4	<u>11171051</u>	Bearing set	VS1 N1 - VS N2	1
10	<u>1113070</u>	Connecting box	VS N1 - VS N2 - VS N3 VS D2 - VS D3 - VS D4	1
-	<u>1113044</u>	Brake rectifier ESD141 For main voltage 230V to 690V	Motor P6 to P9	1
=	<u>52269687</u>	D2 motor fan		1

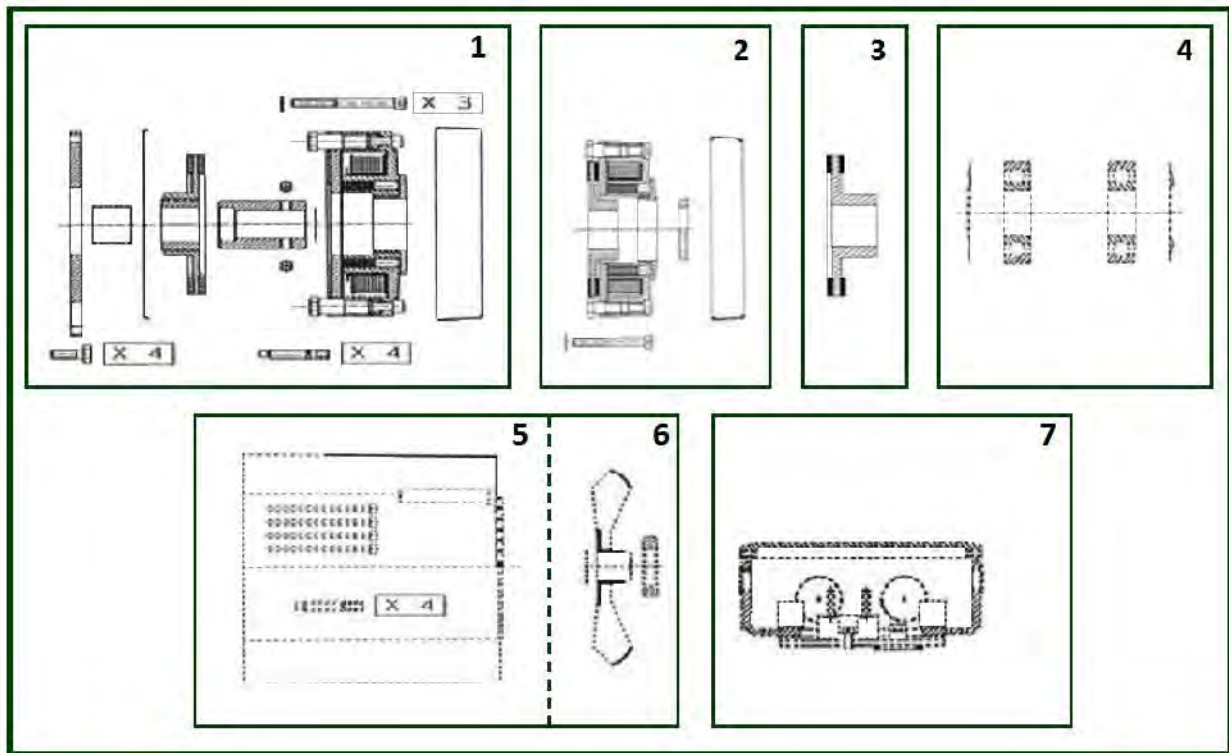


## 10) VS motor D3 - MF11 - Manual Brake



item	reference	description	observation	Quantity
1	<a href="#">11350188</a>	D3 brake adapting set - 190V	Seulement pour moteur avec frein automatique For motor with automatic brake	1
2	<a href="#">11350189</a>	D3 complete motor brake - 190V		1
3	<a href="#">25808416</a>	D3 brake disc	Seulement pour moteur avec frein manuel d'origine 30 & 60NM Only for motor with original manual brake 30 & 60NM	1
3	<a href="#">11350186</a>	D3 brake disc for set	Seulement pour moteur avec frein automatique d'origine Only for motor with original automatic brake	1
4	<a href="#">11373051</a>	Complete bearing	VS3/4 N3/F3	1
5+6	<a href="#">11373061</a>	Fan & cover	VS3/4 N3/F3	1
6	<a href="#">1137152</a>	Fan	VS3/4 N3/F3	1
7	<a href="#">1113070</a>	Connecting box	VS N1 - VS N2 - VS N3 VS D2 - VS D3 - VS D4	1
-	<a href="#">1113044</a>	Brake rectifier ESD141 For main voltage 230V to 690V	Motor P6 to P9	1
-	<a href="#">1137006</a>	Motor 400V/50Hz - 7,5/1,2Kw	VS3...D3 Frein manuel / Manual brake	1

## 11) VS motor D4 - MF13 - Manual Brake



item	reference	description	observation	Quantity
1	<a href="#">11450189</a>	D4 brake adaptation set - 190 V	Seulement pour moteur avec frein automatique Only for motor with automatic brake	1
2	<a href="#">11450187</a>	Complete brake D4 - 190 V	Seulement pour moteur avec frein automatique Only for motor with automatic brake	1
3	<a href="#">25808417</a>	D4 brake disc	Seulement pour moteur avec frein manuel d'origine Frein 40 & 80NM Only for motor with original manual brake 40 & 80NM	1
3	<a href="#">11450186</a>	D4 brake disc set	Seulement pour moteur avec frein automatique d'origine Only for motor with original automatic brake	1
4	<a href="#">11171051</a>	Bearing set	VS1 N1 - VS N2	1
5+6	<a href="#">11474061</a>	Fan + cover	VS4 -VS5-VS6 - N4/F4	1
6	<a href="#">11474062</a>	Fan	VS4 -VS5-VS6 - N4/F4	1
7	<a href="#">1113070</a>	Connecting box	VS N1 - VS N2 - VS N3 VS D2 - VS D3 - VS D4	1
	<a href="#">1113044</a>	Brake rectifier ESD141 For main voltage 230V to 690V	Motor P6 to P9	1
	<a href="#">1147006</a>	Complete motor 400V/50HZ - 7,5/1,2Kw		1