

## Spare parts VR05 - Phase 2 (Since july 2016)

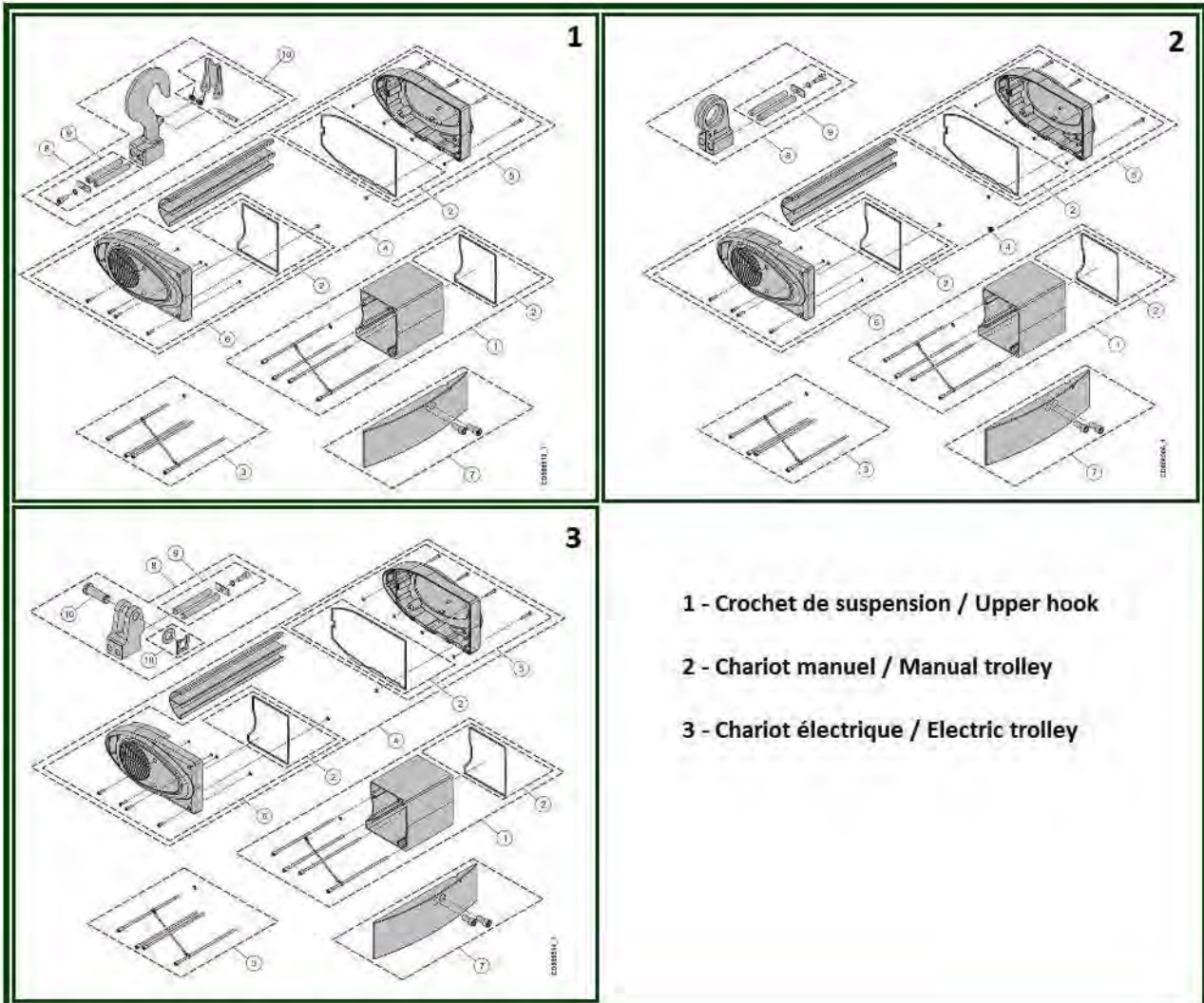
To avoid errors, when ordering please specify:

- Complete type of hoist
- Date of manufacture and serial number
- Spare part code
- Spare part designation
- Additional information

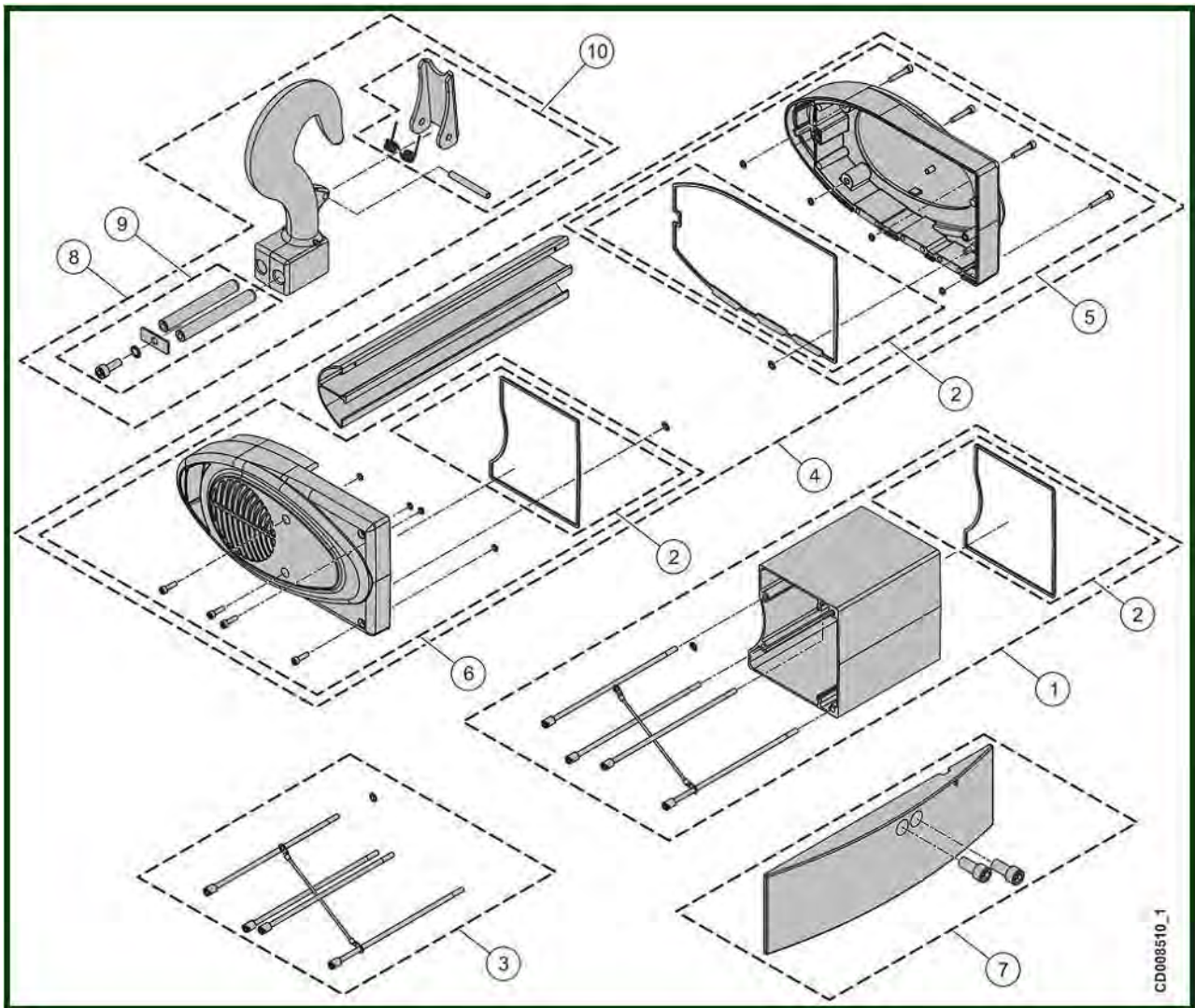


1.	FRAME .....	3
	1.1 Upper hook.....	4
	1.2 Manual trolley .....	6
	1.3 Electric trolley.....	8
2.	CHAIN GUIDE .....	9
	2.1 Chain 5x14 - 1 fall .....	10
	2.2 Chain 5x14 - 2 falls .....	12
	2.3 Standard hook RSN – Digichain .....	14
	2.4 Automatic hook– Digichain .....	17
	2.5 Precut chain.....	20
3.	GEAR.....	21
	3.1 Single brake - 8 -10 m / min .....	22
	3.2 Single brake- 16-20-24 m / min.....	23
	3.3 Double brakes - 8-10 m / min.....	24
	3.4 Double brakes- 16-20-24 m / min .....	25
4.	MOTOR.....	26
	4.1 Single brake .....	27
	4.2 Double brakes .....	29
5.	ELECTRICAL PARTS .....	31
	5.1 Solo equipment – Standard.....	32
	5.2 Equipment for Eurosystem steel & Alu. & PRV .....	35
	5.3 Equipment for crane kit - For UT+GTR+GTN .....	38
	5.4 Without electric component .....	40
	5.5 Direct voltage - ACF.....	41
	5.6 Solo hoist – Hard wiring .....	42
6.	PUSH BUTTONS CONTROLLER.....	43
	6.1 2 buttons .....	44
	6.2 4 buttons .....	46
	6.3 6 buttons .....	48
	6.4 Push button – From september 2014 .....	49
7.	NORMAL HEADROOM TROLLEY .....	52
	7.1 C1 Trolley - 0 to 1000 kg – Coupled version.....	53
	7.2 C2 Trolley - 1001 to 2000 kg – Coupled version.....	55
	7.3 Inverter TMU motor .....	57
	7.4 Two speeds TMU motor .....	58
	7.5 Chain travel .....	60
	7.6 Right angle motor.....	61
8.	LOW HEADROOM TROLLEY .....	62
	8.1 LHT - 1 fall.....	63
	8.2 LHT - 2 falls .....	65

# 1. FRAME



## 1.1 Upper hook

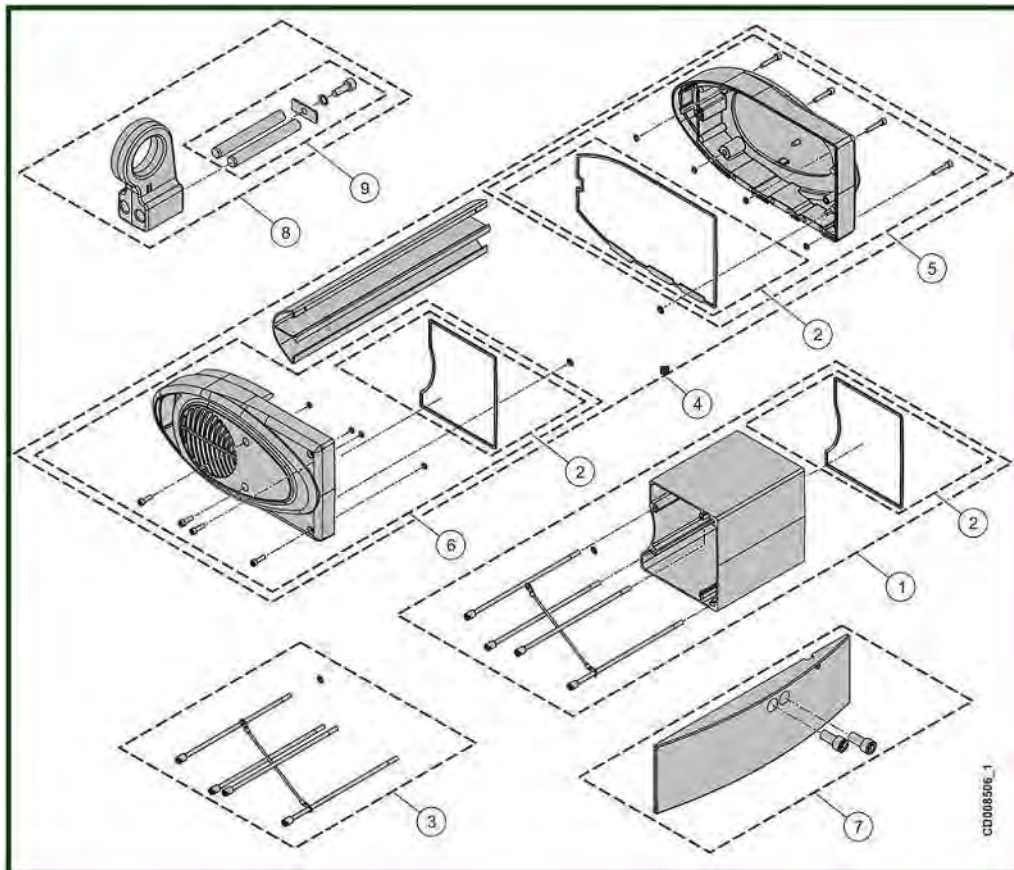


## Upper hook

Item	Reference	Description	Observation	Quantity
1	VT0008398	Housing module	Standard	1
1	VT0008946	Housing module	Gear Limit Switch - Double brakes	1
2	VT0009308	Sealings set		1
3	VT0006911	Screws set		1
4	VT0008399	Cover	Standard	1
4	VT0008400	Cover	Gear Limit Switch	1
5	VT0008401	Cover set- Brake side	Standard + Gear Limit Switch - Double brakes	1
6	VT0008402	Cover set- Motor side	Standard	1
6	VT0008962	Cover set- Motor side	Gear Limit Switch - Double brakes	1
7	VT0008403	Counterweight		1
8	VT0008404	Upper hook		1
9	VT0008405	Shaft set		1
10	VT0005903	Safety latch	Rotary hook - 1 fall	1
	VT0009152	Counterweight set	Standard	1
	VT0009153	Counterweight set	Gear Limit Switch - Double brakes	1
	VT0008406	Rain cover	Standard	1
	VT0009151	Rain cover	Gear Limit Switch - Double brakes	1
	VT0006026	Identification plate	Serial number request	1



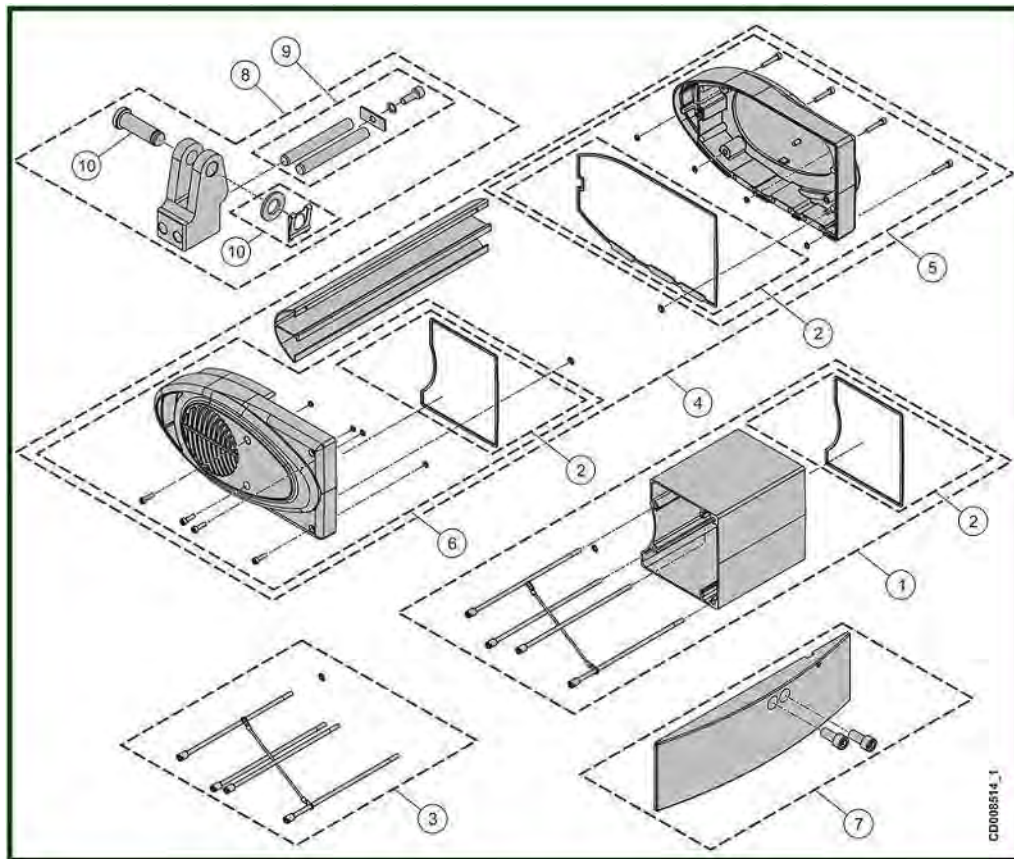
## 1.2 Manual trolley



## Manual trolley

Item	Reference	Description	Observation	Quantity
1	VT0008398	Housing module	Standard	1
1	VT0008946	Housing module	Gear Limit Switch-Double brakes	1
2	VT0009308	Sealings set		1
3	VT0006911	Screws set		1
4	VT0008399	Cover	Standard	1
4	VT0008400	Cover	Gear Limit Switch	1
5	VT0008401	Cover set- Brake side	Standard + Gear Limit Switch-Double brakes	1
6	VT0008402	Cover set- Motor side	Standard	1
6	VT0008962	Cover set- Motor side	Gear Limit Switch-Double brakes	1
7	VT0008403	Counterweight		1
8	VT0009699	Coupling parallel part	Manual trolley	1
8	VT0008765	Coupling perpendicular part	Manual trolley	1
9	VT0008405	Shaft set		1
-	VT0008406	Rain cover	Standard	1
-	VT0009151	Rain cover	Gear Limit Switch-Double brakes	1
-	VT0009152	Counterweight set	Standard	1
-	VT0009153	Counterweight set	Gear Limit Switch-Double brakes	1
-	VT0006026	Identification plate	Serial number request	1

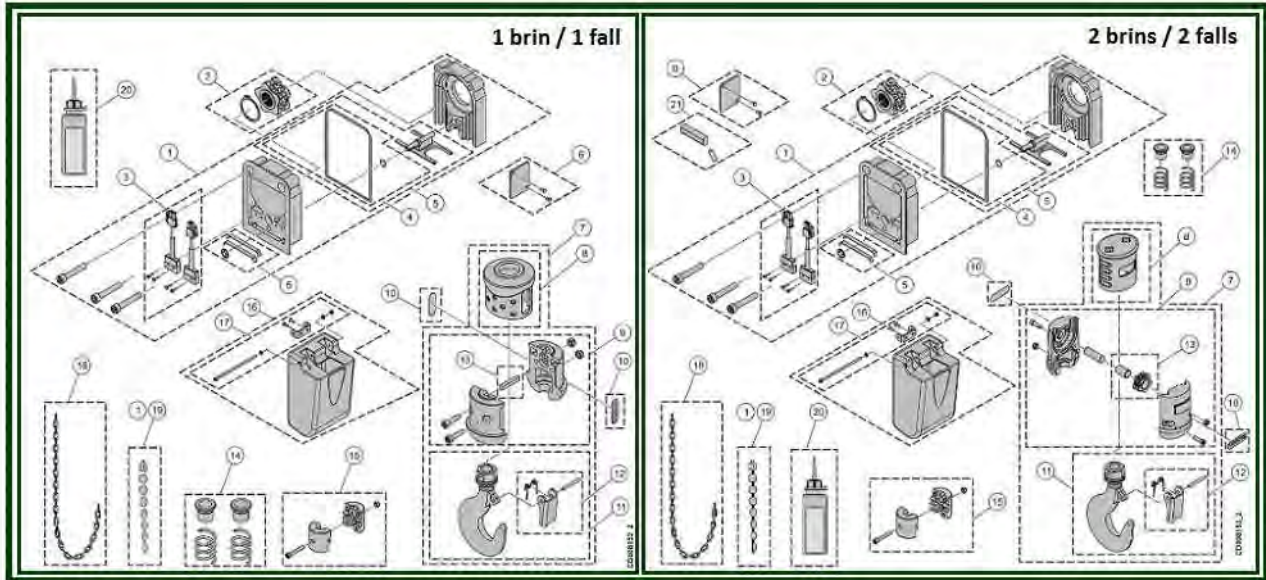
### 1.3 Electric trolley



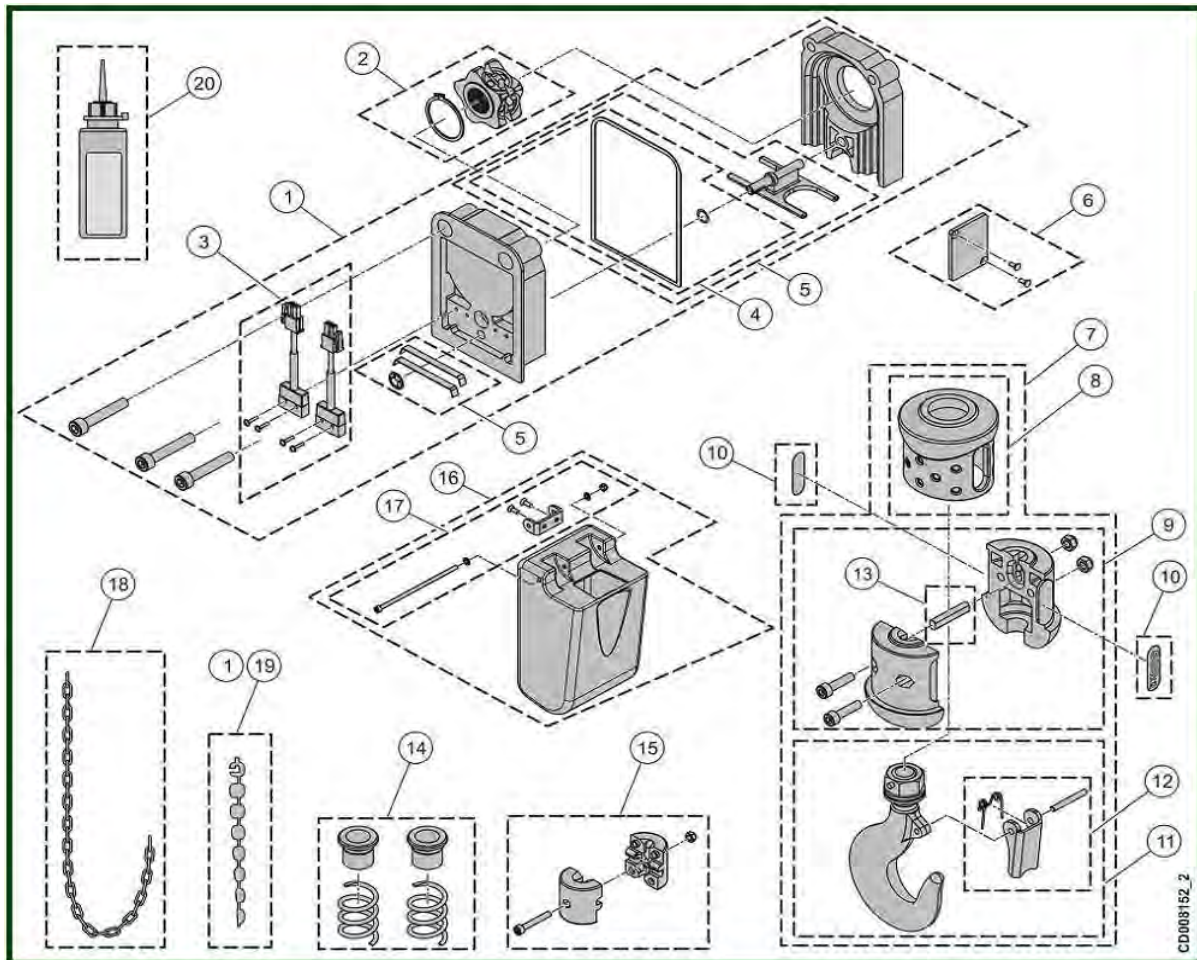
Item	Reference	Description	Observation	Quantity
1	VT0008398	Housing module	Standard	1
1	VT0008946	Housing module	Gear Limit Switch-Double brakes	1
2	VT0009308	Sealings set		1
3	VT0006911	Screws set		1
4	VT0008399	Cover	Standard	1
4	VT0008400	Cover	Gear Limit Switch	1
5	VT0008401	Cover set- Brake side	Standard + Gear Limit Switch-Double brakes	1
6	VT0008402	Cover set- Motor side	Standard	1
6	VT0008962	Cover set- Motor side	Gear Limit Switch-Double brakes	1
7	VT0008403	Counterweight		1
8	VT0008766	Coupling part	Electric trolley	1
9	VT0008405	Shaft set		1
10	VT0009407	Shaft set	Electric trolley	1
-	VT0008406	Rain cover	Standard	1
-	VT0009151	Rain cover	Gear Limit Switch-Double brakes	1
-	VT0009152	Counterweight set	Standard	1
-	VT0009153	Counterweight set	Gear Limit Switch-Double brakes	1
-	VT0006026	Identification plate	Serial number request	1



## 2. CHAIN GUIDE



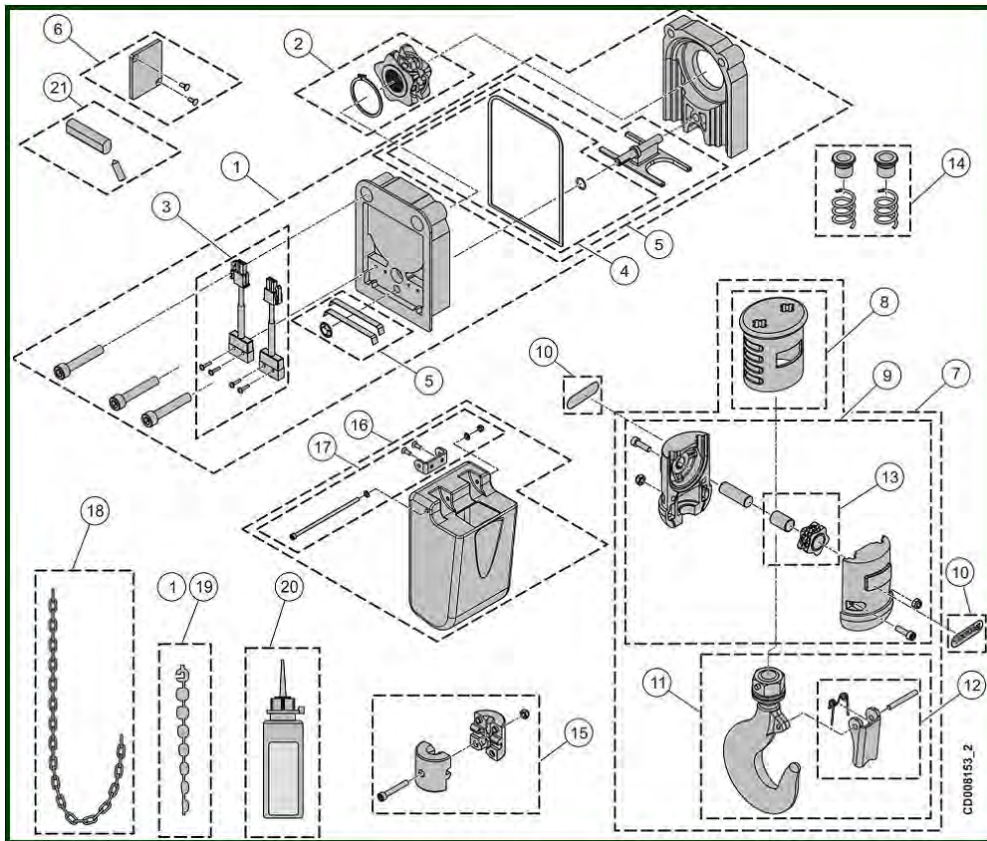
## 2.1 Chain 5x14 - 1 fall



### Chain 5x14 - 1 fall

Item	Reference	Description	Observation	Quantity
1	VT0004875	Chain guide- Chain 5x14	Inverted version	1
2	VT0005106	Chain sprocket		1
3	VT0004876	Switch set		1
4	VT0004871	Sealing set		1
5	VT0004872	Limit switch activator		1
6	VT0008483	End cap	Chain guide- L40x34T8	1
7	VT0008562	Complete hook - 1fall	DH-Standard hook	1
8	VT0008484	Rubber chain stop		1
9	VT0004873	Half casing set	Standard hook	1
10	VT0006340	Set of 10 stickers load	250 Kg	1
10	VT0006341	Set of 10 stickers load	320 Kg	1
10	VT0006041	Set of 10 stickers load	500 Kg	1
10	VT0006342	Set of 10 stickers load	630 Kg	1
11	VT0004975	Standard hook		1
12	VT0005901	Standard safety latch		1
13	VT0006240	Shaft		1
14	VT0008838	Springs set		1
15	VT0004877	Chain stop		1
16	VT0008832	Chain bucket	6 m for 5x14 10 m for 4x11	1
16	VT0008834	Chain bucket	16 m for 5x14	1
16	VT0008835	Chain bucket	25 m for 5x14 40 m for 4x11	1
17	VT0008833	Fixing set of chain bucket	L166 H28 T4	1
18	VT0005109	Galvanized standard chain - 5x14		1
19	VT0005574	Chain fitting tool		1
20	VT0006025	Oil can		1

## 2.2 Chain 5x14 - 2 falls

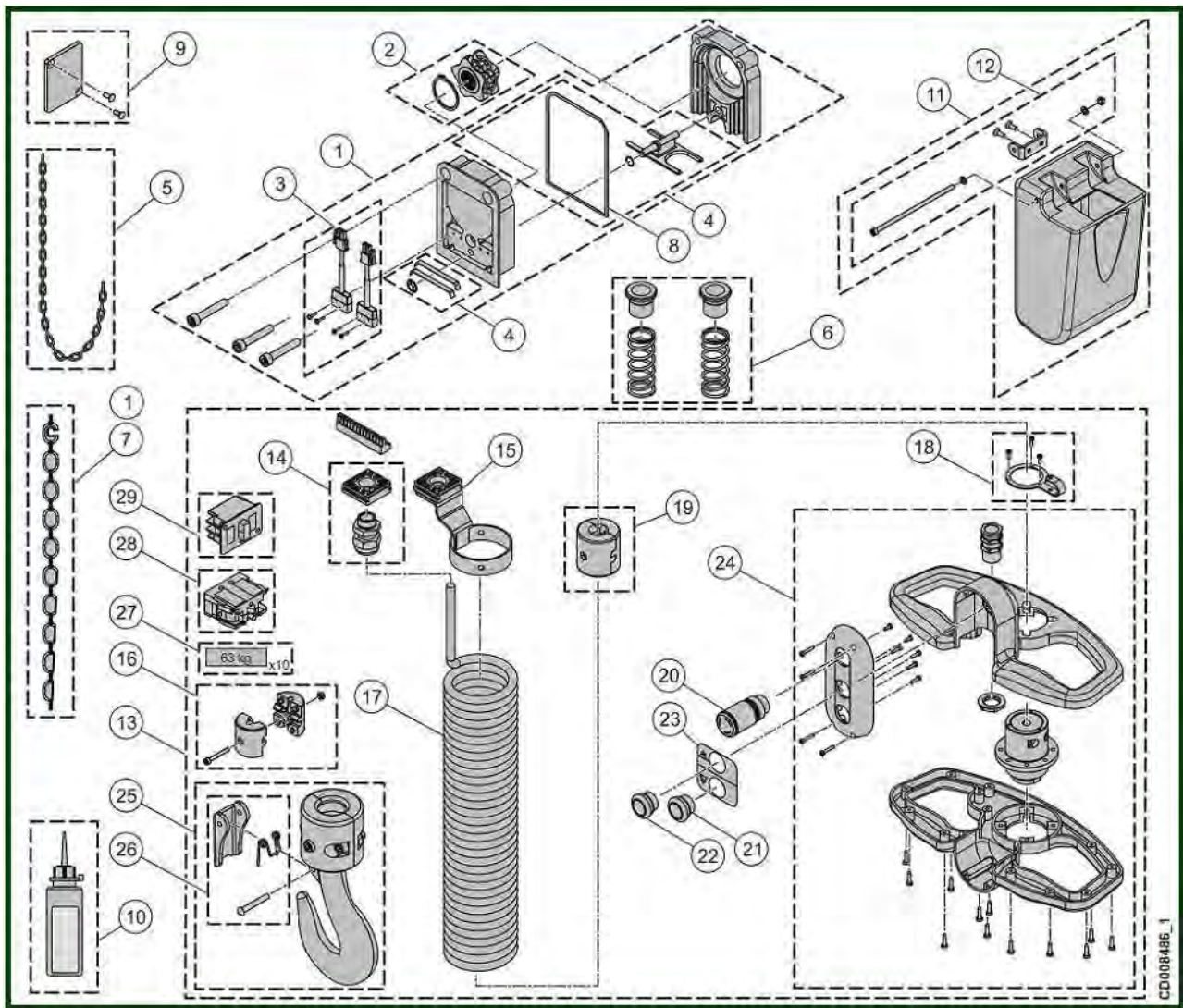


## Chain 5x14 - 2 falls

Item	Reference	Description	Observation	Quantity
1	VT0004875	Chain guide- Chain 5x14	Inverted version	1
2	VT0005106	Chain sprocket		1
3	VT0004876	Switch set		1
4	VT0004871	Sealing set		1
5	VT0004872	Limit switch activator		1
6	VT0008483	End cap	Chain guide- L40x34T8	1
7	VT0008567	Complete hook- 2 falls	RSN05 Standard hook + Standard hook block	1
8	VT0008568	Rubber chain stop		1
9	VT0008624	Half casing set	Standard hook + Standard hook block	1
10	VT0008944	Set of 10 stickers load - Hoist	500 Kg	1
10	VT0008945	Set of 10 stickers load - Hoist	1000 Kg	1
11	VT0005861	Standard hook		1
12	VT0005903	Safety latch	Rotary hook- 1 fall	1
13	VT0008659	Return sprocket		1
14	VT0008838	Springs set		1
15	VT0004877	Chain stop		1
16	VT0008832	Chain bucket	6 m for 5x14 10 m for 4x11	1
16	VT0008834	Chain bucket	16 m for 5x14	1
16	VT0008835	Chain bucket	25 m for 5x14 40 m for 4x11	1
17	VT0008833	Fixing set of chain bucket	L166 H28 T4	1
18	VT0006343	Stainless steel chain- 5x14		1
18	VT0005109	Galvanized standard chain- 5x14		1
19	VT0005574	Chain fitting tool		1
20	VT0006025	Oil can		1
21	VT0008662	Fixing module		1



### 2.3 Standard hook RSN – Digichain

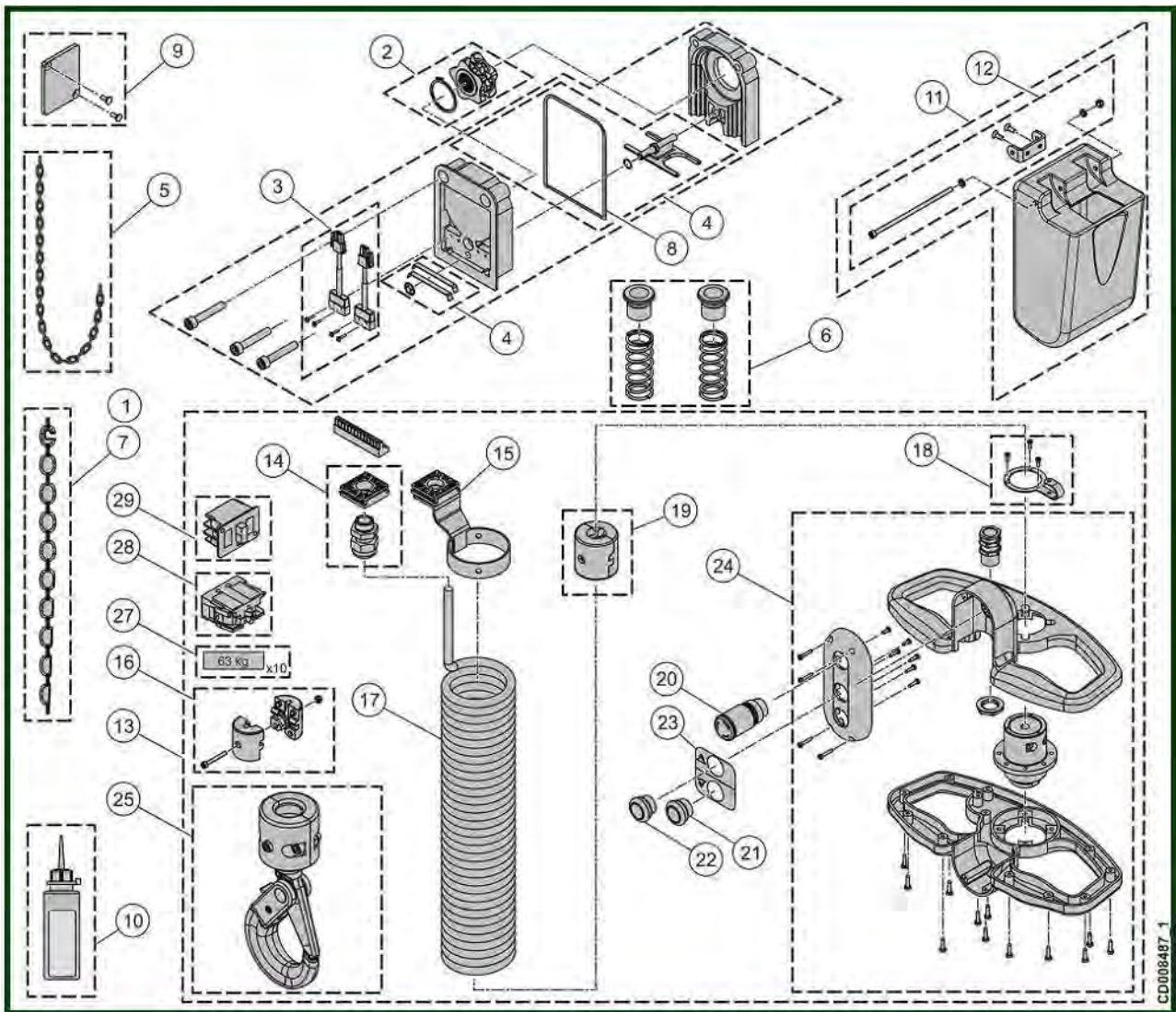


## Standard hook RSN – Digichain

Item	Reference	Description	Observation	Quantity
1	VT0004875	Chain guide- Chain 5x14	Inverted version	1
2	VT0005106	Chain sprocket		1
3	VT0004876	Switch set		1
4	VT0004872	Limit switch activator		1
5	VT0006343	Stainless steel chain- 5x14		1
5	VT0005109	Galvanized standard chain- 5x14		1
6	VT0008838	Springs set		1
7	VT0005574	Chain fitting tool		1
8	VT0006272	Sealing	L102,5W76,5T0,5	1
9	VT0008483	End cap	Chain guide- L40x34T8	1
10	VT0006025	Oil can		1
11	VT0008832	Chain bucket	6 m for 5x14 10 m for 4x11	1
11	VT0008834	Chain bucket	16 m for 5x14	1
11	VT0008835	Chain bucket	25 m for 5x14 40 m for 4x11	1
12	VT0008833	Fixing set of chain bucket	L166 H28 T4	1
13	VT0009228	Control unit DIGICHAIN	3m - Standard hook	1
13	VT0009230	Control unit DIGICHAIN	5m - Standard hook	1
14	VT0006393	Cable gland set Square cable entry	CG M20- ISO 20 Trolley-Power supply	1
15	VT0009232	Fixing set		1
16	VT0009233	Chain stop	L32W32H81.5	1
17	VT0009205	Spiral cable	Lg 3m	1
17	VT0009206	Spiral cable	Lg 5m	1
18	VT0008839	Fixing plate		1
19	VT0009207	Fixing module	D35H45	1
20	VT0006548	Emergency push button		1
21	VT0009208	White button	XACA9411	1
22	VT0009209	Push button	XACA9412	1
23	VT0009210	Up & down sticker	CCGCPBPB-00	1
24	VT0009211	Pendant box module	CC05PBPB-01	1
25	VT0009014	Standard hook	RSN020T-HCH	1
26	VT0004968	Standard safety latch	Single brake- Standard hook 0,12T-0,25T	1

27	VT0009164	Set of 10 stickers load	63 kg	1
27	VT0009165	Set of 10 stickers load	80 kg	1
27	VT0009166	Set of 10 stickers load	125 kg	1
27	VT0009167	Set of 10 stickers load	160 kg	1
27	VT0009168	Set of 10 stickers load	250 kg	1
27	VT0009169	Set of 10 stickers load	320 kg	1
27	VT0009170	Set of 10 stickers load	500 kg	1
28	VT0009212	Contact block	XAC-S 414	1
29	VT0007879	Contact block	XENG1191	1

## 2.4 Automatic hook– Digichain



## Automatic hook– Digichain

Item	Reference	Description	Observation	Quantity
1	VT0004875	Chain guide- Chain 5x14	Inverted version	1
2	VT0005106	Chain sprocket		1
3	VT0004876	Switch set		1
4	VT0004872	Limit switch activator		1
5	VT0006343	Stainless steel chain- 5x14		1
5	VT0005109	Galvanized standard chain- 5x14		1
6	VT0008838	Springs set		1
7	VT0005574	Chain fitting tool		1
8	VT0006272	Sealing	L102,5W76,5T0,5	1
9	VT0008483	End cap	Chain guide- L40x34T8	1
10	VT0006025	Oil can		1
11	VT0008832	Chain bucket	6 m for 5x14 10 m for 4x11	1
11	VT0008834	Chain bucket	16 m for 5x14	1
11	VT0008835	Chain bucket	25 m for 5x14 40 m for 4x11	1
12	VT0008833	Fixing set of chain bucket	L166 H28 T4	1
13	VT0009229	Control unit - DIGICHAIN	3m - Automatic hook	1
13	VT0009231	Control unit - DIGICHAIN	5m - Automatic hook	1
14	VT0006393	Cable gland set Square cable entry	CG M20- ISO 20 Trolley-Power supply	1
15	VT0009232	Fixing set		1
16	VT0009233	Chain stop	L32W32H81.5	1
17	VT0009205	Spiral cable	Lg 3m	1
17	VT0009206	Spiral cable	Lg 5m	1
18	VT0008839	Fixing plate		1
19	VT0009207	Fixing module	D35H45	1
20	VT0006548	Emergency push button		1
21	VT0009208	White button	XACA9411	1
22	VT0009209	Push button	XACA9412	1
23	VT0009210	Up & down sticker	CCGCPBPB-00	1
24	VT0009211	Pendant box module	CC05PBPB-01	1
25	VT0009227	Hook	HCH - Automatic	1

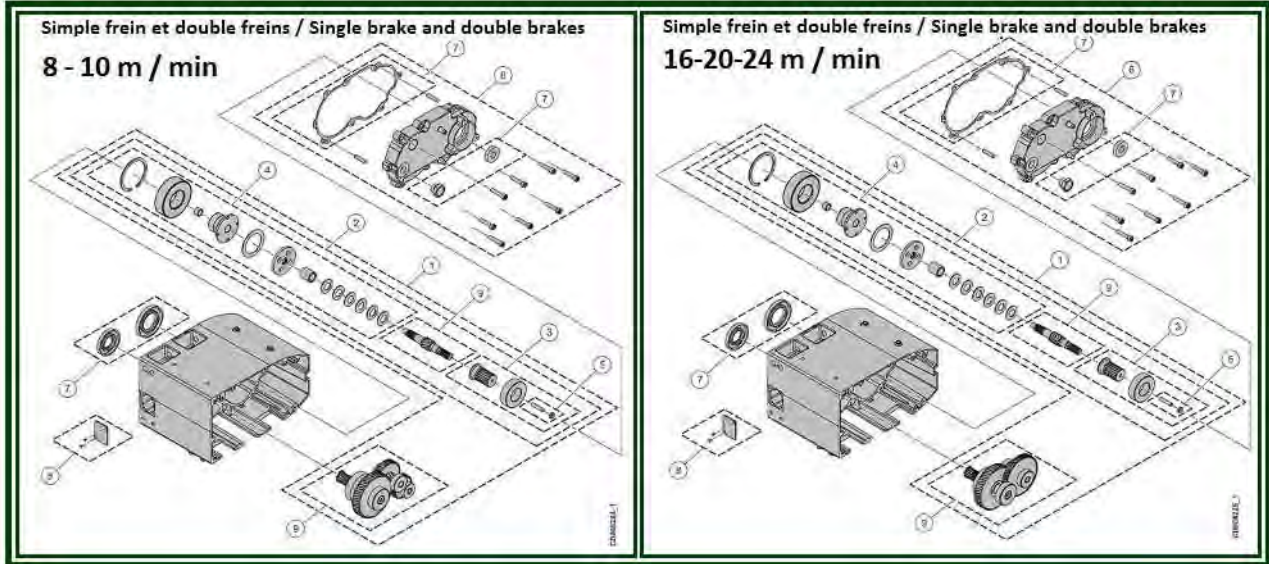


27	VT0009164	Set of 10 stickers load	63 kg	1
27	VT0009165	Set of 10 stickers load	80 kg	1
27	VT0009166	Set of 10 stickers load	125 kg	1
27	VT0009167	Set of 10 stickers load	160 kg	1
27	VT0009168	Set of 10 stickers load	250 kg	1
27	VT0009169	Set of 10 stickers load	320 kg	1
27	VT0009170	Set of 10 stickers load	500 kg	1
28	VT0009212	Contact block	XAC-S 414	1
29	VT0007879	Contact block	XENG1191	1

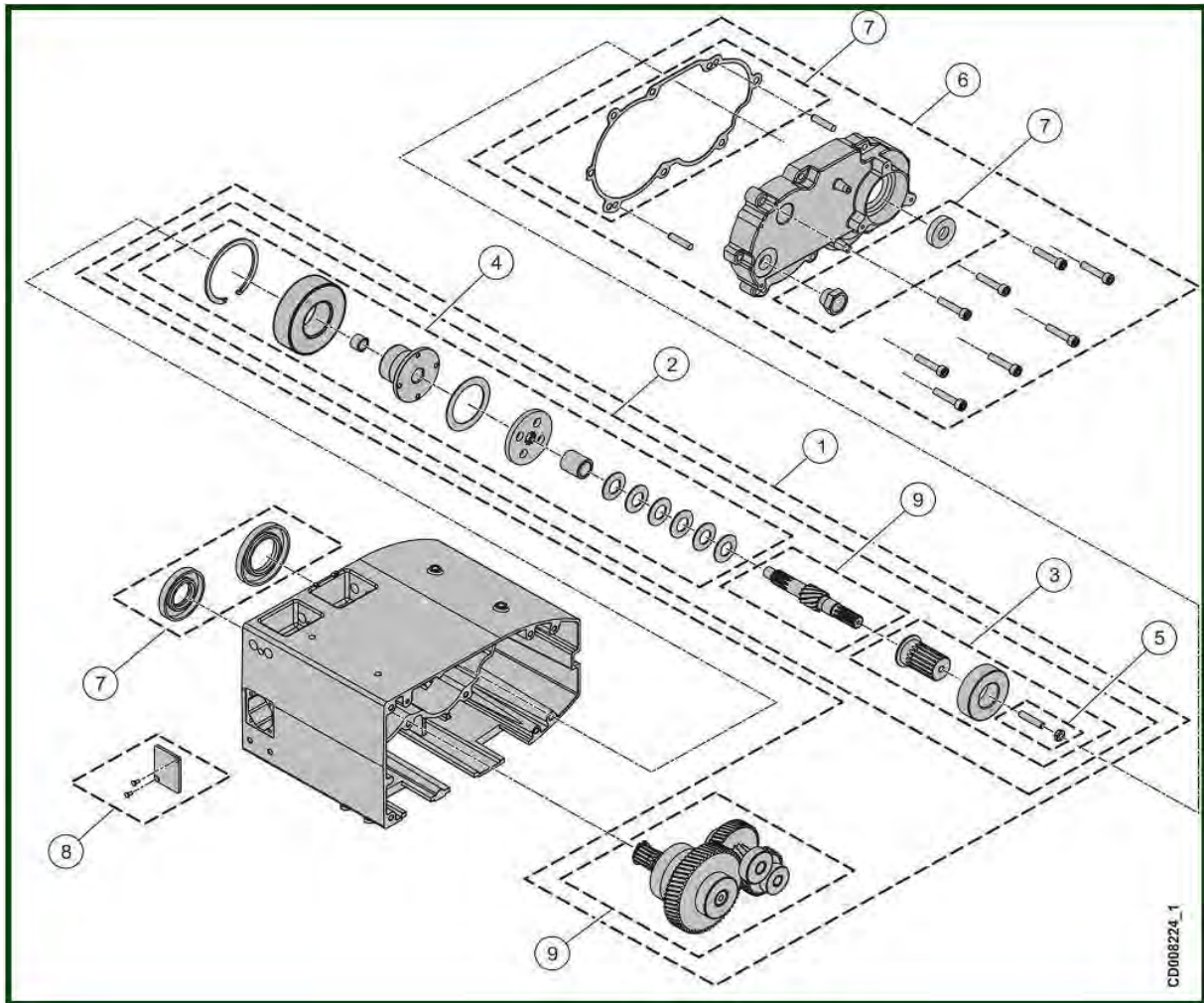
## 2.5 Precut chain

Item	Reference	Description	Observation	Quantity
	53020218	Galvanized load chain - 5x14	3,5 m	1
	53020220	Galvanized load chain - 5x14	5 m	1
	53020221	Galvanized load chain - 5x14	10 m	1

### 3. GEAR

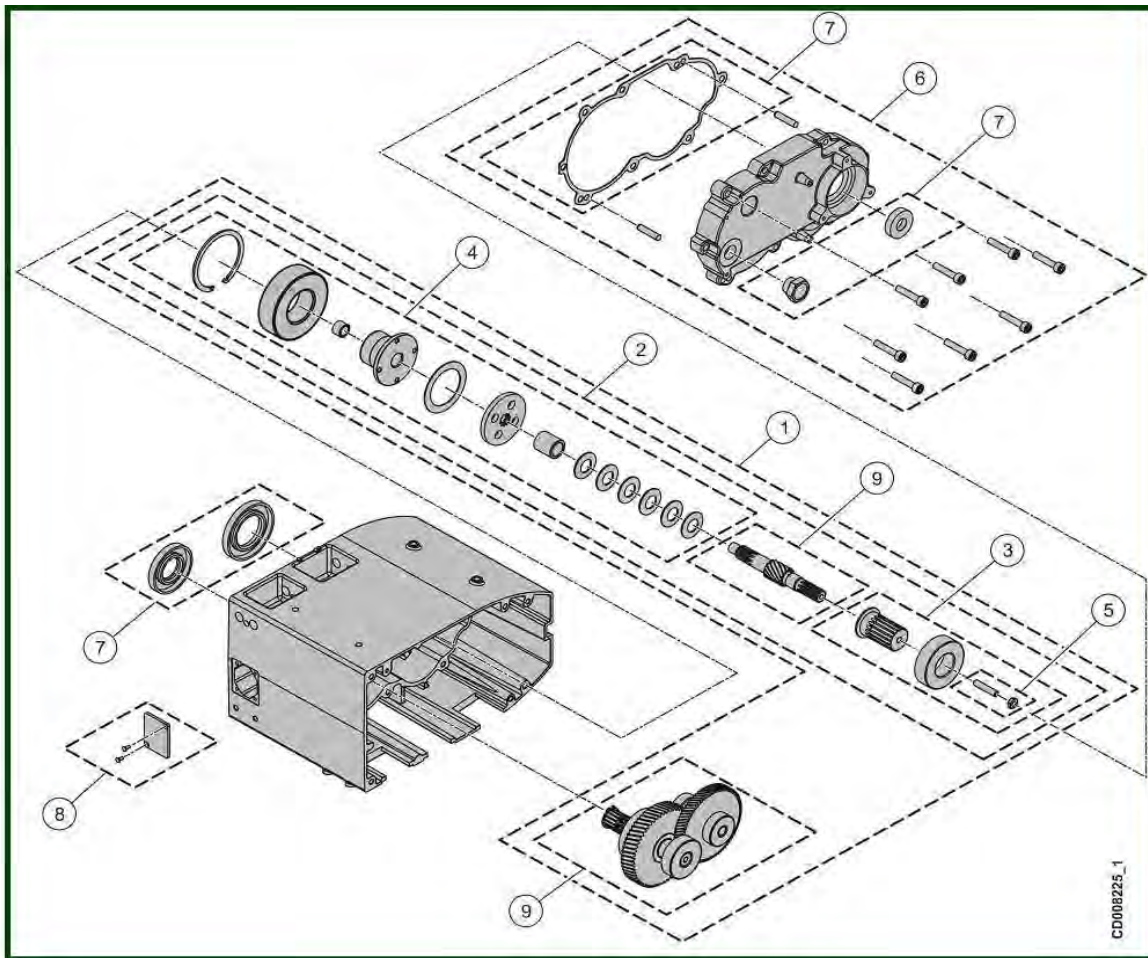


### 3.1 Single brake - 8 -10 m / min



Item	Reference	Description	Observation	Quantity
1	VT0008677	Gear pinion set	8m/min	1
1	VT0008678	Gear pinion set	10m/min	1
2	VT0008673	Gear shaft with clutch	Single brake	1
3	VT0004886	Coupling - Brake side		1
4	VT0008672	Clutch with retaining ring		1
5	VT0006107	Screws set		1
6	VT0009408	Gear Housing set		1
7	VT0009325	Sealing set		1
8	VT0008483	End cap	Chain guide - L40x34T8	1
9	VT0004883	Gear assembly	8 m / min	1
9	VT0004884	Gear assembly	10 m / min	1

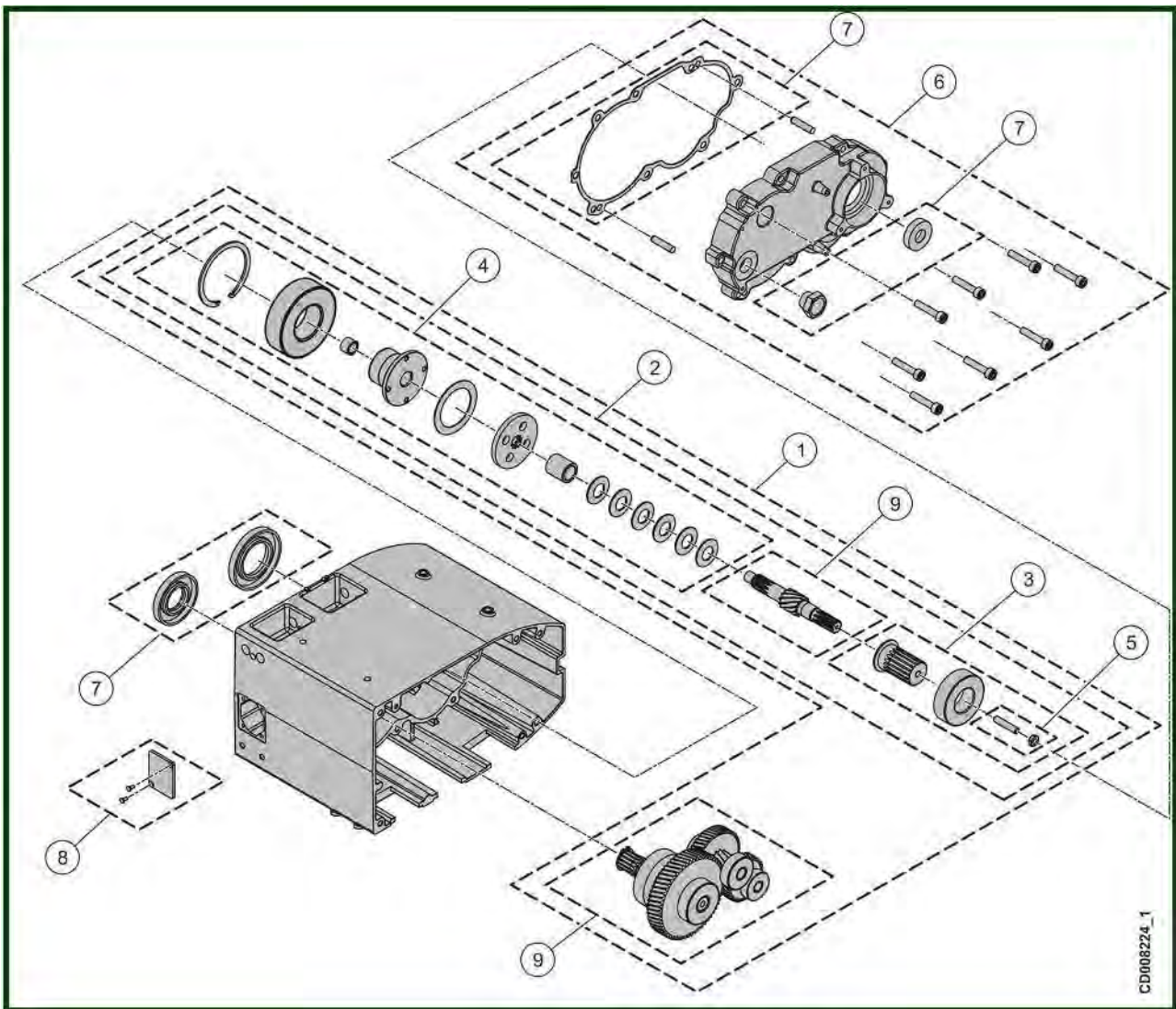
### 3.2 Single brake- 16-20-24 m / min



Item	Reference	Description	Observation	Quantity
1	VT0008679	Gear pinion set	16 m / min	1
1	VT0008680	Gear pinion set	20 m / min	1
1	VT0008681	Gear pinion set	24 m / min	1
2	VT0008674	Gear shaft with clutch	16 m / min + 20 m / min + 24 m / min	1
3	VT0004886	Coupling - Brake side		1
4	VT0008672	Clutch with retaining ring		1
5	VT0006107	Screws set		1
6	VT0009408	Gear Housing set		1
7	VT0009325	Sealing set		1
8	VT0008483	End cap	Chain guide- L40x34T8	1
9	VT0005310	Gear assembly	16 m / min	1
9	VT0005311	Gear assembly	20 m / min	1
9	VT0006461	Gear assembly	24 m / min	1

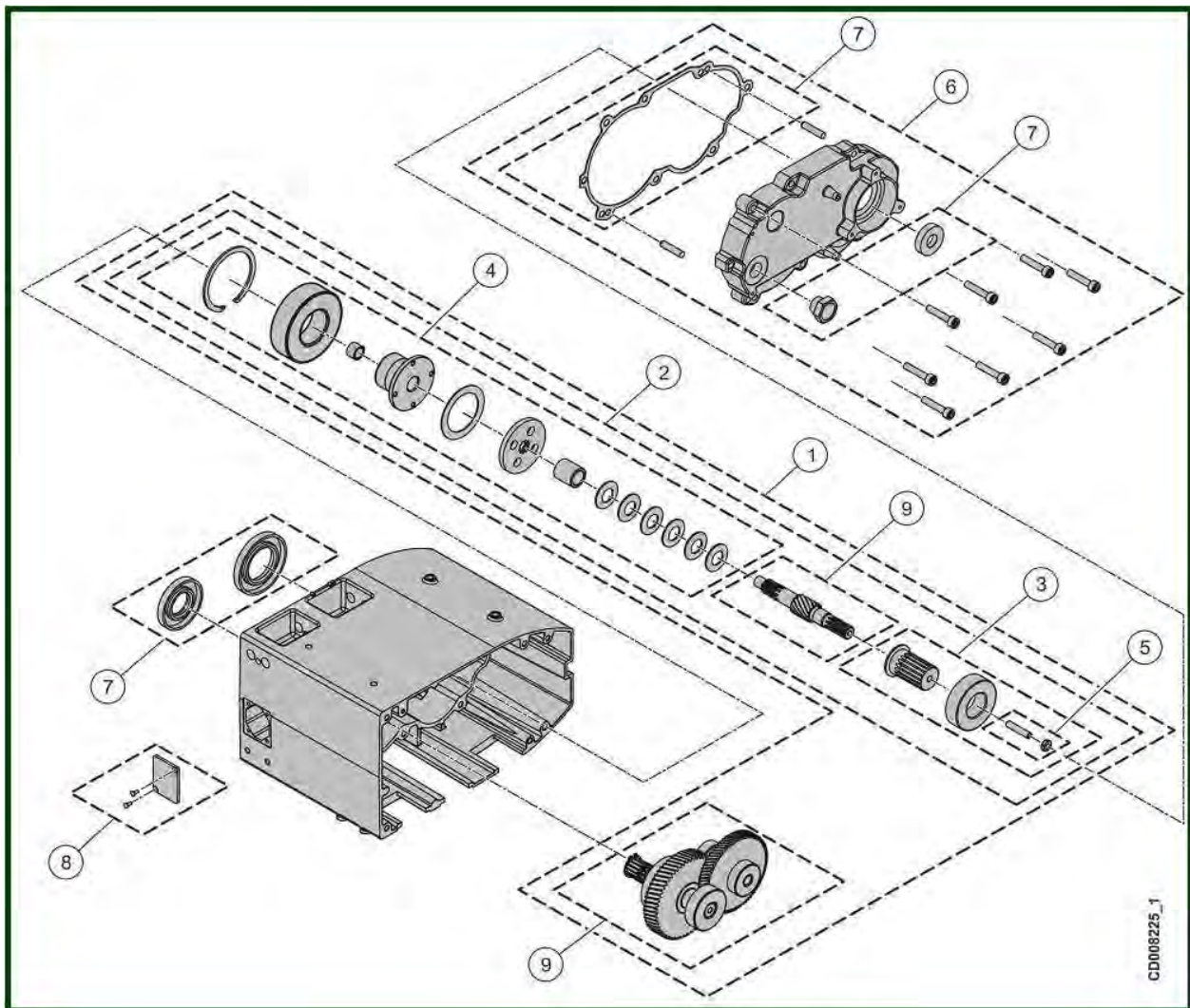


### 3.3 Double brakes - 8-10 m / min



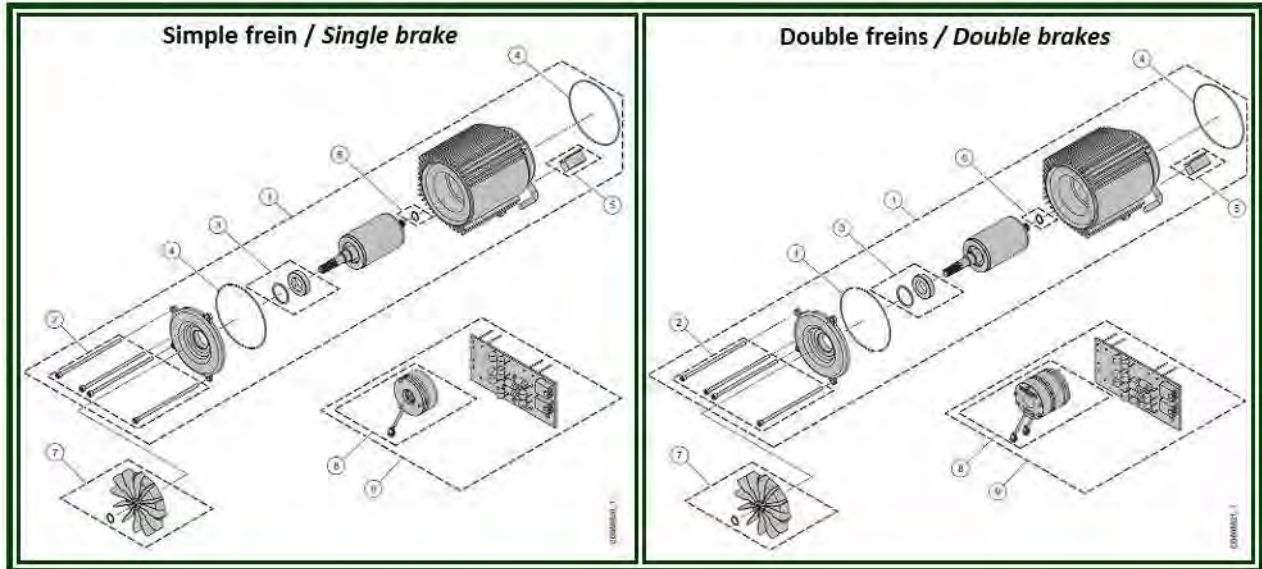
Item	Reference	Description	Observation	Quantity
1	VT0008682	Gear pinion set	8 m / min	1
1	VT0008683	Gear pinion set	10 m / min	1
2	VT0008675	Gear shaft with clutch	8 m / min + 10 m / min	1
3	VT0006504	Coupling - Brake side	Double brakes	1
4	VT0008672	Clutch with retaining ring		1
5	VT0006107	Screws set		1
6	VT0009408	Gear Housing set		1
7	VT0009325	Sealing set		1
8	VT0008483	End cap	Chain guide - L40x34T8	1
9	VT0004883	Gear assembly	8 m / min	1
9	VT0004884	Gear assembly	10 m / min	1

### 3.4 Double brakes- 16-20-24 m / min

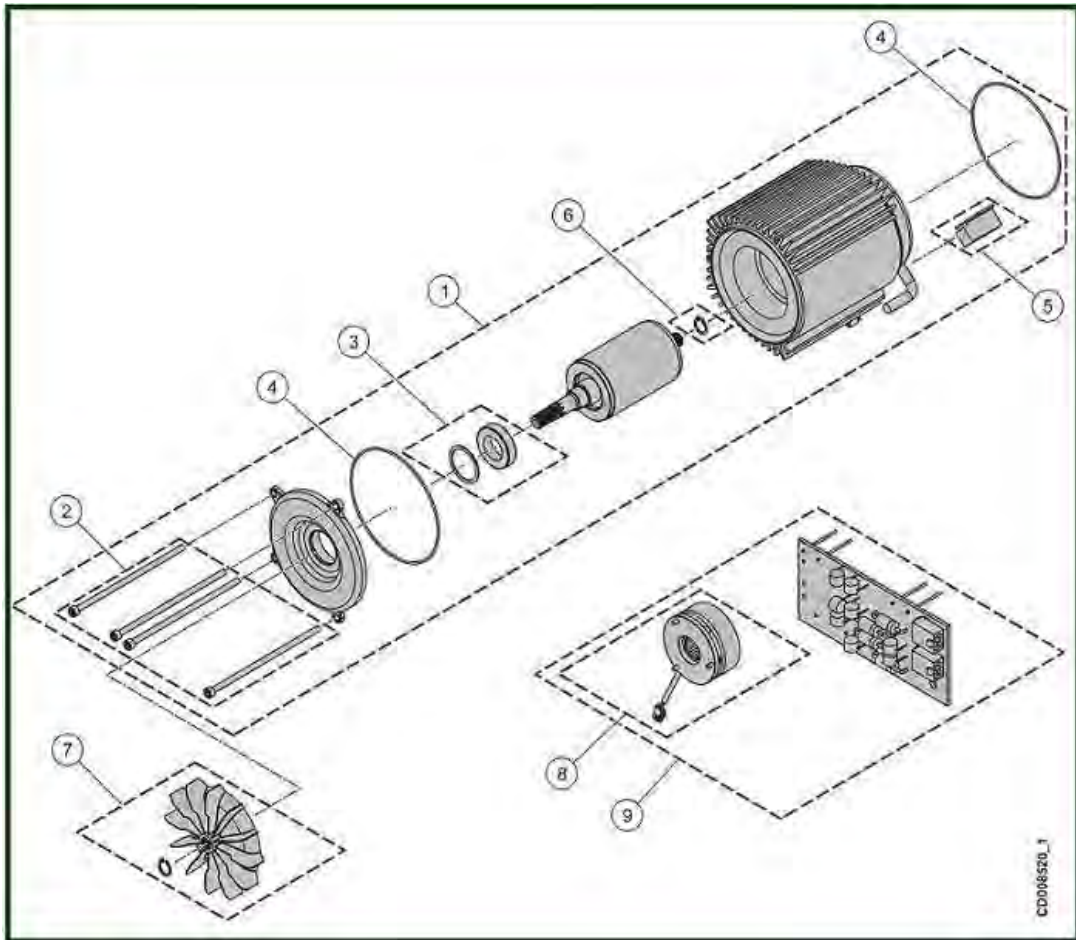


Item	Reference	Description	Observation	Quantity
1	VT0008684	Gear pinion set	16 m / min	1
1	VT0008685	Gear pinion set	20 m / min	1
1	VT0008686	Gear pinion set	24 m / min	1
2	VT0008676	Gear shaft with clutch	16 m / min + 20 m / min + 24 m / min	1
3	VT0006504	Coupling - Brake side	Double brakes	1
4	VT0008672	Clutch with retaining ring		1
5	VT0006107	Screws set		1
6	VT0009408	Gear Housing set		1
7	VT0009325	Sealing set		1
8	VT0008483	End cap	Chain guide- L40x34T8	1
9	VT0005310	Gear assembly	16 m / min	1
9	VT0005311	Gear assembly	20 m / min	1
9	VT0006461	Gear assembly	24 m / min	1

## 4. MOTOR



## 4.1 Single brake



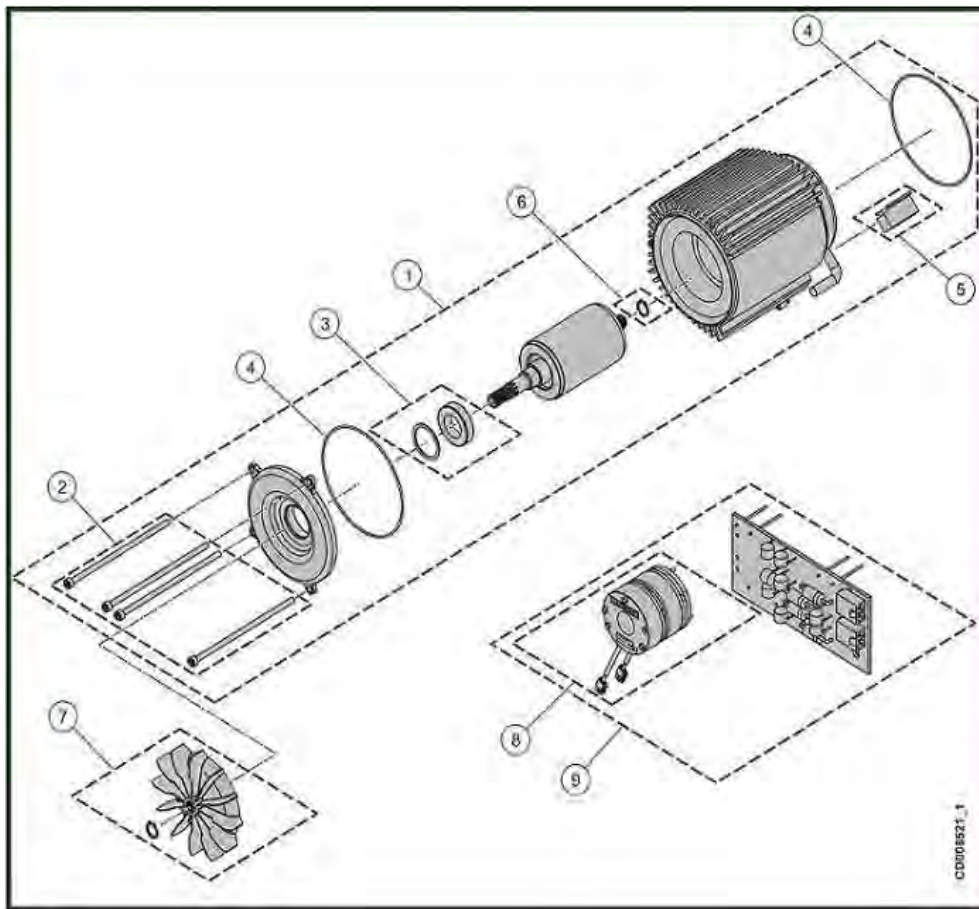


## Single brake

Item	Reference	Description	Observation	Quantity
1	VT0009175	Motor - 2 speeds	208-230V 60Hz	1
1	VT0009174	Motor - 2 speeds	220-240V 50Hz	1
1	VT0009176	Motor - 2 speeds	380-400V 60Hz	1
1	VT0009150	Motor - 2 speeds	380-415V 50Hz 440-480V 60Hz	1
1	VT0009177	Motor - 2 speeds	500-525V 50Hz 575-600V 60Hz	1
1	VT0009178	Motor - 2 speeds	660-690V 50Hz	1
1	VT0009179	Motor - 2 speeds	660-690V 60Hz	1
1	VT0009185	Motor - 2 speeds (2:6)	208-230V 60Hz	1
1	VT0009182	Motor - 2 speeds (2:6)	220-240V 50Hz	1
1	VT0009184	Motor - 2 speeds (2:6)	380-400V 60Hz	1
1	VT0009181	Motor - 2 speeds (2:6)	380-415V 50Hz 440-480V 60Hz	1
1	VT0009183	Motor - 2 speeds (2:6)	500-525V 50Hz 575-600V 60Hz	1
2	VT0008704	Screws set		1
3	VT0006569	Bearing set		1
4	VT0008705	Sealing set		1
5	VT0004976	Rubber		1
6	VT0004977	Retaining ring		1
7	VT0004891	Fan set		1
8	VT0004661	Single brake	103-230V	1
8	VT0004979	Single brake	190-400V	1
8	VT0006473	Single brake	255-500V	1
8	VT0006474	Single brake	320-690V	1
9	VT0006187	Single brake + rectifier	103V	1
9	VT0006262	Single brake + rectifier	190V	1



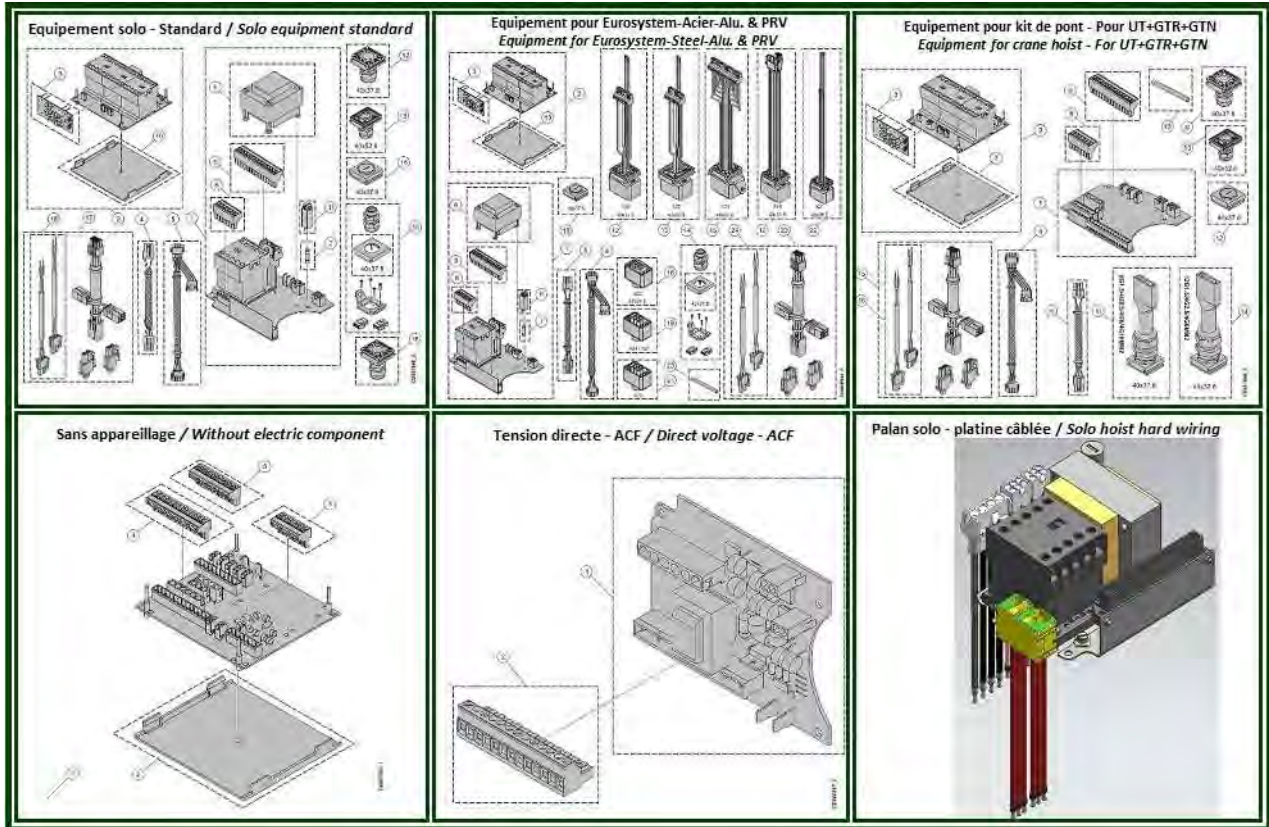
## 4.2 Double brakes



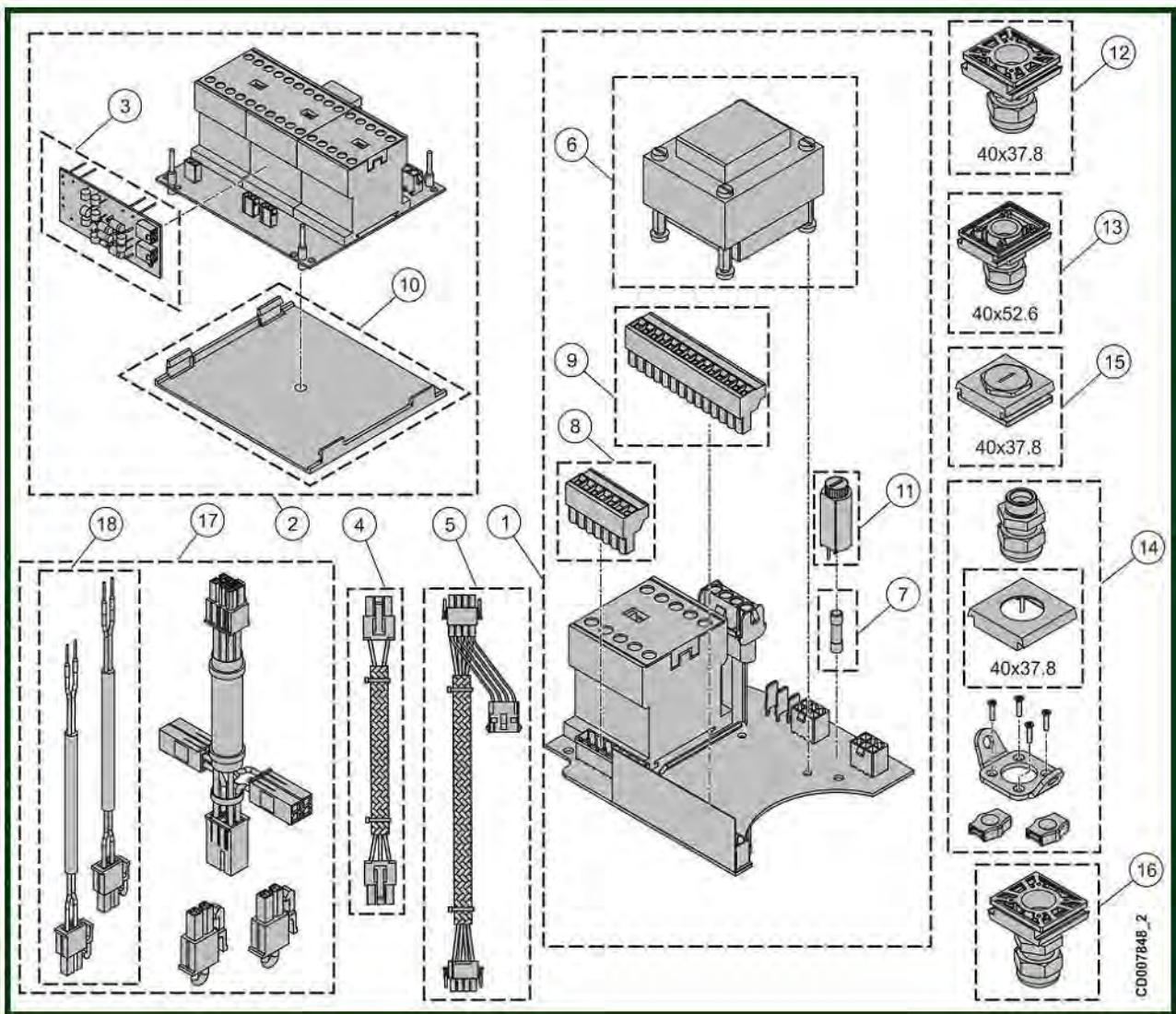
## Double brakes

Item	Reference	Description	Observation	Quantity
1	VT0009175	Motor - 2 speeds	208-230V 60Hz	1
1	VT0009174	Motor - 2 speeds	220-240V 50Hz	1
1	VT0009176	Motor - 2 speeds	380-400V 60Hz	1
1	VT0009150	Motor - 2 speeds	380-415V 50Hz 440-480V 60Hz	1
1	VT0009177	Motor - 2 speeds	500-525V 50Hz 575-600V 60Hz	1
1	VT0009178	Motor - 2 speeds	660-690V 50Hz	1
1	VT0009179	Motor - 2 speeds	660-690V 60Hz	1
1	VT0009185	Motor - 2 speeds (2:6)	208-230V 60Hz	1
1	VT0009182	Motor - 2 speeds (2:6)	220-240V 50Hz	1
1	VT0009184	Motor - 2 speeds (2:6)	380-400V 60Hz	1
1	VT0009181	Motor - 2 speeds (2:6)	380-415V 50Hz 440-480V 60Hz	1
1	VT0009183	Motor - 2 speeds (2:6)	500-525V 50Hz 575-600V 60Hz	1
2	VT0008704	Screws set		1
3	VT0006569	Bearing set		1
4	VT0008705	Sealing set		1
5	VT0004976	Rubber		1
6	VT0004977	Retaining ring		1
7	VT0004891	Fan set		1
8	VT0006259	Double brakes	103-230V	1
8	VT0006258	Double brakes	190-400V	1
8	VT0006475	Double brakes	255-500V	1
8	VT0006476	Double brakes	320-690V	1
9	VT0006264	Double brakes+ rectifier	103V	1
9	VT0006263	Double brakes+ rectifier	190V	1

## 5. ELECTRICAL PARTS



### 5.1 Solo equipment – Standard



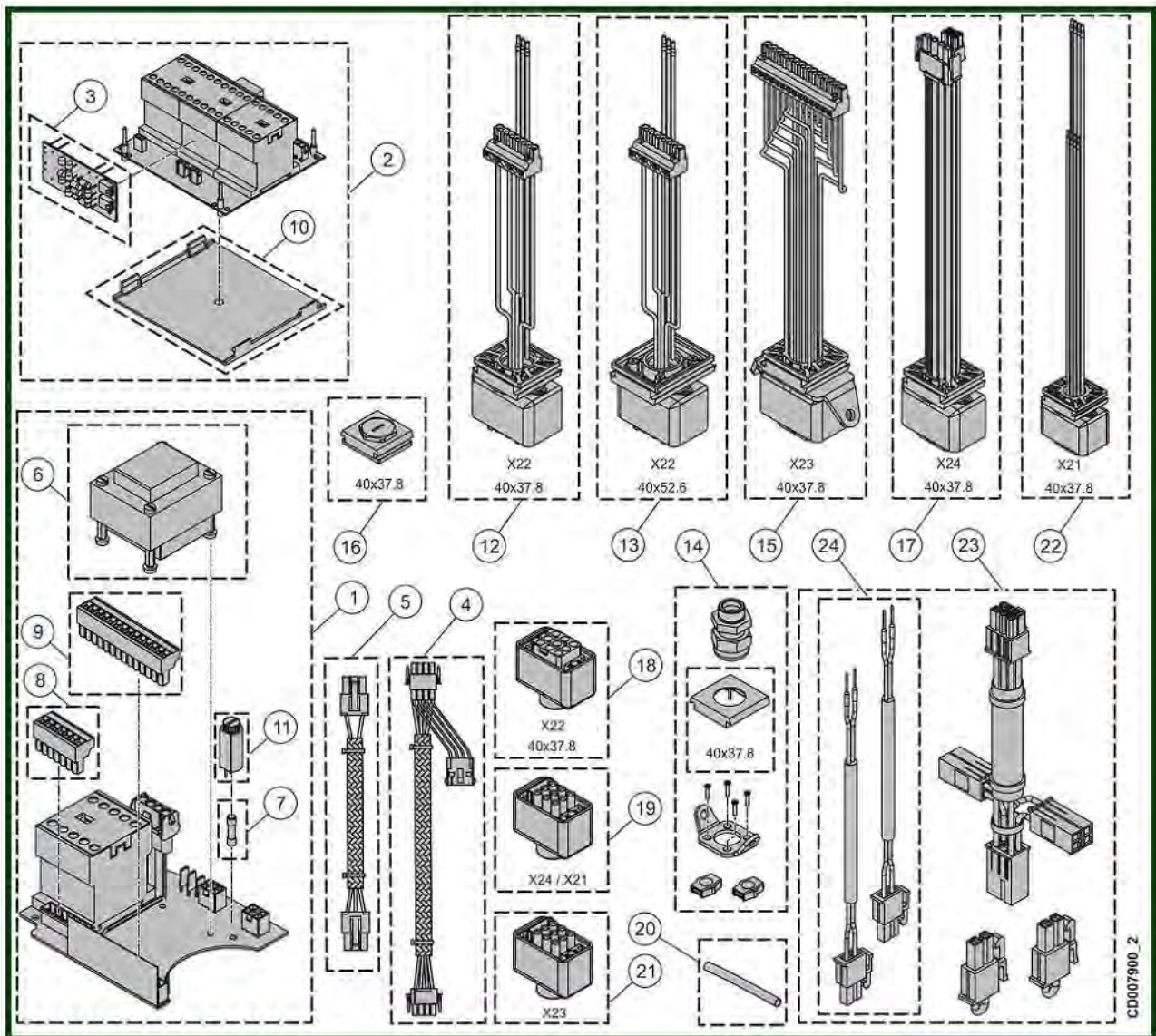
## Solo equipment – Standard

Item	Reference	Description	Observation	Quantity
1	VT0006431	Power supply PC Board - Solo hoist	208V 230V / 110V CI/PC - Standard	1
1	VT0006430	Power supply PC Board - Solo hoist	230V / 48V CI/PC - Standard	1
1	VT0004944	Power supply PC Board - Solo hoist	400V / 24V CI/PC BOARD	1
1	VT0004942	Power supply PC Board - Solo hoist	400V / 48V CI/PC BOARD	1
1	VT0005312	Power supply PC Board - Solo hoist	400V / 110V CI/PC BOARD	1
1	VT0005313	Power supply PC Board - Solo hoist	400V / 230V CI/PC BOARD	1
1	VT0006432	Power supply PC Board - Solo hoist	460V / 48V CI/PC BOARD	1
1	VT0006433	Power supply PC Board - Solo hoist	460V / 110V CI/PC BOARD	1
1	VT0006434	Power supply PC Board - Solo hoist	500V / 48V CI/PC BOARD	1
1	VT0006446	Power supply PC Board - Solo hoist	500V / 110V CI/PC BOARD	1
1	VT0006435	Power supply PC Board - Solo hoist	575V / 48V CI/PC BOARD	1
1	VT0006447	Power supply PC Board - Solo hoist	575V / 110V CI/PC BOARD	1
2	VT0005302	Electrical board 2 speeds- 1 brake	230V-690V / 24V / 50 60Hz	1
2	VT0004945	Electrical board 2 speeds- 1 brake	230V-690V / 48V / 50 60Hz	1
2	VT0005303	Electrical board 2 speeds- 1 brake	230V-690V / 110V / 50 60Hz	1
2	VT0005304	Electrical board 2 speeds- 1 brake	230V-690V/ 230V / 50 60Hz	1
2	VT0005305	Electrical board 2 speeds- 2 brakes	230V-690V / 24V /50 60Hz	1
2	VT0005306	Electrical board 2 speeds- 2 brakes	230V-690V / 48V / 50 60Hz	1
2	VT0005307	Electrical board 2 speeds- 2 brakes	230V-690V / 50-60Hz	1
2	VT0005308	Electrical board 2 speeds- 2 brakes	230V-690V/ 230V / 50 60Hz	1
3	VT0004946	Rectifier - 1 brake	230V-690V	1
3	VT0004947	Rectifier - 2 brakes	230V-690V	1
3	VT0004948	Rectifier reconnectable	208V-690V	1
4	VT0004949	Wire harness - Plug control voltage		1
5	VT0004950	Wire harness - Plug power voltage		1
6	VT0006439	Transformer	208V 230V / 115V	1
6	VT0006325	Transformer	230V / 48V	1
6	VT0004952	Transformer	400V / 24V	1
6	VT0004953	Transformer	400V / 48V - 50/60Hz	1
6	VT0004951	Transformer	400V / 115V - 50/60Hz	1
6	VT0004954	Transformer	400V / 230V	1



6	VT0006437	Transformer	460V / 48V	1
6	VT0006440	Transformer	460V / 110V 50/60Hz	1
6	VT0006436	Transformer	500V / 48V	1
6	VT0006438	Transformer	575V / 48V	1
6	VT0008540	Transformer	575V / 110V	1
7	VT0004915	Set of 10 fuses	48V	1
7	VT0004955	Set of 10 fuses	115V	1
7	VT0008541	Set of 10 fuses	230V	1
8	VT0005107	Connector	4P	1
9	VT0005108	Connector	14P	1
10	VT0006441	Insulation plate		1
11	VT0006191	Fuses base		1
12	VT0006393	Cable gland set Square cable entry	CG M20- ISO 20 Trolley-Power supply	1
13	VT0005089	Cable gland set Square rectangular entry	Power supply - Only VR2 ISO 20	1
14	VT0005090	Cable gland set Square cable entry	Push button	1
15	VT0006089	End cap Square cable entry		1
16	VT0006326	Cable gland set Square cable entry	Flat cable4G2.5	1
17	VT0008551	Set of connection GLS	MS +GLS	1
18	VT0008550	Cable for FDC	Quantity : 2 for 2 Cames or 4 for 4 Cames	1
-	VT0006967	Time counter		1

## 5.2 Equipment for Eurosystem steel & Alu. & PRV

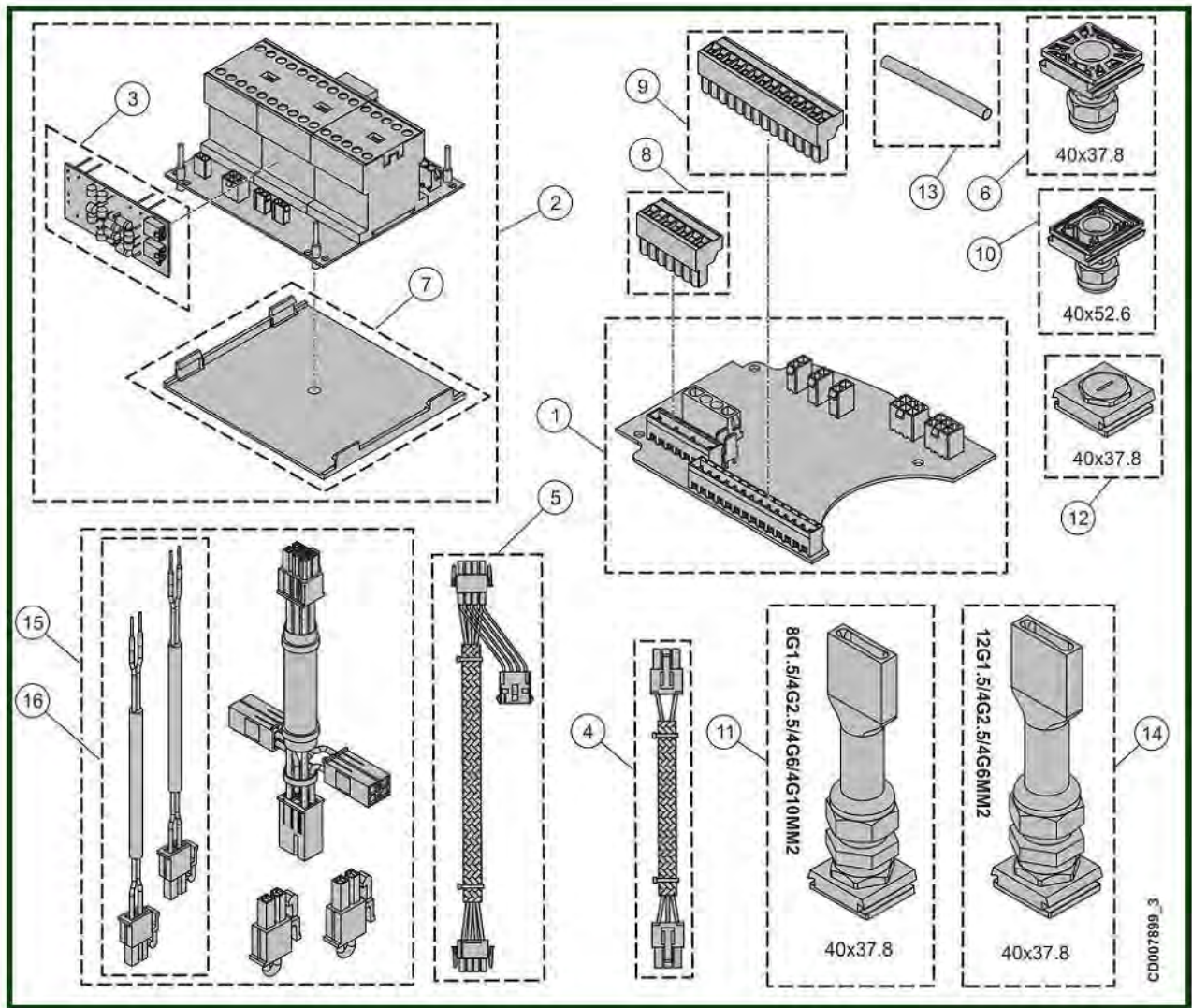


## Equipment for Eurosystem steel & Alu. & PRV

Item	Reference	Description	Observation	Quantity
1	VT0006431	Power supply PC Board - Solo hoist	208V 230V / 110V CI/PC - Standard	1
1	VT0006430	Power supply PC Board - Solo hoist	230V / 48V CI/PC - Standard	1
1	VT0004944	Power supply PC Board - Solo hoist	400V / 24V CI/PC BOARD	1
1	VT0004942	Power supply PC Board - Solo hoist	400V / 48V CI/PC BOARD	1
1	VT0005312	Power supply PC Board - Solo hoist	400V / 110V CI/PC BOARD	1
1	VT0005313	Power supply PC Board - Solo hoist	400V / 230V CI/PC BOARD	1
1	VT0006432	Power supply PC Board - Solo hoist	460V / 48V CI/PC BOARD	1
1	VT0006433	Power supply PC Board - Solo hoist	460V / 110V CI/PC BOARD	1
1	VT0006434	Power supply PC Board - Solo hoist	500V / 48V CI/PC BOARD	1
1	VT0006446	Power supply PC Board - Solo hoist	500V / 110V CI/PC BOARD	1
1	VT0006435	Power supply PC Board - Solo hoist	575V / 48V CI/PC BOARD	1
1	VT0006447	Power supply PC Board - Solo hoist	575V / 110V CI/PC BOARD	1
2	VT0005302	Electrical board 2 speeds- 1 brake	230V-690V / 24V / 50 60Hz	1
2	VT0004945	Electrical board 2 speeds- 1 brake	230V-690V / 48V / 50 60Hz	1
2	VT0005303	Electrical board 2 speeds- 1 brake	230V-690V / 110V / 50 60Hz	1
2	VT0005304	Electrical board 2 speeds- 1 brake	230V-690V/ 230V / 50 60Hz	1
2	VT0005305	Electrical board 2 speeds- 2 brakes	230V-690V / 24V /50 60Hz	1
2	VT0005306	Electrical board 2 speeds- 2 brakes	230V-690V / 48V / 50 60Hz	1
2	VT0005307	Electrical board 2 speeds- 2 brakes	230V-690V / 50-60Hz	1
2	VT0005308	Electrical board 2 speeds- 2 brakes	230V-690V/ 230V / 50 60Hz	1
3	VT0004946	Rectifier - 1 brake	230V-690V	1
3	VT0004947	Rectifier - 2 brakes	230V-690V	1
4	VT0004949	Wire harness - Plug control voltage		1
5	VT0004950	Wire harness - Plug power voltage		1
6	VT0006439	Transformer	208V 230V / 115V	1
6	VT0006325	Transformer	230V / 48V	1
6	VT0004952	Transformer	400V / 24V	1
6	VT0004953	Transformer	400V / 48V - 50/60Hz	1
6	VT0004951	Transformer	400V / 115V - 50/60Hz	1
6	VT0004954	Transformer	400V / 230V	1
6	VT0006437	Transformer	460V / 48V	1
6	VT0006440	Transformer	460V / 110V 50/60Hz	1
6	VT0006436	Transformer	500V / 48V	1
6	VT0006438	Transformer	575V / 48V	1
6	VT0008540	Transformer	575V / 110V	1

7	VT0004915	Set of 10 fuses	48V	1
7	VT0004955	Set of 10 fuses	115V	1
7	VT0008541	Set of 10 fuses	230V	1
8	VT0005107	Connector	4P	1
9	VT0005108	Connector	14P	1
10	VT0006441	Insulation plate		1
11	VT0006191	Fuses base		1
12	VT0007798	Power supply connector Square cable entry	X22 – Hoist side	1
13	VT0007574	Power supply connector Rectangular cable entry	X22 - Hoist side Only VR2	1
14	VT0005090	Cable gland set Square cable entry	Push button	1
15	VT0007224	Push button connector set	X23 Hoist side Movable push button only	1
16	VT0006089	End cap Square cable entry		1
17	VT0006971	Power supply connector set- Trolley	X24 - Hoist side	1
18	VT0007804	Power supply connector set- Power supply	X22 - Flat cable side	1
19	VT0007805	Power supply connector set- Trolley	X24 - Flat cable side	1
20	VT0007781	Head shrinkable tube		1
21	VT0007806	Power supply connector set	X23 Push button Side Movable push button only	1
22	VT0008135	Crane cubicle connector set	X21 Hoist side	1
23	VT0008551	Set of connection GLS FDC	FDC MS +GLS	1
24	VT0008550	Cable for FDC	Quantity : 2 for 2 Cames ou 4 for 4 Cames	1
-	VT0006967	Time counter		1

### 5.3 Equipment for crane kit - For UT+GTR+GTN

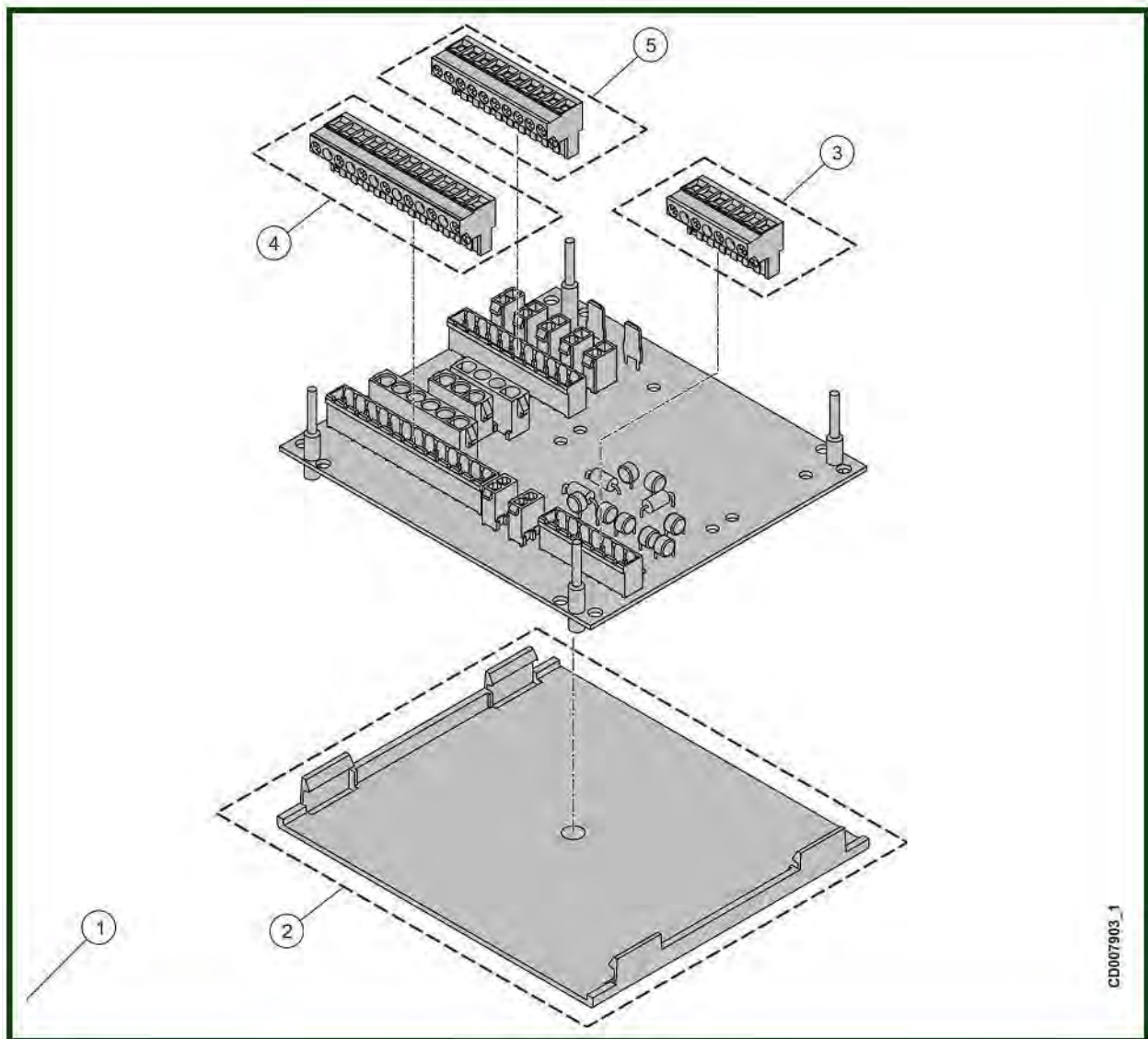




### Equipment for crane kit - For UT+GTR+GTN

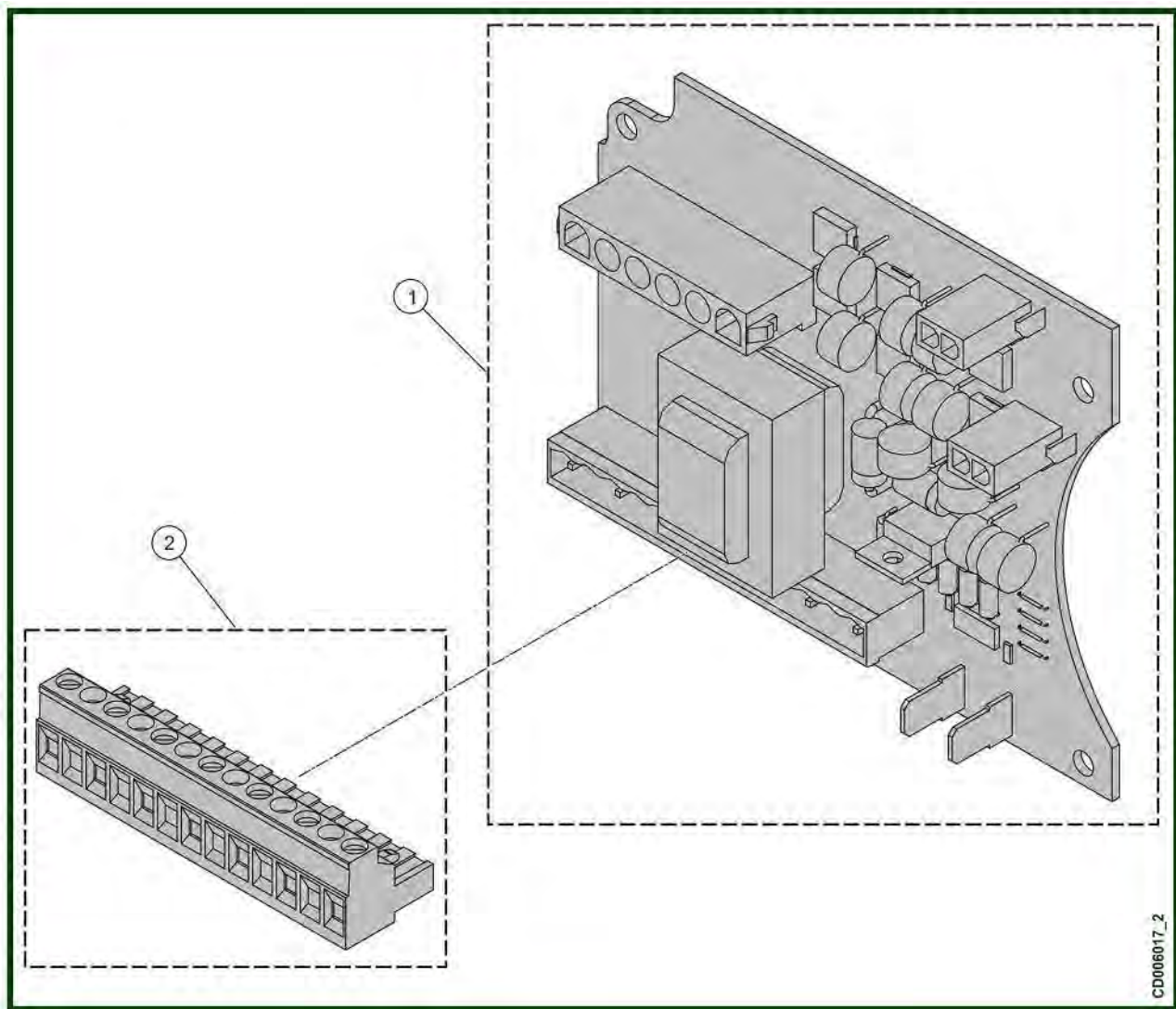
Item	Reference	Description	Observation	Quantity
1	VT0004943	Electrical power crane	230V-690V CI/PC BOARD	1
2	VT0005302	Electrical board 2 speeds- 1 brake	230V-690V / 24V / 50 60Hz	1
2	VT0004945	Electrical board 2 speeds- 1 brake	230V-690V / 48V / 50 60Hz	1
2	VT0005303	Electrical board 2 speeds- 1 brake	230V-690V / 110V / 50 60Hz	1
2	VT0005304	Electrical board 2 speeds- 1 brake	230V-690V/ 230V / 50 60Hz	1
2	VT0005305	Electrical board 2 speeds- 2 brakes	230V-690V / 24V /50 60Hz	1
2	VT0005306	Electrical board 2 speeds- 2 brakes	230V-690V / 48V / 50 60Hz	1
2	VT0005307	Electrical board 2 speeds- 2 brakes	230V-690V / 50-60Hz	1
2	VT0005308	Electrical board 2 speeds- 2 brakes	230V-690V/ 230V / 50 60Hz	1
3	VT0004946	Rectifier - 1 brake	230V-690V	1
3	VT0004947	Rectifier - 2 brakes	230V-690V	1
4	VT0004949	Wire harness - Plug control voltage		1
5	VT0004950	Wire harness - Plug power voltage		1
6	VT0006393	Cable gland set Square cable entry	CG M20- ISO 20 Trolley-Power supply	1
7	VT0006441	Insulation plate		1
8	VT0005107	Connector	4P	1
9	VT0005108	Connector	14P	1
10	VT0007782	Cable gland set Square rectangular entry	4G2.5MM2 Flat cable- Only VR2	1
11	VT0007780	Cable gland set Square cable entry	8G1.5/4G2.5/4G6/4G10mm2	1
12	VT0006089	End cap - Square cable entry		1
13	VT0007781	Head shrinkable tube		1
14	VT0006454	Cable gland set cable plat Square cable entry	12G1.5/4G2.5/4G6mm2 - ISO 25	1
15	VT0008551	Set of connection GLS FDC	FDC MS	1
16	VT0008550	Cable for FDC	Quantity : 2 for 2 Cames or 4 for 4 Cames	1
-	VT0006967	Time counter		1

## 5.4 Without electric component



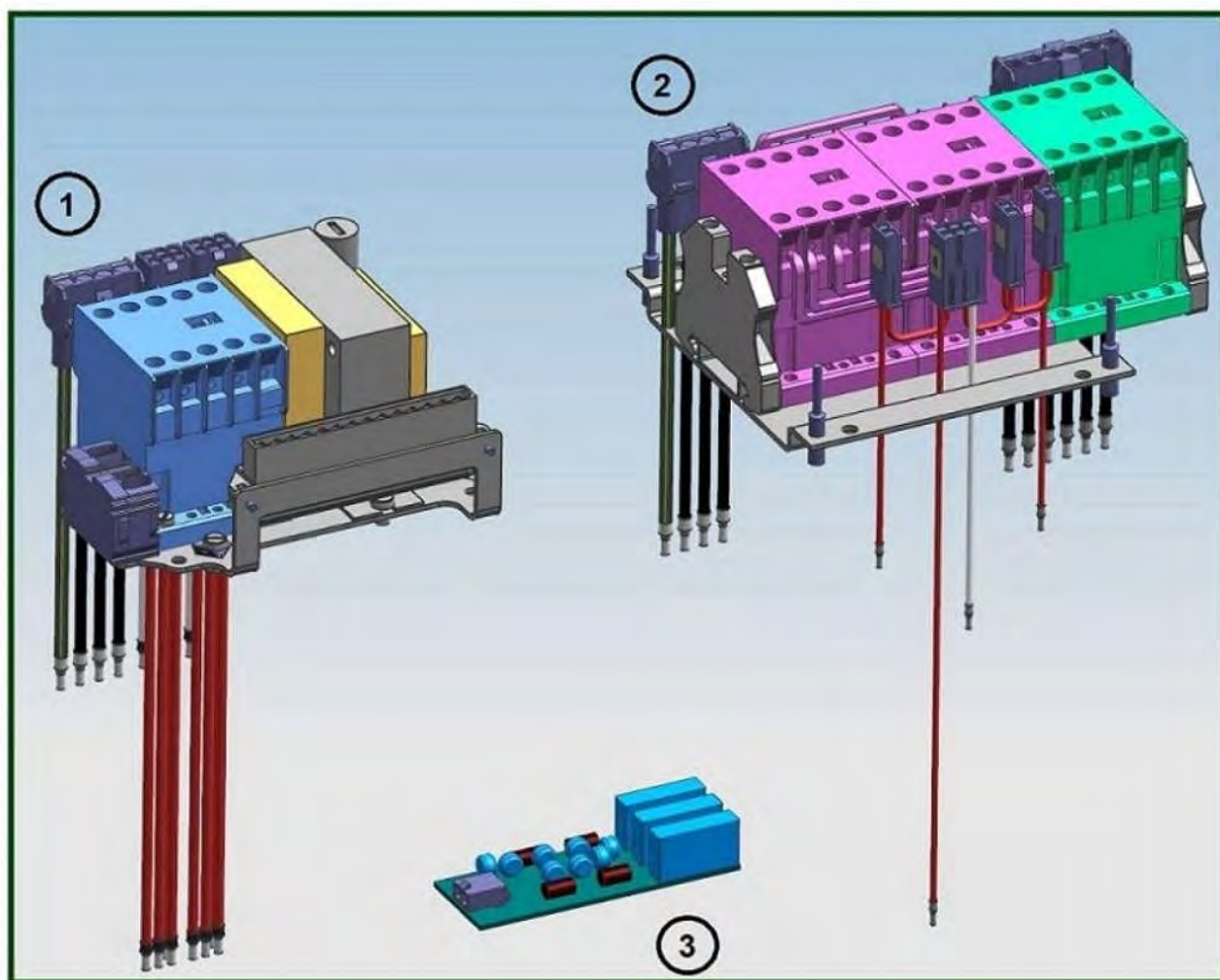
Item	Reference	Description	Observation	Quantity
1	VT0007656	Electric board	Without electric component + Rectifier	1
2	VT0006441	Insulation plate		1
3	VT0005107	Connector	4P	1
4	VT0006429	Power connector	7P	1
5	VT0009330	Control connector	10P	1

## 5.5 Direct voltage - ACF



Item	Reference	Description	Observation	Quantity
1	VT0006428	Carte ACF - 2 speeds		1
2	VT0006429	Wire harness - Plug power voltage	7P	1

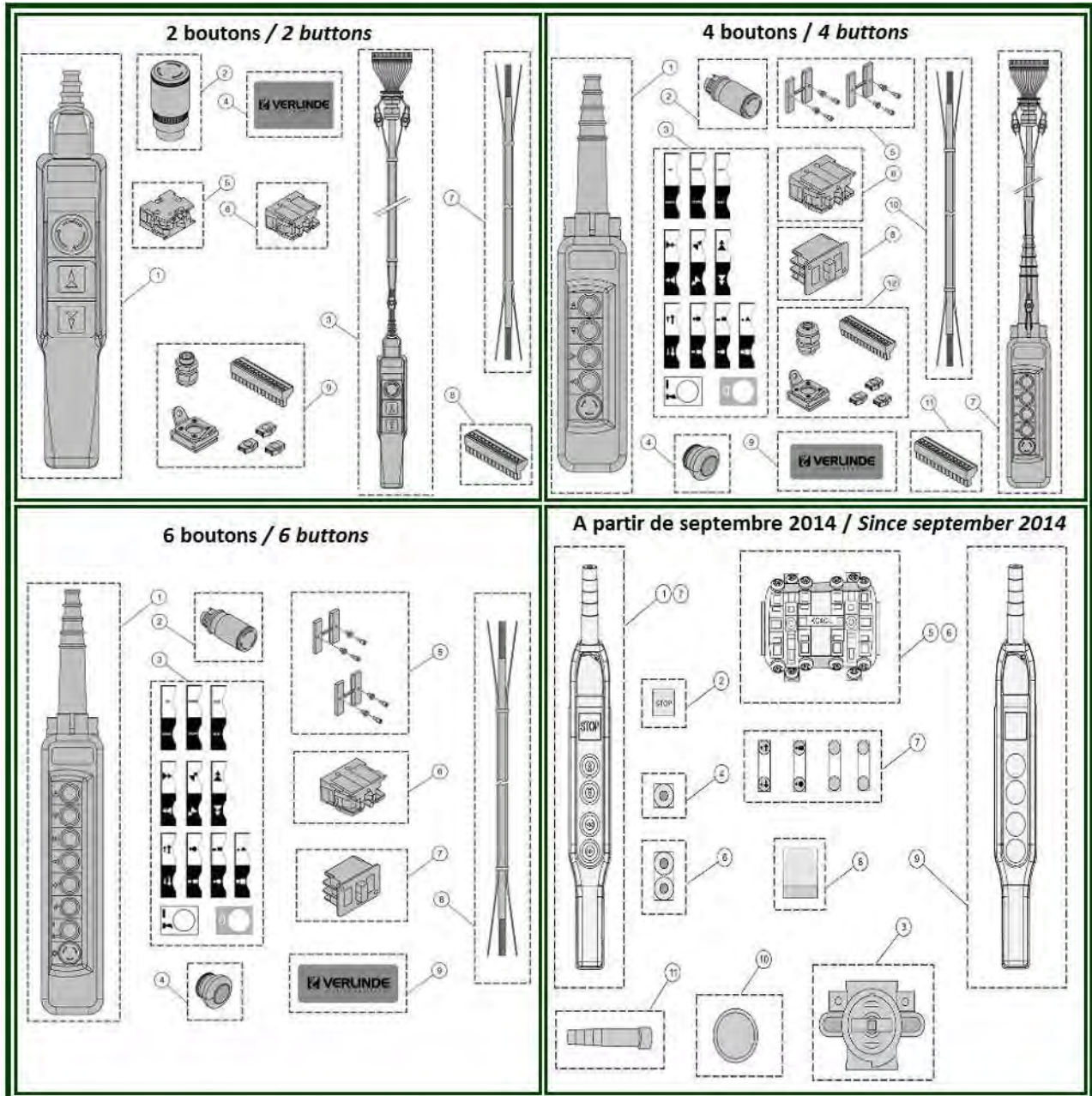
## 5.6 Solo hoist – Hard wiring



Item	Reference	Description	Observation	Quantity
1	VT0007058	Power supply PC Board - Solo hoist	400V-48V Hard wiring - Option	1
1	VT0007084	Power supply PC Board - Solo hoist	400V-110V Hard wiring - Option	1
1	VT0007086	Power supply PC Board - Solo hoist	460V-48V Hard wiring - Option	1
1	VT0007087	Power supply PC Board - Solo hoist	460V-110V Hard wiring - Option	1
2	VT0007057	Electrical board 2 speeds - 1 brake	208V-575V /48V Hard wiring - Option	1
2	VT0007089	Electrical board 2 speeds - 1 brake	208V-575V /110V-115V Hard wiring - Option	1
3	VT0008823	Rectifier	208V-575V	1

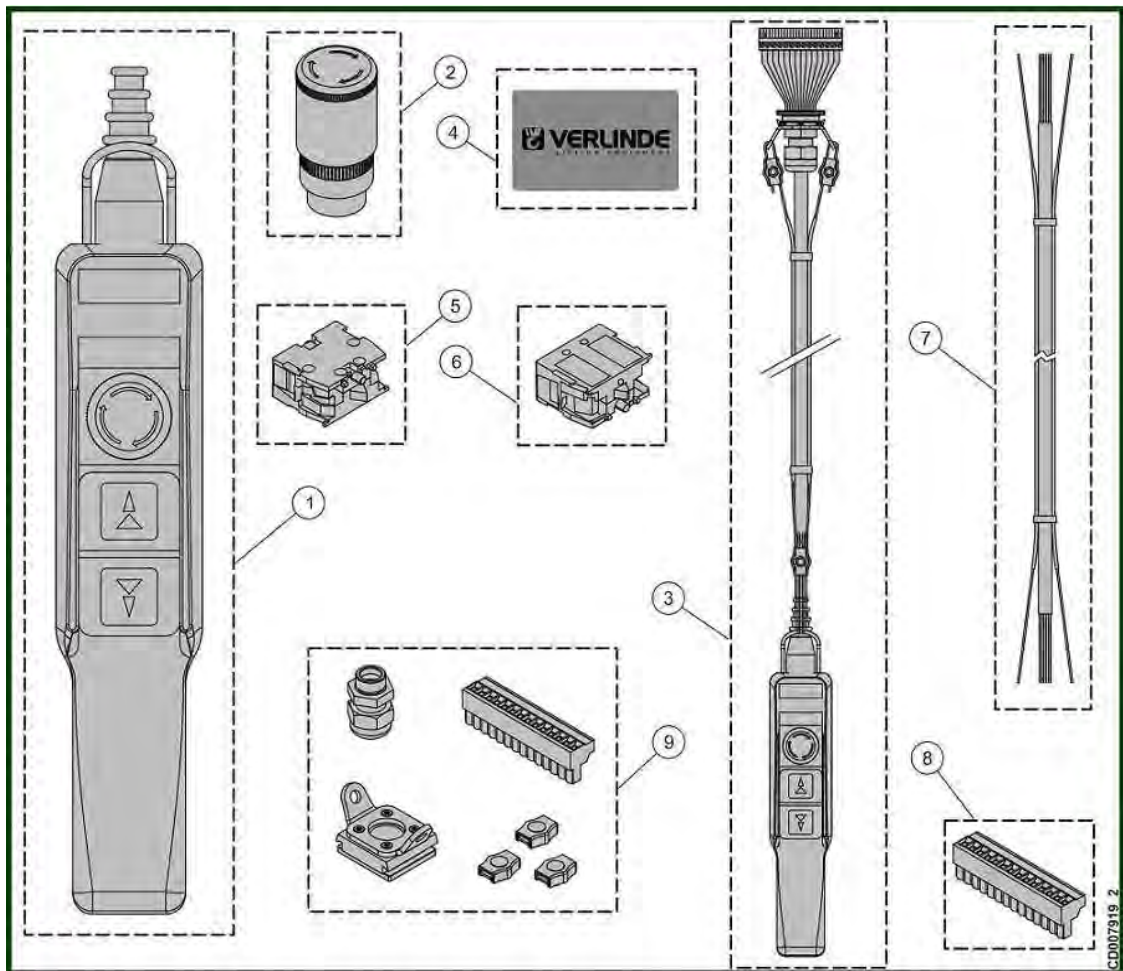


## 6. PUSH BUTTONS CONTROLLER





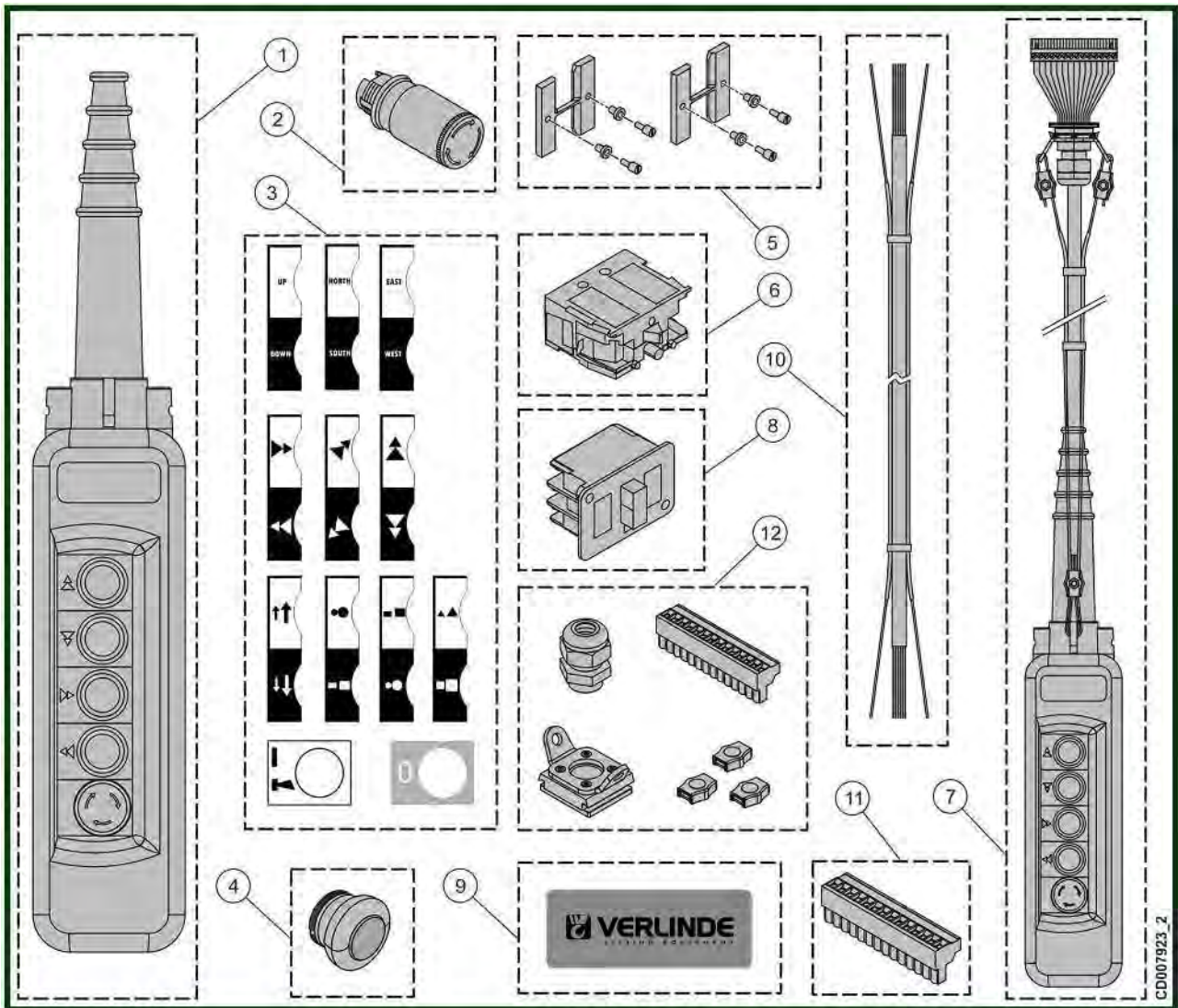
## 6.1 2 buttons



## 2 buttons

Item	Reference	Description	Observation	Quantity
1	VT0005061	Push button - 2HS+ES	Yellow	1
2	VT0006547	Emergency push button		1
3	VT0005612	Push button avec cable - 2HS+ES	2,2 m - Yellow - CE	1
3	VT0005613	Push button avec cable - 2HS+ES	2,7 m - Yellow - CE	1
3	VT0005614	Push button avec cable - 2HS+ES	3,2 m - Yellow - CE	1
3	VT0005615	Push button avec cable - 2HS+ES	3,7 m - Yellow - CE	1
3	VT0005616	Push button avec cable - 2HS+ES	4,2 m - Yellow - CE	1
3	VT0005617	Push button avec cable - 2HS+ES	4,7 m - Yellow - CE	1
3	VT0005618	Push button avec cable - 2HS+ES	5,2 m - Yellow - CE	1
3	VT0005619	Push button avec cable - 2HS+ES	5,7 m - Yellow - CE	1
4	VT0007837	Branding sticker	VERLINDE	1
5	VT0005064	Contact block	ZB2-BE101	1
6	VT0005066	Contact block	ZB2-BE 102	1
7	VT0006746	Cable	5x1,5 mm <sup>2</sup> - CE	1
8	VT0005108	Connector	14P	1
9	VT0007583	Pendant plug set	ISO	1

## 6.2 4 buttons

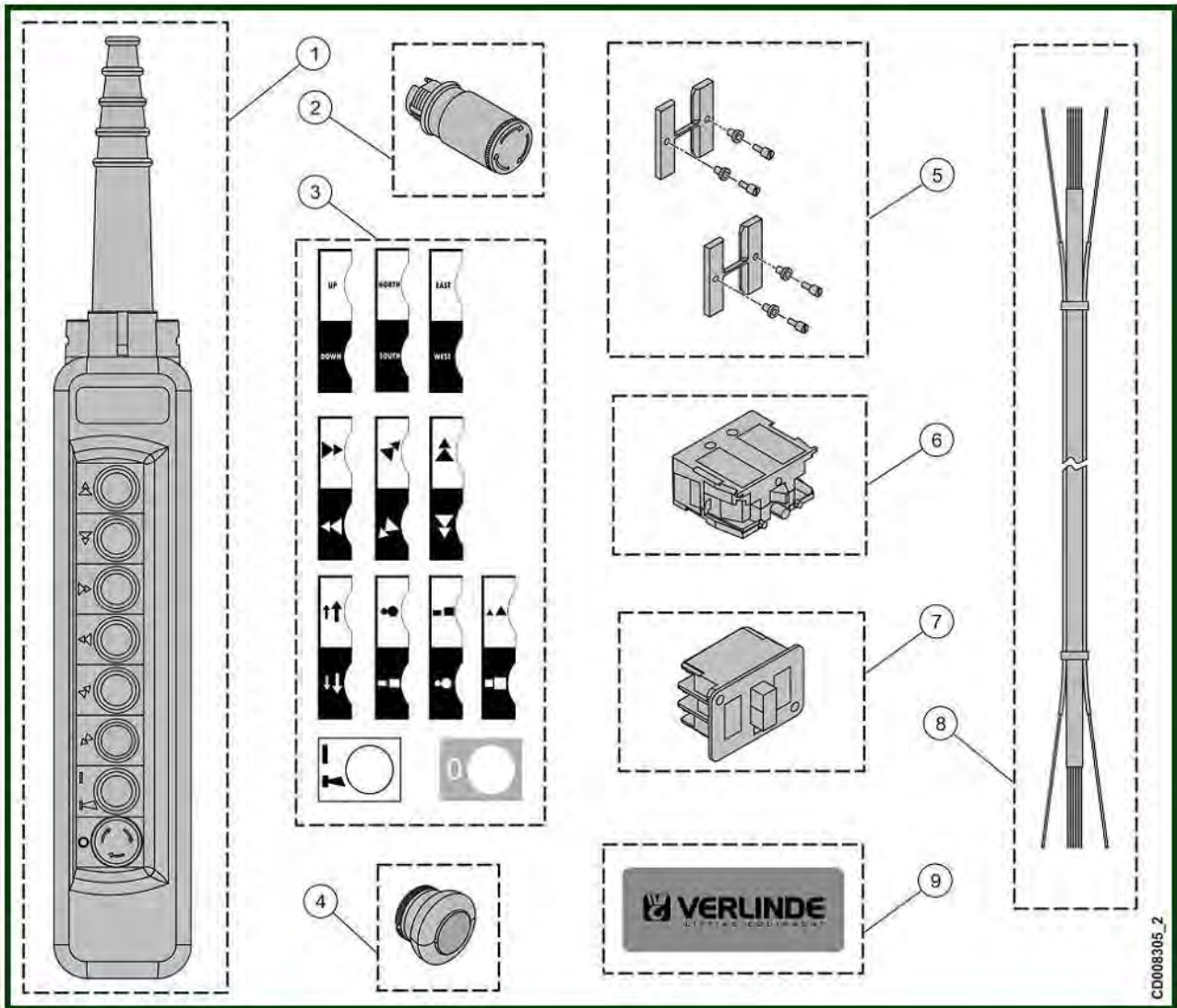


CD007923\_2

#### 4 buttons

Item	Reference	Description	Observation	Quantity
1	VT0005055	Push button 2HS+2TS+ES	Yellow	1
2	VT0006548	Emergency push button		1
3	VT0007882	Set of direction symbols		1
4	VT0005063	Push button		1
5	VT0005072	Mechanical interlock		2
6	VT0005066	Block contact	ZB2-BE 102	1
7	VT0006059	Push button with cable 2HS+2TS+ES	4,2 m - Yellow	1
7	VT0006060	Push button with cable 2HS+2TS+ES	4,7 m - Yellow	1
7	VT0006061	Push button with cable 2HS+2TS+ES	5,2 m - Yellow	1
7	VT0006062	Push button with cable 2HS+2TS+ES	5,7 m - Yellow	1
7	VT0006055	Push button with cable 2HS+2TS+ES	2,2 m - Yellow	1
7	VT0006056	Push button with cable 2HS+2TS+ES	2,7 m - Yellow	1
7	VT0006057	Push button with cable 2HS+2TS+ES	3,2 m - Yellow	1
7	VT0006058	Push button with cable 2HS+2TS+ES	3,7 m - Yellow	1
8	VT0007879	Block contact	XENG1191	1
9	VT0007880	Sticker of brand	VERLINDE	1
10	VT0006747	Cable - 8x1,5mm <sup>2</sup>	Meter	1
11	VT0005108	Connector	14P	1
12	VT0007583	Pendant plug set	ISO	1

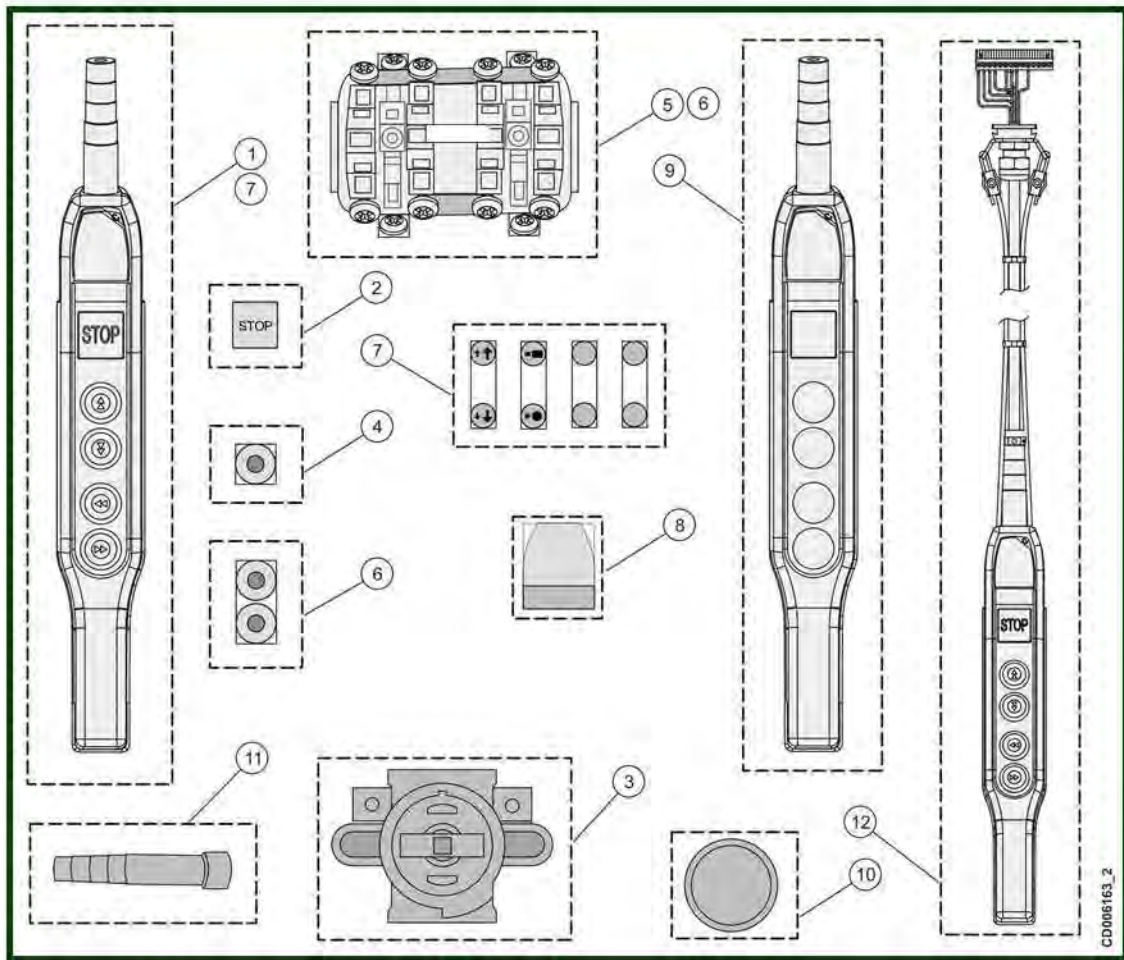
### 6.3 6 buttons



Item	Reference	Description	Observation	Quantity
1	VT0005058	Push button 2HS+2TS+2LS+On/Off	Yellow	1
2	VT0006548	Emergency push button		1
3	VT0007882	Set of direction symbols		1
4	VT0005063	Button		1
5	VT0005072	Mechanical interlock		2
6	VT0005066	Block contact	ZB2-BE 102	1
7	VT0007879	Block contact	XENG1191	1
8	VT0008073	Cable	16x1.52mm <sup>2</sup> - meter	1
8	VT0008074	Cable	20x1.5mm <sup>2</sup> - meter	1
9	VT0007880	Sticker of brand	VERLINDE	1
-	VT0005108	Connector	14P	1



## 6.4 Push button – From september 2014



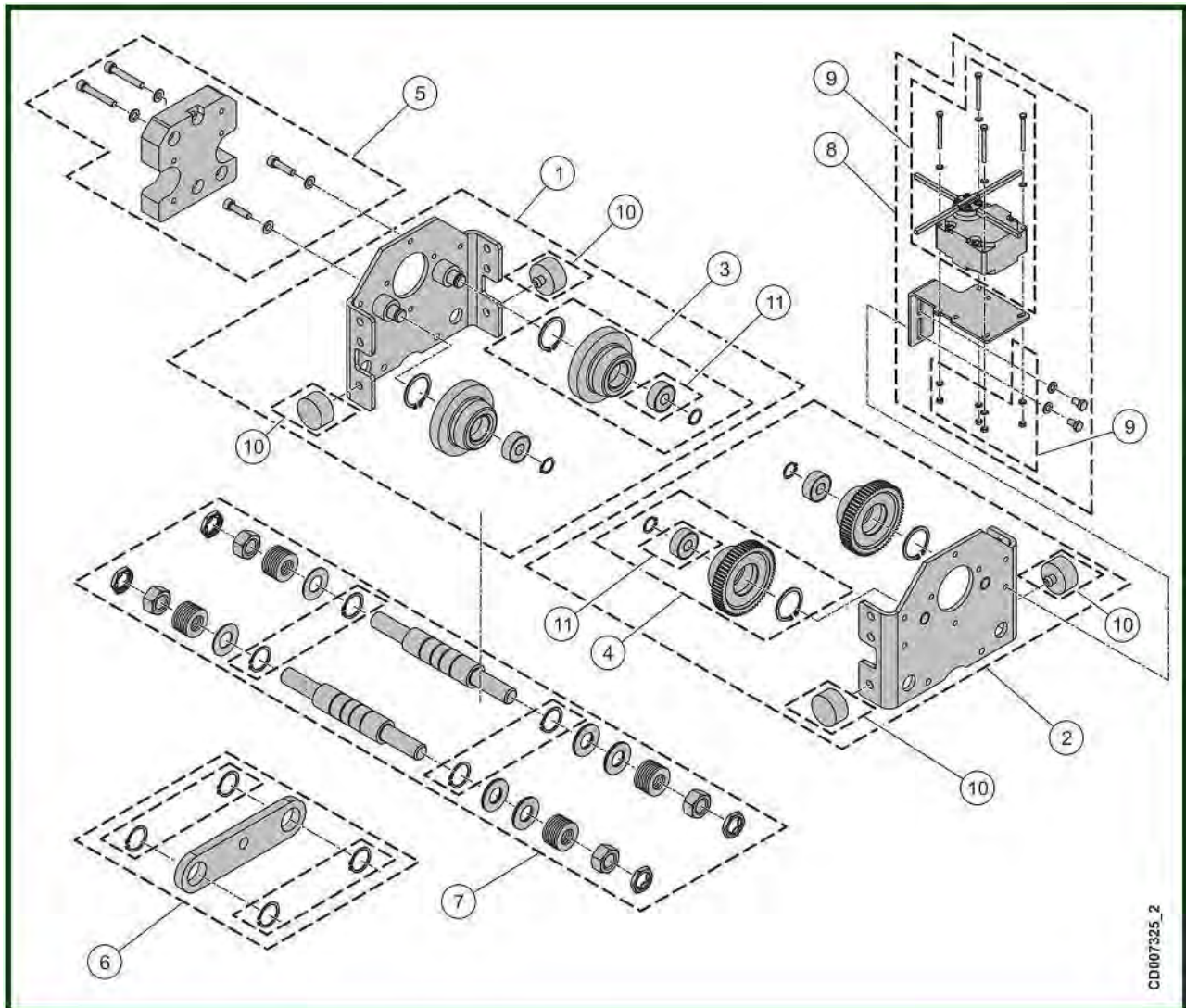
## Push button – From september 2014

Item	Reference	Description	Observation	Quantity
1	VT0006495	Push button – 2HS+2HT+ES	Yellow - 4 buttons -	1
1	VT0006493	Push button – 2HS+ES	Yellow - 2 buttons -	1
2	VT0006509	Emergency push button		1
3	VT0006510	Emergency stop contact block		1
4	VT0006511	Rubber push button		1
5	VT0006513	Contact block	2 speeds	1
6	VT0006514	Set of 2 push buttons + contact block		1
7	VT0006754	Stickers - Direction symbols	ANSI	1
7	VT0006752	Stickers - Direction symbols	DIN	1
7	VT0006753	Stickers - Direction symbols	FIN-SEN	1
8	VT0006496	Sticker of brand	VERLINDE	1
9	VT0006515	Push button	Yellow - 2 buttons	1
9	VT0006518	Push button	Yellow - 4 buttons	1
10	VT0006517	Set magnet		1
10	VT0006516	Rubber part		1
11	VT0007032	Cable bushing		1
12	VT0006958	Push buttons box + cable + plug 2 HS+ES	2,20 m - Yellow- DIN	1
12	VT0006951	Push buttons box + cable + plug 2 HS+ES	2,70 m - Yellow- DIN	1
12	VT0006952	Push buttons box + cable + plug 2 HS+ES	3,20 m - Yellow- DIN	1
12	VT0006953	Push buttons box + cable + plug 2 HS+ES	3,70 m - Yellow- DIN	1
12	VT0006954	Push buttons box + cable + plug 2 HS+ES	4,20 m - Yellow- DIN	1
12	VT0006955	Push buttons box + cable + plug 2 HS+ES	4,70 m - Yellow- DIN	1
12	VT0006956	Push buttons box + cable + plug 2 HS+ES	5,20 m - Yellow- DIN	1
12	VT0006957	Push buttons box + cable + plug 2 HS+ES	5,70 m - Yellow- DIN	1

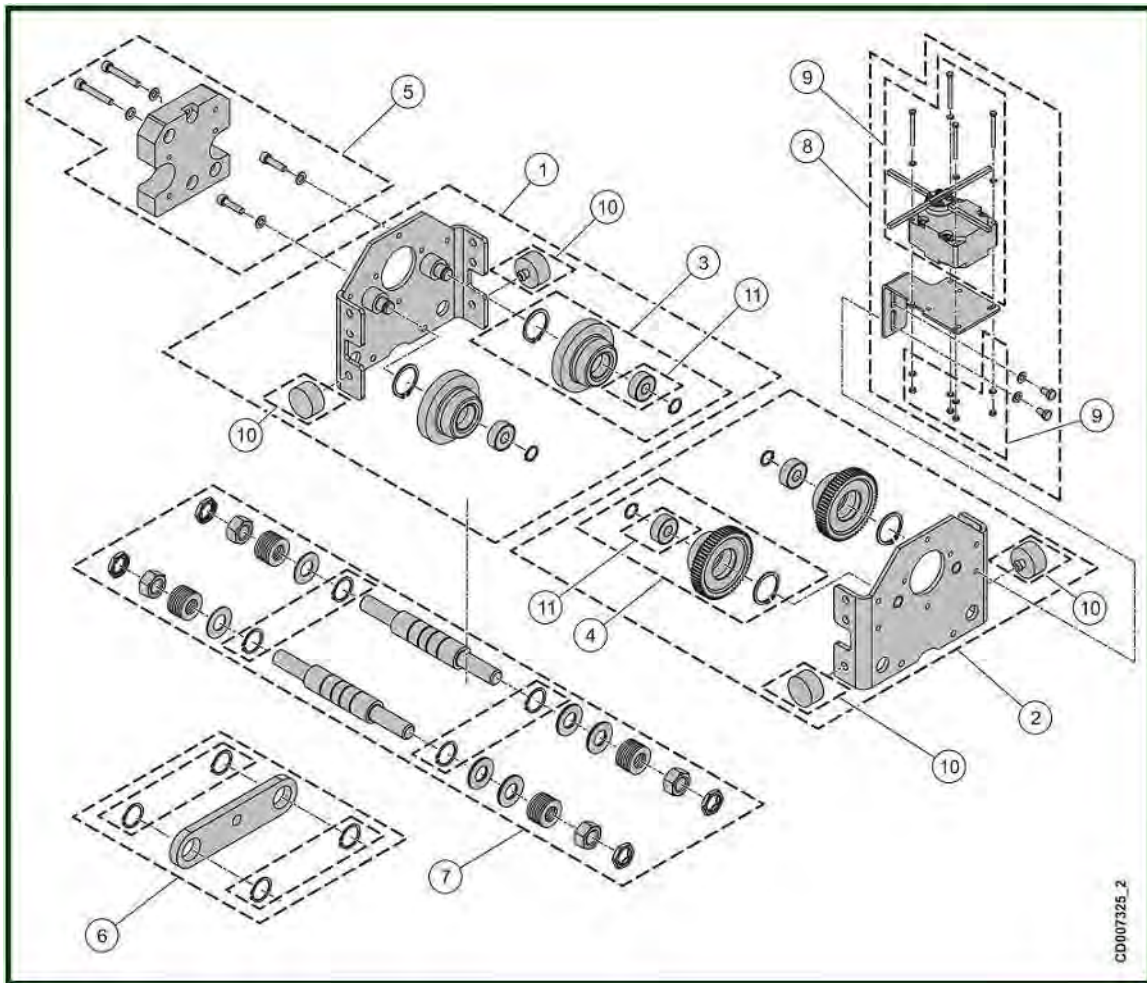
13	VT0006959	Push buttons box + cable + plug 2 HS+2TS+ES	2,20 m - Yellow- DIN	1
13	VT0006966	Push buttons box + cable + plug 2 HS+2TS+ES	2,70 m - Yellow- DIN	1
13	VT0006960	Push buttons box + cable + plug 2 HS+2TS+ES	3,20 m - Yellow- DIN	1
13	VT0006961	Push buttons box + cable + plug 2 HS+2TS+ES	3,70 m - Yellow- DIN	1
13	VT0006962	Push buttons box + cable + plug 2 HS+2TS+ES	4,20 m - Yellow- DIN	1
13	VT0006963	Push buttons box + cable + plug 2 HS+2TS+ES	4,70 m - Yellow- DIN	1
13	VT0006964	Push buttons box + cable + plug 2 HS+2TS+ES	5,20 m - Yellow- DIN	1
13	VT0006965	Push buttons box + cable + plug 2 HS+2TS+ES	5,70 m - Yellow- DIN	1

## 7. NORMAL HEADROOM TROLLEY

NHT



### 7.1 C1 Trolley - 0 to 1000 kg – Coupled version



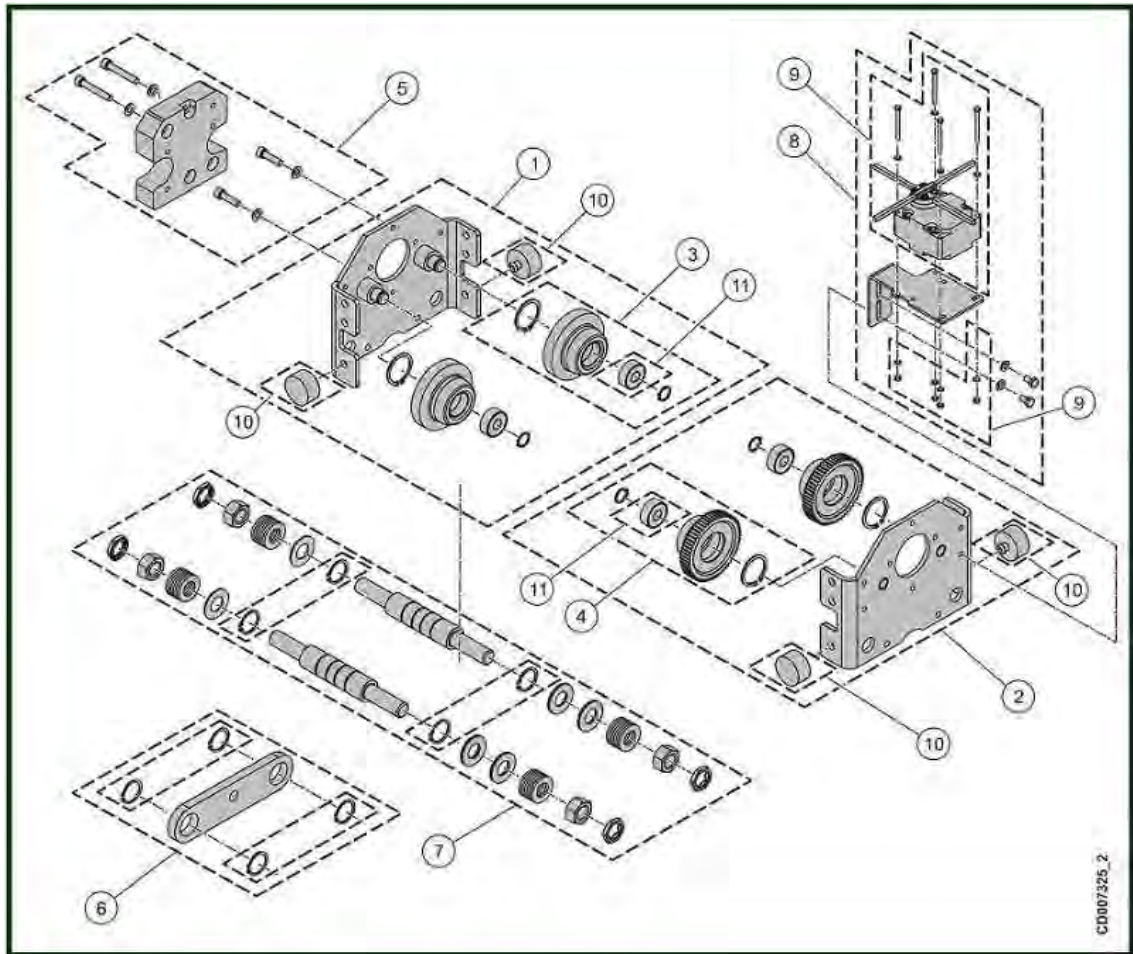


### C1 trolley - 0 to 1000 kg – Coupled version

Item	Reference	Description	Observation	Quantity
1	VT0007051	Idler side plate assembly		1
2	VT0007066	Drive side plate assembly		1
3	VT0007061	Complete set of travel wheel without shaft		1
4	VT0007063	Set driving wheel without shaft	∅ 62 - 93 mm	1
5	VT0007062	Counterweight set		1
6	VT0007065	Coupling part	Coupled version	1
7	VT0007026	Tie rod set beam- 55 to 100 mm	Monobloc tie road since 1999	1
7	VT0007027	Tie rod set beam- 106 to 150 mm	Monobloc tie road since 1999	1
7	VT0007028	Tie rod set beam- 155 to 200 mm	Monobloc tie road since 1999	1
7	VT0007029	Tie rod set beam- 206 to 248 mm	Monobloc tie road since 1999	1
7	VT0007030	Tie rod set beam- 260 to 307 mm	Monobloc tie road since 1999	1
7	VT0007031	Tie rod set beam- 308 to 310 mm	Monobloc tie road since 1999	1
8	VT0007098	Limit switch - 1 step		1
8	VT0008775	Limit switch - 2 steps		1
9	VT0008776	Travelling limit switch assembly - 1 step		1
9	VT0008777	Travelling limit switch assembly - 2 steps		1
10	VT0009357	Buffer	D40x20 - For C1 to C5 trolley	1
11	VT0007091	Ball bearing		1

## 7.2 C2 Trolley - 1001 to 2000 kg – Coupled version

*Only for tension greater than 480V*

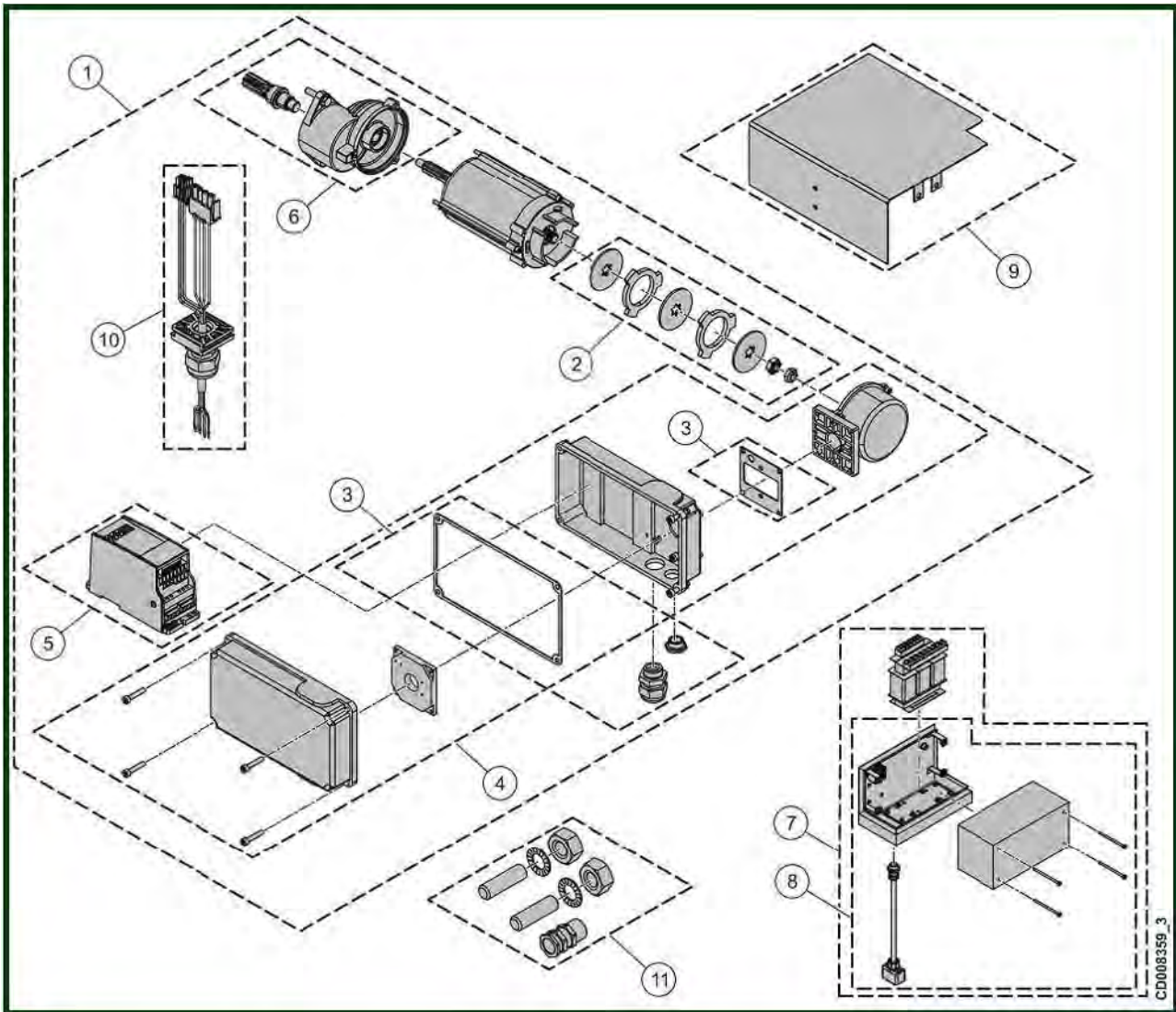


## C2 trolley - 1001 to 2000 kg – Coupled version

*Only for tension greather than 480V*

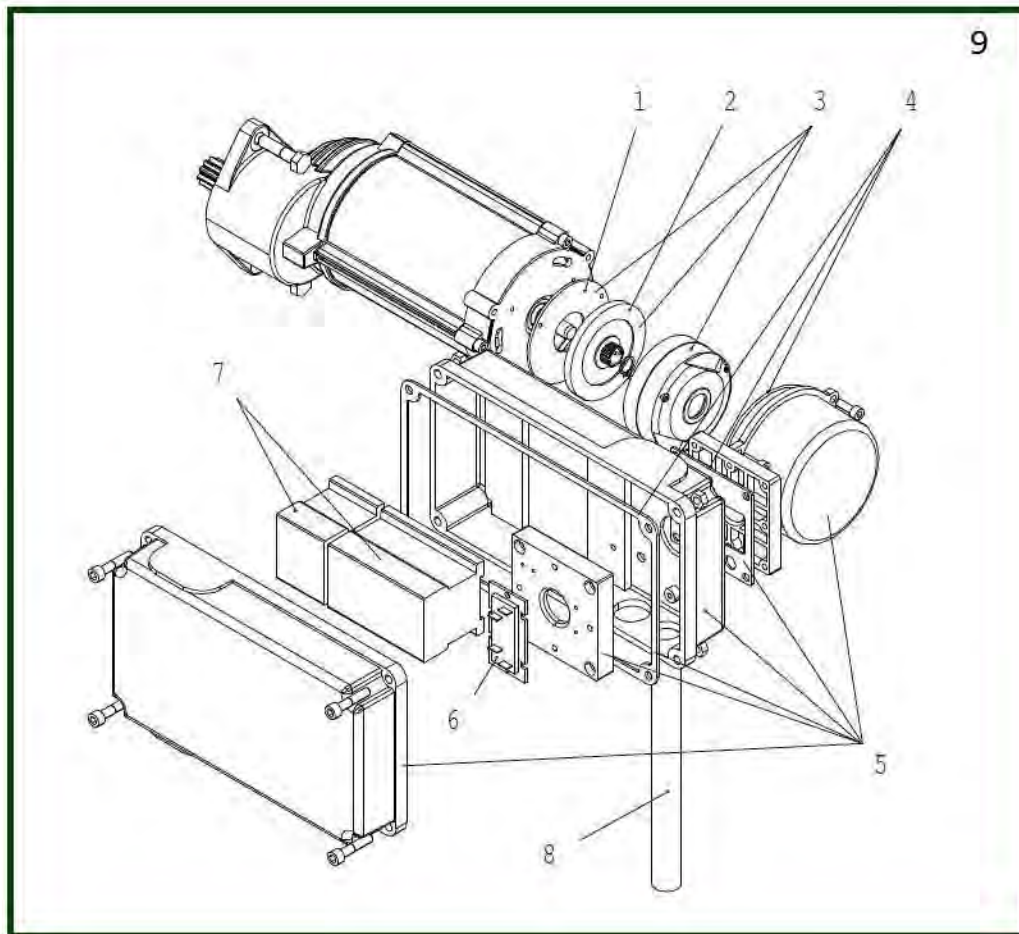
Item	Reference	Description	Observation	Quantity
1	VT0007067	Idler side plate assembly	C2	1
2	VT0007068	Drive side plate assembly	C2	1
3	VT0007069	Complete set of travel wheel without shaft	C2 - Ø 80x120 mm	1
4	VT0008778	Set driving wheel without shaft	C2 - Ø 80x120 mm	1
5	VT0008780	Counterweight set	C2	1
6	VT0007085	Coupling part	Coupled version	1
7	VT0007036	Tie rod set beam - 64 to 126 mm	C2 - Monobloc tie road since 1999	1
7	VT0007037	Tie rod set beam - 131 to 190 mm	C2 - Monobloc tie road since 1999	1
7	VT0007038	Tie rod set beam - 198 to 248 mm	C2 - Monobloc tie road since 1999	1
7	VT0007039	Tie rod set beam - 260 to 310 mm	C2 - Monobloc tie road since 1999	1
8	VT0007098	Limit switch - 1 step		1
8	VT0008775	Limit switch - 2 steps		1
9	VT0008776	Travelling limit switch assembly 1 step		1
9	VT0008777	Travelling limit switch assembly 2 steps		1
10	VT0007088	Rubber buffer	40X20 M10	1
11	VT0008781	Ball Bearing	C2	1

### 7.3 Inverter TMU motor



Item	Reference	Description	Observation	Quantity
1	52890308	Travelling machinery - TMU1	42-230V < 1000 Kg	1
1	52890306	Travelling machinery - TMU2	42-230V > 1000 Kg to 2000	1
2	52296293	Brake repair Set	M06-001V	1
3	52300292	Sealing set	M06-008V	1
4	52907130	Housing set	M06-022V	1
5	52387783	Inverter VT003 TMK003.380 460V/ ctrl 42 230V	Since january 2015 for motor already equipped of this inverter	1
6	52297191	Reducer	GEL105PT1B0	1
7	52303806	Control panel	T50E-TE07	1
8	53050878	Housing set	UKTM/ALTM-NEW	1
9	52305058	Rain cover	All models C1 to C5	1
10	53110165	Connection cable	TMU 1&2	1
11	52908158	Fixing set		1

## 7.4 Two speeds TMU motor

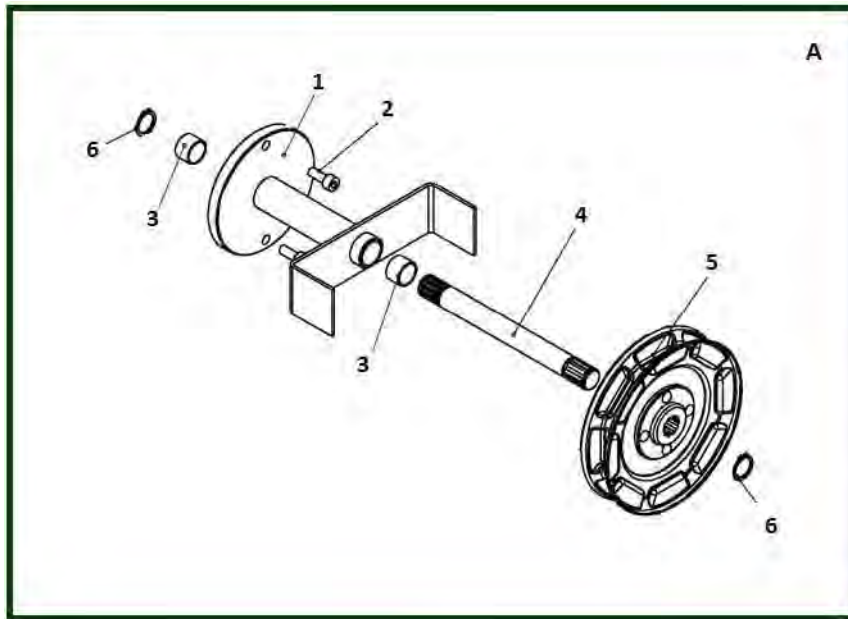




## Two speeds TMU motor

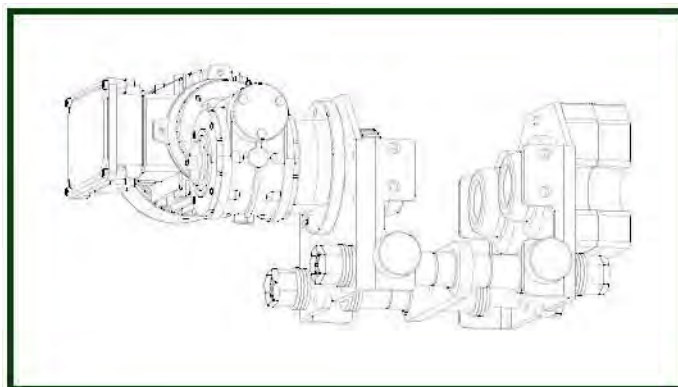
Item	Reference	Description	Observation	Quantity
1	52269590	Plat de friction		1
2	52269587	Brake disc		1
3	52318378	Brake disc 180V	MF06MA104	1
3	52318416	Brake disc 240V	MF06MA104	1
3	52318424	Brake disc 290V	MF06MA104	1
4	52300292	Sealing set	M06-008V	1
5	52300291	Terminal box	M06-007V	1
6	15823007	Rectifier	Motor 220V	1
6	15823006	Rectifier	Motor 380 à 550V	1
7	1123052	Reversing contactor	110V	1
7	1113097	Reversing contactor	230V	1
7	1113023	Reversing contactor 400V/48V - LC2ECO9E	LC2ECO9E (7531023V) Hoisting cross travelling	1
7	1113098	Main contactor KAU	230 V 50/60 Hz	1
7	1113021	Selector contactor	48V	1
7	1123050	Selector contactor	110V	1
8	53243829	Connection Cable	TMU 1&2	1
9	52782175	TMU motor 2 speeds	230V/48V 50 Hz	1
9	52782173	TMU motor 2 speeds	230V/115V 60 Hz - Standard	1
9	52782176	TMU motor 2 speeds	400V/48V 50 Hz	1
9	52782171	TMU motor 2 speeds	460V/115V 60 Hz - Standard	1
9	52782177	TMU motor 2 speeds	500V/48V 50 Hz	1
9	52782172	TMU motor 2 speeds	575V/115V 60 Hz - Standard	1
-	52305058	Rain cover	All models C1 to C5	1

## 7.5 Chain travel



Item	Reference	Description	Observation	Quantity
1	52306328	Support		1
2	830905	CHC screws 8X20		1
3	993275	Bearing		1
4	52306329	CHM shaft		1
5	400953	Travelling hand wheel - $\varnothing$ 165 mm	3,2T	1
6	400052	Circlips		1
	53020194	Hand chain - 5x27.1	9,8 meters	1
	820003	Galvanized hand chain - 5x27,1		1
A	52306332	Chain operated manual travelling	From C1 to C5	1

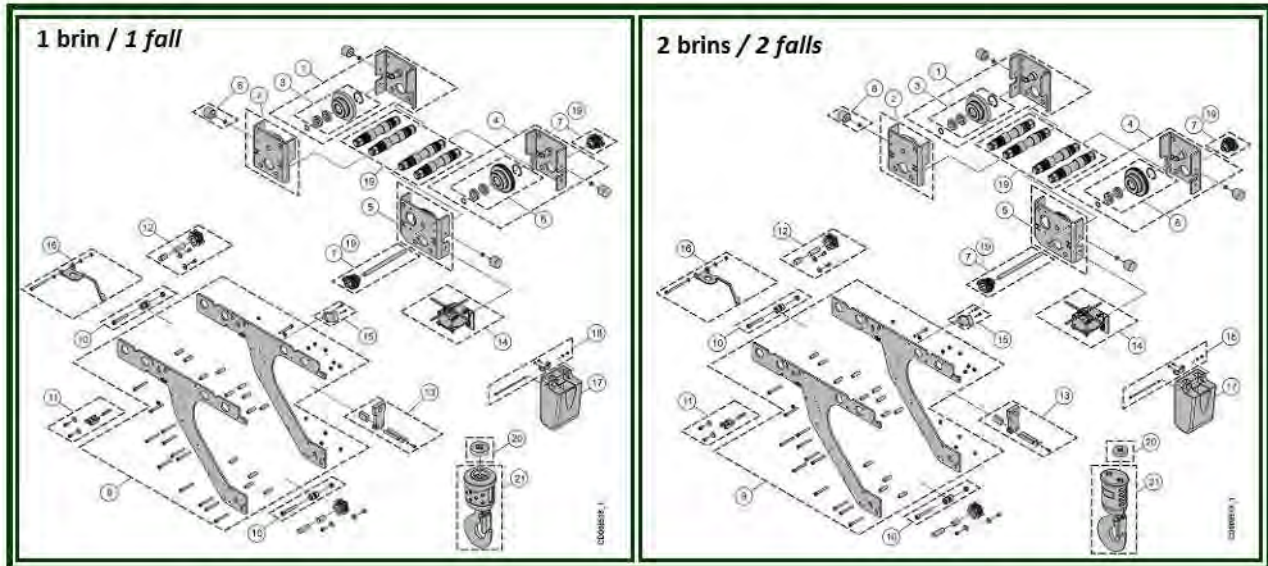
## 7.6 Right angle motor



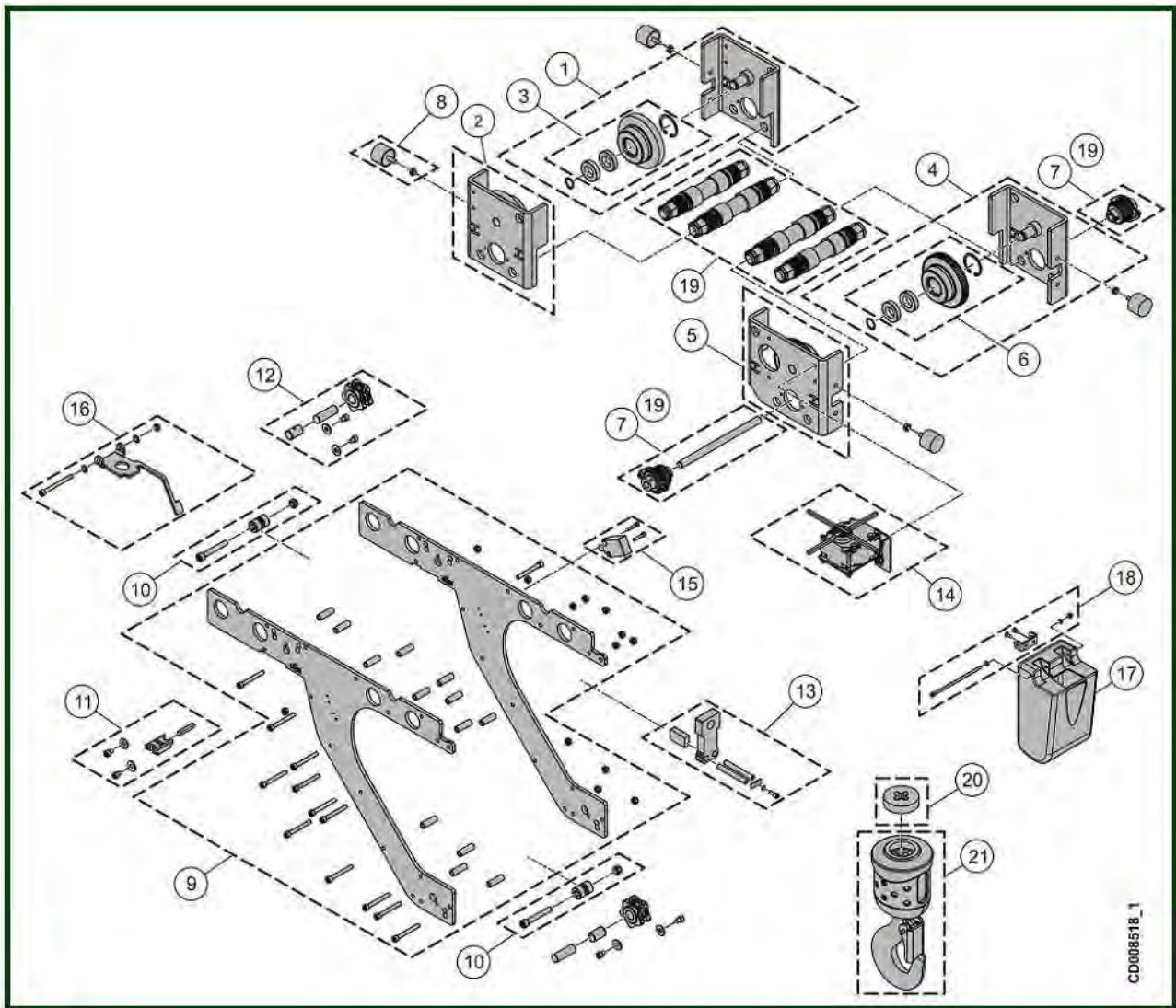
Item	Reference	Description	Observation	Quantity
	551037	Cubicle + Mac2 pcb		1
	2216904	Adaptation set for right angle travelling machinery	Pinion, flange, screws	1
	556972	Right angle travelling machinery	Speed 10 & 2.5m/min For C1-C2-C3	1
	2133033	CI board	2CS - MAC	1

## 8. LOW HEADROOM TROLLEY

LHT



## 8.1 LHT - 1 fall

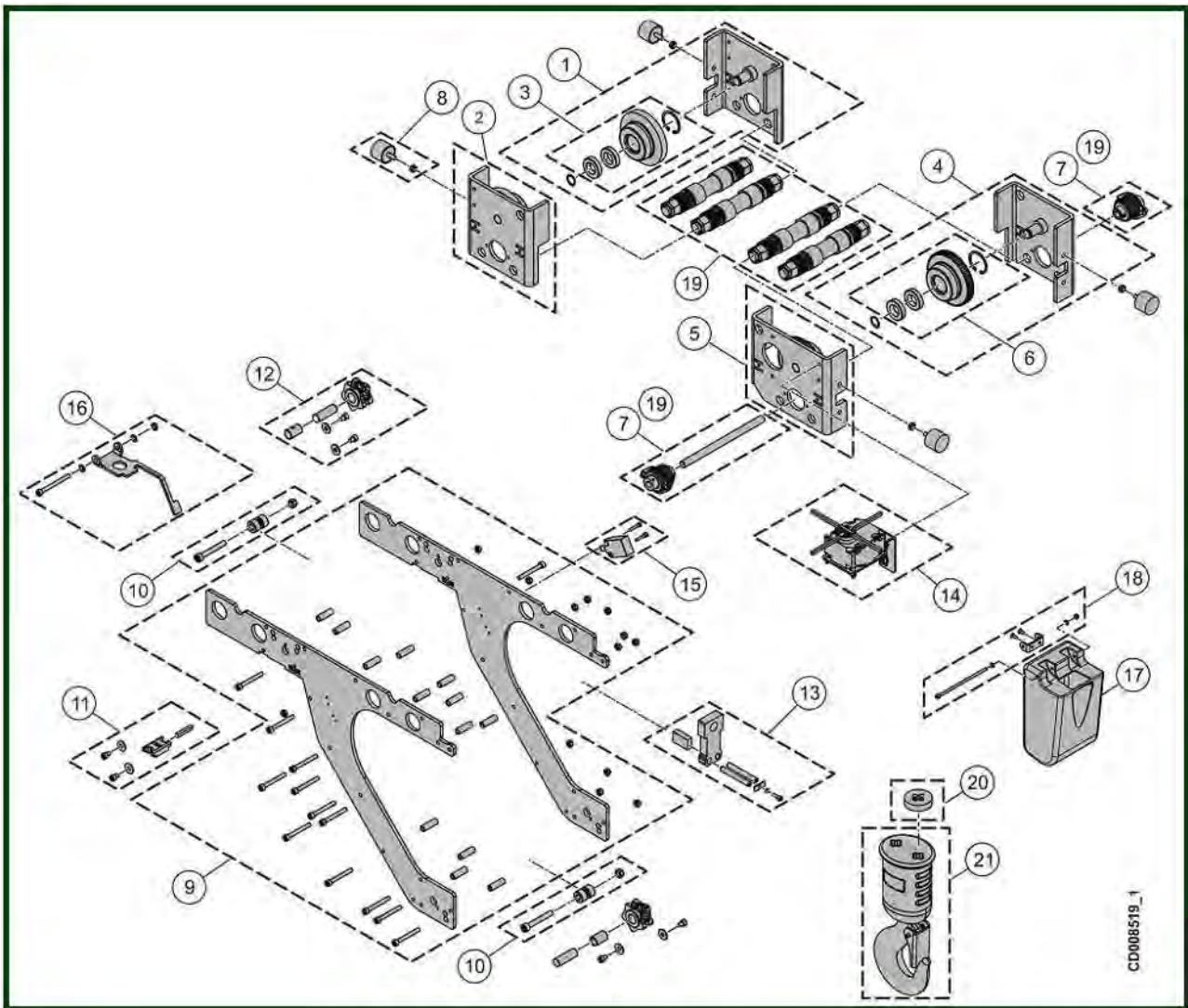




## LHT - 1 fall

Item	Reference	Description	Observation	Quantity
1	VT0008742	Idle flange		1
2	VT0008743	Idle flange	Motor side	1
3	VT0008961	Travel wheel idle without shaft		2
4	VT0008745	Motor flange		1
5	VT0008746	Motor flange	Motor side	1
6	VT0008963	Travel wheel without shaft		2
7	VT0008748	Gear wheel set- 66 to 112	L232	1
7	VT0008947	Gear wheel set- 113 to 154	L274	1
7	VT0008948	Gear wheel set- 155 to 199	L315	1
7	VT0008949	Gear wheel set- 200 to 259	L362	1
7	VT0008950	Gear wheel set- 260 to 300	L422	1
8	VT0008749	Buffer	D40L50	1
9	VT0009137	Plate set - LHT		1
10	VT0009138	Diabolo set	LHT	2
11	VT0009135	Fixing set		1
12	VT0009136	Return sprocket		2
13	VT0009139	Suspension set		1
14	VT0008756	Limit switch	1 fall	1
15	VT0009187	Limit switch assembly - LHT	LHT	1
16	VT0009140	Limit switch activator	LHT	1
17	VT0008832	Chain bucket	6 m for 5x14 10 m for 4x11	1
17	VT0008834	Chain bucket	16 m for 5x14	1
17	VT0008835	Chain bucket	25 m for 5x14 40 m for 4x11	1
18	VT0008833	Fixing set of chain bucket	L166 H28 T4	1
19	VT0009141	Shaft set- 66 à112	L232	1
19	VT0009142	Shaft set- 113 à 154	L274	1
19	VT0009143	Shaft set- 155 à 199	L315	1
19	VT0009144	Shaft set- 200 à 259	L362	1
19	VT0009145	Shaft set- 260 à 300	L422	1
20	VT0008153	Buffer	D40T10	1
21	VT0008562	Complete hook- 1fall	DH-Standard hook	1

## 8.2 LHT - 2 falls



## LHT - 2 falls

Item	Reference	Description	Observation	Quantity
1	VT0008742	Idle flange		1
2	VT0008743	Idle flange	Motor side	1
3	VT0008961	Travel wheel idle without shaft		2
4	VT0008745	Motor flange		1
5	VT0008746	Motor flange	Motor side	1
6	VT0008963	Travel wheel without shaft		2
7	VT0008748	Gear wheel set- 66 à 112	L232	1
7	VT0008947	Gear wheel set- 113 à 154	L274	1
7	VT0008948	Gear wheel set- 155 à 199	L315	1
7	VT0008949	Gear wheel set- 200 à 259	L362	1
7	VT0008950	Gear wheel set- 260 à 300	L422	1
8	VT0008749	Buffer	D40L50	1
9	VT0009137	Plate set	LHT	1
10	VT0009138	Diabolo set	LHT	2
11	VT0009135	Fixing set		1
12	VT0009136	Return sprocket		2
13	VT0009139	Suspension set		1
14	VT0008756	Limit switch	1 fall	1
15	VT0009187	Limit switch assembly	LHT	1
16	VT0009140	Limit switch activator	LHT	1
17	VT0008832	Chain bucket	6 m for 5x14 10 m for 4x11	1
17	VT0008834	Chain bucket	16 m for 5x14	1
17	VT0008835	Chain bucket	25 m for 5x14 40 m for 4x11	1
18	VT0008833	Fixing set of chain bucket	L166 H28 T4	1
19	VT0009141	Shaft set- 66 to112	L232	1
19	VT0009142	Shaft set- 113 to 154	L274	1
19	VT0009143	Shaft set- 155 to 199	L315	1
19	VT0009144	Shaft set- 200 to 259	L362	1
19	VT0009145	Shaft set- 260 to 300	L422	1
20	VT0008153	Buffer	D40T10	1
21	VT0008567	Complete hook- 2 falls	RSN05 Standard hook + Standard hook block	1