

To avoid errors, when ordering please specify:

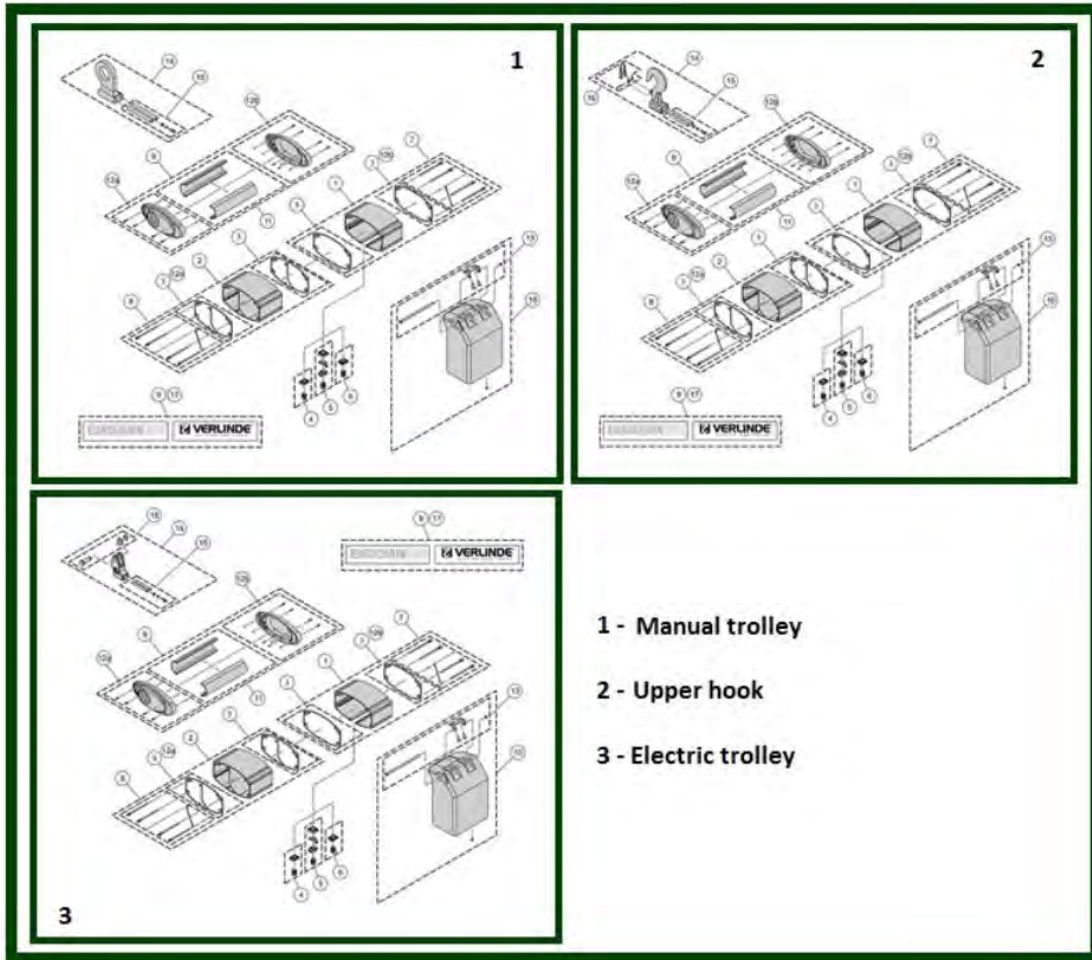
- Complete type of hoist
- Date of manufacture and serial number
- Spare part code
- Spare part designation
- Additional information

Spare parts VR05 – PHASE 1

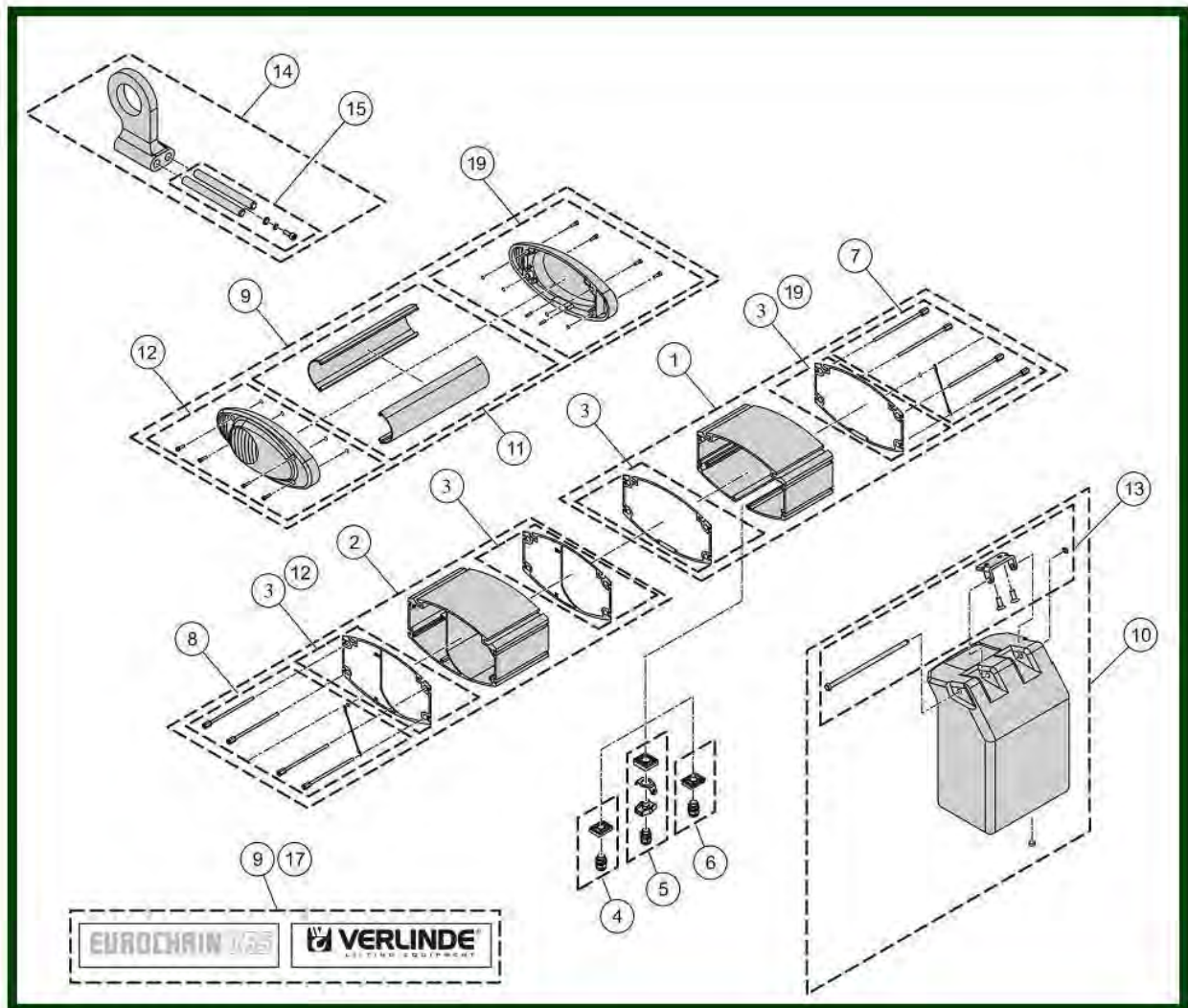


1.	FRAME.....	3
	1.1. Manual trolley.....	4
	1.2. Upper hook.....	6
	1.3. Electric trolley.....	8
2.	CHAIN GUIDE.....	10
	2.1. Chain 5x14 + Hook block.....	11
	2.2. Chain 4x11 + Hooblock.....	13
	2.3. Chain 5x14 – Digichain.....	15
	2.4. Precut chain.....	17
3.	GEAR.....	18
4.	MOTOR.....	20
	4.1. Single brake.....	21
	4.2. Double brakes.....	23
5.	ELECTRICAL PARTS.....	25
	5.1. Solo Equipment– Standard.....	26
	5.2. Equipment for Eurosystem - Acier-Alu. & PRV.....	29
	5.3. Equipment for crane kit - For UT+GTR+GTN.....	32
	5.4. Without electric component.....	34
	5.5. Direct voltage – ACF.....	35
	5.6. Solo hoist- Hard wiring.....	36
6.	PUSH BUTTON CONTROLLER.....	37
	6.1. 2 buttons.....	38
	6.2. 4 buttons.....	40
	6.3. 6 buttons.....	42
	6.4. Push buttons – From september 2014.....	43
7.	NORMAL HEADROOM TROLLEY.....	46
	7.1. C1 trolley - 0 to 1000 kg – Hanging version.....	47
	7.2. C1 trolley - 0 to 1000 kg – Hanging version.....	48
	7.3. C2 trolley - 1001 to 2000 kg – Hanging version.....	49
	7.4. C2 trolley - 1001 to 2000 kg – Coupled version.....	51
	7.5. Inverter TMU motor.....	53
	7.6. Two speeds TMU motor.....	55
	7.7. Chain travel.....	57
	7.8. Right angle motor.....	58
8.	LOW HEADROOM TROLLEY.....	59

1. FRAME



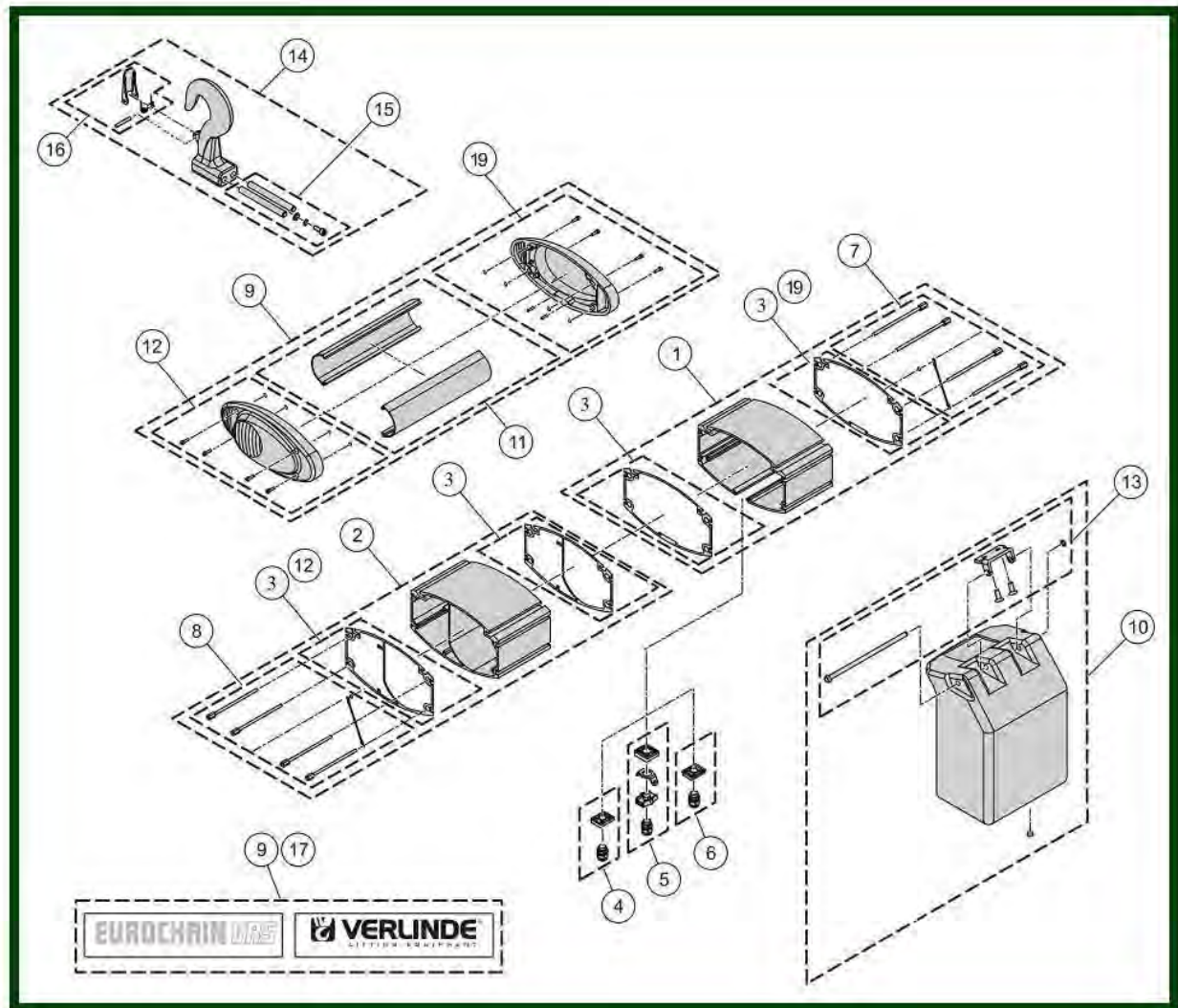
1.1. Manual trolley



Manual trolley

Item	Reference	Description	Observation	Quantity
1	<u>VT0004903</u>	Frame - Brake side	Single brake	1
2	<u>VT0004555</u>	Frame - Motor side	Standard : Single brake & double brakes GLS : Double brakes	1
3	<u>VT0004857</u>	Sealings set		1
4	<u>VT0006454</u>	Cable gland set flat cable Square cable entry	12G1.5/4G2.5/4G6mm2 - ISO 25	1
4	<u>VT0006326</u>	Cable gland set Square cable entry	Flat cable 4G2.5	1
4	<u>VT0006393</u>	Cable gland set Square cable entry	CG M20- ISO 20 Trolley-Power supply	1
5	<u>VT0005090</u>	Cable gland set Square cable entry	Push buttons	1
6	<u>VT0006089</u>	End cap Square cable entry		1
7	<u>VT0006327</u>	Screw set M6L147 - Brake side	Standard + GLS - 2 comes Single brake	1
8	<u>VT0006328</u>	Screw set M6L161 - Motor side	Standard + GLS Single brake & Double brakes	1
9	<u>VT0006334</u>	Cover	Single brake	1
10	<u>VT0004964</u>	Chain bucket	8 m for 5x14 12 m for 4x11	1
10	<u>VT0006358</u>	Chain bucket	16 m for 5x14	1
10	<u>VT0006002</u>	Chain bucket	30 m for 5x14 50 m for 4x11 Industrial / Normal	1
11	<u>VT0004858</u>	Housing	Single brake	1
12	<u>VT0006335</u>	Cover set - Motor side		1
13	<u>VT0004860</u>	Fixing set of chain bucket	30 m – Industrial / Normal	1
14	<u>VT0004966</u>	Coupling part	Manual trolley	1
15	<u>VT0007582</u>	Shaft set		1
15	<u>VT0004862</u>	Shaft set	Rotating + fixed upper hook	1
17	<u>VT0006337</u>	Stickers of brand	Single brake	1
19	<u>VT0006336</u>	Cover set- Brake side	VERLINDE	1
	<u>VT0006026</u>	Identification plate	Serial number request	1
	<u>VT0006091</u>	Set of 10 load plates	250 Kg	1
	<u>VT0006449</u>	Set of 10 load plates	320 Kg	1
	<u>VT0006048</u>	Set of 10 load plates	500 Kg	1
	<u>VT0006049</u>	Set of 10 load plates	630 Kg	1

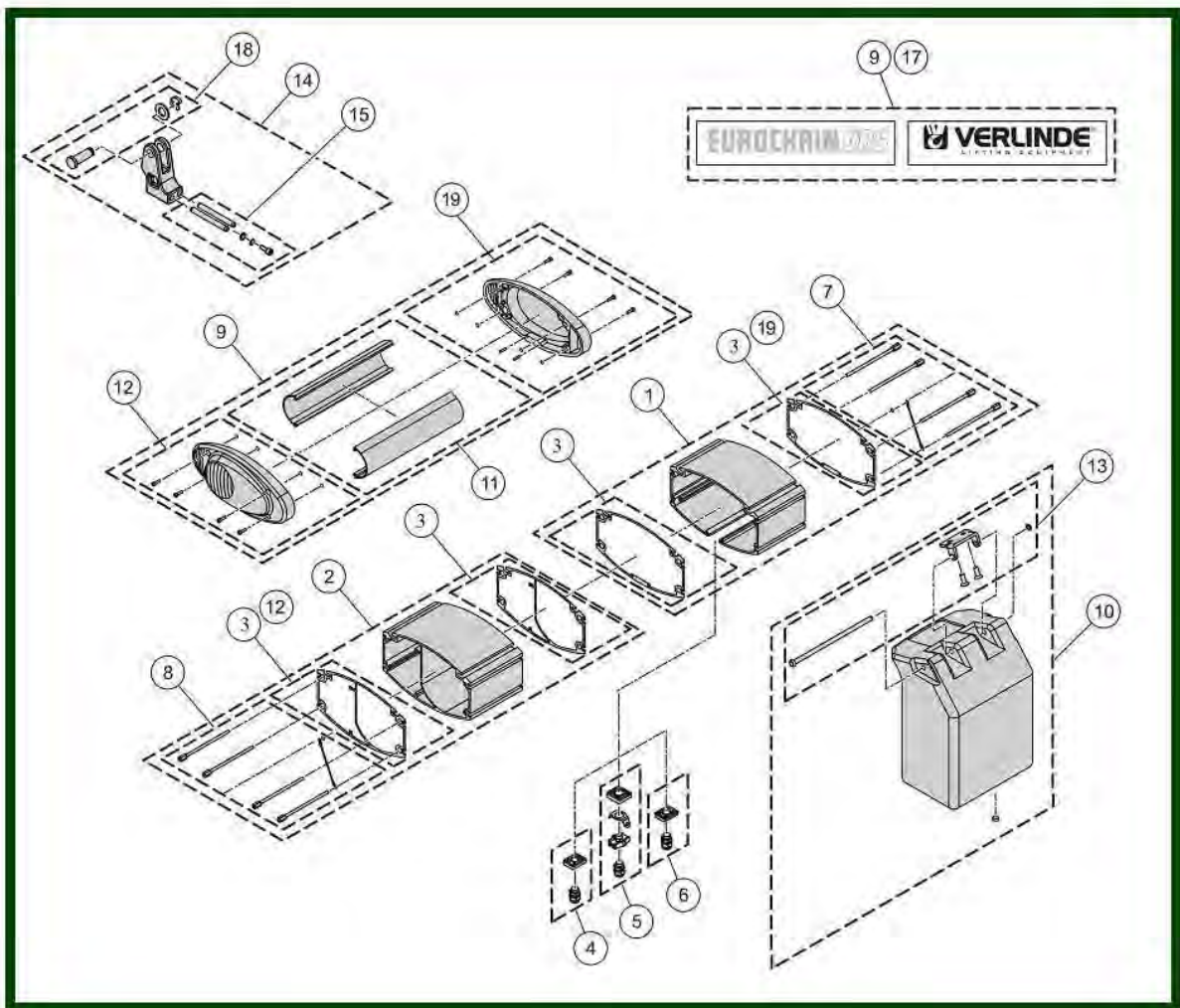
1.2. Upper hook



Upper hook

Item	Reference	Description	Observation	Quantity
1	<u>VT0004903</u>	Frame - Brake side	Single brake	1
2	<u>VT0004555</u>	Frame - Motor side	Standard : Single brake & double brakes GLS : Double brakes	1
3	<u>VT0004857</u>	Sealings set		1
4	<u>VT0006454</u>	Cable gland set flat cable Square cable entry	12G1.5/4G2.5/4G6mm2 - ISO 25	1
4	<u>VT0006326</u>	Cable gland set Square cable entry	Flat cable 4G2.5	1
4	<u>VT0006393</u>	Cable gland set Square cable entry	CG M20- ISO 20 Trolley - Power supply	1
5	<u>VT0005090</u>	Cable gland set Square cable entry	Push buttons	1
6	<u>VT0006089</u>	End cap Square cable entry		1
7	<u>VT0006327</u>	Screw set M6L147 - Brake side	Standard + GLS 2 Single brake	1
8	<u>VT0006328</u>	Screw set M6L161 - Motor side	Standard + GLS Single brake & Double brakes	1
9	<u>VT0006334</u>	Cover	Single brake	1
10	<u>VT0004964</u>	Chain bucket	8 m for 5x14 12 m for 4x11	1
10	<u>VT0006358</u>	Chain bucket	16 m for 5x14	1
10	<u>VT0006002</u>	Chain bucket	30 m for 5x14 50 m for/ 4x11 Industrial / Normal	1
11	<u>VT0004858</u>	Housing	Single brake	1
12	<u>VT0006335</u>	Cover set- Motor side		1
13	<u>VT0004860</u>	Fixing set of chain bucket	30 m – Industrial / Normal	1
14	<u>VT0004967</u>	Upper hook		1
15	<u>VT0007582</u>	Shaft set		1
15	<u>VT0004862</u>	Shaft set	Rotating + fixed upper hook	1
16	<u>VT0004968</u>	Safety latch set	Single brake – Standard safety hook 0,12T - 0,25T	1
17	<u>VT0006337</u>	Stickers of brand	Single brake	1
19	<u>VT0006336</u>	Cover set- Brake side	VERLINDE	1
	<u>VT0006026</u>	Identification plate	Serial number request	1
21	<u>VT0006091</u>	Set of 10 load plates	250 Kg	1
21	<u>VT0006449</u>	Set of 10 load plates	320 Kg	1
21	<u>VT0006048</u>	Set of 10 load plates	500 Kg	1
21	<u>VT0006049</u>	Set of 10 load plates	630 Kg	1

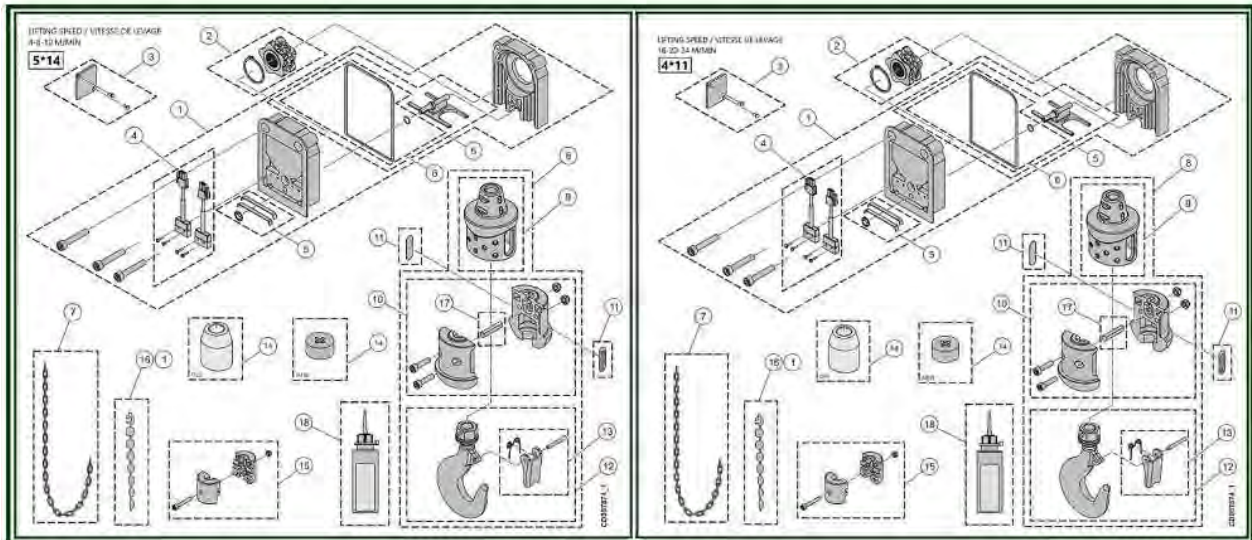
1.3. Electric trolley



Electric trolley

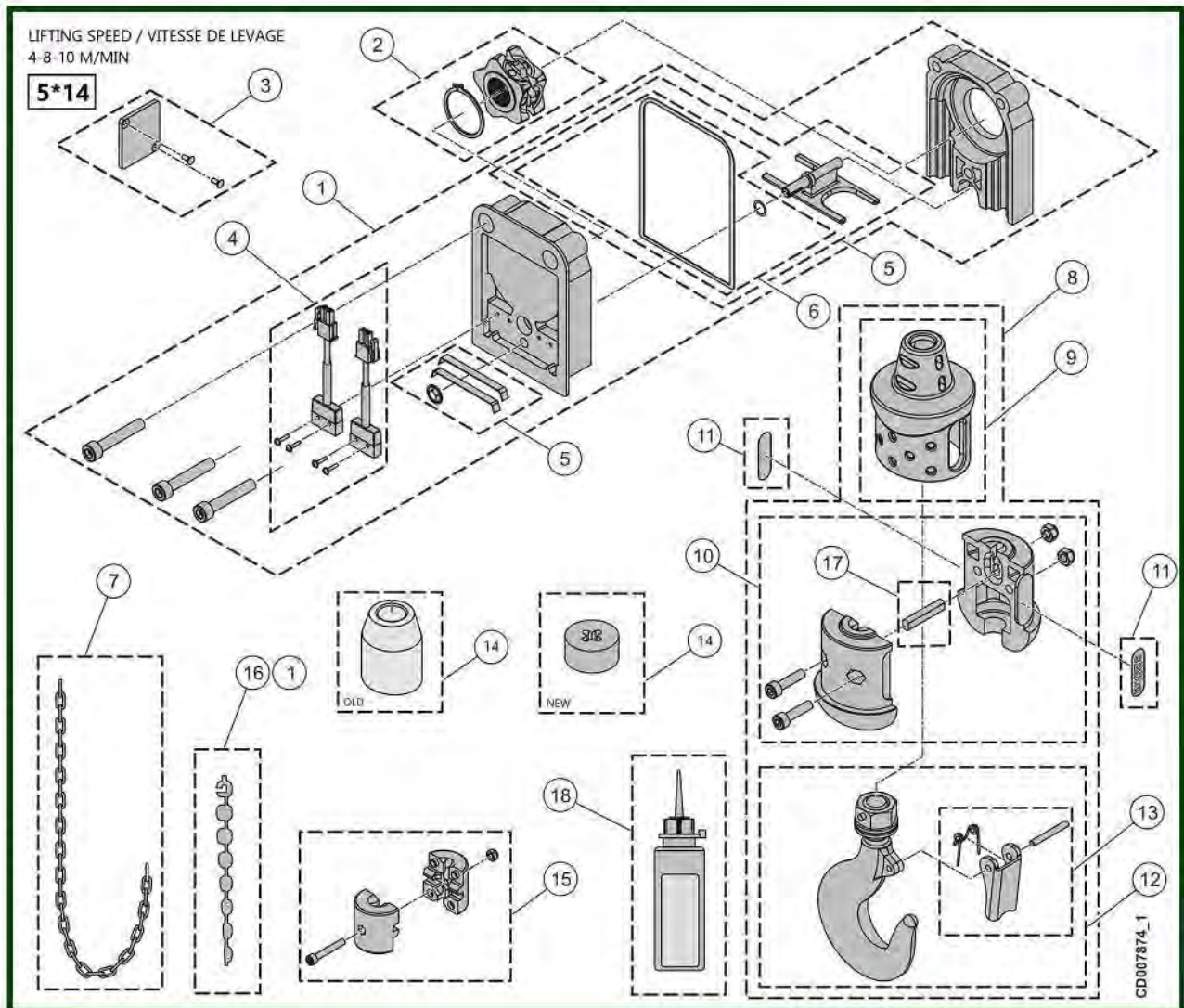
Item	Reference	Description	Observation	Quantity
1	<u>VT0004903</u>	Frame - Brake side	Single brake	1
2	<u>VT0004555</u>	Frame - Motor side	Standard : Single brake & double brakes GLS : Double brakes	1
3	<u>VT0004857</u>	Sealings set		1
4	<u>VT0006454</u>	Cable gland set flat cable Square cable entry	12G1.5/4G2.5/4G6mm2 - ISO 25	1
4	<u>VT0006326</u>	Cable gland set Square cable entry	Flat cable 4G2.5	1
4	<u>VT0006393</u>	Cable gland set Square cable entry	CG M20- ISO 20 Trolley-Power supply	1
5	<u>VT0005090</u>	Cable gland set Square cable entry	Push buttons	1
6	<u>VT0006089</u>	End cap Square cable entry		1
7	<u>VT0006327</u>	Screw set M6L147 - Brake side	Standard + GLS 2 comes Single brake	1
8	<u>VT0006328</u>	Screw set M6L161 - Motor side	Standard + GLS Single brake & Double brakes	1
9	<u>VT0006334</u>	Cover	Single brake	1
10	<u>VT0004964</u>	Chain bucket	8 m for 5x14 12 m for 4x11	1
10	<u>VT0006002</u>	Chain bucket	30 m for 5x14 50 m for 4x11 Industrial / Normal	1
11	<u>VT0004858</u>	Housing	Single brake	1
12	<u>VT0006335</u>	Cover set - Motor side		1
13	<u>VT0004860</u>	Fixing set of chain bucket	30 m – Industrial / Normal	1
14	<u>VT0006331</u>	Coupling part	Electric trolley	1
15	<u>VT0004862</u>	Shaft set		1
17	<u>VT0006337</u>	Stickers of brand	Single brake	1
18	<u>VT0006338</u>	Shaft set	Electric trolley	1
19	<u>VT0006336</u>	Cover set- Brake side	VERLINDE	1
	<u>VT0006091</u>	Set of 10 load plates	250 Kg	1
	<u>VT0006449</u>	Set of 10 load plates	320 Kg	1
	<u>VT0006048</u>	Set of 10 load plates	500 Kg	1
	<u>VT0006049</u>	Set of 10 load plates	630 Kg	1
	<u>VT0006026</u>	Identification plate	Serial number request	1

2. CHAIN GUIDE



2.1. Chain 5x14 + Hook block

Lifting speed : 4-8-10 m / min

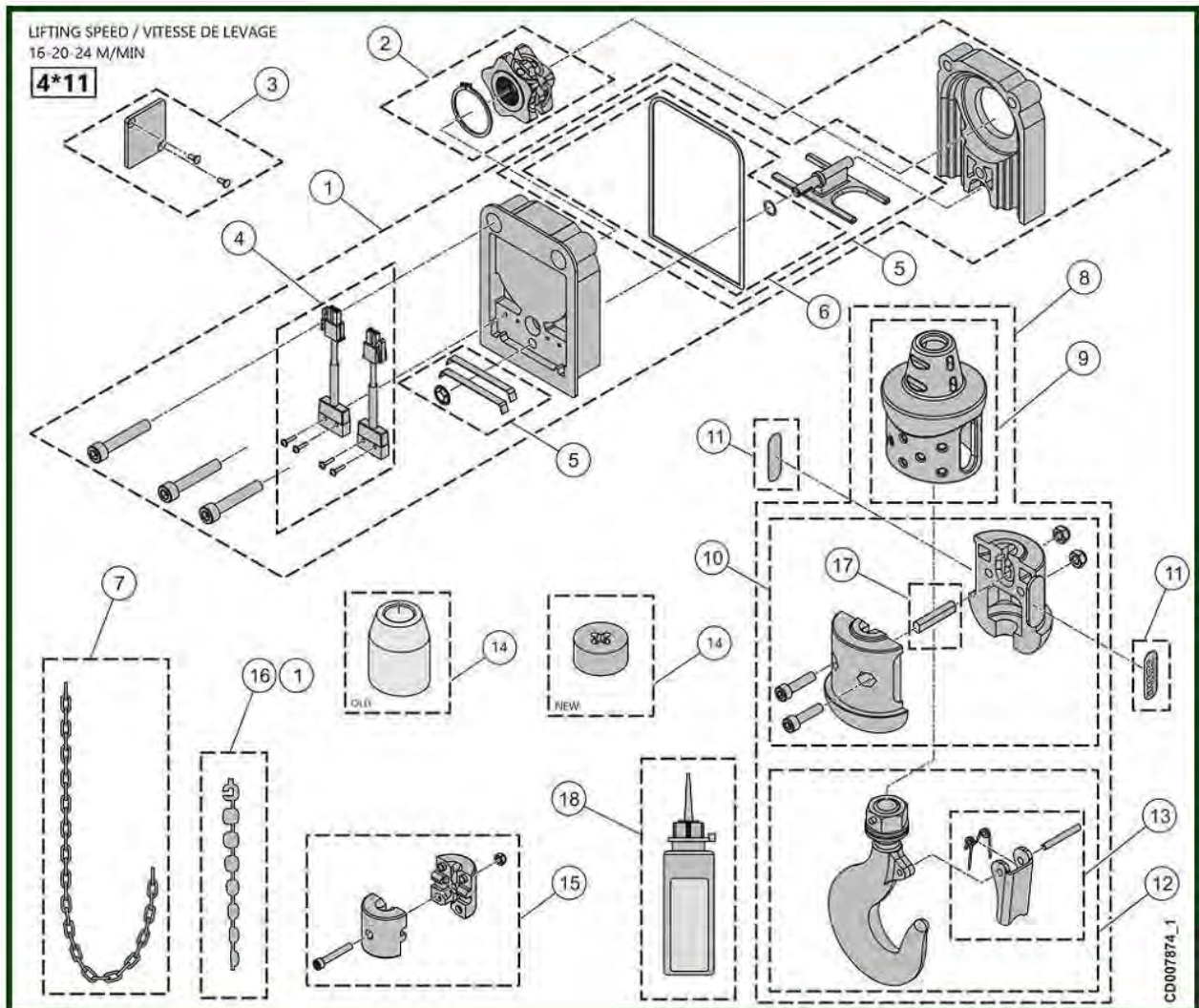


Chain 5x14 + Hook block

Item	Reference	Description	Observation	Quantity
1	<u>VT0004875</u>	Chain guide - Chain 5x14	Inverted version	1
2	<u>VT0005106</u>	Chain sprocket		1
3	<u>VT0004870</u>	Cap		1
4	<u>VT0004876</u>	Switch set		1
5	<u>VT0004872</u>	Limit switch activator		1
6	<u>VT0004871</u>	Sealings set		1
7	<u>VT0006343</u>	Stainless steel chain - 5x14		1
7	<u>VT0005109</u>	Galvanized standard chain - 5x14		1
8	<u>VT0006487</u>	Hook block- 1 fall	Stainless steel hook	1
8	<u>VT0004969</u>	Hook block- 1 fall	Standard safety hook	1
8	<u>VT0006488</u>	Hook block- 1 fall	Automatic hook	1
9	<u>VT0004971</u>	Rubber chain stop		1
10	<u>VT0004873</u>	Half casing set	Standard safety hook	1
11	<u>VT0006340</u>	Set of 10 load plates	250 Kg	1
11	<u>VT0006341</u>	Set of 10 load plates	320 Kg	1
11	<u>VT0006041</u>	Set of 10 load plates	500 Kg	1
11	<u>VT0006342</u>	Set of 10 load plates	630 Kg	1
12	<u>VT0006453</u>	Automatic hook		1
12	<u>VT0006452</u>	Stainless steel hook		1
12	<u>VT0004975</u>	Standard safety hook		1
13	<u>VT0004968</u>	Safety latch set	Single brake-Standard safety hook 0,12T-0,25T	1
14	<u>VT0004934</u>	Rubber chain stop Old model	Be careful : Never use as chain stop side hook	1
14	<u>VT0007024</u>	Rubber chain stop New model	Since 24/06/2015	1
15	<u>VT0004877</u>	Chain stop		1
16	<u>VT0005574</u>	Chain fitting tool		1
17	<u>VT0006240</u>	Shaft		1
18	<u>VT0006025</u>	Oil can		1

2.2. Chain 4x11 + Hooblock

Lifting speed : 16-20-24 m / min

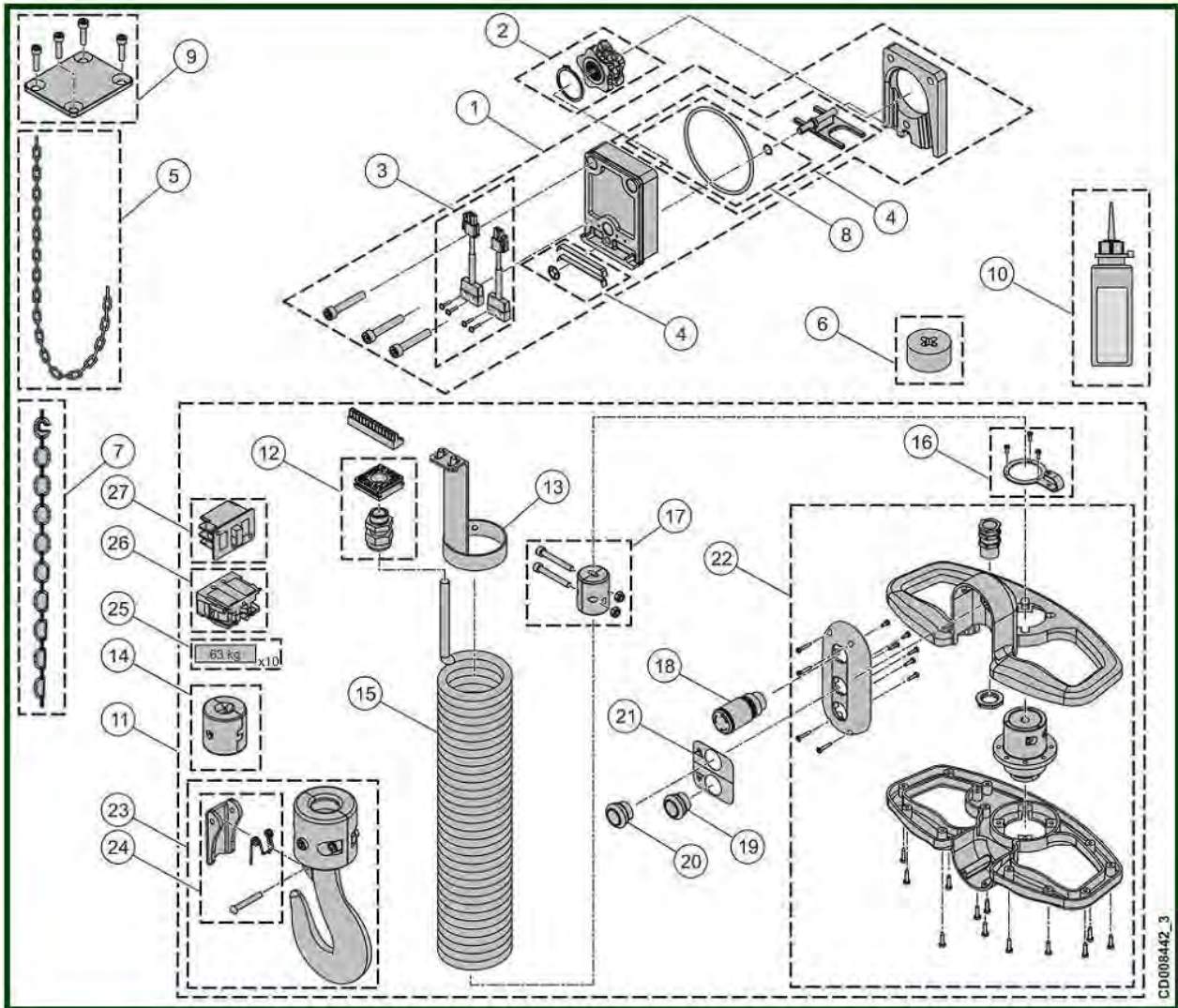


Chain 4x11 + Hooblock

Lifting speed : 16-20-24 m / min

Item	Reference	Description	Observation	Quantity
1	<u>VT0005111</u>	Chain guide- Chain 4x11		1
2	<u>VT0005110</u>	Chain sprocket		1
3	<u>VT0004870</u>	Cap	Chain guide	1
4	<u>VT0004876</u>	Switch set		1
5	<u>VT0004872</u>	Limit switch activator		1
6	<u>VT0004871</u>	Sealings set		1
7	<u>VT0005076</u>	Galvanized chain- 4x11	Standard	1
7	<u>VT0006274</u>	Stainless steel chain- 4x11	Be careful : hoist downgraded	1
8	<u>VT0006490</u>	Hook block- 1 fall	Automatic hook	1
8	<u>VT0006489</u>	Hook block- 1 fall	Stainless steel hook	1
8	<u>VT0004928</u>	Hook block- 1 fall	Standard safety hook	1
9	<u>VT0004930</u>	Rubber chain stop		1
10	<u>VT0004725</u>	Half casing set		1
11	<u>VT0006346</u>	Set of 10 load plates	250 Kg	1
11	<u>VT0006347</u>	Set of 10 load plates	320 Kg	1
12	<u>VT0006455</u>	Hook assembly	BE CAREFUL : Stainless steel chain The max load have to be decreased	1
12	<u>VT0004926</u>	Hook assembly	Standard	1
12	<u>VT0006427</u>	Lower hook assembly	Automatic - 1+2 falls	1
13	<u>VT0004927</u>	Safety latch set	Standard safety hook (VT0005901)	1
14	<u>VT0004934</u>	Rubber chain stop Old model	BE CAREFUL: Never use as chain stop side hook	1
14	<u>VT0007576</u>	Rubber chain stop	Since 17/06/2015	1
15	<u>VT0004878</u>	Chain stop		1
16	<u>VT0005573</u>	Chain fitting tool	CHCM-011	1
17	<u>VT0006093</u>	Pin		1
18	<u>VT0006025</u>	Oil can		1

2.3. Chain 5x14 – Digichain



Chain 5x14 – Digichain

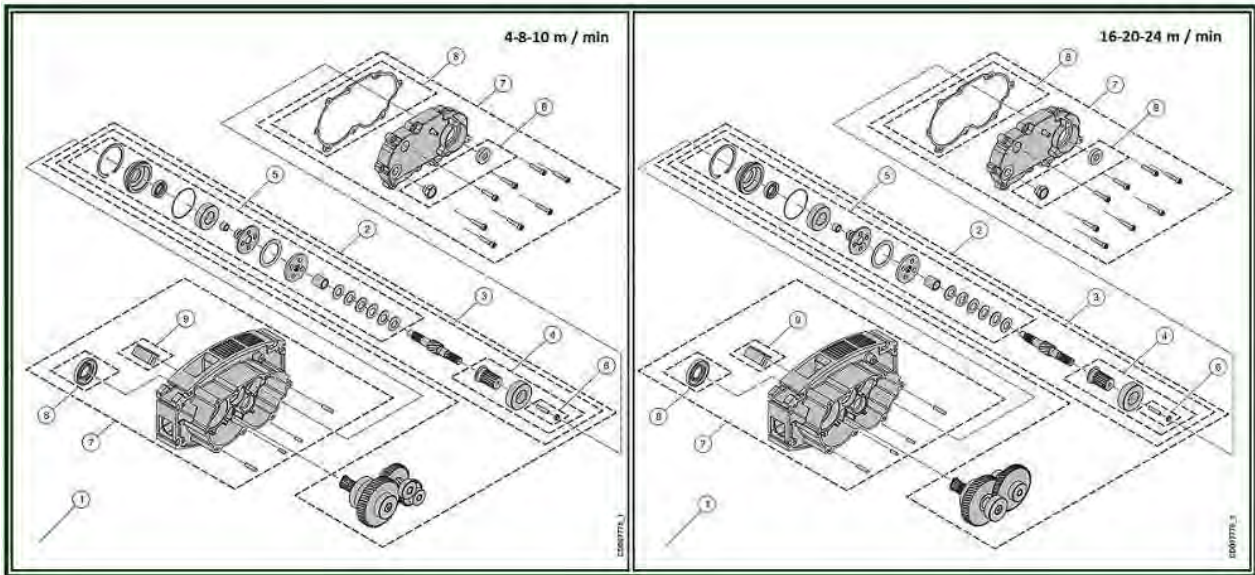
Item	Reference	Description	Observation	Quantity
1	<u>VT0004875</u>	Chain guide - Chain 5x14	Inverted version	1
2	<u>VT0005106</u>	Chain sprocket		1
3	<u>VT0004876</u>	Switch set		1
4	<u>VT0004872</u>	Limit switch activator		1
5	<u>VT0006343</u>	Stainless steel chain - 5x14		1
5	<u>VT0005109</u>	Galvanized standard chain - 5x14		1
6	<u>VT0007024</u>	Rubber chain stop	Since 24/06/2015	1
7	<u>VT0005574</u>	Chain fitting tool		1
8	<u>VT0004871</u>	Sealings set		1
9	<u>VT0004870</u>	Cap	Chain guide	1
10	<u>VT0006025</u>	Oil can		1
11	<u>VT0006333</u>	Sub assy Digichain	Lg 3 m	1
11	<u>VT0009238</u>	Sub assy Digichain	Lg 5 m	1
12	<u>VT0006393</u>	Cable gland set Square cable entry	CG M20- ISO 20 Trolley-Power supply	1
13	<u>VT0009203</u>	Fixing set	D70H148	1
14	<u>VT0004877</u>	Chain stop		1
15	<u>VT0009205</u>	Spiral cable	Lg 3m	1
15	<u>VT0009206</u>	Spiral cable	Lg 5m	1
16	<u>VT0008839</u>	Fixing plate		1
17	<u>VT0009207</u>	Coupling set	D35H45	1
18	<u>VT0006548</u>	Emergency push button		1
19	<u>VT0009208</u>	White button	XACA9411	1
20	<u>VT0009209</u>	Push button	XACA9412	1
21	<u>VT0009210</u>	Up & down sticker	CCGCPBPB-00	1
22	<u>VT0009211</u>	Pendant box module	CC05PBPB-01	1
23	<u>VT0009014</u>	Standard safety hook	RSN020T-HCH	1
24	<u>VT0004968</u>	Safety latch set	Single brake - 0,12T-0,25T Standard safety hook	1

25	<u>VT0009164</u>	Set of 10 load plates	63 kg	1
25	<u>VT0009165</u>	Set of 10 load plates	80 kg	1
25	<u>VT0009166</u>	Set of 10 load plates	125 kg	1
25	<u>VT0009167</u>	Set of 10 load plates	160 kg	1
25	<u>VT0009168</u>	Set of 10 load plates	250 kg	1
25	<u>VT0009169</u>	Set of 10 load plates	320 kg	1
25	<u>VT0009170</u>	Set of 10 load plates	500 kg	1
26	<u>VT0009212</u>	Contact block	XAC-S 414	1
27	<u>VT0007879</u>	Contact block	XENG1191	1

2.4 Precut chain

Item	Reference	Description	Observation	Quantity
	<u>53020235</u>	Galvanized load chain 4x11	4 m	1
	<u>53020251</u>	Galvanized load chain 4x11	6 m	1
	<u>53020218</u>	Galvanized load chain 5x14	3,5 m	1
	<u>53020220</u>	Galvanized load chain 5x14	5 m	1
	<u>53020221</u>	Galvanized load chain 5x14	10 m	1

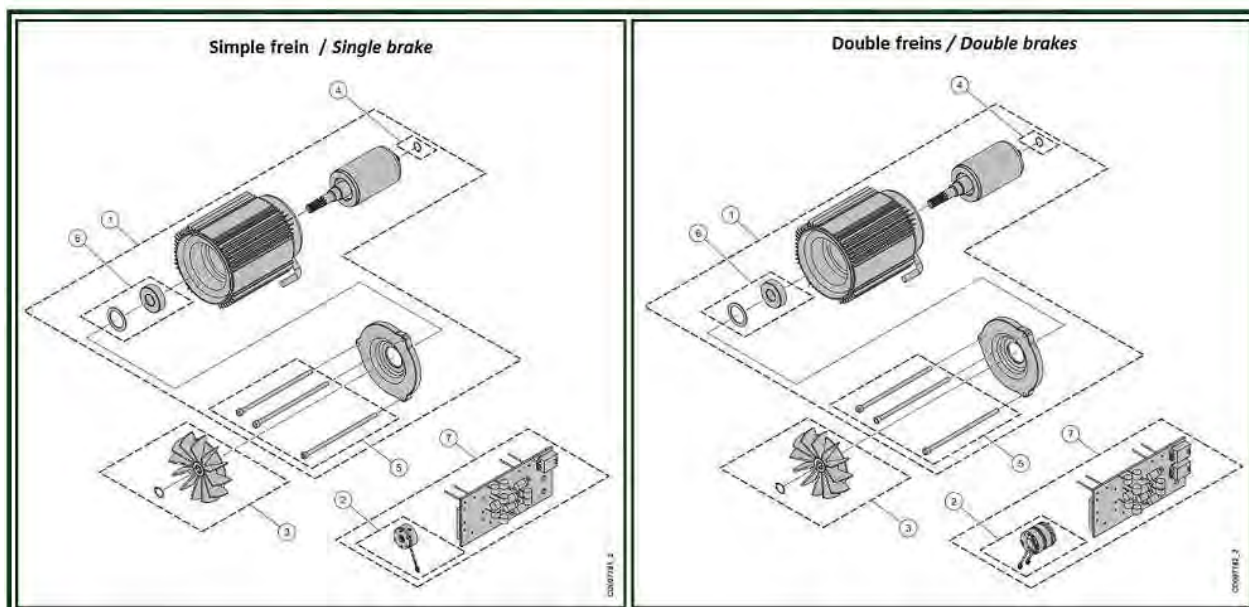
3. GEAR



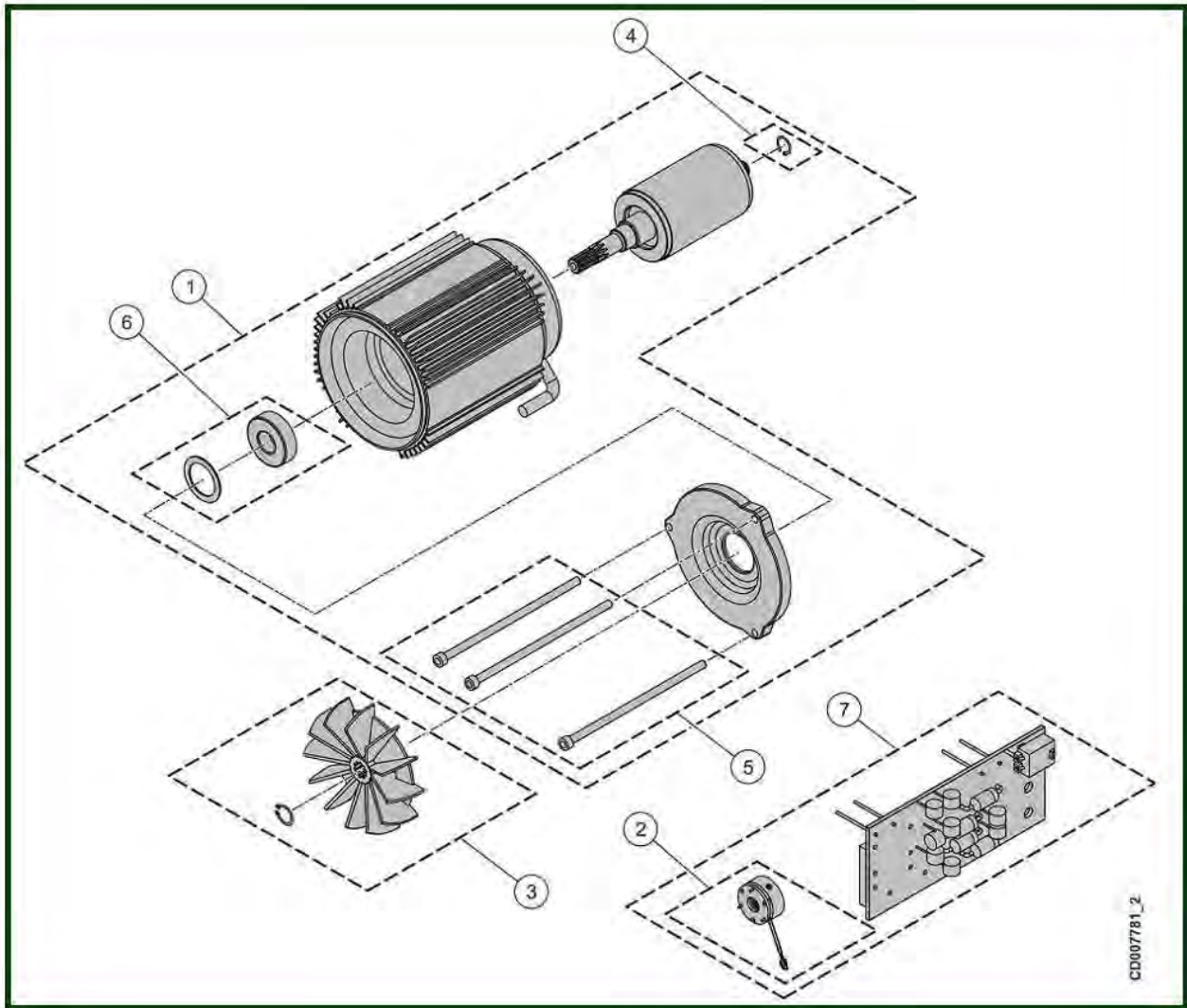
Gear

Item	Reference	Description	Observation	Quantity
1	<u>VT0006456</u>	Gear assembly - Single brake	4-8 m/min	1
1	<u>VT0006457</u>	Gear assembly - Single brake	10 m/min	1
1	<u>VT0006458</u>	Gear assembly - Single brake	16 m/min	1
1	<u>VT0006459</u>	Gear assembly - Single brake	20 m/min	1
1	<u>VT0006460</u>	Gear assembly - Single brake	24 m/min	1
1	<u>VT0006498</u>	Gear assembly - Double brakes	4-8 m/min	1
1	<u>VT0006499</u>	Gear assembly - Double brakes	10 m/min	1
1	<u>VT0006500</u>	Gear assembly - Double brakes	16 m/min	1
1	<u>VT0006501</u>	Gear assembly - Double brakes	20 m/min	1
1	<u>VT0006502</u>	Gear assembly - Double brakes	24 m/min	1
2	<u>VT0006468</u>	Gear / Pinion set - Single brake	8 m/min	1
2	<u>VT0006470</u>	Gear / Pinion set - Single brake	16 m/min	1
2	<u>VT0006469</u>	Gear / Pinion set - Single brake	10 m/min	1
2	<u>VT0006471</u>	Gear / Pinion set - Single brake	20 m/min	1
2	<u>VT0006472</u>	Gear / Pinion set - Single brake	24 m/min	1
2	<u>VT0006463</u>	Gear / Pinion set - Double brakes	4-8 m/min	1
2	<u>VT0006464</u>	Gear / Pinion set - Double brakes	10 m/min	1
2	<u>VT0006465</u>	Gear / Pinion set - Double brakes	16 m/min	1
2	<u>VT0006466</u>	Gear / Pinion set - Double brakes	20 m/min	1
2	<u>VT0006467</u>	Gear / Pinion set - Double brakes	24 m/min	1
3	<u>VT0004885</u>	Gear shaft with clutch - Single brake	8m/min	1
3	<u>VT0006503</u>	Gear shaft with clutch - Double brakes	8m/min	1
4	<u>VT0004886</u>	Coupling- Brake side - Single brake		1
4	<u>VT0006504</u>	Coupling- Brake side - Double brakes		1
5	<u>VT0004887</u>	Clutch		1
6	<u>VT0006107</u>	Screw set		1
7	<u>VT0004888</u>	Frame		1
8	<u>VT0004890</u>	Sealings set	Standard	1
9	<u>VT0004976</u>	Rubber		1

4. MOTOR



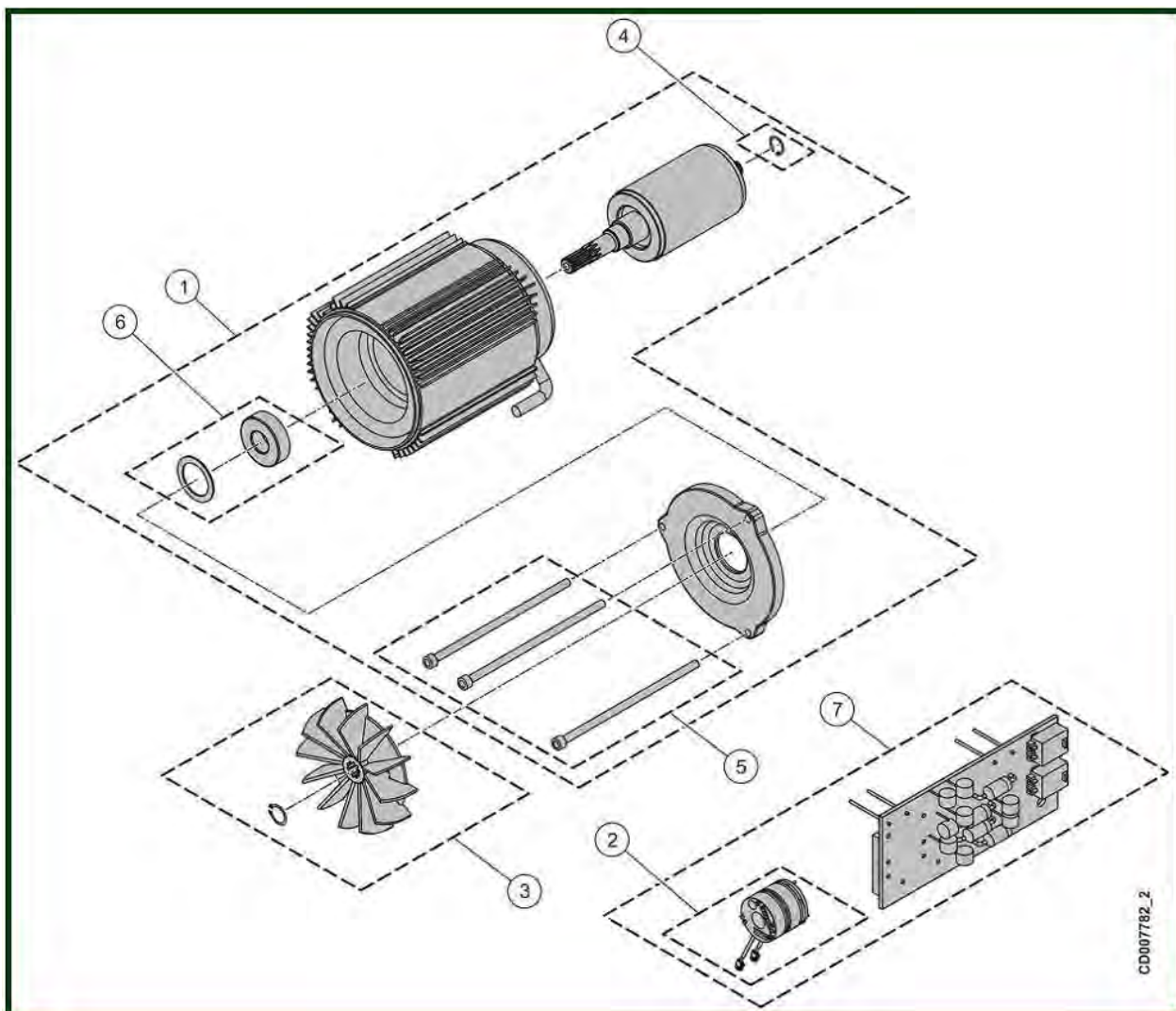
4.1. Single brake



Single brake

Item	Reference	Description	Observation	Quantity
1	<u>VT0007722</u>	Motor - 2 speeds 208-230V 60 Hz	4 m/min	1
1	<u>VT0006483</u>	Motor - 2 speeds 220-240V 50 Hz	4 m/min	1
1	<u>VT0007721</u>	Motor - 2 speeds 380-400V 60 Hz	4 m/min	1
1	<u>VT0007720</u>	Motor - 2 speeds 500-525V/50 Hz 575-600V 60Hz	4 m/min	1
1	<u>VT0006280</u>	Motor - 2 speeds 208-230V 60Hz	8-10-16-20 m/min	1
1	<u>VT0006478</u>	Motor - 2 speeds 380-400V 60HZ	8-10-16-20 m/min	1
1	<u>VT0006482</u>	Motor - 2 speeds 380-415V 50Hz 440-480V 60Hz	4 m/min (1500/750tr/min) (1800/900tr/min)	1
1	<u>VT0006477</u>	Motor - 2 speeds 220-240V 50Hz	8-10-16-20 m/min (3000/750tr/min)	1
1	<u>VT0004892</u>	Motor - 2 speeds 380-415V 50Hz 440-480V 60Hz	8-10-16-20 m/min (3000/750tr/min) (3600/900tr/min)	1
1	<u>VT0006479</u>	Motor - 2 speeds 500-525V 50Hz 575-600V 60Hz	8-10-16-20 m/min	1
2	<u>VT0004661</u>	Single brake	103-230V	1
2	<u>VT0004979</u>	Single brake	190-400V	1
2	<u>VT0006473</u>	Single brake	255-500V	1
2	<u>VT0006474</u>	Single brake	320-690V	1
3	<u>VT0004891</u>	Fan set		1
4	<u>VT0004977</u>	Retaining ring		1
5	<u>VT0006485</u>	Screw set	M6x160	1
6	<u>VT0006569</u>	Bearing set		1
7	<u>VT0006187</u>	Single brake + rectifier	103V	1
7	<u>VT0006262</u>	Single brake + rectifier	190V	1

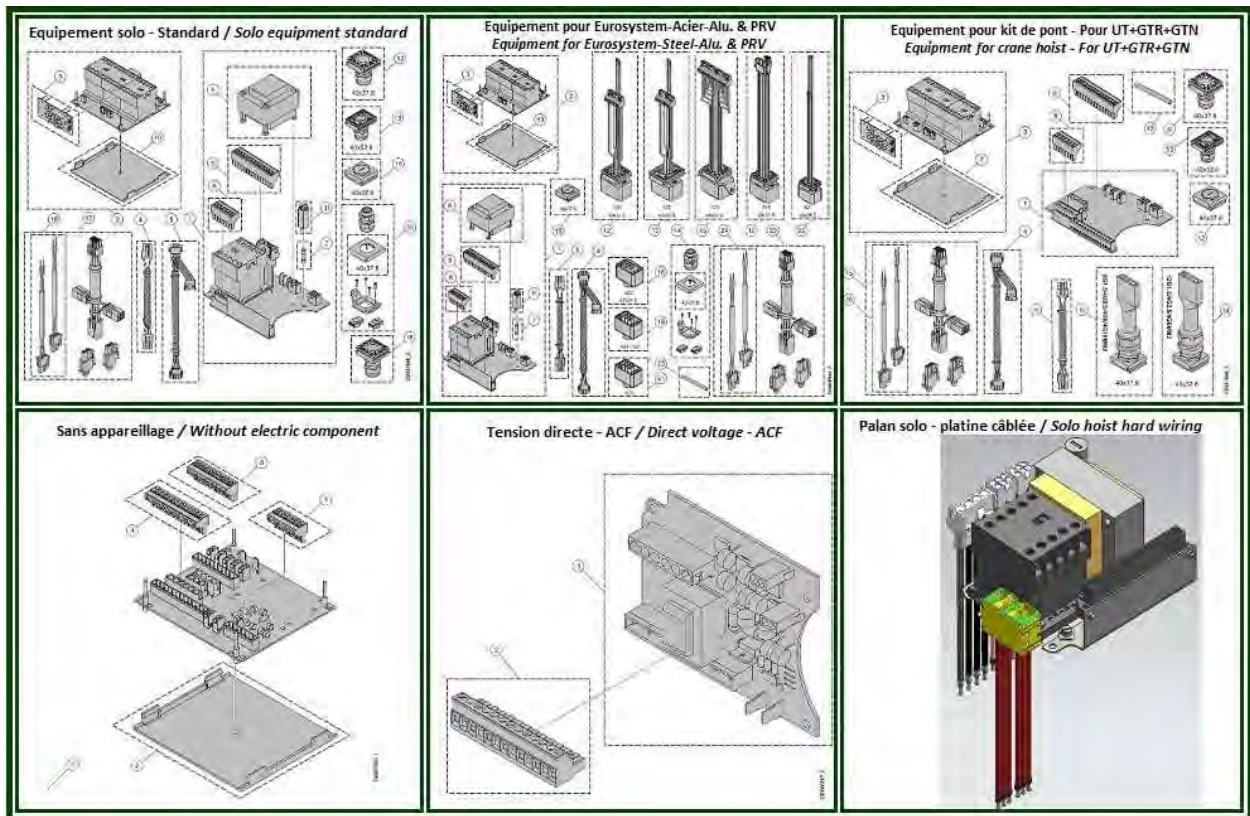
4.2. Double brakes



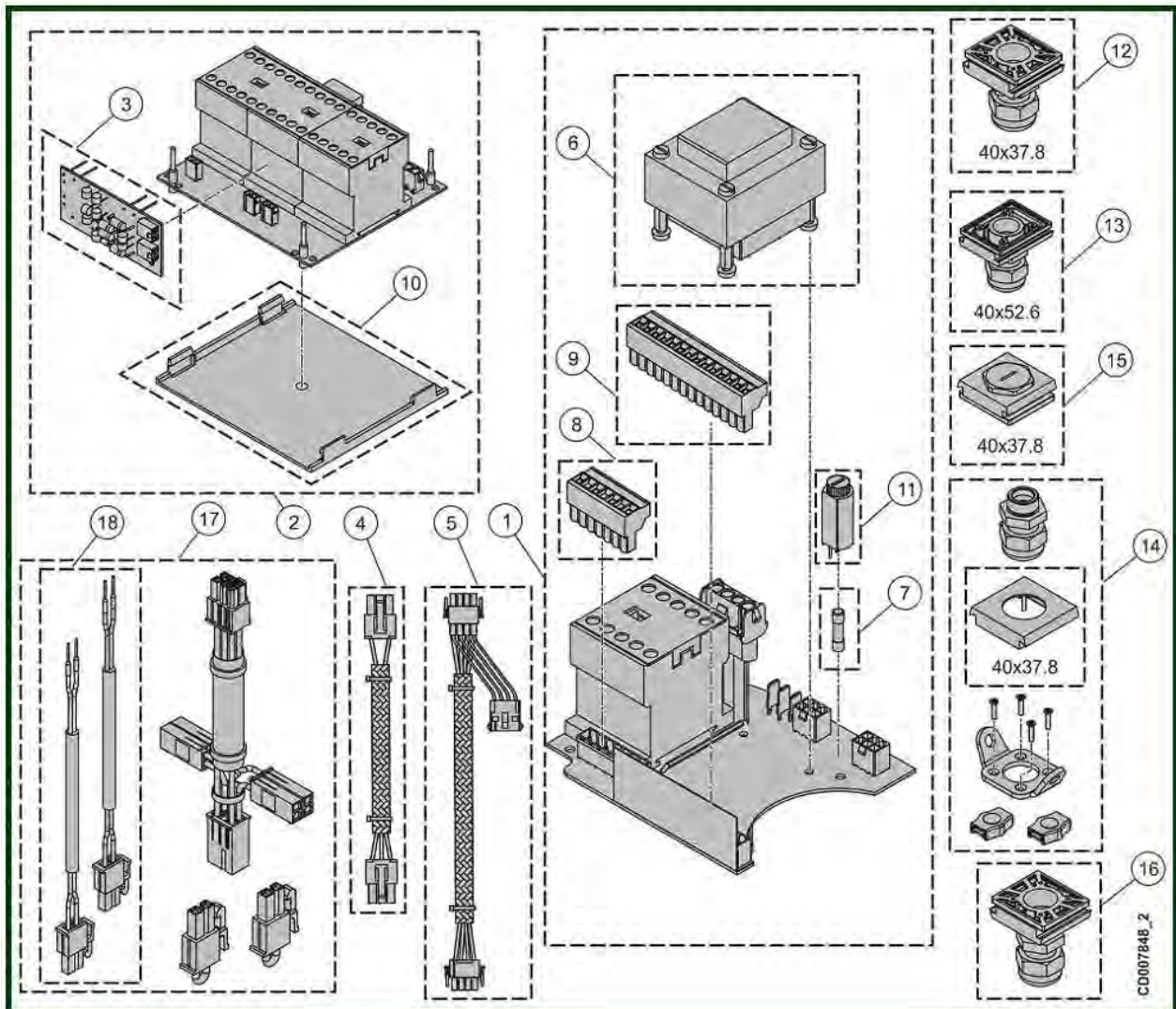
Double brakes

Item	Reference	Description	Observation	Quantity
1	VT0007722	Motor - 2 speeds 208-230V 60 Hz	4 m/min	1
1	VT0006483	Motor - 2 speeds 220-240V 50 Hz	4 m/min	1
1	VT0007721	Motor - 2 speeds 380-400V 60 Hz	4 m/min	1
1	VT0007720	Motor - 2 speeds 500-525V/50 Hz 575-600V 60Hz	4 m/min	1
1	VT0006280	Motor - 2 speeds 208-230V 60Hz	8-10-16-20 m/min	1
1	VT0006478	Motor - 2 speeds 380-400V 60HZ	8-10-16-20 m/min	1
1	VT0006482	Motor - 2 speeds 380-415V 50Hz 440-480V 60Hz	4 m/min (1500/750tr/min) (1800/900tr/min)	1
1	VT0006477	Motor - 2 speeds 220-240V 50Hz	8-10-16-20 m/min (3000/750tr/min)	1
1	VT0004892	Motor - 2 speeds 380-415V 50H 440-480V 60Hz	8-10-16-20 m/min (3000/750tr/min) (3600/900tr/min)	1
1	VT0006479	Motor - 2 speeds 500-525V 50Hz 575-600V 60Hz	8-10-16-20 m/min	1
2	VT0006259	Double brakes	103-230V	1
2	VT0006258	Double brakes	190-400V	1
2	VT0006475	Double brakes	255-500V	1
2	VT0006476	Double brakes	320-690V	1
3	VT0004891	Fan set		1
4	VT0004977	Retaining ring		1
5	VT0006485	Screw set	M6x160	1
6	VT0006569	Bearing set		1
7	VT0006264	Double brakes + rectifier	103V	1
7	VT0006263	Double brakes + rectifier	190V	1

5. ELECTRICAL PARTS



5.1. Solo Equipment– Standard

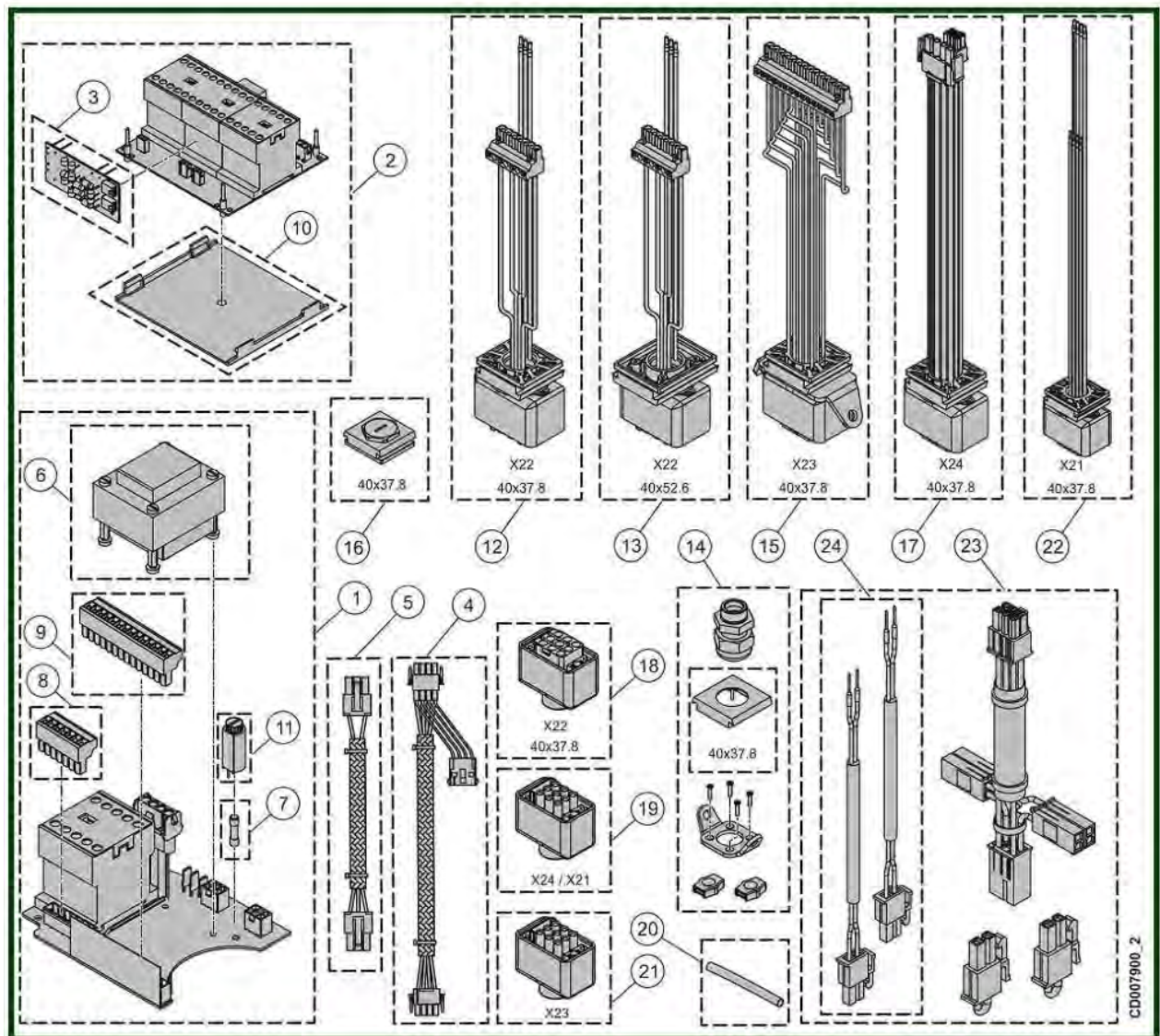


Solo equipment – Standard

Item	Reference	Description	Observation	Quantity
1	<u>VT0006431</u>	Power supply PC Board- Solo hoist	208V 230V / 110V CI/PC - Standard	1
1	<u>VT0006430</u>	Power supply PC Board- Solo hoist	230V / 48V CI/PC - Standard	1
1	<u>VT0004944</u>	Power supply PC Board- Solo hoist	400V / 24V CI/PC BOARD	1
1	<u>VT0004942</u>	Power supply PC Board- Solo hoist	400V / 48V CI/PC BOARD	1
1	<u>VT0005312</u>	Power supply PC Board- Solo hoist	400V / 110V CI/PC BOARD	1
1	<u>VT0005313</u>	Power supply PC Board- Solo hoist	400V / 230V CI/PC BOARD	1
1	<u>VT0006432</u>	Power supply PC Board- Solo hoist	460V / 48V CI/PC BOARD	1
1	<u>VT0006433</u>	Power supply PC Board- Solo hoist	460V / 110V CI/PC BOARD	1
1	<u>VT0006434</u>	Power supply PC Board- Solo hoist	500V / 48V CI/PC BOARD	1
1	<u>VT0006446</u>	Power supply PC Board- Solo hoist	500V / 110V CI/PC BOARD	1
1	<u>VT0006435</u>	Power supply PC Board- Solo hoist	575V / 48V CI/PC BOARD	1
1	<u>VT0006447</u>	Power supply PC Board- Solo hoist	575V / 110V CI/PC BOARD	1
2	<u>VT0005302</u>	Electrical board 2 speeds- 1 brake	230V-690V / 24V / 50 60Hz	1
2	<u>VT0004945</u>	Electrical board 2 speeds- 1 brake	230V-690V / 48V / 50 60Hz	1
2	<u>VT0005303</u>	Electrical board 2 speeds- 1 brake	230V-690V / 110V / 50 60Hz	1
2	<u>VT0005304</u>	Electrical board 2 speeds- 1 brake	230V-690V/ 230V / 50 60Hz	1
2	<u>VT0005305</u>	Electrical board 2 speeds- 2 brakes	230V-690V / 24V /50 60Hz	1
2	<u>VT0005306</u>	Electrical board 2 speeds- 2 brakes	230V-690V / 48V / 50 60Hz	1
2	<u>VT0005307</u>	Electrical board 2 speeds- 2 brakes	230V-690V / 50-60Hz	1
2	<u>VT0005308</u>	Electrical board 2 speeds- 2 brakes	230V-690V/ 230V / 50 60Hz	1
3	<u>VT0004946</u>	Rectifier- 1 brake	230V-690V	1
3	<u>VT0004947</u>	Rectifier- 2 brakes	230V-690V	1
3	<u>VT0004948</u>	Reconnectable rectifier	208V-690V	1
4	<u>VT0004949</u>	Wire harness - Plug control voltage		1
5	<u>VT0004950</u>	Wire harness - Plug power voltage		1

6	<u>VT0006439</u>	Transformer	208V 230V / 115V	1
6	<u>VT0006325</u>	Transformer	230V / 48V	1
6	<u>VT0004952</u>	Transformer	400V / 24V	1
6	<u>VT0004953</u>	Transformer	400V / 48V - 50/60Hz	1
6	<u>VT0004951</u>	Transformer	400V / 115V - 50/60Hz	1
6	<u>VT0004954</u>	Transformer	400V / 230V	1
6	<u>VT0006437</u>	Transformer	460V / 48V	1
6	<u>VT0006440</u>	Transformer	460V / 110V 50/60Hz	1
6	<u>VT0006436</u>	Transformer	500V / 48V	1
6	<u>VT0006438</u>	Transformer	575V / 48V	1
6	<u>VT0008540</u>	Transformer	575V / 110V	1
7	<u>VT0004915</u>	Set of 10 fuses	48V	1
7	<u>VT0004955</u>	Set of 10 fuses	115V	1
7	<u>VT0008541</u>	Set of 10 fuses	230V	1
8	<u>VT0005107</u>	Connector	4P	1
9	<u>VT0005108</u>	Pendant connector	14P	1
10	<u>VT0006441</u>	Insulation plate		1
11	<u>VT0006191</u>	Fuses base		1
12	<u>VT0006393</u>	Cable gland set Square cable entry	CG M20- ISO 20 Trolley - Power supply	1
14	<u>VT0005090</u>	Cable gland set Square cable entry	Push buttons	1
15	<u>VT0006089</u>	End cap Square cable entry		1
16	<u>VT0006326</u>	Cable gland set Square cable entry	Flat cable 4G2.5	1
17	<u>VT0008551</u>	Set of connection GLS	FDC MS +GLS	1
18	<u>VT0008550</u>	GLS cable	Quantity : 2 for 2 or 4 for 4	1
-	<u>VT0006967</u>	Time counter		1

5.2. Equipment for Eurosystem - Steel-Alu. & PRV

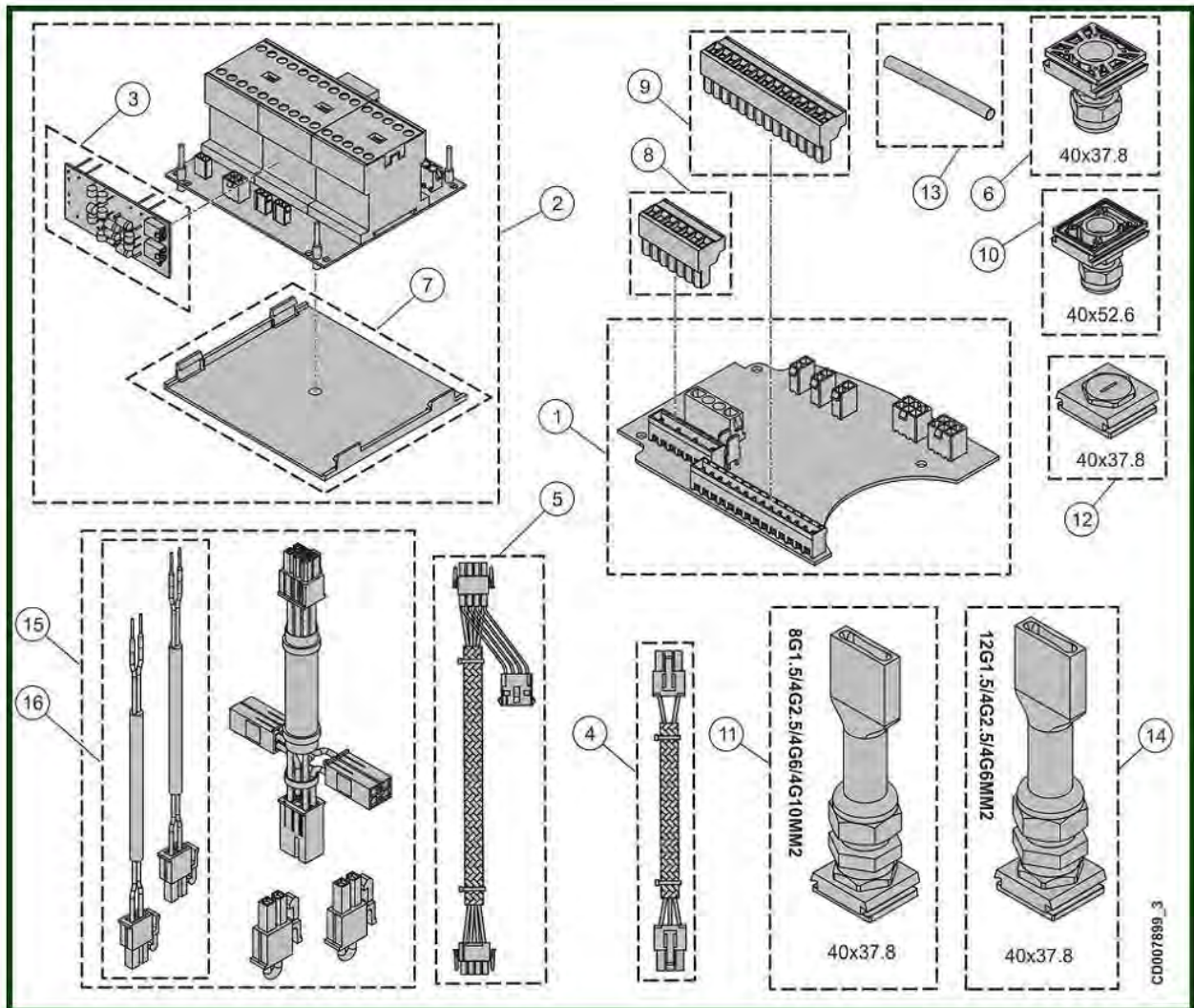


Equipment for Eurosystem - Steel-Alu. & PRV

Item	Reference	Description	Observation	Quantity
1	<u>VT0006431</u>	Power supply PC Board- Solo hoist	208V 230V / 110V CI/PC - Standard	1
1	<u>VT0006430</u>	Power supply PC Board- Solo hoist	230V / 48V CI/PC - Standard	1
1	<u>VT0004944</u>	Power supply PC Board- Solo hoist	400V / 24V CI/PC BOARD	1
1	<u>VT0004942</u>	Power supply PC Board- Solo hoist	400V / 48V CI/PC BOARD	1
1	<u>VT0005312</u>	Power supply PC Board- Solo hoist	400V / 110V CI/PC BOARD	1
1	<u>VT0005313</u>	Power supply PC Board- Solo hoist	400V / 230V CI/PC BOARD	1
1	<u>VT0006432</u>	Power supply PC Board- Solo hoist	460V / 48V CI/PC BOARD	1
1	<u>VT0006433</u>	Power supply PC Board- Solo hoist	460V / 110V CI/PC BOARD	1
1	<u>VT0006434</u>	Power supply PC Board- Solo hoist	500V / 48V CI/PC BOARD	1
1	<u>VT0006446</u>	Power supply PC Board- Solo hoist	500V / 110V CI/PC BOARD	1
1	<u>VT0006435</u>	Power supply PC Board- Solo hoist	575V / 48V CI/PC BOARD	1
1	<u>VT0006447</u>	Power supply PC Board- Solo hoist	575V / 110V CI/PC BOARD	1
2	<u>VT0005302</u>	Electrical board 2 speeds - 1 brake	230V-690V / 24V / 50 60Hz	1
2	<u>VT0004945</u>	Electrical board 2 speeds - 1 brake	230V-690V / 48V / 50 60Hz	1
2	<u>VT0005303</u>	Electrical board 2 speeds - 1 brake	230V-690V / 110V / 50 60Hz	1
2	<u>VT0005304</u>	Electrical board 2 speeds - 1 brake	230V-690V/ 230V / 50 60Hz	1
2	<u>VT0005305</u>	Electrical board 2 speeds - 2 brakes	230V-690V / 24V /50 60Hz	1
2	<u>VT0005306</u>	Electrical board 2 speeds - 2 brakes	230V-690V / 48V / 50 60Hz	1
2	<u>VT0005307</u>	Electrical board 2 speeds - 2 brakes	230V-690V / 50-60Hz	1
2	<u>VT0005308</u>	Electrical board 2 speeds - 2 brakes	230V-690V/ 230V / 50 60Hz	1
3	<u>VT0004946</u>	Rectifier - 1 brake	230V-690V	1
3	<u>VT0004947</u>	Rectifier - 2 brakes	230V-690V	1
4	<u>VT0004949</u>	Wire harness - Plug control voltage		1
5	<u>VT0004950</u>	Wire harness - Plug power voltage		1

6	<u>VT0006439</u>	Transformer	208V 230V / 115V	1
6	<u>VT0006325</u>	Transformer	230V / 48V	1
6	<u>VT0004952</u>	Transformer	400V / 24V	1
6	<u>VT0004953</u>	Transformer	400V / 48V - 50/60Hz	1
6	<u>VT0004951</u>	Transformer	400V / 115V - 50/60Hz	1
6	<u>VT0004954</u>	Transformer	400V / 230V	1
6	<u>VT0006437</u>	Transformer	460V / 48V	1
6	<u>VT0006440</u>	Transformer	460V / 110V 50/60Hz	1
6	<u>VT0006436</u>	Transformer	500V / 48V	1
6	<u>VT0006438</u>	Transformer	575V / 48V	1
6	<u>VT0008540</u>	Transformer	575V / 110V	1
7	<u>VT0004915</u>	Set of 10 fuses	48V	1
7	<u>VT0004955</u>	Set of 10 fuses	115V	1
7	<u>VT0008541</u>	Set of 10 fuses	230V	1
8	<u>VT0005107</u>	Connector	4P	1
9	<u>VT0005108</u>	Pendant connector	14P	1
10	<u>VT0006441</u>	Insulation plate		1
11	<u>VT0006191</u>	Fuses base		1
12	<u>VT0007798</u>	Power supply connector set Square	X22 Hoist side	1
13	<u>VT0007574</u>	Power supply connector set Rectangular	X22 Hoist side Only VR2	1
14	<u>VT0005090</u>	Cable gland set Square cable entry	Push buttons	1
15	<u>VT0007224</u>	Push button connector set	X23 Side hoist Movable push button only	1
16	<u>VT0006089</u>	End cap - Square cable entry		1
17	<u>VT0006971</u>	Kit connector - Trolley	X24 - Hoist side	1
18	<u>VT0007804</u>	Kit connector - Power supply	X22 - Side flat cable	1
19	<u>VT0007805</u>	Kit connector - Trolley	X24 - Side flat cable	1
20	<u>VT0007781</u>	Head shrinkable tube		1
21	<u>VT0007806</u>	Push button connector set	X23 Movable push button only	1
22	<u>VT0008135</u>	Crane cubicle connector set	X21 Hoist side	1
23	<u>VT0008551</u>	Set of connection GLS	FDC + GLS	1
24	<u>VT0008550</u>	GLS cable	Quantity : 2 for 2 or 4 for 4	1
-	<u>VT0006967</u>	Time counter		1

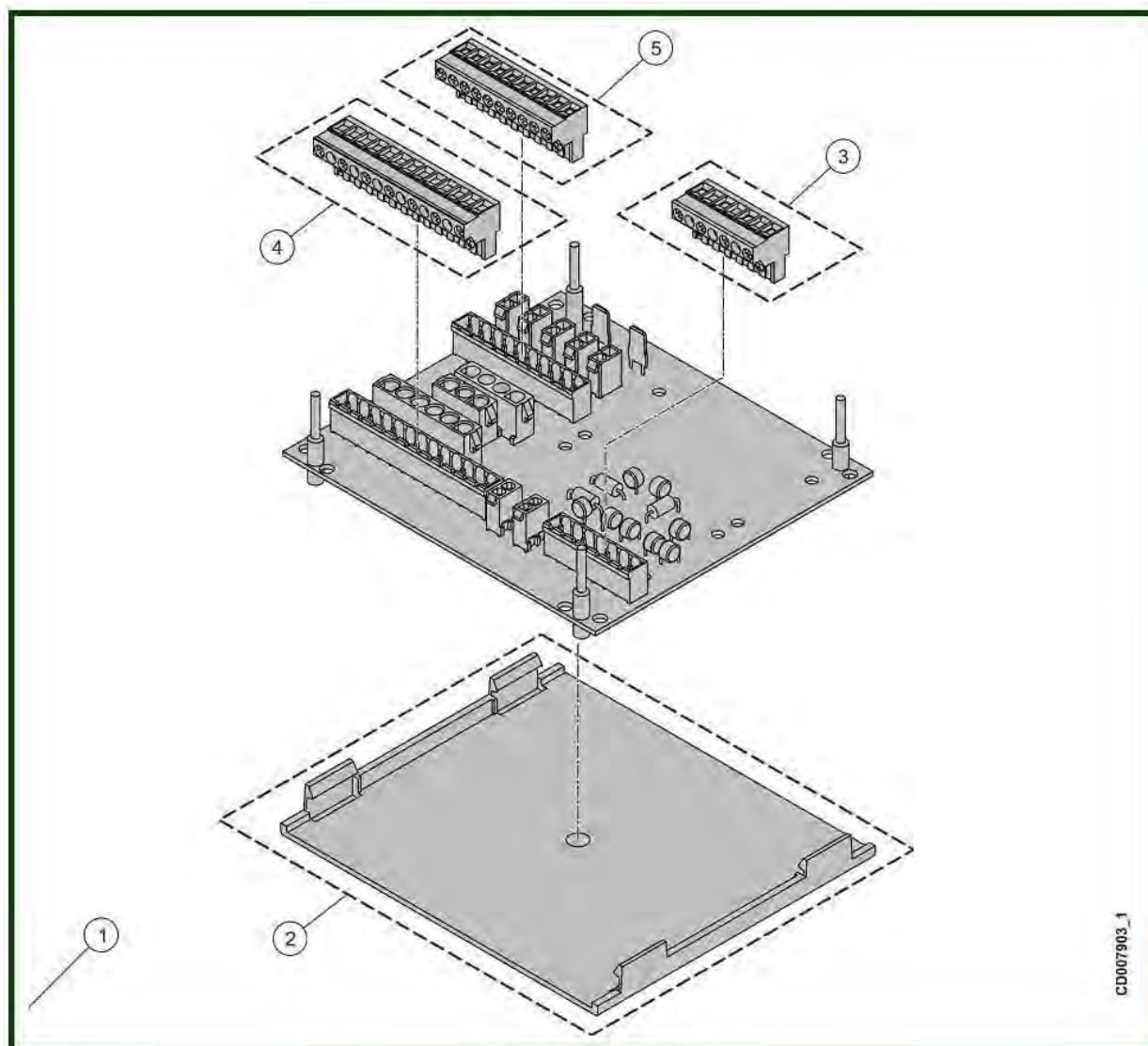
5.3. Equipment for crane kit - For UT+GTR+GTN



Equipment for crane kit - For UT+GTR+GTN

Item	Reference	Description	Observation	Quantity
1	<u>VT0004943</u>	Electrical power crane	230V-690V CI/PC BOARD	1
2	<u>VT0005302</u>	Electrical board 2 speeds- 1 brake	230V-690V / 24V / 50 60Hz	1
2	<u>VT0004945</u>	Electrical board 2 speeds- 1 brake	230V-690V / 48V / 50 60Hz	1
2	<u>VT0005303</u>	Electrical board 2 speeds- 1 brake	230V-690V / 110V / 50 60Hz	1
2	<u>VT0005304</u>	Electrical board 2 speeds- 1 brake	230V-690V / 230V / 50 60Hz	1
2	<u>VT0005305</u>	Electrical board 2 speeds- 2 brakes	230V-690V / 24V /50 60Hz	1
2	<u>VT0005306</u>	Electrical board 2 speeds- 2 brakes	230V-690V / 48V / 50 60Hz	1
2	<u>VT0005307</u>	Electrical board 2 speeds- 2 brakes	230V-690V / 50-60Hz	1
2	<u>VT0005308</u>	Electrical board 2 speeds- 2 brakes	230V-690V / 230V / 50 60Hz	1
3	<u>VT0004946</u>	Rectifier- 1 brake	230V-690V	1
3	<u>VT0004947</u>	Rectifier- 2 brakes	230V-690V	1
4	<u>VT0004949</u>	Wire harness - Plug control voltage		1
5	<u>VT0004950</u>	Wire harness - Plug power voltage		1
6	<u>VT0006393</u>	Cable gland set Square cable entry	CG M20- ISO 20 Trolley-Power supply	1
7	<u>VT0006441</u>	Insulation plate		1
8	<u>VT0005107</u>	Connector	4P	1
9	<u>VT0005108</u>	Pendant connector	14P	1
10	<u>VT0007782</u>	Cable gland set Rectangular cable entry	4G2.5MM2 Flat cable - Only VR2	1
11	<u>VT0007780</u>	Square flat cable connector set	8G1.5/4G2.5/4G6/4G10mm2	1
12	<u>VT0006089</u>	End cap - Square cable entry		1
13	<u>VT0007781</u>	Head shrinkable tube		1
14	<u>VT0006454</u>	Cable gland set flat cable Square cable entry	12G1.5/4G2.5/4G6mm2 - ISO 25	1
15	<u>VT0008551</u>	Set of connection GLS		1
16	<u>VT0008550</u>	GLS cable	Quantity : 2 for 2 or 4 for 4	1
-	<u>VT0006967</u>	Time counter		1

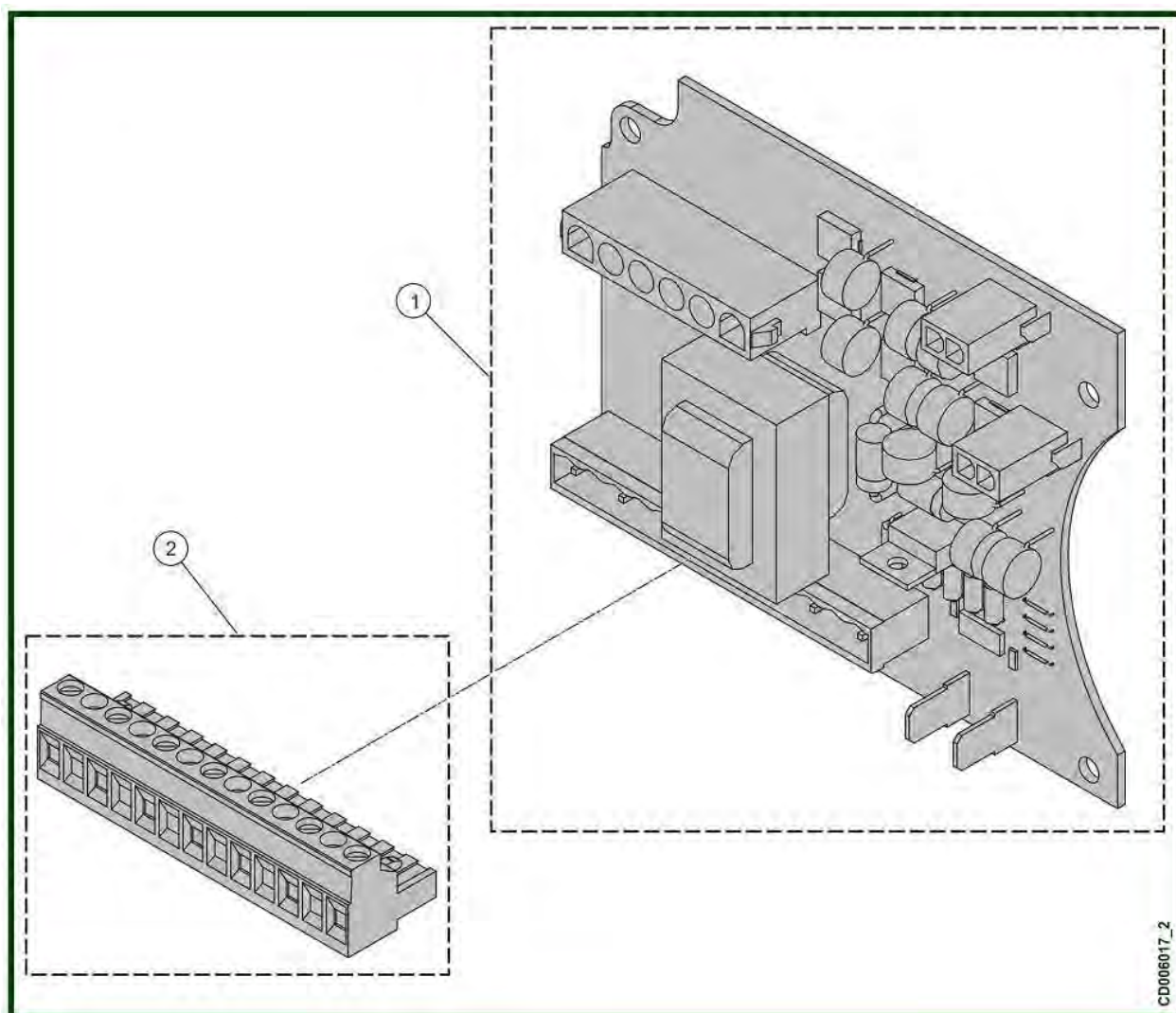
5.4. Without electric component



CD007903_1

Item	Reference	Description	Observation	Quantity
1	<u>VT0007656</u>	Electrical board	Without arrangement + Rectifier	1
2	<u>VT0006441</u>	Insulation plate		1
3	<u>VT0005107</u>	Connector	4P	1
4	<u>VT0006429</u>	Power connector	7P	1
5	<u>VT0009330</u>	Control connector	10P	1

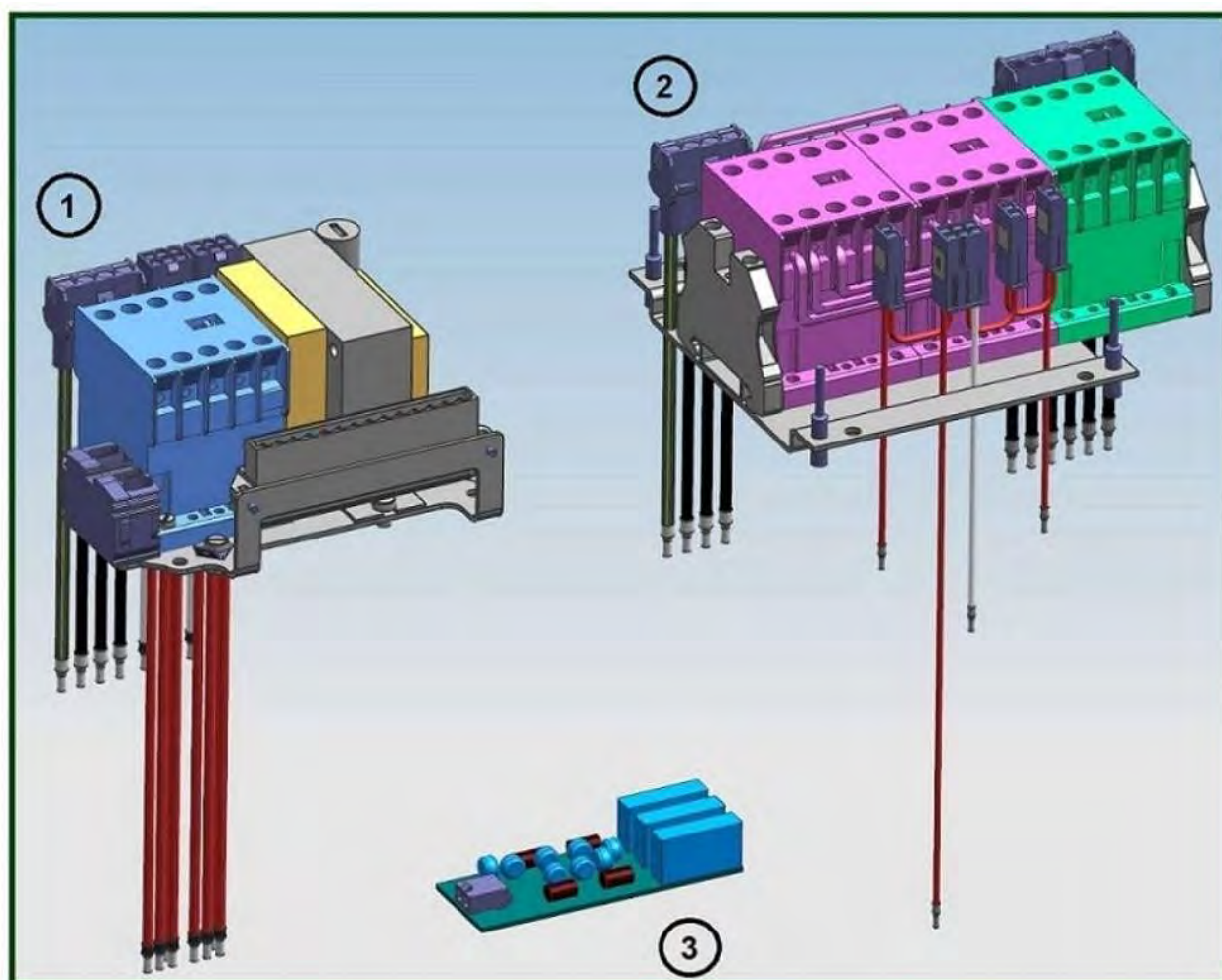
5.5. Direct voltage – ACF



Item	Reference	Description	Observation	Quantity
1	<u>VT0006428</u>	ACF card - 2 speeds		1
2	<u>VT0006429</u>	Power connector	7P	1

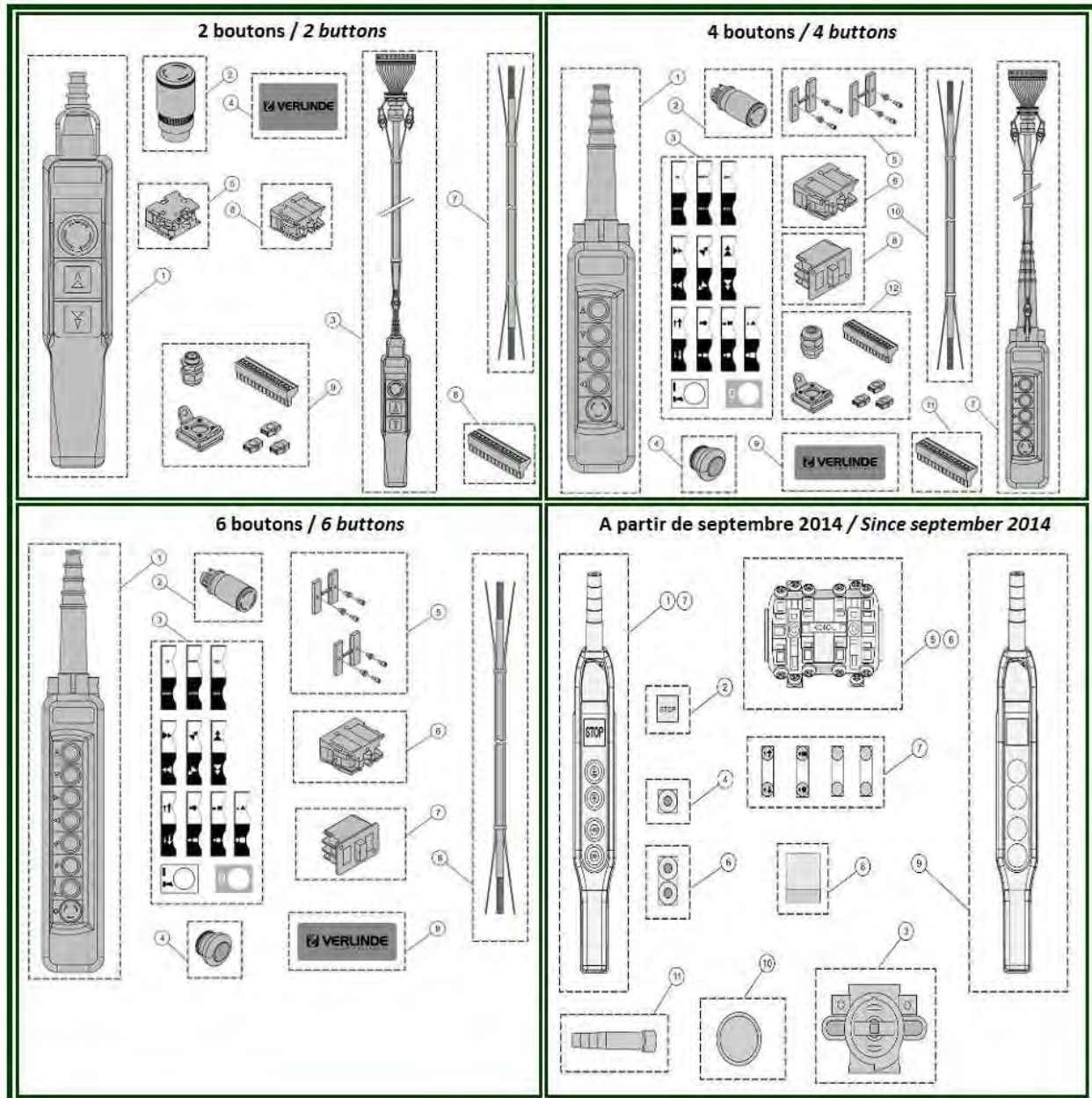
5.6. Solo hoist- Hard wiring

Option

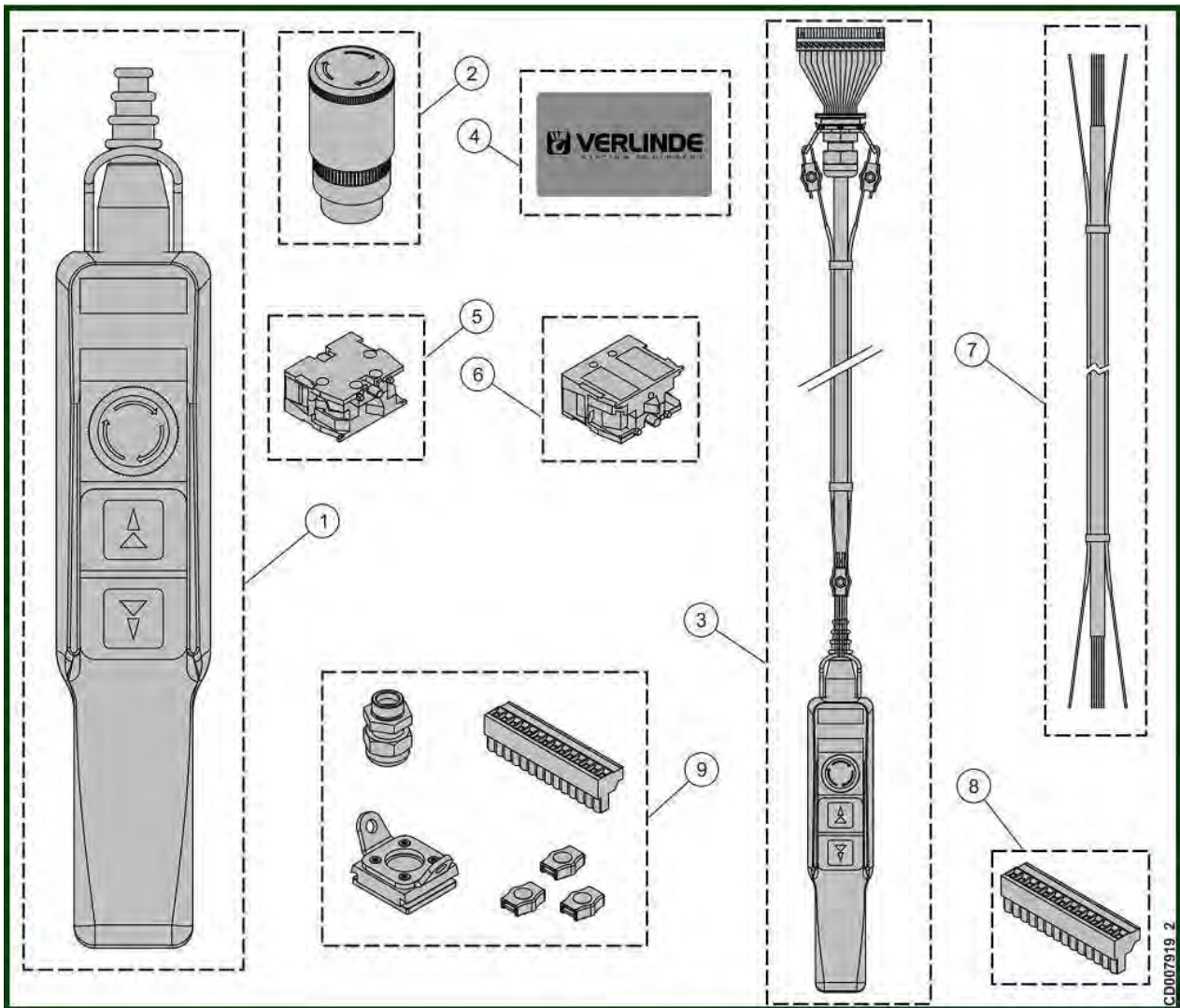


Item	Reference	Description	Observation	Quantity
1	VT0007058	Power supply PC Board - Solo hoist	400V-48V Hard wiring - Option	1
1	VT0007084	Power supply PC Board - Solo hoist	400V-110V Hard wiring - Option	1
1	VT0007086	Power supply PC Board - Solo hoist	460V-48V Hard wiring - Option	1
1	VT0007087	Power supply PC Board - Solo hoist	460V-110V Hard wiring - Option	1
2	VT0007057	Electrical board 2 Speeds - 1 brake	208V-575V /48V Hard wiring - Option	1
2	VT0007089	Electrical board 2 Speeds - 1 brake	208V-575V /110V-115V Hard wiring - Option	1
3	VT0008823	Rectifier	208V-575V	1

6. PUSH BUTTON CONTROLLER



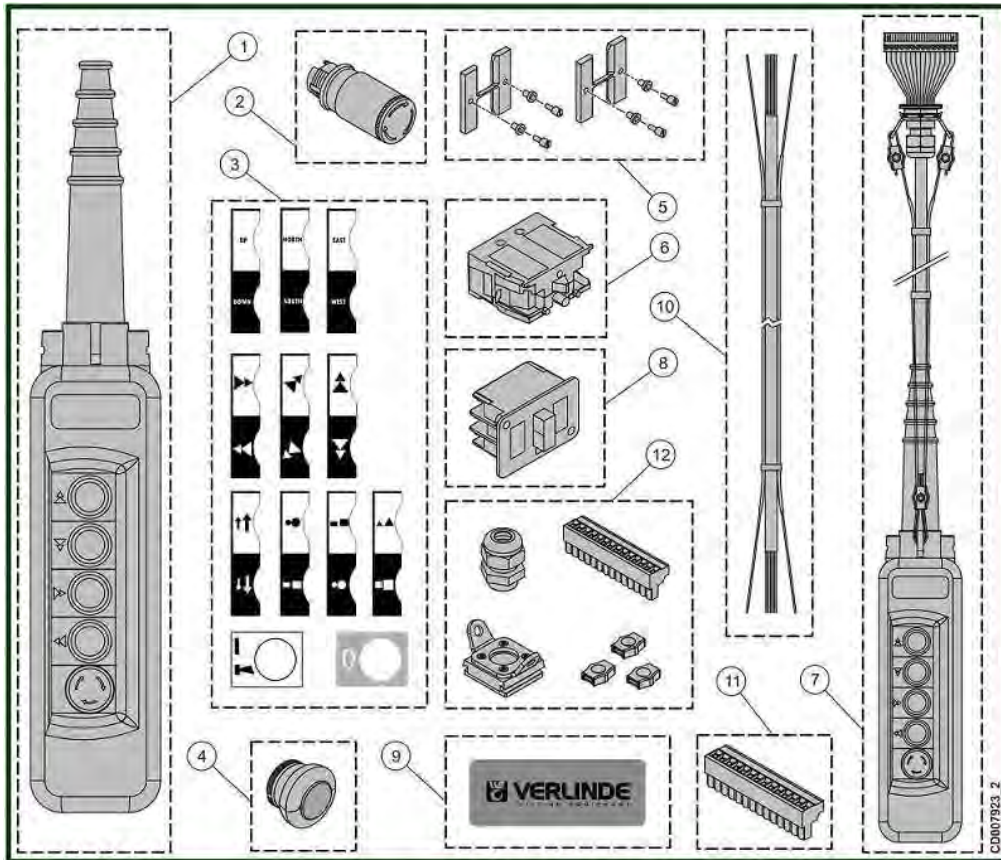
6.1. 2 buttons



2 Buttons

Item	Reference	Description	Observation	Quantity
1	<u>VT0005061</u>	Push buttons - 2HS+ES	Yellow	1
2	<u>VT0006547</u>	Emergency push button		1
3	<u>VT0005612</u>	Pendant with cable - 2HS+ES	2,2 m - Yellow - CE	1
3	<u>VT0005613</u>	Pendant with cable - 2HS+ES	2,7 m - Yellow - CE	1
3	<u>VT0005614</u>	Pendant with cable - 2HS+ES	3,2 m - Yellow - CE	1
3	<u>VT0005615</u>	Pendant with cable - 2HS+ES	3,7 m - Yellow - CE	1
3	<u>VT0005616</u>	Pendant with cable - 2HS+ES	4,2 m - Yellow - CE	1
3	<u>VT0005617</u>	Pendant with cable - 2HS+ES	4,7 m - Yellow - CE	1
3	<u>VT0005618</u>	Pendant with cable - 2HS+ES	5,2 m - Yellow - CE	1
3	<u>VT0005619</u>	Pendant with cable - 2HS+ES	5,7 m - Yellow - CE	1
4	<u>VT0007837</u>	Branding sticker	VERLINDE	1
5	<u>VT0005064</u>	Contact block	ZB2-BE101	1
6	<u>VT0005066</u>	Contact block	ZB2-BE 102	1
7	<u>VT0006746</u>	Cable	5x1,5 mm ² - CE	1
8	<u>VT0005108</u>	Pendant connector	14P	1
9	<u>VT0007583</u>	Pendant plug set	ISO	1

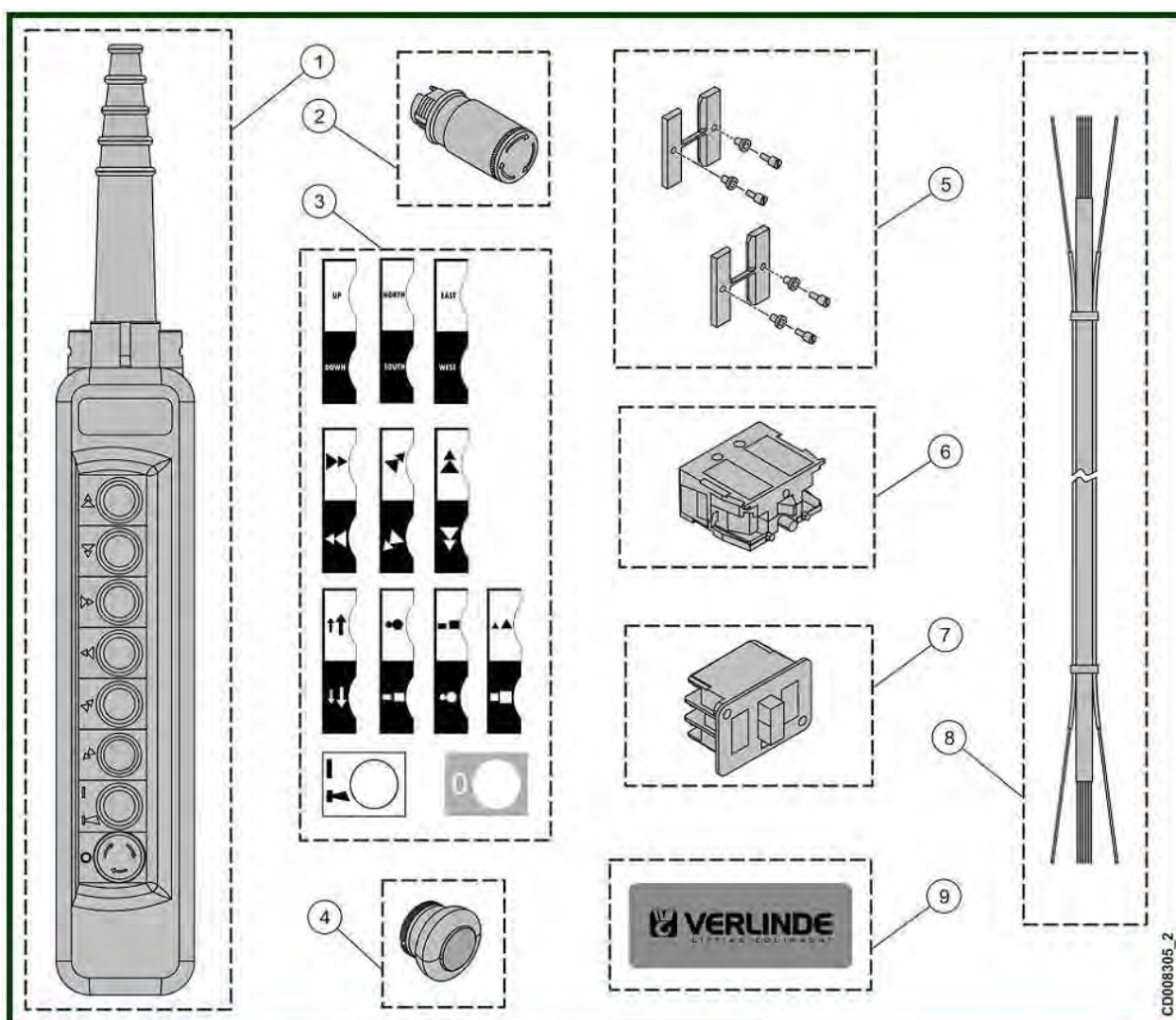
6.2. 4 buttons



4 buttons

Item	Reference	Description	Observation	Quantity
1	<u>VT0005055</u>	Push buttons 2HS+2TS+ES	Yellow	1
2	<u>VT0006548</u>	Emergency push button		1
3	<u>VT0007882</u>	Set of direction symbols		1
4	<u>VT0005063</u>	Push button		1
5	<u>VT0005072</u>	Mechanical interlock		2
6	<u>VT0005066</u>	Block contact	ZB2-BE 102	1
7	<u>VT0006059</u>	Pendant with cable- 2HS+2TS+ES	4,2 m - Yellow	1
7	<u>VT0006060</u>	Pendant with cable- 2HS+2TS+ES	4,7 m - Yellow	1
7	<u>VT0006061</u>	Pendant with cable- 2HS+2TS+ES	5,2 m - Yellow	1
7	<u>VT0006062</u>	Pendant with cable- 2HS+2TS+ES	5,7 m - Yellow	1
7	<u>VT0006055</u>	Pendant with cable- 2HS+2TS+ES	2,2 m - Yellow	1
7	<u>VT0006056</u>	Pendant with cable- 2HS+2TS+ES	2,7 m - Yellow	1
7	<u>VT0006057</u>	Pendant with cable- 2HS+2TS+ES	3,2 m - Yellow	1
7	<u>VT0006058</u>	Pendant with cable- 2HS+2TS+ES	3,7 m - Yellow	1
8	<u>VT0007879</u>	Block contact	XENG1191	1
9	<u>VT0007880</u>	Sticker of brand	VERLINDE	1
10	<u>VT0006747</u>	Cable - 8x1,5mm2	meter	1
11	<u>VT0005108</u>	Pendant connector	14P	1
12	<u>VT0007583</u>	Pendant plug set	ISO	1

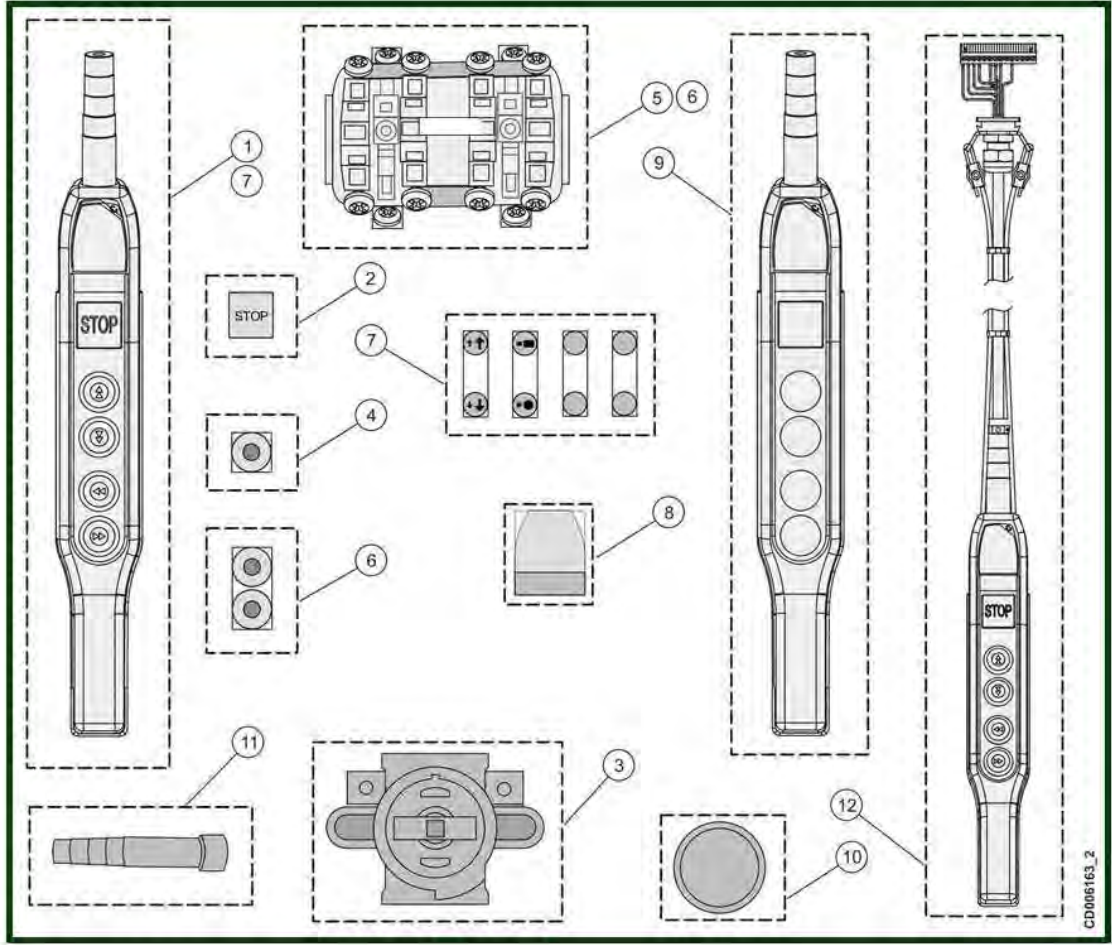
6.3. 6 buttons



CD008305_2

Item	Reference	Description	Observation	Quantity
1	VT0005058	Push buttons 2HS+2TS+2LS+ON-OFF	Yellow	1
2	VT0006548	Emergency push button		1
3	VT0007882	Set of direction symbols		1
4	VT0005063	Push button		1
5	VT0005072	Mechanical interlock		2
6	VT0005066	Block contact	ZB2-BE 102	1
7	VT0007879	Block contact	XENG1191	1
8	VT0008073	Cable	16x1.52mm ² - meter	1
8	VT0008074	Cable	20x1.5mm ² - meter	1
9	VT0007880	Sticker of brand	VERLINDE	1
-	VT0005108	Pendant connector	14P	1

6.4. Push buttons – From september 2014

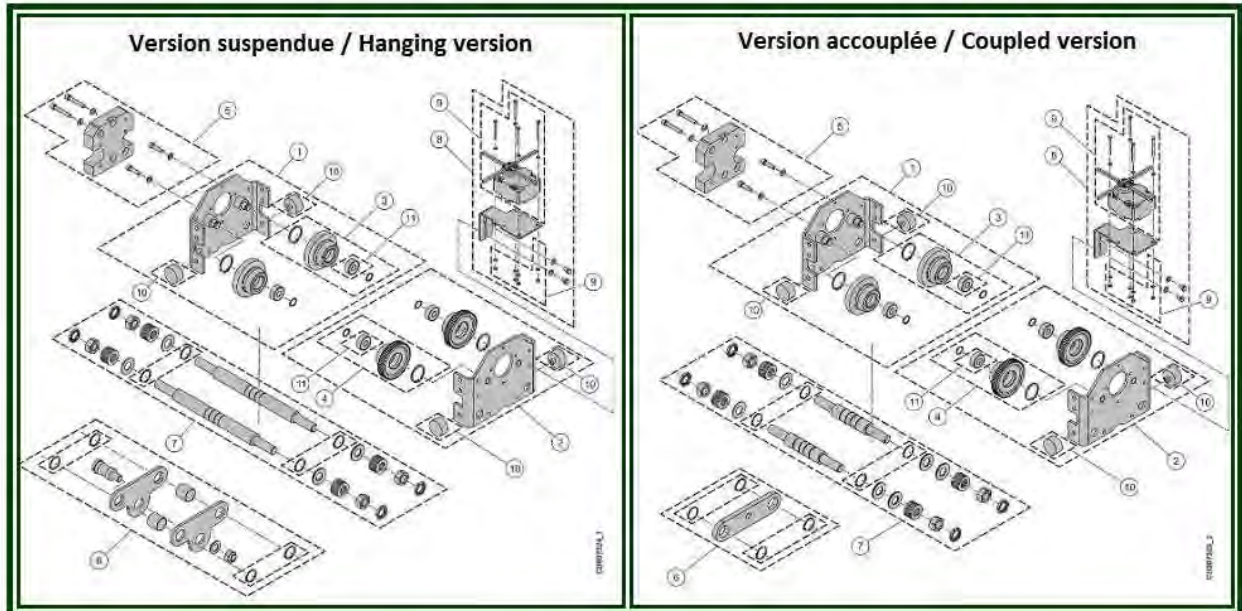


Item	Reference	Description	Observation	Quantity
1	VT0006495	Push buttons - 2 HS+2TS+ES	Yellow - 4 buttons	1
1	VT0006493	Push buttons - 2 HS+ES	Yellow - 2 buttons	1
2	VT0006509	Emergency push button		1
3	VT0006510	Emergency stop contact block		1
4	VT0006511	Rubber push button		1
5	VT0006513	Contact block	2 speeds	1
6	VT0006514	Set of 2 push buttons + contact block		1
7	VT0006754	Stickers - Direction symbols	ANSI	1
7	VT0006752	Stickers - Direction symbols	DIN	1
7	VT0006753	Stickers - Direction symbols	FIN-SEN	1
8	VT0006496	Sticker - Brand	VERLINDE	1
9	VT0006515	Push buttons	Yellow - 2 buttons	1
9	VT0006518	Push buttons	Yellow - 4 buttons	1
10	VT0006517	Magnet		1
10	VT0006516	End cap caoutchouc		1
11	VT0007032	Cable bushing		1
12	VT0006958	Push buttons box + cable + plug 2 HS+ES	2,20 m - Yellow- DIN	1
12	VT0006951	Push buttons box + cable + plug 2 HS+ES	2,70 m - Yellow- DIN	1
12	VT0006952	Push buttons box + cable + plug 2 HS+ES	3,20 m - Yellow- DIN	1
12	VT0006953	Push buttons box + cable + plug 2 HS+ES	3,70 m - Yellow- DIN	1
12	VT0006954	Push buttons box + cable + plug 2 HS+ES	4,20 m - Yellow- DIN	1
12	VT0006955	Push buttons box + cable + plug 2 HS+ES	4,70 m - Yellow- DIN	1
12	VT0006956	Push buttons box + cable + plug 2 HS+ES	5,20 m - Yellow- DIN	1
12	VT0006957	Push buttons box + cable + plug 2 HS+ES	5,70 m - Yellow- DIN	1

13	<u>VT0006959</u>	Push buttons box + cable + plug 2 HS+2TS+ES	2,20 m - Yellow - DIN	1
13	<u>VT0006966</u>	Push buttons box + cable + plug 2 HS+2TS+ES	2,70 m - Yellow - DIN	1
13	<u>VT0006960</u>	Push buttons box + cable + plug 2 HS+2TS+ES	3,20 m - Yellow- DIN	1
13	<u>VT0006961</u>	Push buttons box + cable + plug 2 HS+2TS+ES	3,70 m - Yellow - DIN	1
13	<u>VT0006962</u>	Push buttons box + cable + plug 2 HS+2TS+ES	4,20 m - Yellow - DIN	1
13	<u>VT0006963</u>	Push buttons box + cable + plug 2 HS+2TS+ES	4,70 m - Yellow - DIN	1
13	<u>VT0006964</u>	Push buttons box + cable + plug 2 HS+2TS+ES	5,20 m - Yellow - DIN	1
13	<u>VT0006965</u>	Push buttons box + cable + plug 2 HS+2TS+ES	5,70 m - Yellow - DIN	1

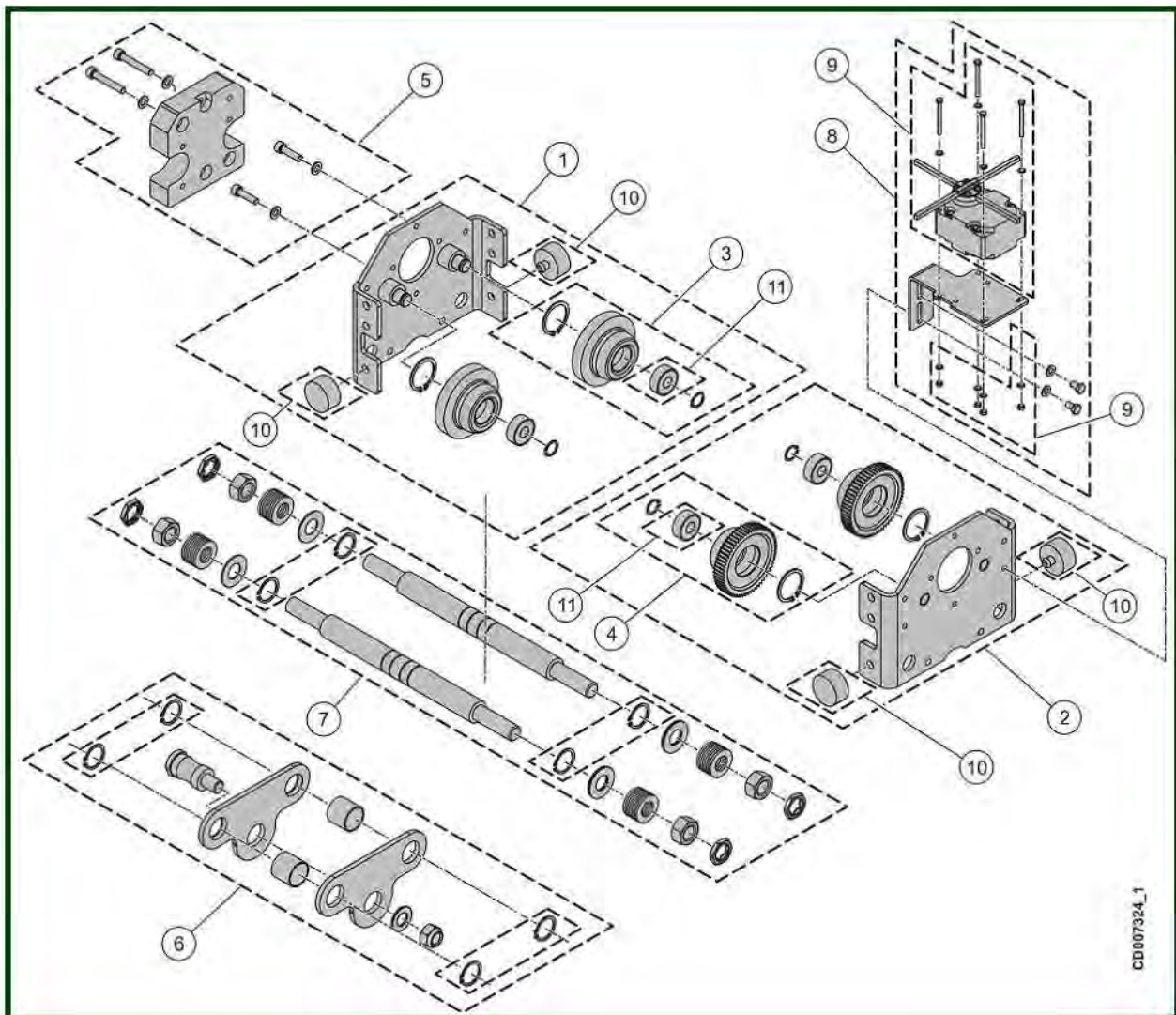
7. NORMAL HEADROOM TROLLEY

NHT



7.1. C1 trolley - 0 to 1000 kg – Hanging version

HNT



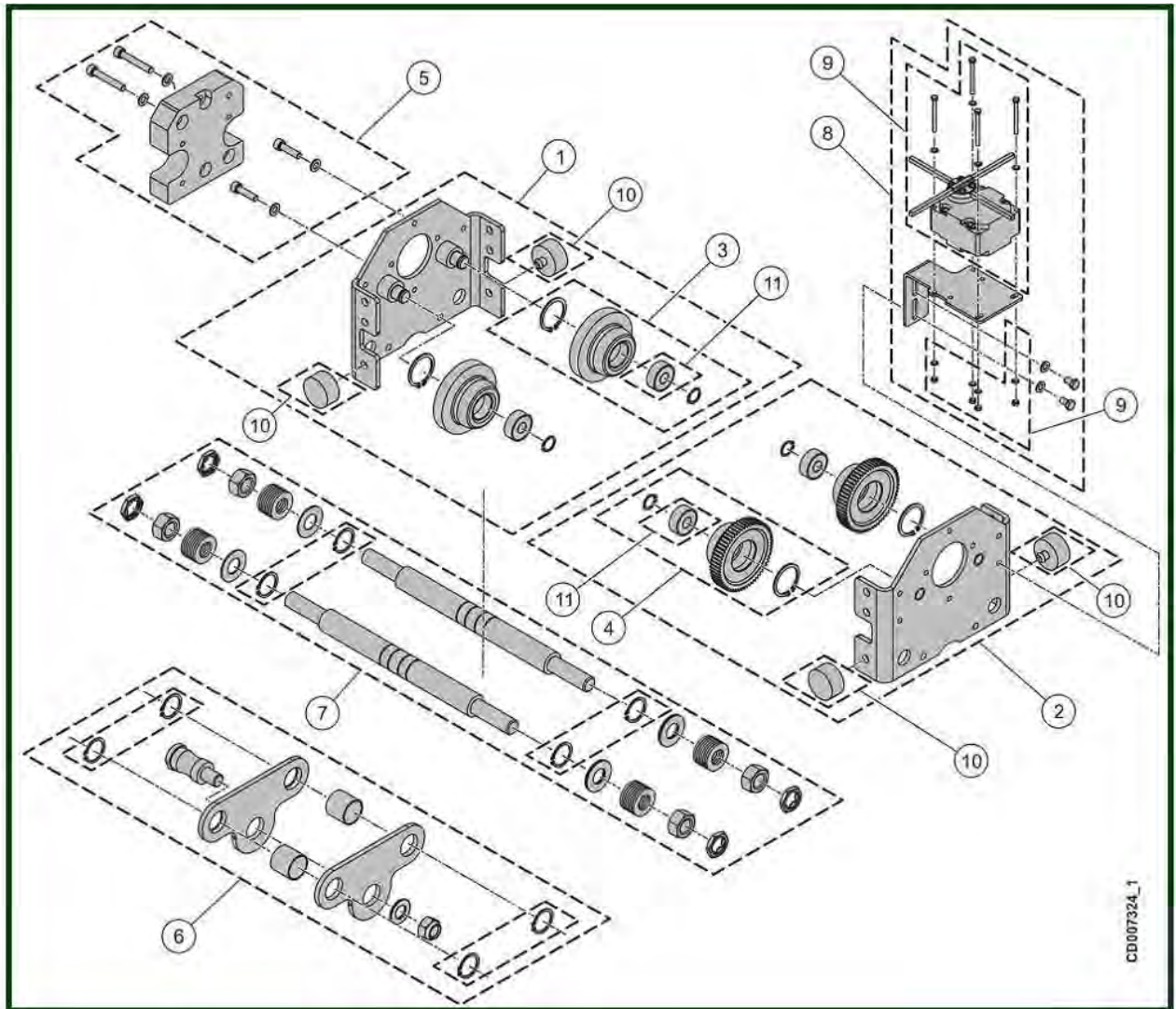
7.2. C1 trolley - 0 to 1000 kg – Hanging version

NHT

Item	Reference	Description	Observation	Quantity
1	<u>VT0007051</u>	Idler side plate assembly		1
2	<u>VT0007066</u>	Drive side plate assembly		1
3	<u>VT0007061</u>	Complete set of travel wheel without shaft		1
4	<u>VT0007063</u>	Set driving wheel without shaft	Ø 62 - 93 mm	1
5	<u>VT0007062</u>	Set of counterweight		1
6	<u>VT0007064</u>	Coupling part	Hanging version	1
7	<u>VT0007026</u>	Tie rod set beam- 55 à 100 mm	Monobloc tie road since 1999	1
7	<u>VT0007027</u>	Tie rod set beam- 106 à 150 mm	Monobloc tie road since 1999	1
7	<u>VT0007028</u>	Tie rod set beam- 155 à 200 mm	Monobloc tie road since 1999	1
7	<u>VT0007029</u>	Tie rod set beam- 206 à 248 mm	Monobloc tie road since 1999	1
7	<u>VT0007030</u>	Tie rod set beam- 260 à 307 mm	Monobloc tie road since 1999	1
7	<u>VT0007031</u>	Tie rod set beam- 308 à 310 mm	Monobloc tie road since 1999	1
8	<u>VT0007098</u>	Limit switch - 1 step		1
8	<u>VT0008775</u>	Limit switch - 2 steps		1
9	<u>VT0008776</u>	Travelling limit switch assembly 1 step		1
9	<u>VT0008777</u>	Travelling limit switch assembly 2 steps		1
10	<u>VT0009357</u>	Buffer	D40x20 - C1 to C5	1
11	<u>VT0007091</u>	Ball Bearing		1

7.3. C2 trolley - 1001 to 2000 kg – Hanging version

Only for voltage greater than 480V



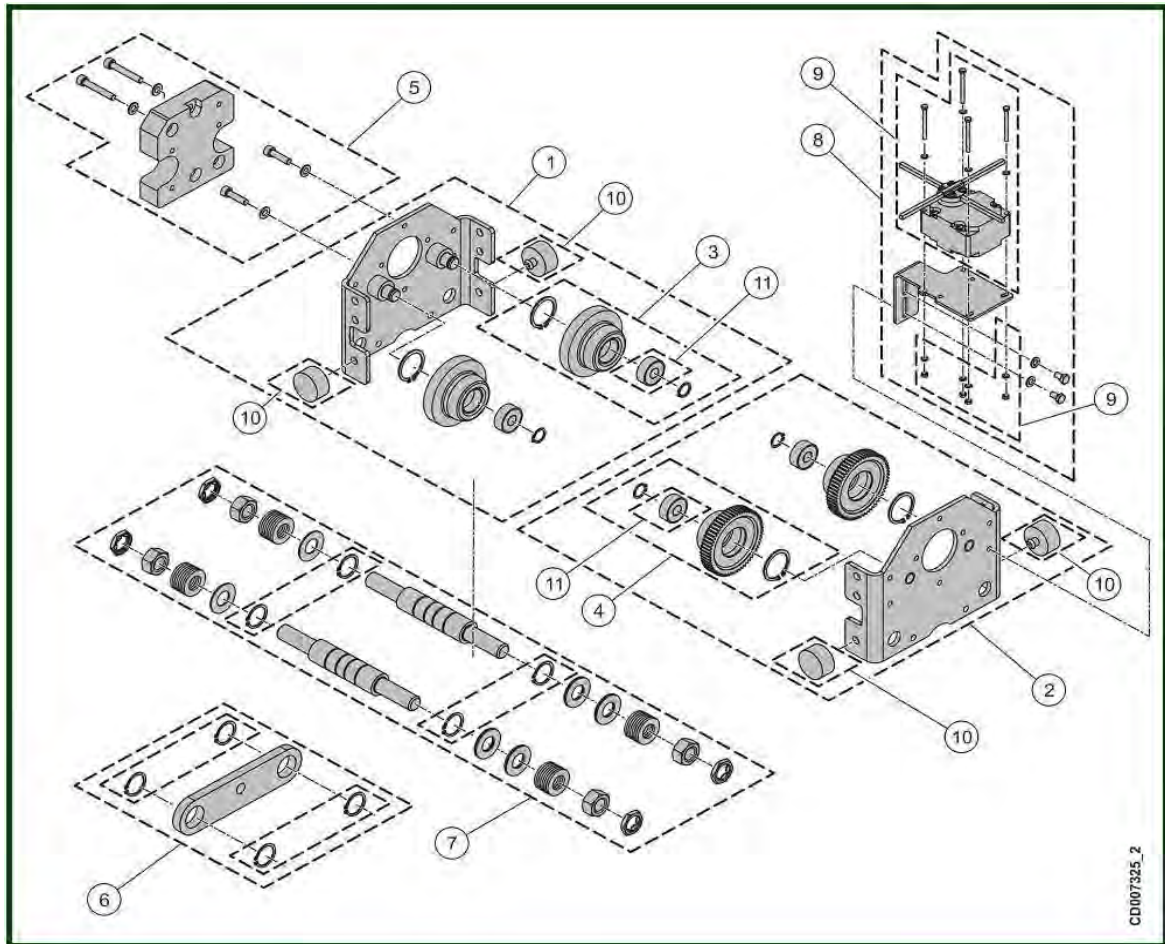
C2 trolley - 1001 to 2000 kg – Hanging version

Only for voltage greater than 480V

Item	Reference	Description	Observation	Quantity
1	<u>VT0007067</u>	Idler side plate assembly	C2	1
2	<u>VT0007068</u>	Drive side plate assembly	C2	1
3	<u>VT0007069</u>	Set of idler wheel without shaft	C2 - Ø 80x120 mm	1
4	<u>VT0008778</u>	Set of driving wheel without shaft	C2 - Ø 80x120 mm	1
5	<u>VT0008780</u>	Set of counterweight	C2	1
6	<u>VT0008779</u>	Coupling part	C2 - Hanging version	1
7	<u>VT0007036</u>	Tie rod set beam - 64 à 126 mm	C2 -Monobloc tie road since 1999	1
7	<u>VT0007037</u>	Tie rod set beam - 131 à 190 mm	C2 -Monobloc tie road since 1999	1
7	<u>VT0007038</u>	Tie rod set beam - 198 à 248 mm	C2 -Monobloc tie road since 1999	1
7	<u>VT0007039</u>	Tie rod set beam - 260 à 310 mm	C2 -Monobloc tie road since 1999	1
8	<u>VT0007098</u>	Limit switch - 1 step		1
8	<u>VT0008775</u>	Limit switch - 2 steps		1
9	<u>VT0008776</u>	Travelling limit switch assembly 1 step		1
9	<u>VT0008777</u>	Travelling limit switch assembly 2 steps		1
10	<u>VT0007088</u>	Rubber buffer	40X20 M10	1
11	<u>VT0008781</u>	Ball Bearing	C2	1

7.4. C2 trolley - 1001 to 2000 kg – Coupled version

Only for voltage greater than 480V

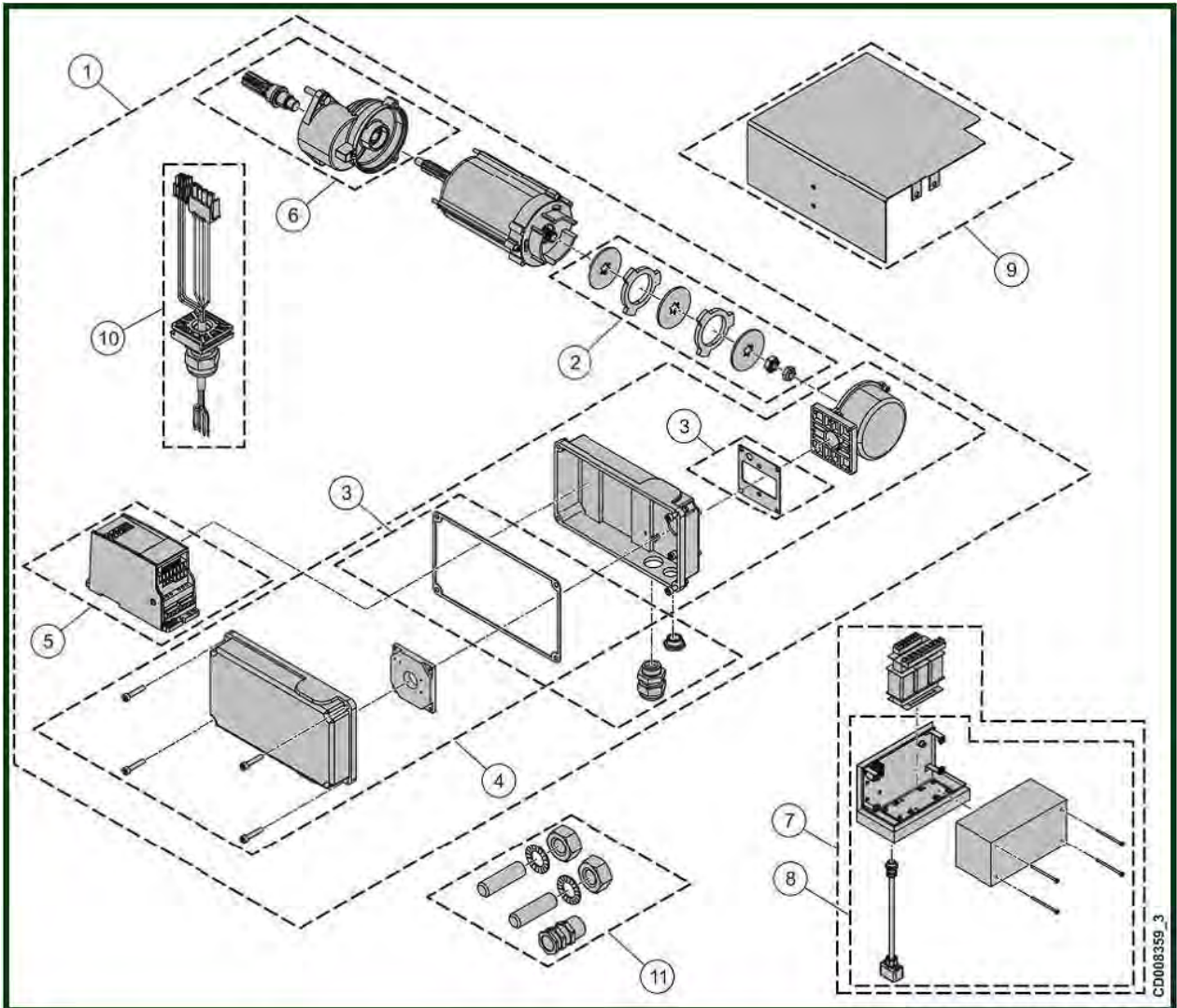


C2 trolley - 1001 to 2000 kg – Coupled version

Only for voltage greater than 480V

Item	Reference	Description	Observation	Quantity
1	<u>VT0007067</u>	Idler side plate assembly	C2	1
2	<u>VT0007068</u>	Drive side plate assembly	C2	1
3	<u>VT0007069</u>	Set of idler wheel without shaft	C2 - Ø 80x120 mm	1
4	<u>VT0008778</u>	Set of driving wheel without shaft	C2 - Ø 80x120 mm	1
5	<u>VT0008780</u>	Set of counterweight	C2	1
6	<u>VT0007085</u>	Cross bar	Coupled version	1
7	<u>VT0007036</u>	Tie rod set beam- 64 à 126 mm	C2 - Monobloc tie road since 1999	1
7	<u>VT0007037</u>	Tie rod set beam- 131 à 190 mm	C2 - Monobloc tie road since 1999	1
7	<u>VT0007038</u>	Tie rod set beam- 198 à 248 mm	C2 - Monobloc tie road since 1999	1
7	<u>VT0007039</u>	Tie rod set beam- 260 à 310 mm	C2 - Monobloc tie road since 1999	1
8	<u>VT0007098</u>	Limit switch - 1 step		1
8	<u>VT0008775</u>	Limit switch - 2 steps		1
9	<u>VT0008776</u>	Travelling limit switch assembly 1 step		1
9	<u>VT0008777</u>	Travelling limit switch assembly 2 steps		1
10	<u>VT0007088</u>	Rubber buffer	40X20 M10	1
11	<u>VT0008781</u>	Ball Bearing	C2	1

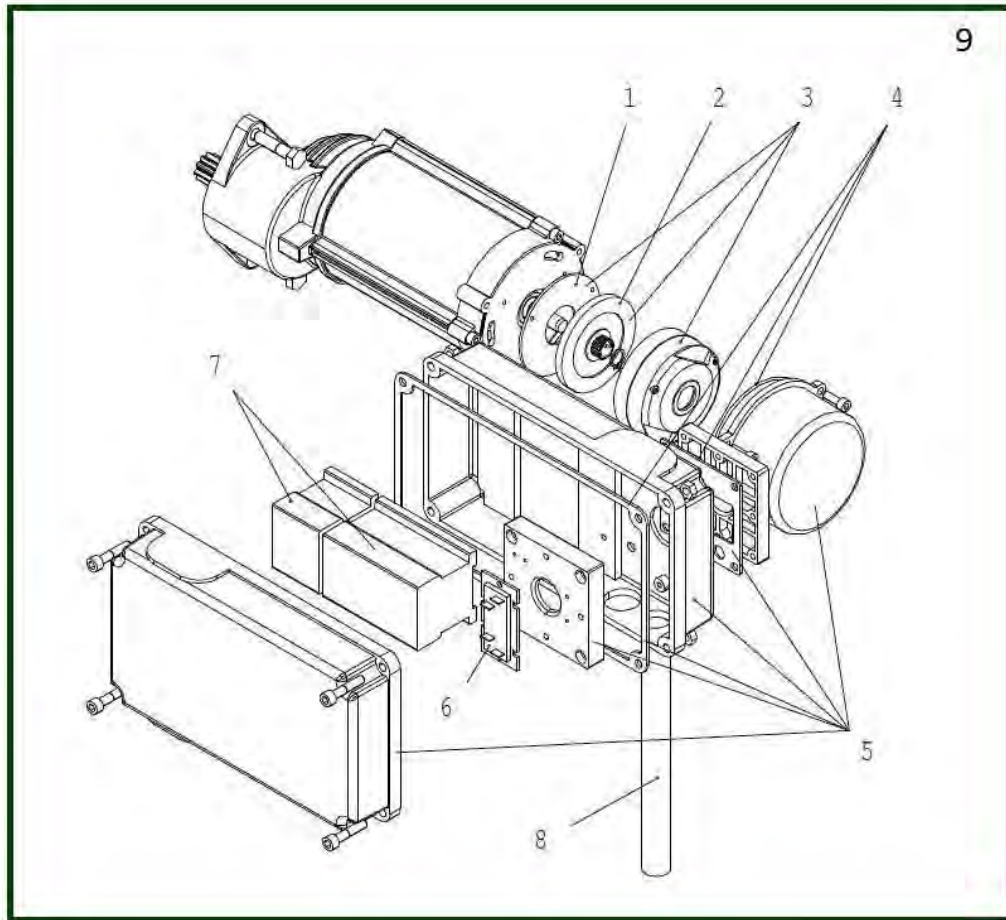
7.5. Inverter TMU motor



Inverter TMU motor

Item	Reference	Description	Observation	Quantity
1	<u>52890308</u>	Travelling machinery - TMU1	42-230V < 1000 Kg	1
1	<u>52890306</u>	Travelling machinery – TMU2	42-230V > 1000 Kg to 2000	1
2	<u>52296293</u>	Brake repair Set	M06-001V	1
3	<u>52300292</u>	Sealing set	M06-008V	1
4	<u>52907130</u>	Housing set	M06-022V	1
5	<u>52387783</u>	Inverter VT003 TMK003.380 460V/ ctrl 42 230V	Since january 2015 for motor already equipped of this inverter	1
6	<u>52297191</u>	Reducer	GEL105PT1B0	1
7	<u>52303806</u>	Control panel	T50E-TE07	1
8	<u>53050878</u>	Housing set	UKTM/ALTM-NEW	1
9	<u>52305058</u>	Rain cover	All models C1 to C5	1
10	<u>53110165</u>	Connection cable	TMU 1&2	1
11	<u>52908158</u>	Fixing set		1

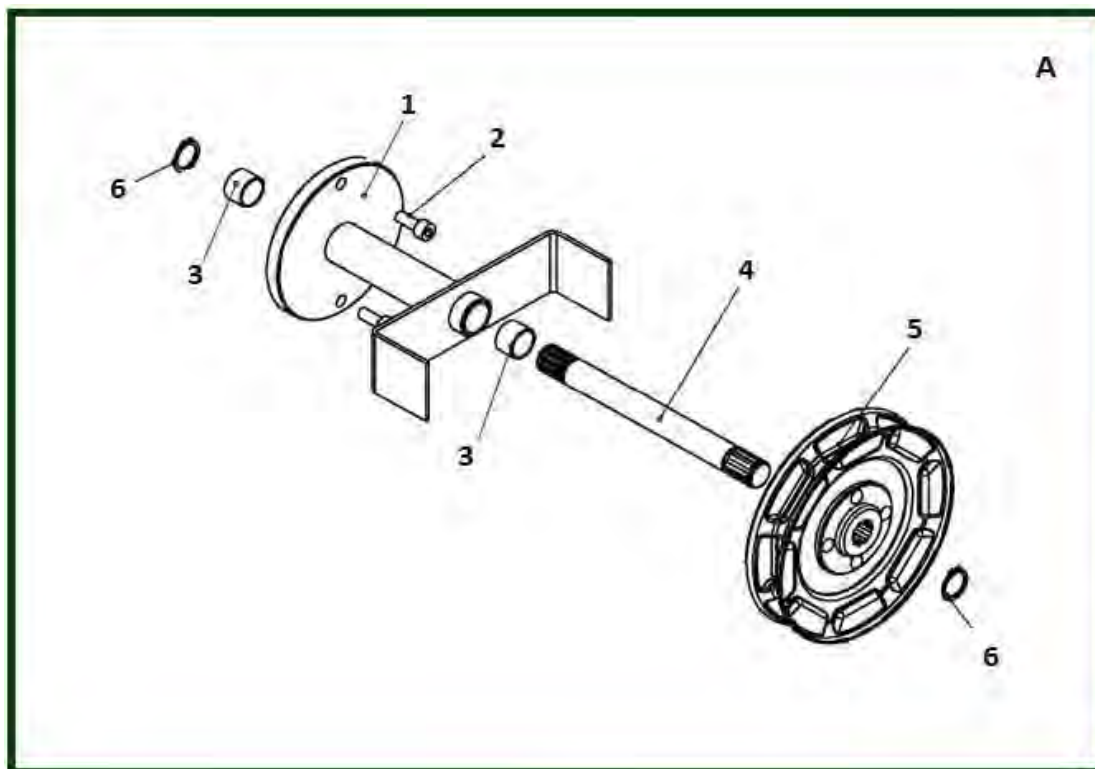
7.6. Two speeds TMU motor



Two speeds TMU motor

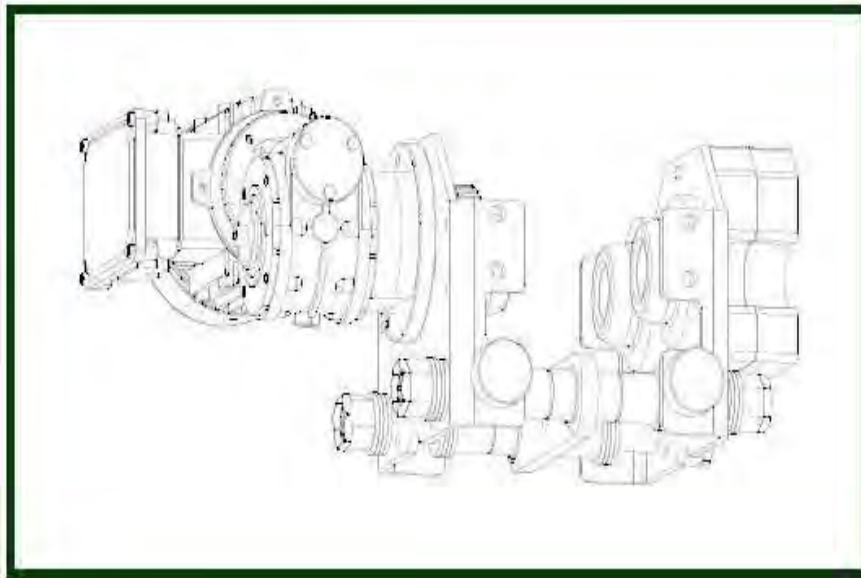
Item	Reference	Description	Observation	Quantity
1	<u>52269590</u>	Friction plate		1
2	<u>52269587</u>	Brake disc		1
3	<u>52318378</u>	Brake disc 180V	MF06MA104	1
3	<u>52318416</u>	Brake disc 240V	MF06MA104	1
3	<u>52318424</u>	Brake disc 290V	MF06MA104	1
4	<u>52300292</u>	Sealing set	M06-008V	1
5	<u>52300291</u>	Terminal box	M06-007V	1
6	<u>15823007</u>	Rectifier	Motor 220V	1
6	<u>15823006</u>	Rectifier	Motor 380 à 550V	1
7	<u>1123052</u>	Reversing contactor	110V	1
7	<u>1113097</u>	Reversing contactor	230V	1
7	<u>1113023</u>	Reversing contactor 400V/48V	LC2ECO9E (7531023V) Hoisting cross travelling	1
7	<u>1113098</u>	Main contactor KAU	230 V 50/60 Hz	1
7	<u>1113021</u>	Selector contactor	48V	1
7	<u>1123050</u>	Selector contactor	110V	1
8	<u>53243829</u>	Connection Cable	TMU 1&2	1
9	<u>52782175</u>	TMU motor 2 speeds	230V/48V 50 Hz	1
9	<u>52782173</u>	TMU motor 2 speeds	230V/115V 60 Hz - Standard	1
9	<u>52782176</u>	TMU motor 2 speeds	400V/48V 50 Hz	1
9	<u>52782171</u>	TMU motor 2 speeds	460V/115V 60 Hz - Standard	1
9	<u>52782177</u>	TMU motor 2 speeds	500V/48V 50 Hz	1
9	<u>52782172</u>	TMU motor 2 speeds	575V/115V 60 Hz - Standard	1
-	<u>52305058</u>	Rain cover	All models C1 to C5	1

7.7. Chain travel



Item	Reference	Description	Observation	Quantity
1	52306328	Support		1
2	830905	CHC Screw 8X20		1
3	993275	Bearing		1
4	52306329	CHM shaft		1
5	400953	Travelling hand wheel - \varnothing 165 mm	3,2T	1
6	400052	Circlips		1
	53020194	Galvanized hand chain - 5x27,1	9,8 meters	1
	820003	Galvanized hand chain - 5x27,1		1
A	52306332	Chain operated manual travelling	C1 to C5	1

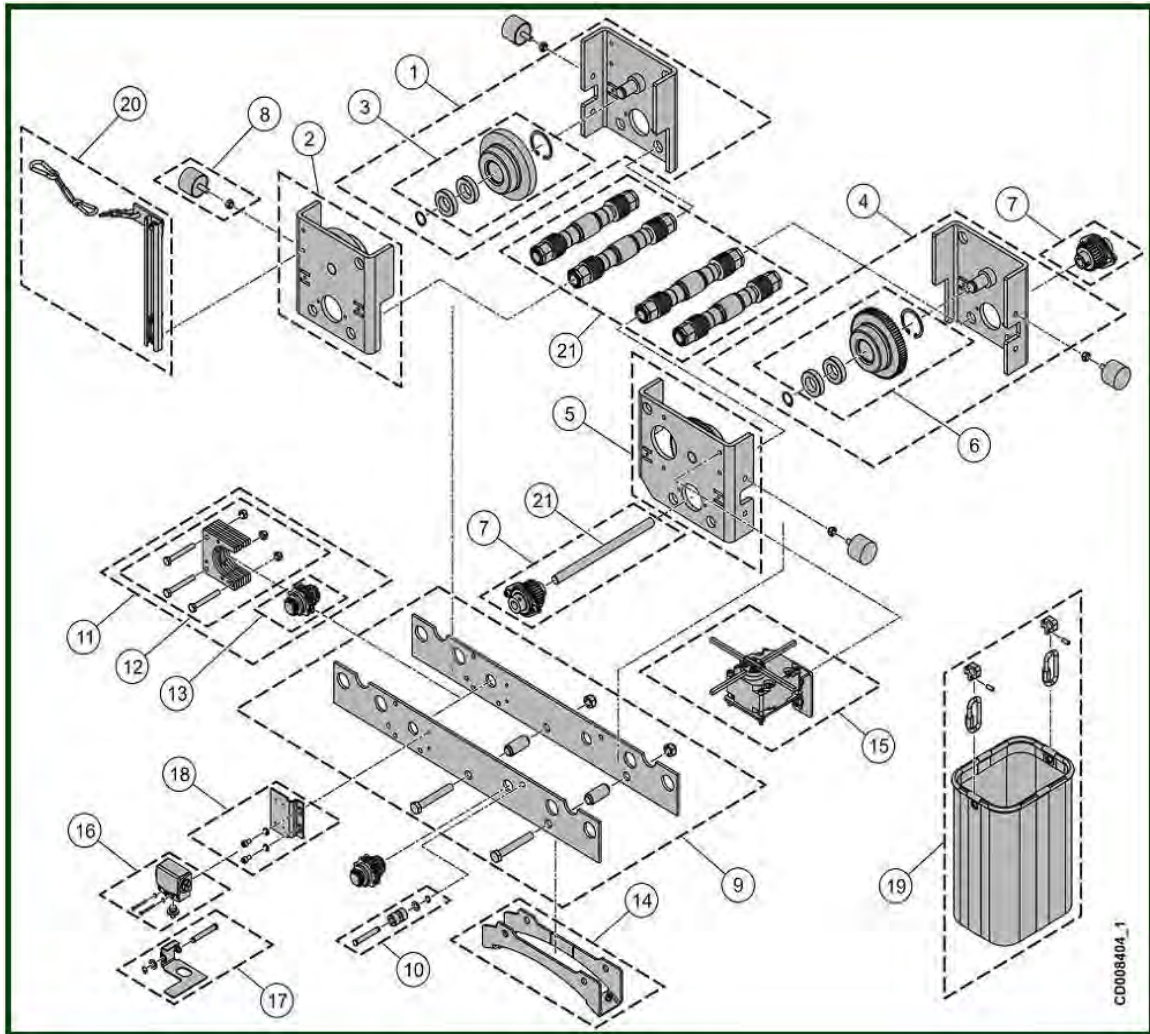
7.8. Right angle motor



Item	Reference	Description	Observation	Quantity
	<u>551037</u>	Cubicle		1
	<u>2216904</u>	Adaptation set for right angle travelling machinery	Pinion, flange, screws	1
	<u>556972</u>	Right angle travelling machinery	Speed 10 & 2.5m/min - For C1-C2-C3	1
	<u>2133033</u>	CI board	2CS - MAC	1

8. LOW HEADROOM TROLLEY

LHT



Low Headroom Trolley

LHT

Item	Reference	Description	Observation	Quantity
1	VT0008742	Idle flange		1
2	VT0008743	Idle flange	Motor side	1
3	VT0008961	Travel wheel idle without shaft		2
4	VT0008745	Motor flange		1
5	VT0008746	Motor flange	Motor side	1
6	VT0008963	Travel wheel without shaft		2
7	VT0008748	Gear wheel set - 66 à 112	L232	1
7	VT0008947	Gear wheel set - 113 à 154	L274	1
7	VT0008948	Gear wheel set - 155 à 199	L315	1
7	VT0008949	Gear wheel set - 200 à 259	L362	1
7	VT0008950	Gear wheel set - 260 à 300	L422	1
8	VT0008749	Buffer	D40L50	1
9	VT0008894	Plate set	LHT	1
10	VT0008895	Diabolo set	LHT - 5x14	1
11	VT0008752	Chain guide	5x14	1
12	VT0008753	Sprocket	5x14	1
13	VT0008754	Chain sprocket	5x14	1
14	VT0008755	Suspension		1
15	VT0008756	Limit switch	1 step	1
16	VT0008892	Limit switch assembly	LHT	1
17	VT0008891	Limit switch activator	LHT	1
18	VT0008893	Fixing set	LHT	1
19	VT0008760	Chain bucket	30 m for 7x20	1
20	VT0008761	Towing arm	L250	1
20	VT0008762	Towing arm	L450	1
21	VT0008951	Shaft set - 66 to 112	L232	1
21	VT0008952	Shaft set - 113 to 154	L274	1
21	VT0008953	Shaft set - 155 to 199	L315	1
21	VT0008954	Shaft set - 200 to 259	L362	1
21	VT0008955	Shaft set - 260 to 300	L422	1