

## Spare parts VR25

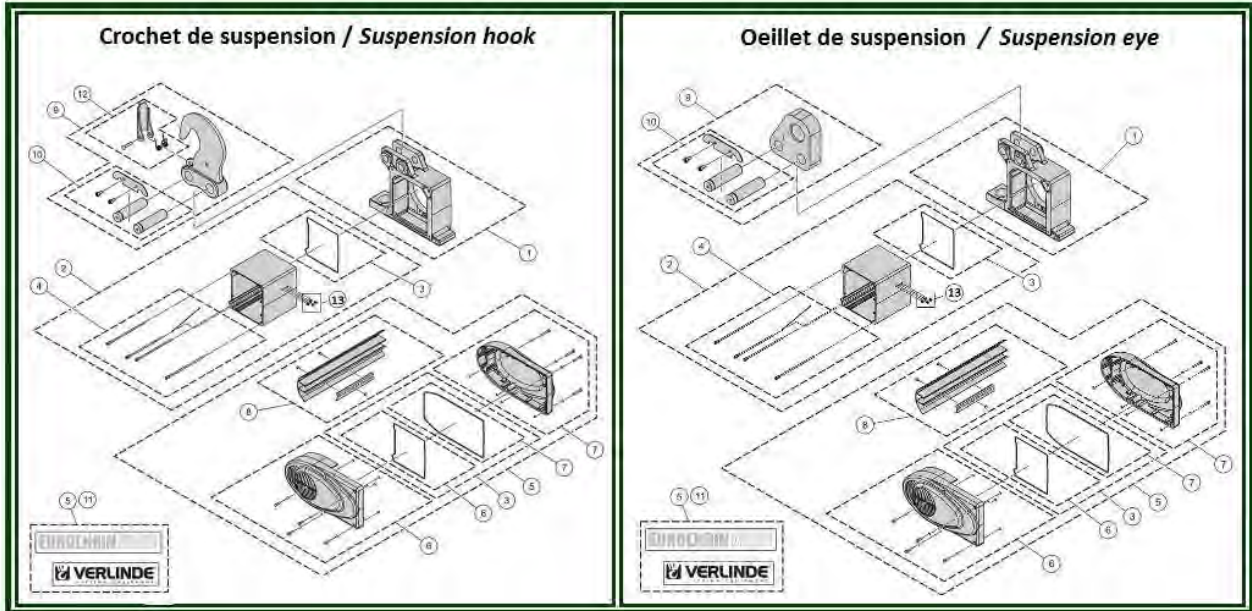
To avoid errors, when ordering please specify:

- Complete type of hoist
- Date of manufacture and serial number
- Spare part code
- Spare part designation
- Additional information

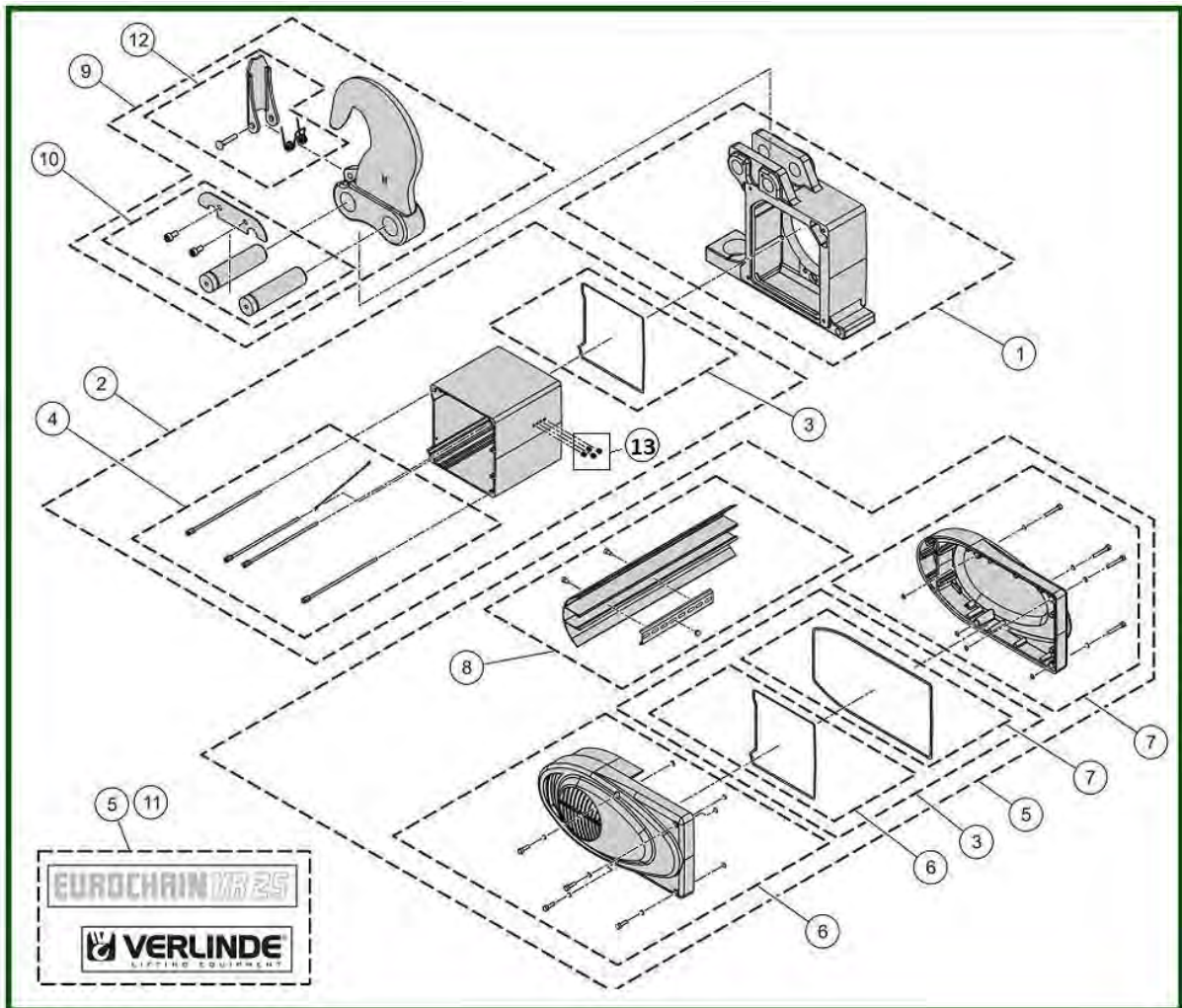


|  |           |
|--|-----------|
| <b>1. FRAME.....</b>                                     | <b>3</b>  |
| 1.1. Suspension hook .....                               | 4         |
| 1.2. Suspension eye.....                                 | 6         |
| <b>2. CHAIN GUIDE - 11.3x31 .....</b>                    | <b>8</b>  |
| 2.1. Chain guide - 1 fall - Standard limit switch .....  | 9         |
| 2.2. Chain guide - 1 fall - Gear limit switch.....       | 11        |
| 2.3. Chain guide - 2 falls - Standard limit switch ..... | 13        |
| 2.4. Chain guide - 2 falls - Gear limit switch .....     | 15        |
| <b>3. GEAR .....</b>                                     | <b>17</b> |
| 3.1. Single brake.....                                   | 18        |
| 3.2. Double brakes .....                                 | 20        |
| <b>4. MOTOR- Single brake &amp; Double brakes .....</b>  | <b>22</b> |
| <b>5. ELECTRICAL PARTS.....</b>                          | <b>24</b> |
| 5.1. Solo equipment – Standard.....                      | 25        |
| 5.2. Equipment for crane kit .....                       | 29        |
| <b>6. PUSH BUTTON CONTROLLER .....</b>                   | <b>32</b> |
| 6.1. 2 buttons.....                                      | 33        |
| 6.2. 4 buttons.....                                      | 35        |
| 6.3. 6 buttons.....                                      | 37        |
| 6.4. Push button- From september 2014.....               | 38        |
| <b>7. NORMAL HEADROOM TROLLEY.....</b>                   | <b>41</b> |
| 7.1. C3 trolley- 2001 to 3200 kg - Hanging version ..... | 42        |
| 7.2. C3 trolley- 2001 à 3200 kg - Coupled version.....   | 44        |
| 7.3. C5 trolley- 3200 to 5000 kg - Coupled version ..... | 46        |
| 7.4. Inverter TMU motor .....                            | 48        |
| 7.5. TMU motor 2 speeds.....                             | 49        |
| 7.6. Chain travel .....                                  | 51        |
| 7.7. Right angle motor.....                              | 52        |
| <b>8. LOW HEADROOM TROLLEY.....</b>                      | <b>53</b> |
| 8.1. LHT - 1 fall .....                                  | 54        |
| 8.2. LHT - 2 falls.....                                  | 57        |

# 1. FRAME



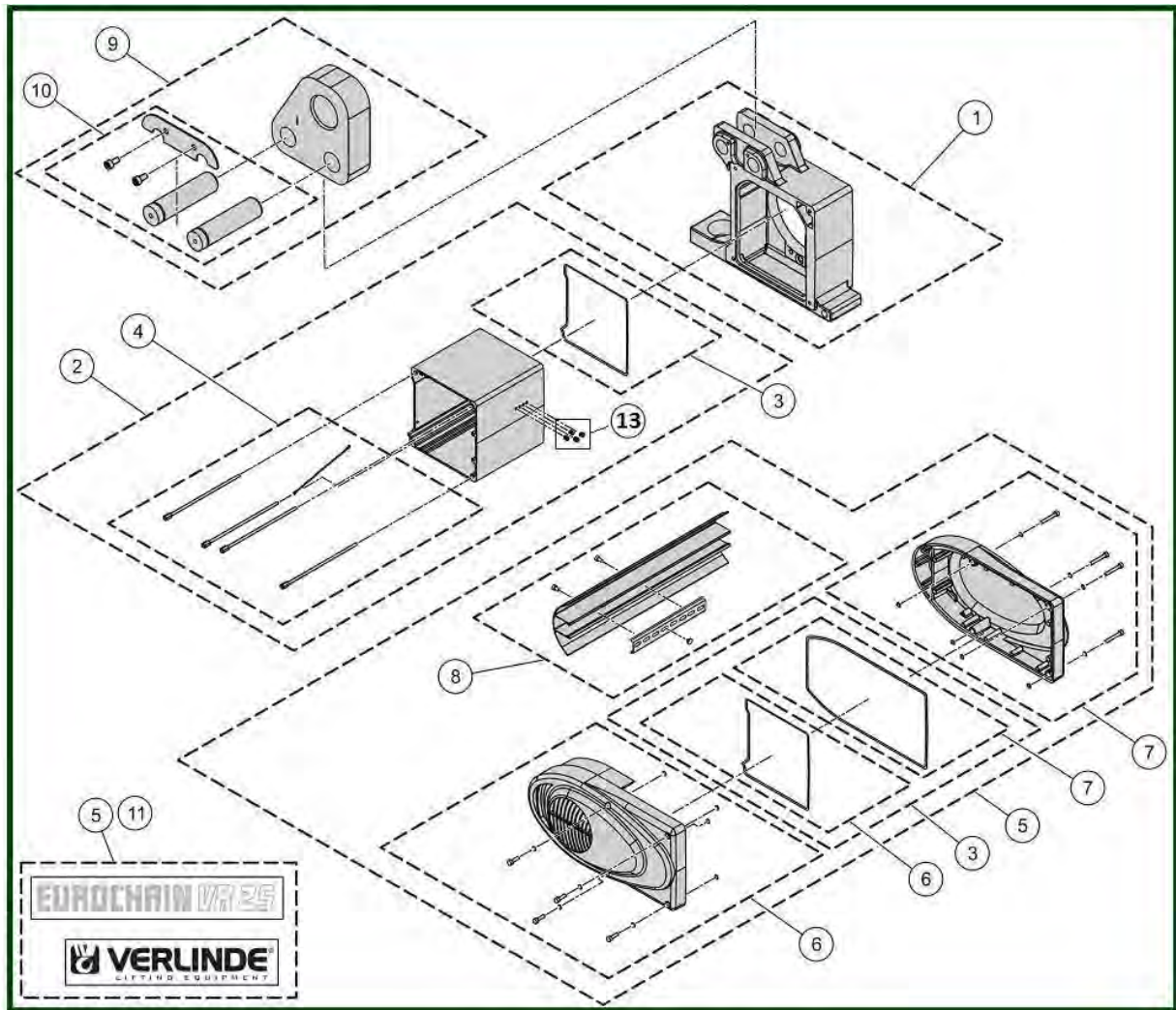
## 1.1. Suspension hook



## Suspension hook

| Item | Reference        | Description                   | Observation               | Quantity |
|------|------------------|-------------------------------|---------------------------|----------|
| 1    | <u>VT0006574</u> | Flange housing                | Standard limit switch     | 1        |
| 2    | <u>VT0006575</u> | Electrical housing            | Standard limit switch     | 1        |
| 3    | <u>VT0006576</u> | Sealings set                  |                           | 1        |
| 4    | <u>VT0006577</u> | Screws set - M6L207           |                           | 1        |
| 5    | <u>VT0007820</u> | Cover                         | Double brakes- VERLINDE   | 1        |
| 5    | <u>VT0006578</u> | Cover                         | Single brake- VERLINDE    | 1        |
| 6    | <u>VT0006579</u> | Cover set - Motor side        | VERLINDE                  | 1        |
| 7    | <u>VT0006580</u> | Cover set - Brake side        | VERLINDE                  | 1        |
| 8    | <u>VT0006581</u> | Cover set - Front side        | VERLINDE                  | 1        |
| 9    | <u>VT0006583</u> | Suspension hook               |                           | 1        |
| 10   | <u>VT0006584</u> | Fixing set                    |                           | 1        |
| 11   | <u>VT0006585</u> | Stickers of brand             | VERLINDE                  | 1        |
| 12   | <u>VT0005902</u> | Safety latch                  |                           | 1        |
| 13   | <u>VT0006090</u> | Set of 4 plugs                | OPTION: Gear Limit Switch | 1        |
|      | <u>VT0006050</u> | Set of 10 load plates - Hoist | 1000 Kg                   | 1        |
|      | <u>VT0006051</u> | Set of 10 load plates - Hoist | 1250 Kg                   | 1        |
|      | <u>VT0006052</u> | Set of 10 load plates - Hoist | 1600 Kg                   | 1        |
|      | <u>VT0006053</u> | Set of 10 load plates - Hoist | 2000 Kg                   | 1        |
|      | <u>VT0006054</u> | Set of 10 load plates - Hoist | 2500 Kg                   | 1        |
|      | <u>VT0007817</u> | Set of 10 load plates - Hoist | 3200 Kg                   | 1        |
|      | <u>VT0007818</u> | Set of 10 load plates - Hoist | 4000 Kg                   | 1        |
|      | <u>VT0007819</u> | Set of 10 load plates - Hoist | 5000 Kg                   | 1        |
|      | <u>VT0006026</u> | Identification plate          | Serial number request     | 1        |
|      | <u>VT0007637</u> | Rain cover                    |                           | 1        |

## 1.2. Suspension eye

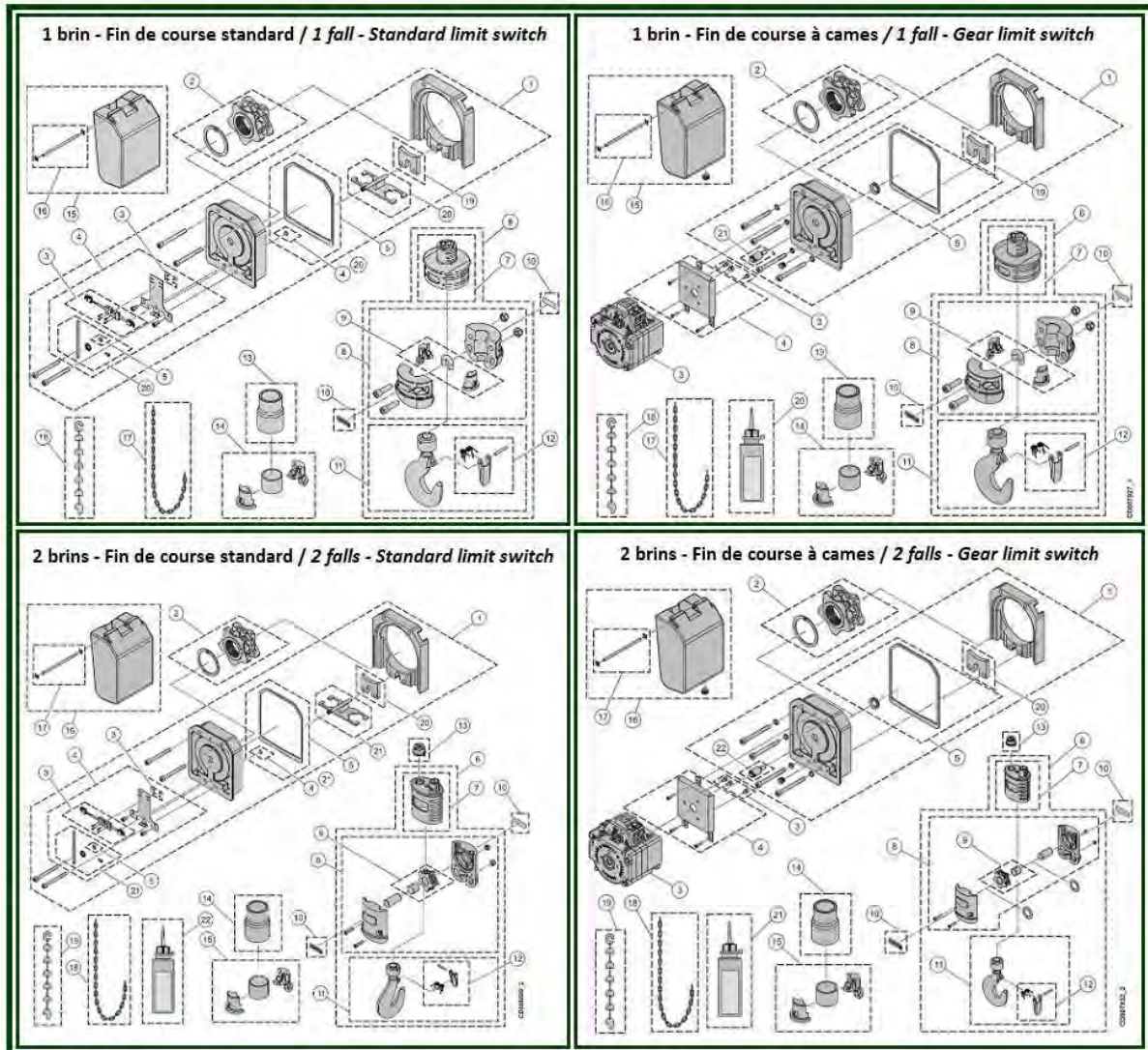


## Suspension eye

| Item | Reference        | Description                   | Observation               | Quantity |
|------|------------------|-------------------------------|---------------------------|----------|
| 1    | <u>VT0006574</u> | Flange housing                | Standard limit switch     | 1        |
| 2    | <u>VT0006575</u> | Electrical housing            | Standard limit switch     | 1        |
| 3    | <u>VT0006576</u> | Sealings set                  |                           | 1        |
| 4    | <u>VT0006577</u> | Screws set - M6L207           |                           | 1        |
| 5    | <u>VT0007820</u> | Cover                         | Double brakes- VERLINDE   | 1        |
| 5    | <u>VT0006578</u> | Cover                         | Single brake- VERLINDE    | 1        |
| 6    | <u>VT0006579</u> | Cover set - Motor side        | VERLINDE                  | 1        |
| 7    | <u>VT0006580</u> | Cover set - Brake side        | VERLINDE                  | 1        |
| 8    | <u>VT0006581</u> | Cover set - Front side        | VERLINDE                  | 1        |
| 9    | <u>VT0006582</u> | Suspension eye                |                           | 1        |
| 10   | <u>VT0006584</u> | Fixing set                    |                           | 1        |
| 11   | <u>VT0006585</u> | Stickers of brand             | VERLINDE                  | 1        |
| 13   | <u>VT0006090</u> | Set of 4 plugs                | OPTION: Gear Limit Switch | 1        |
|      | <u>VT0006050</u> | Set of 10 load plates - Hoist | 1000 Kg                   | 1        |
|      | <u>VT0006051</u> | Set of 10 load plates - Hoist | 1250 Kg                   | 1        |
|      | <u>VT0006052</u> | Set of 10 load plates - Hoist | 1600 Kg                   | 1        |
|      | <u>VT0006053</u> | Set of 10 load plates - Hoist | 2000 Kg                   | 1        |
|      | <u>VT0006054</u> | Set of 10 load plates - Hoist | 2500 Kg                   | 1        |
|      | <u>VT0007817</u> | Set of 10 load plates - Hoist | 3200 Kg                   | 1        |
|      | <u>VT0007818</u> | Set of 10 load plates - Hoist | 4000 Kg                   | 1        |
|      | <u>VT0007819</u> | Set of 10 load plates - Hoist | 5000 Kg                   | 1        |
|      | <u>VT0006026</u> | Identification plate          | Serial number request     | 1        |
|      | <u>VT0007637</u> | Rain cover                    |                           | 1        |

## 2. CHAIN GUIDE - 11.3x31

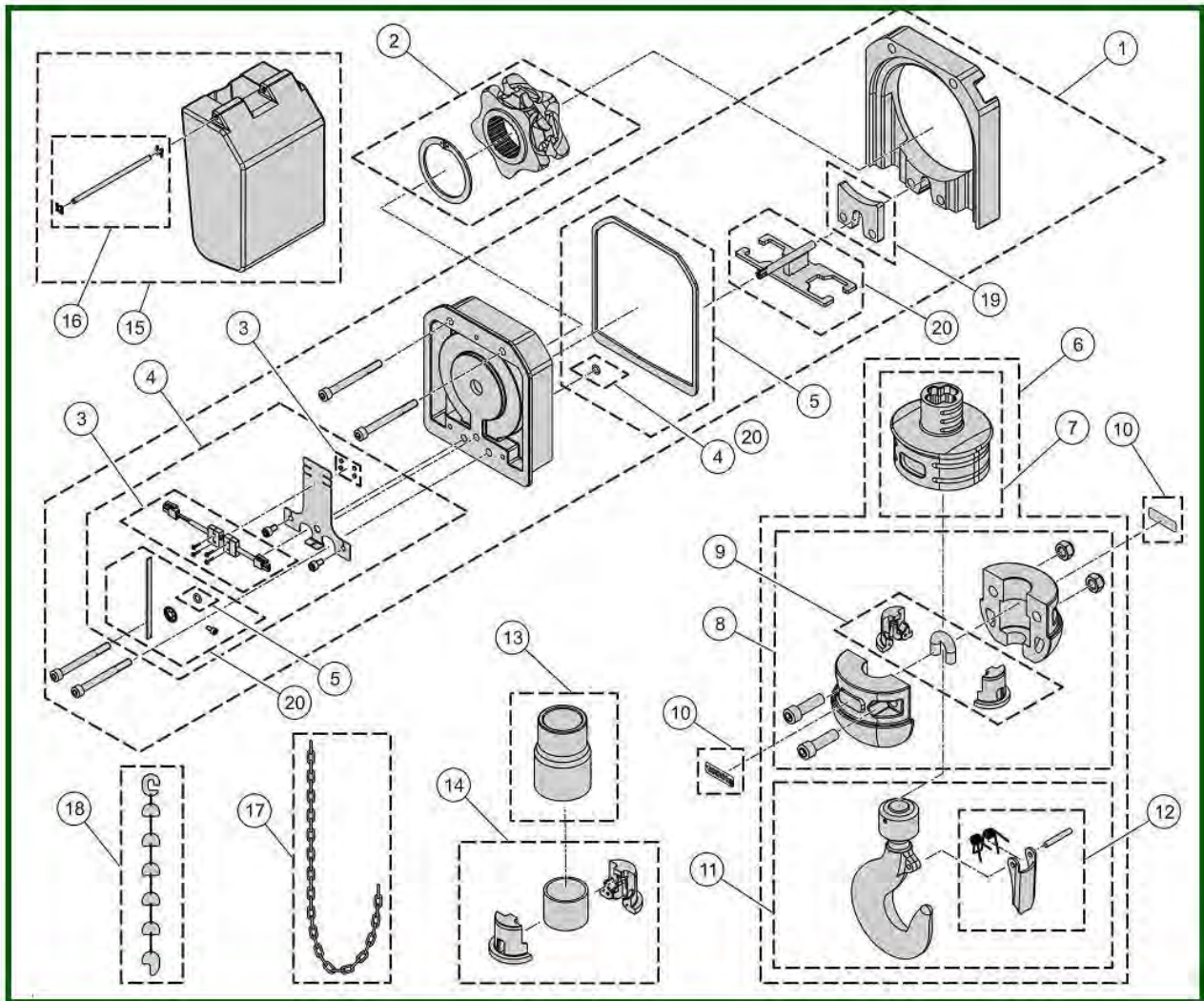
*It is not possible to fit MS & GLS together*





2.1. Chain guide - 1 fall - Standard limit switch

Chain 11.3x31

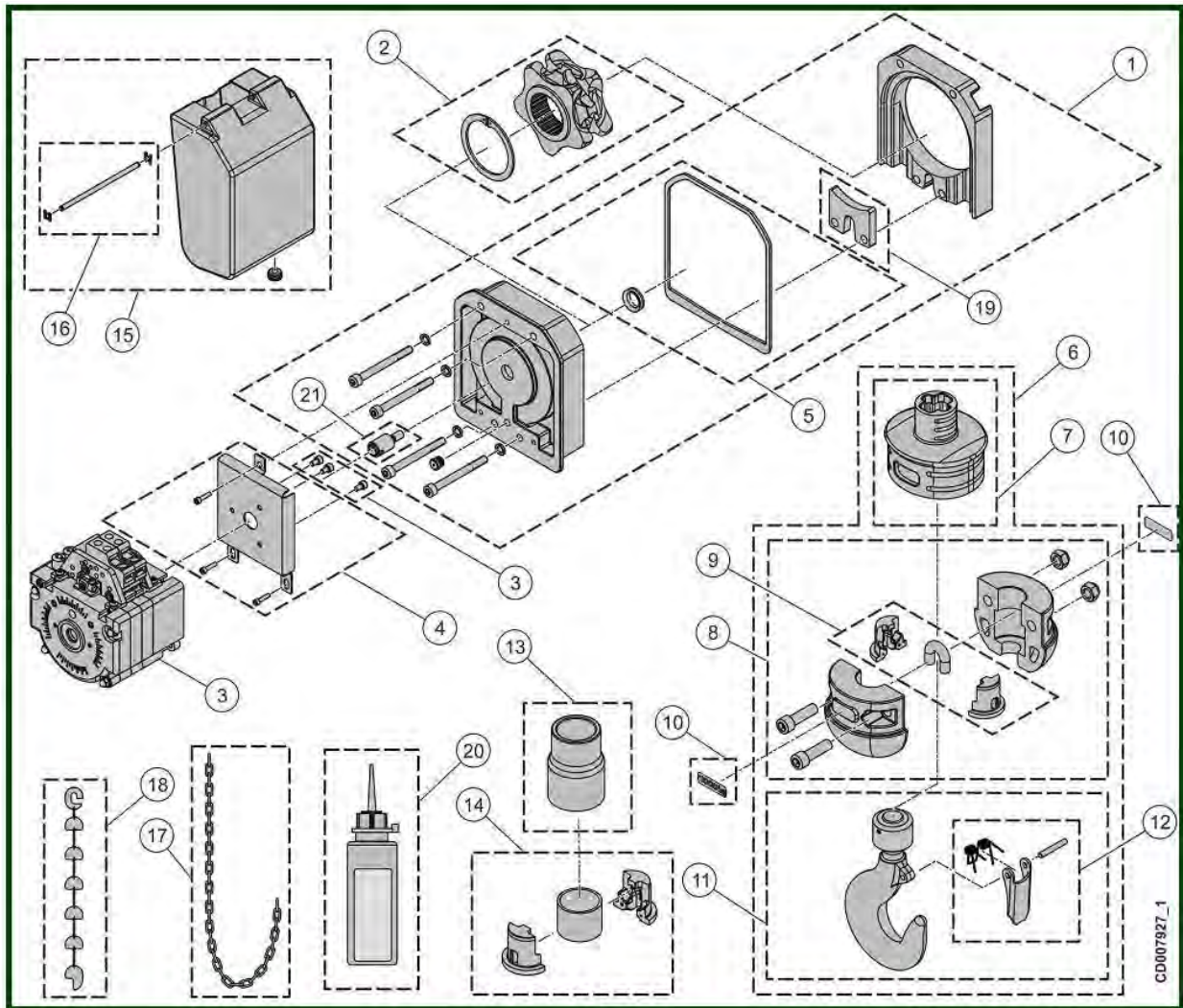


### Chain guide - 1 fall - Standard limit switch

| Item | Reference        | Description                   | Observation            | Quantity |
|------|------------------|-------------------------------|------------------------|----------|
| 1    | <u>VT0006586</u> | Chain guide - Chain 11.3x31   | Standard limit switch  | 1        |
| 2    | <u>VT0006587</u> | Chain sprocket                |                        | 1        |
| 3    | <u>VT0006588</u> | Switch set                    |                        | 1        |
| 4    | <u>VT0006589</u> | Limit switch activator        |                        | 1        |
| 5    | <u>VT0006590</u> | Sealings set                  |                        | 1        |
| 6    | <u>VT0007821</u> | Hook block - 1 fall           | Automatic hook         | 1        |
| 6    | <u>VT0006591</u> | Hook block - 1 fall           | Standard hook assembly | 1        |
| 7    | <u>VT0006592</u> | Rubber chain stop             | L120W108H95            | 1        |
| 8    | <u>VT0006593</u> | Half casing set               |                        | 1        |
| 9    | <u>VT0006594</u> | Shaft                         |                        | 1        |
| 10   | <u>VT0006595</u> | Set of 10 load plates - Hook  | 800 Kg                 | 1        |
| 10   | <u>VT0006596</u> | Set of 10 load plates - Hook  | 1000 Kg                | 1        |
| 10   | <u>VT0006597</u> | Set of 10 load plates - Hook  | 1600 Kg                | 1        |
| 10   | <u>VT0006598</u> | Set of 10 load plates - Hook  | 2000 Kg                | 1        |
| 10   | <u>VT0006599</u> | Set of 10 load plates - Hook  | 2500 Kg                | 1        |
| 11   | <u>VT0006519</u> | Automatic hook assembly       | BKT-10-10              | 1        |
| 11   | <u>VT0006600</u> | Standard hook assembly        |                        | 1        |
| 12   | <u>VT0005902</u> | Safety latch                  |                        | 1        |
| 13   | <u>VT0006601</u> | Rubber chain stop             |                        | 1        |
| 14   | <u>VT0006602</u> | Chain stop                    |                        | 1        |
| 15   | <u>VT0006603</u> | Chain bucket                  | 12 m                   | 1        |
| 15   | <u>VT0007223</u> | Chain bucket                  | 30 m                   | 1        |
| 15   | <u>VT0007822</u> | Chain bucket                  | 50 m                   | 1        |
| 16   | <u>VT0006604</u> | Fixing set - Chain bucket     | 12 m                   | 1        |
| 16   | <u>VT0007049</u> | Fixing set - Chain bucket     | 30 m-50 m              | 1        |
| 17   | <u>VT0006605</u> | Galvanized chain 11.3x31      |                        | 1        |
| 17   | <u>VT0009329</u> | Stainless steel chain 11.3x31 |                        | 1        |
| 18   | <u>VT0006606</u> | Chain tools                   |                        | 1        |
| 19   | <u>VT0006607</u> | Ejector                       |                        | 1        |
| 20   | <u>VT0006608</u> | Activator set                 |                        | 1        |
| 21   | <u>VT0006025</u> | Oil can                       |                        | 1        |

## 2.2. Chain guide - 1 fall - Gear limit switch

Chain 11.3x31



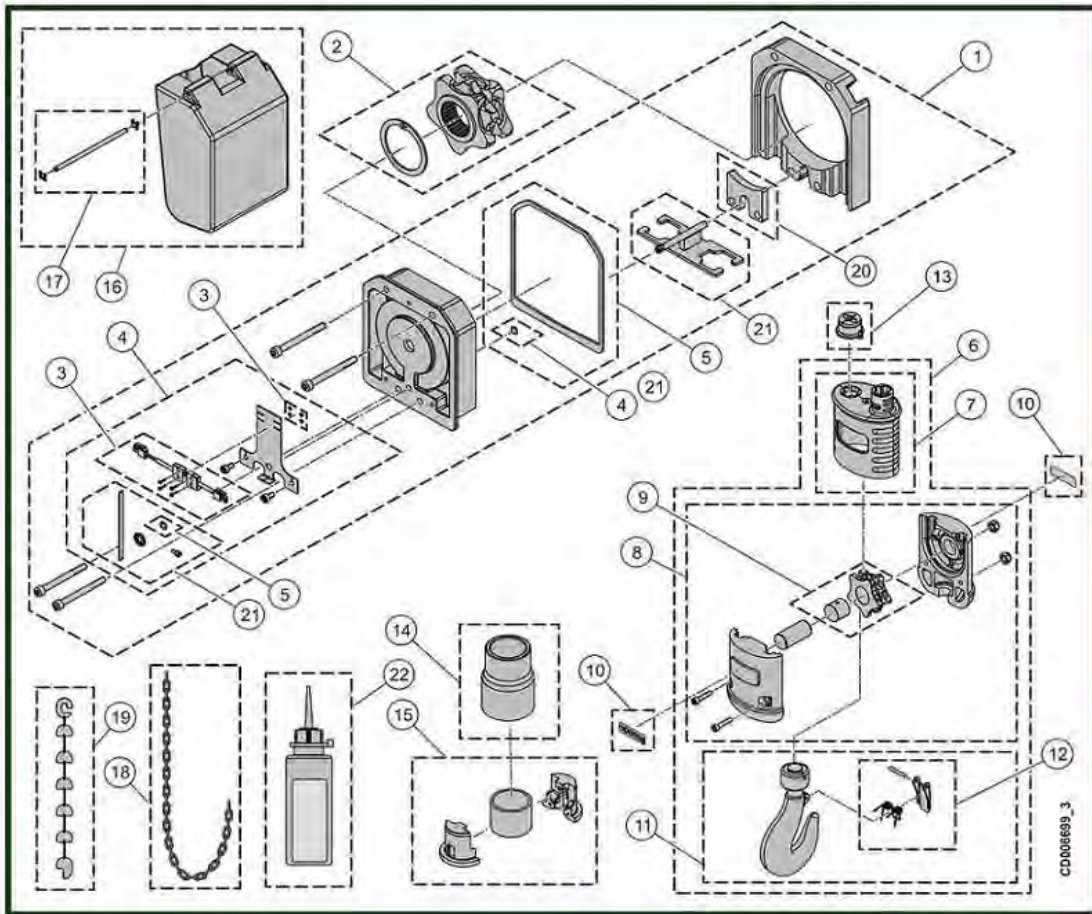
CD007927\_1

### Chain guide - 1 fall - Gear limit switch

| Item | Reference        | Description                     | Observation                | Quantity |
|------|------------------|---------------------------------|----------------------------|----------|
| 1    | <u>VT0008046</u> | Chain guide - Chain 11.3x31     | Gear limit switch          | 1        |
| 2    | <u>VT0006587</u> | Chain sprocket                  |                            | 1        |
| 3    | <u>VT0006113</u> | Rotating limit switch - 2 steps | 56m: 1 fall - 28m: 2 falls | 1        |
| 3    | <u>VT0006252</u> | Rotating limit switch - 4 steps | 56m: 1 fall - 28m: 2 falls | 1        |
| 4    | <u>VT0008047</u> | Limit switch activator          |                            | 1        |
| 5    | <u>VT0008048</u> | Sealings set                    |                            | 1        |
| 6    | <u>VT0007821</u> | Hook block - 1 fall             | Automatic hook             | 1        |
| 6    | <u>VT0006591</u> | Hook block - 1 fall             | Standard hook assembly     | 1        |
| 7    | <u>VT0006592</u> | Rubber chain stop               | L120W108H95                | 1        |
| 8    | <u>VT0006593</u> | Half casing set                 |                            | 1        |
| 9    | <u>VT0006594</u> | Shaft                           |                            | 1        |
| 10   | <u>VT0006595</u> | Set of 10 load plates - Hook    | 800 Kg                     | 1        |
| 10   | <u>VT0006596</u> | Set of 10 load plates - Hook    | 1000 Kg                    | 1        |
| 10   | <u>VT0006597</u> | Set of 10 load plates - Hook    | 1600 Kg                    | 1        |
| 10   | <u>VT0006598</u> | Set of 10 load plates - Hook    | 2000 Kg                    | 1        |
| 10   | <u>VT0006599</u> | Set of 10 load plates - Hook    | 2500 Kg                    | 1        |
| 11   | <u>VT0006519</u> | Automatic hook assembly         | BKT-10-10                  | 1        |
| 11   | <u>VT0006600</u> | Standard hook assembly          |                            | 1        |
| 12   | <u>VT0005902</u> | Safety latch                    |                            | 1        |
| 13   | <u>VT0006601</u> | Rubber chain stop               |                            | 1        |
| 14   | <u>VT0006602</u> | Chain stop                      |                            | 1        |
| 15   | <u>VT0006603</u> | Chain bucket                    | 12 m                       | 1        |
| 15   | <u>VT0007223</u> | Chain bucket                    | 30 m                       | 1        |
| 15   | <u>VT0007822</u> | Chain bucket                    | 50 m                       | 1        |
| 16   | <u>VT0006604</u> | Fixing set - Chain bucket       | 12 m                       | 1        |
| 16   | <u>VT0007049</u> | Fixing set - Chain bucket       | 30 m - 50 m                | 1        |
| 17   | <u>VT0006605</u> | Galvanized chain 11.3x31        |                            | 1        |
| 17   | <u>VT0009329</u> | Stainless steel chain 11.3x31   |                            | 1        |
| 18   | <u>VT0006606</u> | Chain tools                     |                            | 1        |
| 19   | <u>VT0006607</u> | Ejector                         |                            | 1        |
| 20   | <u>VT0006025</u> | Oil can                         |                            | 1        |
| 21   | <u>VT0008045</u> | Geared limit switch             |                            | 1        |

2.3. Chain guide - 2 falls - Standard limit switch

Chain 11.3x31



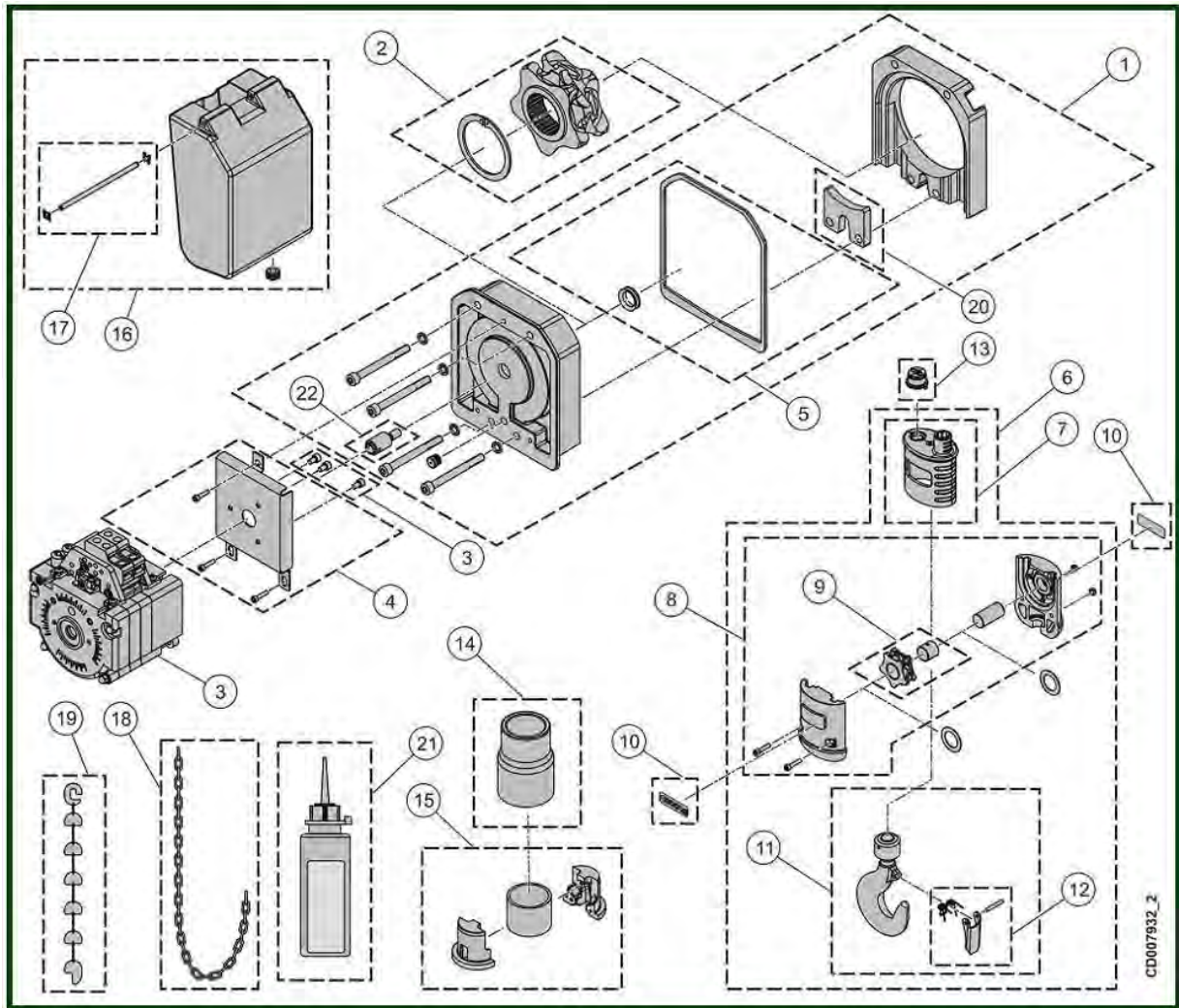
## Chain guide - 2 falls - Standard limit switch

### Chain 11.3x31

| Item | Reference        | Description                   | Observation            | Quantity |
|------|------------------|-------------------------------|------------------------|----------|
| 1    | <u>VT0006586</u> | Chain guide - Chain 11.3x31   | Standard limit switch  | 1        |
| 2    | <u>VT0006587</u> | Chain sprocket                |                        | 1        |
| 3    | <u>VT0006588</u> | Switch set                    |                        | 1        |
| 4    | <u>VT0006589</u> | Limit switch activator        |                        | 1        |
| 5    | <u>VT0006590</u> | Sealings set                  |                        | 1        |
| 6    | <u>VT0007823</u> | Hook block - 2 falls          | Automatic hook         | 1        |
| 6    | <u>VT0006609</u> | Hook block - 2 falls          | Standard hook assembly | 1        |
| 7    | <u>VT0006610</u> | Rubber chain stop             |                        | 1        |
| 8    | <u>VT0006611</u> | Half casing set               |                        | 1        |
| 9    | <u>VT0006612</u> | Chain sprocket                |                        | 1        |
| 10   | <u>VT0007824</u> | Set of 10 load plates - Hook  | 3200 Kg                | 1        |
| 10   | <u>VT0007825</u> | Set of 10 load plates - Hook  | 4000 Kg                | 1        |
| 10   | <u>VT0007826</u> | Set of 10 load plates - Hook  | 5000 Kg                | 1        |
| 11   | <u>VT0007832</u> | Automatic hook assembly       |                        | 1        |
| 11   | <u>VT0006613</u> | Standard hook assembly        |                        | 1        |
| 12   | <u>VT0005902</u> | Safety latch                  |                        | 1        |
| 13   | <u>VT0006614</u> | Fixing module                 |                        | 1        |
| 14   | <u>VT0006601</u> | Rubber chain stop             |                        | 1        |
| 15   | <u>VT0006602</u> | Chain stop                    |                        | 1        |
| 16   | <u>VT0006603</u> | Chain bucket                  | 12 m                   | 1        |
| 16   | <u>VT0007223</u> | Chain bucket                  | 30 m                   | 1        |
| 16   | <u>VT0007822</u> | Chain bucket                  | 50 m                   | 1        |
| 17   | <u>VT0006604</u> | Fixing set - Chain bucket     | 12 m                   | 1        |
| 17   | <u>VT0007049</u> | Fixing set - Chain bucket     | 30 m-50 m              | 1        |
| 18   | <u>VT0006605</u> | Galvanized chain 11.3x31      |                        | 1        |
| 18   | <u>VT0009329</u> | Stainless steel chain 11.3x31 |                        | 1        |
| 19   | <u>VT0006606</u> | Chain tools                   |                        | 1        |
| 20   | <u>VT0006607</u> | Ejector                       |                        | 1        |
| 21   | <u>VT0006608</u> | Activator set                 |                        | 1        |
| 22   | <u>VT0006025</u> | Oil can                       |                        | 1        |

2.4. Chain guide - 2 falls - Gear limit switch

Chain 11.3x31



CD007932\_2

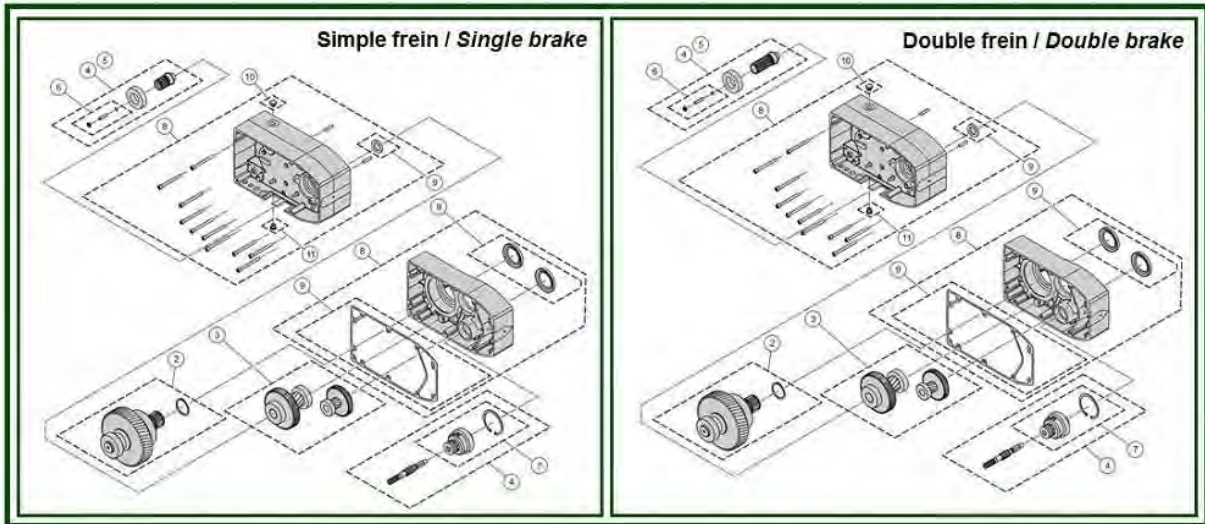
## Chain guide - 2 falls - Gear limit switch

### Chain 11.3x31

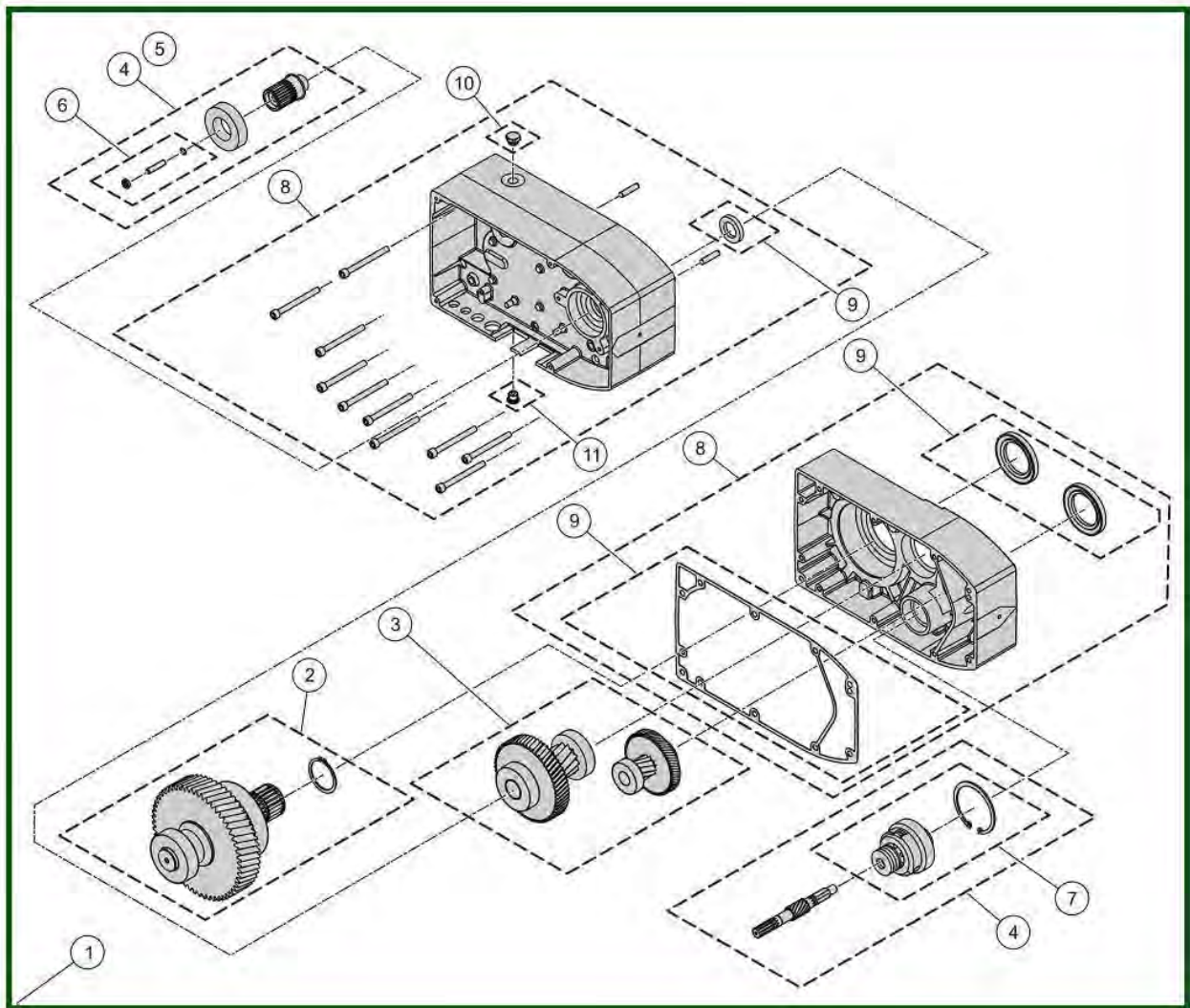
| Item | Reference        | Description                     | Observation                | Quantity |
|------|------------------|---------------------------------|----------------------------|----------|
| 1    | <u>VT0008046</u> | Chain guide - Chain 11.3x31     | Gear limit switch          | 1        |
| 2    | <u>VT0006587</u> | Chain sprocket                  |                            | 1        |
| 3    | <u>VT0006113</u> | Rotating limit switch - 2 steps | 56m: 1 fall - 28m: 2 falls | 1        |
| 3    | <u>VT0006252</u> | Rotating limit switch - 4 steps | 56m: 1 fall - 28m: 2 falls | 1        |
| 4    | <u>VT0008047</u> | Limit switch activator          |                            | 1        |
| 5    | <u>VT0008048</u> | Sealings set                    |                            | 1        |
| 6    | <u>VT0007823</u> | Hook block - 2 falls            | Automatic hook             | 1        |
| 6    | <u>VT0006609</u> | Hook block - 2 falls            | Standard hook assembly     | 1        |
| 7    | <u>VT0006610</u> | Rubber chain stop               |                            | 1        |
| 8    | <u>VT0006611</u> | Half casing set                 |                            | 1        |
| 9    | <u>VT0006612</u> | Chain sprocket                  |                            | 1        |
| 10   | <u>VT0007824</u> | Set of 10 load plates - Hook    | 3200 Kg                    | 1        |
| 10   | <u>VT0007825</u> | Set of 10 load plates - Hook    | 4000 Kg                    | 1        |
| 10   | <u>VT0007826</u> | Set of 10 load plates - Hook    | 5000 Kg                    | 1        |
| 11   | <u>VT0007832</u> | Automatic hook assembly         |                            | 1        |
| 11   | <u>VT0006613</u> | Standard hook assembly          |                            | 1        |
| 12   | <u>VT0005902</u> | Safety latch                    |                            | 1        |
| 13   | <u>VT0006614</u> | Fixing module                   |                            | 1        |
| 14   | <u>VT0006601</u> | Rubber chain stop               |                            | 1        |
| 15   | <u>VT0006602</u> | Chain stop                      |                            | 1        |
| 16   | <u>VT0006603</u> | Chain bucket                    | 12 m                       | 1        |
| 16   | <u>VT0007223</u> | Chain bucket                    | 30 m                       | 1        |
| 16   | <u>VT0007822</u> | Chain bucket                    | 50 m                       | 1        |
| 17   | <u>VT0006604</u> | Fixing set - Chain bucket       | 12 m                       | 1        |
| 17   | <u>VT0007049</u> | Fixing set - Chain bucket       | 30 m-50 m                  | 1        |
| 18   | <u>VT0006605</u> | Galvanized chain 11.3x31        |                            | 1        |
| 18   | <u>VT0009329</u> | Stainless steel chain 11.3x31   |                            | 1        |
| 19   | <u>VT0006606</u> | Chain tools                     |                            | 1        |
| 20   | <u>VT0006607</u> | Ejector                         |                            | 1        |
| 21   | <u>VT0006025</u> | Oil can                         |                            | 1        |
| 22   | <u>VT0008045</u> | Geared limit switch             |                            | 1        |



### 3. GEAR



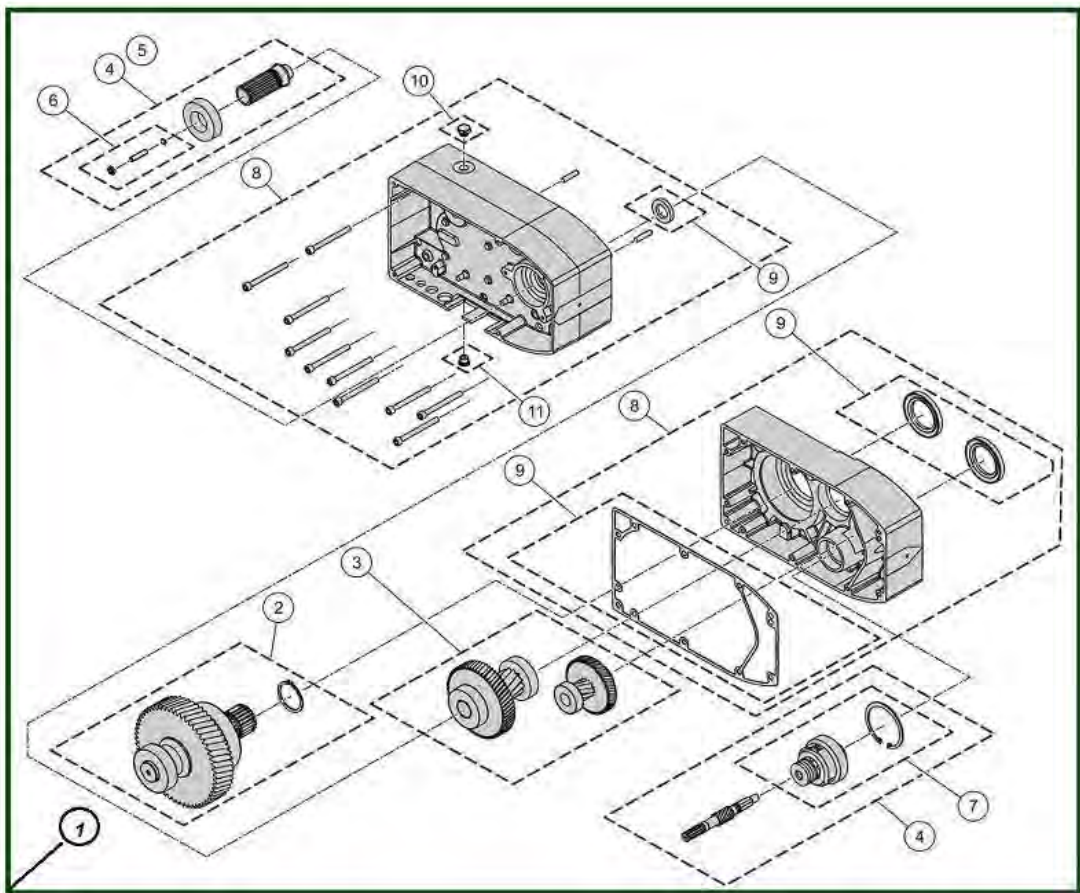
### 3.1. Single brake



## Single brake

| Item | Reference        | Description                 | Observation  | Quantity |
|------|------------------|-----------------------------|--|----------|
| 1    | <u>VT0006617</u> | Gear assembly- Single brake | 4m/min: 2 falls<br>8m/min: 1 fall                            | 1        |
| 1    | <u>VT0006618</u> | Gear assembly- Single brake | 6,3 m/min: 2 falls<br>12.5 m/min: 1 fall                     | 1        |
| 1    | <u>VT0006619</u> | Gear assembly- Single brake | 16 m/min   | 1        |
| 1    | <u>VT0006620</u> | Gear assembly- Single brake | 20 m/min   | 1        |
| 2    | <u>VT0006625</u> | Primary gear - pinion set   |  | 1        |
| 3    | <u>VT0006627</u> | Second gear pinion set      | 6,3 m/min: 2 falls<br>12.5 m/min: 1 fall                     | 1        |
| 3    | <u>VT0006628</u> | Second gear pinion set      | 16 m/min   | 1        |
| 3    | <u>VT0006629</u> | Second gear pinion set      | 20 m/min   | 1        |
| 3    | <u>VT0006626</u> | Second gear pinion set      | 4m/min: 2 falls<br>8m/min: 1 fall                            | 1        |
| 4    | <u>VT0006630</u> | Gear shaft with clutch      | Single brake   | 1        |
| 5    | <u>VT0006632</u> | Coupling - Brake side       | Single brake   | 1        |
| 6    | <u>VT0006634</u> | Screw set                   |  | 1        |
| 7    | <u>VT0006635</u> | Clutch set                  |  | 1        |
| 8    | <u>VT0006636</u> | Frame                       |  | 1        |
| 9    | <u>VT0006637</u> | Sealing set                 |  | 1        |
| 10   | <u>VT0006638</u> | Breather                    |  | 1        |
| 11   | <u>VT0006639</u> | End cap                     |  | 1        |
| -    | <u>VT0006615</u> | Oil can gearbox VR          | ATF320<br>02=0.25l /05=0.23l /10=0.60l /16=1.42l<br>/25=2,00 | 2        |

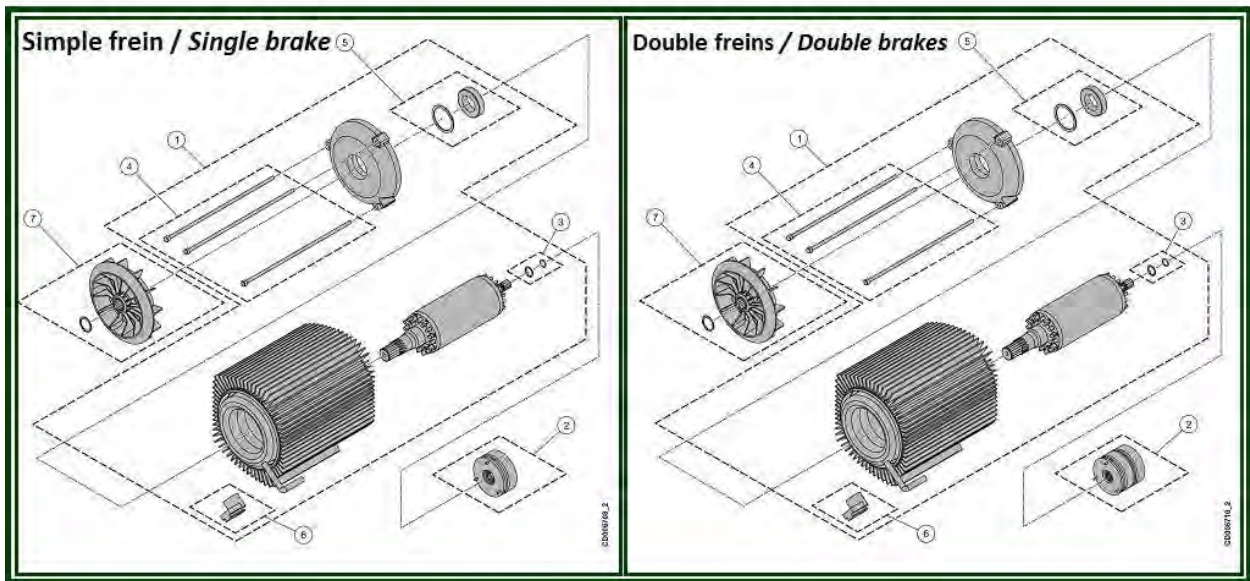
### 3.2. Double brakes



## Double brakes

| Item | Reference        | Description                   | Observation   | Quantity |
|------|------------------|-------------------------------|---|----------|
| 1    | <u>VT0006621</u> | Gear assembly - Double brakes | 4m/min: 2 falls<br>8m/min: 1 fall                           | 1        |
| 1    | <u>VT0006622</u> | Gear assembly - Double brakes | 6,3 m/min: 2 falls<br>12.5 m/min: 1 fall                    | 1        |
| 1    | <u>VT0006623</u> | Gear assembly - Double brakes | 16 m/min  | 1        |
| 1    | <u>VT0006624</u> | Gear assembly - Double brakes | 20 m/min  | 1        |
| 2    | <u>VT0006625</u> | Primary gear - pinion set     |   | 1        |
| 3    | <u>VT0006627</u> | Second gear pinion set        | 6,3 m/min: 2 falls<br>12.5 m/min: 1 fall                    | 1        |
| 3    | <u>VT0006628</u> | Second gear pinion set        | 16 m/min  | 1        |
| 3    | <u>VT0006629</u> | Second gear pinion set        | 20 m/min  | 1        |
| 3    | <u>VT0006626</u> | Second gear pinion set        | 4m/min: 2 falls<br>8m/min: 1 fall                           | 1        |
| 4    | <u>VT0006631</u> | Gear shaft with clutch        | Double brakes   | 1        |
| 5    | <u>VT0006633</u> | Coupling - Brake side         | Double brakes   | 1        |
| 6    | <u>VT0006634</u> | Screw set                     |   | 1        |
| 7    | <u>VT0006635</u> | Clutch set                    |   | 1        |
| 8    | <u>VT0006636</u> | Frame                         |   | 1        |
| 9    | <u>VT0006637</u> | Sealing set                   |   | 1        |
| 10   | <u>VT0006638</u> | Breather                      |   | 1        |
| 11   | <u>VT0006639</u> | End cap                       |   | 1        |
| -    | <u>VT0006615</u> | Oil can gearbox VR            | ATF320<br>02=0.25l /05=0.23l /10=0.60l<br>16=1.42l /25=2,00 | 2        |

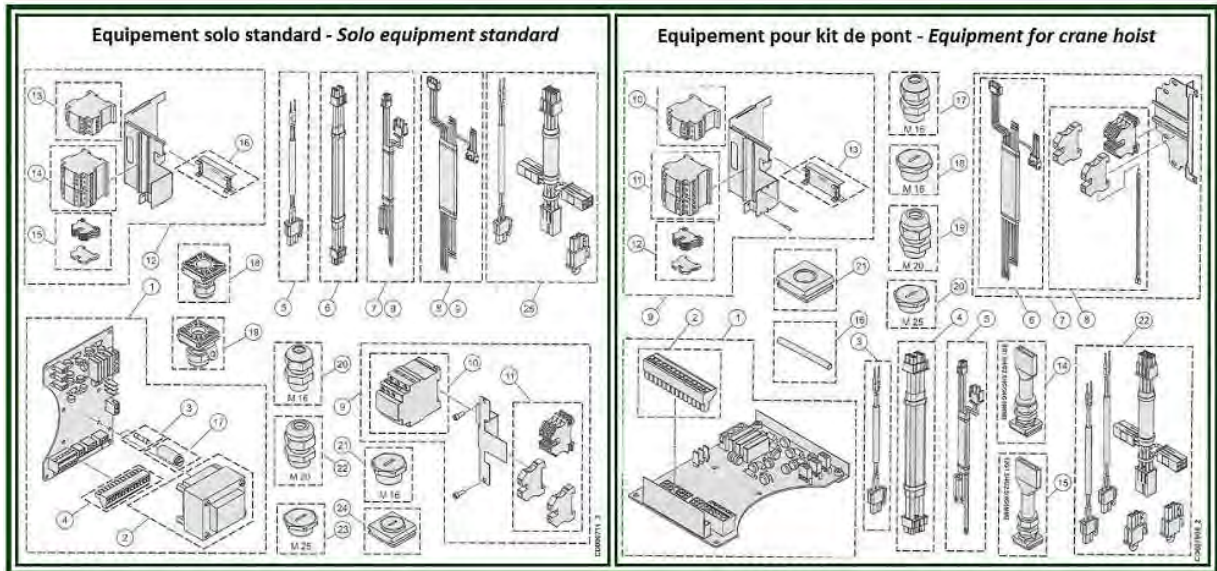
#### 4. MOTOR- Single brake & Double brakes



### Motor - Single brake & Double brakes

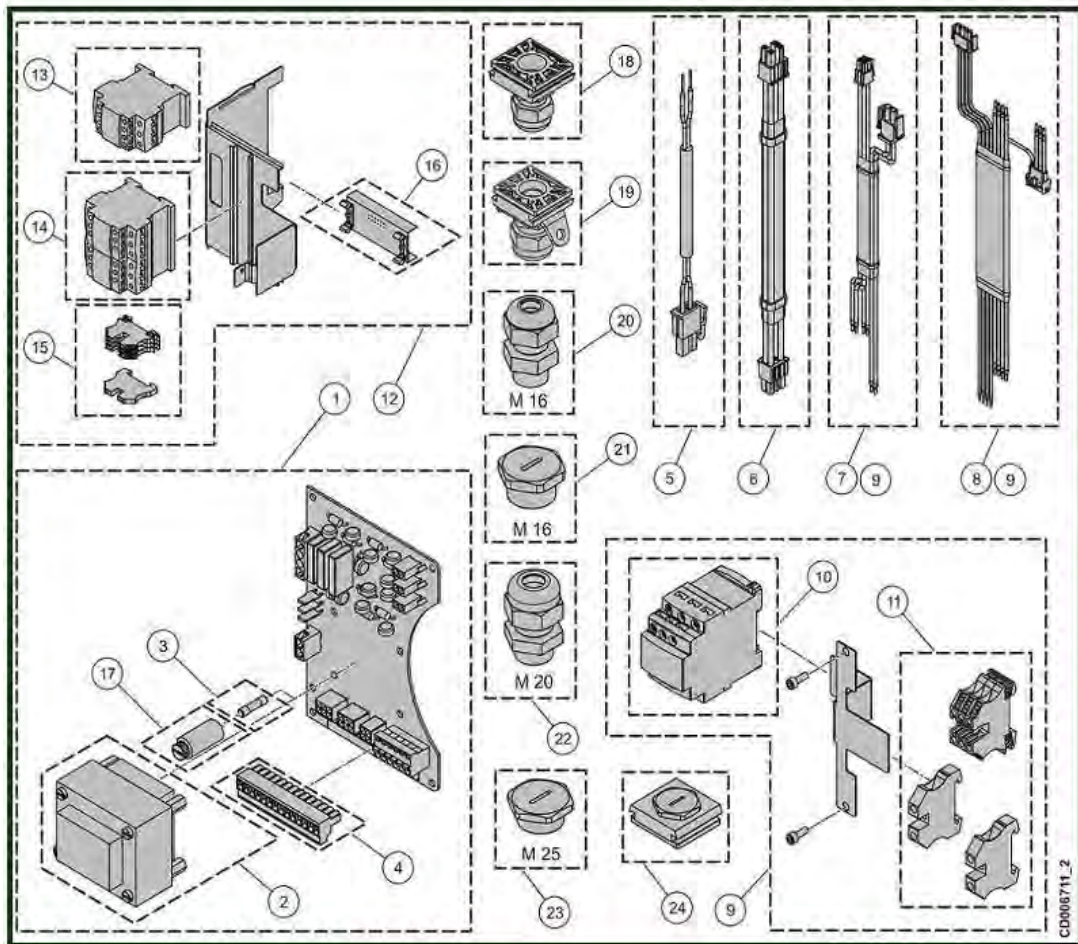
| Item | Reference        | Description      | Observation   | Quantity |
|------|------------------|------------------|---|----------|
| 1    | <u>VT0006645</u> | Motor - 2 speeds | 220-230V-240V 50Hz<br>Without fan                                 | 1        |
| 1    | <u>VT0006647</u> | Motor - 2 speeds | 380-400V 60Hz<br>Without fan                                      | 1        |
| 1    | <u>VT0006644</u> | Motor - 2 speeds | 380-415V 50Hz / 440-480V 60Hz<br>Without fan                      | 1        |
| 1    | <u>VT0006649</u> | Motor - 2 speeds | 500-525V 50Hz / 575-600V 60Hz<br>Without fan                      | 1        |
| 1    | <u>VT0006646</u> | Motor - 2 speeds | 660-690V 50Hz<br>Without fan                                      | 1        |
| 1    | <u>VT0006648</u> | Motor - 2 speeds | 660-690V 60Hz<br>Without fan                                      | 1        |
| 2    | <u>VT0007886</u> | Single brake     | 103VDC - 230 V<br>VR16 & VR25<br>Double brakes = Single brake x 2 | 1        |
| 2    | <u>VT0007885</u> | Single brake     | 180VDC - 400V<br>Double brakes = Single brake x 2                 | 1        |
| 2    | <u>VT0007887</u> | Single brake     | 255VDC - 500V<br>Double brakes = Single brake x 2                 | 1        |
| 2    | <u>VT0007888</u> | Single brake     | 320VDC - 600V-690V<br>Double brakes = Single brake x 2            | 1        |
| 3    | <u>VT0006654</u> | Retaining ring   |   | 1        |
| 4    | <u>VT0006655</u> | Screw set        |   | 1        |
| 5    | <u>VT0005912</u> | Bearing set      |   | 1        |
| 6    | <u>VT0006656</u> | Grommet          |   | 1        |
| 7    | <u>VT0005915</u> | Fan set          |   | 1        |

## 5. ELECTRICAL PARTS





### 5.1. Solo equipment – Standard



### Solo equipment – Standard

| Item | Reference                 | Description       | Observation                                | Quantity |
|------|---------------------------|-------------------|--|----------|
| 1    | <a href="#">VT0007668</a> | CI board          | 208-230V/110-115V/50-60Hz                  | 1        |
| 1    | <a href="#">VT0007667</a> | CI board          | 230V / 48V / 50-60Hz                       | 1        |
| 1    | <a href="#">VT0006738</a> | CI board          | 380-415V / 24V / 50 60Hz                   | 1        |
| 1    | <a href="#">VT0006657</a> | CI board          | 380-415V / 48V / 50-60Hz                   | 1        |
| 1    | <a href="#">VT0007665</a> | CI board          | 380-415V / 110-115V / 50-60Hz              | 1        |
| 1    | <a href="#">VT0007666</a> | CI board          | 380-415V / 230V / 50-60Hz                  | 1        |
| 1    | <a href="#">VT0007669</a> | CI board          | 440-480V / 48V /50-60Hz                    | 1        |
| 1    | <a href="#">VT0007670</a> | CI board          | 440-480V / 110-115V / 50-60Hz              | 1        |
| 1    | <a href="#">VT0007671</a> | CI board          | 500-525V / 48V / 50-60Hz                   | 1        |
| 1    | <a href="#">VT0007672</a> | CI board          | 500-525V/110-115V / 50-60Hz                | 1        |
| 1    | <a href="#">VT0007695</a> | CI board          | 500-525V/230V / 50-60Hz                    | 1        |
| 1    | <a href="#">VT0007673</a> | CI board          | 575V/48V / 50-60Hz                         | 1        |
| 1    | <a href="#">VT0007674</a> | CI board          | 575V/110-115V / 50-60Hz                    | 1        |
| 1    | <a href="#">VT0007675</a> | CI board          | 690V /48V / 50-60Hz                        | 1        |
| 1    | <a href="#">VT0007676</a> | CI board          | 690V /110-115V / 50-60Hz                   | 1        |
| 2    | <a href="#">VT0007684</a> | Transformer       | 230V/48V / 50-60Hz                         | 1        |
| 2    | <a href="#">VT0007685</a> | Transformer       | 230V/110-115V / 50-60Hz                    | 1        |
| 2    | <a href="#">VT0006739</a> | Transformer       | 380-415V / 24V / 50 60Hz                   | 1        |
| 2    | <a href="#">VT0006658</a> | Transformer       | 380-415V / 48V / 50-60Hz                   | 1        |
| 2    | <a href="#">VT0007682</a> | Transformer       | 380-415V / 110-115V / 50-60Hz              | 1        |
| 2    | <a href="#">VT0007683</a> | Transformer       | 380-415V / 230V / 50-60Hz                  | 1        |
| 2    | <a href="#">VT0007686</a> | Transformer       | 440-480V/48V / 50-60Hz                     | 1        |
| 2    | <a href="#">VT0007687</a> | Transformer       | 440-480V/110V-115V / 50-60Hz               | 1        |
| 2    | <a href="#">VT0007688</a> | Transformer       | 500-525V/48V / 50-60Hz                     | 1        |
| 2    | <a href="#">VT0007689</a> | Transformer       | 500-525V/110V-115V / 50-60Hz               | 1        |
| 2    | <a href="#">VT0007690</a> | Transformer       | 500-525V/230V / 50-60Hz                    | 1        |
| 2    | <a href="#">VT0007691</a> | Transformer       | 575V / 48V / 50-60Hz                       | 1        |
| 2    | <a href="#">VT0007692</a> | Transformer       | 575V / 115V / 50-60Hz                      | 1        |
| 2    | <a href="#">VT0007693</a> | Transformer       | 690V / 48V / 50-60Hz                       | 1        |
| 2    | <a href="#">VT0007694</a> | Transformer       | 690V / 110-115V/ 50-60Hz                   | 1        |
| 3    | <a href="#">VT0007706</a> | Fuses set         | Control voltage24V/48V                     | 1        |
| 3    | <a href="#">VT0007707</a> | Fuses set         | Control voltage110V/115V                   | 1        |
| 3    | <a href="#">VT0007306</a> | Fuses set         | Control voltage230V                        | 1        |
| 4    | <a href="#">VT0005108</a> | Pendant connector | 14P  | 1        |
| 5    | <a href="#">VT0008550</a> | GLS cable         | Quantity<br>2 for 2 Cames or 4 for 4 Cames | 1        |

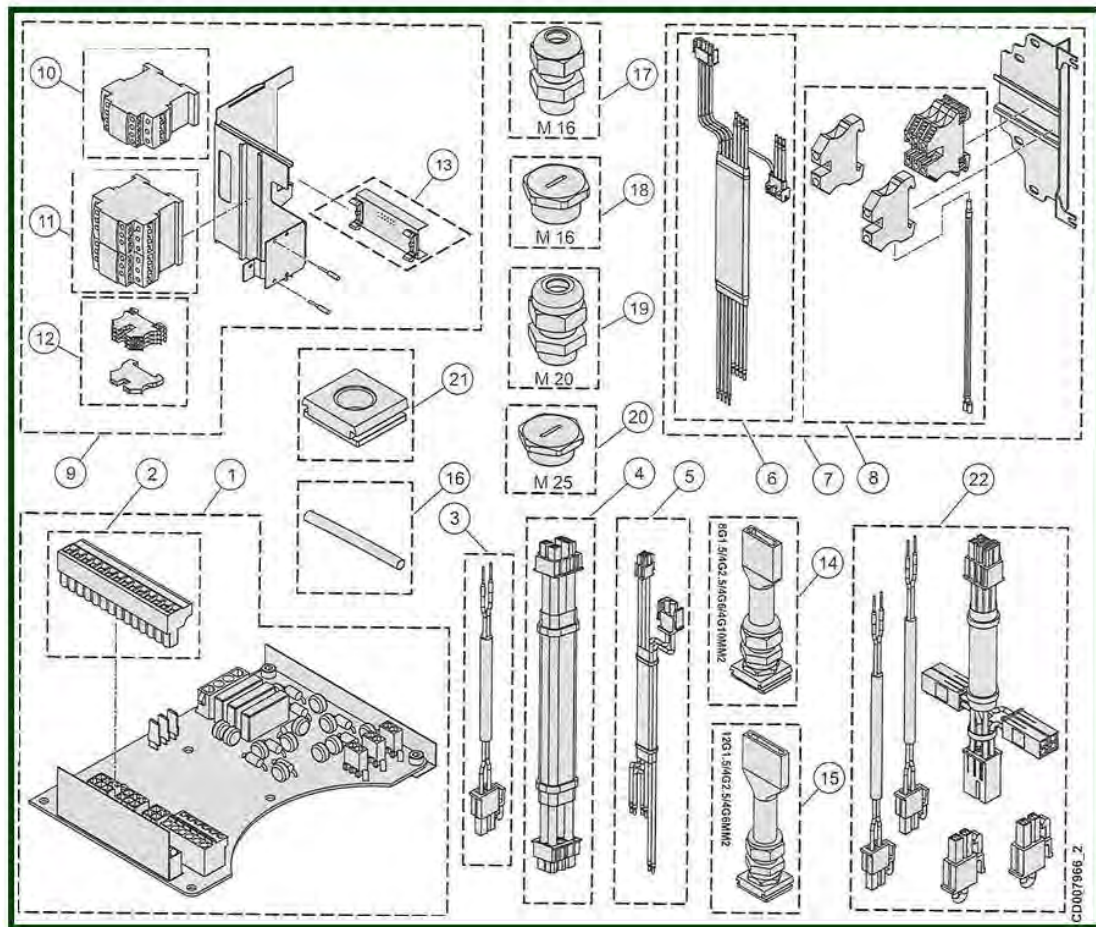
### Solo equipment – Standard

| Item | Reference                 | Description                           | Observation                              | Quantity |
|------|---------------------------|---------------------------------------|--|----------|
| 6    | <a href="#">VT0006662</a> | Linking cable                         | 230V / 24V / 50-60Hz                     | 1        |
| 7    | <a href="#">VT0006663</a> | Linking cable                         | 230V / 24V / 50-60Hz                     | 1        |
| 8    | <a href="#">VT0006664</a> | Linking cable                         | 208V-690V / 50-60Hz                      | 1        |
| 9    | <a href="#">VT0007661</a> | PC board Power connection             | 208V-690V / 50-60Hz                      | 1        |
| 9    | <a href="#">VT0007662</a> | Linking cable                         | 208V-690V /24V / 50-60Hz                 | 1        |
| 9    | <a href="#">VT0007663</a> | Linking cable                         | 208V-690V /48V / 50-60Hz                 | 1        |
| 9    | <a href="#">VT0007664</a> | Linking cable                         | 208V-690V/230V / 50-60Hz                 | 1        |
| 10   | <a href="#">VT0007696</a> | Contacteur ON/OFF                     | 24V                                      | 1        |
| 10   | <a href="#">VT0006731</a> | Contacteur ON/OFF                     | 48V                                      | 1        |
| 10   | <a href="#">VT0007697</a> | Contacteur ON/OFF                     | 110V                                     | 1        |
| 10   | <a href="#">VT0007698</a> | Contacteur ON/OFF                     | 230V                                     | 1        |
| 11   | <a href="#">VT0007708</a> | Terminal block set                    |  | 1        |
| 12   | <a href="#">VT0007680</a> | Electrical board - 2HS                | 208-230V / 48V / 50-60Hz                 | 1        |
| 12   | <a href="#">VT0007681</a> | Electrical board - 2HS                | 208-230V / 110-115V / 50-60Hz            | 1        |
| 12   | <a href="#">VT0006666</a> | Electrical board - 2HS                | 380-690V / 48V / 50-60Hz                 | 1        |
| 12   | <a href="#">VT0007678</a> | Electrical board - 2HS                | 380-690V / 110-115V / 50-60Hz            | 1        |
| 12   | <a href="#">VT0007679</a> | Electrical board - 2HS                | 380-690V / 230V / 50-60Hz                | 1        |
| 12   | <a href="#">VT0007677</a> | Electrical board - 2HS                | 380V-690V/ 24V / 50-60Hz                 | 1        |
| 13   | <a href="#">VT0007699</a> | Selector contactor                    | 208-230V / 48V / 50-60Hz                 | 1        |
| 13   | <a href="#">VT0007700</a> | Selector contactor                    | 208-230V / 110V / 50-60Hz                | 1        |
| 13   | <a href="#">VT0006737</a> | Selector contactor                    | 380-690V / 48V / 50-60Hz                 | 1        |
| 13   | <a href="#">VT0006740</a> | Selector contactor                    | 380-690V / 110-115V / 50-60Hz            | 1        |
| 13   | <a href="#">VT0006741</a> | Selector contactor                    | 380-690V / 230V / 50-60Hz                | 1        |
| 13   | <a href="#">VT0006736</a> | Selector contactor                    | 380V-690V/24V / 50-60Hz                  | 1        |
| 14   | <a href="#">VT0007703</a> | Reversing contactor                   | 380V-690V/24V / 50-60Hz                  | 1        |
| 14   | <a href="#">VT0007701</a> | Selector contactor                    | 208-230V / 48V / 50-60Hz                 | 1        |
| 14   | <a href="#">VT0007702</a> | Selector contactor                    | 208-230V / 110V / 50-60Hz                | 1        |
| 14   | <a href="#">VT0006743</a> | Selector contactor                    | 380-690V /48V / 50-60Hz                  | 1        |
| 14   | <a href="#">VT0007704</a> | Selector contactor                    | 380-690V / 110V-115V / 50-60Hz           | 1        |
| 14   | <a href="#">VT0007705</a> | Selector contactor                    | 380-690V / 230V / 50-60Hz                | 1        |
| 15   | <a href="#">VT0007709</a> | Terminal block set                    |  | 1        |
| 16   | <a href="#">VT0006732</a> | Terminal block set                    | 230V / 24 - 50/60Hz                      | 1        |
| 17   | <a href="#">VT0006191</a> | Porte fusible                         |  | 1        |
| 18   | <a href="#">VT0006393</a> | Cable gland set<br>Square cable entry | CG M20- ISO 20<br>Trolley – Power supply | 1        |

### Solo equipment – Standard

| Item | Reference        | Description                           | Observation | Quantity |
|------|------------------|---------------------------------------|-------------|----------|
| 19   | <u>VT0005090</u> | Cable gland set<br>Square cable entry | Push button | 1        |
| 20   | <u>VT0006640</u> | Cable gland                           | M16         | 1        |
| 21   | <u>VT0006641</u> | Cap                                   | M16         | 1        |
| 22   | <u>VT0004924</u> | Cable gland                           | M20         | 1        |
| 23   | <u>VT0006643</u> | Cap                                   | M25         | 1        |
| 24   | <u>VT0006089</u> | Cap<br>Square cable entry             |             | 1        |
| 25   | <u>VT0008551</u> | Set of connection GLS                 | FDC MS +GLS | 1        |
| -    | <u>VT0006967</u> | Time counter                          |             | 1        |

## 5.2. Equipment for crane kit



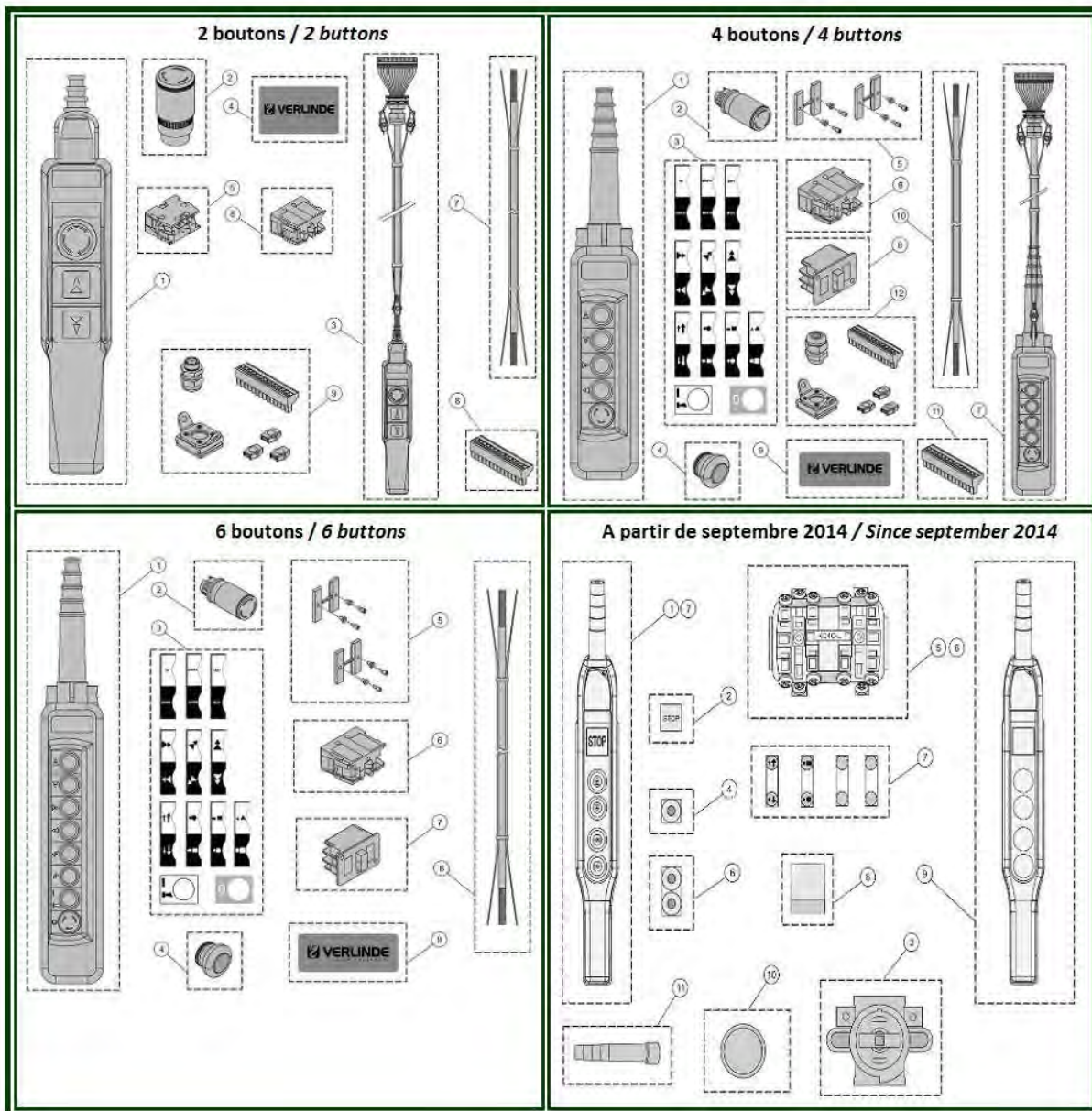
### Equipment for crane kit

| Item | Reference        | Description               | Observation                    | Quantity |
|------|------------------|---------------------------|--------------------------------|----------|
| 1    | <u>VT0008072</u> | Platine CI - Pont         | 208V 600V / 50-60Hz            | 1        |
| 2    | <u>VT0005108</u> | Connector                 | 14P                            | 1        |
| 3    | <u>VT0006661</u> | Linking cable             | 230V / 24V / 50-60Hz           | 1        |
| 4    | <u>VT0006662</u> | Linking cable             | 230V / 24V / 50-60Hz           | 1        |
| 5    | <u>VT0006663</u> | Linking cable             | 230V / 24V / 50-60Hz           | 1        |
| 6    | <u>VT0006664</u> | Linking cable             | 208V-690V / 50-60Hz            | 1        |
| 7    | <u>VT0007661</u> | PC board Power connection | 208V-690V / 50-60Hz            | 1        |
| 8    | <u>VT0007708</u> | Terminal block set        |                                | 1        |
| 9    | <u>VT0007680</u> | Electrical board - 2HS    | 208-230V / 48V / 50-60Hz       | 1        |
| 9    | <u>VT0007681</u> | Electrical board - 2HS    | 208-230V / 110-115V / 50-60Hz  | 1        |
| 9    | <u>VT0006666</u> | Electrical board - 2HS    | 380-690V / 48V / 50-60Hz       | 1        |
| 9    | <u>VT0007678</u> | Electrical board - 2HS    | 380-690V / 110-115V / 50-60Hz  | 1        |
| 9    | <u>VT0007679</u> | Electrical board - 2HS    | 380-690V / 230V / 50-60Hz      | 1        |
| 9    | <u>VT0007677</u> | Electrical board - 2HS    | 380V-690V/ 24V / 50-60Hz       | 1        |
| 10   | <u>VT0007699</u> | Selector contactor        | 208-230V / 48V / 50-60Hz       | 1        |
| 10   | <u>VT0007700</u> | Selector contactor        | 208-230V / 110V / 50-60Hz      | 1        |
| 10   | <u>VT0006737</u> | Selector contactor        | 380-690V / 48V / 50-60Hz       | 1        |
| 10   | <u>VT0006740</u> | Selector contactor        | 380-690V / 110-115V / 50-60Hz  | 1        |
| 10   | <u>VT0006741</u> | Selector contactor        | 380-690V / 230V / 50-60Hz      | 1        |
| 10   | <u>VT0006736</u> | Selector contactor        | 380V-690V/24V / 50-60Hz        | 1        |
| 11   | <u>VT0007703</u> | Reversing contactor       | 380V-690V/24V / 50-60Hz        | 1        |
| 11   | <u>VT0007701</u> | Selector contactor        | 208-230V / 48V / 50-60Hz       | 1        |
| 11   | <u>VT0007702</u> | Selector contactor        | 208-230V / 110V / 50-60Hz      | 1        |
| 11   | <u>VT0006743</u> | Selector contactor        | 380-690V / 48V / 50-60Hz       | 1        |
| 11   | <u>VT0007704</u> | Selector contactor        | 380-690V / 110V-115V / 50-60Hz | 1        |
| 11   | <u>VT0007705</u> | Selector contactor        | 380-690V / 230V / 50-60Hz      | 1        |

### Equipment for crane kit

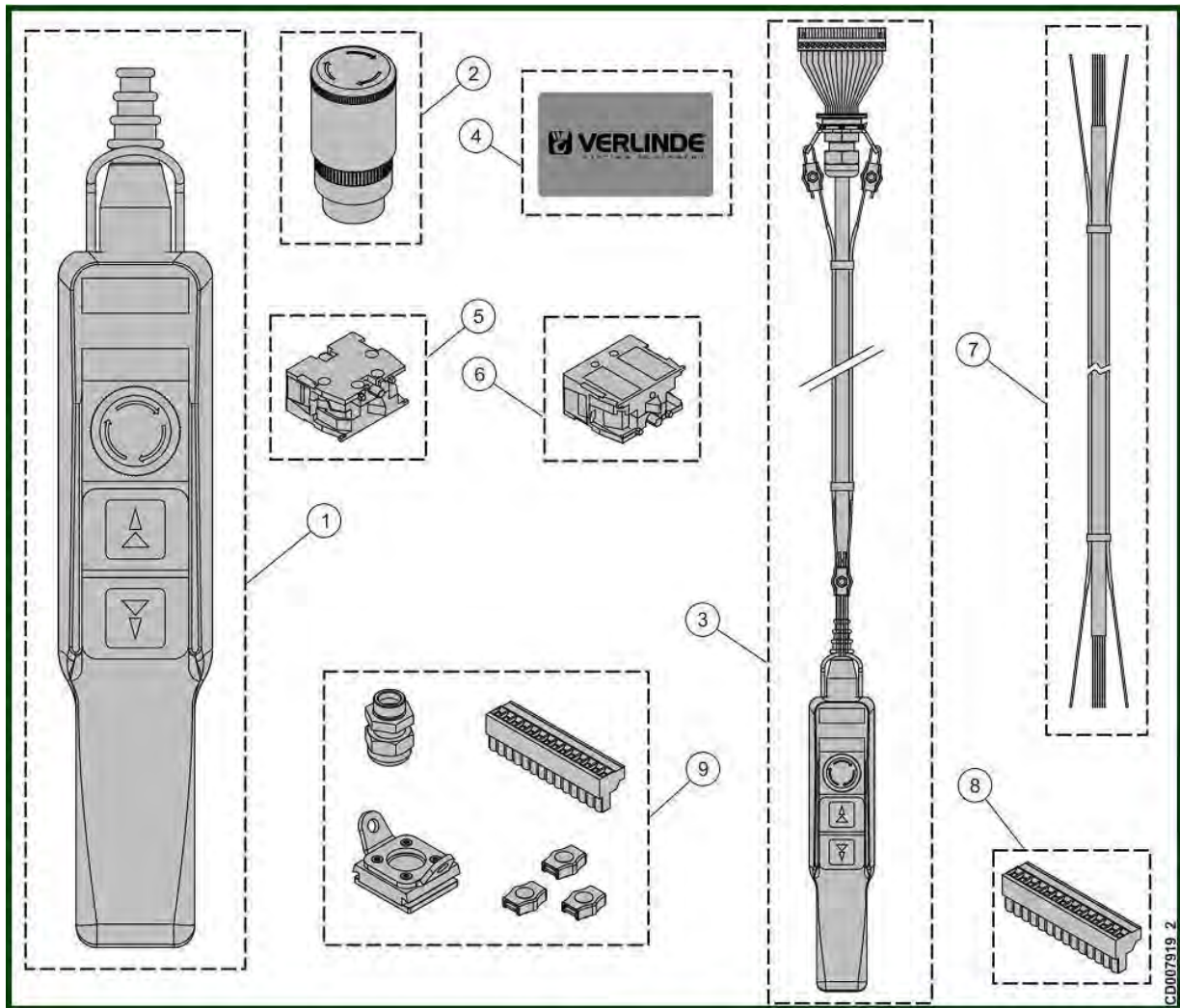
| Item | Reference        | Description                           | Observation                  | Quantity |
|------|------------------|---------------------------------------|------------------------------|----------|
| 12   | <u>VT0007709</u> | Terminal block set                    |                              | 1        |
| 13   | <u>VT0006732</u> | Terminal block set                    | 230V / 24 - 50/60Hz          | 1        |
| 14   | <u>VT0007780</u> | Cable gland set<br>Square cable entry | 8G1.5/4G2.5/4G6/4G10mm2      | 1        |
| 15   | <u>VT0006454</u> | Cable gland set<br>Square cable entry | 12G1.5/4G2.5/4G6mm2 - ISO 25 | 1        |
| 16   | <u>VT0007781</u> | Head shrinkable tube                  |                              | 1        |
| 17   | <u>VT0006640</u> | Cable gland                           | M16                          | 1        |
| 18   | <u>VT0006641</u> | Cap                                   | M16                          | 1        |
| 19   | <u>VT0004924</u> | Cable gland                           | M20                          | 1        |
| 20   | <u>VT0006643</u> | Cap                                   | M25                          | 1        |
| 21   | <u>VT0006089</u> | Cap<br>Square cable entry             |                              | 1        |
| 22   | <u>VT0008551</u> | Set of connection GLS                 | FDC MS +GLS                  | 1        |
| -    | <u>VT0006967</u> | Time counter                          |                              | 1        |

## 6. PUSH BUTTON CONTROLLER





### 6.1. 2 buttons

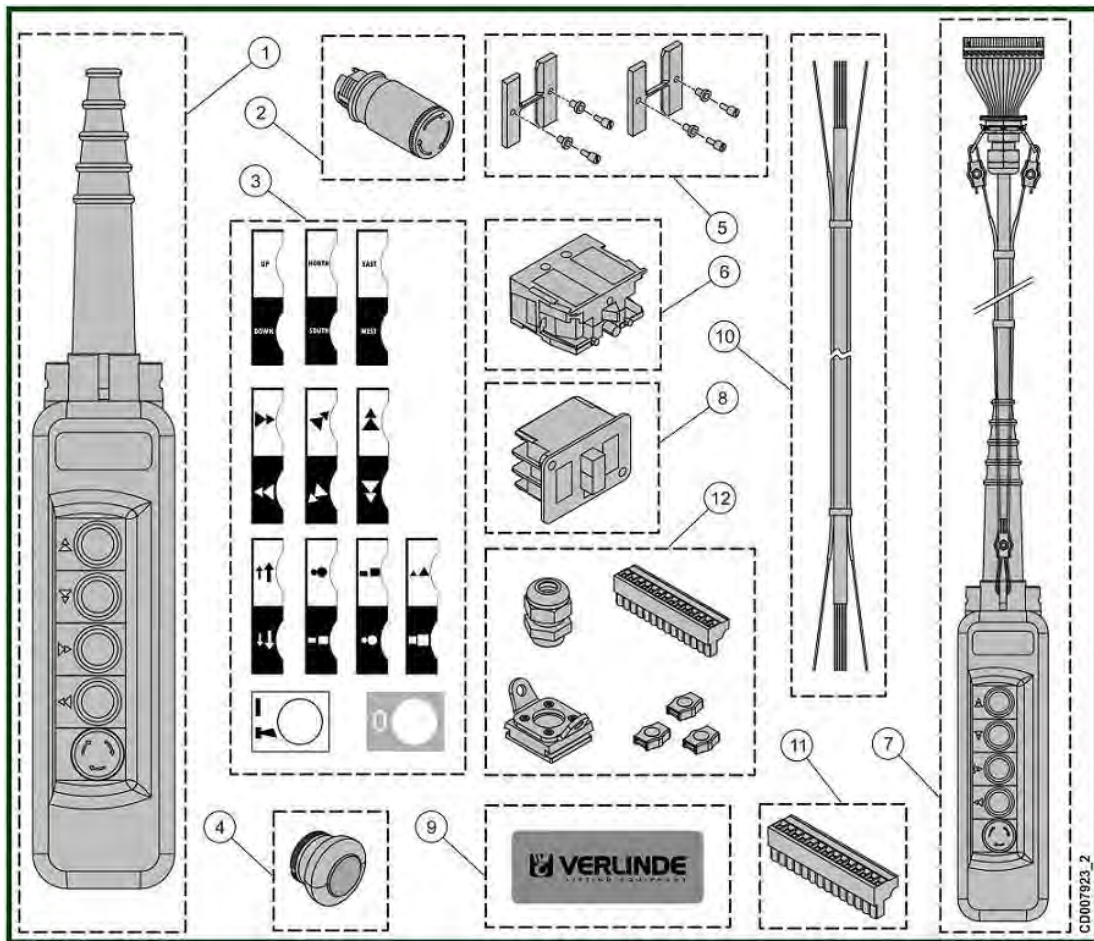


CD007919 2

## 2 buttons

| Item | Reference        | Description               | Observation                | Quantity |
|------|------------------|---------------------------|----------------------------|----------|
| 1    | <u>VT0005061</u> | Push button - 2HS+ES      | Yellow                     | 1        |
| 2    | <u>VT0006547</u> | Emergency push button     |                            | 1        |
| 3    | <u>VT0005612</u> | Pendant with cable 2HS+ES | 2,2 m - Yellow- CE         | 1        |
| 3    | <u>VT0005613</u> | Pendant with cable 2HS+ES | 2,7 m - Yellow- CE         | 1        |
| 3    | <u>VT0005614</u> | Pendant with cable 2HS+ES | 3,2 m - Yellow- CE         | 1        |
| 3    | <u>VT0005615</u> | Pendant with cable 2HS+ES | 3,7 m - Yellow- CE         | 1        |
| 3    | <u>VT0005616</u> | Pendant with cable 2HS+ES | 4,2 m - Yellow- CE         | 1        |
| 3    | <u>VT0005617</u> | Pendant with cable 2HS+ES | 4,7 m - Yellow- CE         | 1        |
| 3    | <u>VT0005618</u> | Pendant with cable 2HS+ES | 5,2 m - Yellow- CE         | 1        |
| 3    | <u>VT0005619</u> | Pendant with cable 2HS+ES | 5,7 m - Yellow- CE         | 1        |
| 4    | <u>VT0007837</u> | Branding sticker          | VERLINDE                   | 1        |
| 5    | <u>VT0005064</u> | Contact block             | ZB2-BE101                  | 1        |
| 6    | <u>VT0005066</u> | Contact block             | ZB2-BE 102                 | 1        |
| 7    | <u>VT0006746</u> | Cable                     | 5x1,5 mm <sup>2</sup> - CE | 1        |
| 8    | <u>VT0005108</u> | Pendant connector         | 14P                        | 1        |
| 9    | <u>VT0007583</u> | Pendant plug set          | ISO                        | 1        |

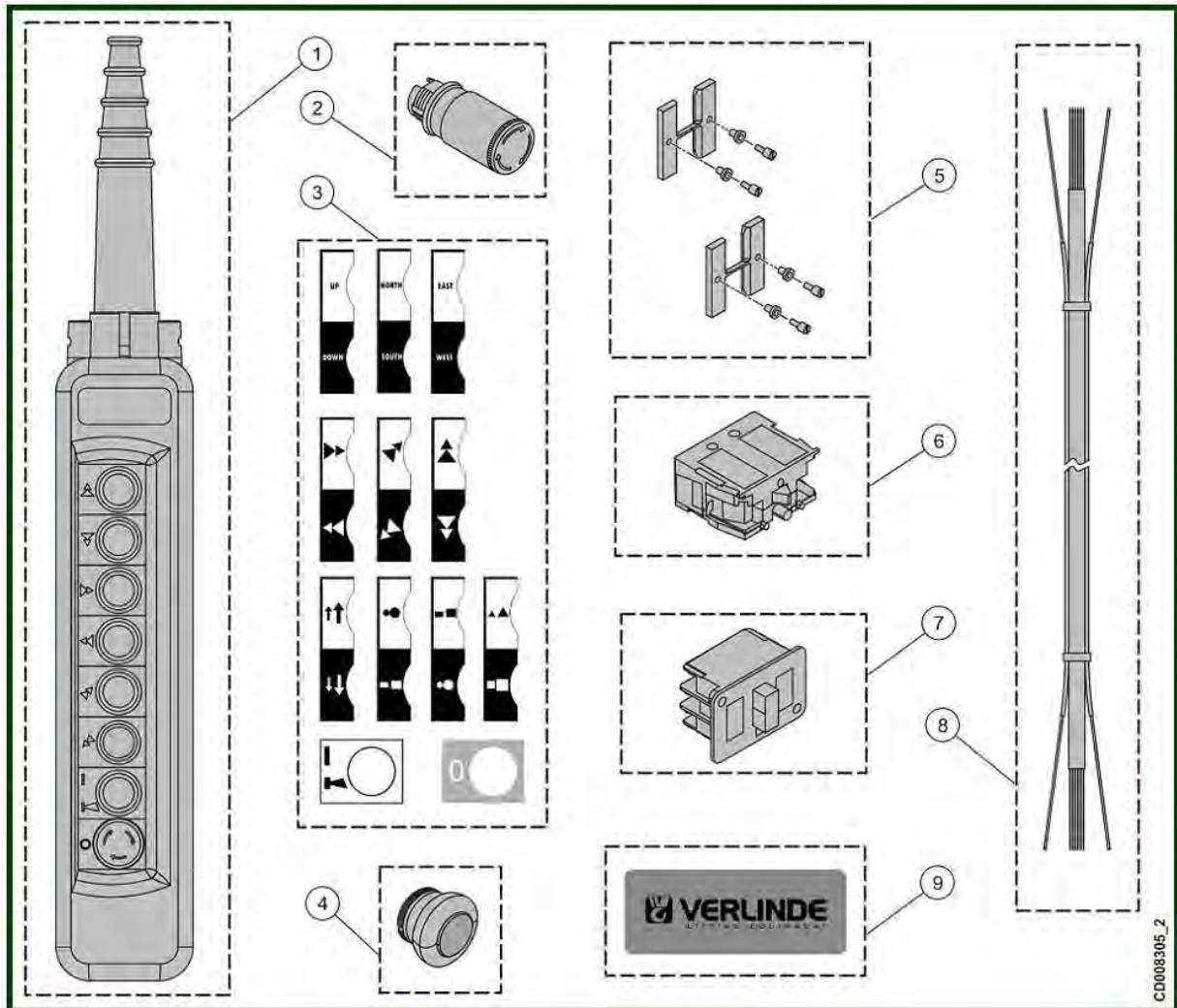
## 6.2. 4 buttons



#### 4 buttons

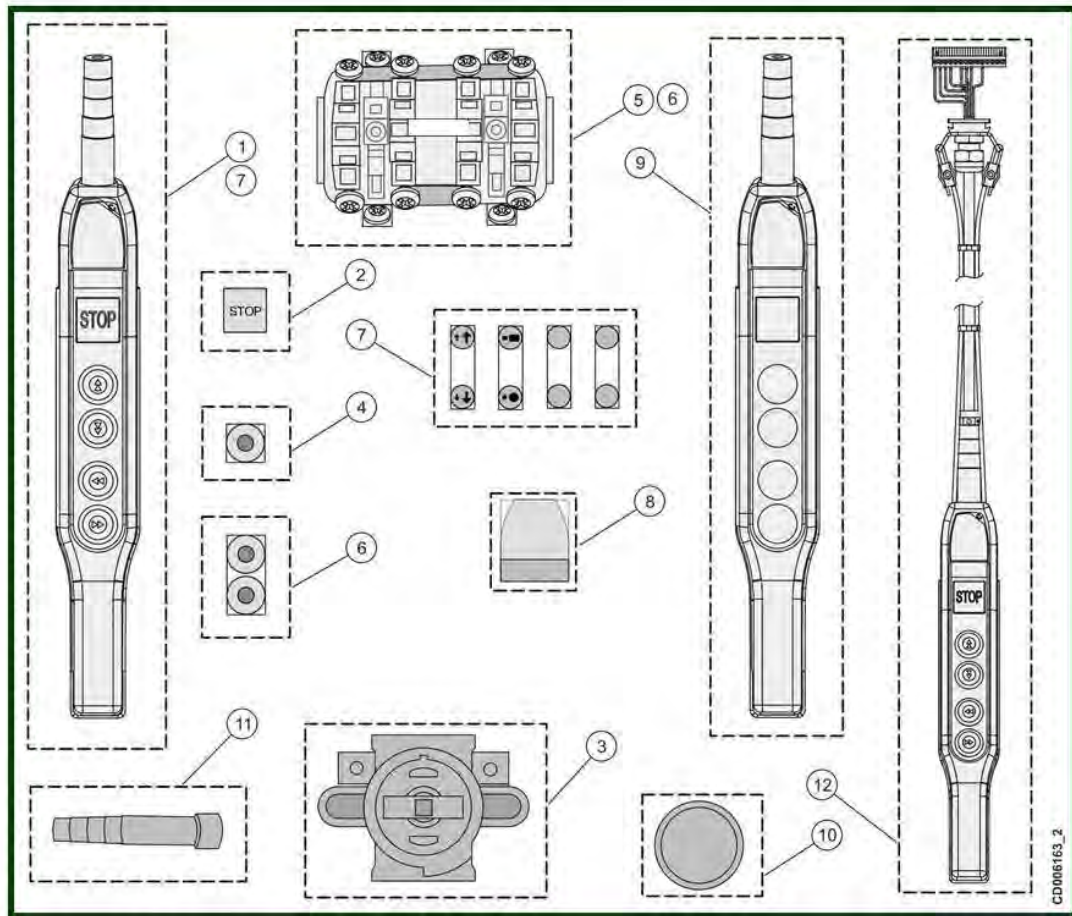
| Item | Reference        | Description                      | Observation    | Quantity |
|------|------------------|----------------------------------|----------------|----------|
| 1    | <u>VT0005055</u> | Pendant controller<br>2HS+2TS+ES | Yellow         | 1        |
| 2    | <u>VT0006548</u> | Emergency push button            |                | 1        |
| 3    | <u>VT0007882</u> | Set of direction symbols         |                | 1        |
| 4    | <u>VT0005063</u> | Push button                      |                | 1        |
| 5    | <u>VT0005072</u> | Mechanical interlock             |                | 2        |
| 6    | <u>VT0005066</u> | Block contact                    | ZB2-BE 102     | 1        |
| 7    | <u>VT0006059</u> | Pendant with cable<br>2HS+2TS+ES | 4,2 m - Yellow | 1        |
| 7    | <u>VT0006060</u> | Pendant with cable<br>2HS+2TS+ES | 4,7 m - Yellow | 1        |
| 7    | <u>VT0006061</u> | Pendant with cable<br>2HS+2TS+ES | 5,2 m - Yellow | 1        |
| 7    | <u>VT0006062</u> | Pendant with cable<br>2HS+2TS+ES | 5,7 m - Yellow | 1        |
| 7    | <u>VT0006055</u> | Pendant with cable<br>2HS+2TS+ES | 2,2 m - Yellow | 1        |
| 7    | <u>VT0006056</u> | Pendant with cable<br>2HS+2TS+ES | 2,7 m - Yellow | 1        |
| 7    | <u>VT0006057</u> | Pendant with cable<br>2HS+2TS+ES | 3,2 m - Yellow | 1        |
| 7    | <u>VT0006058</u> | Pendant with cable<br>2HS+2TS+ES | 3,7 m - Yellow | 1        |
| 8    | <u>VT0007879</u> | Block contact                    | XENG1191       | 1        |
| 9    | <u>VT0007880</u> | Branding sticker                 | VERLINDE       | 1        |
| 10   | <u>VT0006747</u> | Cable - 8x1,5mm <sup>2</sup>     | meter          | 1        |
| 11   | <u>VT0005108</u> | Pendant connector                | 14P            | 1        |
| 12   | <u>VT0007583</u> | Pendant plug set                 | ISO            | 1        |

### 6.3. 6 buttons



| Item | Reference | Description                            | Observation                    | Quantity |
|------|-----------|--|--------------------------------|----------|
| 1    | VT0005058 | Pendant controller<br>2VL+2VD+2VT+M+AU | Yellow                         | 1        |
| 2    | VT0006548 | Emergency push button                  |                                | 1        |
| 3    | VT0007882 | Set of direction symbols               |                                | 1        |
| 4    | VT0005063 | Push button                            |                                | 1        |
| 5    | VT0005072 | Mechanical interlock                   |                                | 2        |
| 6    | VT0005066 | Block contact                          | ZB2-BE 102                     | 1        |
| 7    | VT0007879 | Block contact                          | XENG1191                       | 1        |
| 8    | VT0008073 | Cable                                  | 16x1.52mm <sup>2</sup> - meter | 1        |
| 8    | VT0008074 | Cable                                  | 20x1.5mm <sup>2</sup> - meter  | 1        |
| 9    | VT0007880 | Branding sticker                       | VERLINDE                       | 1        |
| -    | VT0005108 | Pendant connector                      | 14P                            | 1        |

6.4. Push button- From september 2014



### Push button- From september 2014

| Item | Reference        | Description                               | Observation           | Quantity |
|------|------------------|---|-----------------------|----------|
| 1    | <u>VT0006495</u> | Push buttons box - 2HS+2TS+ES             | Yellow - 4 buttons    | 1        |
| 1    | <u>VT0006493</u> | Push buttons box - 2HS+ES                 | Yellow - 2 buttons    | 1        |
| 2    | <u>VT0006509</u> | Emergency push button                     |                       | 1        |
| 3    | <u>VT0006510</u> | Emergency stop contact block              |                       | 1        |
| 4    | <u>VT0006511</u> | Rubber push button                        |                       | 1        |
| 5    | <u>VT0006513</u> | Contact block                             | 2 speeds              | 1        |
| 6    | <u>VT0006514</u> | Set of 2 push buttons + contact block     |                       | 1        |
| 7    | <u>VT0006752</u> | Stickers - Direction symbols              | DIN                   | 1        |
| 7    | <u>VT0006753</u> | Stickers - Direction symbols              | FIN-SEN               | 1        |
| 7    | <u>VT0006754</u> | Stickers - Direction symbols              | ANSI                  | 1        |
| 8    | <u>VT0006496</u> | Stickers - Brand                          | VERLINDE              | 1        |
| 9    | <u>VT0006515</u> | Pendant housing                           | Yellow - 2 buttons    | 1        |
| 9    | <u>VT0006518</u> | Pendant housing                           | Yellow - 4 buttons    | 1        |
| 10   | <u>VT0006517</u> | Magnet                                    |                       | 1        |
| 10   | <u>VT0006516</u> | Rubber part                               |                       | 1        |
| 11   | <u>VT0007032</u> | Cable bushing                             |                       | 1        |
| 12   | <u>VT0006958</u> | Push buttons box + cable + plug<br>2HS+ES | 2,20 m - Yellow - DIN | 1        |
| 12   | <u>VT0006951</u> | Push buttons box + cable + plug<br>2HS+ES | 2,70 m - Yellow - DIN | 1        |
| 12   | <u>VT0006952</u> | Push buttons box + cable + plug<br>2HS+ES | 3,20 m - Yellow - DIN | 1        |
| 12   | <u>VT0006953</u> | Push buttons box + cable + plug<br>2HS+ES | 3,70 m - Yellow - DIN | 1        |
| 12   | <u>VT0006954</u> | Push buttons box + cable + plug<br>2HS+ES | 4,20 m - Yellow - DIN | 1        |
| 12   | <u>VT0006955</u> | Push buttons box + cable + plug<br>2HS+ES | 4,70 m - Yellow - DIN | 1        |
| 12   | <u>VT0006956</u> | Push buttons box + cable + plug<br>2HS+ES | 5,20 m - Yellow - DIN | 1        |
| 12   | <u>VT0006957</u> | Push buttons box + cable + plug<br>2HS+ES | 5,70 m - Yellow - DIN | 1        |

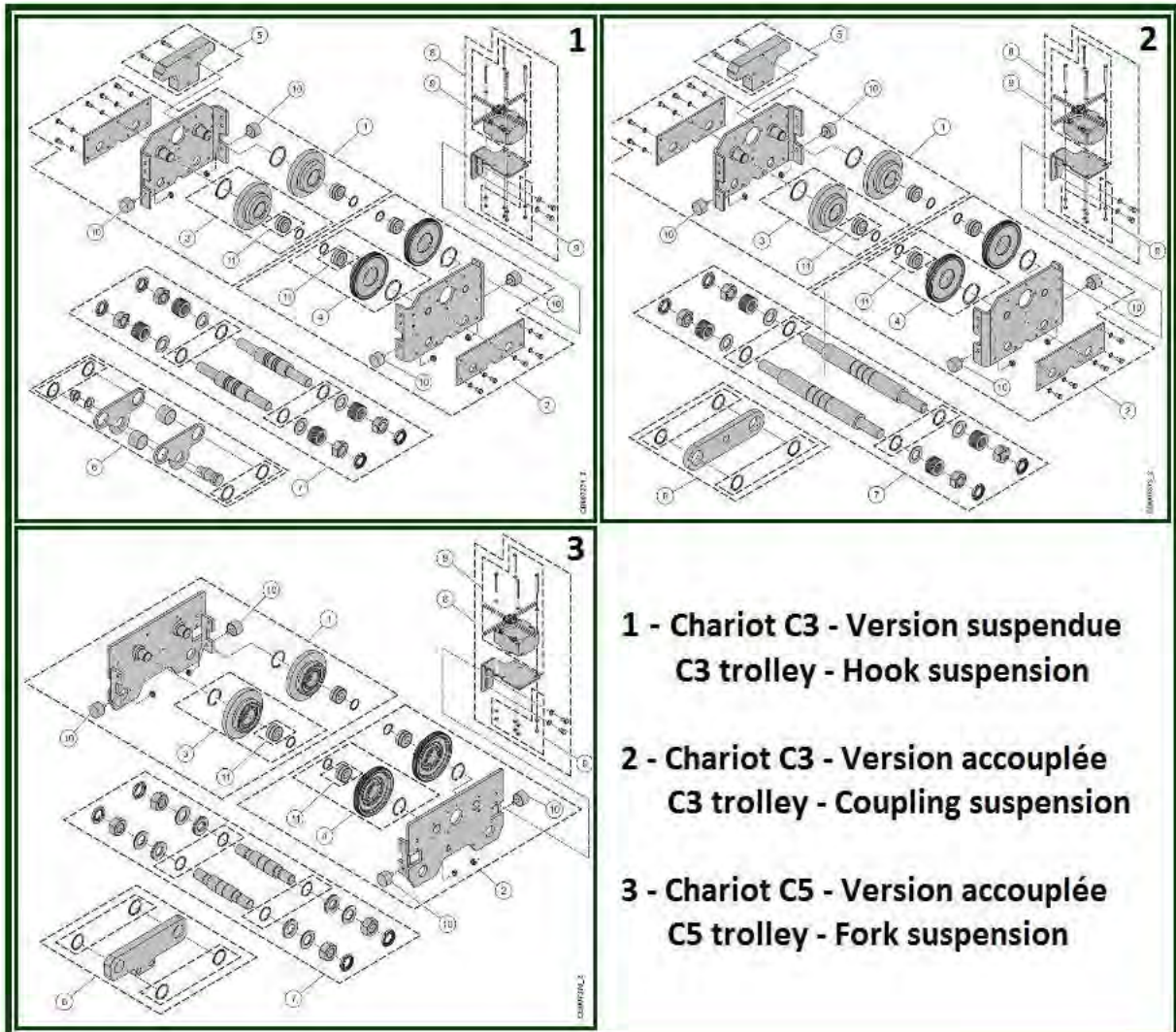
Push button- From september 2014

| Element | Reference        | Description                                   | Observation           | Quantity |
|---------|------------------|---|-----------------------|----------|
| 13      | <u>VT0006959</u> | Push buttons box + cable + plug<br>2HS+2TS+ES | 2,20 m - Yellow - DIN | 1        |
| 13      | <u>VT0006966</u> | Push buttons box + cable + plug<br>2HS+2TS+ES | 2,70 m - Yellow - DIN | 1        |
| 13      | <u>VT0006960</u> | Push buttons box + cable + plug<br>2HS+2TS+ES | 3,20 m - Yellow - DIN | 1        |
| 13      | <u>VT0006961</u> | Push buttons box + cable + plug<br>2HS+2TS+ES | 3,70 m - Yellow - DIN | 1        |
| 13      | <u>VT0006962</u> | Push buttons box + cable + plug<br>2HS+2TS+ES | 4,20 m - Yellow - DIN | 1        |
| 13      | <u>VT0006963</u> | Push buttons box + cable + plug<br>2HS+2TS+ES | 4,70 m - Yellow - DIN | 1        |
| 13      | <u>VT0006964</u> | Push buttons box + cable + plug<br>2HS+2TS+ES | 5,20 m - Yellow - DIN | 1        |
| 13      | <u>VT0006965</u> | Push buttons box + cable + plug<br>2HS+2TS+ES | 5,70 m - Yellow - DIN | 1        |



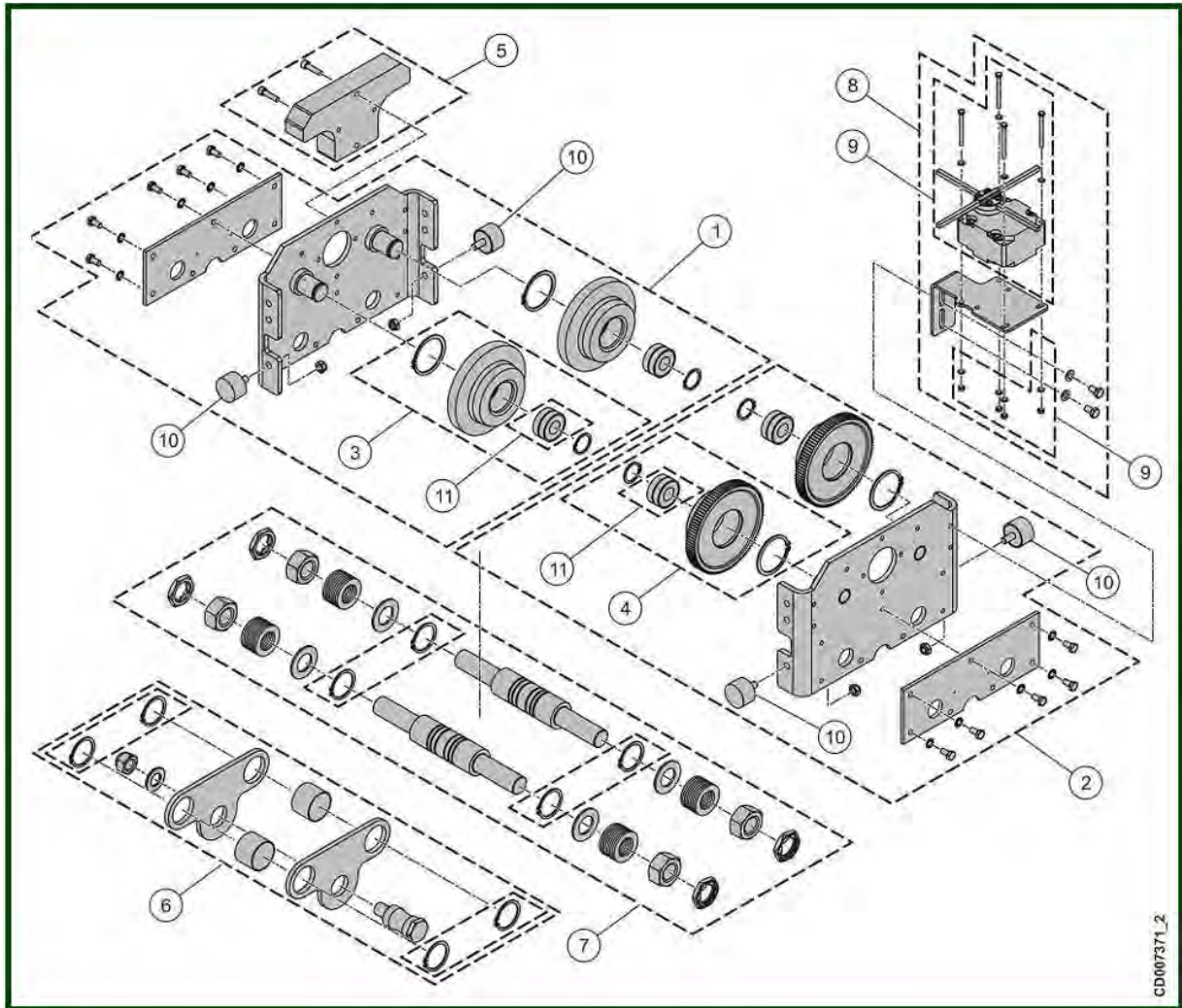
## 7. NORMAL HEADROOM TROLLEY

NHT



7.1. C3 trolley- 2001 to 3200 kg - Hanging version

NHT



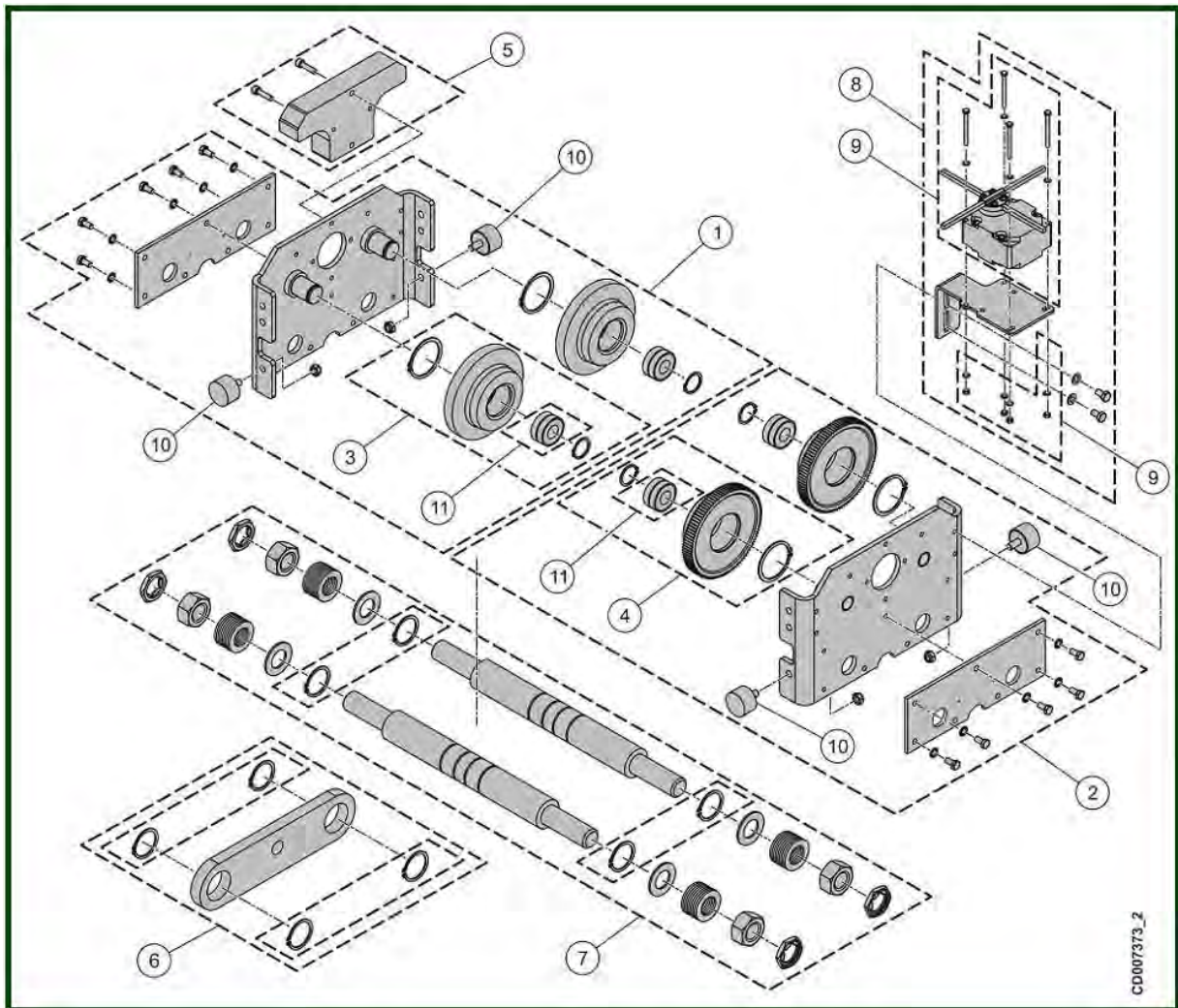
### C3 trolley- 2001 to 3200 kg - Hanging version

NHT

| Item | Reference        | Description                                | Observation                  | Quantity |
|------|------------------|--|------------------------------|----------|
| 1    | <u>VT0007092</u> | Idler side plate assembly                  |                              | 1        |
| 2    | <u>VT0007093</u> | Drive side plate assembly                  |                              | 1        |
| 3    | <u>VT0008782</u> | Travel wheel idler without shaft           |                              | 1        |
| 4    | <u>VT0008783</u> | Driving wheel without shaft                |                              | 1        |
| 5    | <u>VT0008837</u> | Set of counterweight                       |                              | 1        |
| 6    | <u>VT0007094</u> | Joint part                                 | Hanging version              | 1        |
| 7    | <u>VT0007040</u> | Tie rod set beam- 82 to 137 mm             | Monobloc tie road since 1999 | 1        |
| 7    | <u>VT0007041</u> | Tie rod set beam- 140 to 190 mm            | Monobloc tie road since 1999 | 1        |
| 7    | <u>VT0007042</u> | Tie rod set beam- 198 to 248 mm            | Monobloc tie road since 1999 | 1        |
| 7    | <u>VT0007043</u> | Tie rod set beam- 260 to 310 mm            | Monobloc tie road since 1999 | 1        |
| 7    | <u>VT0008785</u> | Tie rod set beam- 311 to 350 mm            | Monobloc tie road since 1999 | 1        |
| 8    | <u>VT0007098</u> | Limit switch - 1 step                      |                              | 1        |
| 8    | <u>VT0008775</u> | Limit switch - 2 steps                     |                              | 1        |
| 9    | <u>VT0008776</u> | Travelling limit switch assembly - 1 step  |                              | 1        |
| 9    | <u>VT0008777</u> | Travelling limit switch assembly - 2 steps |                              | 1        |
| 10   | <u>VT0007088</u> | Rubber buffer                              | 40X20 M10                    | 1        |
| 11   | <u>VT0008786</u> | Ball bearing                               |                              | 1        |

7.2. C3 trolley- 2001 à 3200 kg - Coupled version

HPN



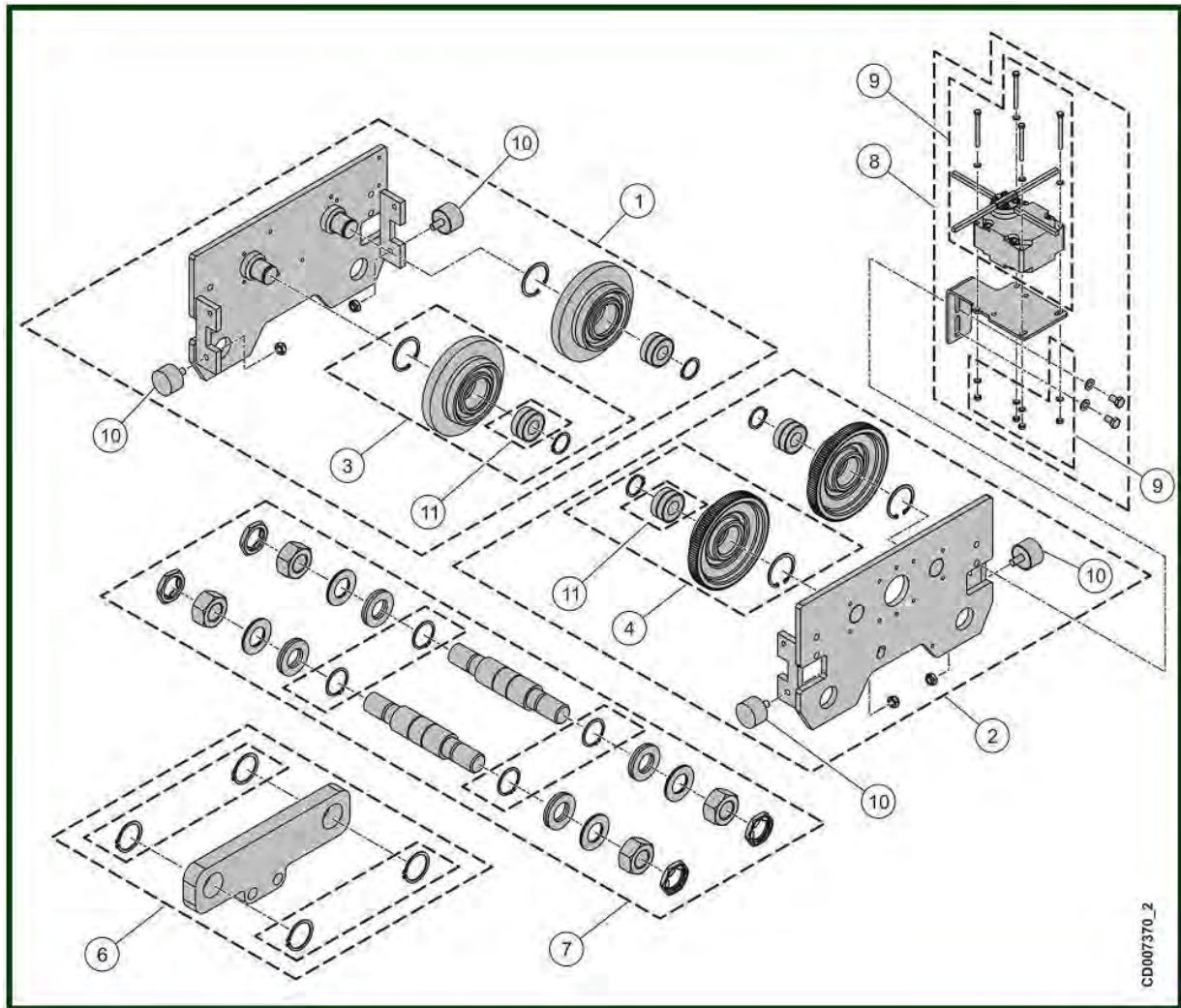
C3 trolley- 2001 à 3200 kg - Coupled version

HPN

| Item | Reference        | Description                                 | Observation                  | Quantity |
|------|------------------|---|------------------------------|----------|
| 1    | <u>VT0007092</u> | Idler side plate assembly                   |                              | 1        |
| 2    | <u>VT0007093</u> | Drive side plate assembly                   |                              | 1        |
| 3    | <u>VT0008782</u> | Travel wheel idler without shaft            |                              | 1        |
| 4    | <u>VT0008783</u> | Driving wheel without shaft                 |                              | 1        |
| 5    | <u>VT0008837</u> | Set of counterweight                        |                              | 1        |
| 6    | <u>VT0007095</u> | Joint part                                  | Coupled version              | 1        |
| 7    | <u>VT0007040</u> | Tie rod set beam- 82 à 137 mm               | Monobloc tie road since 1999 | 1        |
| 7    | <u>VT0007041</u> | Tie rod set beam- 140 à 190 mm              | Monobloc tie road since 1999 | 1        |
| 7    | <u>VT0007042</u> | Tie rod set beam- 198 à 248 mm              | Monobloc tie road since 1999 | 1        |
| 7    | <u>VT0007043</u> | Tie rod set beam- 260 à 310 mm              | Monobloc tie road since 1999 | 1        |
| 7    | <u>VT0008785</u> | Tie rod set beam- 311 à 350 mm              | Monobloc tie road since 1999 | 1        |
| 8    | <u>VT0007098</u> | Limit switch - 1 step                       |                              | 1        |
| 8    | <u>VT0008775</u> | Limit switch - 2 steps                      |                              | 1        |
| 9    | <u>VT0008776</u> | Travelling limit switch assembly<br>1 step  |                              | 1        |
| 9    | <u>VT0008777</u> | Travelling limit switch assembly<br>2 steps |                              | 1        |
| 10   | <u>VT0007088</u> | Rubber buffer                               | 40X20 M10                    | 1        |
| 11   | <u>VT0008786</u> | Ball bearing                                |                              | 1        |

### 7.3. C5 trolley- 3200 to 5000 kg - Coupled version

NHT

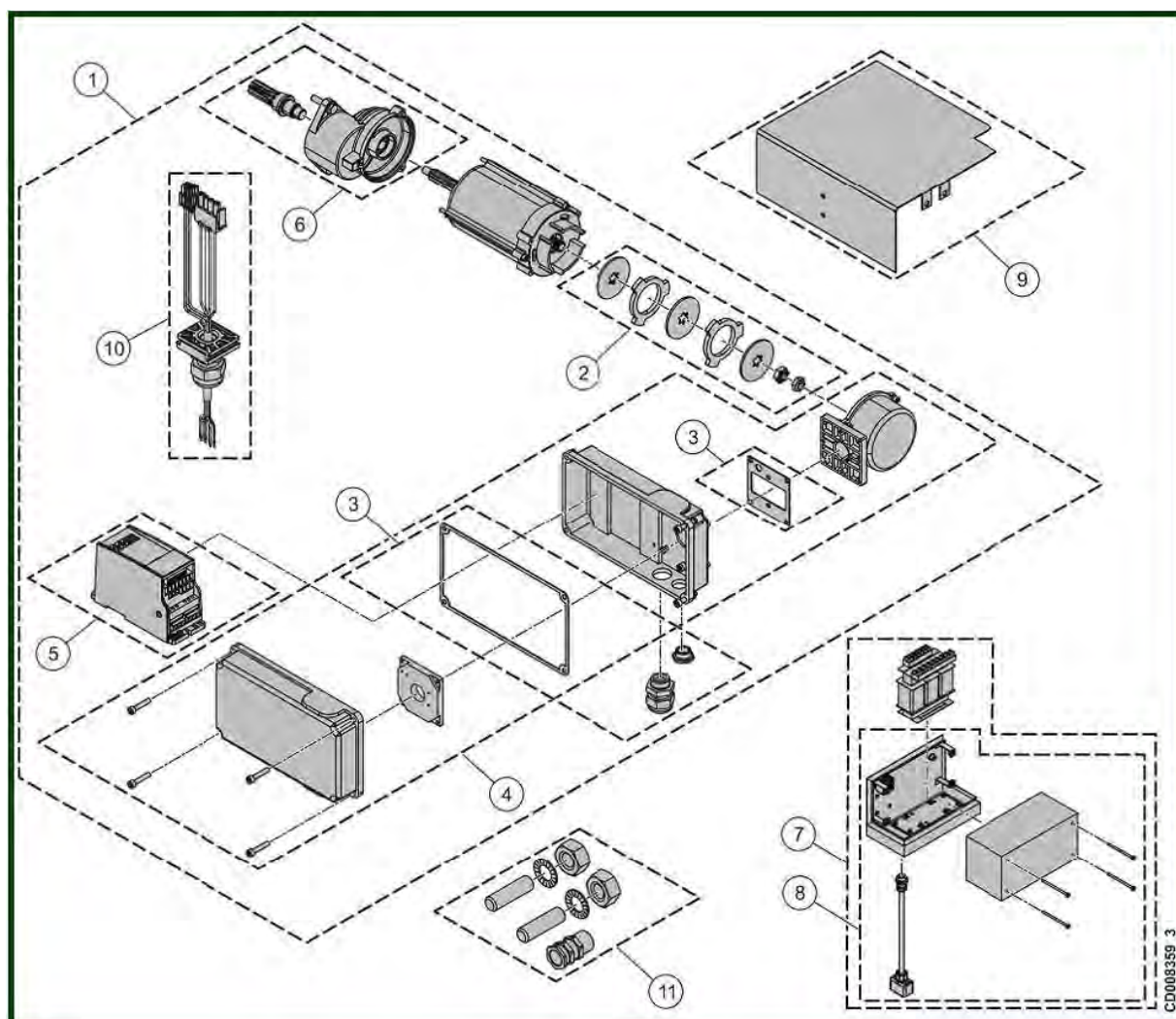


C5 trolley- 3200 to 5000 kg - Coupled version

NHT

| Item | Reference        | Description                                 | Observation     | Quantity |
|------|------------------|---|-----------------|----------|
| 1    | <u>VT0008790</u> | Idler side plate assembly                   |                 | 1        |
| 2    | <u>VT0008791</u> | Drive side plate assembly                   |                 | 1        |
| 3    | <u>VT0008787</u> | Travel wheel idler without shaft            |                 | 1        |
| 4    | <u>VT0008788</u> | Driving wheel without shaft                 |                 | 1        |
| 6    | <u>VT0008176</u> | Joint part                                  | Coupled version | 1        |
| 7    | <u>VT0007044</u> | Tie rod set beam - 82 to 110 mm             |                 | 1        |
| 7    | <u>VT0007045</u> | Tie rod set beam - 113 to 150 mm            |                 | 1        |
| 7    | <u>VT0007046</u> | Tie rod set beam - 155 to 200 mm            |                 | 1        |
| 7    | <u>VT0007047</u> | Tie rod set beam - 206 to 248 mm            |                 | 1        |
| 7    | <u>VT0007048</u> | Tie rod set beam - 260 to 310 mm            |                 | 1        |
| 8    | <u>VT0007098</u> | Limit switch - 1 step                       |                 | 1        |
| 8    | <u>VT0008775</u> | Limit switch - 2 steps                      |                 | 1        |
| 9    | <u>VT0008776</u> | Travelling limit switch assembly<br>1 step  |                 | 1        |
| 9    | <u>VT0008777</u> | Travelling limit switch assembly<br>2 steps |                 | 1        |
| 10   | <u>VT0007088</u> | Rubber buffer                               | 40X20 M10       | 1        |
| 11   | <u>VT0008789</u> | Ball bearing                                |                 | 2        |

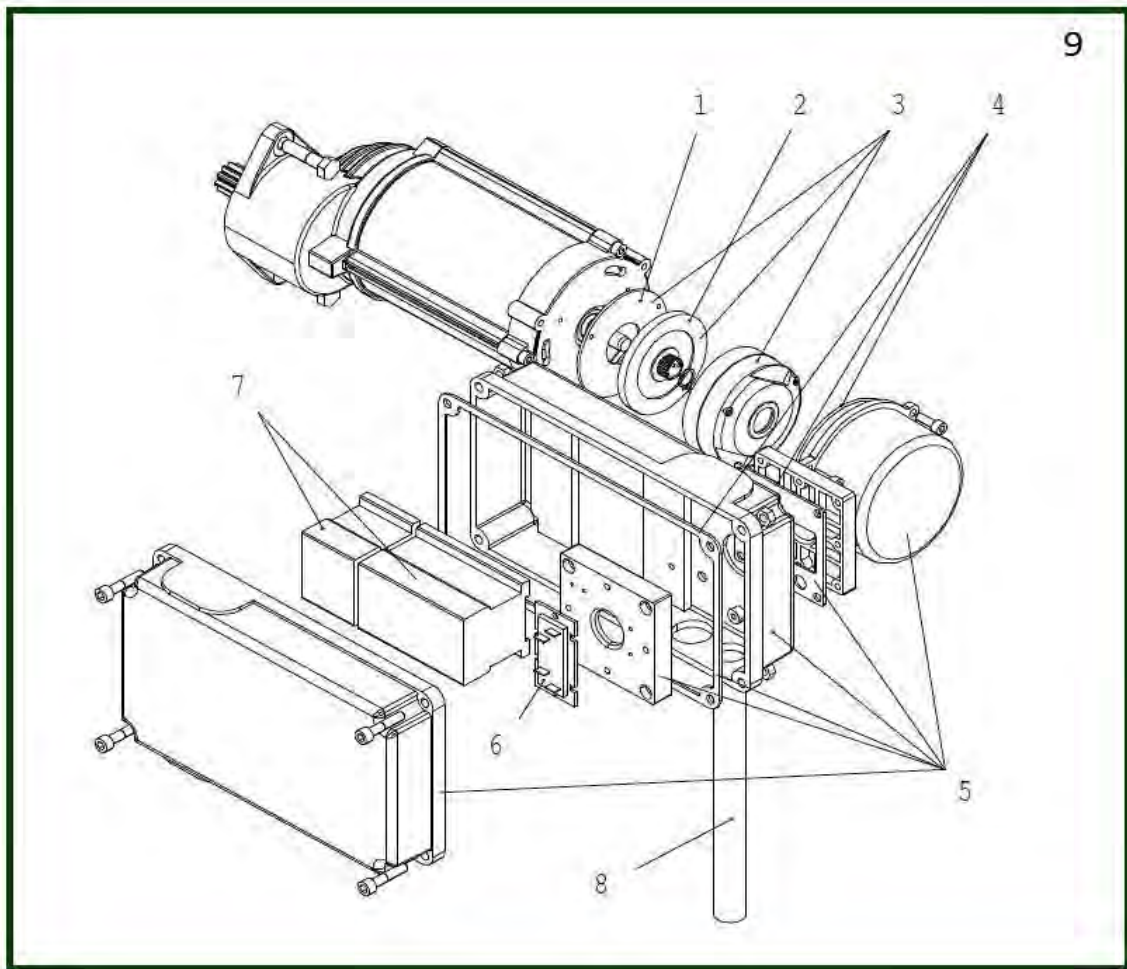
## 7.4. Inverter TMU motor



| Item | Reference                | Description                                     | Observation  | Quantity |
|------|--------------------------|---|--|----------|
| 1    | <a href="#">52890308</a> | Travelling machinery - TMU1                     | 42-230V < 1000 Kg  | 1        |
| 1    | <a href="#">52890306</a> | Travelling machinery - TMU2                     | 42-230V > 1000 Kg to 2000                                      | 1        |
| 2    | <a href="#">52296293</a> | Brake repair Set                                | M06-001V   | 1        |
| 3    | <a href="#">52300292</a> | Sealing set                                     | M06-008V   | 1        |
| 4    | <a href="#">52907130</a> | Housing set                                     | M06-022V   | 1        |
| 5    | <a href="#">52387783</a> | Inverter VT003<br>TMK003.380 460V/ ctrl 42 230V | Since january 2015 for motor already equipped of this inverter | 1        |
| 6    | <a href="#">52297191</a> | Reducer   | GEL105PT1B0  | 1        |
| 7    | <a href="#">52303806</a> | Control panel                                   | T50E-TE07  | 1        |
| 8    | <a href="#">53050878</a> | Housing set                                     | UKTM/ALTM-NEW  | 1        |
| 9    | <a href="#">52305058</a> | Rain cover                                      | All models C1 to C5  | 1        |
| 10   | <a href="#">53110165</a> | Connection cable                                | TMU 1&2  | 1        |
| 11   | <a href="#">52908158</a> | Kit fixation                                    |  | 1        |



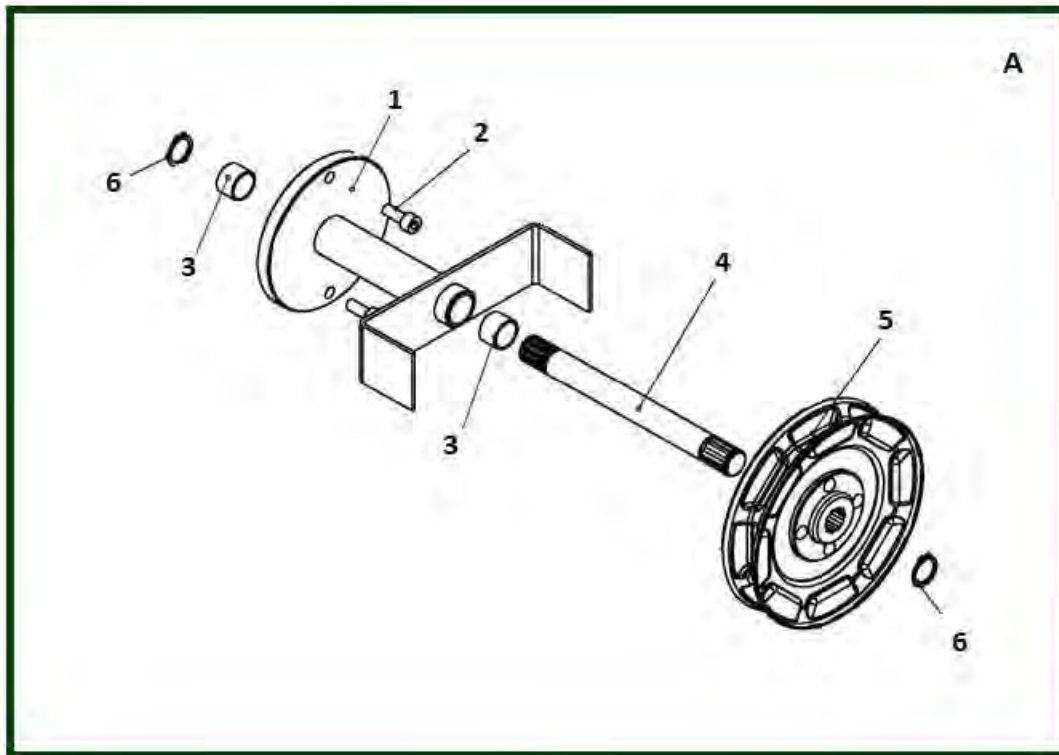
### 7.5. TMU motor 2 speeds



## TMU motor 2 speeds

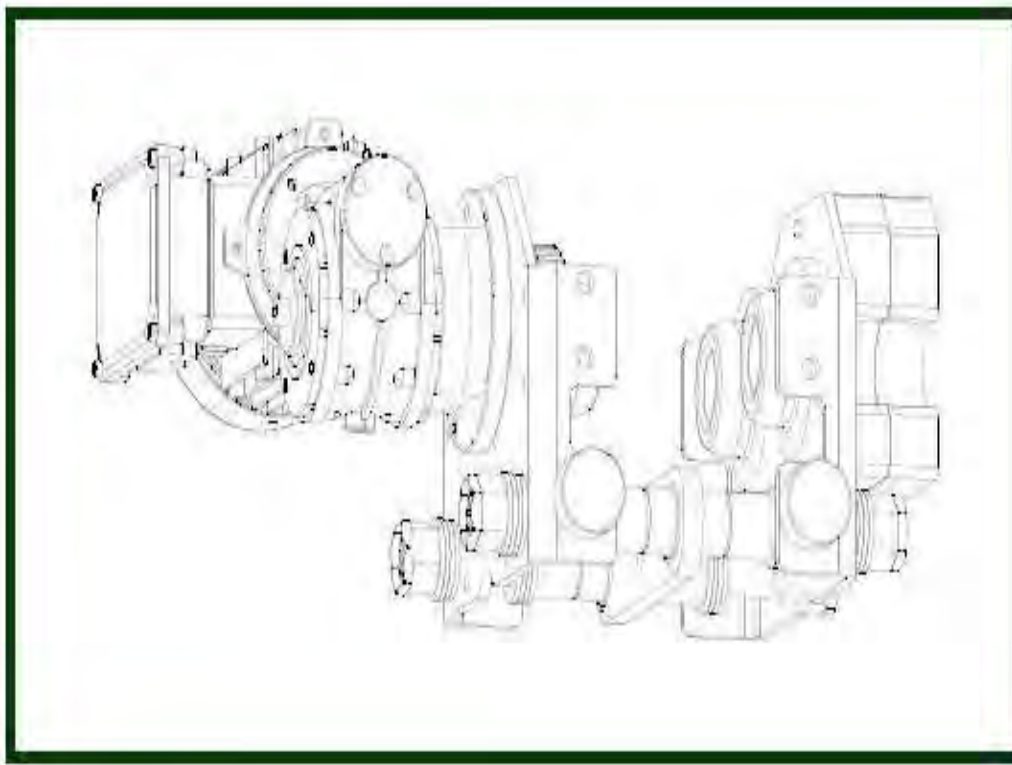
| Item | Reference       | Description                                | Observation                                      | Quantity |
|------|-----------------|--|--|----------|
| 1    | <u>52269590</u> | Friction plate                             |  | 1        |
| 2    | <u>52269587</u> | Brake disc                                 |  | 1        |
| 3    | <u>52318378</u> | Brake disc 180V                            | MF06MA104  | 1        |
| 3    | <u>52318416</u> | Brake disc 240V                            | MF06MA104  | 1        |
| 3    | <u>52318424</u> | Brake disc 290V                            | MF06MA104  | 1        |
| 4    | <u>52300292</u> | Sealing set                                | M06-008V   | 1        |
| 5    | <u>52300291</u> | Terminal box                               | M06-007V   | 1        |
| 6    | <u>15823007</u> | Rectifier                                  | Motor 220V                                       | 1        |
| 6    | <u>15823006</u> | Rectifier                                  | Motor 380 to 550V                                | 1        |
| 7    | <u>1123052</u>  | Reversing contactor                        | 110V   | 1        |
| 7    | <u>1113097</u>  | Reversing contactor                        | 230V   | 1        |
| 7    | <u>1113023</u>  | Reversing contactor<br>400V/48V - LC2ECO9E | LC2ECO9E (7531023V)<br>Hoisting cross travelling | 1        |
| 7    | <u>1113098</u>  | Main contactor KAU                         | 230 V 50/60 Hz                                   | 1        |
| 7    | <u>1113021</u>  | Selector contactor                         | 48V  | 1        |
| 7    | <u>1123050</u>  | Selector contactor                         | 110V   | 1        |
| 8    | <u>53110165</u> | Connection cable                           | TMU 1&2  | 1        |
| 9    | <u>52782175</u> | TMU motor 2 speeds                         | 230V/48V 50 Hz                                   | 1        |
| 9    | <u>52782173</u> | TMU motor 2 speeds                         | 230V/115V 60 Hz - Standard                       | 1        |
| 9    | <u>52782176</u> | TMU motor 2 speeds                         | 400V/48V 50 Hz                                   | 1        |
| 9    | <u>52782171</u> | TMU motor 2 speeds                         | 460V/115V 60 Hz - Standard                       | 1        |
| 9    | <u>52782177</u> | TMU motor 2 speeds                         | 500V/48V 50 Hz                                   | 1        |
| 9    | <u>52782172</u> | TMU motor 2 speeds                         | 575V/115V 60 Hz - Standard                       | 1        |
| -    | <u>52305058</u> | Rain cover                                 | All models C1 to C5                              | 1        |

## 7.6. Chain travel



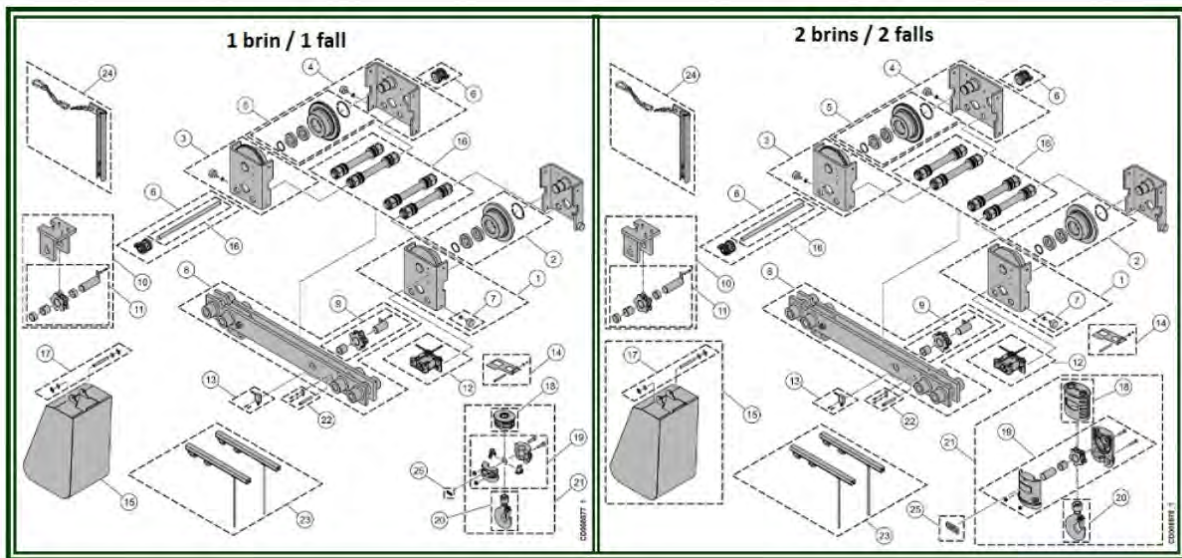
| Item | Reference                | Description                                  | Observation   | Quantity |
|------|--------------------------|--|---------------|----------|
| 1    | <a href="#">52306328</a> | Support                                      |               | 1        |
| 2    | <a href="#">830905</a>   | CHC Screw 8X20                               |               | 1        |
| 3    | <a href="#">993275</a>   | Bearing                                      |               | 1        |
| 4    | <a href="#">52306329</a> | CHM shaft                                    |               | 1        |
| 5    | <a href="#">400953</a>   | Travelling hand wheel - $\varnothing$ 165 mm | 3,2T          | 1        |
| 6    | <a href="#">400052</a>   | Circlips                                     |               | 1        |
|      | <a href="#">53020194</a> | Hand chain- 5x27,1                           | 9,8 meters    | 1        |
|      | <a href="#">820003</a>   | Galvanized hand chain - 5x27,1               |               | 1        |
| A    | <a href="#">52306332</a> | Chain operated manual travelling             | From C1 to C5 | 1        |

## 7.7. Right angle motor

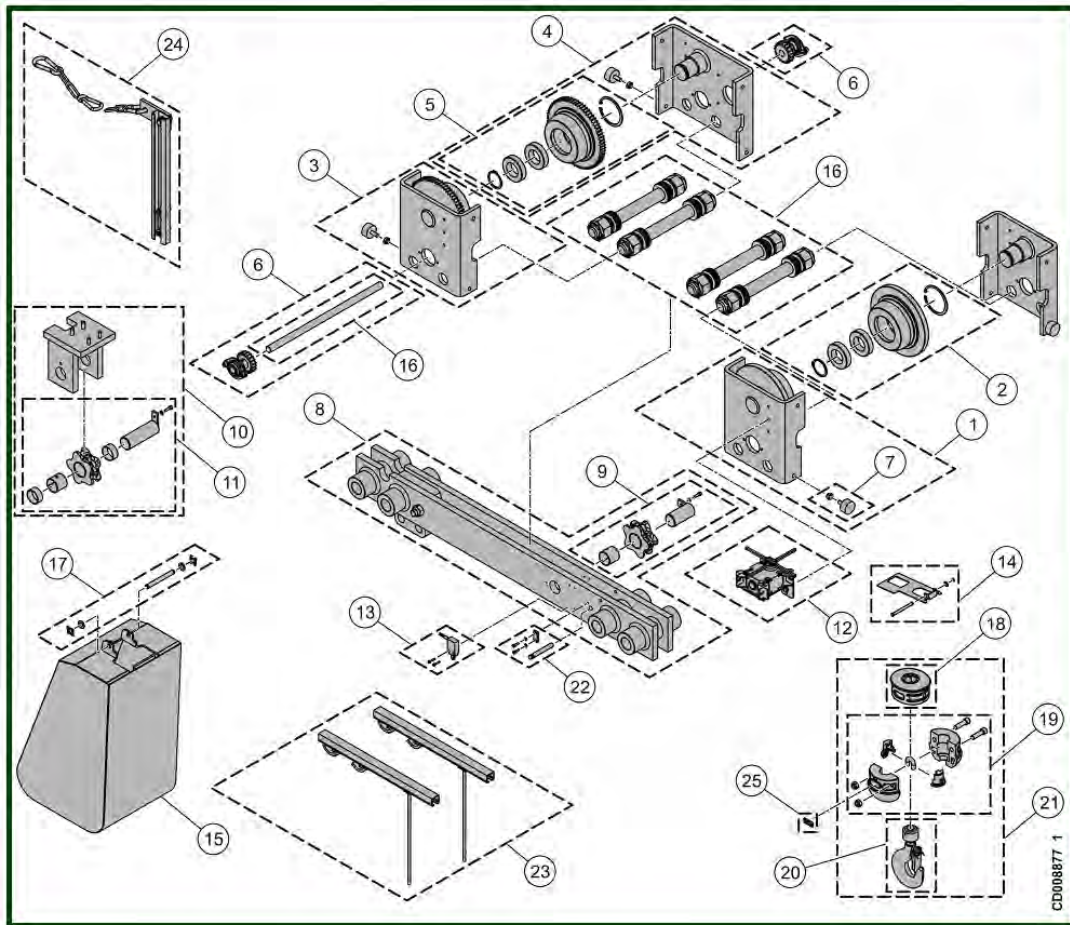


| Item | Reference               | Description                              | Observation                         | Quantity |
|------|-------------------------|--|-------------------------------------|----------|
|      | <a href="#">551037</a>  | Cubicle + Mac 2 pcb                      |                                     | 1        |
|      | <a href="#">2216904</a> | GMR adaptation set for right angle motor | Pinion, flange, screws              | 1        |
|      | <a href="#">556972</a>  | Right angle travelling machinery         | Speed 10 & 2.5m/min<br>For C1-C2-C3 | 1        |
|      | <a href="#">2133033</a> | CI board                                 | 2VD - MAC                           | 1        |

## 8. LOW HEADROOM TROLLEY



8.1. LHT - 1 fall



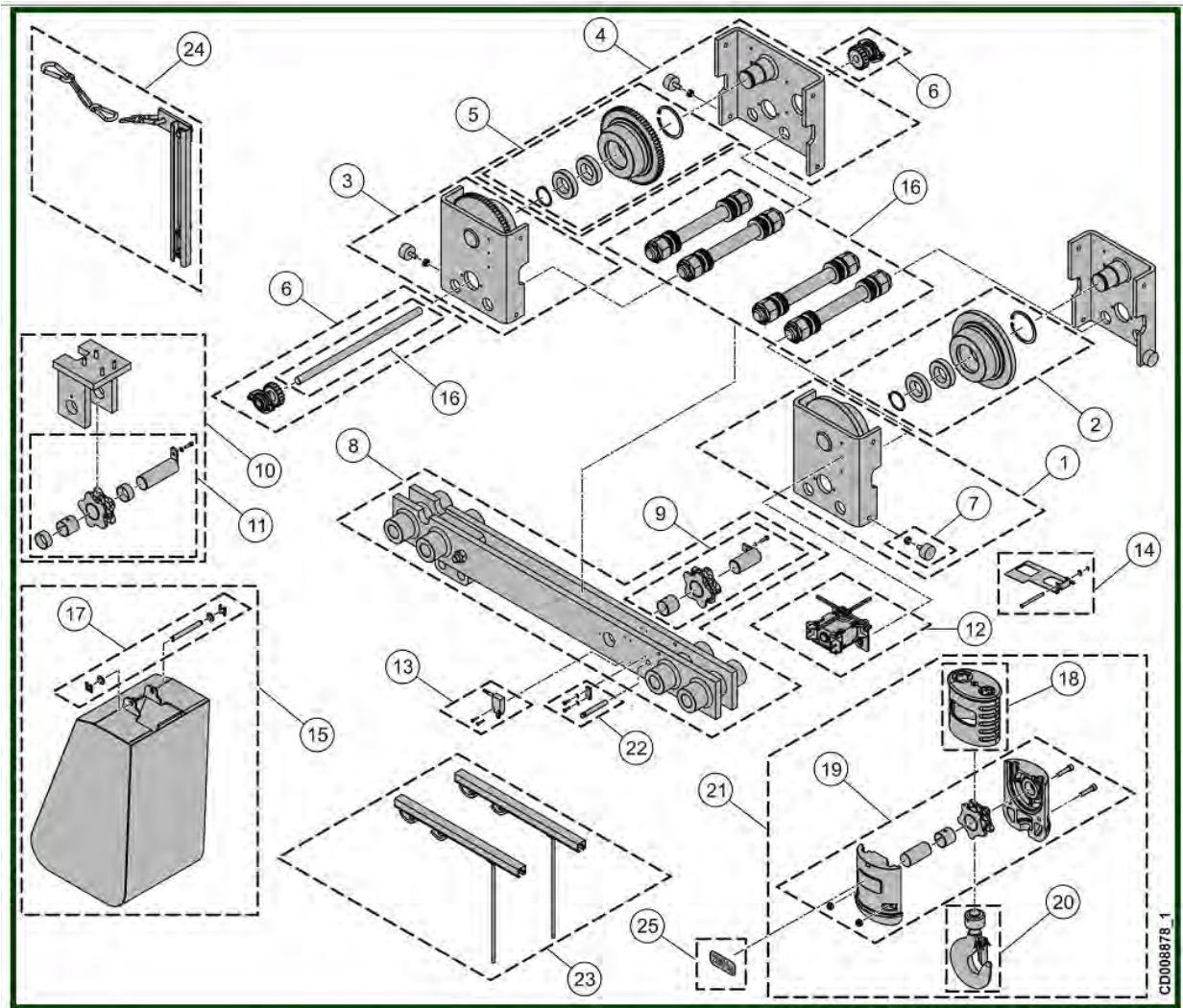
LHT – 1 fall

| Item | Reference        | Description                    | Observation                    | Quantity |
|------|------------------|--------------------------------|--------------------------------|----------|
| 1    | <u>VT0009490</u> | Side plate - Travel wheel beam | T75E-SF06                      | 2        |
| 2    | <u>VT0009491</u> | Wheel set; Idle                |                                | 2        |
| 3    | <u>VT0009492</u> | Side plate - Driving (BOGGIE)  | T75E-SD06                      | 1        |
| 4    | <u>VT0009493</u> | Side plate - Driving           | T75E-SD07                      | 1        |
| 5    | <u>VT0009494</u> | Wheel set - Driving            |                                | 2        |
| 6    | <u>VT0009495</u> | Shaft set                      | L460                           | 1        |
| 7    | <u>VT0009496</u> | Rubber                         | D40 L45 M10                    | 4        |
| 8    | <u>VT0009497</u> | Cross bar                      | Less than or equal to 190mm    | 1        |
| 8    | <u>VT0009498</u> | Cross bar                      | Greater than or equal to 300mm | 1        |
| 9    | <u>VT0009340</u> | Return sprocket                |                                | 1        |
| 10   | <u>VT0009214</u> | Chain sprocket                 |                                | 1        |
| 11   | <u>VT0009331</u> | Lifting sprocket               |                                | 1        |
| 12   | <u>VT0009499</u> | Limit switch assembly          | 1 step                         | 1        |
| 12   | <u>VT0009500</u> | Limit switch assembly          | 2 steps                        | 1        |
| 13   | <u>VT0009079</u> | Limit switch assembly          |                                | 1        |
| 14   | <u>VT0009078</u> | Limit switch activator set     |                                | 1        |
| 15   | <u>VT0006603</u> | Chain bucket                   | 12 & 16m                       | 1        |
| 15   | <u>VT0007223</u> | Chain bucket                   | 30m - L300 W382 H613           | 1        |
| 15   | <u>VT0009501</u> | Chain bucket                   | 50m - L300 W421,5 H811,5       | 1        |
| 16   | <u>VT0009482</u> | Tie rod                        | L 130/138                      | 1        |
| 16   | <u>VT0009483</u> | Tie rod                        | L 139/150                      | 1        |
| 16   | <u>VT0009484</u> | Tie rod                        | L 151/189                      | 1        |
| 16   | <u>VT0009485</u> | Tie rod                        | L 190/197                      | 1        |
| 16   | <u>VT0009486</u> | Tie rod                        | L 198/200                      | 1        |
| 16   | <u>VT0009487</u> | Tie rod                        | L 201/249                      | 1        |
| 16   | <u>VT0009488</u> | Tie rod                        | L 250/299                      | 1        |
| 16   | <u>VT0009489</u> | Tie rod                        | L 300/310                      | 1        |
| 17   | <u>VT0006604</u> | Fixing set of chain bucket     | 12m & 16m                      | 1        |
| 17   | <u>VT0009502</u> | Fixing set of chain bucket     | 30m & 50m                      | 1        |
| 18   | <u>VT0009503</u> | Buffer                         |                                | 1        |
| 19   | <u>VT0006593</u> | Half casing set                |                                | 1        |
| 20   | <u>VT0006600</u> | Hook assembly                  | Standard - RSN08               | 1        |
| 21   | <u>VT0009505</u> | Complete hook block            |                                | 1        |
| 23   | <u>VT0009508</u> | Limit switch activator set     |                                | 1        |

|    |                  |                              |         |   |
|----|------------------|------------------------------|---------|---|
| 24 | <u>VT0008761</u> | Towing arm                   | L 250   | 1 |
| 24 | <u>VT0008762</u> | Towing arm                   | L 450   | 1 |
| 25 | <u>VT0006599</u> | Set of 10 load plates - Hook | 2500 Kg | 1 |



## 8.2. LHT - 2 falls



## LHT – 2 brins

| Élément | Référence        | Description                    | Observation                    | Quantité |
|---------|------------------|--------------------------------|--------------------------------|----------|
| 1       | <u>VT0009490</u> | Side plate - Travel wheel beam | T75E-SF06                      | 2        |
| 2       | <u>VT0009491</u> | Wheel set; Idle                |                                | 2        |
| 3       | <u>VT0009492</u> | Side plate - Driving (BOGGIE)  | T75E-SD06                      | 1        |
| 4       | <u>VT0009493</u> | Side plate - Driving           | T75E-SD07                      | 1        |
| 5       | <u>VT0009494</u> | Wheel set - Driving            |                                | 2        |
| 6       | <u>VT0009495</u> | Shaft set                      | L460                           | 1        |
| 7       | <u>VT0009496</u> | Rubber                         | D40 L45 M10                    | 4        |
| 8       | <u>VT0009497</u> | Cross bar                      | Less than or equal to 190mm    | 1        |
| 8       | <u>VT0009498</u> | Cross bar                      | Greater than or equal to 300mm | 1        |
| 9       | <u>VT0009340</u> | Return sprocket                |                                | 1        |
| 10      | <u>VT0009214</u> | Chain sprocket                 |                                | 1        |
| 11      | <u>VT0009331</u> | Lifting sprocket               |                                | 1        |
| 12      | <u>VT0009499</u> | Limit switch assembly          | 1 seuil                        | 1        |
| 12      | <u>VT0009500</u> | Limit switch assembly          | 2 seuils                       | 1        |
| 13      | <u>VT0009079</u> | Limit switch assembly          |                                | 1        |
| 14      | <u>VT0009078</u> | Limit switch activator set     |                                | 1        |
| 15      | <u>VT0006603</u> | Chain bucket                   | 12 & 16m                       | 1        |
| 15      | <u>VT0007223</u> | Chain bucket                   | 30m - L300 W382 H613           | 1        |
| 15      | <u>VT0009501</u> | Chain bucket                   | 50m - L300 W421,5 H811,5       | 1        |
| 16      | <u>VT0009482</u> | Tie rod                        | L 130/138                      | 1        |
| 16      | <u>VT0009483</u> | Tie rod                        | L 139/150                      | 1        |
| 16      | <u>VT0009484</u> | Tie rod                        | L 151/189                      | 1        |
| 16      | <u>VT0009485</u> | Tie rod                        | L 190/197                      | 1        |
| 16      | <u>VT0009486</u> | Tie rod                        | L 198/200                      | 1        |
| 16      | <u>VT0009487</u> | Tie rod                        | L 201/249                      | 1        |
| 16      | <u>VT0009488</u> | Tie rod                        | L 250/299                      | 1        |
| 16      | <u>VT0009489</u> | Tie rod                        | L 300/310                      | 1        |
| 17      | <u>VT0006604</u> | Fixing set of chain bucket     | 12m & 16m                      | 1        |
| 17      | <u>VT0009502</u> | Fixing set of chain bucket     | 30m & 50m                      | 1        |
| 18      | <u>VT0009504</u> | Buffer                         |                                | 1        |
| 19      | <u>VT0006611</u> | Half casing set                |                                | 1        |
| 20      | <u>VT0006613</u> | Hook assembly                  | Standard - RSN08               | 1        |
| 21      | <u>VT0009506</u> | Complete hook block            |                                | 1        |
| 22      | <u>VT0009507</u> | Anchor set                     |                                |          |

|    |                  |                              |         |   |
|----|------------------|------------------------------|---------|---|
| 23 | <u>VT0009508</u> | Limit switch activator set   |         | 1 |
| 24 | <u>VT0008761</u> | Towing arm                   | L 250   | 1 |
| 24 | <u>VT0008762</u> | Towing arm                   | L 450   | 1 |
| 25 | <u>VT0006599</u> | Set of 10 load plates - Hook | 2500 Kg | 1 |
| 26 | <u>VT0007826</u> | Set of 10 load plates - Hook | 5000 Kg | 1 |