

Spare parts VR02 – Phase 1

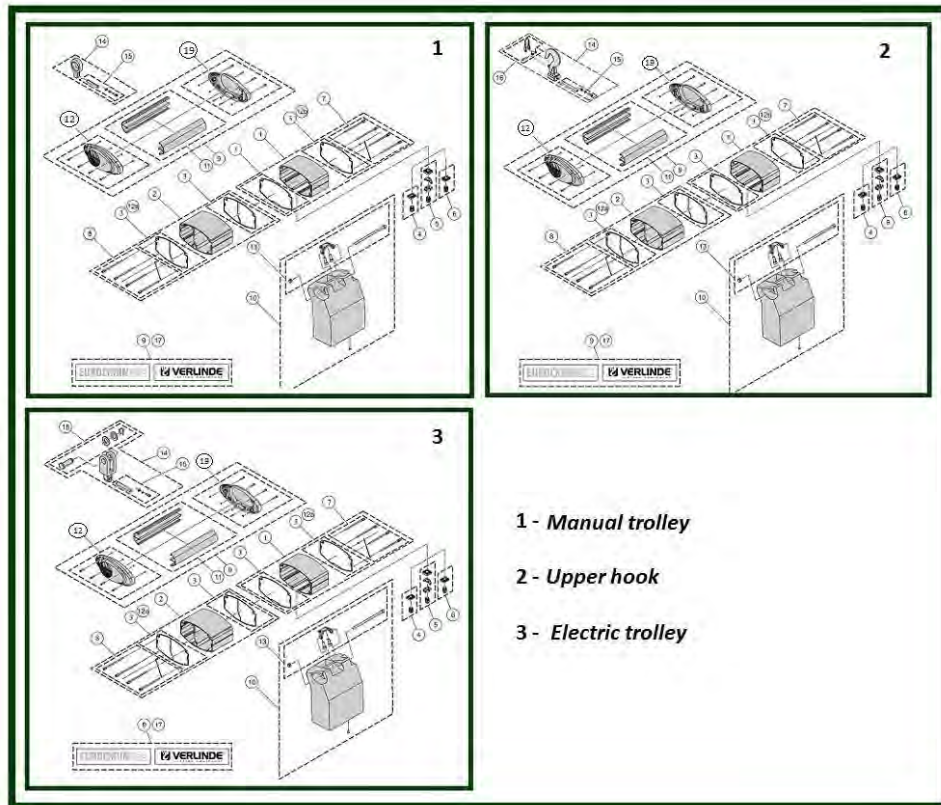
To avoid errors, when ordering please specify:

- Complete type of hoist
- Date of manufacture and serial number
- Spare part code
- Spare part designation
- Additional information

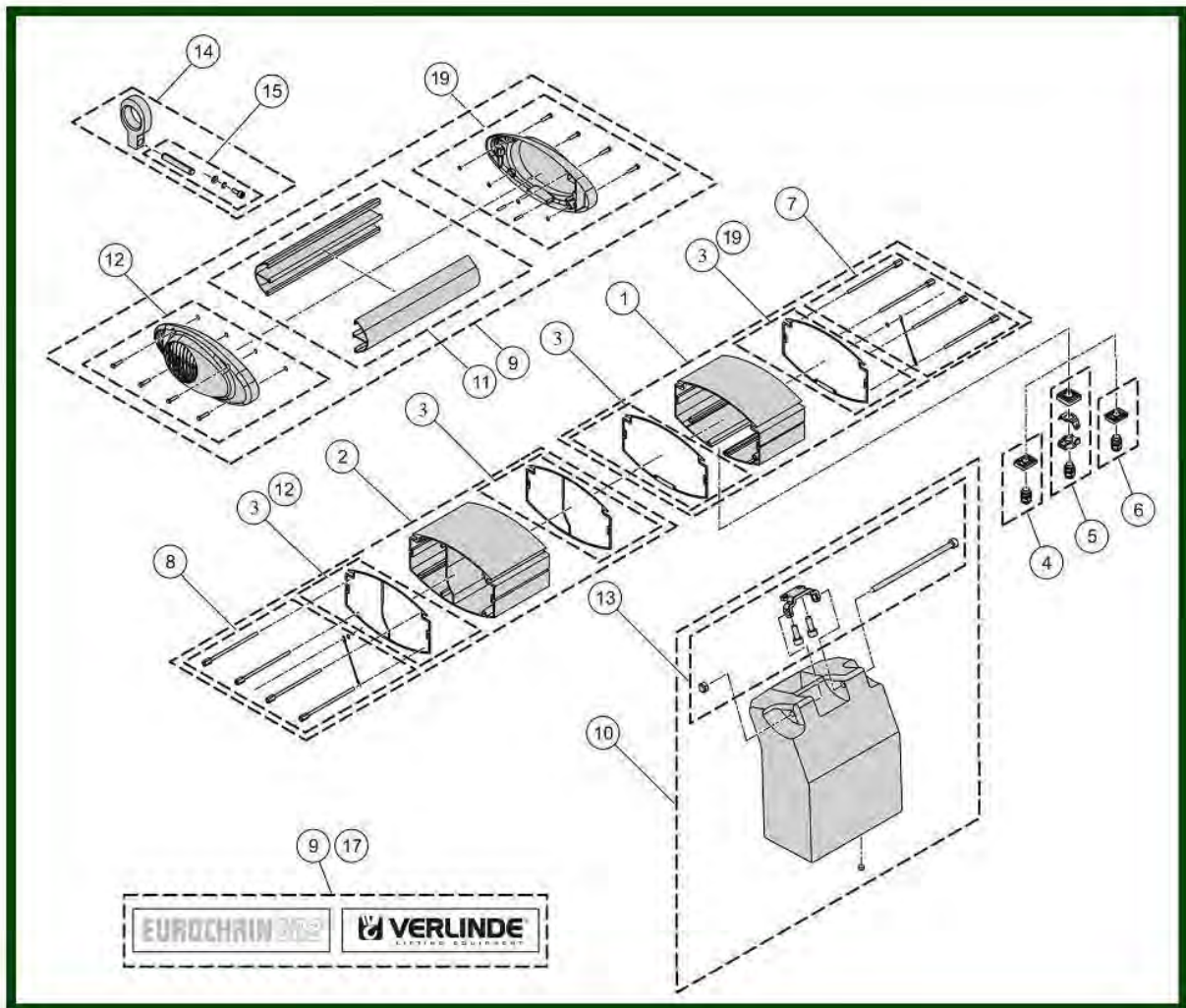


1. FRAME.....	3
1.1. Manual trolley.....	4
1.2. Upper hook	6
1.3. Electric trolley	8
2. CHAIN GUIDE.....	10
2.1. Digichain	12
2.2. Precut chain	15
3. GEAR	16
3.1. Single brake – Standard limit switch.....	17
3.2. Double brakes - Standard limit switch.....	19
4. MOTOR	21
4.1. Single brake	22
4.2. Double brakes	24
5. ELECTRICAL PARTS	26
5.1. Solo Equipment– Standard.....	27
5.2. Equipment for Eurosystem - Steel - Alu. & PRV	30
5.3. Equipment for crane kit - For UT+GTR+GTN	33
5.4 Without electric component.....	35
5.5. Direct voltage – ACF	36
5.6. Solo hoist – Harding wiring	37
6. PUSH BUTTON CONTROLLER.....	38
6.1. 2 buttons	39
6.2. 4 buttons	41
6.3. 6 buttons	43
6.4. Push button controller - From september 2014.....	44
7. TROLLEY – NORMAL HEADROOM TROLLEY	47
7.1. C1 Trolley - 0 to 1000 kg – Hanging version	48
7.2. C1 Trolley – 0 to 1000 Kg – Coupled version.....	50
7.3. Inverter TMU motor VR hoist.....	52
7.4. Two speeds TMU motor for VR hoist.....	53
7.5. Chain travel	55
7.6. Right angle motor	56
8. LOW HEADROOM TROLLEY	57
9. CHD MANUAL TROLLEY	59

1. FRAME



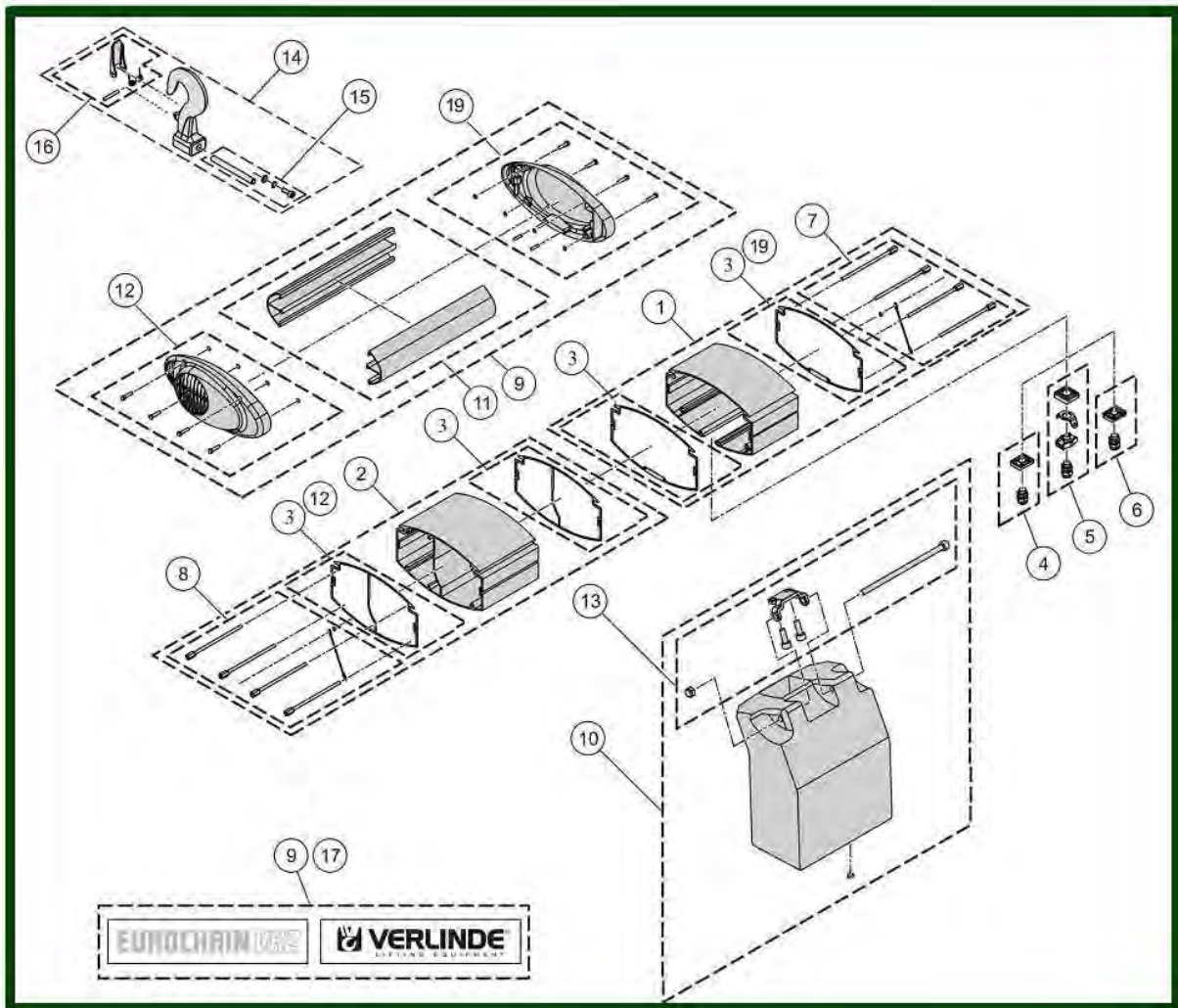
1.1. Manual trolley



Manual trolley

Item	Reference	Description	Observation	Quantity
1	<u>VT0004898</u>	Frame - Brake side	Single brake	1
2	<u>VT0004868</u>	Frame - Motor side	Single brake	1
3	<u>VT0004542</u>	Sealings set		1
4	<u>VT0006454</u>	Square cable entry	12G1.5/4G2.5/4G 6mm2 - ISO 25	1
4	<u>VT0006393</u>	Cable gland set Square cable entry	CG M20- ISO 20 Trolley – Power supply	1
4	<u>VT0005089</u>	Cable gland set Rectangular entry	Power supply - Only VR2 ISO 20	1
5	<u>VT0005090</u>	Cable gland set Square cable entry	Push button controller From september 2014	1
6	<u>VT0005091</u>	End cap Rectangular entry	Power supply - Only VR2	1
6	<u>VT0006089</u>	Bouchon Square cable entry		1
7	<u>VT0006278</u>	Screws set M6L127 - Brake side	Single brake + Gear limit switch 2 comes	1
8	<u>VT0006279</u>	Screws set M6L155 - Motor side	Single brake	1
9	<u>VT0006276</u>	Capot	Single brake	1
10	<u>VT0004544</u>	Chain bucket	6 m	1
10	<u>VT0006284</u>	Chain bucket	16 m	1
10	<u>VT0006667</u>	Chain bucket	35 m	1
11	<u>VT0004545</u>	Cover set	Single brake	1
12	<u>VT0006282</u>	Cover set - Motor side		1
13	<u>VT0004547</u>	Fixing set of Chain bucket	6 m + 16 m + 35 m	1
14	<u>VT0009132</u>	Suspension eye Parallel	Manual trolley	1
14	<u>VT0004803</u>	Suspension eye Perpendicular	Manual trolley	1
15	<u>VT0004539</u>	Shaft set		1
17	<u>VT0006275</u>	Set of 10 stickers - Brand	Single brake	1
19	<u>VT0006283</u>	Cover set - Brake side		1
20	<u>VT0006451</u>	Set of 10 load plates	63 Kg	1
20	<u>VT0006241</u>	Set of 10 load plates	125 Kg	1
20	<u>VT0006450</u>	Set of 10 load plates	160 Kg	1
20	<u>VT0006091</u>	Set of 10 load plates	250 Kg	1
20	<u>VT0006449</u>	Set of 10 load plates	320 Kg	1
21	<u>VT0006026</u>	Identification plate	Serial number request	1

1.2. Upper hook

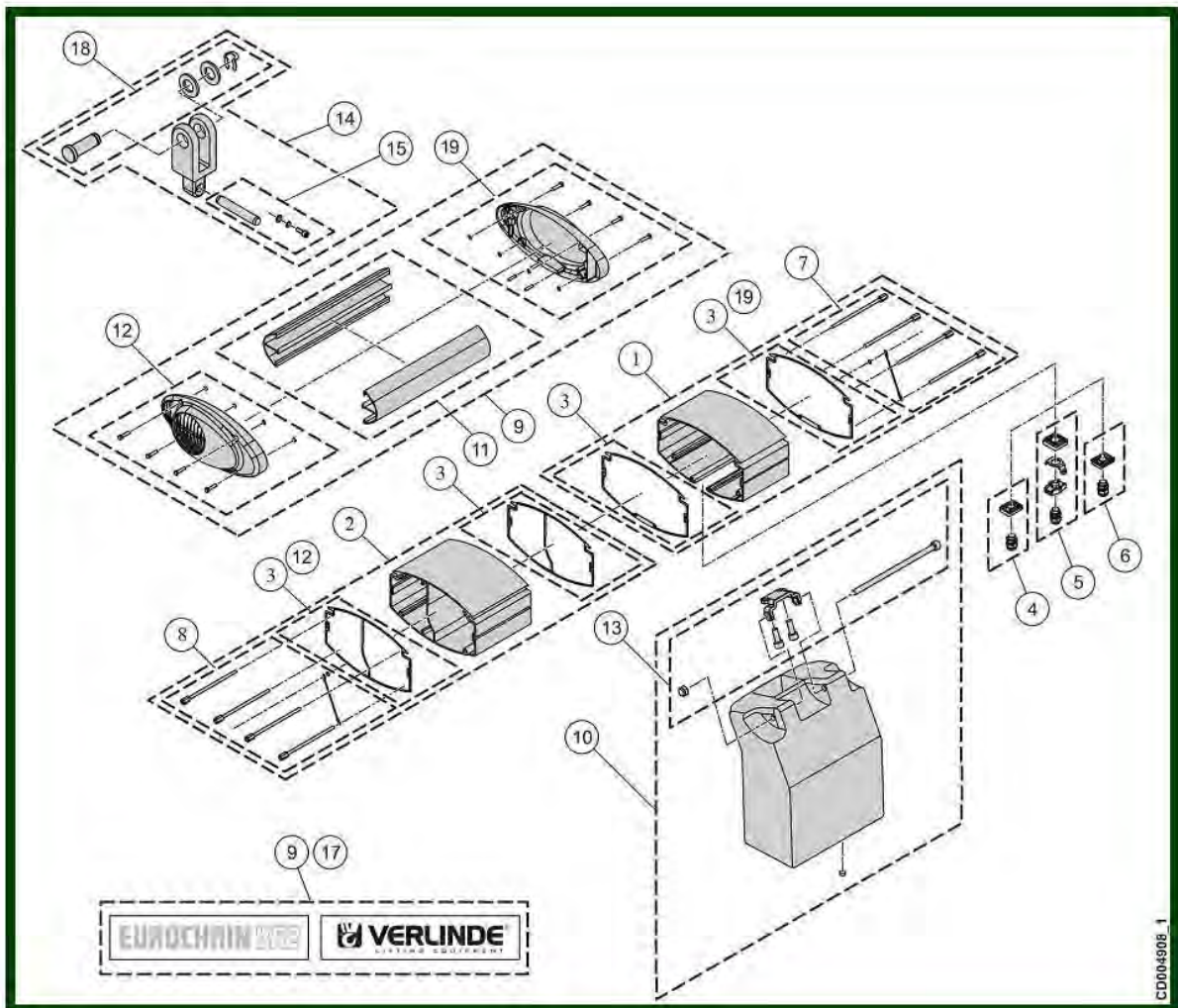


Upper hook

Item	Reference	Description	Observation	Quantity
1	<u>VT0004898</u>	Frame - Brake side	Single brake	1
2	<u>VT0004868</u>	Frame - Motor side	Single brake	1
3	<u>VT0004542</u>	Sealings set		1
4	<u>VT0006454</u>	Cable gland set flat cable Square cable entry	12G1.5/4G2.5/4G6mm2 - ISO 25	1
4	<u>VT0006393</u>	Cable gland set Square cable entry	CG M20- ISO 20 Trolley - Power supply	1
4	<u>VT0005089</u>	Cable gland set Rectangular entry	Power supply - Only VR2 ISO 20	1
5	<u>VT0005090</u>	Cable gland set Square cable entry	Push button controller From september 2014	1
6	<u>VT0005091</u>	Bouchon Rectangular entry	Power supply - Only VR2	1
6	<u>VT0006089</u>	Bouchon Square cable entry		1
7	<u>VT0006278</u>	Screws set M6L127 - Brake side	Single brake + Gear limit switch 2 comes	1
8	<u>VT0006279</u>	Screws set M6L155 - Motor side	Single brake	1
9	<u>VT0006276</u>	Capot	Single brake	1
10	<u>VT0004544</u>	Chain bucket	6 m	1
10	<u>VT0006284</u>	Chain bucket	16 m	1
10	<u>VT0006667</u>	Chain bucket	35 m	1
11	<u>VT0004545</u>	Cover set	Single brake	1
12	<u>VT0006282</u>	Cover set - Motor side		1
13	<u>VT0004547</u>	Fixing set of Chain bucket	6 m + 16 m + 35 m	1
14	<u>VT0004925</u>	Crochet fixe		1
15	<u>VT0004539</u>	Shaft set		1
16	<u>VT0004905</u>	Safety latch set		1
17	<u>VT0006275</u>	10 stickers set - Brand	Single brake	1
19	<u>VT0006283</u>	Cover set - Brake side		1
20	<u>VT0006451</u>	Set of 10 load plates	63 Kg	1
20	<u>VT0006241</u>	Set of 10 load plates	125 Kg	1
20	<u>VT0006450</u>	Set of 10 load plates	160 Kg	1
20	<u>VT0006091</u>	Set of 10 load plates	250 Kg	1
20	<u>VT0006449</u>	Set of 10 load plates	320 Kg	1
21	<u>VT0006026</u>	Identification plate	Serial number request	1
-	<u>VT0006759</u>	Parallel hook		1

1.3. Electric trolley

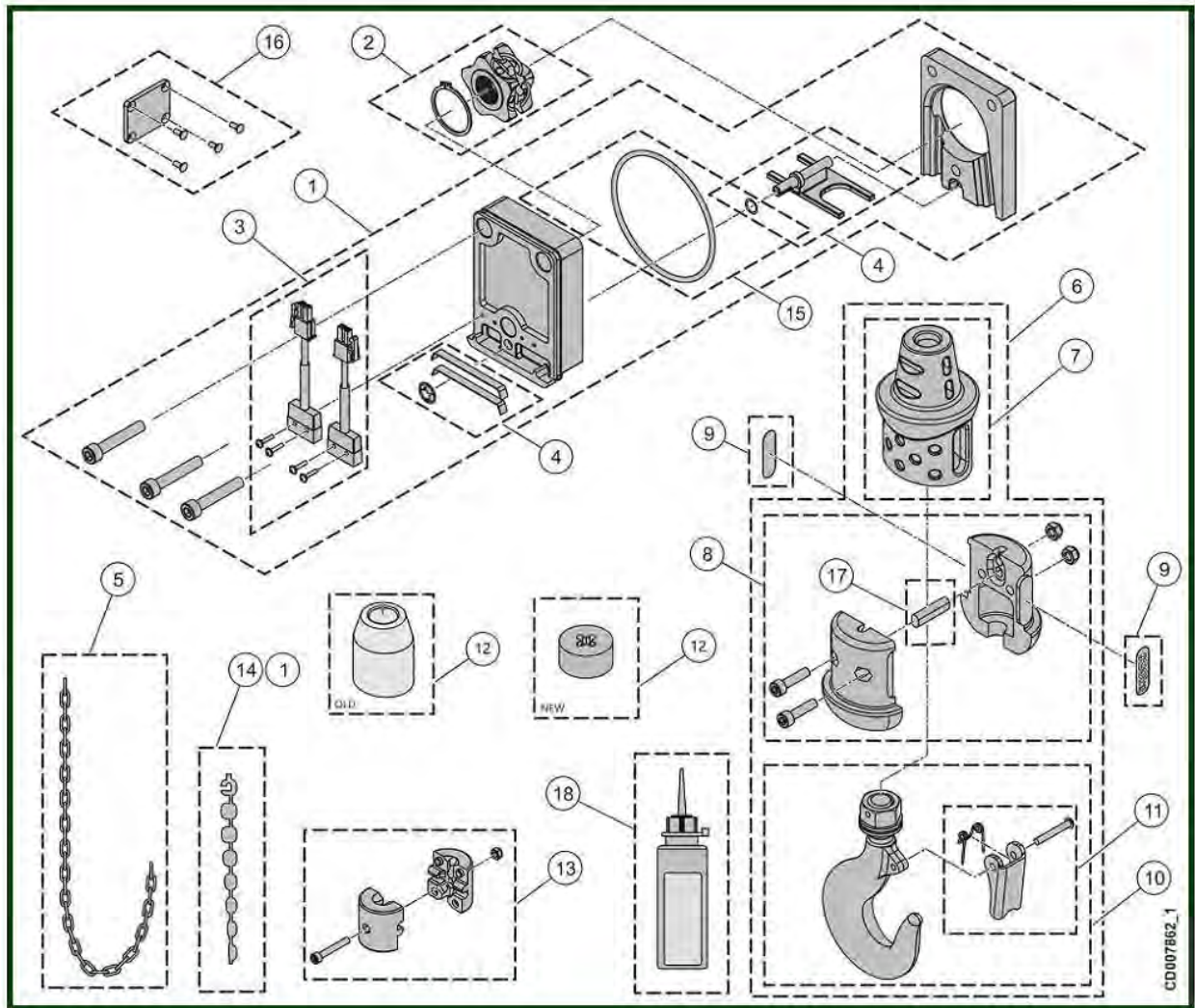
0 to 1000 kg



Electric trolley

Item	Reference	Description	Observation	Quantity
1	<u>VT0004898</u>	Frame - Brake side	Single brake	1
2	<u>VT0004868</u>	Frame - Motor side	Single brake	1
3	<u>VT0004542</u>	Sealings set		1
4	<u>VT0006454</u>	Cable gland set flat cable - Square cable entry	12G1.5/4G2.5/4G6mm2 - ISO 25	1
4	<u>VT0006393</u>	Cable gland set Square cable entry	CG M20- ISO 20 Trolley-Alimentation	1
4	<u>VT0005089</u>	Cable gland set Rectangular entry	Power supply - Only VR2 ISO 20	1
5	<u>VT0005090</u>	Cable gland set Square cable entry	Push button controller From september 2014	1
6	<u>VT0005091</u>	Bouchon Rectangular entry	Power supply - Only VR2	1
6	<u>VT0006089</u>	Bouchon Square cable entry		1
7	<u>VT0006278</u>	Screws set M6L127 - Brake side	Single brake + Gear limit switch 2 comes	1
8	<u>VT0006279</u>	Screws set M6L155 - Motor side	Single brake	1
9	<u>VT0006276</u>	Capot	Single brake	1
10	<u>VT0004544</u>	Chain bucket	6 m	1
10	<u>VT0006284</u>	Chain bucket	16 m	1
10	<u>VT0006667</u>	Chain bucket	35 m	1
11	<u>VT0004545</u>	Cover set	Single brake	1
12	<u>VT0006282</u>	Cover set - Motor side		1
13	<u>VT0004547</u>	Fixing set de Chain bucket	6 m + 16 m + 35 m	1
14	<u>VT0005309</u>	Coupling part Electric trolley	0 to 1000 Kg	1
15	<u>VT0004539</u>	Shaft set		1
17	<u>VT0006275</u>	Set of 10 stickers - Marque	Single brake	1
18	<u>VT0006281</u>	Shaft set - Electric trolley		1
19	<u>VT0006283</u>	Cover set - Brake side		1
20	<u>VT0006451</u>	Set of 10 load plates	63 Kg	1
20	<u>VT0006241</u>	Set of 10 load plates	125 Kg	1
20	<u>VT0006450</u>	Set of 10 load plates	160 Kg	1
20	<u>VT0006091</u>	Set of 10 load plates	250 Kg	1
20	<u>VT0006449</u>	Set of 10 load plates	320 Kg	1
21	<u>VT0006026</u>	Identification plate	Serial number request	1

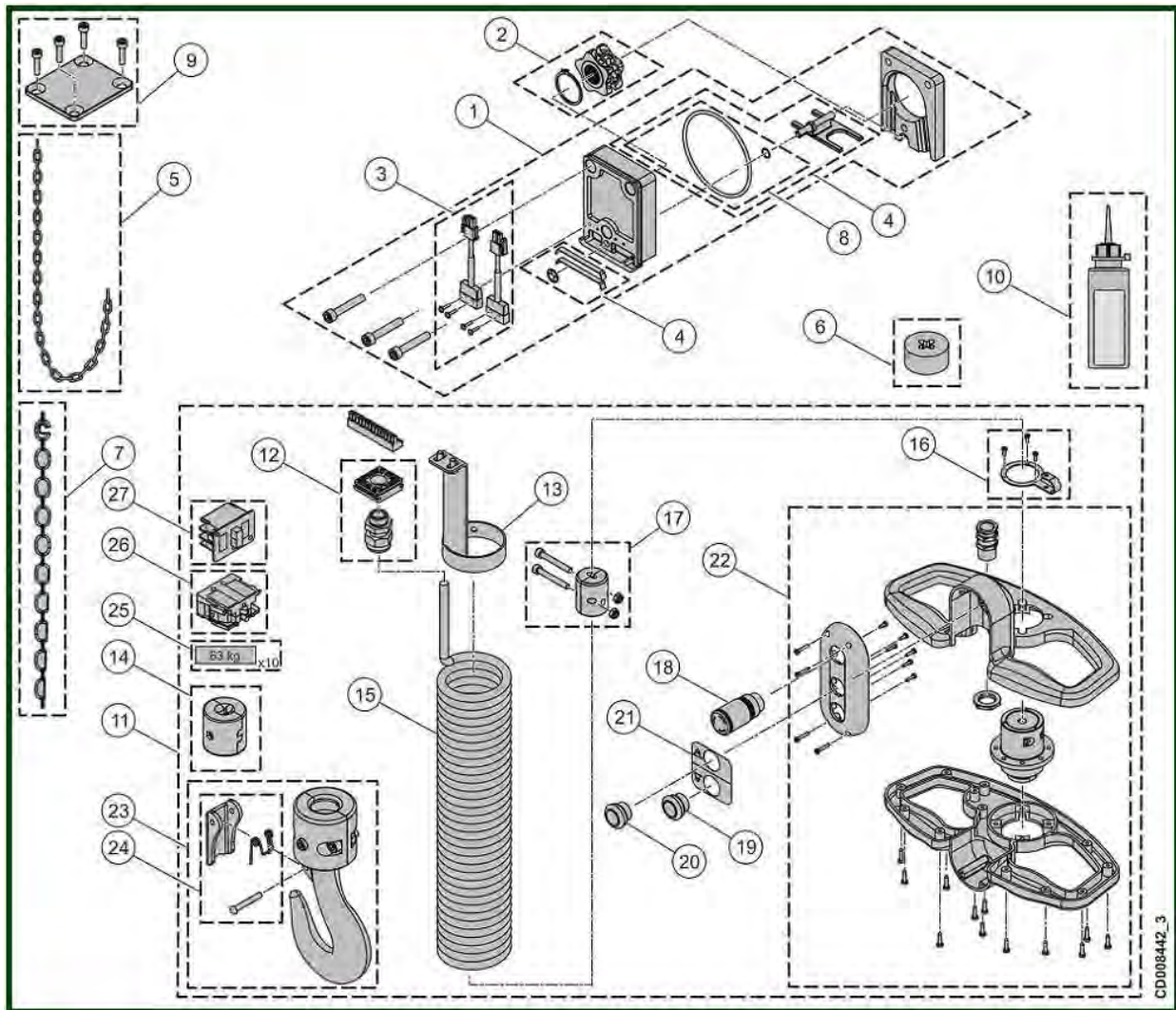
2. CHAIN GUIDE



CHAIN GUIDE

Item	Reference	Description	Observation	Quantity
1	VT0006426	Chain guide	Chain 4x11	1
2	VT0004540	Chain sprocket		1
3	VT0004876	Switch set		1
4	VT0004541	Limit switch activator		1
5	VT0005076	Galvanized chain - 4x11	Standard	1
5	VT0006274	Stainless steel chain - 4x11	BE CAREFUL : The max load have to be decreased	1
6	VT0006490	Hook block - 1 fall	Automatic hook	1
6	VT0006489	Hook block - 1 fall	Stainless steel hook	1
6	VT0004928	Hook block - 1 fall	Standard hook	1
7	VT0004930	Rubber chain stop		1
8	VT0004725	Half casing set		1
9	VT0006285	Set of 10 load plates	63 Kg	1
9	VT0006344	Set of 10 load plates	125 Kg	1
9	VT0006345	Set of 10 load plates	160 Kg	1
9	VT0006346	Set of 10 load plates	250 Kg	1
9	VT0006347	Set of 10 load plates	320 Kg	1
10	VT0006455	Hook assembly	BE CAREFUL : Sainless steel chain The max load have to be decreased	1
10	VT0004926	Hook assembly	Standard	1
10	VT0006427	Hook assembly	Automatic - 1+2 falls	1
11	VT0004905	Safety latch set	Standard hook	1
12	VT0004934	Rubber chain stop Old model	BE CAREFUL : Sainless steel chain The max load have to be decreased	1
12	VT0007576	Rubber chain stop Since 17/06/2015		1
13	VT0004878	Chain stop		1
14	VT0005573	Chain fitting tool	CHCM-011	1
15	VT0006096	Sealing		1
16	VT0005087	End cap	Chain guide	1
17	VT0006093	Pin		1
-	VT0006025	Oil can		1

2.1. Digichain



Digichain

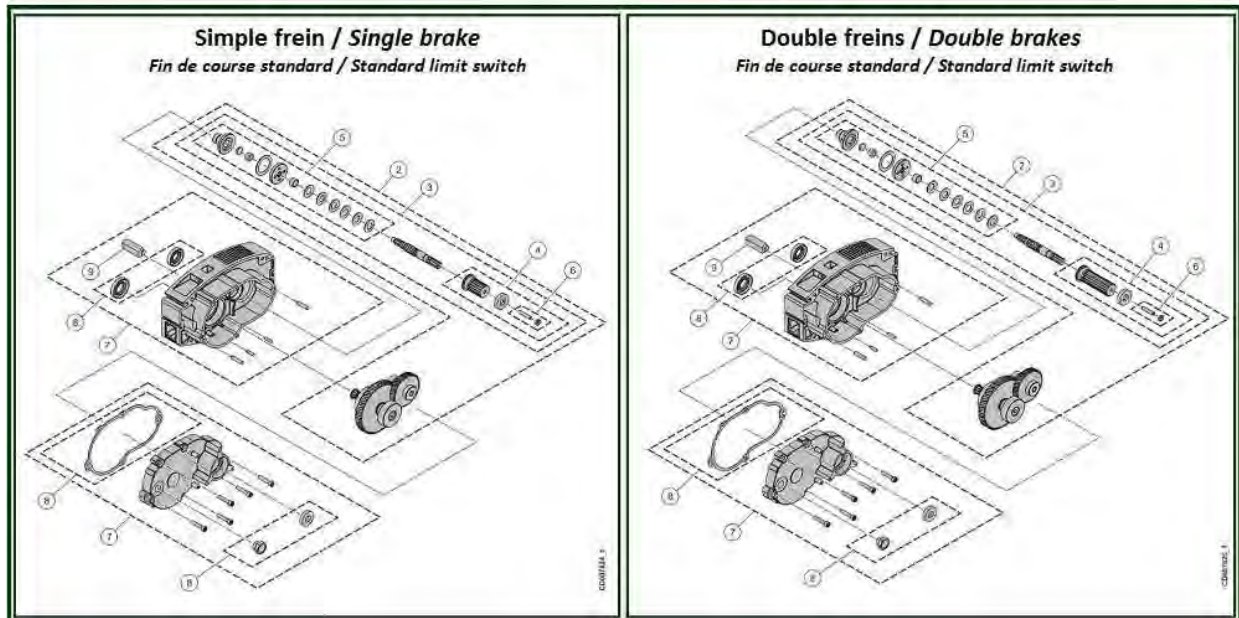
Item	Reference	Description	Observation	Quantity
1	<u>VT0006426</u>	Chain guide	Chain 4x11	1
2	<u>VT0004540</u>	Chain sprocket		1
3	<u>VT0004724</u>	Switch set		1
4	<u>VT0004541</u>	Limit switch activator		1
5	<u>VT0005076</u>	Galvanised chain - 4x11	Standard	1
5	<u>VT0006274</u>	Stainless steel chain - 4x11	Be careful : hoist downgraded	1
6	<u>VT0007576</u>	Rubber chain stop Since 17/06/2015		1
7	<u>VT0005573</u>	Chain fitting tool	CHCM-011	1
8	<u>VT0005096</u>	Sealing		1
9	<u>VT0005087</u>	End cap	Guide Chain	1
10	<u>VT0006025</u>	Oil can		1
11	<u>VT0006332</u>	Digichain sub assy. for VR2	Lg 3m	1
11	<u>VT0009201</u>	Digichain sub assy. for VR2	Lg 5m	1
12	<u>VT0006393</u>	Cable gland set Square cable entry	CG M20- ISO 20 Trolley-Power supply	1
13	<u>VT0009203</u>	Fixing set	D70H148	1
14	<u>VT0007575</u>	Chain stop	L30W32H50	1
15	<u>VT0009205</u>	Spiral cable	Lg 3m	1
15	<u>VT0009206</u>	Spiral cable	Lg 5m	1
16	<u>VT0008839</u>	Fixing plate		1
17	<u>VT0009207</u>	Coupling set	D35H45	1
18	<u>VT0006548</u>	Emergency push button		1
19	<u>VT0009208</u>	White button	XACA9411	1
20	<u>VT0009209</u>	Push button	XACA9412	1
21	<u>VT0009210</u>	Up & down sticker	CCGCPBPB-00	1
22	<u>VT0009211</u>	Pendant box module	CC05PBPB-01	1
23	<u>VT0009014</u>	Standard safety hook	RSN020T-HCH	1
24	<u>VT0004968</u>	Safety latch set -0,12T-0,25T	Single brake- Standard hook	1

25	<u>VT0009164</u>	Set of 10 load plates	63 kg	1
25	<u>VT0009165</u>	Set of 10 load plates	80 kg	1
25	<u>VT0009166</u>	Set of 10 load plates	125 kg	1
25	<u>VT0009167</u>	Set of 10 load plates	160 kg	1
25	<u>VT0009168</u>	Set of 10 load plates	250 kg	1
25	<u>VT0009169</u>	Set of 10 load plates	320 kg	1
25	<u>VT0009170</u>	Set of 10 load plates	500 kg	1
26	<u>VT0009212</u>	Contact block	XAC-S 414	1
27	<u>VT0007879</u>	Contact block	XENG1191	1

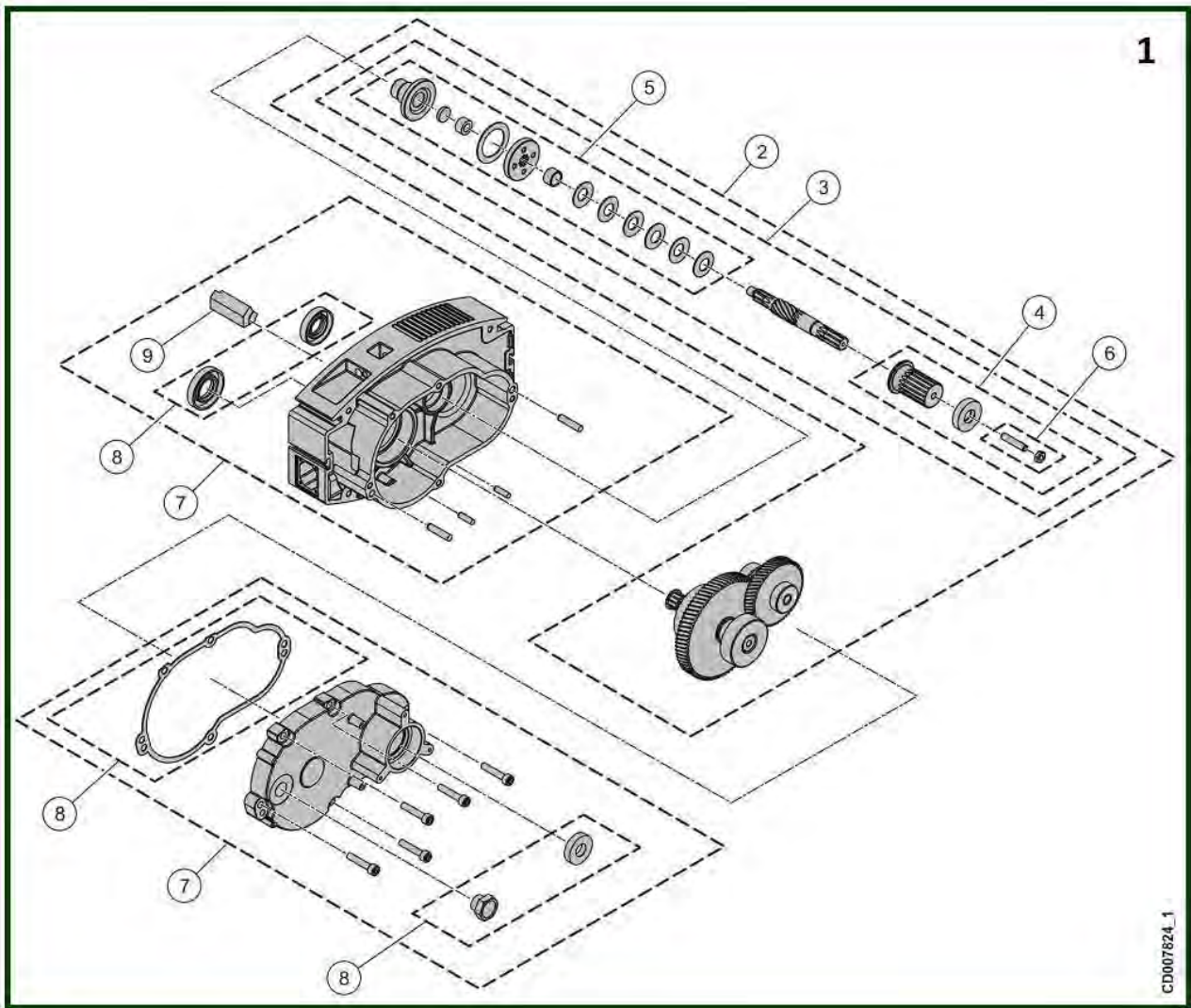
2.2. Precut chain

Item	Reference	Description	Observation	Quantity
	<u>53020235</u>	Galvanized load chain 4x11	4 m	1
	<u>53020251</u>	Galvanized load chain 4x11	6 m	1

3. GEAR



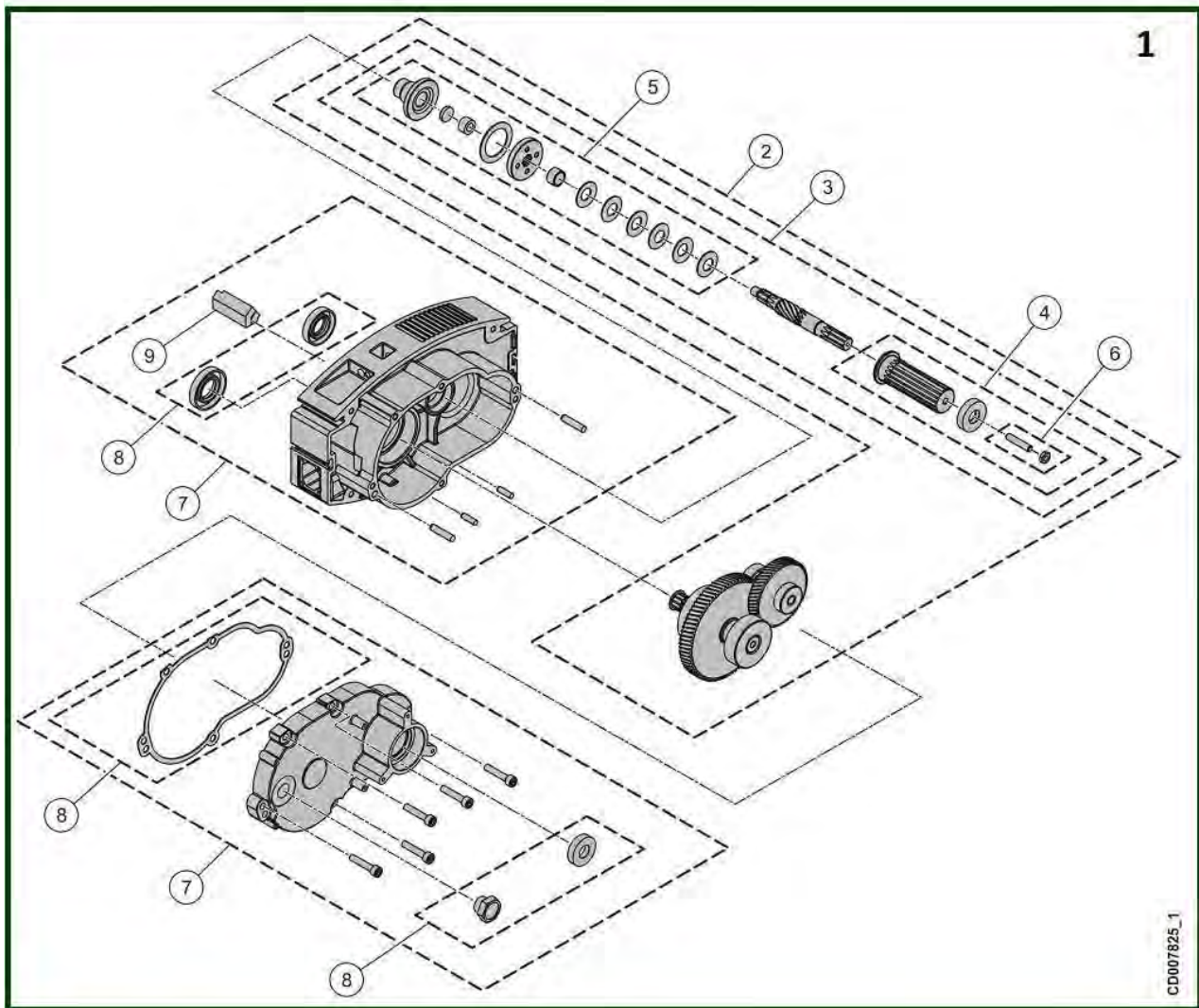
3.1. Single brake – Standard limit switch



Single brake – Standard limit switch

Item	Reference	Description	Observation	Quantity
1	<u>VT0007624</u>	Gear assembly Inferior or equal to 63 Kg	4m/8m/min	1
1	<u>VT0007625</u>	Gear assembly Inferior or equal to 63 Kg	10m/min	1
1	<u>VT0007626</u>	Gear assembly Inferior or equal to 63 Kg	16m/min	1
1	<u>VT0007627</u>	Gear assembly Inferior or equal to 63 Kg	20m/min	1
1	<u>VT0007588</u>	Gear assembly More than 63 Kg	4-8 m/min	1
1	<u>VT0007622</u>	Gear assembly More than 63 Kg	10m/min	1
1	<u>VT0007589</u>	Gear assembly More than 63 Kg	16m/min	1
1	<u>VT0007623</u>	Gear assembly More than 63 Kg	20m/min	1
2	<u>VT0007634</u>	Gear / Pinion set Inferior or equal to 63 Kg	4m/8m/min	1
2	<u>VT0007635</u>	Gear / Pinion set Inferior or equal to 63 Kg	10m/min	1
2	<u>VT0007638</u>	Gear / Pinion set Inferior or equal to 63 Kg	16m/min	1
2	<u>VT0007639</u>	Gear / Pinion set Inferior or equal to 63 Kg	20m/min	1
2	<u>VT0006286</u>	Gear / Pinion set More than 63 Kg	4m/8m/min	1
2	<u>VT0006289</u>	Gear / Pinion set More than 63 Kg	10m/min	1
2	<u>VT0006290</u>	Gear / Pinion set More than 63 Kg	16m/min	1
2	<u>VT0006291</u>	Gear / Pinion set More than 63 Kg	20m/min	1
3	<u>VT0004727</u>	Coupling - Brake side More than 63 Kg	Single brake	1
3	<u>VT0007640</u>	Gear shaft with clutch Inferior or equal to 63 Kg	Single brake	1
4	<u>VT0004548</u>	Coupling - Brake side	Single brake	1
5	<u>VT0006114</u>	Clutch Inferior or equal to 63 Kg		1
5	<u>VT0004939</u>	Clutch More than 63 Kg		1
6	<u>VT0006107</u>	Screws set		1
7	<u>VT0004940</u>	Frame	Standard	1
8	<u>VT0004844</u>	Sealing set	Standard	1
9	<u>VT0004650</u>	Grommet		1

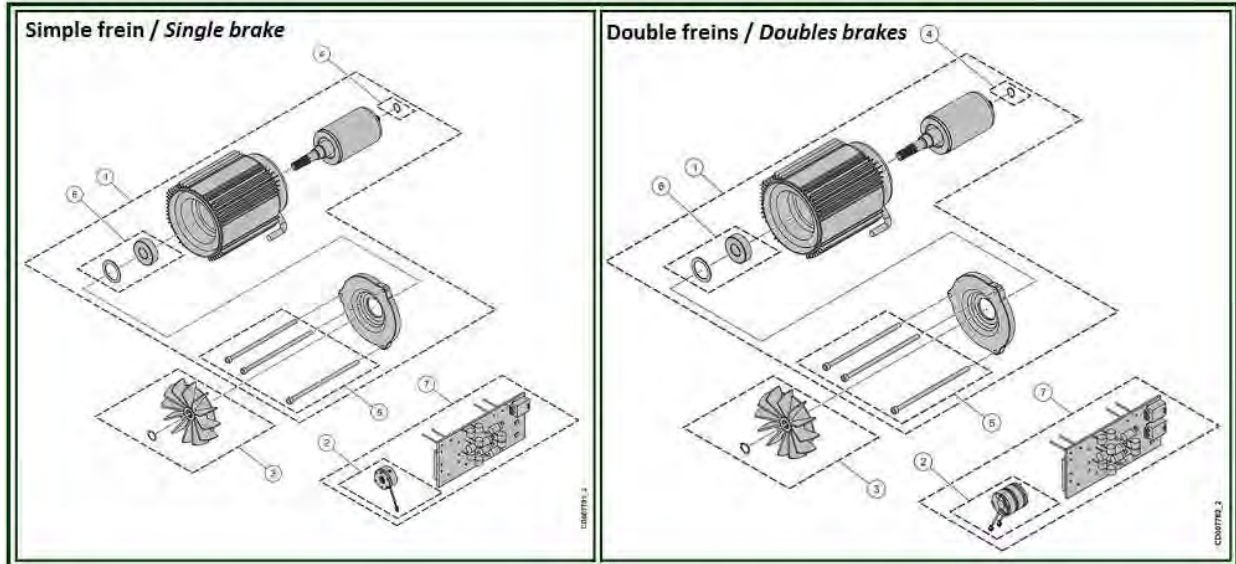
3.2. Double brakes - Standard limit switch



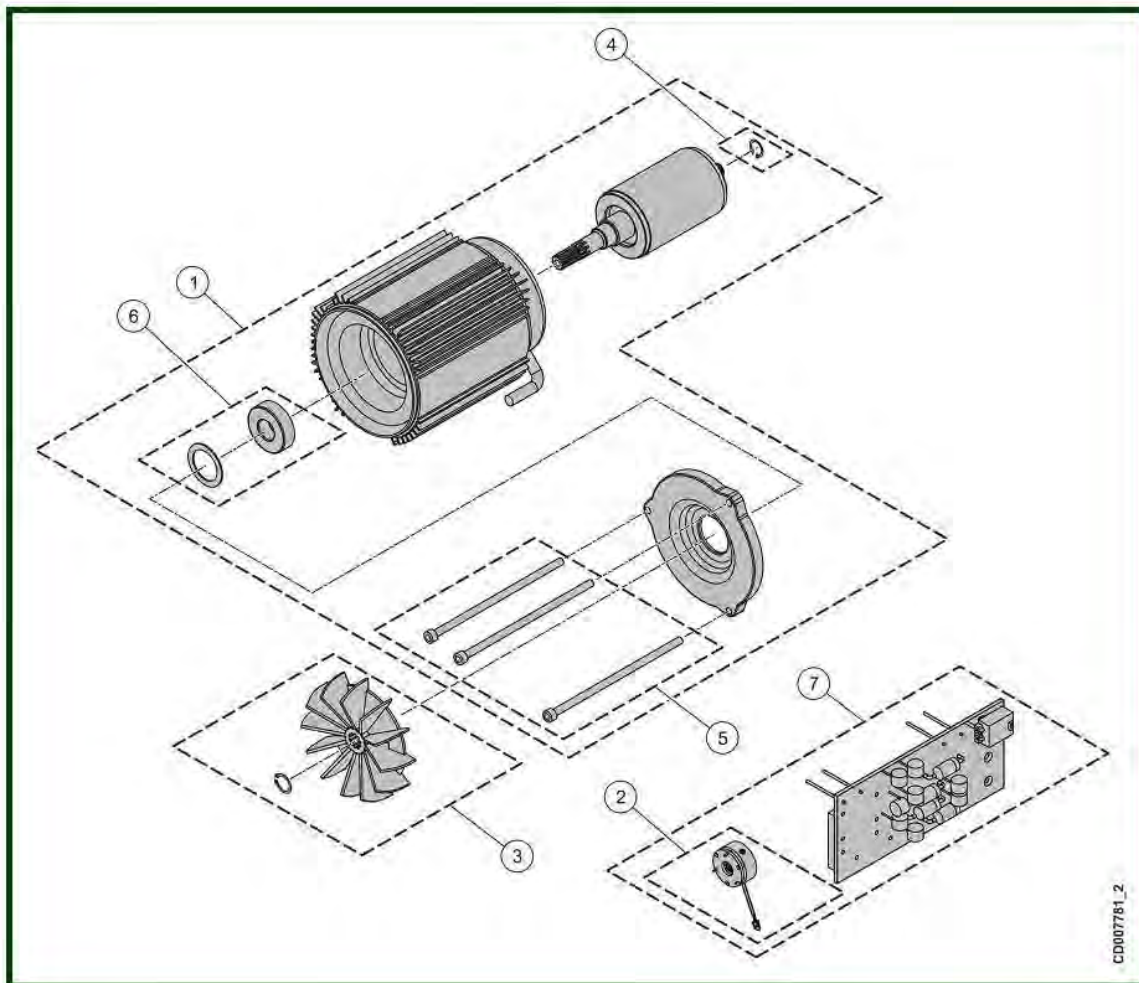
Double brakes - Standard limit switch

Item	Reference	Description	Observation	Quantity
1	<u>VT0007630</u>	Gear assembly Inferior or equal to 63 Kg	4m/8m/min	1
1	<u>VT0007631</u>	Gear assembly Inferior or equal to 63 Kg	10m/min	1
1	<u>VT0007632</u>	Gear assembly Inferior or equal to 63 Kg	16m/min	1
1	<u>VT0007633</u>	Gear assembly Inferior or equal to 63 Kg	20m/min	1
1	<u>VT0006988</u>	Gear assembly More than 63 Kg	4-8 m/min	1
1	<u>VT0007628</u>	Gear assembly More than 63 Kg	10m/min	1
1	<u>VT0006987</u>	Gear assembly More than 63 Kg	16m/min	1
1	<u>VT0007629</u>	Gear assembly More than 63 Kg	20m/min	1
2	<u>VT0007646</u>	Gear / pinion set Inferior or equal to 63 Kg	4m/8m/min	1
2	<u>VT0007647</u>	Gear / pinion set Inferior or equal to 63 Kg	10m/min	1
2	<u>VT0007648</u>	Gear / pinion set Inferior or equal to 63 Kg	16m/min	1
2	<u>VT0007649</u>	Gear / pinion set Inferior or equal to 63 Kg	20m/min	1
2	<u>VT0007642</u>	Gear / Pinion set More than 63 Kg	4/8m/min	1
2	<u>VT0007643</u>	Gear / Pinion set More than 63 Kg	10m/min	1
2	<u>VT0007644</u>	Gear / Pinion set More than 63 Kg	16m/min	1
2	<u>VT0007645</u>	Gear - Pinion set More than 63 Kg	20m/min	1
3	<u>VT0007651</u>	Gear shaft with clutch Inferior or equal to 63 Kg	Double brakes	1
3	<u>VT0007650</u>	Gear shaft with clutch More than 63 Kg	Double brakes	1
4	<u>VT0007641</u>	Coupling - Brake side More than 63 Kg	Double brakes	1
5	<u>VT0006114</u>	Clutch Inferior or equal to 63 Kg		1
5	<u>VT0004939</u>	Clutch More than 63 Kg		1
6	<u>VT0006107</u>	Screws set		1
7	<u>VT0004940</u>	Frame	Standard	1
8	<u>VT0004844</u>	Sealing set	Standard	1
9	<u>VT0004650</u>	Grommet		1

4. MOTOR



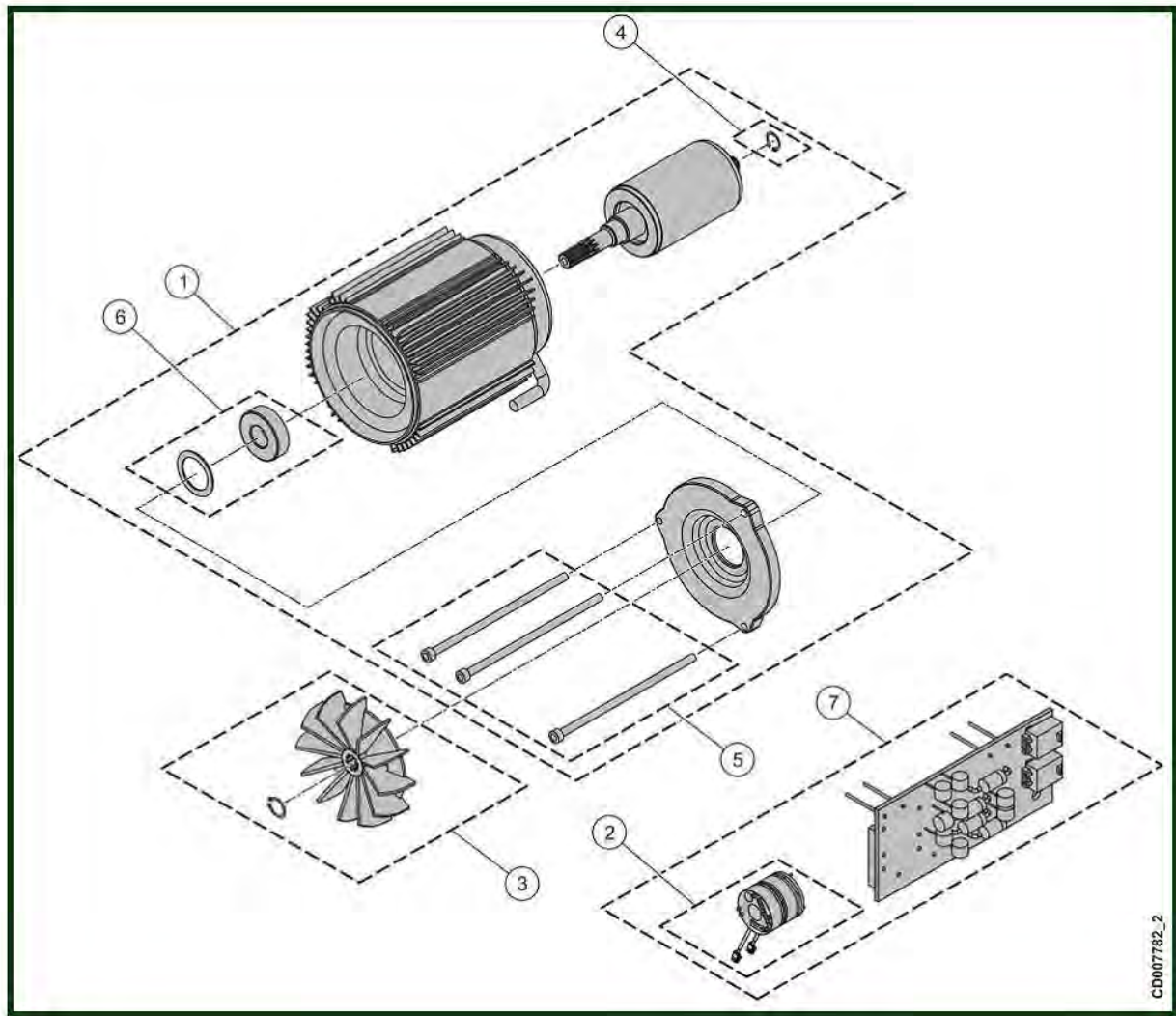
4.1. Single brake



Single brake

Item	Reference	Description	Observation	Quantity
1	<u>VT0004654</u>	Motor - 1 speed 380-415V - 50Hz 440-480V - 60Hz	4 m / min 1500 tours	1
1	<u>VT0007718</u>	Motor - 2 speeds 208-230V 60Hz	2-4 m/min	1
1	<u>VT0004660</u>	Motor - 2 speeds 220-240V 50Hz	8-10-16-20m/min 3000/750tr/min	1
1	<u>VT0007716</u>	Motor - 2 speeds 220-240V/50Hz	2-4 m/min	1
1	<u>VT0007719</u>	Motor - 2 speeds 380-400V 60Hz	2-4 m/min	1
1	<u>VT0007715</u>	Motor 2 speeds 380-400V 60Hz	8-10-16-20m/min	1
1	<u>VT0004651</u>	Motor - 2 speeds 380-415V - 50Hz 440-480 - 60Hz	8 m / min 3000 tours	1
1	<u>VT0006307</u>	Motor - 2 speeds 380-415V/50Hz 440-480V 60Hz	2-4 m/min 1500/750tr/min 1800/900tr/min	1
1	<u>VT0006755</u>	Motor - 2 speeds 500-525V 50Hz 575-600V 60Hz	8-10-16-20m/min	1
1	<u>VT0007717</u>	Motor - 2 speeds 500-525V/50Hz 575-600V/60Hz	2-4 m/min	1
2	<u>VT0006353</u>	Single brake	240-500V	1
2	<u>VT0006354</u>	Single brake	320-690V	1
2	<u>VT0006260</u>	Single brake - 103-230V	USED 208V - 230V	1
2	<u>VT0004662</u>	Single brake - 190-400V	USED 380V - 480V	1
3	<u>VT0004641</u>	Fan set		1
4	<u>VT0004663</u>	Retaining ring		1
5	<u>VT0005088</u>	Screws set		1
6	<u>VT0004665</u>	Bearing		1
7	<u>VT0006261</u>	Single brake + Rectifier	103V	1
7	<u>VT0006186</u>	Single brake + Rectifier	190V	1

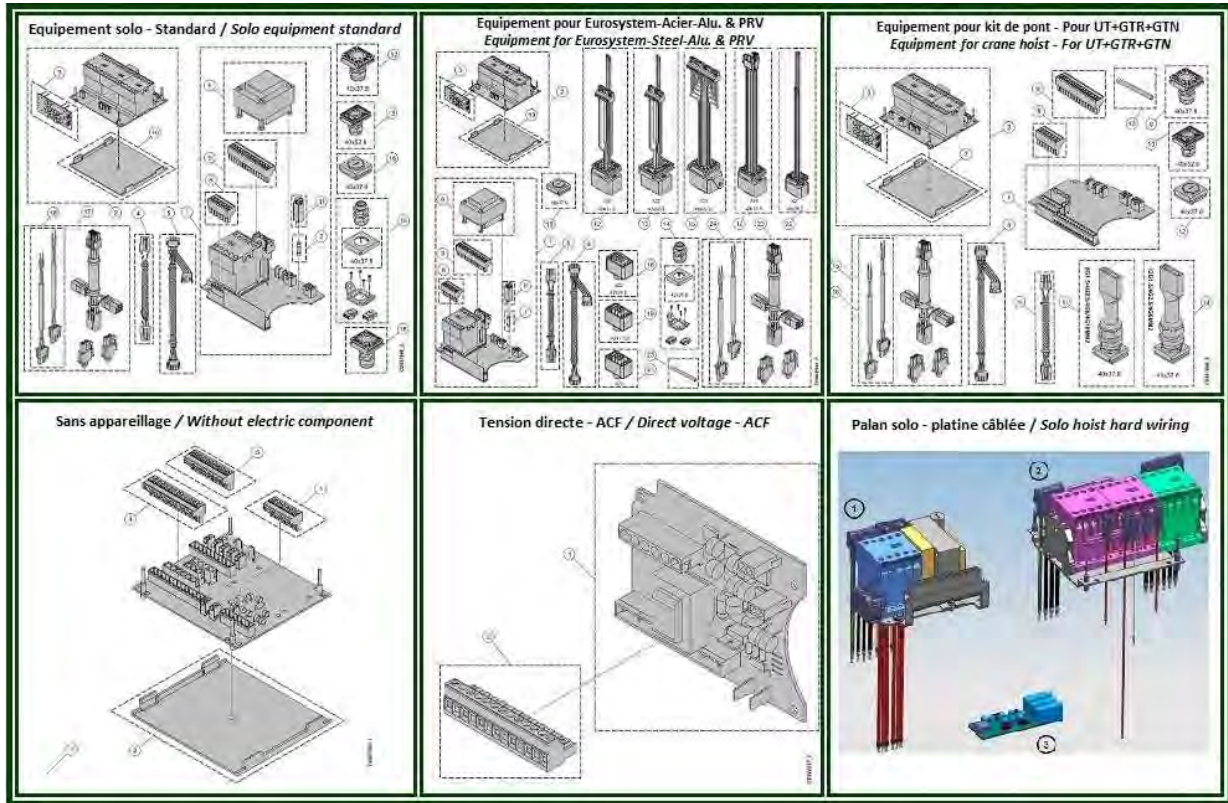
4.2. Double brakes



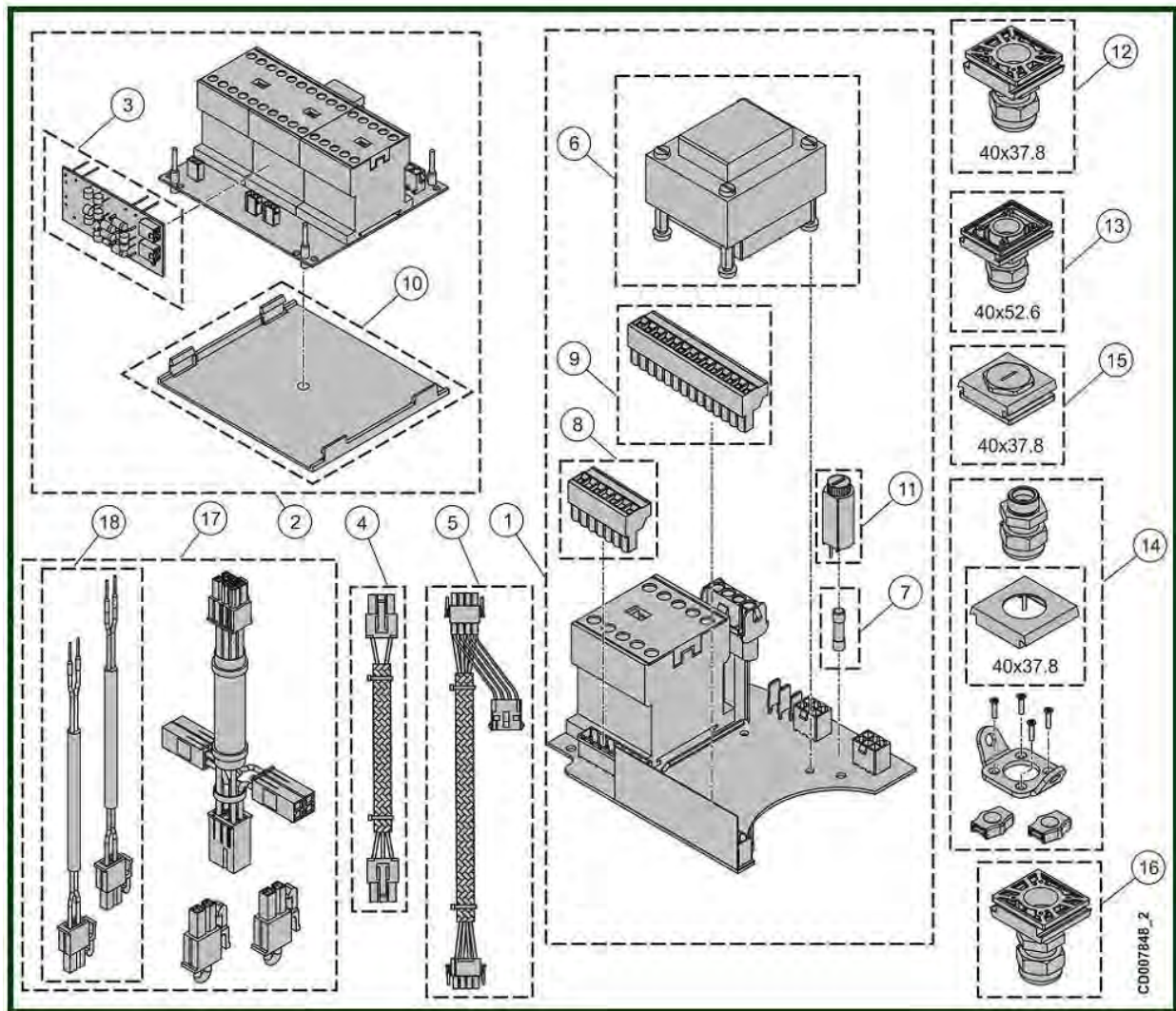
Double brakes

Item	Reference	Description	Commentaires	Quantity
1	<u>VT0004654</u>	Motor - 1 speed 380-415V - 50Hz 440-480V - 60Hz	1500 tours - 4 m / min	1
1	<u>VT0007718</u>	Motor - 2 speeds 208-230V 60Hz	2-4 m/min	1
1	<u>VT0004660</u>	Motor - 2 speeds 220-240V 50Hz	8-10-16-20m/min (3000/750tr/min)	1
1	<u>VT0007716</u>	Motor - 2 speeds 220-240V/50Hz	2-4 m/min	1
1	<u>VT0007719</u>	Motor - 2 speeds 380-400V 60Hz	2-4 m/min	1
1	<u>VT0007715</u>	Motor - 2 speeds 380-400V 60Hz	8-10-16-20m/min	1
1	<u>VT0004651</u>	Motor - 2 speeds 380-415V - 50Hz 440-480 - 60Hz	8 m / min 3000 tours -	1
1	<u>VT0006307</u>	Motor - 2 speeds 380-415V/50Hz 440-480V 60Hz	2-4 m/min (1500/750tr/min) (1800/900tr/min)	1
1	<u>VT0006755</u>	Motor - 2 speeds 500-525V 50Hz 575-600V 60Hz	8-10-16-20m/min	1
1	<u>VT0007717</u>	Motor - 2 speeds 500-525V/50Hz 575-600V/60Hz	2-4 m/min	1
2	<u>VT0006185</u>	Double brakes	103 V	1
2	<u>VT0006184</u>	Double brakes	190 V	1
2	<u>VT0006355</u>	Double brakes	240-500V	1
2	<u>VT0006356</u>	Double brakes	320-690V	1
3	<u>VT0004641</u>	Fan set		1
4	<u>VT0004663</u>	Retaining ring		1
5	<u>VT0005088</u>	Screws set		1
6	<u>VT0004665</u>	Bearing		1
7	<u>VT0006189</u>	Double brakes + Rectifier	103 V	1
7	<u>VT0006188</u>	Double brakes + Rectifier	190 V	1

5. ELECTRICAL PARTS



5.1. Solo Equipment– Standard

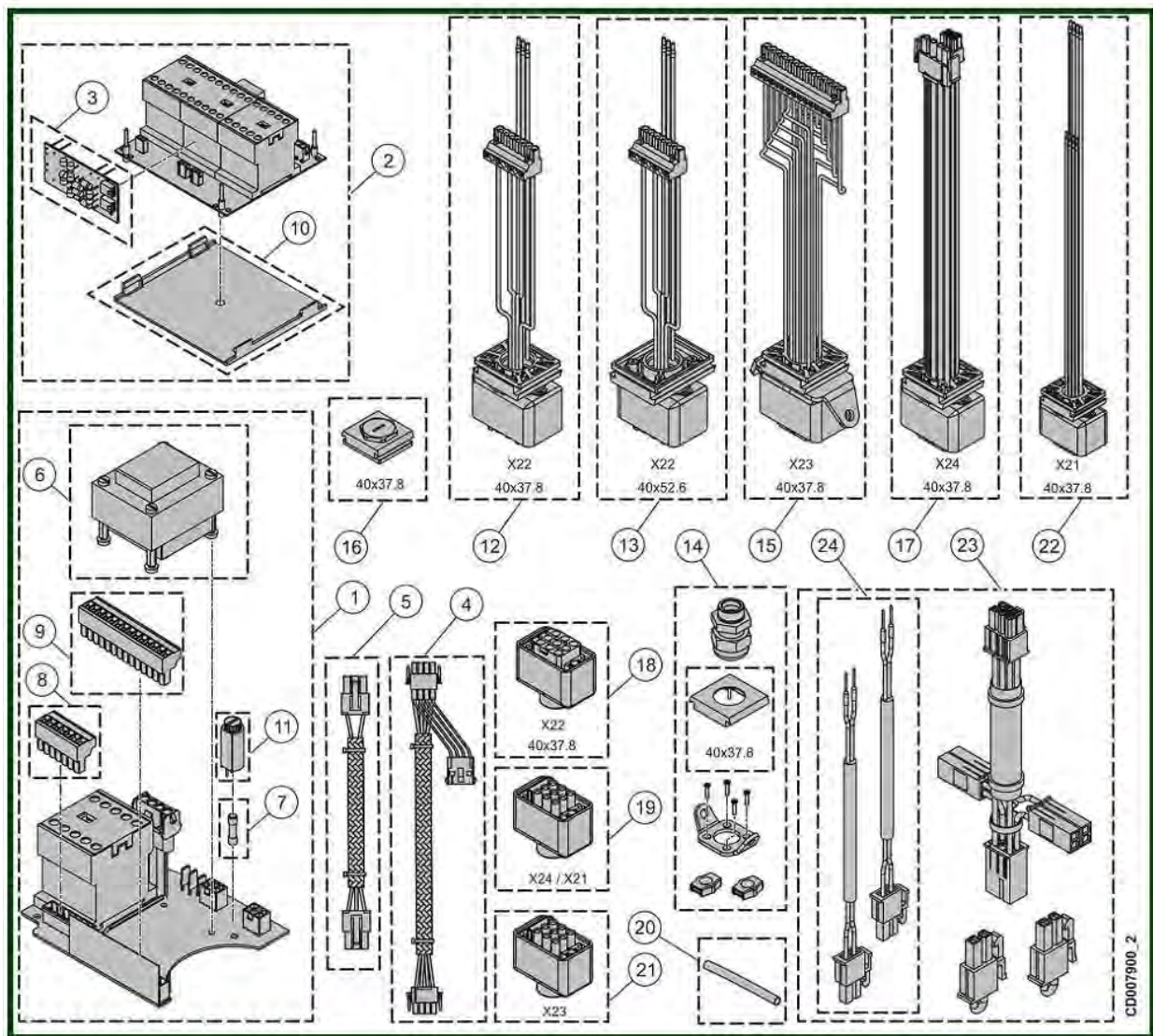


Solo Equipment– Standard

Item	Reference	Description	Observation	Quantity
1	<u>VT0006431</u>	Power supply PC board- Solo hoist	208V 230V / 110V CI/PC - Standard	1
1	<u>VT0006430</u>	Power supply PC board- Solo hoist	230V / 48V CI/PC - Standard	1
1	<u>VT0004944</u>	Power supply PC board- Solo hoist	400V / 24V CI/PC BOARD	1
1	<u>VT0004942</u>	Power supply PC board- Solo hoist	400V / 48V CI/PC BOARD	1
1	<u>VT0005312</u>	Power supply PC board- Solo hoist	400V / 110V CI/PC BOARD	1
1	<u>VT0005313</u>	Power supply PC board- Solo hoist	400V / 230V CI/PC BOARD	1
1	<u>VT0006432</u>	Power supply PC board- Solo hoist	460V / 48V CI/PC BOARD	1
1	<u>VT0006433</u>	Power supply PC board- Solo hoist	460V / 110V CI/PC BOARD	1
1	<u>VT0006434</u>	Power supply PC board- Solo hoist	500V / 48V CI/PC BOARD	1
1	<u>VT0006446</u>	Power supply PC board- Solo hoist	500V / 110V CI/PC BOARD	1
1	<u>VT0006435</u>	Power supply PC board- Solo hoist	575V / 48V CI/PC BOARD	1
1	<u>VT0006447</u>	Power supply PC board- Solo hoist	575V / 110V CI/PC BOARD	1
2	<u>VT0005302</u>	Electrical board 2 speeds - 1 brake	230V-690V / 24V / 50 60Hz	1
2	<u>VT0004945</u>	Electrical board 2 speeds - 1 brake	230V-690V / 48V / 50 60Hz	1
2	<u>VT0005303</u>	Electrical board 2 speeds - 1 brake	230V-690V / 110V / 50 60Hz	1
2	<u>VT0005304</u>	Electrical board 2 speeds - 1 brake	230V-690V/ 230V / 50 60Hz	1
2	<u>VT0005305</u>	Electrical board 2 speeds - 2 brakes	230V-690V / 24V /50 60Hz	1
2	<u>VT0005306</u>	Electrical board 2 speeds - 2 brakes	230V-690V / 48V / 50 60Hz	1
2	<u>VT0005307</u>	Electrical board 2 speeds - 2 brakes	230V-690V / 50-60Hz	1
2	<u>VT0005308</u>	Electrical board 2 speeds - 2 brakes	230V-690V/ 230V / 50 60Hz	1
3	<u>VT0004946</u>	Rectifier - 1 brake	230V-690V	1
3	<u>VT0004947</u>	Rectifier - 2 brakes	230V-690V	1
3	<u>VT0004948</u>	Reconnectable rectifier	208V-690V	1
4	<u>VT0004949</u>	Wire harness - Plug control voltage		1
5	<u>VT0004950</u>	Wire harness - Plug power voltage		1

6	<u>VT0006439</u>	Transformer	208V 230V / 115V	1
6	<u>VT0006325</u>	Transformer	230V / 48V	1
6	<u>VT0004952</u>	Transformer	400V / 24V	1
6	<u>VT0004953</u>	Transformer	400V / 48V - 50/60Hz	1
6	<u>VT0004951</u>	Transformer	400V / 115V - 50/60Hz	1
6	<u>VT0004954</u>	Transformer	400V / 230V	1
6	<u>VT0006437</u>	Transformer	460V / 48V	1
6	<u>VT0006440</u>	Transformer	460V / 110V 50/60Hz	1
6	<u>VT0006436</u>	Transformer	500V / 48V	1
6	<u>VT0006438</u>	Transformer	575V / 48V	1
6	<u>VT0008540</u>	Transformer	575V / 110V	1
7	<u>VT0004915</u>	Set of 10 fuses	48V	1
7	<u>VT0004955</u>	Set of 10 fuses	115V	1
7	<u>VT0008541</u>	Set of 10 fuses	230V	1
8	<u>VT0005107</u>	Connector	4P	1
9	<u>VT0005108</u>	Pendant connector	14P	1
10	<u>VT0006441</u>	Plaque de protection		1
11	<u>VT0006191</u>	Porte fusible		1
12	<u>VT0006393</u>	Cable gland set Square cable entry	CG M20- ISO 20 Trolley-Power supply	1
13	<u>VT0005089</u>	Cable gland set Rectangular entry	Power supply- Only VR2 ISO 20	1
14	<u>VT0005090</u>	Cable gland set Square cable entry	Push button controller From september 2014	1
15	<u>VT0006089</u>	Bouchon - Square cable entry		1
16	<u>VT0006326</u>	Cable gland set - Square cable entry	Flat cable 4G2.5	1
17	<u>VT0008551</u>	Kit de connection FDC	FDC MS +GLS	1
18	<u>VT0008550</u>	GLS cable	Quantity : 2 for 2 Cames ou 4 for 4 Cames	1
-	<u>VT0006967</u>	Time counter		1

5.2. Equipment for Eurosystem - Steel - Alu. & PRV



Equipment for Eurosystem - Steel - Alu. & PRV

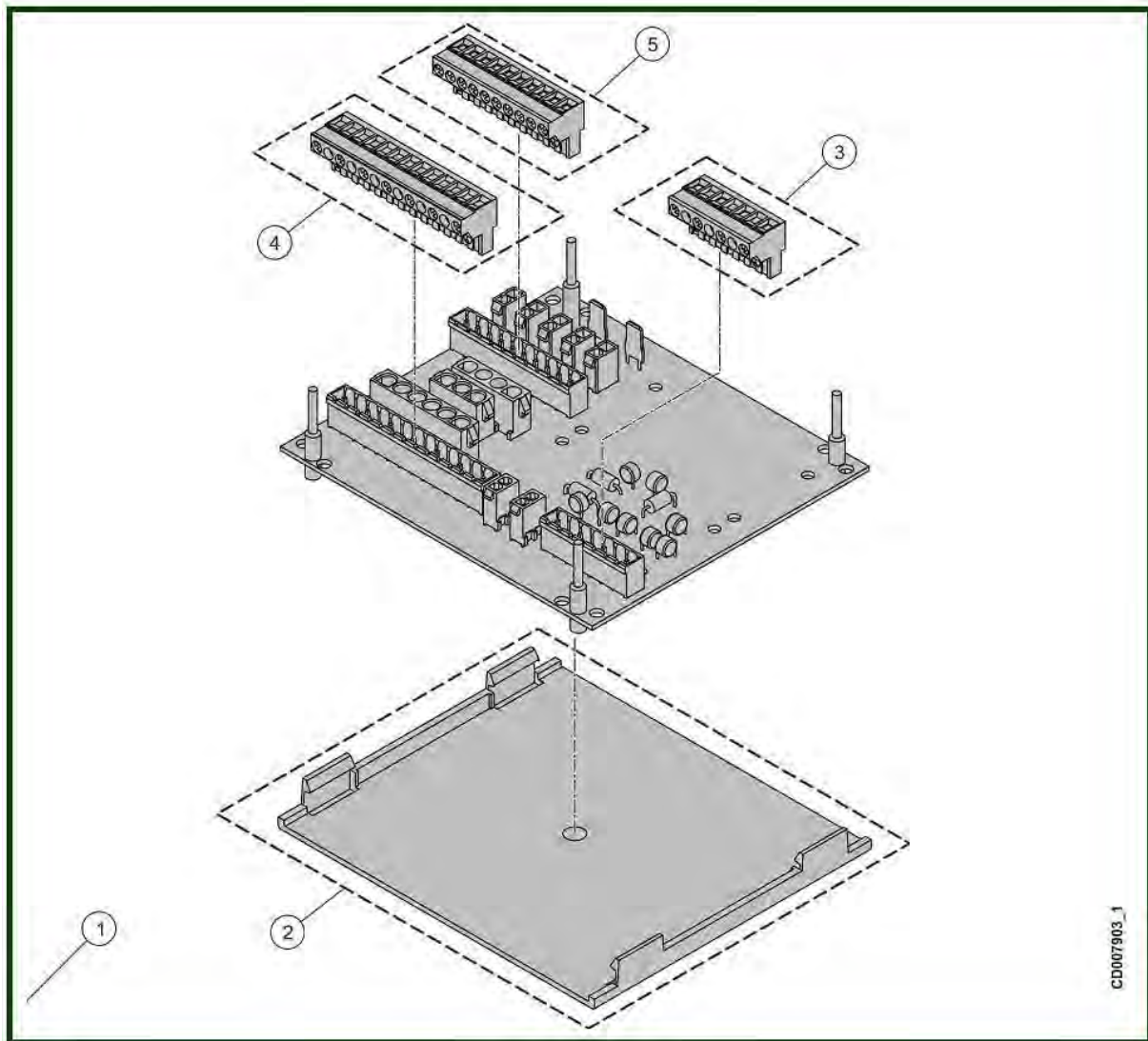
Item	Reference	Description	Observation	Quantity
1	<u>VT0006431</u>	Power supply PC board- Solo hoist	208V 230V / 110V CI/PC - Standard	1
1	<u>VT0006430</u>	Power supply PC board- Solo hoist	230V / 48V CI/PC - Standard	1
1	<u>VT0004944</u>	Power supply PC board- Solo hoist	400V / 24V CI/PC BOARD	1
1	<u>VT0004942</u>	Power supply PC board- Solo hoist	400V / 48V CI/PC BOARD	1
1	<u>VT0005312</u>	Power supply PC board- Solo hoist	400V / 110V CI/PC BOARD	1
1	<u>VT0005313</u>	Power supply PC board- Solo hoist	400V / 230V CI/PC BOARD	1
1	<u>VT0006432</u>	Power supply PC board- Solo hoist	460V / 48V CI/PC BOARD	1
1	<u>VT0006433</u>	Power supply PC board- Solo hoist	460V / 110V CI/PC BOARD	1
1	<u>VT0006434</u>	Power supply PC board- Solo hoist	500V / 48V CI/PC BOARD	1
1	<u>VT0006446</u>	Power supply PC board- Solo hoist	500V / 110V CI/PC BOARD	1
1	<u>VT0006435</u>	Power supply PC board- Solo hoist	575V / 48V CI/PC BOARD	1
1	<u>VT0006447</u>	Power supply PC board- Solo hoist	575V / 110V CI/PC BOARD	1
2	<u>VT0005302</u>	Electrical board 2 speeds - 1 brake	230V-690V / 24V / 50 60Hz	1
2	<u>VT0004945</u>	Electrical board 2 speeds - 1 brake	230V-690V / 48V / 50 60Hz	1
2	<u>VT0005303</u>	Electrical board 2 speeds - 1 brake	230V-690V / 110V / 50 60Hz	1
2	<u>VT0005304</u>	Electrical board 2 speeds - 1 brake	230V-690V/ 230V / 50 60Hz	1
2	<u>VT0005305</u>	Electrical board 2 speeds - 2 brakes	230V-690V / 24V /50 60Hz	1
2	<u>VT0005306</u>	Electrical board 2 speeds - 2 brakes	230V-690V / 48V / 50 60Hz	1
2	<u>VT0005307</u>	Electrical board 2 speeds - 2 brakes	230V-690V / 50-60Hz	1
2	<u>VT0005308</u>	Electrical board 2 speeds - 2 brakes	230V-690V/ 230V / 50 60Hz	1
3	<u>VT0004946</u>	Rectifier - 1 brake	230V-690V	1
3	<u>VT0004947</u>	Rectifier - 2 brakes	230V-690V	1
4	<u>VT0004949</u>	Wire harness - Plug control voltage		1
5	<u>VT0004950</u>	Wire harness - Plug power voltage		1

6	<u>VT0006439</u>	Transformer	208V 230V / 115V	1
6	<u>VT0006325</u>	Transformer	230V / 48V	1
6	<u>VT0004952</u>	Transformer	400V / 24V	1
6	<u>VT0004953</u>	Transformer	400V / 48V - 50/60Hz	1
6	<u>VT0004951</u>	Transformer	400V / 115V - 50/60Hz	1
6	<u>VT0004954</u>	Transformer	400V / 230V	1
6	<u>VT0006437</u>	Transformer	460V / 48V	1
6	<u>VT0006440</u>	Transformer	460V / 110V 50/60Hz	1
6	<u>VT0006436</u>	Transformer	500V / 48V	1
6	<u>VT0006438</u>	Transformer	575V / 48V	1
6	<u>VT0008540</u>	Transformer	575V / 110V	1
7	<u>VT0004915</u>	Set of 10 fuses	48V	1
7	<u>VT0004955</u>	Set of 10 fuses	115V	1
7	<u>VT0008541</u>	Set of 10 fuses	230V	1
8	<u>VT0005107</u>	Connector	4P	1
9	<u>VT0005108</u>	Pendant connector	14P	1
10	<u>VT0006441</u>	Plaque de protection		1
11	<u>VT0006191</u>	Fuses base		1
12	<u>VT0007798</u>	Power supply connector Set square	X22 Hoist side	1
13	<u>VT0007574</u>	Power supply connector Set rectangular	X22 Hoist side Only VR2	1
14	<u>VT0005090</u>	Cable gland set Square cable entry	Push button controller	1
15	<u>VT0007224</u>	Push button connector	X23 Hoist side Movable push button only	1
16	<u>VT0006089</u>	End cap - Square cable entry		1
17	<u>VT0006971</u>	Connector set - Trolley	X24 Hoist side	1
18	<u>VT0007804</u>	Connector set - Alimentation	X22 Side flat cable	1
19	<u>VT0007805</u>	Connector set - Trolley	X24 Side flat cable	1
20	<u>VT0007781</u>	Head shrinkable tube		1
21	<u>VT0007806</u>	Push button connector set	X23 Side push button Movable push button only	1
22	<u>VT0008135</u>	Crane cubicle connector set	X21 Hoist side	1
23	<u>VT0008551</u>	Set of connection GLS	FDC MS +GLS	1
24	<u>VT0008550</u>	GLS cable	Quantity 2 for 2 Cames or 4 for 4 Cames	1
-	<u>VT0006967</u>	Time counter		1

Equipment for crane kit - For UT+GTR+GTN

Item	Reference	Description	Observation	Quantity
1	<u>VT0004943</u>	Electrical power crane	230V-690V CI/PC BOARD	1
2	<u>VT0005302</u>	Electrical board 2 speeds - 1 brake	230V-690V / 24V / 50 60Hz	1
2	<u>VT0004945</u>	Electrical board 2 speeds - 1 brake	230V-690V / 48V / 50 60Hz	1
2	<u>VT0005303</u>	Electrical board 2 speeds - 1 brake	230V-690V / 110V / 50 60Hz	1
2	<u>VT0005304</u>	Electrical board 2 speeds - 1 brake	230V-690V/ 230V / 50 60Hz	1
2	<u>VT0005305</u>	Electrical board 2 speeds - 2 brakes	230V-690V / 24V /50 60Hz	1
2	<u>VT0005306</u>	Electrical board 2 speeds - 2 brakes	230V-690V / 48V / 50 60Hz	1
2	<u>VT0005307</u>	Electrical board 2 speeds - 2 brakes	230V-690V / 50-60Hz	1
2	<u>VT0005308</u>	Electrical board 2 speeds - 2 brakes	230V-690V/ 230V / 50 60Hz	1
3	<u>VT0004946</u>	Rectifier - 1 brake	230V-690V	1
3	<u>VT0004947</u>	Rectifier - 2 brakes	230V-690V	1
4	<u>VT0004949</u>	Wire harness - Plug control voltage		1
5	<u>VT0004950</u>	Wire harness - Plug power voltage		1
6	<u>VT0006393</u>	Cable gland set Square cable entry	CG M20- ISO 20 Trolley-Alimentation	1
7	<u>VT0006441</u>	Insulation plate		1
8	<u>VT0005107</u>	Connector	4P	1
9	<u>VT0005108</u>	Pendant connector	14P	1
10	<u>VT0007782</u>	Cable gland set Square rectangular entry	4G2.5MM2 Flat cable - Only VR2	1
11	<u>VT0007780</u>	Cable gland set Square cable entry	8G1.5/4G2.5/4G6/4G10mm2	1
12	<u>VT0006089</u>	End cap Square cable entry		1
13	<u>VT0007781</u>	Head shrinkable tube		1
14	<u>VT0006454</u>	Cable gland set flat cable Square cable entry	12G1.5/4G2.5/4G6mm2 - ISO 25	1
15	<u>VT0008551</u>	Set of connection GLS	FDC MS +GLS	1
16	<u>VT0008550</u>	GLS cable	Quantity 2 for 2 Cames ou 4 for 4 Cames	1
-	<u>VT0006967</u>	Time counter		1

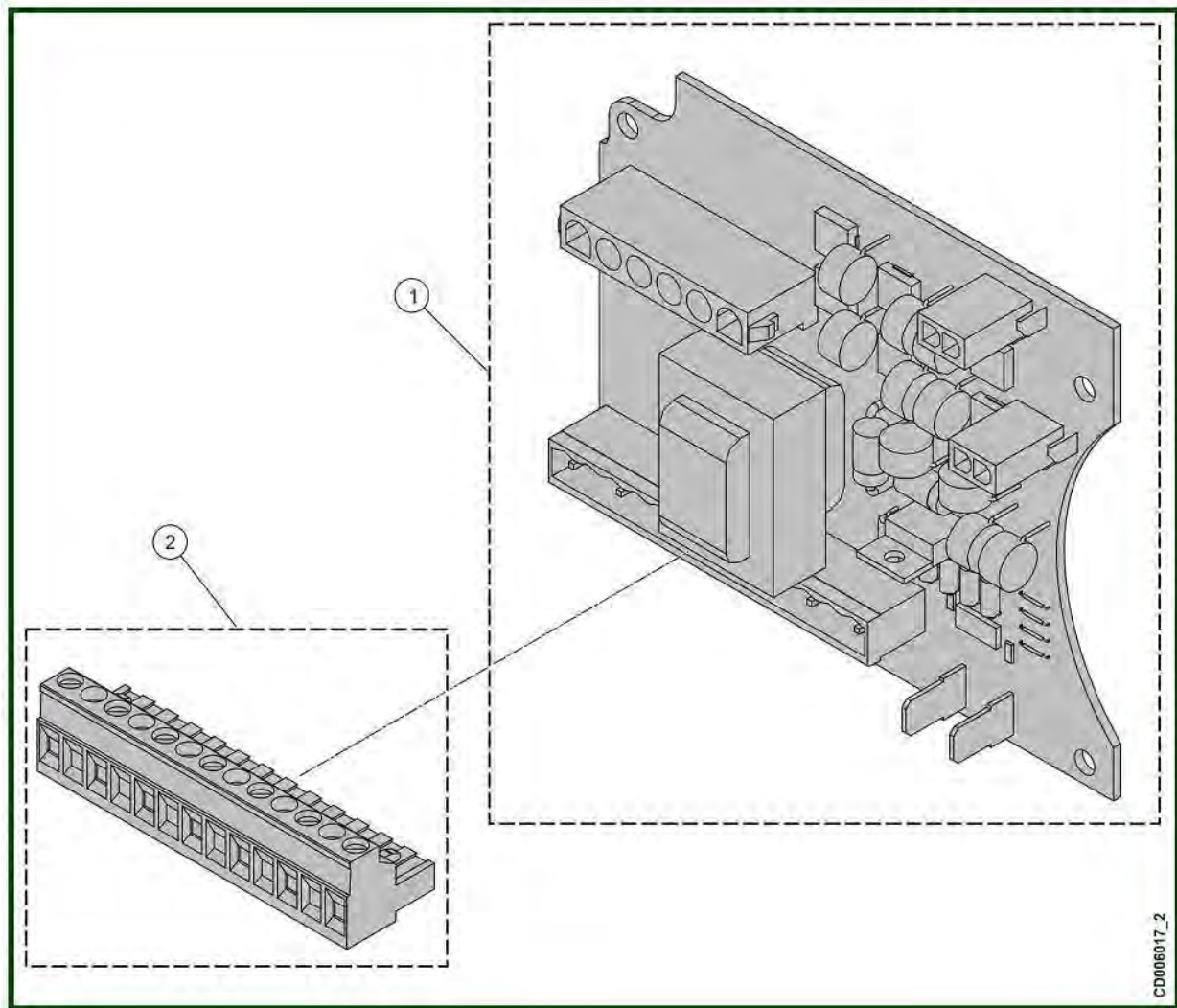
5.4. Without electric component



CD007903_1

Item	Reference	Description	Observation	Quantity
1	VT0007656	Electrical board	Without arrangement + Rectifier	1
2	VT0006441	Insulation plate		1
3	VT0005107	Connector	4P	1
4	VT0006429	Wire harness Plug power voltage	7P	1
5	VT0009330	Control connector	10P	1

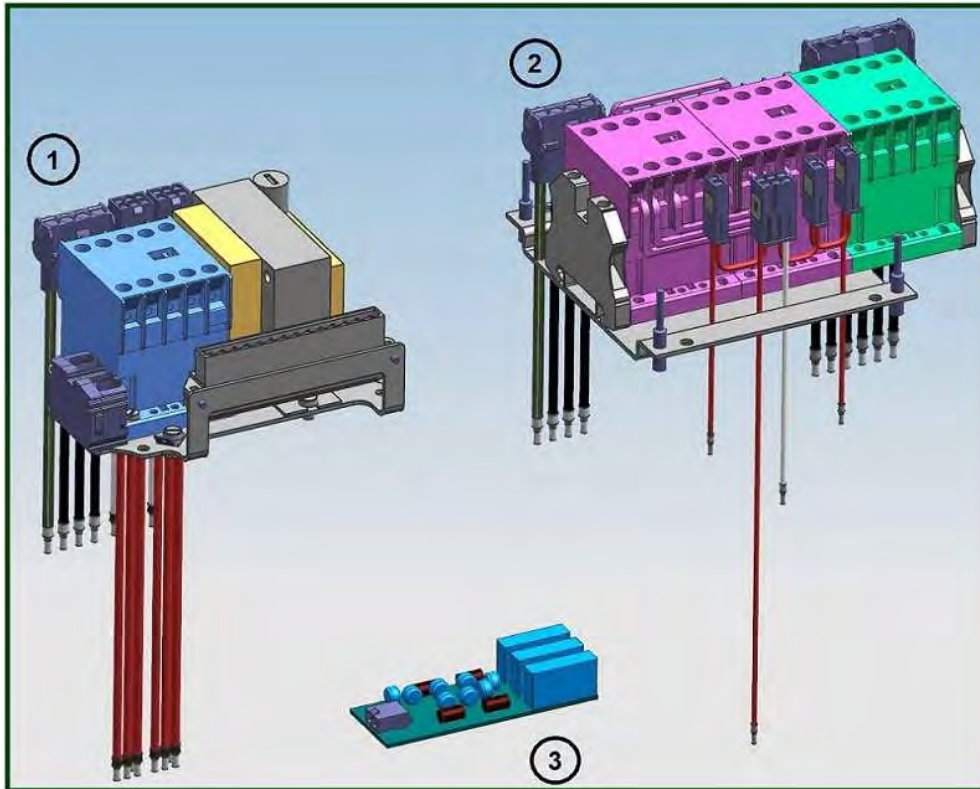
5.5. Direct voltage – ACF



Item	Reference	Description	Observation	Quantity
1	VT0006428	ACF card - 2 speeds		1
2	VT0006429	Wire harness Plug power voltage	7P	1

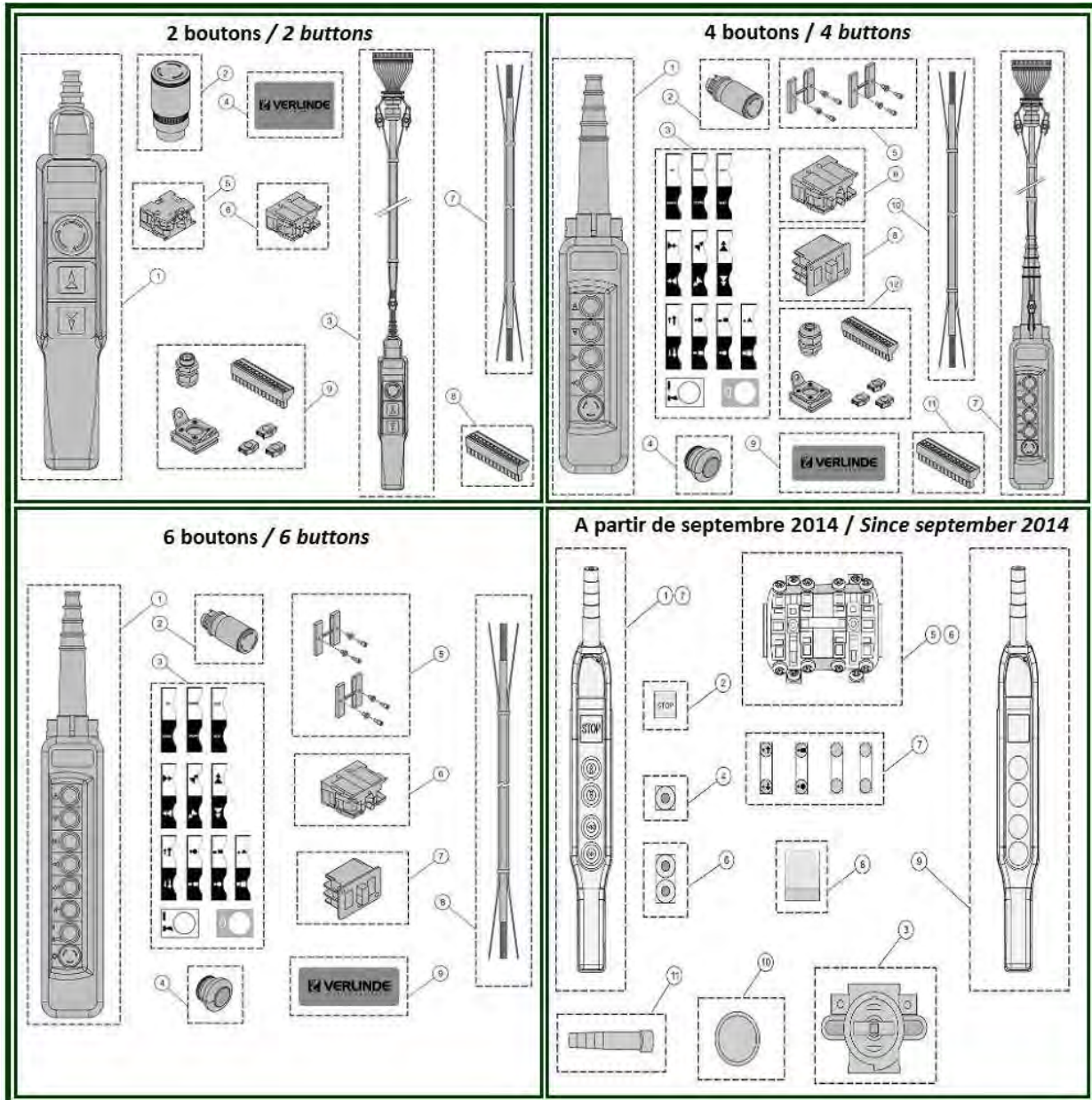
5.6. Solo hoist – Harding wiring

Option

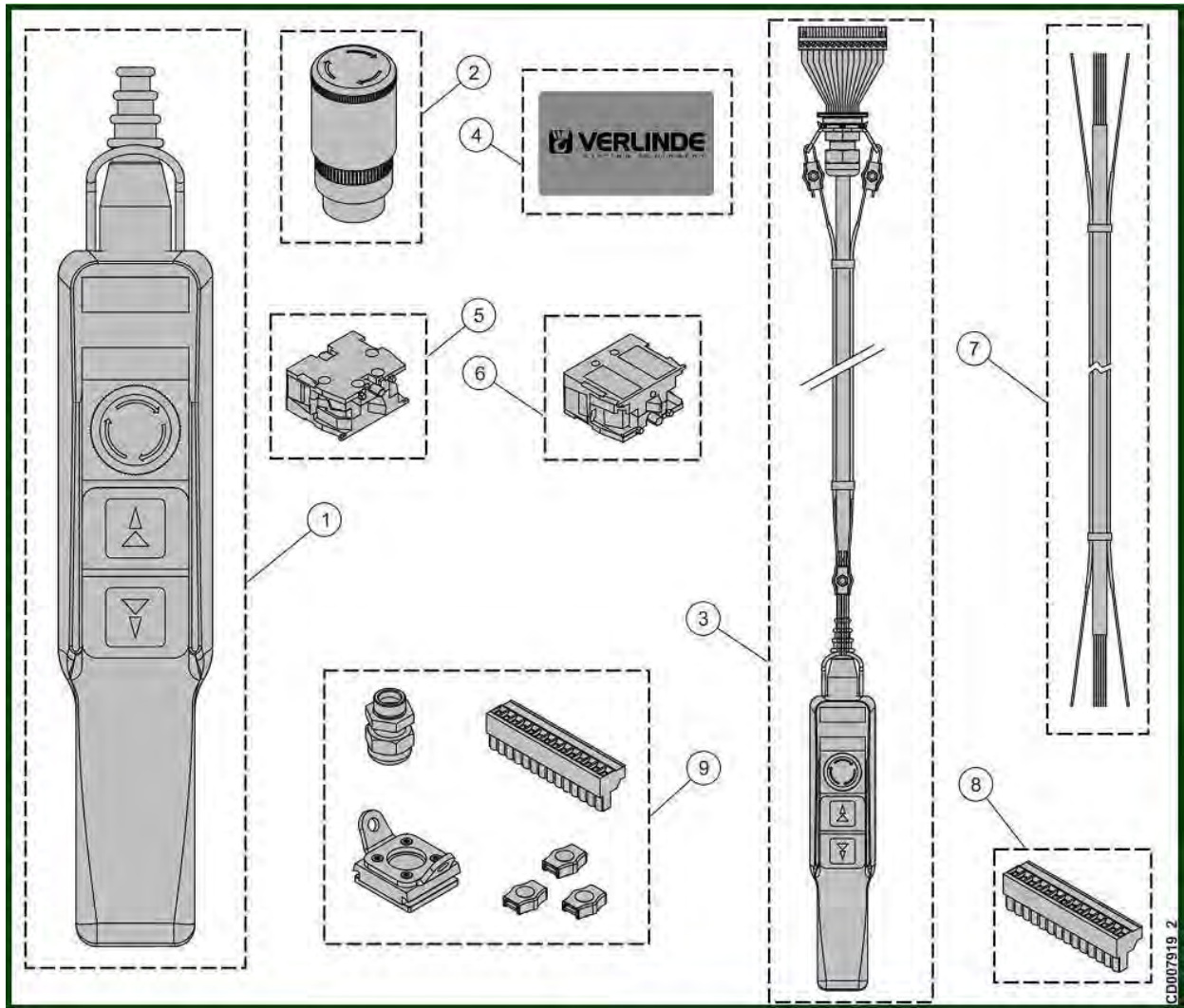


Item	Reference	Description	Observation	Quantity
1	VT0007058	Power supply- Solo hoist	400V-48V Hard wiring - Option	1
1	VT0007084	Power supply- Solo hoist	400V-110V Hard wiring - Option	1
1	VT0007086	Power supply- Solo hoist	460V-48V Hard wiring - Option	1
1	VT0007087	Power supply- Solo hoist	460V-110V Hard wiring - Option	1
2	VT0007057	Electrical board 2 speeds - 1 brake	208V-575V /48V Hard wiring - Option	1
2	VT0007089	Electrical board 2 speeds - 1 brake	208V-575V /110V-115V Hard wiring - Option	1
3	VT0008823	Rectifier	208V-575V	1

6. PUSH BUTTON CONTROLLER



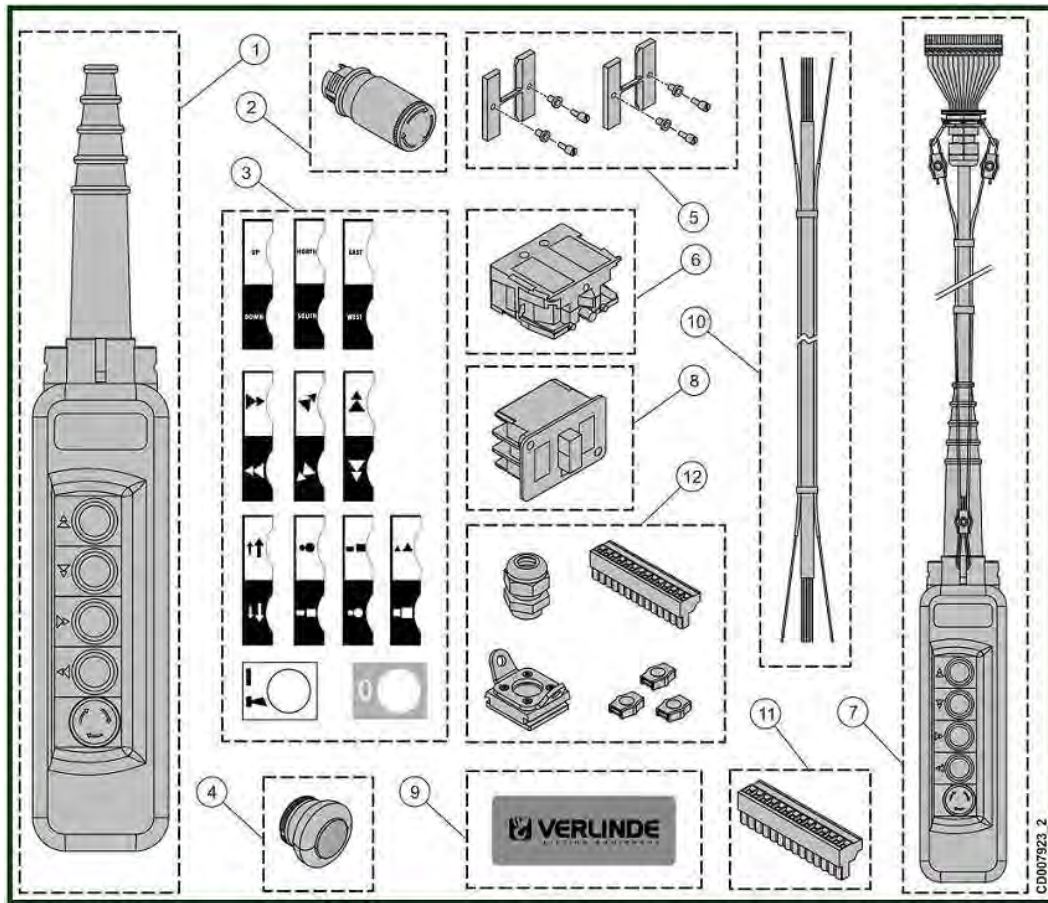
6.1. 2 buttons



2 buttons

Item	Reference	Description	Observation	Quantity
1	<u>VT0005061</u>	Push button controller 2HS+ES	Yellow	1
2	<u>VT0006547</u>	Emergency push button		1
3	<u>VT0005612</u>	Pendant with cable 2HS+ES	2,2 m - Yellow - CE	1
3	<u>VT0005613</u>	Pendant with cable 2HS+ES	2,7 m - Yellow - CE	1
3	<u>VT0005614</u>	Pendant with cable 2HS+ES	3,2 m - Yellow - CE	1
3	<u>VT0005615</u>	Pendant with cable 2HS+ES	3,7 m - Yellow - CE	1
3	<u>VT0005616</u>	Pendant with cable 2HS+ES	4,2 m - Yellow - CE	1
3	<u>VT0005617</u>	Pendant with cable 2HS+ES	4,7 m - Yellow - CE	1
3	<u>VT0005618</u>	Pendant with cable 2HS+ES	5,2 m - Yellow - CE	1
3	<u>VT0005619</u>	Pendant with cable 2HS+ES	5,7 m - Yellow - CE	1
4	<u>VT0007837</u>	Branding sticker	VERLINDE	1
5	<u>VT0005064</u>	Contact block	ZB2-BE101	1
6	<u>VT0005066</u>	Contact block	ZB2-BE 102	1
7	<u>VT0006746</u>	Cable	5x1,5 mm ² - CE	1
8	<u>VT0005108</u>	Pendant connector	14P	1
9	<u>VT0007583</u>	Pendant plug set	ISO	1

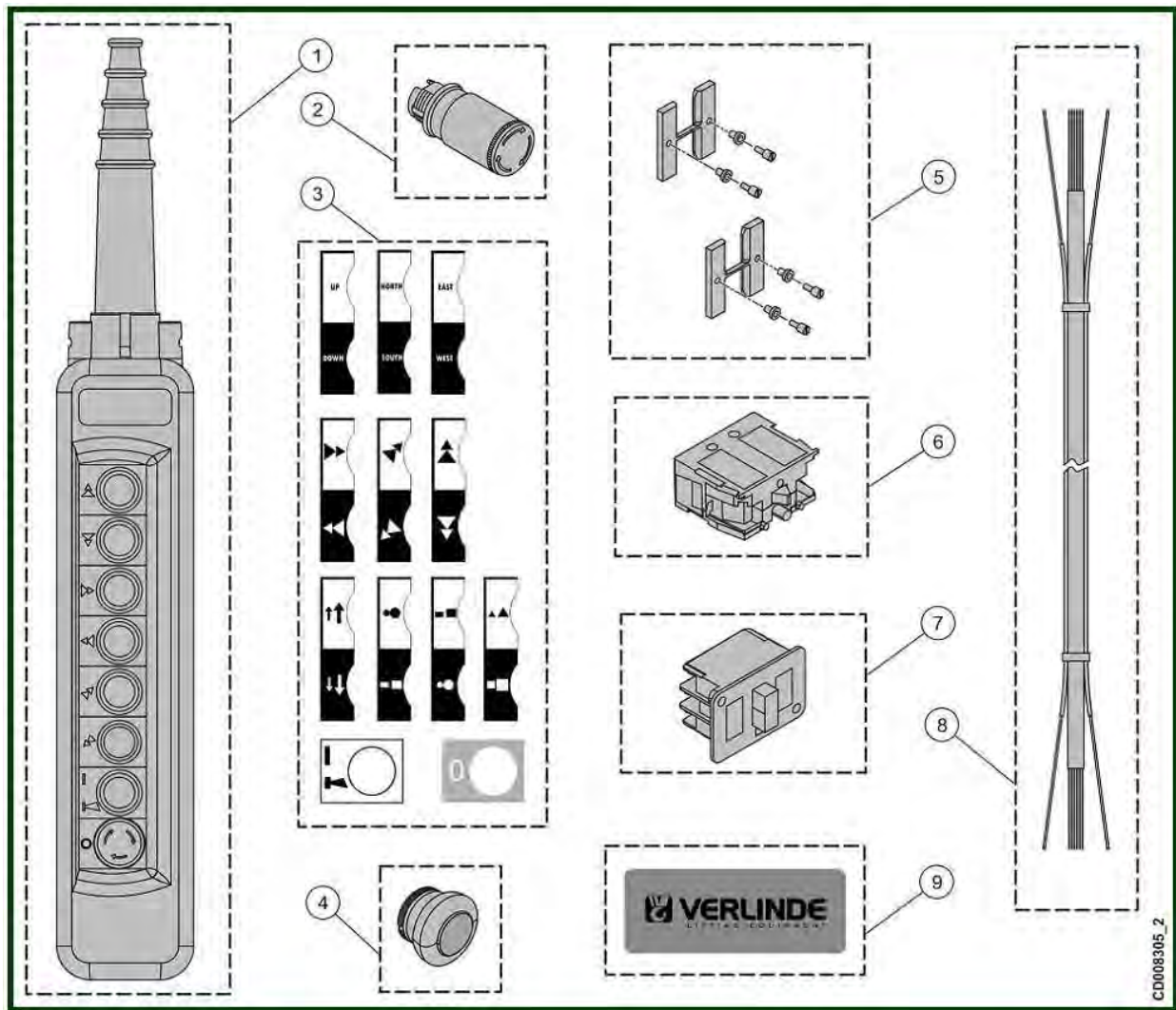
6.2. 4 buttons



4 buttons

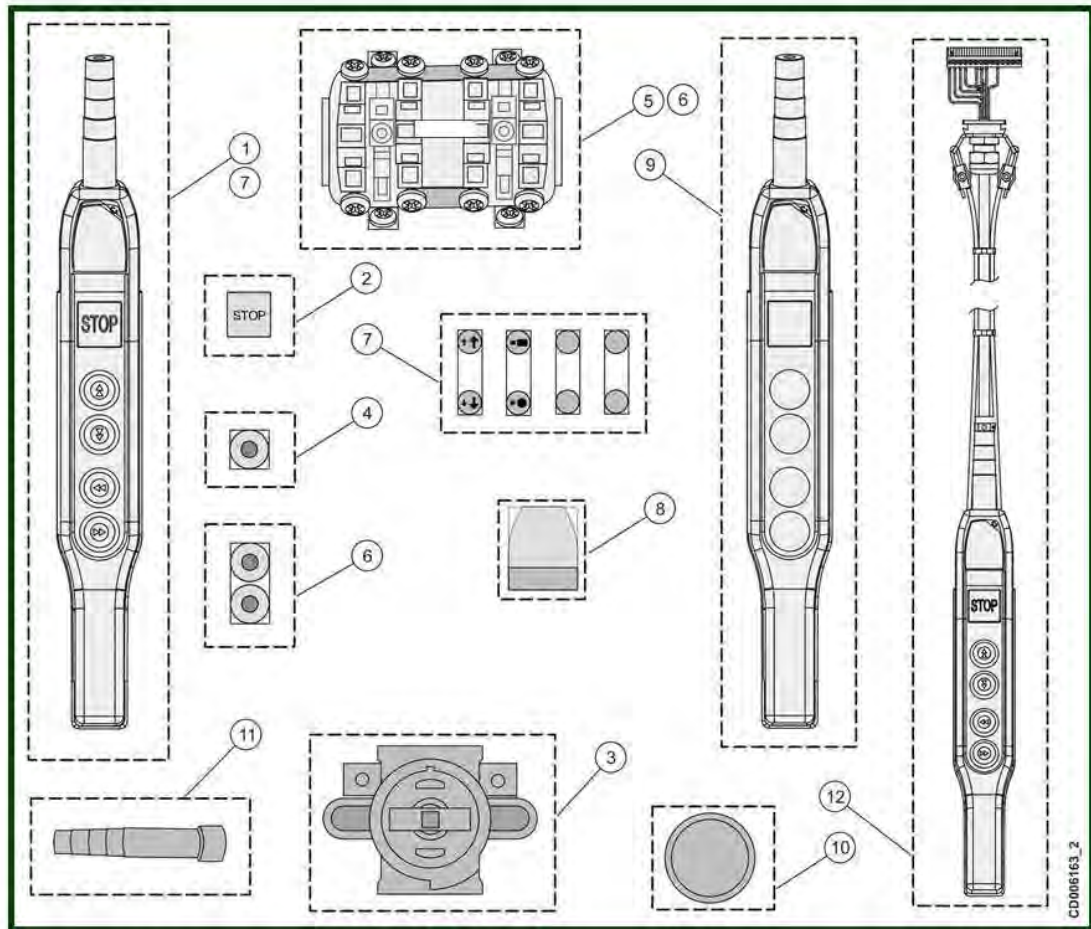
Item	Reference	Description	Observation	Quantity
1	<u>VT0005055</u>	Pendant controller 2HS+2TS+ES	Yellow	1
2	<u>VT0006548</u>	Emergency push button		1
3	<u>VT0007882</u>	Set of direction symbols		1
4	<u>VT0005063</u>	Push button		1
5	<u>VT0005072</u>	Mechanical interlock		2
6	<u>VT0005066</u>	Contact block	ZB2-BE 102	1
7	<u>VT0006059</u>	Pendant with cable 2HS+2TS+ES	4,2 m - Yellow	1
7	<u>VT0006060</u>	Pendant with cable 2HS+2TS+ES	4,7 m - Yellow	1
7	<u>VT0006061</u>	Pendant with cable 2HS+2TS+ES	5,2 m - Yellow	1
7	<u>VT0006062</u>	Pendant with cable 2HS+2TS+ES	5,7 m - Yellow	1
7	<u>VT0006055</u>	Pendant with cable 2HS+2TS+ES	2,2 m - Yellow	1
7	<u>VT0006056</u>	Pendant with cable 2HS+2TS+ES	2,7 m - Yellow	1
7	<u>VT0006057</u>	Pendant with cable 2HS+2TS+ES	3,2 m - Yellow	1
7	<u>VT0006058</u>	Pendant with cable 2HS+2TS+ES	3,7 m - Yellow	1
8	<u>VT0007879</u>	Block contact	XENG1191	1
9	<u>VT0007880</u>	Sticker of brand	VERLINDE	1
10	<u>VT0006747</u>	Cable - 8x1,5mm ²	meter	1
11	<u>VT0005108</u>	Pendant connector	14P	1
12	<u>VT0007583</u>	Pendant plug set	ISO	1

6.3. 6 buttons



Item	Reference	Description	Observation	Quantity
1	<u>VT0005058</u>	Pendant controller 2HS+2TS+2LS+On/Off	Yellow	1
2	<u>VT0006548</u>	Emergency push button		1
3	<u>VT0007882</u>	Set of direction symbols		1
4	<u>VT0005063</u>	Push button		1
5	<u>VT0005072</u>	Mechanical interlock		2
6	<u>VT0005066</u>	Block contact	ZB2-BE 102	1
7	<u>VT0007879</u>	Block contact	XENG1191	1
8	<u>VT0008073</u>	Cable	16x1.52mm ² - meter	1
8	<u>VT0008074</u>	Cable	20x1.5mm ² - meter	1
9	<u>VT0007880</u>	Sticker of brand	VERLINDE	1
-	<u>VT0005108</u>	Pendant connector	14P	1

6.4. Push button controller - From september 2014



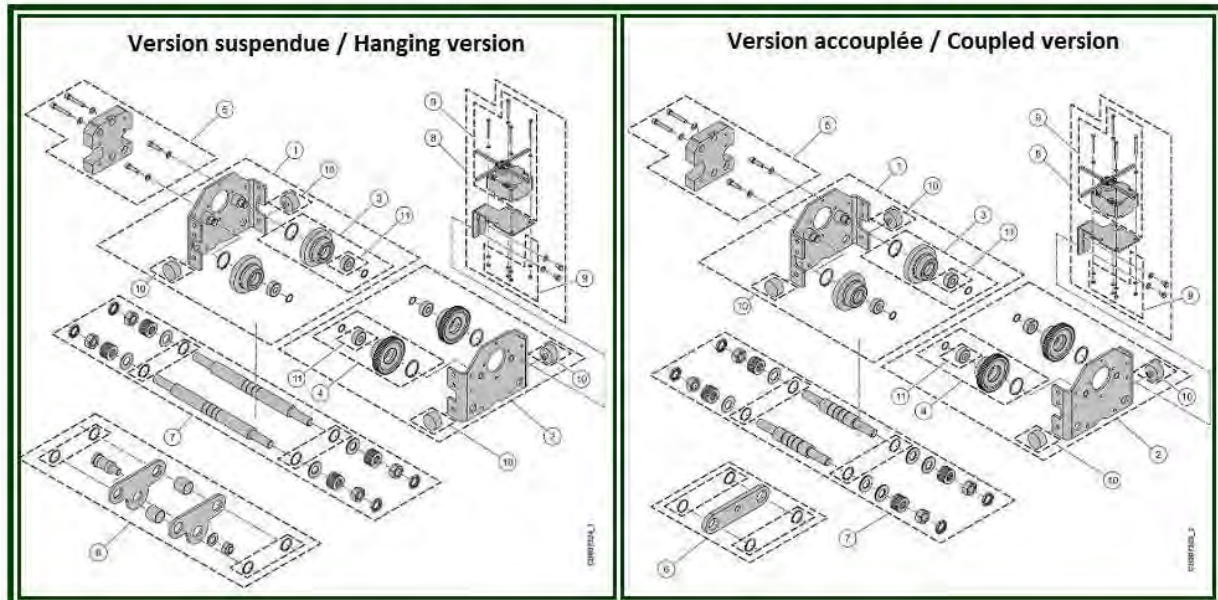
Push button controller - From september 2014

Item	Reference	Description	Observation	Quantity
1	<u>VT0006495</u>	Push button controller 2 HS+2TS+ES	Yellow - 4 buttons	1
1	<u>VT0006493</u>	Push button controller 2 HS+ES	Yellow - 2 buttons	1
2	<u>VT0006509</u>	Emergency push button		1
3	<u>VT0006510</u>	Emergency stop contact block		1
4	<u>VT0006511</u>	Rubber push button		1
5	<u>VT0006513</u>	Contact block	2 speeds	1
6	<u>VT0006514</u>	Set of 2 push buttons + contact block		1
7	<u>VT0006754</u>	Stickers - Direction symbols	ANSI	1
7	<u>VT0006752</u>	Stickers - Direction symbols	DIN	1
7	<u>VT0006753</u>	Stickers - Direction symbols	FIN-SEN	1
8	<u>VT0006496</u>	Stickers - Brand	VERLINDE	1
9	<u>VT0006515</u>	Pendant housing	Yellow - 2 buttons	1
9	<u>VT0006518</u>	Pendant housing	Yellow - 4 buttons	1
10	<u>VT0006517</u>	Magnet		1
10	<u>VT0006516</u>	Rubber part		1
11	<u>VT0007032</u>	Cable bushing		1
12	<u>VT0006958</u>	Push buttons box + cable + plug 2 HS+ES	2,20 m - Yellow - DIN	1
12	<u>VT0006951</u>	Push buttons box + cable + plug 2 HS+ES	2,70 m - Yellow - DIN	1
12	<u>VT0006952</u>	Push buttons box + cable + plug 2 HS+ES	3,20 m - Yellow - DIN	1
12	<u>VT0006953</u>	Push buttons box + cable + plug 2 HS+ES	3,70 m - Yellow - DIN	1
12	<u>VT0006954</u>	Push buttons box + cable + plug 2 HS+ES	4,20 m - Yellow - DIN	1
12	<u>VT0006955</u>	Push buttons box + cable + plug 2 HS+ES	4,70 m - Yellow - DIN	1
12	<u>VT0006956</u>	Push buttons box + cable + plug 2 HS+ES	5,20 m - Yellow - DIN	1
12	<u>VT0006957</u>	Push buttons box + cable + plug 2 HS+ES	5,70 m - Yellow- DIN	1

Item	Reference	Description	Observation	Quantity
13	<u>VT0006959</u>	Push buttons box + cable + plug 2 HS+2 TS+ES	2,20 m - Yellow- DIN	1
13	<u>VT0006966</u>	Push buttons box + cable + plug 2 HS+2 TS+ES	2,70 m - Yellow- DIN	1
13	<u>VT0006960</u>	Push buttons box + cable + plug 2 HS+2 TS+ES	3,20 m - Yellow- DIN	1
13	<u>VT0006961</u>	Push buttons box + cable + plug 2 HS+2 TS+ES	3,70 m - Yellow- DIN	1
13	<u>VT0006962</u>	Push buttons box + cable + plug 2 HS+2 TS+ES	4,20 m - Yellow- DIN	1
13	<u>VT0006963</u>	Push buttons box + cable + plug 2 HS+2 TS+ES	4,70 m - Yellow- DIN	1
13	<u>VT0006964</u>	Push buttons box + cable + plug 2 HS+2 TS+ES	5,20 m - Yellow- DIN	1
13	<u>VT0006965</u>	Push buttons box + cable + plug 2 HS+2 TS+ES	5,70 m - Yellow- DIN	1

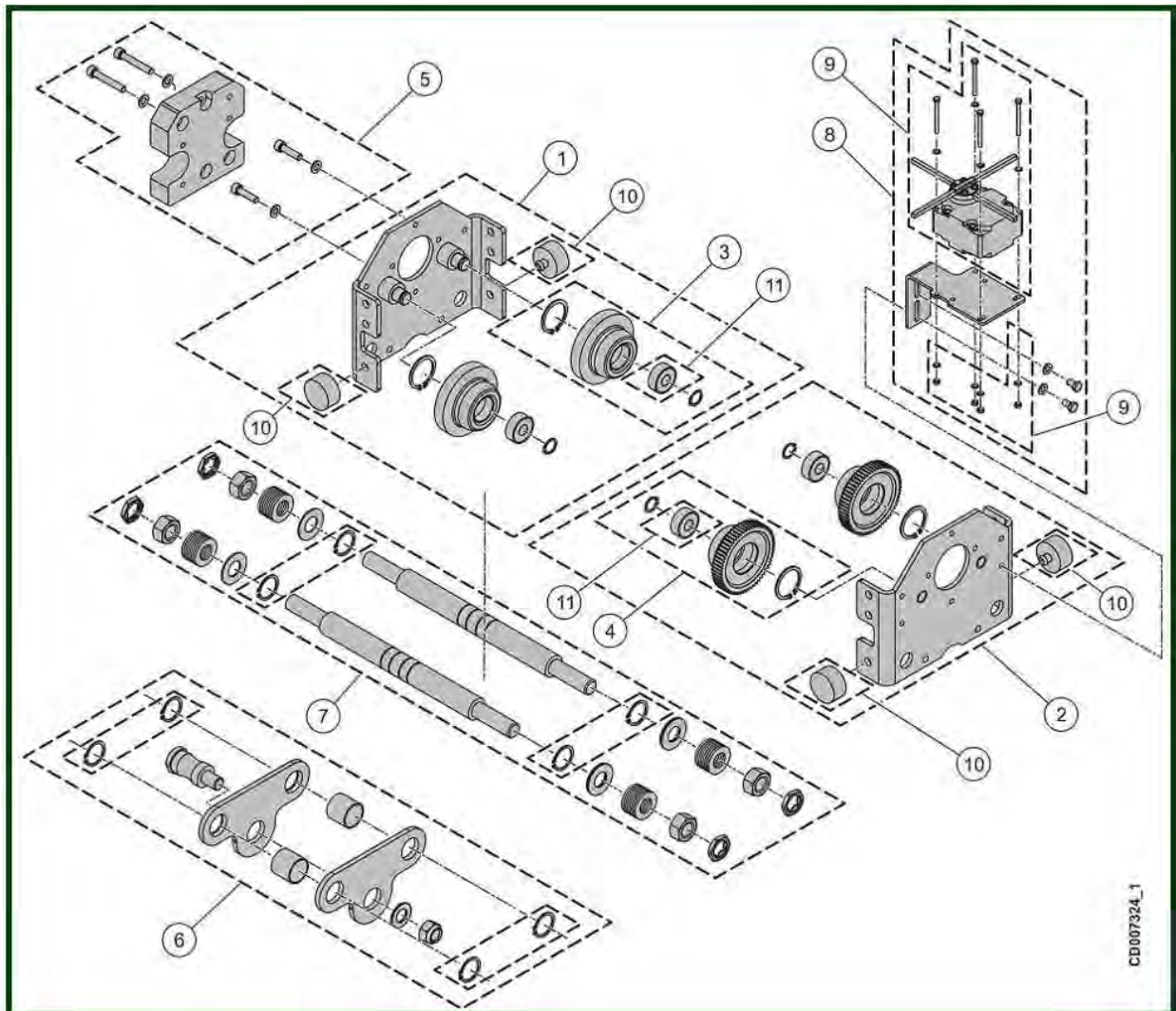
7. TROLLEY – NORMAL HEADROOM TROLLEY

HPN



7.1. C1 Trolley - 0 to 1000 kg – Hanging version

NHT



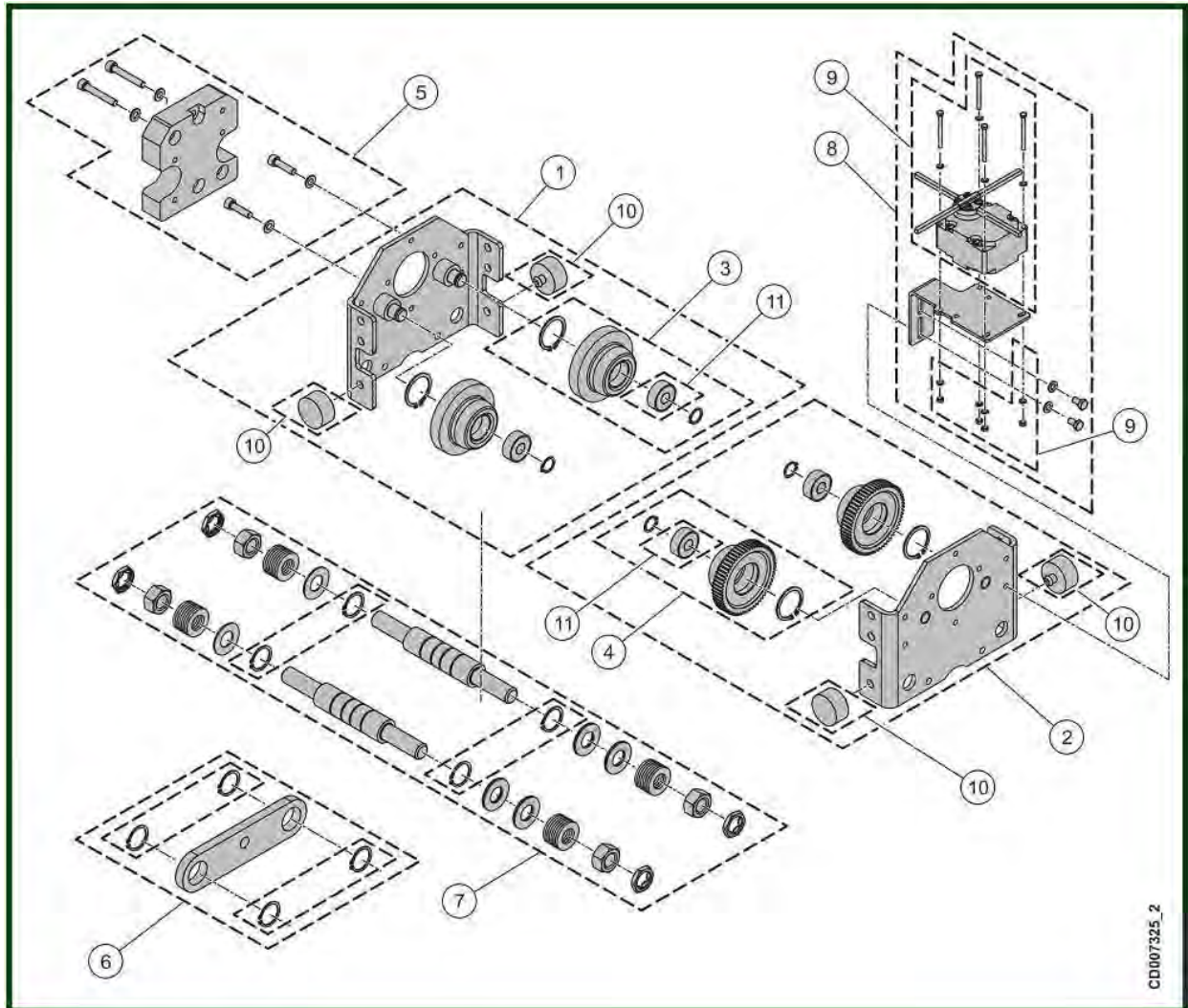
C1 Trolley - 0 to 1000 kg – Hanging version

NHT

Item	Reference	Description	Observation	Quantity
1	<u>VT0007051</u>	Idler side plate assembly		1
2	<u>VT0007066</u>	Drive side plate assembly		1
3	<u>VT0007061</u>	Complete set of travel wheel without shaft		1
4	<u>VT0007063</u>	Set driving wheel without shaft	∅ 62 - 93 mm	1
5	<u>VT0007062</u>	Set of counter weight		1
6	<u>VT0007064</u>	Coupling part	Hanging version	1
7	<u>VT0007026</u>	Tie rod set beam - 55 to 100 mm	Monobloc tie rod since 1999 Hook and coupling suspension	1
7	<u>VT0007027</u>	Tie rod set beam - 106 to 150 mm	Monobloc tie rod since 1999 Hook and coupling suspension	1
7	<u>VT0007028</u>	Tie rod set beam - 155 to 200 mm	Monobloc tie rod since 1999 Hook and coupling suspension	1
7	<u>VT0007029</u>	Tie rod set beam - 206 to 248 mm	Monobloc tie rod since 1999 Hook and coupling suspension	1
7	<u>VT0007030</u>	Tie rod set beam - 260 to 307 mm	Monobloc tie rod since 1999 Hook and coupling suspension	1
7	<u>VT0007031</u>	Tie rod set beam - 308 to 310 mm	Monobloc tie rod since 1999 Hook and coupling suspension	1
8	<u>VT0007098</u>	Limit switch - 1 step		1
8	<u>VT0008775</u>	Limit switch - 2 steps		1
9	<u>VT0008776</u>	Travelling limit switch assembly 1 step		1
9	<u>VT0008777</u>	Travelling limit switch assembly 2 steps		1
10	<u>VT0009357</u>	Buffer	D40x20 – From C1 Trolley to C5	1
11	<u>VT0007091</u>	Ball Bearing		1

7.2. C1 Trolley – 0 to 1000 Kg – Coupled version

NHT

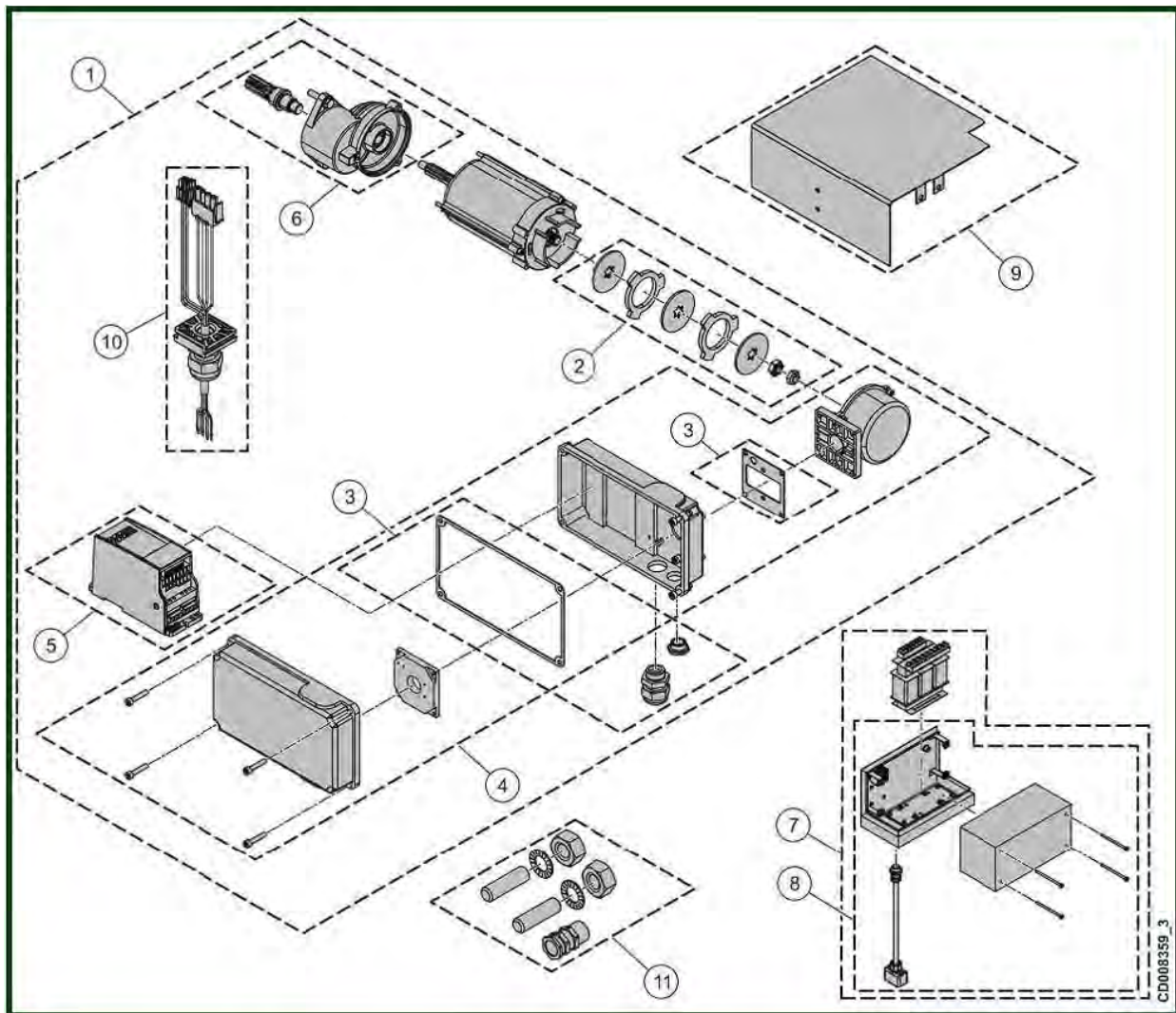


C1 Trolley – 0 to 1000 Kg – Coupled version

NHT

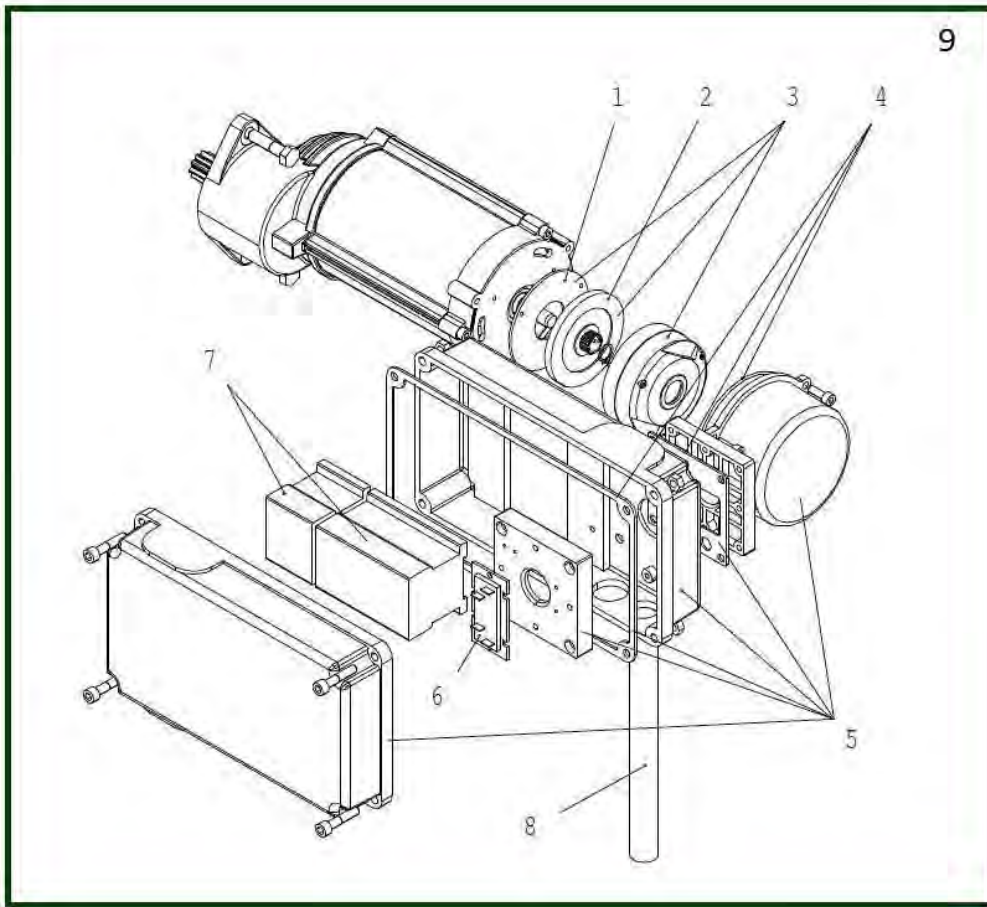
Item	Reference	Description	Observation	Quantity
1	<u>VT0007051</u>	Idler side plate assembly		1
2	<u>VT0007066</u>	Drive side plate assembly		1
3	<u>VT0007061</u>	Complete set of travel wheel without shaft		1
4	<u>VT0007063</u>	Set driving wheel without shaft	Ø 62 - 93 mm	1
5	<u>VT0007062</u>	Set of counter weight		1
6	<u>VT0007065</u>	Cross bar	Coupled version	1
7	<u>VT0007026</u>	Tie rod set beam - 55 to 100 mm	Monobloc tie road since 1999 Hook and coupling suspension	1
7	<u>VT0007027</u>	Tie rod set beam - 106 to 150 mm	Monobloc tie road since 1999 Hook and coupling suspension	1
7	<u>VT0007028</u>	Tie rod set beam - 155 to 200 mm	Monobloc tie road since 1999 Hook and coupling suspension	1
7	<u>VT0007029</u>	Tie rod set beam - 206 to 248 mm	Monobloc tie road since 1999 Hook and coupling suspension	1
7	<u>VT0007030</u>	Tie rod set beam - 260 to 307 mm	Monobloc tie road since 1999 Hook and coupling suspension	1
7	<u>VT0007031</u>	Tie rod set beam - 308 to 310 mm	Monobloc tie road since 1999 Hook and coupling suspension	1
8	<u>VT0007098</u>	Limit switch - 1 step		1
8	<u>VT0008775</u>	Limit switch - 2 steps		1
9	<u>VT0008776</u>	Travelling limit switch assembly - 1 step		1
9	<u>VT0008777</u>	Travelling limit switch assembly - 2 steps		1
10	<u>VT0009357</u>	Buffer	D40x20 - From C1 trolley to C5	1
11	<u>VT0007091</u>	Ball bearing		1

7.3. Inverter TMU motor VR hoist



Item	Reference	Description	Observation	Quantity
1	52890308	Travelling machinery - TMU1	42-230V < 1000 Kg	1
1	52890306	Travelling machinery - TMU2	42-230V > 1000 Kg to 2000 kg	1
2	52296293	Brake repair set	M06-001V	1
3	52300292	Sealings set	M06-008V	1
4	52907130	Housing set	M06-022V	1
5	52387783	Inverter VT003 TMK003.380 460V/ ctrl 42 230V	Since January 2015 for motor already equipped of this inverter	1
6	52297191	Reducer	GEL105PT1B0	1
7	52303806	Control panel	T50E-TE07	1
8	53050878	Cover set	UKTM/ALTM-NEW	1
9	52305058	Rain cover	All models C1 to C5	1
10	53110165	Connection cable	TMU 1&2	1
11	52908158	Fixing set		1

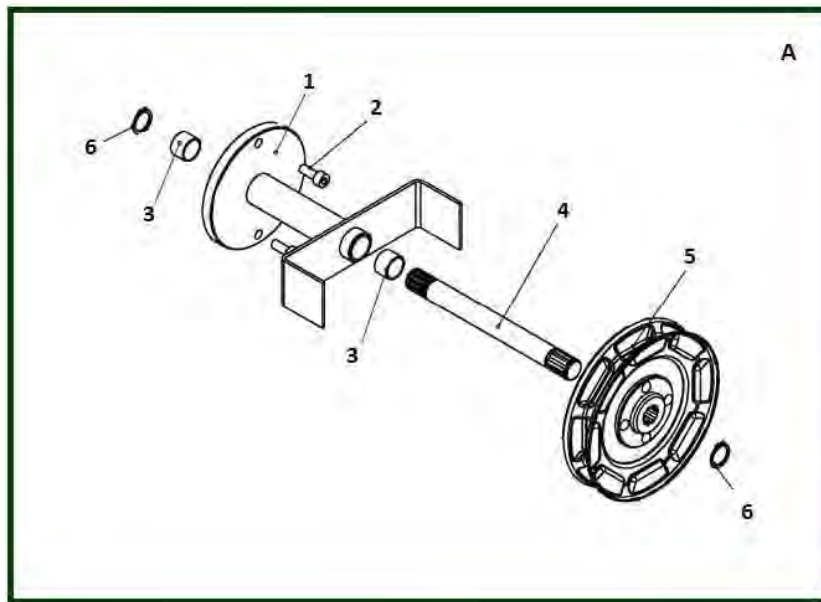
7.4. Two speeds TMU motor for VR hoist



Two speeds TMU motor for VR hoist

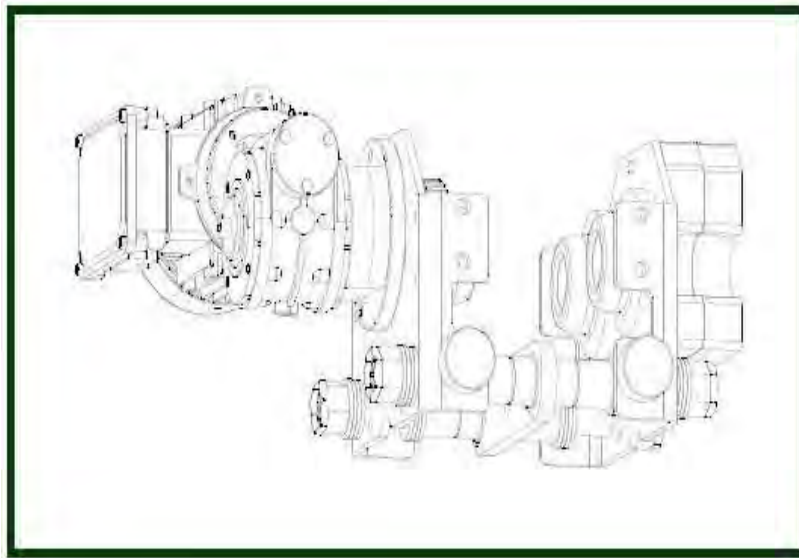
Item	Reference	Description	Observation	Quantity
1	52269590	Friction plate		1
2	52269587	Brake disc		1
3	52318378	Brake disc 180V	MF06MA104	1
3	52318416	Brake disc 240V	MF06MA104	1
3	52318424	Brake disc 290V	MF06MA104	1
4	52300292	Sealings set	M06-008V	1
5	52300291	Terminal box	M06-007V	1
6	15823007	Rectifier	Motor 220V	1
6	15823006	Rectifier	Motor 380 - 550V	1
7	1123052	Reversing contactor	110V	1
7	1113097	Reversing contactor	230V	1
7	1113023	Reversing contactor 400V/48V - LC2ECO9E	(7531023V) Hoisting cross travelling	1
7	1113098	Main contactor KAU	230 V 50/60 Hz	1
7	1113021	Reversing contactor	48V	1
7	1123050	Reversing contactor	110V	1
8	53243829	Connection cable	TMU 1&2	1
9	52782175	TMU motor - 2 speeds	230V/48V 50 Hz	1
9	52782176	TMU motor - 2 speeds	400V/48V 50 Hz	1
9	52782171	TMU motor - 2 speeds	460V/115V 60 Hz - Standard	1
9	52782177	TMU motor - 2 speeds	500V/48V 50 Hz	1
9	52782172	TMU motor - 2 speeds	575V/115V 60 Hz - Standard	1
	52782173	TMU motor - 2 speeds	230V/115V 60 Hz - Standard	1
	52305058	Rain cover	All models C1 to C5	1

7.5. Chain travel



Item	Reference	Description	Observation	Quantity
1	52306328	Support		1
2	830905	CHC screw 8x20		1
3	993275	Bearing		1
4	52306329	CHM shaft		1
5	400953	Travelling hand wheel - Ø 165 mm	3,2T	1
6	400052	Circlip 20r		1
	53020194	Hand chain - 5x27.1	9,8 meters	1
	820003	Galvanized hand chain - 5x27,1		1
A	52306332	Chain operated manual travelling	From C1 Trolley to C5	1

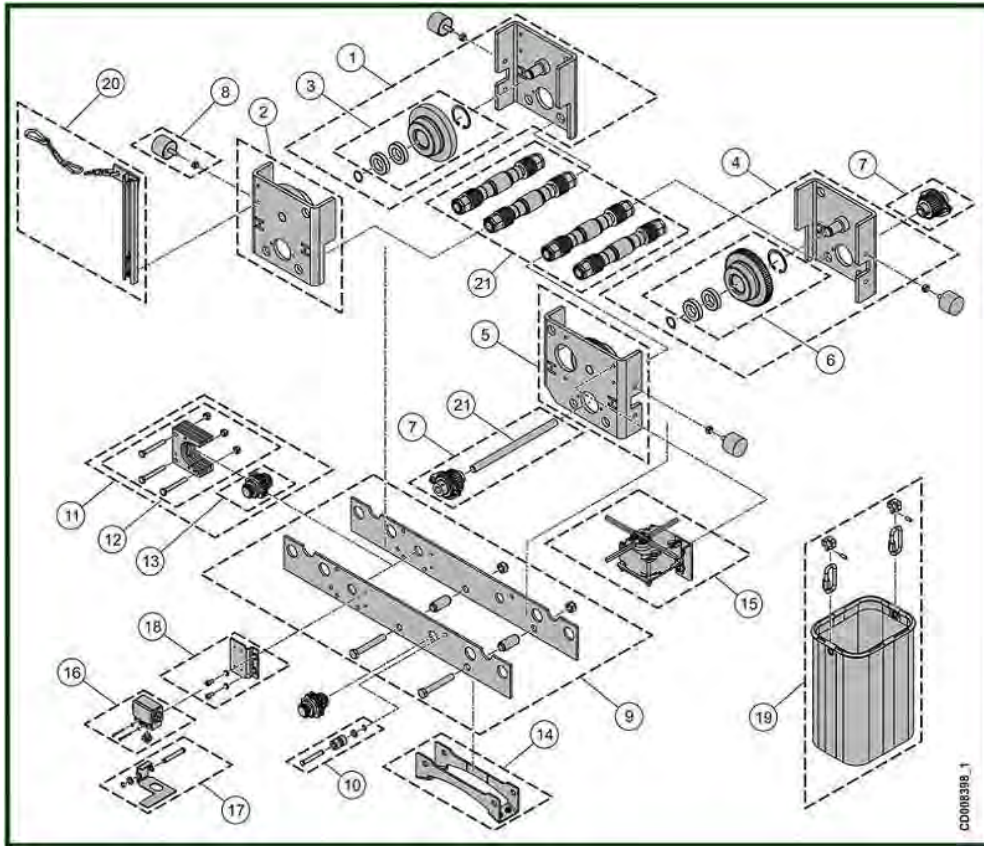
7.6. Right angle motor



Item	Reference	Description	Observation	Quantity
	<u>551037</u>	Cubicle + Mac 2 pcb		1
	<u>2216904</u>	Adaptation set for right angle travelling machinery	Pinion – Flange - Screws	1
	<u>556972</u>	Right angle travelling machinery	Speed 40 & 10m/min - C1-C2-C3	1
	<u>2133033</u>	CI board	2CS - MAC	1

8. LOW HEADROOM TROLLEY

LHT



Low Headroom Trolley

LHT

Item	Reference	Description	Observation	Quantity
1	<u>VT0008742</u>	Idle flange		1
2	<u>VT0008743</u>	Idle flange	Motor side	1
3	<u>VT0008961</u>	Travel wheel idle without shaft		2
4	<u>VT0008745</u>	Motor flange		1
5	<u>VT0008746</u>	Motor flange	Motor side	1
6	<u>VT0008963</u>	Travel wheel without shaft		2
7	<u>VT0008748</u>	Gear wheel set - 66 to 112	L232	1
7	<u>VT0008947</u>	Gear wheel set - 113 to 154	L274	1
7	<u>VT0008948</u>	Gear wheel set - 155 to 199	L315	1
7	<u>VT0008949</u>	Gear wheel set - 200 to 259	L362	1
7	<u>VT0008950</u>	Gear wheel set - 260 to 300	L422	1
8	<u>VT0008749</u>	Buffer	D40L50	1
9	<u>VT0008894</u>	Plate set	HPR	1
10	<u>VT0008895</u>	Diabolo set	LHT 5x14	1
12	<u>VT0008966</u>	Sprocket	4x11,7	1
15	<u>VT0008756</u>	Limit switch	1 step	1
16	<u>VT0008892</u>	Limit switch assembly	LHT	1
17	<u>VT0008891</u>	Limit switch activator	LHT	1
18	<u>VT0008893</u>	Fixing set	LHT	1
20	<u>VT0008761</u>	Towing arm	L250	1
20	<u>VT0008762</u>	Towing arm	L450	1
21	<u>VT0008951</u>	Shaft set - 66 to 112	L232	1
21	<u>VT0008952</u>	Shaft set - 113 to 154	L274	1
21	<u>VT0008953</u>	Shaft set - 155 to 199	L315	1
21	<u>VT0008954</u>	Shaft set - 200 to 259	L362	1
21	<u>VT0008955</u>	Shaft set - 260 to 300	L422	1

9. CHD MANUAL TROLLEY



Item	Reference	Description	Observation	Quantity
	<u>VT0006536</u>	Buffer	Ø 18mm - 250 kg	4
	<u>VT0006537</u>	Buffer	Ø 24mm - 500 kg	4