

## Spare parts VR16

To avoid errors, when ordering please specify:

Complete type of hoist

Date of manufacture and serial number

Spare part code

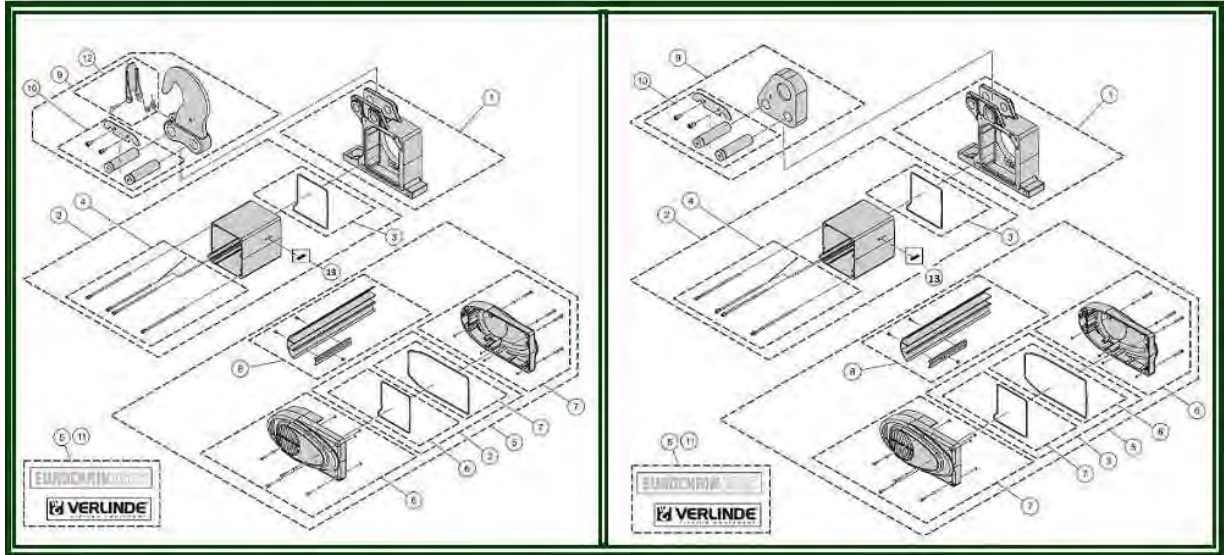
Spare part designation

Additional information

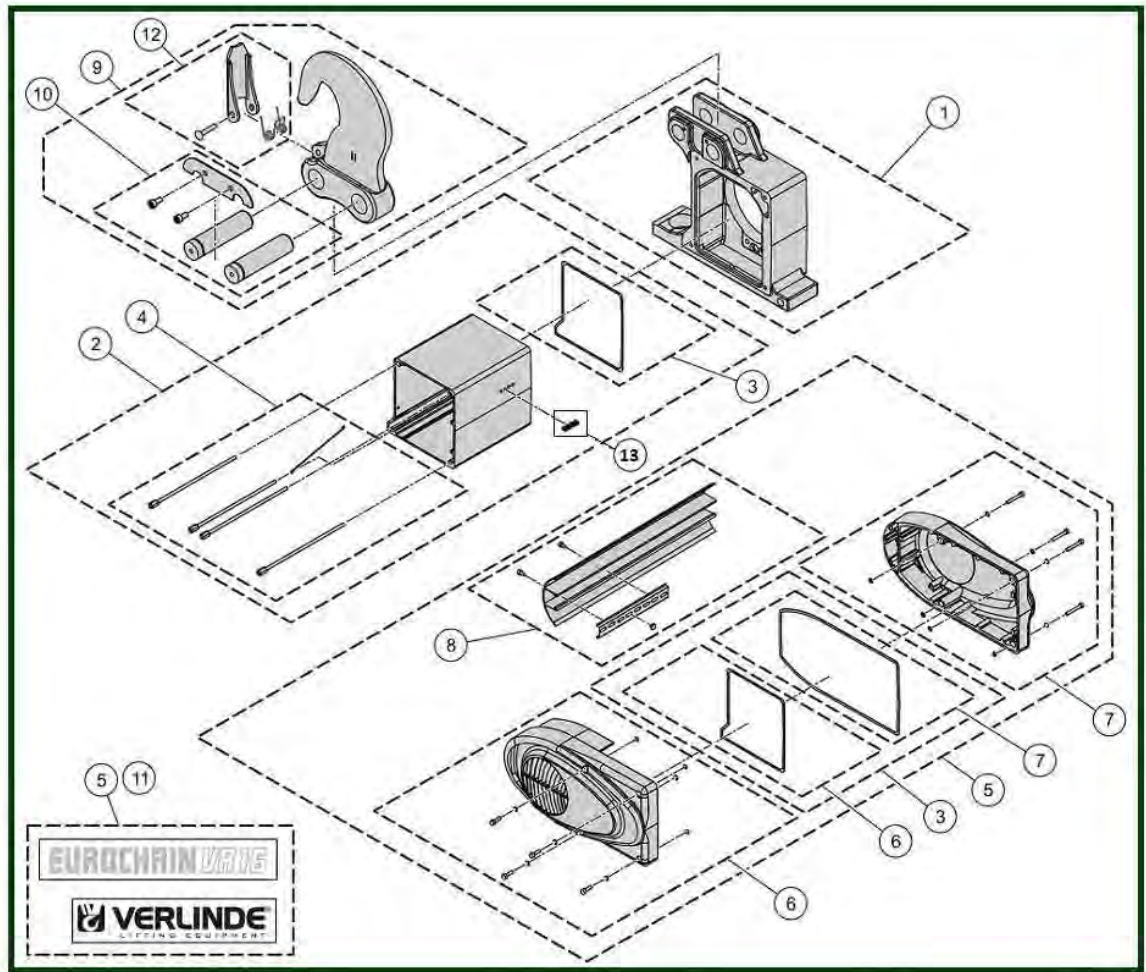


<b>1. FRAME</b> .....	<b>3</b>
1.1. Suspension hook.....	4
1.2. Suspension eye .....	6
<b>2. GUIDE-CHAINE 9X27</b> .....	<b>8</b>
2.1. Guide-chaîne - 1 fall - Fin de course standard .....	9
2.2. Chain guide - 1 fall - Gear limit switch .....	11
2.3. Chain guide - 2 falls - Standard limit switch .....	13
2.4. Chain guide - 2 falls - Gear limit switch.....	15
<b>3. GEAR</b> .....	<b>17</b>
3.1. Single brake .....	18
3.2. Double brakes.....	20
<b>4. MOTOR - Single brake &amp; Double brakes</b> .....	<b>22</b>
<b>5. ELECTRICAL PARTS</b> .....	<b>24</b>
5.1. Solo equipment – Standard .....	25
5.2. Equipment for crane kit.....	29
<b>6. PUSH BUTTON CONTROLLER</b> .....	<b>32</b>
6.1. 2 buttons .....	33
6.2. 4 buttons .....	35
6.3. 6 buttons .....	37
6.4. Push button controller - From september 2014.....	40
<b>7. NORMAL HEADROOM TROLLEY</b> .....	<b>43</b>
7.1. C3 trolley - 2001 to 3200 kg - Hanging version.....	44
7.2. C3 trolley- 2001 to 3200 kg - Coupled version.....	46
7.3. Inverter TMU motor .....	48
7.4. Two speeds TMU motor .....	49
7.5. Chain travel.....	51
7.6. Right angle motor .....	52

# 1. FRAME



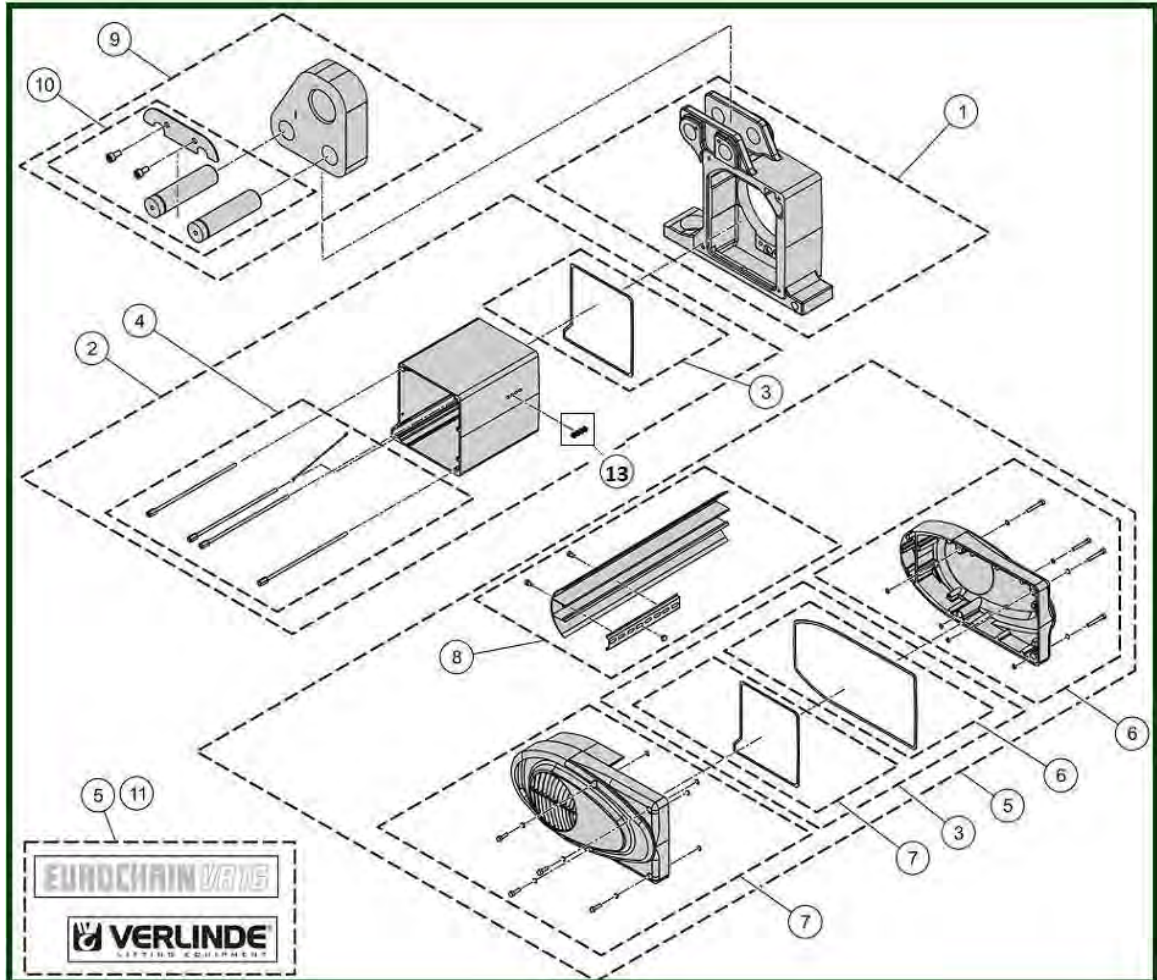
## 1.1. Suspension hook



## Suspension hook

Item	Reference	Description	Observation	Quantity
1	<u>VT0006668</u>	Flange housing		1
2	<u>VT0006670</u>	Electrical housing		1
3	<u>VT0006672</u>	Sealings set		1
4	<u>VT0006673</u>	Screw set - M6L215		1
5	<u>VT0008049</u>	Cover	Double brakes	1
5	<u>VT0006669</u>	Electrical housing	Single brake	1
6	<u>VT0006674</u>	Cover set - Motor side		1
7	<u>VT0006675</u>	Cover set - Brake side		1
8	<u>VT0006676</u>	Cover set - Front cover		1
9	<u>VT0006583</u>	Suspension hook		1
10	<u>VT0006584</u>	Fixing set		1
11	<u>VT0006677</u>	Stickers set - Brand		1
12	<u>VT0005902</u>	Safety latch		1
13	<u>VT0006090</u>	Set of 4 plugs	OPTION : Gear limit switch	1
14	<u>VT0006050</u>	Set of 10 load plates	1000 Kg	1
14	<u>VT0006051</u>	Set of 10 load plates	1250 Kg	1
14	<u>VT0006052</u>	Set of 10 load plates	1600 Kg	1
14	<u>VT0006053</u>	Set of 10 load plates	2000 Kg	1
14	<u>VT0006054</u>	Set of 10 load plates	2500 Kg	1
14	<u>VT0007817</u>	Set of 10 load plates	3200 Kg	1

1.2. Suspension eye



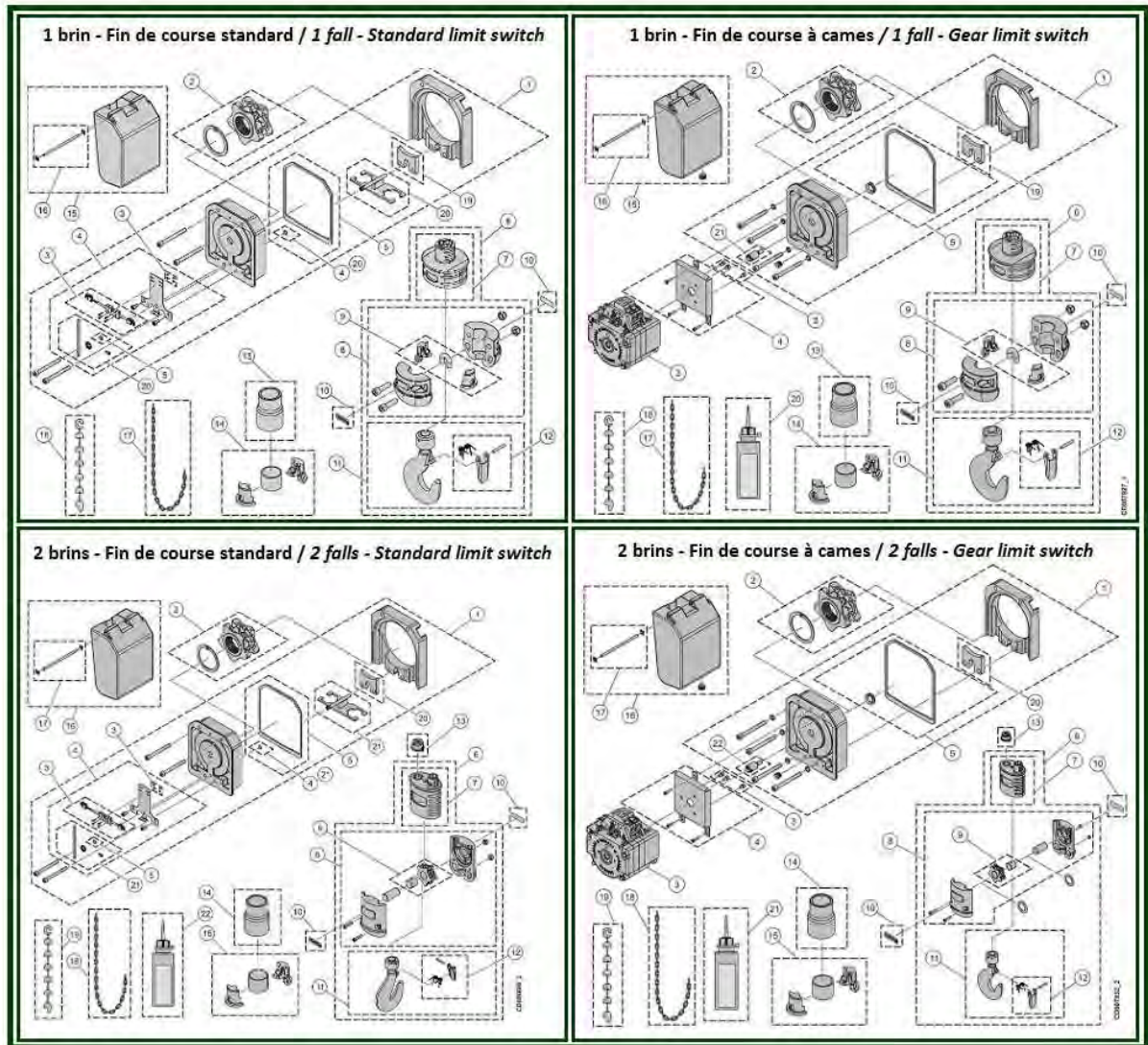
## Suspension eye

Item	Reference	Description	Observation	Quantity
1	<u>VT0006668</u>	Flange housing		1
2	<u>VT0006670</u>	Electrical housing		1
3	<u>VT0006672</u>	Sealings set		1
4	<u>VT0006673</u>	Screw set - M6L215		1
5	<u>VT0008049</u>	Cover	Double brakes	1
5	<u>VT0006669</u>	Electrical housing	Single brake	1
6	<u>VT0006674</u>	Cover set - Motor side		1
7	<u>VT0006675</u>	Cover set - Brake side		1
8	<u>VT0006676</u>	Cover set - Front cover		1
9	<u>VT0006582</u>	Suspension eye		1
10	<u>VT0006584</u>	Fixing set		1
11	<u>VT0006677</u>	Stickers set - Brand		1
13	<u>VT0006090</u>	Set of 4 plugs	OPTION : Gear limit switch	1
14	<u>VT0006050</u>	Set of 10 load plates	1000 Kg	1
14	<u>VT0006051</u>	Set of 10 load plates	1250 Kg	1
14	<u>VT0006052</u>	Set of 10 load plates	1600 Kg	1
14	<u>VT0006053</u>	Set of 10 load plates	2000 Kg	1
14	<u>VT0006054</u>	Set of 10 load plates	2500 Kg	1
14	<u>VT0007817</u>	Set of 10 load plates	3200 Kg	1



## 2. GUIDE-CHAINE 9X27

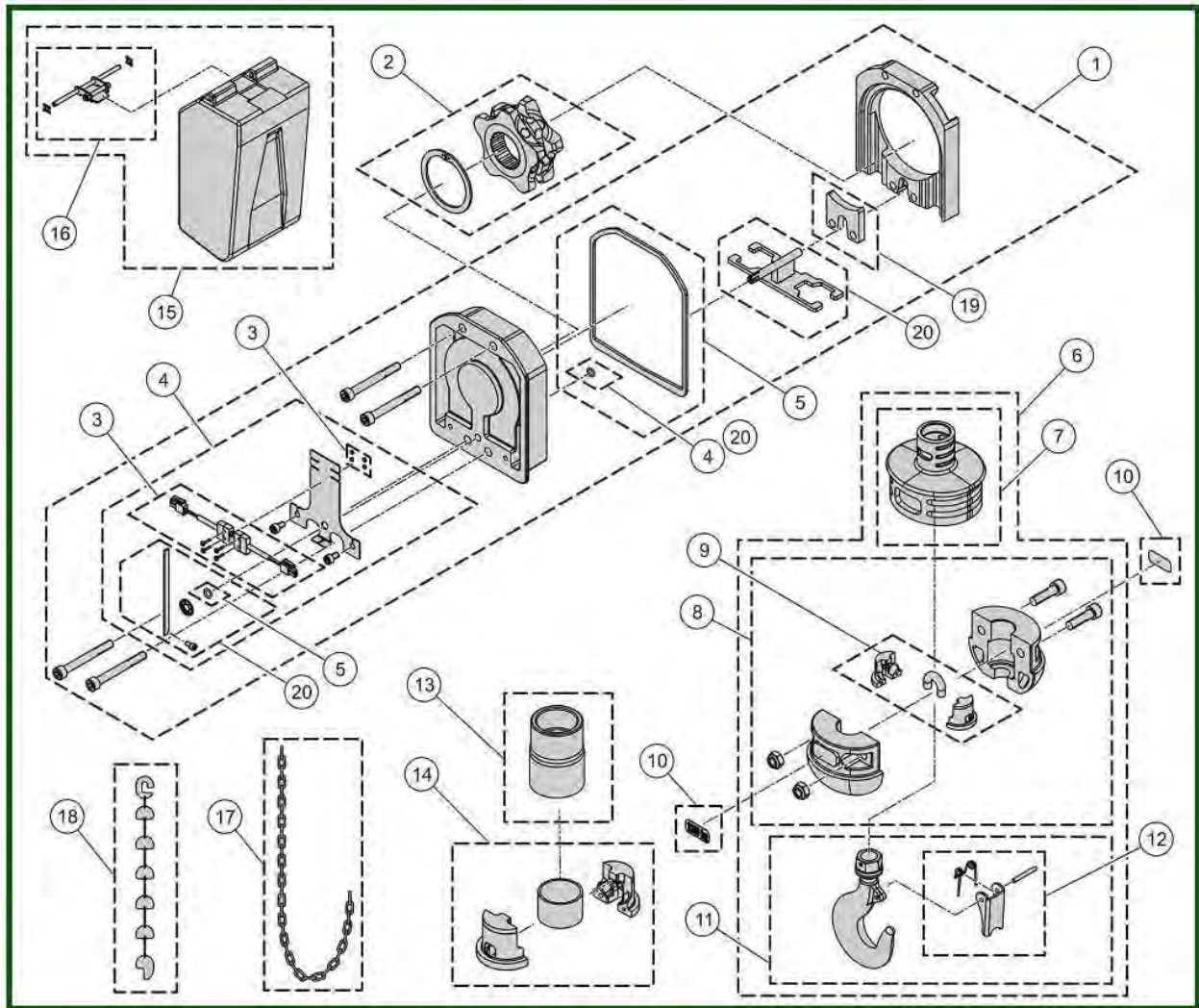
*It is not possible to fit MS & GLS together*





2.1. Chain guide - 1 fall – Standard limit switch

Chain 9x27

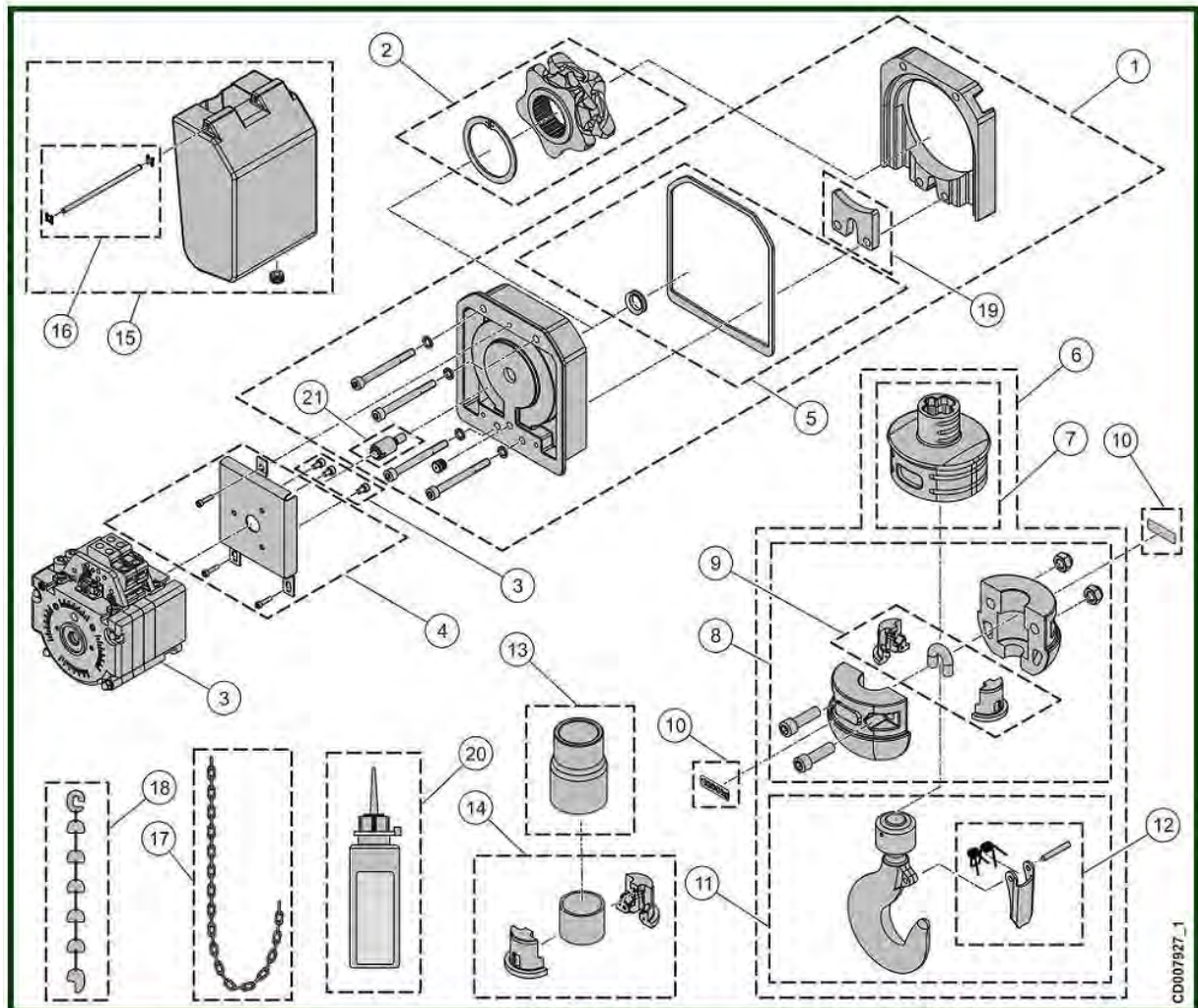


Chain guide - 1 fall – Standard limit switch

Item	Reference	Description	Observation	Quantity
1	<u>VT0006678</u>	Chain guide - Chain 9x27		1
2	<u>VT0006679</u>	Chain sprocket		1
3	<u>VT0006588</u>	Switch set		1
4	<u>VT0006589</u>	Limit switch activator		1
5	<u>VT0006680</u>	Sealings set		1
6	<u>VT0006681</u>	Hook block - 1 fall		1
6	<u>VT0008050</u>	Hook block - 1 fall	Automatic hook	1
7	<u>VT0006682</u>	Rubber chain stop		1
8	<u>VT0006683</u>	Half casing set		1
9	<u>VT0006684</u>	Shaft		1
10	<u>VT0006596</u>	Set of 10 load plates	1000 Kg	1
10	<u>VT0006749</u>	Set of 10 load plates	1250 Kg	1
10	<u>VT0006597</u>	Set of 10 load plates	1600 Kg	1
11	<u>VT0006685</u>	Hook assembly		1
11	<u>VT0006486</u>	Automatic hook assembly		1
12	<u>VT0006750</u>	Safety latch		1
13	<u>VT0006686</u>	Rubber chain stop		1
14	<u>VT0006687</u>	Chain stop		1
15	<u>VT0006688</u>	Chain bucket	12 m	1
15	<u>VT0006689</u>	Chain bucket	30 m	1
15	<u>VT0007822</u>	Chain bucket	80 m	1
16	<u>VT0006604</u>	Fixing set - Chain bucket	12 m	1
16	<u>VT0007049</u>	Fixing set - Chain bucket	50 m & 80 m	1
17	<u>VT0006691</u>	Chain 9x27		1
18	<u>VT0006692</u>	Chain tools		1
19	<u>VT0006693</u>	Ejector		1
20	<u>VT0006694</u>	Limit switch activator		1
21	<u>VT0006025</u>	Oil can		1

## 2.2. Chain guide - 1 fall - Gear limit switch

Chain 9x27



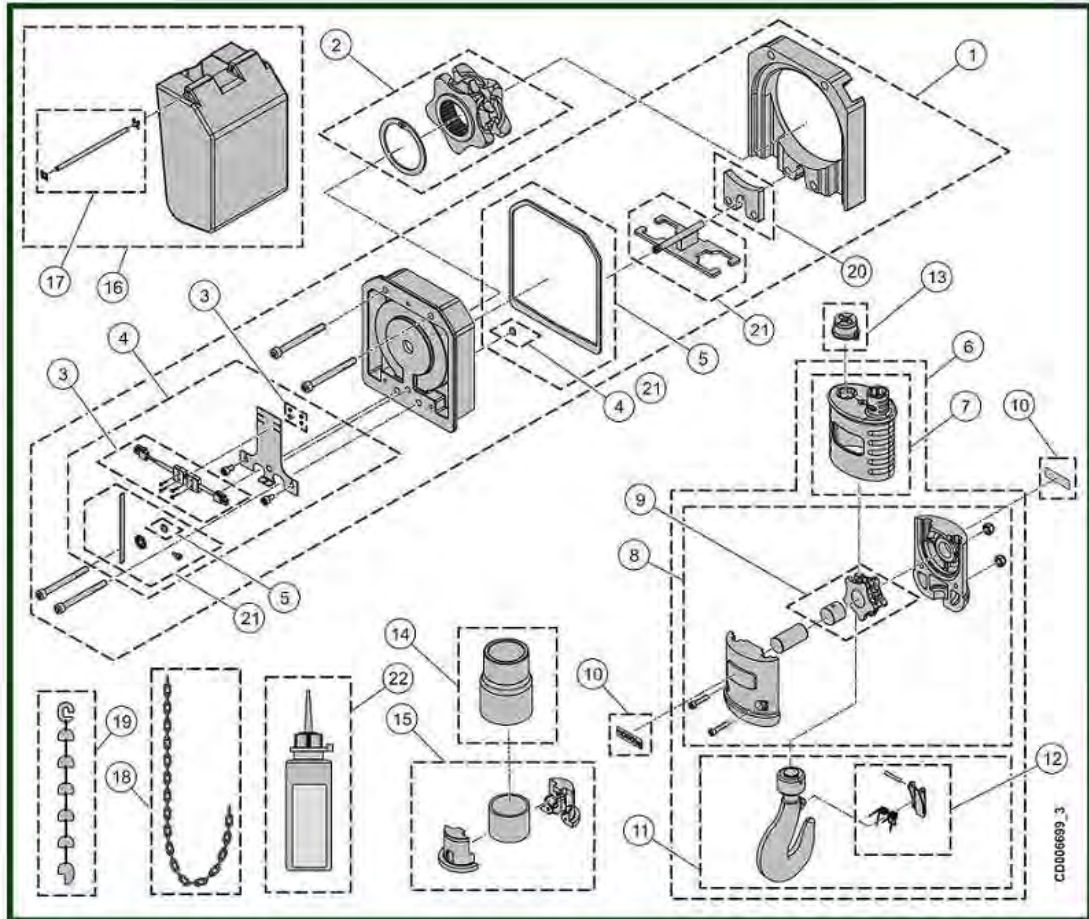
CD007927\_1

Chain guide - 1 fall - Gear limit switch

Item	Reference	Description	Observation	Quantity
1	<u>VT0008053</u>	Chain guide - Chain 9x27	Gear limit switch	1
2	<u>VT0006679</u>	Chain sprocket		1
3	<u>VT0006113</u>	Rotating limit switch - 2 steps	48m : 1 fall - 24m : 2 falls	1
3	<u>VT0006252</u>	Rotating limit switch - 4 steps	48m : 1 fall - 24m : 2 falls	1
4	<u>VT0008047</u>	Limit switch activator		1
5	<u>VT0008054</u>	Sealings set		1
6	<u>VT0006681</u>	Hook block - 1 fall		1
6	<u>VT0008050</u>	Hook block - 1 fall	Automatic hook assembly	1
7	<u>VT0006682</u>	Rubber chain stop		1
8	<u>VT0006683</u>	Half casing set		1
9	<u>VT0006684</u>	Shaft		1
10	<u>VT0006596</u>	Set of 10 load plates	1000 Kg	1
10	<u>VT0006749</u>	Set of 10 load plates	1250 Kg	1
10	<u>VT0006597</u>	Set of 10 load plates	1600 Kg	1
11	<u>VT0006685</u>	Hook assembly		1
11	<u>VT0006486</u>	Automatic hook assembly		1
12	<u>VT0006750</u>	Safety latch		1
13	<u>VT0006686</u>	Rubber chain stop		1
14	<u>VT0006687</u>	Chain stop		1
15	<u>VT0006688</u>	Chain bucket	12 m	1
15	<u>VT0006689</u>	Chain bucket	30 m	1
15	<u>VT0007822</u>	Chain bucket	80 m	1
16	<u>VT0006604</u>	Fixing set - Chain bucket	12 m	1
16	<u>VT0007049</u>	Fixing set - Chain bucket	50 m & 80 m	1
17	<u>VT0006691</u>	Chain 9x27		1
18	<u>VT0006692</u>	Chain tools		1
19	<u>VT0006693</u>	Ejector		1
20	<u>VT0006025</u>	Oil can		1
21	<u>VT0008045</u>	Geared limit switch		1

### 2.3. Chain guide - 2 falls - Standard limit switch

Chain 9x27



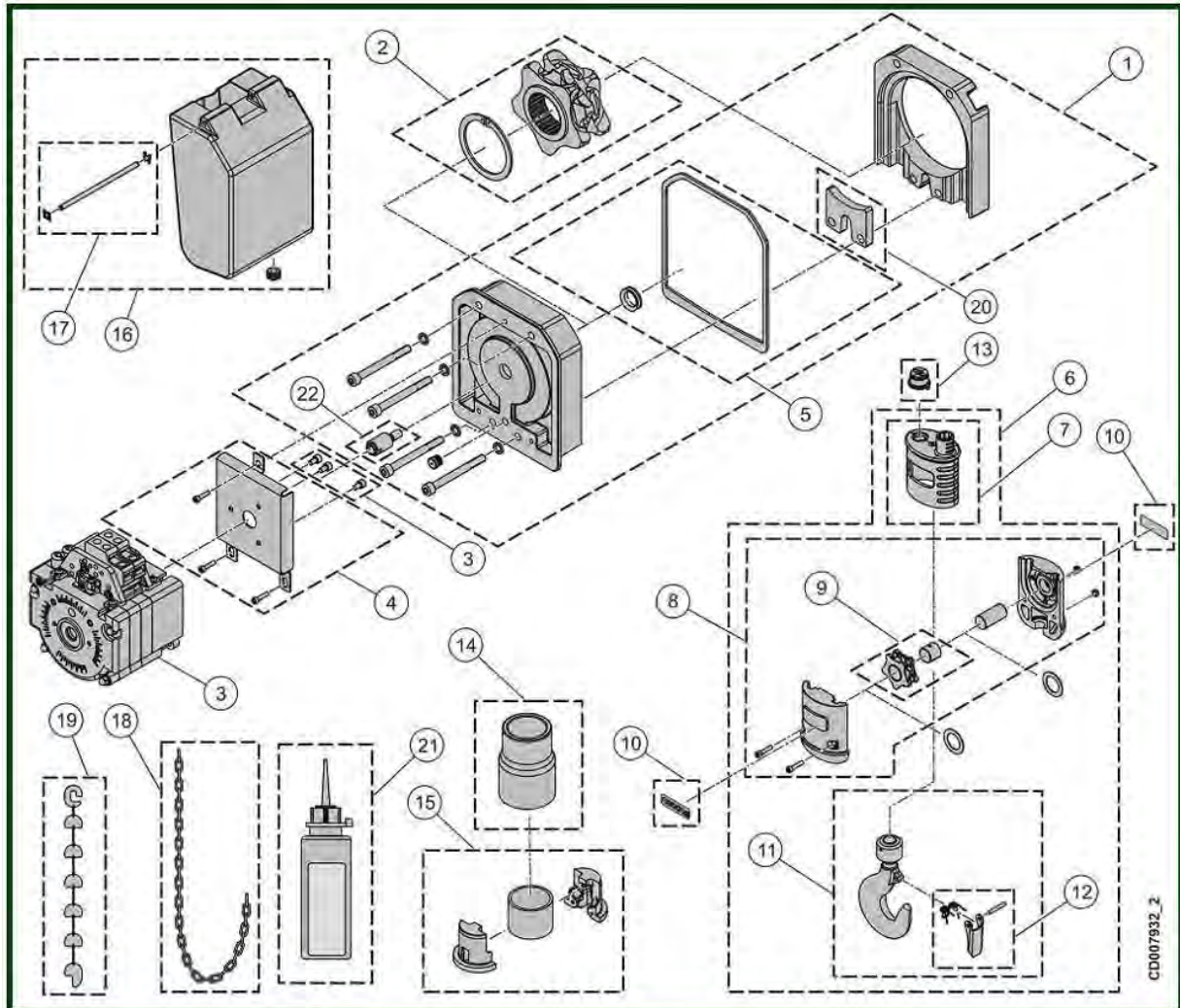


Chain guide - 2 falls - Standard limit switch

Item	Reference	Description	Observation	Quantity
1	<u>VT0006678</u>	Chain guide - Chain 9x27		1
2	<u>VT0006679</u>	Chain sprocket		1
3	<u>VT0006588</u>	Switch set		1
4	<u>VT0006589</u>	Limit switch activator		1
5	<u>VT0006680</u>	Sealings set		1
6	<u>VT0006695</u>	Hook block - 2 falls		1
6	<u>VT0008056</u>	Hook block - 2 falls	Automatic hook assembly	1
6	<u>VT0007050</u>	Hook block - 2 falls	Standard	1
7	<u>VT0006696</u>	Rubber chain stop		1
8	<u>VT0006697</u>	Set of half casing		1
9	<u>VT0006698</u>	Return sprocket		1
10	<u>VT0008058</u>	Set of 10 load plates	2000 Kg	1
10	<u>VT0008057</u>	Set of 10 load plates	2500 Kg	1
10	<u>VT0007824</u>	Set of 10 load plates	3200 Kg	1
11	<u>VT0008059</u>	Automatic hook assembly		1
11	<u>VT0006699</u>	Hook assembly standard		1
12	<u>VT0005902</u>	Safety latch		1
13	<u>VT0006700</u>	Fixing module		1
14	<u>VT0006686</u>	Rubber chain stop		1
15	<u>VT0006687</u>	Chain stop		1
16	<u>VT0006688</u>	Chain bucket	12 m	1
16	<u>VT0006689</u>	Chain bucket	30 m	1
16	<u>VT0007822</u>	Chain bucket	80 m	1
17	<u>VT0006604</u>	Fixing set - Chain bucket	12 m	1
17	<u>VT0007049</u>	Fixing set - Chain bucket		1
18	<u>VT0006691</u>	Chain 9x27		1
19	<u>VT0006692</u>	Chain tools		1
20	<u>VT0006693</u>	Ejector		1
21	<u>VT0006694</u>	Limit switch activator		1
22	<u>VT0006025</u>	Oil can		1

## 2.4. Chain guide - 2 falls - Gear limit switch

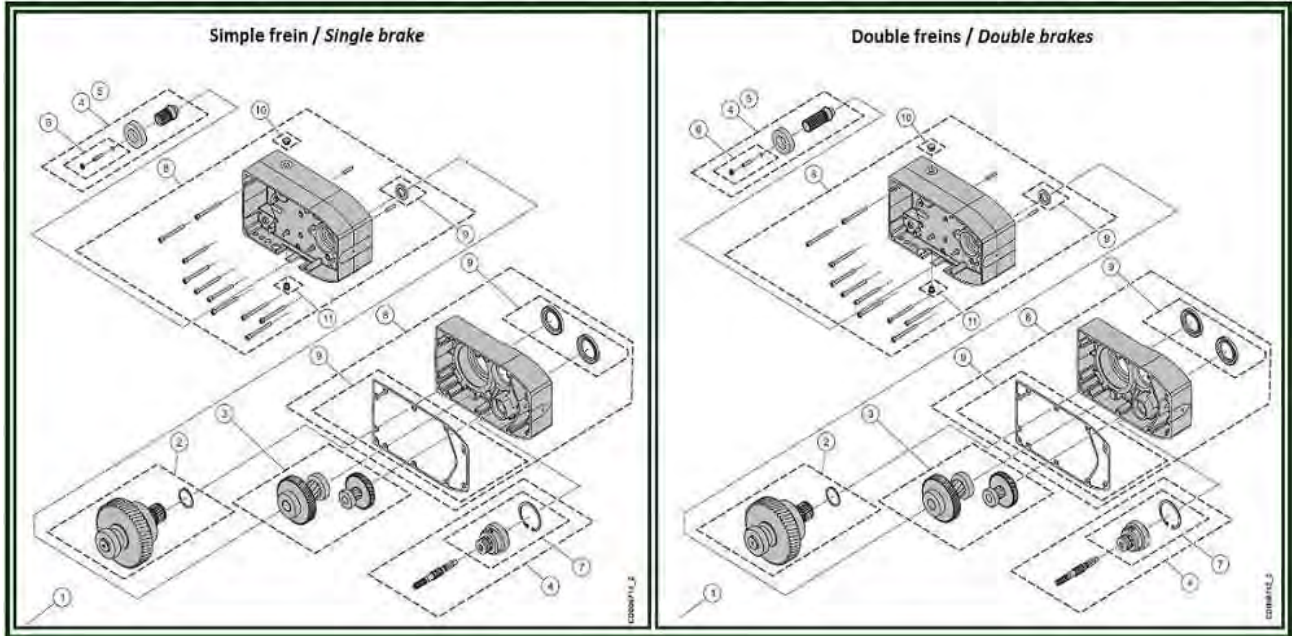
Chain 9x27



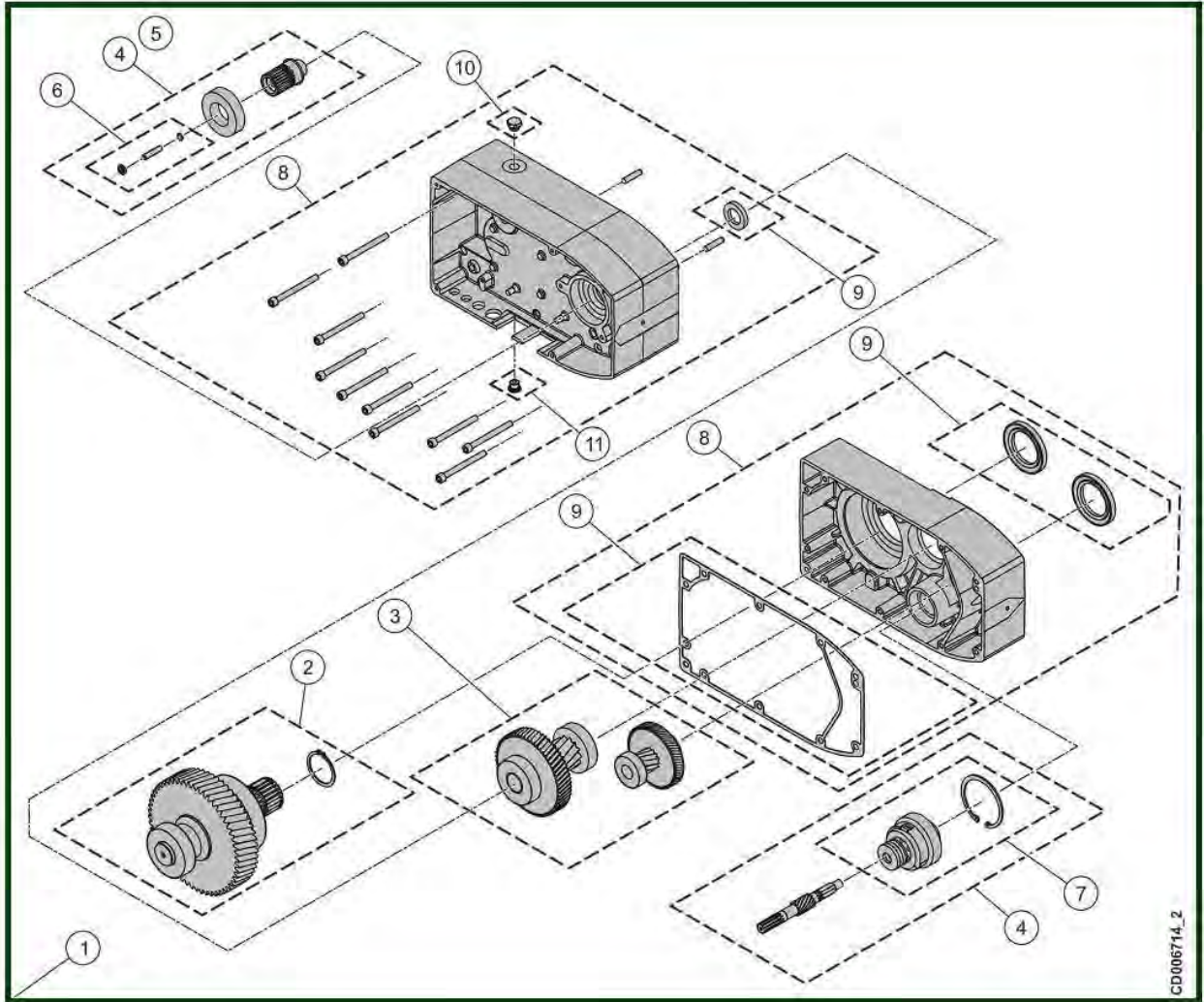
Chain guide - 2 falls - Gear limit switch

Item	Reference	Description	Observation	Quantity
1	<u>VT0008053</u>	Chain guide - Chain 9x27	Gear limit switch	1
2	<u>VT0006679</u>	Chain sprocket		1
3	<u>VT0006113</u>	Rotating limit switch - 2 steps	48m : 1 fall - 24m : 2 falls	1
3	<u>VT0006252</u>	Rotating limit switch - 4 steps	48m : 1 fall - 24m : 2 falls	1
4	<u>VT0008047</u>	Limit switch activator		1
5	<u>VT0008054</u>	Sealings set		1
6	<u>VT0008056</u>	Hook block - 2 falls	Automatic hook assembly	1
6	<u>VT0007050</u>	Hook block - 2 falls	Standard	1
7	<u>VT0006696</u>	Rubber chain stop		1
8	<u>VT0006697</u>	Set of half casing		1
9	<u>VT0006698</u>	Return sprocket		1
10	<u>VT0008058</u>	Set of 10 load plates	2000 Kg	1
10	<u>VT0008057</u>	Set of 10 load plates	2500 Kg	1
10	<u>VT0007824</u>	Set of 10 load plates	3200 Kg	1
11	<u>VT0008059</u>	Automatic hook assembly		1
11	<u>VT0006699</u>	Hook assembly standard		1
12	<u>VT0005902</u>	Safety latch		1
13	<u>VT0006700</u>	Fixing module		1
14	<u>VT0006686</u>	Rubber chain stop		1
15	<u>VT0006687</u>	Chain stop		1
16	<u>VT0006688</u>	Chain bucket	12 m	1
16	<u>VT0006689</u>	Chain bucket	30 m	1
16	<u>VT0007822</u>	Chain bucket	80 m	1
17	<u>VT0006604</u>	Fixing set - Chain bucket	12 m	1
17	<u>VT0007049</u>	Fixing set - Chain bucket	50 m & 80 m	1
18	<u>VT0006691</u>	Chain 9x27		1
19	<u>VT0006692</u>	Chain tools		1
20	<u>VT0006693</u>	Ejector		1
21	<u>VT0006025</u>	Oil can		1
22	<u>VT0008045</u>	Geared limit switch		1

### 3. GEAR



### 3.1. Single brake



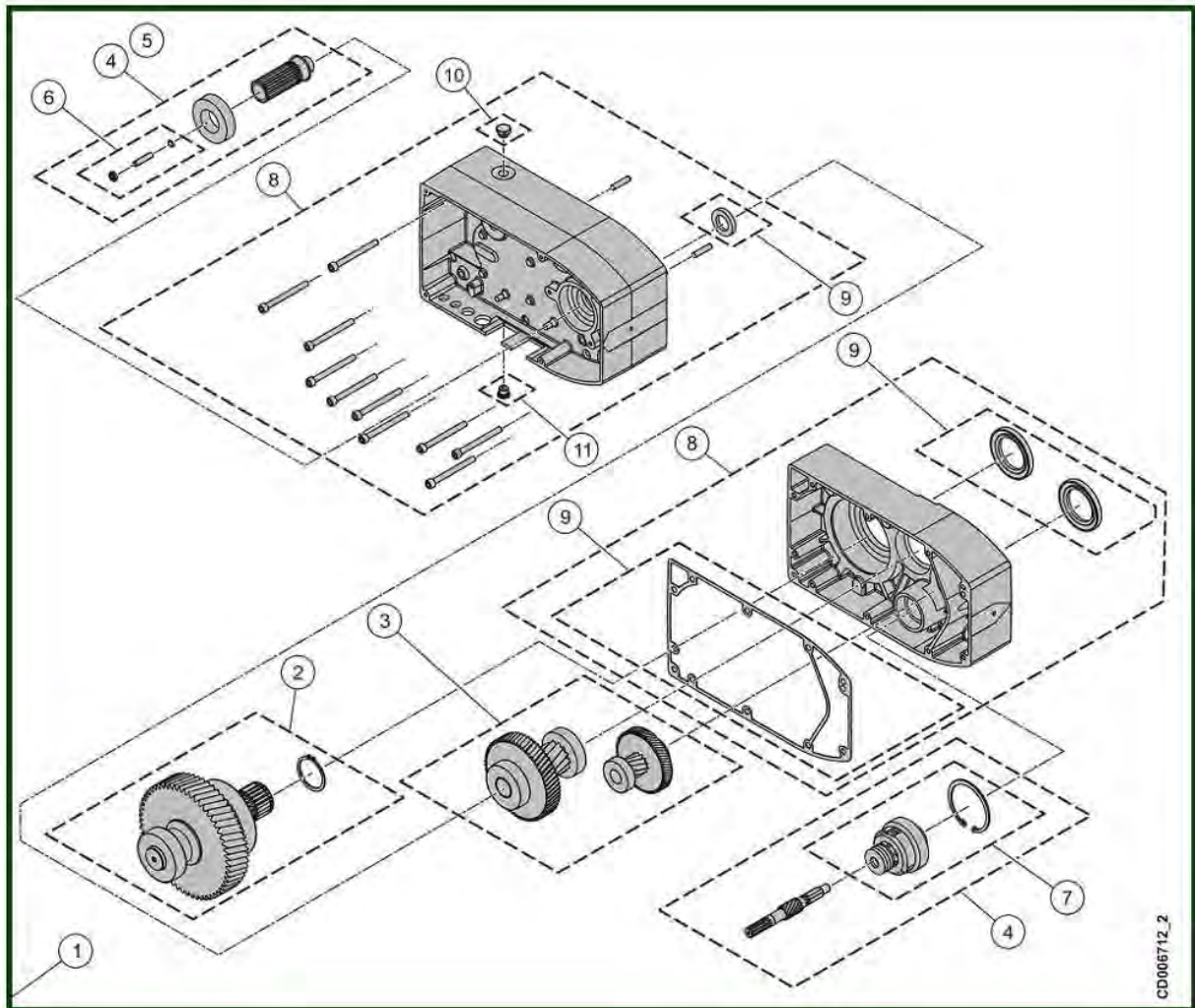
CD006714\_2



Single brake

Item	Reference	Description	Observation	Quantity
1	<u>VT0006702</u>	Gear assembly	8 m/min	1
1	<u>VT0006703</u>	Gear assembly	12.5 m/min	1
1	<u>VT0006704</u>	Gear assembly	16 m/min	1
2	<u>VT0006720</u>	Primary gear - Pinion set		1
3	<u>VT0006721</u>	Second gear pinion set	8 m/min	1
3	<u>VT0006722</u>	Second gear pinion set	12.5 m/min	1
3	<u>VT0006723</u>	Second gear pinion set	16 m/min	1
4	<u>VT0006724</u>	Gear shaft with clutch		1
5	<u>VT0006726</u>	Coupling brake side - Single brake		1
6	<u>VT0006728</u>	Screw set		1
7	<u>VT0006729</u>	Clutch set		1
8	<u>VT0006708</u>	Frame		1
9	<u>VT0006730</u>	Sealing set		1
10	<u>VT0006638</u>	Breather		1
11	<u>VT0006639</u>	End cap		1
-	<u>VT0006615</u>	Oil can gearbox VR	ATF320 02=0.25l /05=0.23l /10=0.60l /16=1.42l 25=2,00l	2

### 3.2. Double brakes

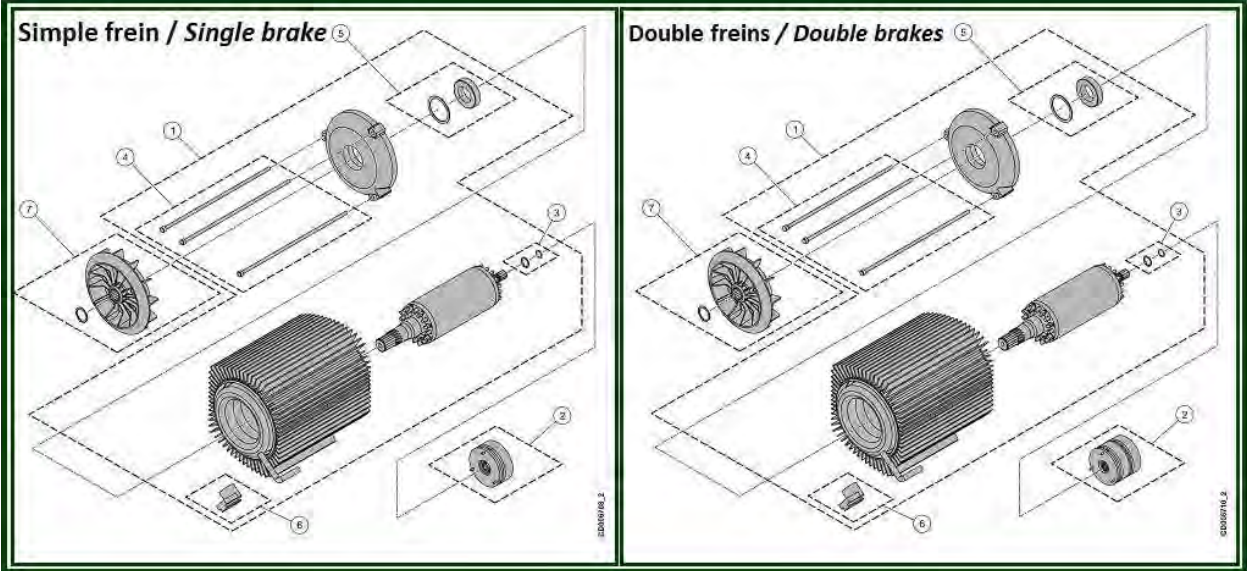


CD006712\_2

## Double brakes

Item	Reference	Description	Observation	Quantity
1	<u>VT0006705</u>	Gear assembly	8 m/min	1
1	<u>VT0006706</u>	Gear assembly	12.5 m/min	1
1	<u>VT0006707</u>	Gear assembly	16 m/min	1
2	<u>VT0006720</u>	Primary gear - Pinion set		1
3	<u>VT0006721</u>	Second gear pinion set	8 m/min	1
3	<u>VT0006722</u>	Second gear pinion set	12.5 m/min	1
3	<u>VT0006723</u>	Second gear pinion set	16 m/min	1
4	<u>VT0006725</u>	Gear shaft with clutch		1
5	<u>VT0006727</u>	Coupling brake side - Single brake		1
6	<u>VT0006728</u>	Screw set		1
7	<u>VT0006729</u>	Clutch set		1
8	<u>VT0006708</u>	Frame		1
9	<u>VT0006730</u>	Sealing set		1
10	<u>VT0006638</u>	Breather		1
11	<u>VT0006639</u>	End cap		1
-	<u>VT0006615</u>	Oil can gearbox VR	ATF320 02=0.25l /05=0.23l /10=0.60l /16=1.42l 25=2,00	2

#### 4. MOTOR - Single brake & Double brakes

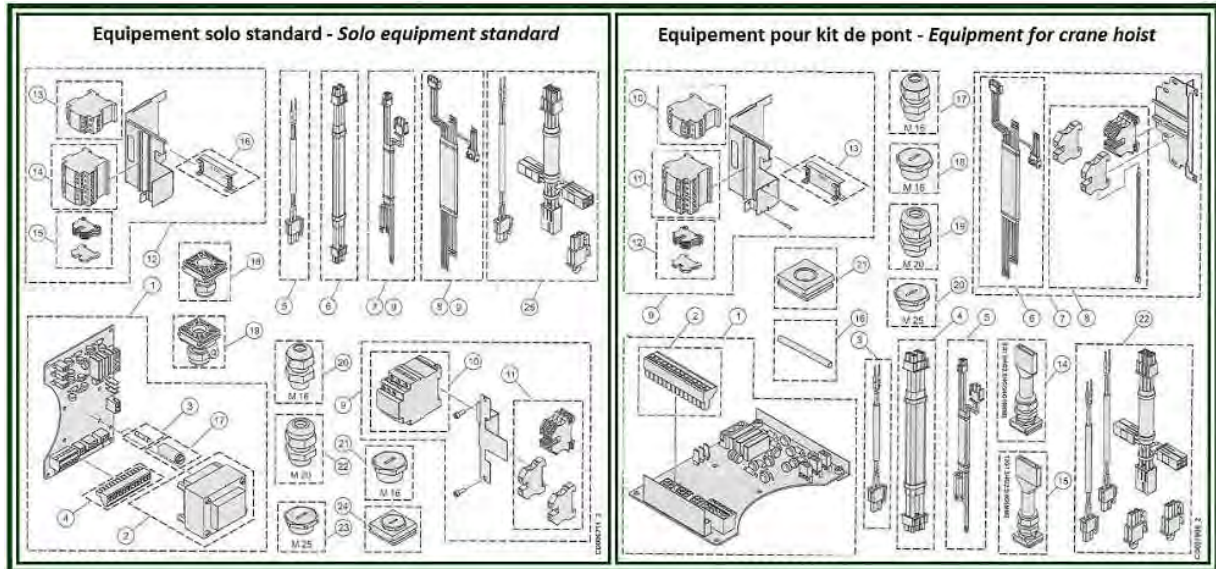


## MOTOR - Single brake & Double brakes

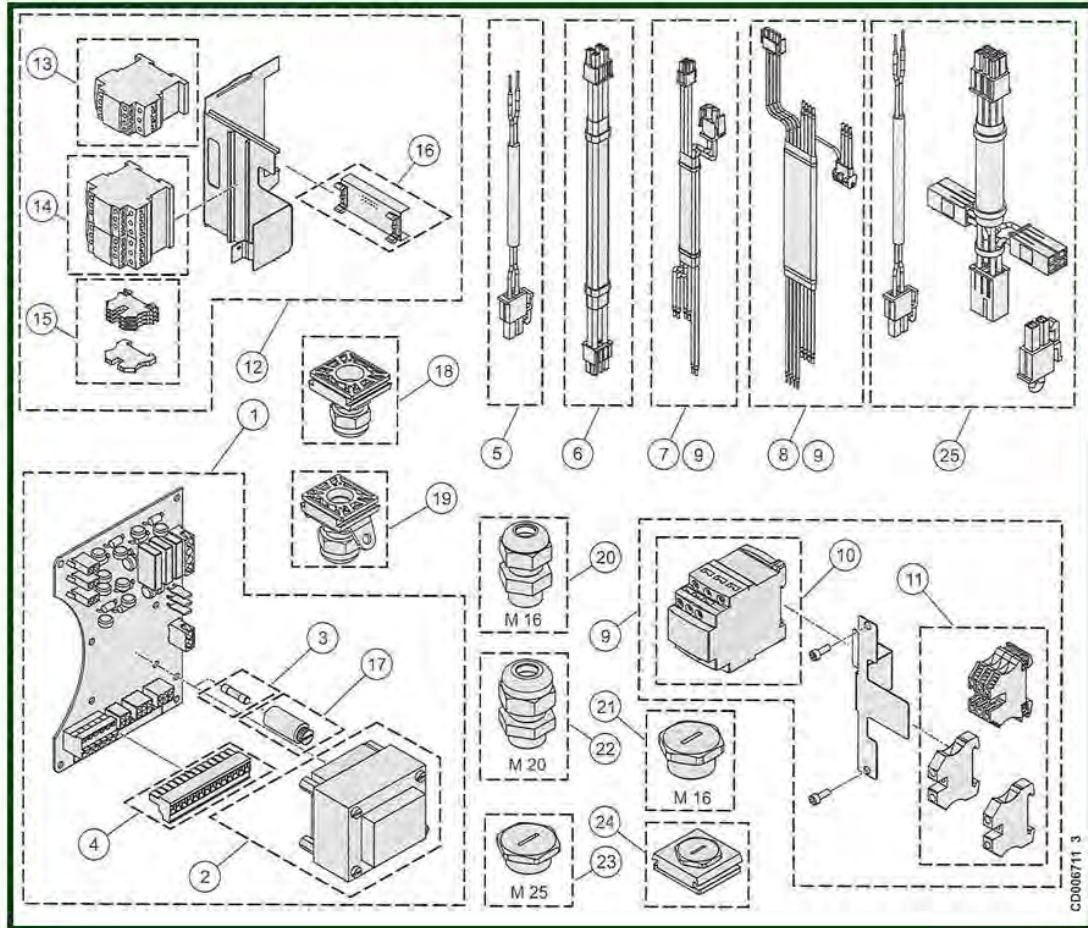
Item	Reference	Description	Observation	Quantity
1	<u>VT0006710</u>	Motor- 2 speeds	220-240V 50Hz Without fan	1
1	<u>VT0006713</u>	Motor- 2 speeds	380-400V 60Hz Without fan	1
1	<u>VT0006709</u>	Motor- 2 speeds	380-415V 50Hz / 440-480V 60Hz Without fan	1
1	<u>VT0006715</u>	Motor- 2 speeds	500-525V 50Hz / 575-600V 60Hz Without fan	1
1	<u>VT0006712</u>	Motor- 2 speeds	660-690V 50Hz Without fan	1
1	<u>VT0006714</u>	Motor- 2 speeds	660-690V 60Hz Without fan	1
2	<u>VT0008563</u>	Single brake + seal kit	103 - 230 V Double brakes = Single brake x 2	1
2	<u>VT0008564</u>	Single brake + seal kit	190 - 400 V Double brakes = Single brake x 2	1
2	<u>VT0008565</u>	Single brake + seal kit	240 - 500 V Double brakes = Single brake x 2	1
2	<u>VT0008566</u>	Single brake + seal kit	320 - 690 V Double brakes = Single brake x 2	1
3	<u>VT0006654</u>	Retaining ring		1
4	<u>VT0006748</u>	Screw set		1
5	<u>VT0005912</u>	Bearing set		1
6	<u>VT0006733</u>	Grommet		1
7	<u>VT0005915</u>	Fan set		1



## 5. ELECTRICAL PARTS



## 5.1. Solo equipment – Standard



Item	Reference	Description	Observation	Quantity
1	<a href="#">VT0007668</a>	CI board	208-230V/110-115V/50-60Hz	1
1	<a href="#">VT0007667</a>	CI board	230V / 48V / 50-60Hz	1
1	<a href="#">VT0006738</a>	CI board	380-415V / 24V / 50 60Hz	1
1	<a href="#">VT0006657</a>	CI board	380-415V / 48V / 50-60Hz	1
1	<a href="#">VT0007665</a>	CI board	380-415V / 110-115V / 50-60Hz	1
1	<a href="#">VT0007666</a>	CI board	380-415V / 230V / 50-60Hz	1
1	<a href="#">VT0007669</a>	CI board	440-480V / 48V /50-60Hz	1
1	<a href="#">VT0007670</a>	CI board	440-480V / 110-115V / 50-60Hz	1
1	<a href="#">VT0007671</a>	CI board	500-525V / 48V / 50-60Hz	1

Solo equipment – Standard

Item	Reference	Description	Observation	Quantity
1	<u>VT0007672</u>	CI board	500-525V/110-115V / 50-60Hz	1
1	<u>VT0007695</u>	CI board	500-525V/230V / 50-60Hz	1
1	<u>VT0007673</u>	CI board	575V/48V / 50-60Hz	1
1	<u>VT0007674</u>	CI board	575V/110-115V / 50-60Hz	1
1	<u>VT0007675</u>	CI board	690V /48V / 50-60Hz	1
1	<u>VT0007676</u>	CI board	690V /110-115V / 50-60Hz	1
2	<u>VT0007684</u>	Transformer	230V/48V / 50-60Hz	1
2	<u>VT0007685</u>	Transformer	230V/110-115V / 50-60Hz	1
2	<u>VT0006739</u>	Transformer	380-415V / 24V / 50 60Hz	1
2	<u>VT0006658</u>	Transformer	380-415V / 48V / 50-60Hz	1
2	<u>VT0007682</u>	Transformer	380-415V / 110-115V / 50-60Hz	1
2	<u>VT0007683</u>	Transformer	380-415V / 230V / 50-60Hz	1
2	<u>VT0007686</u>	Transformer	440-480V/48V / 50-60Hz	1
2	<u>VT0007687</u>	Transformer	440-480V/110V-115V / 50-60Hz	1
2	<u>VT0007688</u>	Transformer	500-525V/48V / 50-60Hz	1
2	<u>VT0007689</u>	Transformer	500-525V/110V-115V / 50-60Hz	1
2	<u>VT0007690</u>	Transformer	500-525V/230V / 50-60Hz	1
2	<u>VT0007691</u>	Transformer	575V / 48V / 50-60Hz	1
2	<u>VT0007692</u>	Transformer	575V / 115V / 50-60Hz	1
2	<u>VT0007693</u>	Transformer	690V / 48V / 50-60Hz	1
2	<u>VT0007694</u>	Transformer	690V / 110-115V/ 50-60Hz	1
3	<u>VT0007706</u>	Fuses set	Control voltage 24V/48V	1
3	<u>VT0007707</u>	Fuses set	Control voltage 110V/115V	1
3	<u>VT0007306</u>	Fuses set	Control voltage 230V	1
4	<u>VT0005108</u>	Pendant connector	14P	1
5	<u>VT0006661</u>	Linking cable	230V / 24V / 50-60Hz	1
5	<u>VT0008550</u>	GLS cable	Quantity: 2 for 2 steps or 4 for 4 steps	1
6	<u>VT0006662</u>	Linking cable	230V / 24V / 50-60Hz – Wire harness	1
7	<u>VT0006663</u>	Linking cable	230V / 24V / 50-60Hz	1
8	<u>VT0006664</u>	Linking cable	208V-690V / 50-60Hz	1

Solo equipment – Standard (suite)

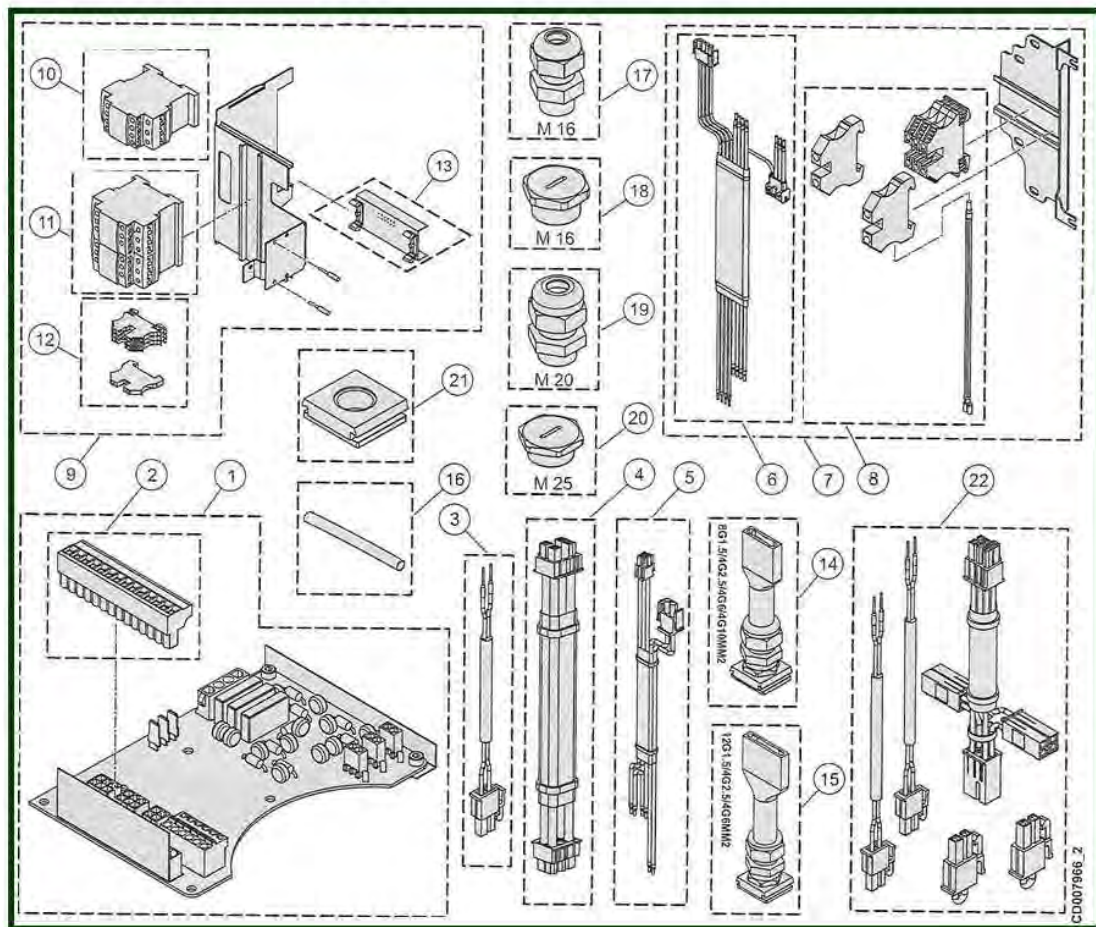
Item	Reference	Description	Observation	Quantity
9	<u>VT0008062</u>	PC board ON/OFF	208-690V / 50-60Hz / 24V	1
9	<u>VT0006734</u>	PC board ON/OFF	208-690V / 50-60Hz / 48V	1
9	<u>VT0008061</u>	PC board ON/OFF	208-690V / 50-60Hz / 115V	1
9	<u>VT0008063</u>	PC board ON/OFF	208-690V / 50-60Hz / 230V	1
10	<u>VT0007696</u>	Contactor ON/OFF	24V	1
10	<u>VT0006731</u>	Contactor ON/OFF	48V	1
10	<u>VT0007697</u>	Contactor ON/OFF	110V	1
10	<u>VT0007698</u>	Contactor ON/OFF	230V	1
11	<u>VT0007708</u>	Terminal block set		1
12	<u>VT0008067</u>	Electrical board - 2HS	208-230V / 48V / 50-60Hz	1
12	<u>VT0008068</u>	Electrical board - 2HS	208-230V / 110-115V / 50-60Hz	1
12	<u>VT0008064</u>	Electrical board - 2HS	380-690V / 24V / 50-60Hz	1
12	<u>VT0006735</u>	Electrical board - 2HS	380-690V / 48V / 50-60Hz	1
12	<u>VT0008065</u>	Electrical board - 2HS	380-690V / 110-115V / 50-60Hz	1
12	<u>VT0008066</u>	Electrical board - 2HS	380-690V / 230V / 50-60Hz	1
13	<u>VT0008069</u>	Selector contactor	208-230V / 48V / 50-60Hz	1
13	<u>VT0008070</u>	Selector contactor	208-230V / 110V / 50-60Hz	1
13	<u>VT0006737</u>	Selector contactor	380-690V / 48V / 50-60Hz	1
13	<u>VT0006740</u>	Selector contactor	380-690V / 110-115V / 50-60Hz	1
13	<u>VT0006741</u>	Selector contactor	380-690V / 230V / 50-60Hz	1
13	<u>VT0006736</u>	Selector contactor	380V-690V/24V / 50-60Hz	1
14	<u>VT0006742</u>	Reversing contactor	380-690V / 24V / 50-60Hz	1
14	<u>VT0008071</u>	Reversing contactor	380-690V / 48V / 50-60Hz	1
14	<u>VT0006744</u>	Reversing contactor	380-690V / 110-115V / 50-60Hz	1
14	<u>VT0006745</u>	Reversing contactor	380-690V / 230V / 50-60Hz	1
14	<u>VT0006743</u>	Selector contactor	380-690V / 48V / 50-60Hz	1
14	<u>VT0007704</u>	Selector contactor	380-690V / 110V-115V / 50-60Hz	1
15	<u>VT0007709</u>	Terminal block set		1
16	<u>VT0006732</u>	Terminal block set	230V / 24 - 50/60Hz	1
17	<u>VT0006191</u>	Fuses base		1
18	<u>VT0006393</u>	Cable gland set Square cable entry	CG M20- ISO 20 Trolley - Power supply	1
19	<u>VT0005090</u>	Cable gland set Square cable entry	Push button	1
20	<u>VT0006640</u>	Cable gland	M16	1

Solo equipment – Standard

Item	Reference	Description	Observation	Quantity
21	<u>VT0006641</u>	End cap	M16	1
22	<u>VT0004924</u>	Cable gland	M20	1
23	<u>VT0006643</u>	End cap	M25	1
24	<u>VT0006089</u>	End cap Square cable entry		1
25	<u>VT0008551</u>	Set of connection GLS	FDC MS +GLS	1
-	<u>VT0006967</u>	Time counter		1



## 5.2. Equipment for crane kit





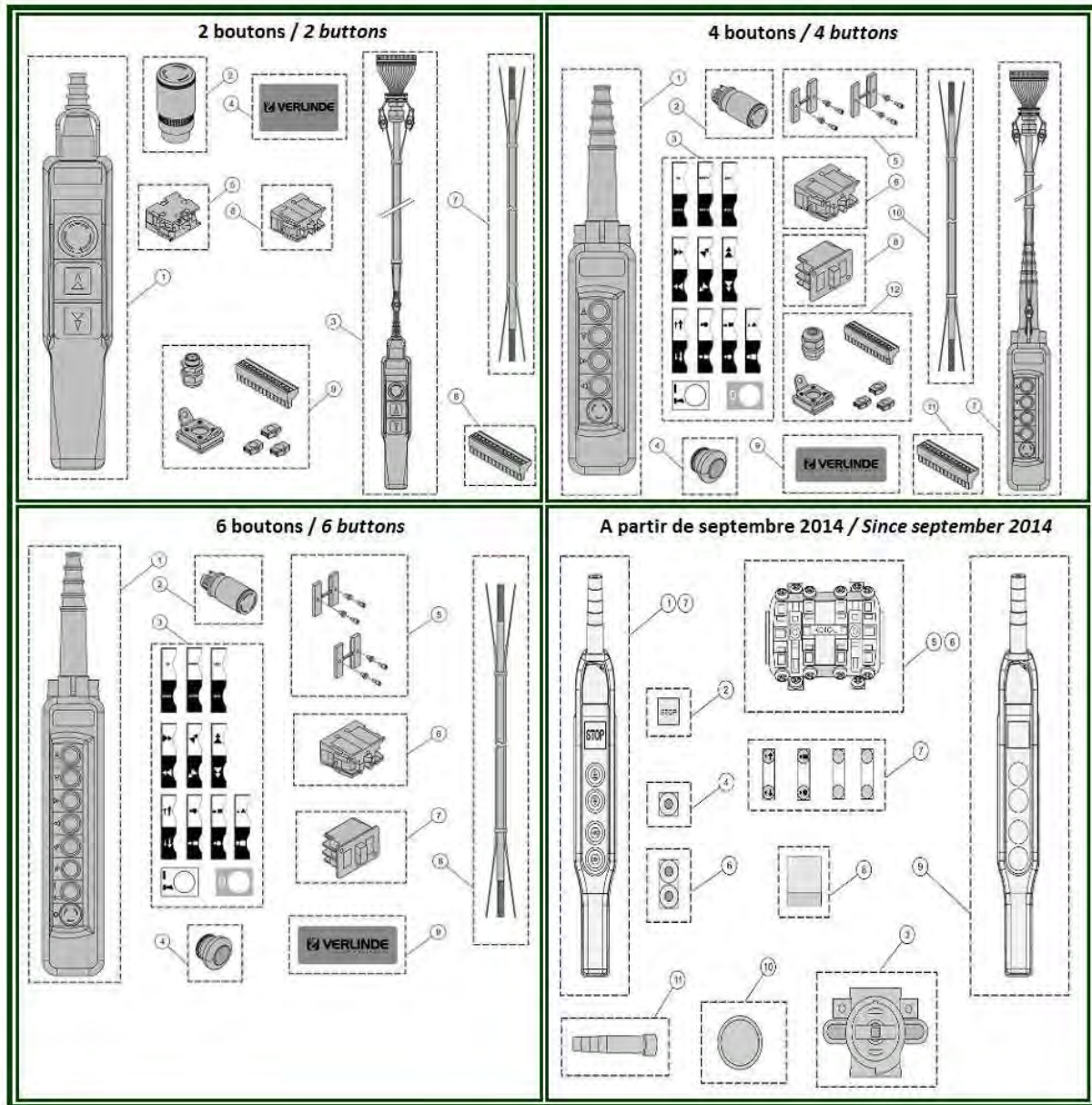
## Equipment for crane kit

Item	Reference	Description	Observation	Quantity
1	<u>VT0008072</u>	CI board - Crane	208V 600V / 50-60Hz	1
2	<u>VT0005108</u>	Pendant connector	14P	1
3	<u>VT0006661</u>	Linking cable	230V / 24V / 50-60Hz	1
3	<u>VT0008550</u>	GLS cable	Quantity: 2 for 2 steps or 4 for 4 steps	1
4	<u>VT0006662</u>	Linking cable	230V / 24V / 50-60Hz – Wire harness	1
5	<u>VT0006663</u>	Linking cable	230V / 24V / 50-60Hz	1
6	<u>VT0006664</u>	Linking cable	208V-690V / 50-60Hz	1
7	<u>VT0007661</u>	PC board Power connection	208V-690V / 50-60Hz	1
8	<u>VT0007708</u>	Terminal block set		1
9	<u>VT0008067</u>	Electrical board - 2HS	208-230V / 48V / 50-60Hz	1
9	<u>VT0008068</u>	Electrical board - 2HS	208-230V / 110-115V / 50-60Hz	1
9	<u>VT0008064</u>	Electrical board - 2HS	380-690V / 24V / 50-60Hz	1
9	<u>VT0006735</u>	Electrical board - 2HS	380-690V / 48V / 50-60Hz	1
9	<u>VT0008065</u>	Electrical board - 2HS	380-690V / 110-115V / 50-60Hz	1
9	<u>VT0008066</u>	Electrical board - 2HS	380-690V / 230V / 50-60Hz	1
10	<u>VT0008069</u>	Selector contactor	208-230V / 48V / 50-60Hz	1
10	<u>VT0008070</u>	Selector contactor	208-230V / 110V / 50-60Hz	1
10	<u>VT0006737</u>	Selector contactor	380-690V / 48V / 50-60Hz	1
10	<u>VT0006740</u>	Selector contactor	380-690V / 110-115V / 50-60Hz	1
10	<u>VT0006741</u>	Selector contactor	380-690V / 230V / 50-60Hz	1
10	<u>VT0006736</u>	Selector contactor	380V-690V/24V / 50-60Hz	1
11	<u>VT0006742</u>	Reversing contactor	380-690V / 24V / 50-60Hz	1
11	<u>VT0008071</u>	Reversing contactor	380-690V / 48V / 50-60Hz	1
11	<u>VT0006744</u>	Reversing contactor	380-690V / 110-115V / 50-60Hz	1
11	<u>VT0006745</u>	Reversing contactor	380-690V / 230V / 50-60Hz	1
11	<u>VT0006743</u>	Selector contactor	380-690V / 48V / 50-60Hz	1
11	<u>VT0007704</u>	Selector contactor	380-690V / 110V-115V / 50-60Hz	1
12	<u>VT0007709</u>	Terminal block set		1
13	<u>VT0006732</u>	Terminal block set	230V / 24 - 50/60Hz	1
14	<u>VT0007780</u>	Cable gland set Square cable entry	8G1.5/4G2.5/4G6/4G10mm2	1
15	<u>VT0006454</u>	Cable gland set flat cable Square cable entry	12G1.5/4G2.5/4G6mm2 - ISO 25	1

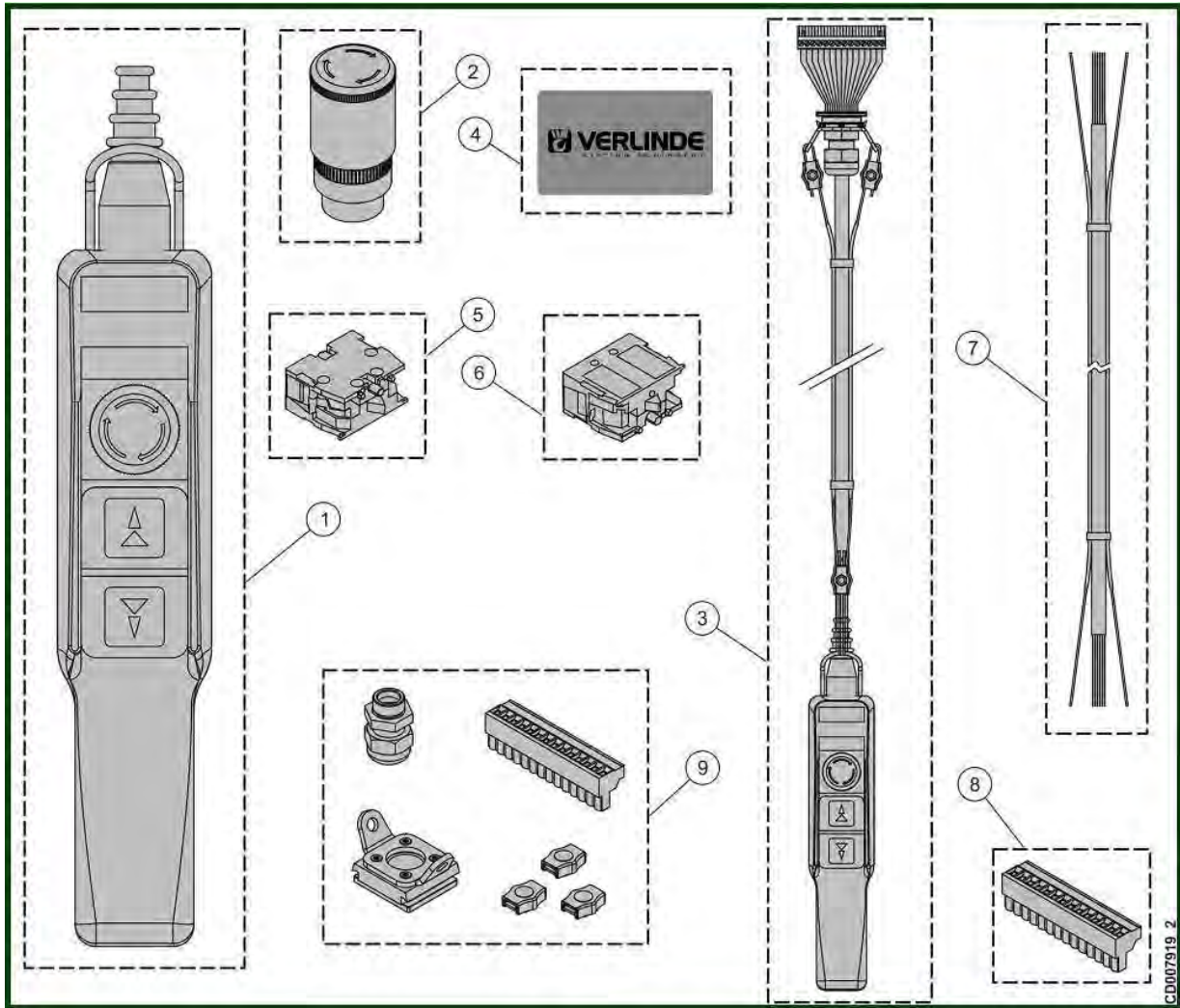
## Equipment for crane kit

Item	Reference	Description	Observation	Quantity
16	<u>VT0007781</u>	Head shrinkable tube		1
17	<u>VT0006640</u>	Cable gland	M16	1
18	<u>VT0006641</u>	End cap	M16	1
19	<u>VT0004924</u>	Cable gland	M20	1
20	<u>VT0006643</u>	End cap	M25	1
21	<u>VT0006089</u>	End cap - Square cable entry		1
22	<u>VT0008551</u>	Set of connection GLS	FDC MS +GLS	1
-	<u>VT0006967</u>	Time counter		1

## 6. PUSH BUTTON CONTROLLER



6.1. 2 buttons



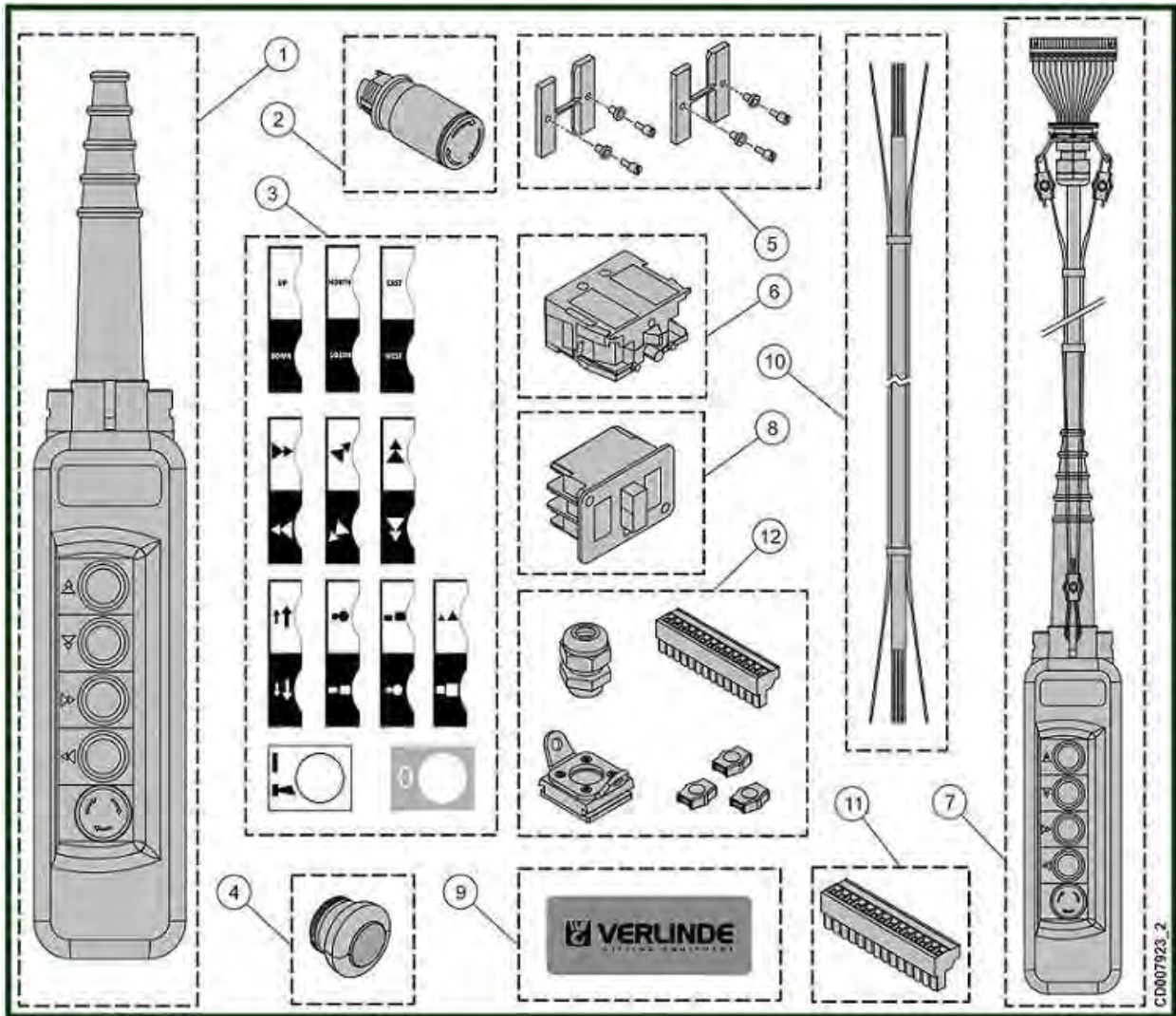
CD007919\_2

## 2 buttons

Item	Reference	Description	Observation	Quantity
1	<u>VT0005061</u>	Pendant controller - 2HS+ES	Yellow	1
2	<u>VT0006547</u>	Emergency push button		1
3	<u>VT0005612</u>	Pendant with cable - 2HS+ES	2,2 m - Yellow - CE	1
3	<u>VT0005613</u>	Pendant with cable - 2HS+ES	2,7 m - Yellow - CE	1
3	<u>VT0005614</u>	Pendant with cable - 2HS+ES	3,2 m - Yellow - CE	1
3	<u>VT0005615</u>	Pendant with cable - 2HS+ES	3,7 m - Yellow - CE	1
3	<u>VT0005616</u>	Pendant with cable - 2HS+ES	4,2 m - Yellow - CE	1
3	<u>VT0005617</u>	Pendant with cable - 2HS+ES	4,7 m - Yellow - CE	1
3	<u>VT0005618</u>	Pendant with cable - 2HS+ES	5,2 m - Yellow - CE	1
3	<u>VT0005619</u>	Pendant with cable - 2HS+ES	5,7 m - Yellow - CE	1
4	<u>VT0007837</u>	Branding sticker	VERLINDE	1
5	<u>VT0005064</u>	Bloc contact	ZB2-BE101	1
6	<u>VT0005066</u>	Block contact	ZB2-BE 102	1
7	<u>VT0006746</u>	Cable	5x1,5 mm2 - CE	1
8	<u>VT0005108</u>	Pendant connector	14P	1
9	<u>VT0007583</u>	Pendant plug set	ISO	1



6.2. 4 buttons



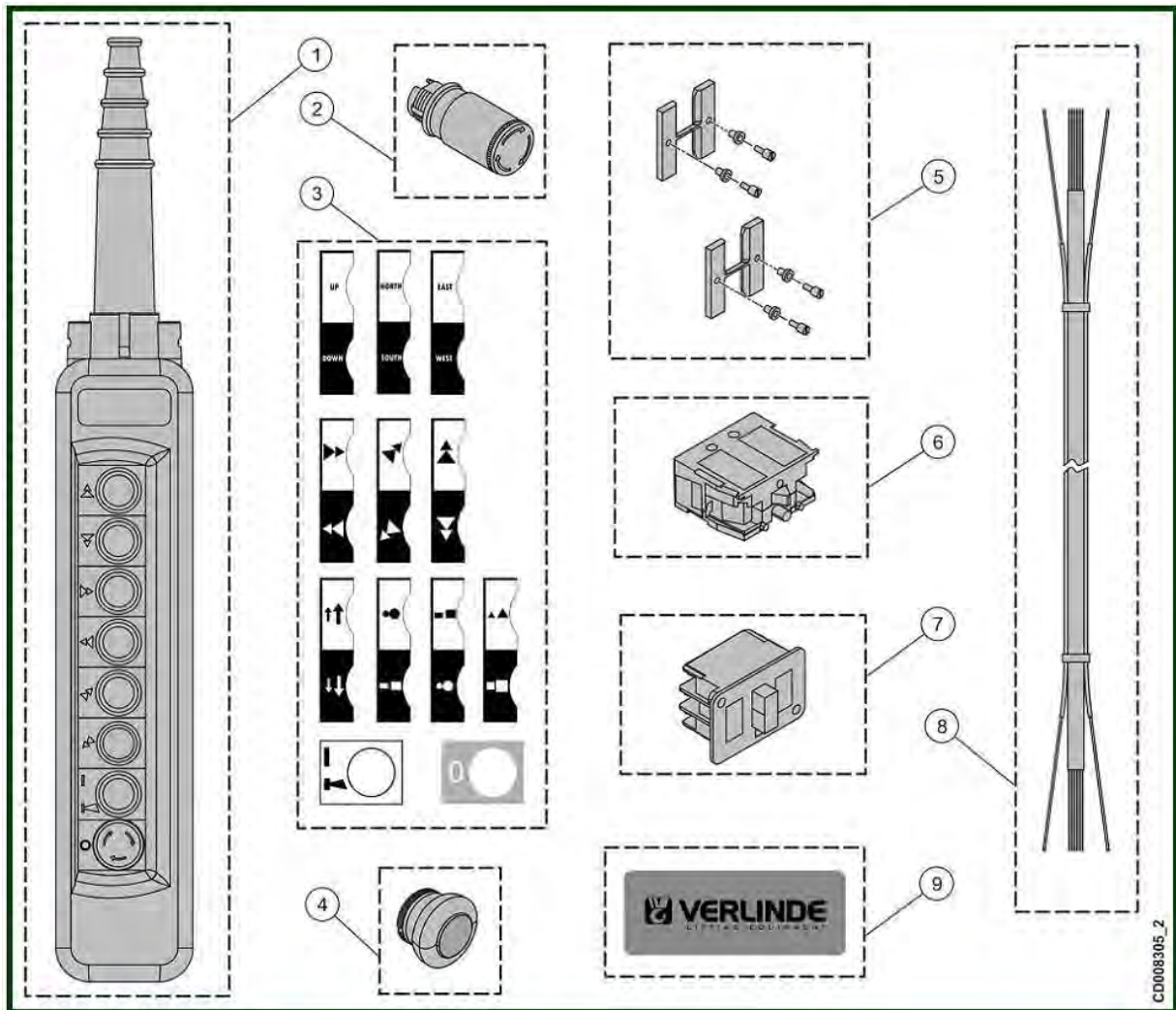
CD007923\_2



#### 4 BUTTONS

Item	Reference	Description	Observation	Quantity
1	<u>VT0005055</u>	Push button 2HS+2TS+ES	Yellow	1
2	<u>VT0006548</u>	Emergency push button		1
3	<u>VT0007882</u>	Set of direction symbols		1
4	<u>VT0005063</u>	Push button		1
5	<u>VT0005072</u>	Mechanical interlock		2
6	<u>VT0005066</u>	Block contact	ZB2-BE 102	1
7	<u>VT0006059</u>	Pendant with cable 2HS+2TS+ES	4,2 m - Yellow	1
7	<u>VT0006060</u>	Pendant with cable 2HS+2TS+ES	4,7 m - Yellow	1
7	<u>VT0006061</u>	Pendant with cable 2HS+2TS+ES	5,2 m - Yellow	1
7	<u>VT0006062</u>	Pendant with cable 2HS+2TS+ES	5,7 m - Yellow	1
7	<u>VT0006055</u>	Pendant with cable 2HS+2TS+ES	2,2 m - Yellow	1
7	<u>VT0006056</u>	Pendant with cable 2HS+2TS+ES	2,7 m - Yellow	1
7	<u>VT0006057</u>	Pendant with cable 2HS+2TS+ES	3,2 m - Yellow	1
7	<u>VT0006058</u>	Pendant with cable 2HS+2TS+ES	3,7 m - Yellow	1
8	<u>VT0007879</u>	Block contact	XENG1191	1
9	<u>VT0007880</u>	Branding sticker	VERLINDE	1
10	<u>VT0006747</u>	Cable - 8x1,5mm <sup>2</sup>	meter	1
11	<u>VT0005108</u>	Pendant connector	14P	1
12	<u>VT0007583</u>	Pendant plug set	ISO	1

6.3. 6 buttons



CD008305\_2

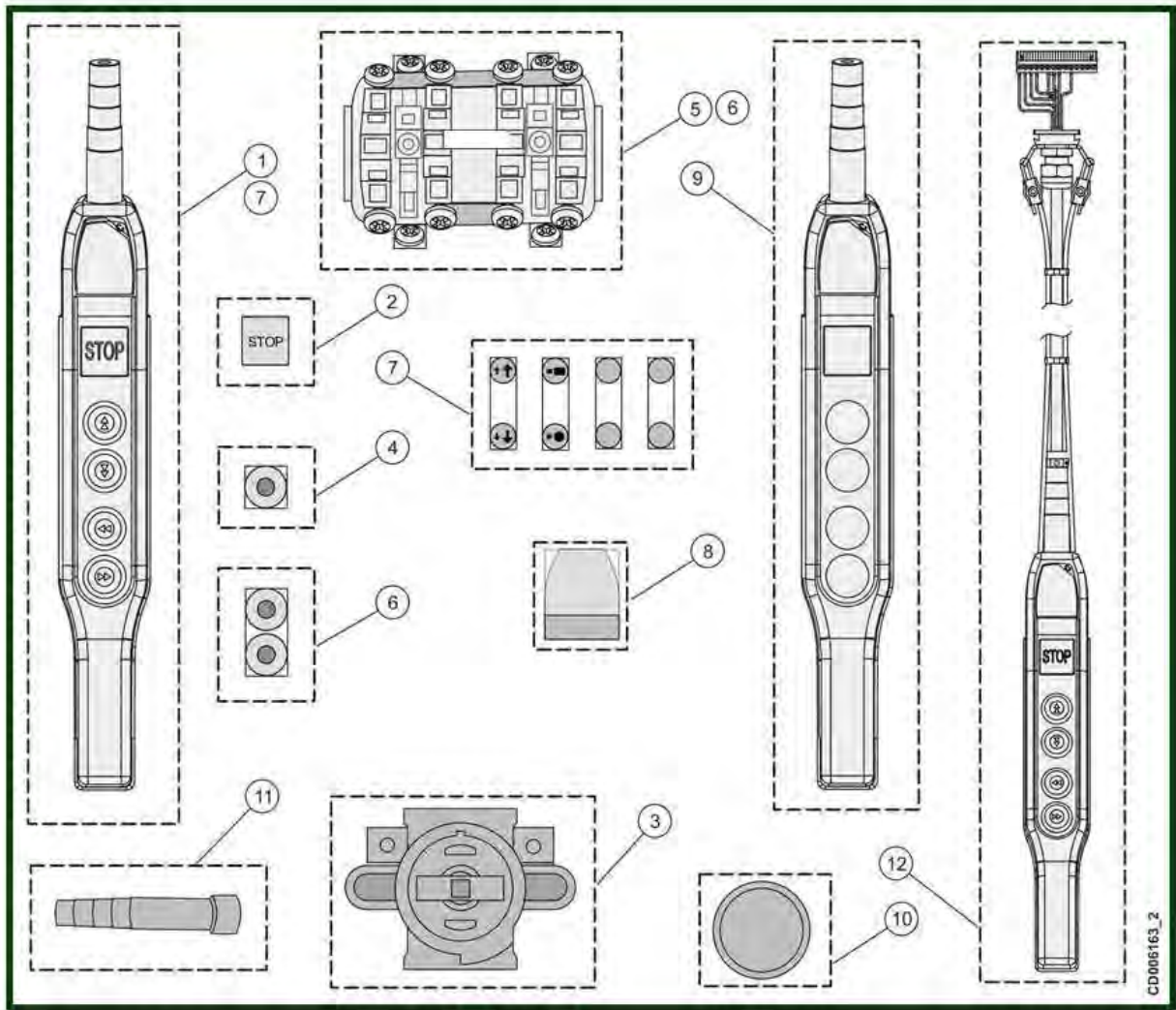
## 6 buttons

Item	Reference	Description	Observation	Quantity
1	<u>VT0006495</u>	Push button - 2HS+2TS+ES	Yellow - 4 buttons	1
1	<u>VT0006493</u>	Push button - 2HS+ES	Yellow - 2 buttons	1
2	<u>VT0006509</u>	Emergency push button		1
3	<u>VT0006510</u>	Emergency stop contact block		1
4	<u>VT0006511</u>	Rubber push button		1
5	<u>VT0006513</u>	Contact block	2 speeds	1
6	<u>VT0006514</u>	Set of 2 push buttons + contact block		1
7	<u>VT0006754</u>	Stickers - Direction symbols	ANSI	1
7	<u>VT0006752</u>	Stickers - Direction symbols	DIN	1
7	<u>VT0006753</u>	Stickers - Direction symbols	FIN-SEN	1
8	<u>VT0006496</u>	Branding sticker	VERLINDE	1
9	<u>VT0006515</u>	Pendant housing	Yellow - 2 buttons	1
9	<u>VT0006518</u>	Pendant housing	Yellow - 4 buttons	1
10	<u>VT0006517</u>	Magnet		1
10	<u>VT0006516</u>	End cap caoutchouc		1
11	<u>VT0007032</u>	Cable bushing		1
12	<u>VT0006958</u>	Push buttons box + cable + plug 2HS+ES	2,20 m - Yellow - DIN	1
12	<u>VT0006951</u>	Push buttons box + cable + plug 2HS+ES	2,70 m - Yellow - DIN	1
12	<u>VT0006952</u>	Push buttons box + cable + plug 2HS+ES	3,20 m - Yellow - DIN	1
12	<u>VT0006953</u>	Push buttons box + cable + plug 2HS+ES	3,70 m - Yellow - DIN	1
12	<u>VT0006954</u>	Push buttons box + cable + plug 2HS+ES	4,20 m - Yellow - DIN	1
12	<u>VT0006955</u>	Push buttons box + cable + plug 2HS+ES	4,70 m - Yellow - DIN	1
12	<u>VT0006956</u>	Push buttons box + cable + plug 2HS+ES	5,20 m - Yellow - DIN	1
12	<u>VT0006957</u>	Push buttons box + cable + plug 2HS+ES	5,70 m - Yellow - DIN	1

## 6 buttons

Item	Reference	Description	Observation	Quantity
13	<u>VT0006959</u>	Push buttons box + cable + plug 2HS+2TS+ES	2,20 m - Yellow - DIN	1
13	<u>VT0006966</u>	Push buttons box + cable + plug 2HS+2TS+ES	2,70 m - Yellow - DIN	1
13	<u>VT0006960</u>	Push buttons box + cable + plug 2HS+2TS+ES	3,20 m - Yellow - DIN	1
13	<u>VT0006961</u>	Push buttons box + cable + plug 2HS+2TS+ES	3,70 m - Yellow - DIN	1
13	<u>VT0006962</u>	Push buttons box + cable + plug 2HS+2TS+ES	4,20 m - Yellow - DIN	1
13	<u>VT0006963</u>	Push buttons box + cable + plug 2HS+2TS+ES	4,70 m - Yellow - DIN	1
13	<u>VT0006964</u>	Push buttons box + cable + plug 2HS+2TS+ES	5,20 m - Yellow - DIN	1
13	<u>VT0006965</u>	Push buttons box + cable + plug 2HS+2TS+ES	5,70 m - Yellow - DIN	1

6.4. Push button controller - From september 2014



Push button controller - From september 2014

Item	Reference	Description	Observation	Quantity
1	<u>VT0006495</u>	Push button - 2HS+2TS+ES	Yellow - 4 buttons	1
1	<u>VT0006493</u>	Push button - 2HS+ES	Yellow - 2 buttons	1
2	<u>VT0006509</u>	Emergency push button		1
3	<u>VT0006510</u>	Emergency stop contact block		1
4	<u>VT0006511</u>	Rubber push button		1
5	<u>VT0006513</u>	Contact block	2 speeds	1
6	<u>VT0006514</u>	Set of 2 push buttons + contact block		1
7	<u>VT0006754</u>	Stickers - Direction symbols	ANSI	1
7	<u>VT0006752</u>	Stickers - Direction symbols	DIN	1
7	<u>VT0006753</u>	Stickers - Direction symbols	FIN-SEN	1
8	<u>VT0006496</u>	Branding sticker	VERLINDE	1
9	<u>VT0006515</u>	Pendant housing	Yellow - 2 buttons	1
9	<u>VT0006518</u>	Pendant housing	Yellow - 4 buttons	1
10	<u>VT0006517</u>	Magnet		1
10	<u>VT0006516</u>	End cap caoutchouc		1
11	<u>VT0007032</u>	Cable bushing		1
12	<u>VT0006958</u>	Push buttons box + cable + plug 2HS+ES	2,20 m - Yellow - DIN	1
12	<u>VT0006951</u>	Push buttons box + cable + plug 2HS+ES	2,70 m - Yellow - DIN	1
12	<u>VT0006952</u>	Push buttons box + cable + plug 2HS+ES	3,20 m - Yellow - DIN	1
12	<u>VT0006953</u>	Push buttons box + cable + plug 2HS+ES	3,70 m - Yellow - DIN	1
12	<u>VT0006954</u>	Push buttons box + cable + plug 2HS+ES	4,20 m - Yellow - DIN	1
12	<u>VT0006955</u>	Push buttons box + cable + plug 2HS+ES	4,70 m - Yellow - DIN	1
12	<u>VT0006956</u>	Push buttons box + cable + plug 2HS+ES	5,20 m - Yellow - DIN	1
12	<u>VT0006957</u>	Push buttons box + cable + plug 2HS+ES	5,70 m - Yellow - DIN	1

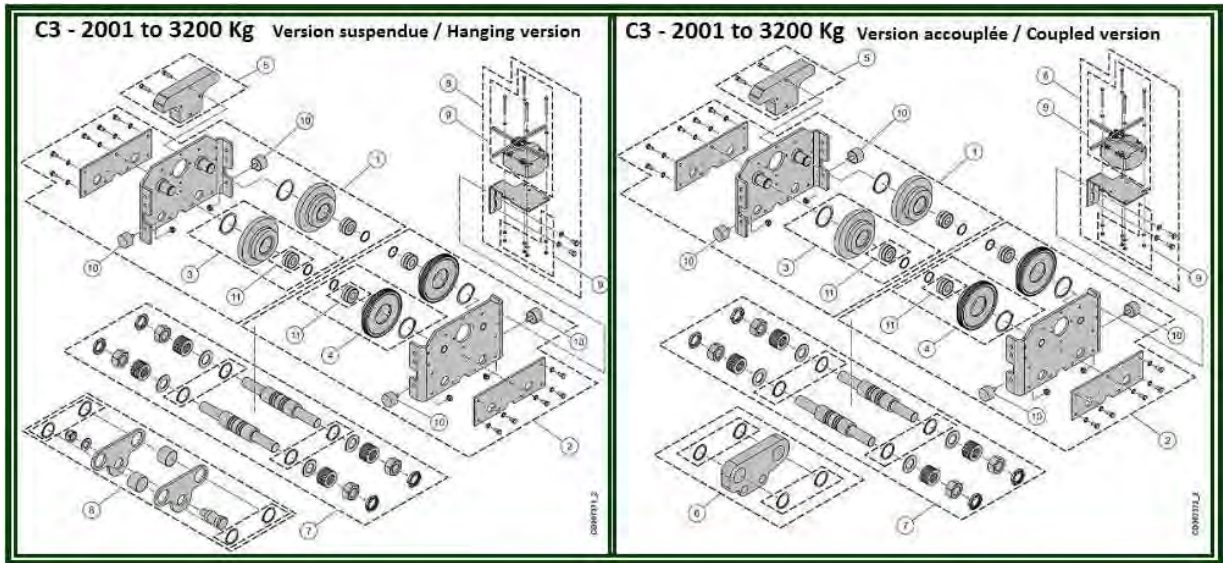


Push button controller - From september 2014

Item	Reference	Description	Observation	Quantity
13	<u>VT0006959</u>	Push buttons box + cable + plug 2HS+2TS+ES	2,20 m - Yellow - DIN	1
13	<u>VT0006966</u>	Push buttons box + cable + plug 2HS+2TS+ES	2,70 m - Yellow - DIN	1
13	<u>VT0006960</u>	Push buttons box + cable + plug 2HS+2TS+ES	3,20 m - Yellow - DIN	1
13	<u>VT0006961</u>	Push buttons box + cable + plug 2HS+2TS+ES	3,70 m - Yellow - DIN	1
13	<u>VT0006962</u>	Push buttons box + cable + plug 2HS+2TS+ES	4,20 m - Yellow - DIN	1
13	<u>VT0006963</u>	Push buttons box + cable + plug 2HS+2TS+ES	4,70 m - Yellow - DIN	1
13	<u>VT0006964</u>	Push buttons box + cable + plug 2HS+2TS+ES	5,20 m - Yellow - DIN	1
13	<u>VT0006965</u>	Push buttons box + cable + plug 2HS+2TS+ES	5,70 m - Yellow - DIN	1

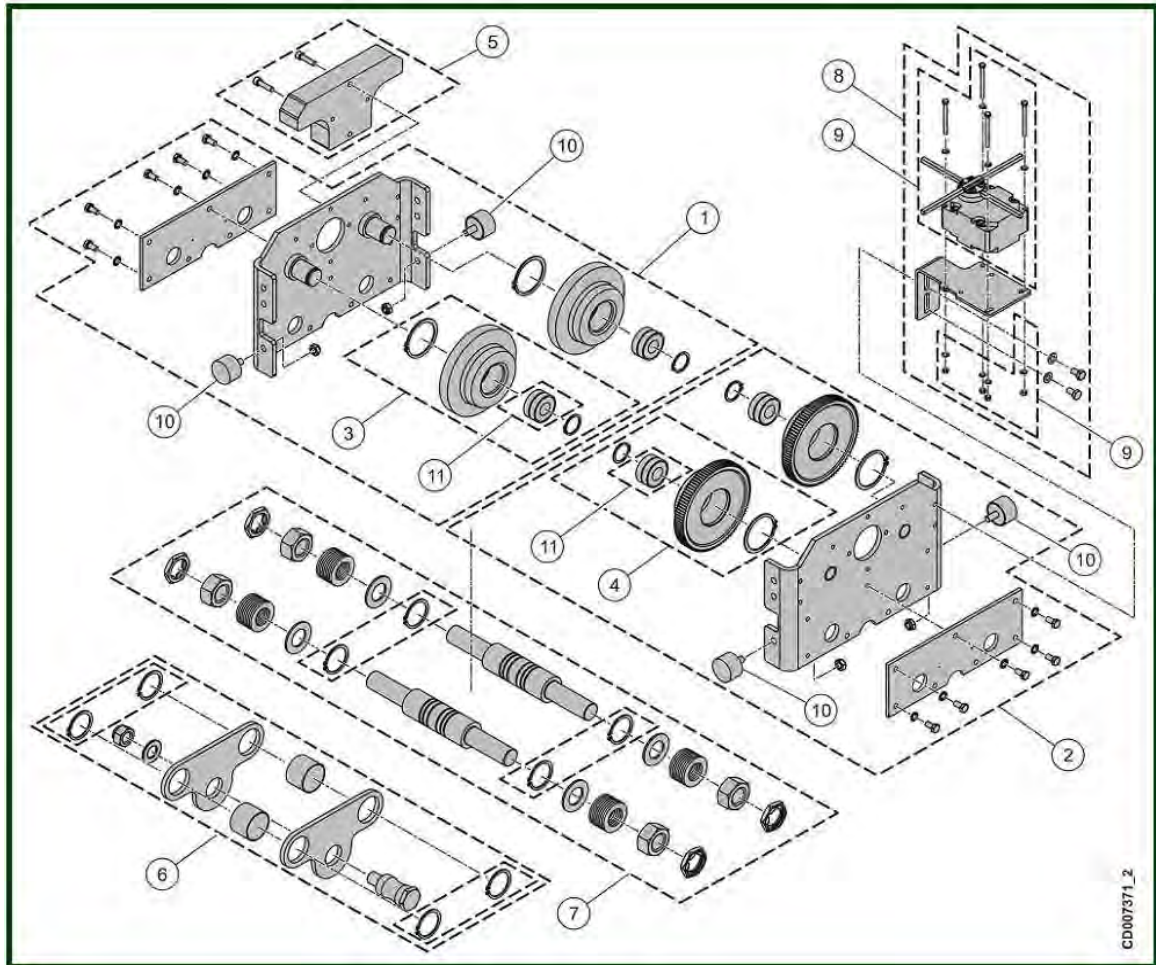
# 7. NORMAL HEADROOM TROLLEY

NHT



7.1. C3 trolley - 2001 to 3200 kg - Hanging version

NHT



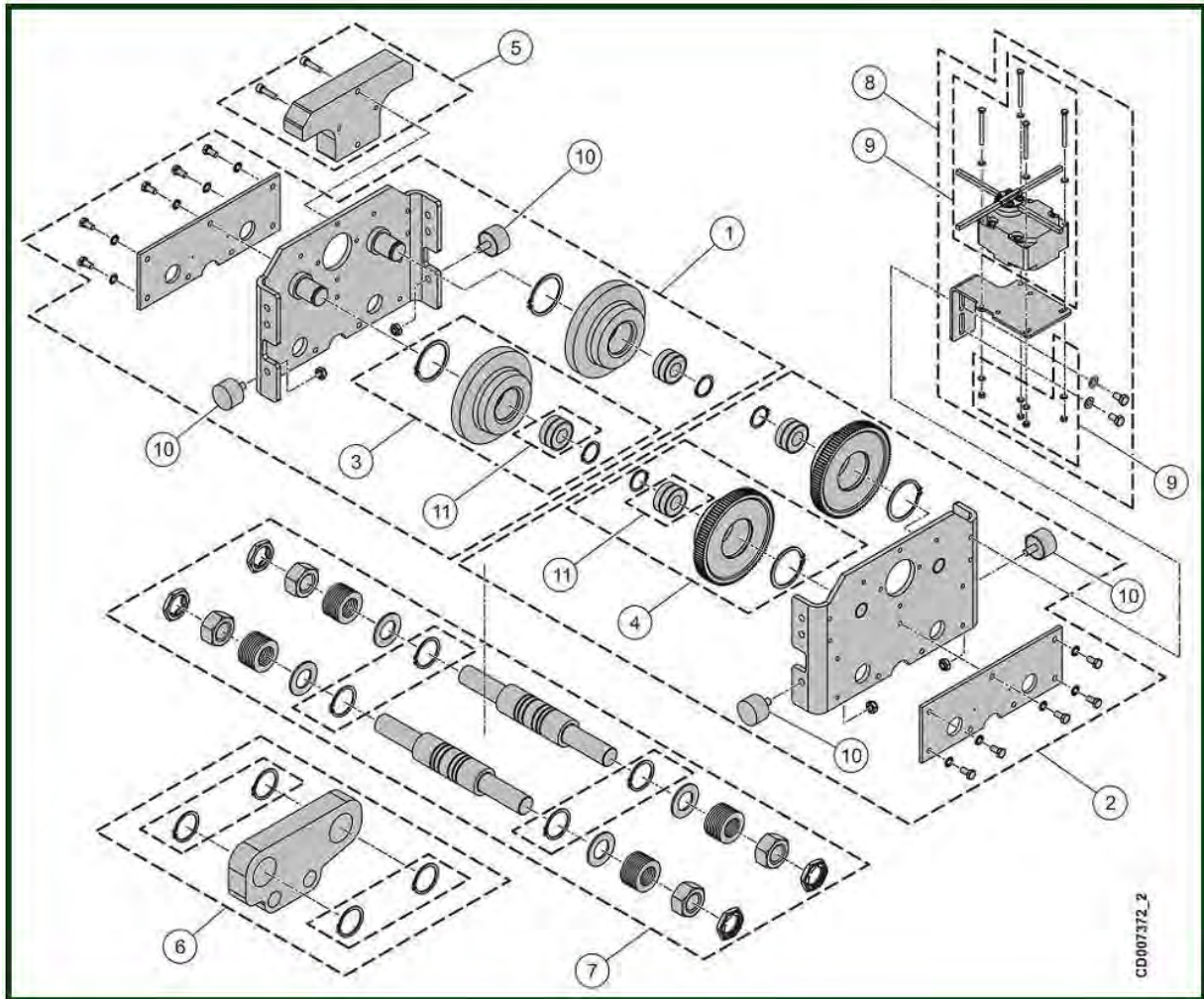
C3 trolley- 2001 TO 3200 kg - Hanging version

NHT

Item	Reference	Description	Observation	Quantity
1	<u>VT0007092</u>	Idler side plate assembly		1
2	<u>VT0007093</u>	Drive side plate assembly		1
3	<u>VT0008782</u>	Travel wheel idler without shaft		1
4	<u>VT0008783</u>	Driving wheel without shaft		1
5	<u>VT0008837</u>	Set of counterweight		1
6	<u>VT0007094</u>	Joint part	Hanging version	1
7	<u>VT0007040</u>	Tie rod set beam - 82 to 137 mm	Monobloc tie road since 1999	1
7	<u>VT0007041</u>	Tie rod set beam - 140 to 190 mm	Monobloc tie road since 1999	1
7	<u>VT0007042</u>	Tie rod set beam - 198 to 248 mm	Monobloc tie road since 1999	1
7	<u>VT0007043</u>	Tie rod set beam - 260 to 310 mm	Monobloc tie road since 1999	1
7	<u>VT0008785</u>	Tie rod set beam - 311 to 350 mm	Monobloc tie road since 1999	1
8	<u>VT0007098</u>	Limit switch - 1 step		1
8	<u>VT0008775</u>	Limit switch - 2 steps		1
9	<u>VT0008776</u>	Travelling limit switch assembly - 1 step		1
9	<u>VT0008777</u>	Travelling limit switch assembly - 2 steps		1
10	<u>VT0007088</u>	Rubber buffer	40X20 M10	1
11	<u>VT0008786</u>	Ball bearing	C3	1

7.2. C3 trolley - 2001 to 3200 kg - Coupled version

NHT



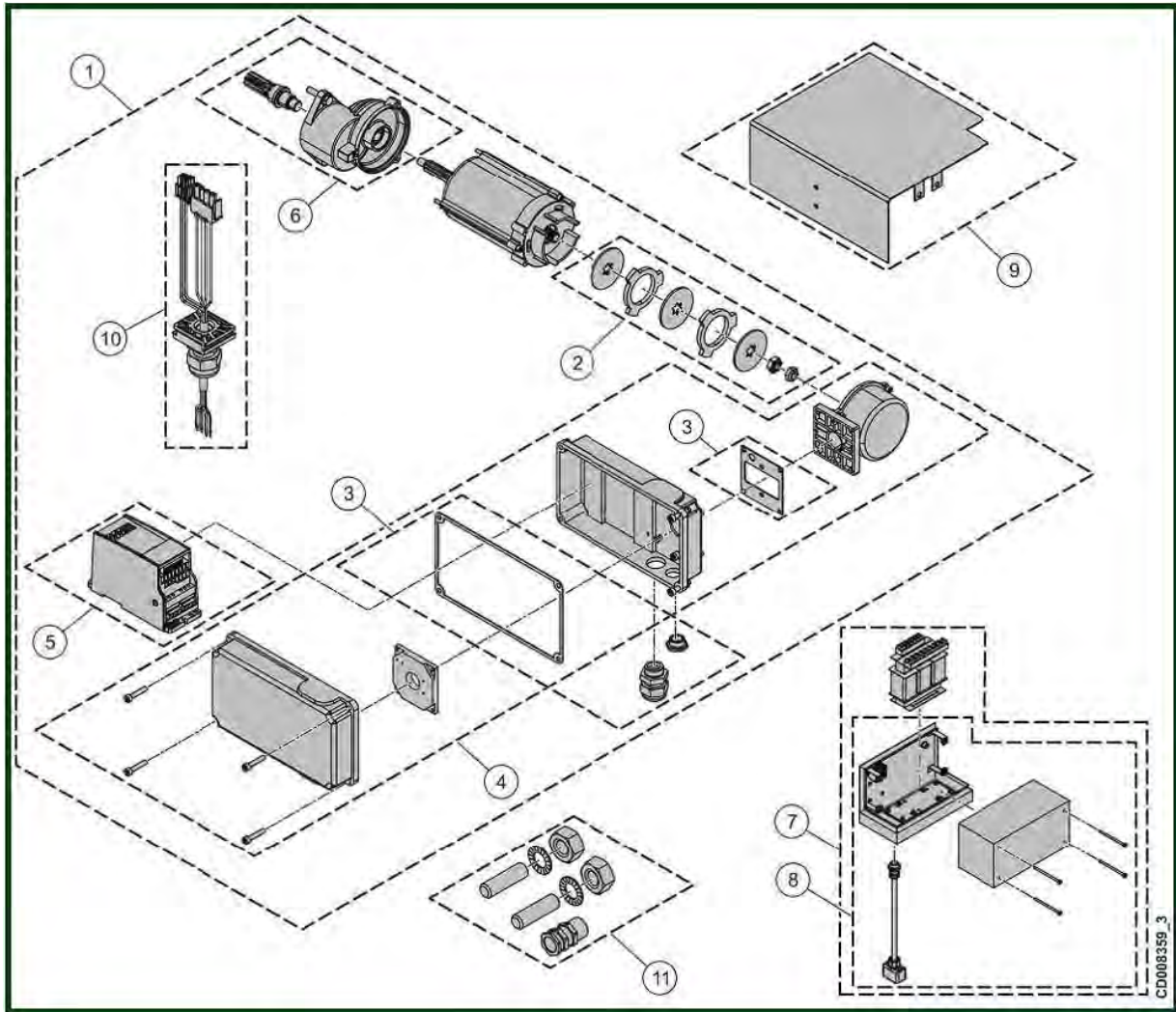
C3 trolley - 2001 à 3200 kg - Coupled version

NHT

Item	Reference	Description	Observation	Quantity
1	<u>VT0007092</u>	Idler side plate assembly		1
2	<u>VT0007093</u>	Drive side plate assembly		1
3	<u>VT0008782</u>	Travel wheel idler without shaft		1
4	<u>VT0008783</u>	Driving wheel without shaft		1
5	<u>VT0008837</u>	Set of counterweight		1
6	<u>VT0007714</u>	Joint part	Coupled version	1
7	<u>VT0007040</u>	Tie rod set beam - 82 to 137 mm	Monobloc tie road since 1999	1
7	<u>VT0007041</u>	Tie rod set beam - 140 to 190 mm	Monobloc tie road since 1999	1
7	<u>VT0007042</u>	Tie rod set beam - 198 to 248 mm	Monobloc tie road since 1999	1
7	<u>VT0007043</u>	Tie rod set beam - 260 to 310 mm	Monobloc tie road since 1999	1
7	<u>VT0008785</u>	Tie rod set beam - 311 to 350 mm	Monobloc tie road since 1999	1
8	<u>VT0007098</u>	Limit switch - 1 step		1
8	<u>VT0008775</u>	Limit switch - 2 steps		1
9	<u>VT0008776</u>	Travelling limit switch assembly - 1 step		1
9	<u>VT0008777</u>	Travelling limit switch assembly - 2 steps		1
10	<u>VT0007088</u>	Rubber buffer	40X20 M10	1
11	<u>VT0008786</u>	Ball bearing	C3	1

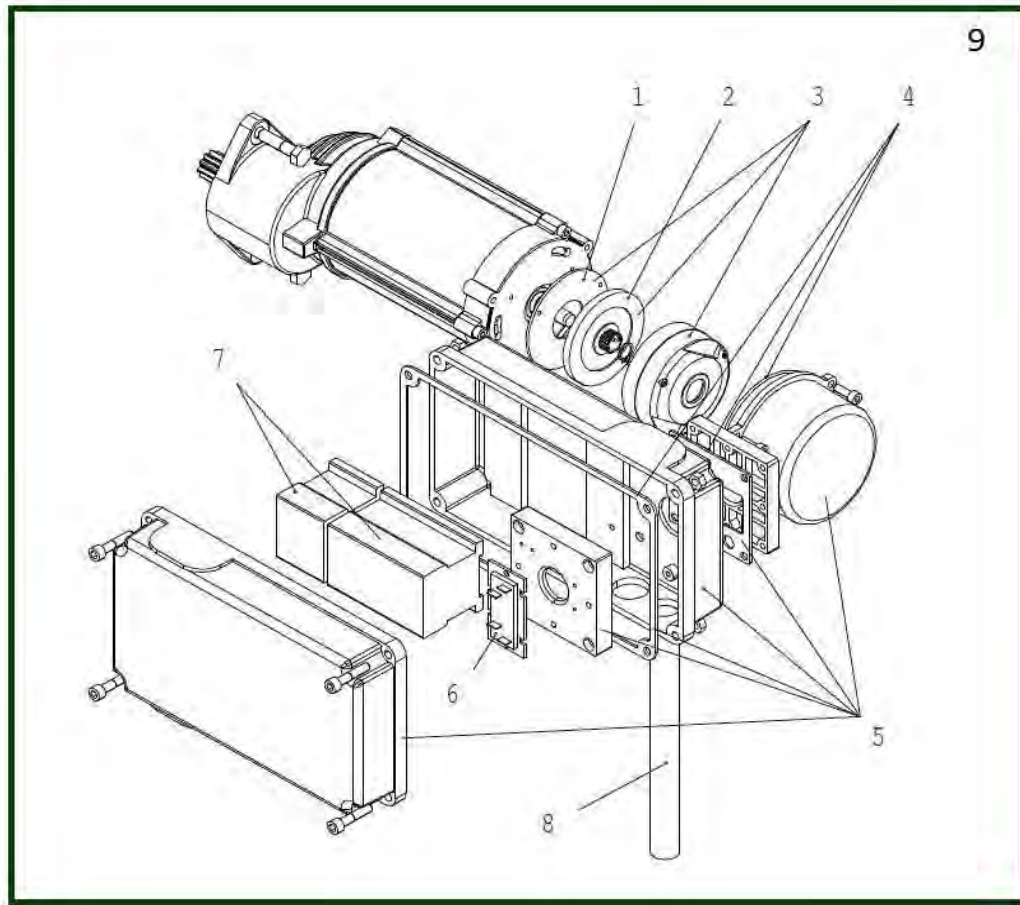


### 7.3. Inverter TMU motor



Item	Reference	Description	Observation	Quantity
1	52890308	Travelling machinery - TMU1	42-230V < 1000 Kg	1
1	52890306	Travelling machinery - TMU2	42-230V > 1000 Kg to 2000	1
2	52296293	Brake repair Set	M06-001V	1
3	52300292	Sealing set	M06-008V	1
4	52907130	Housing set (without vario)	M06-022V	1
5	52387783	Inverter VT003 TMK003.380 460V/ ctrl 42 230V	Since january 2015 for motor already equipped of this inverter	1
6	52297191	Gear	GEL105PT1B0	1
7	52303806	Control panel	T50E-TE07	1
8	53050878	Housing set	UKTM/ALTM-NEW	1
9	52305058	Rain cover	All models C1 to C5	1
10	53110165	Connection cable	TMU 1&2	1
11	52908158	Fixing set		1

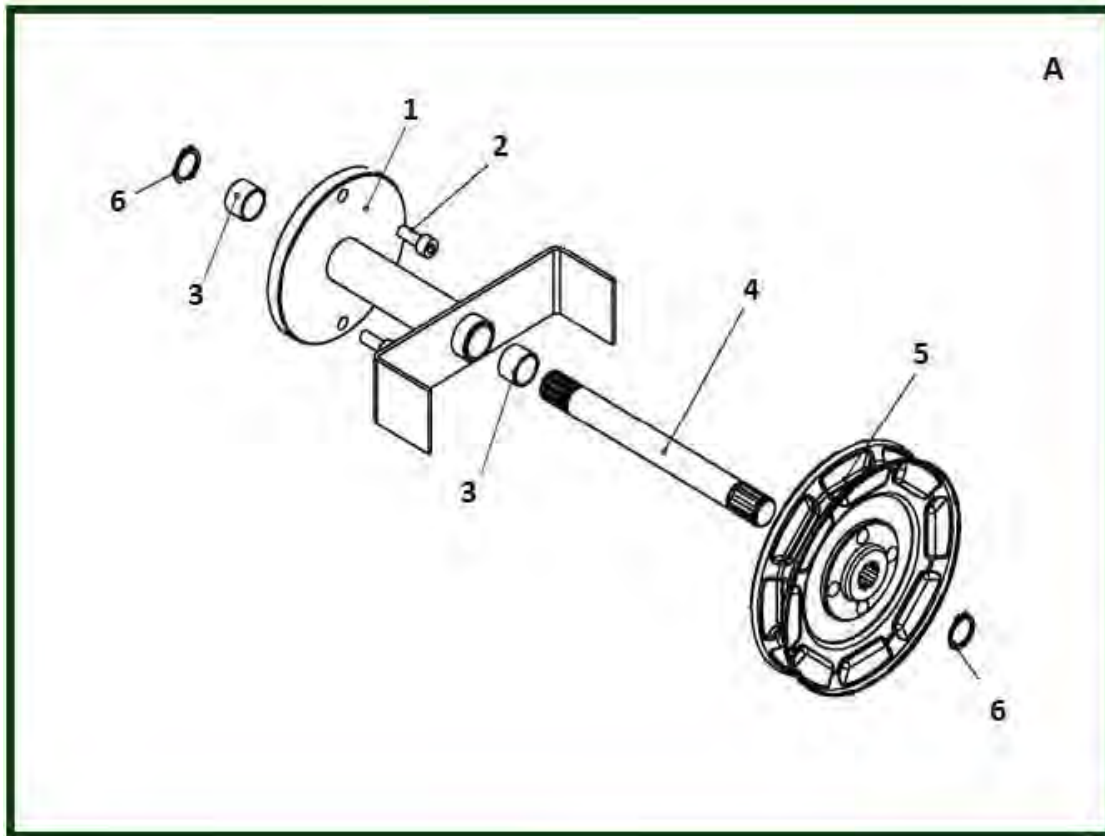
#### 7.4. Two speeds TMU motor



## Two speeds TMU motor

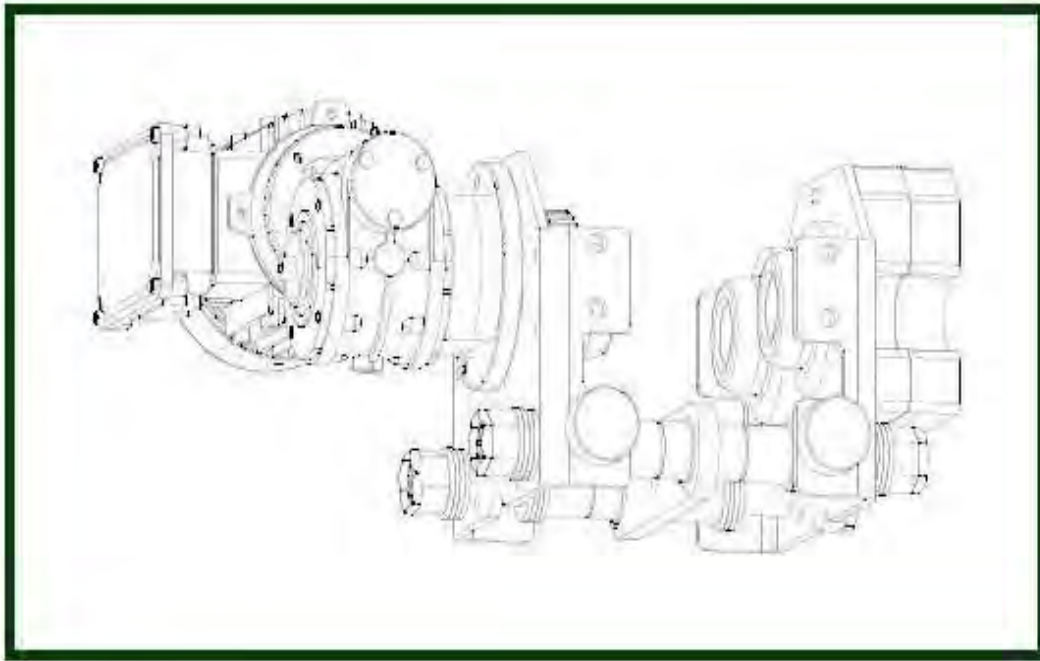
Item	Reference	Description	Observation	Quantity
1	<a href="#">52269590</a>	Friction plate		1
2	<a href="#">52269587</a>	Brake disc		1
3	<a href="#">52318378</a>	Brake disc - 180V	MF06MA104	1
3	<a href="#">52318416</a>	Brake disc - 240V	MF06MA104	1
3	<a href="#">52318424</a>	Brake disc - 290V	MF06MA104	1
4	<a href="#">52300292</a>	Sealing set	M06-008V	1
5	<a href="#">52300291</a>	Terminal box	M06-007V	1
6	<a href="#">15823007</a>	Rectifier	Motor220V	1
6	<a href="#">15823006</a>	Rectifier	Motor380 à 550V	1
7	<a href="#">1123052</a>	Reversing contactor	110V	1
7	<a href="#">1113097</a>	Reversing contactor	230V	1
7	<a href="#">1113023</a>	Reversing contactor 400V/48V - LC2ECO9E	LC2ECO9E (7531023V) Hoisting cross travelling	1
7	<a href="#">1113098</a>	Main contactor KAU	230 V 50/60 Hz	1
7	<a href="#">1113021</a>	Selector contactor	48V	1
7	<a href="#">1123050</a>	Selector contactor	110V	1
8	<a href="#">53243829</a>	Connection cable	TMU 1&2	1
9	<a href="#">52782175</a>	TMU motor 2 speeds	230V/48V 50 Hz	1
9	<a href="#">52782173</a>	TMU motor 2 speeds	230V/115V 60 Hz - Standard	1
9	<a href="#">52782176</a>	TMU motor 2 speeds	400V/48V 50 Hz	1
9	<a href="#">52782171</a>	TMU motor 2 speeds	460V/115V 60 Hz - Standard	1
9	<a href="#">52782177</a>	TMU motor 2 speeds	500V/48V 50 Hz	1
9	<a href="#">52782172</a>	TMU motor 2 speeds	575V/115V 60 Hz - Standard	1
-	<a href="#">52305058</a>	Rain cover	All models C1 to C5	1

## 7.5. Chain travel



Item	Reference	Description	Observation	Quantity
1	<u>52306328</u>	Support		1
2	<u>830905</u>	CHC Screw 8X20		1
3	<u>993275</u>	Bearing		1
4	<u>52306329</u>	CHM shaft		1
5	<u>400953</u>	Travelling hand wheel - $\varnothing$ 165 mm	3,2T	1
6	<u>400052</u>	Circlips		1
	<u>53020194</u>	Hand chain - 5x27.1	9,8 meters	1
	<u>820003</u>	Galvanized hand chain - 5x27.1		1
A	<u>52306332</u>	Chain operated manual travelling	From C1 to C5	1

## 7.6. Right angle motor



Item	Reference	Description	Observation	Quantity
	<a href="#">551037</a>	Cubicle + Mac 2 pcb		1
	<a href="#">2216904</a>	GMR adaptation set for right angle motor	Pinion, flange, screws	1
	<a href="#">556972</a>	Right angle travelling machinery	Speed 10 & 2.5m/min For C1-C2-C3	1
	<a href="#">2133033</a>	CI board	2CS - MAC	1