

Spare parts catalog for "VR12 Vario - Phase 2"

To avoid errors, when ordering please specify:

- Complete type of hoist
- Date of manufacture and serial number
- Spare part code
- Spare part designation
- Additional information



1) FRAME

- 1.1) Upper hook
- 1.2) Manual trolley
- 1.3) Electric trolley from 0 to 1000 kg
- 1.4) Electric trolley from 1001 to 2500 kg

2) CHAIN GUIDE

- 2.1) Chain 7x20 - 1 fall
- 2.2) Chain 7x20 - 2 falls
- 2.3) Precut chain

3) GEAR

4) MOTOR

- 4.1) Single brake

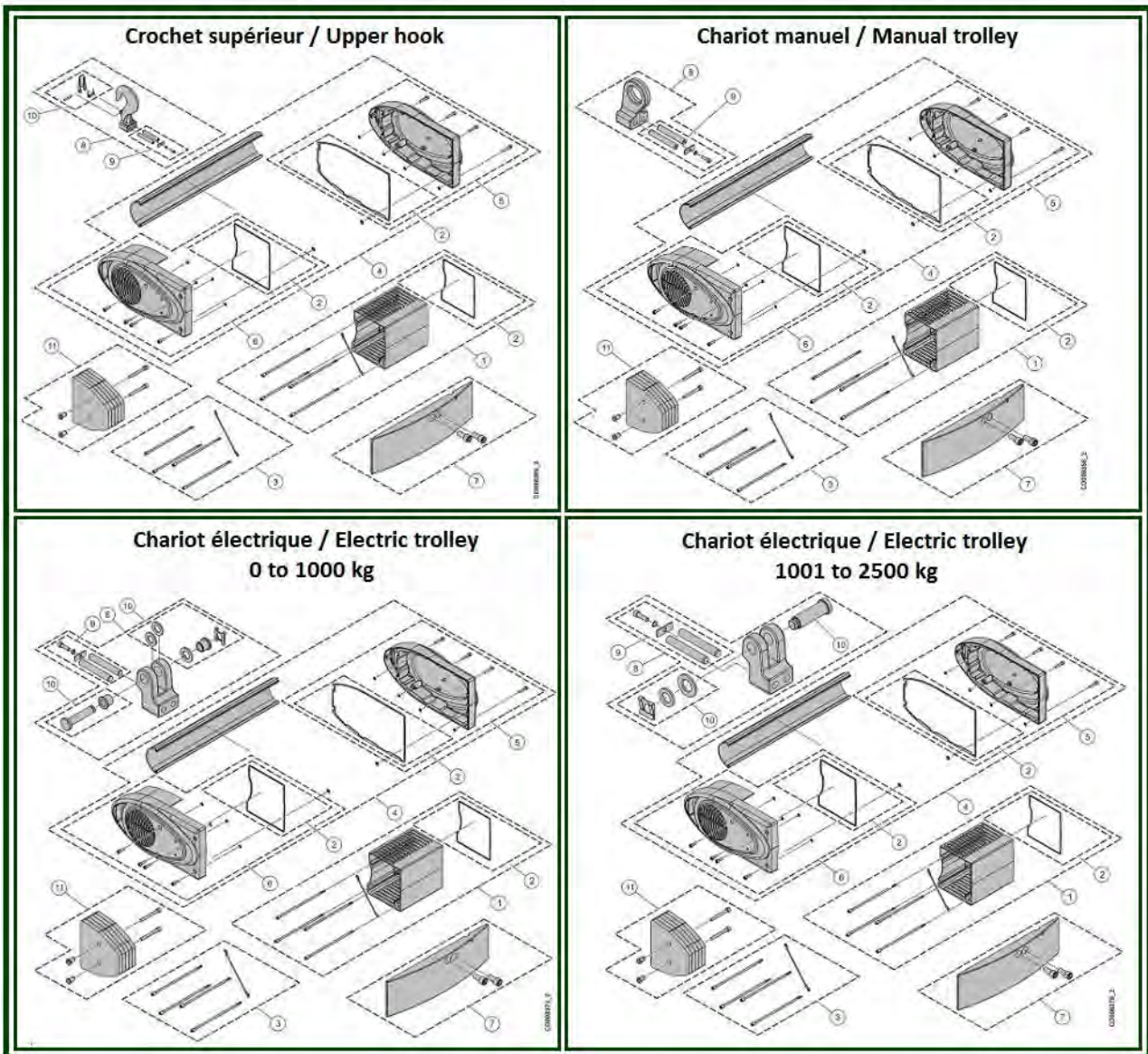
5) ELECTRICALS PARTS

6) PUSH BUTTONS CONTROLLER

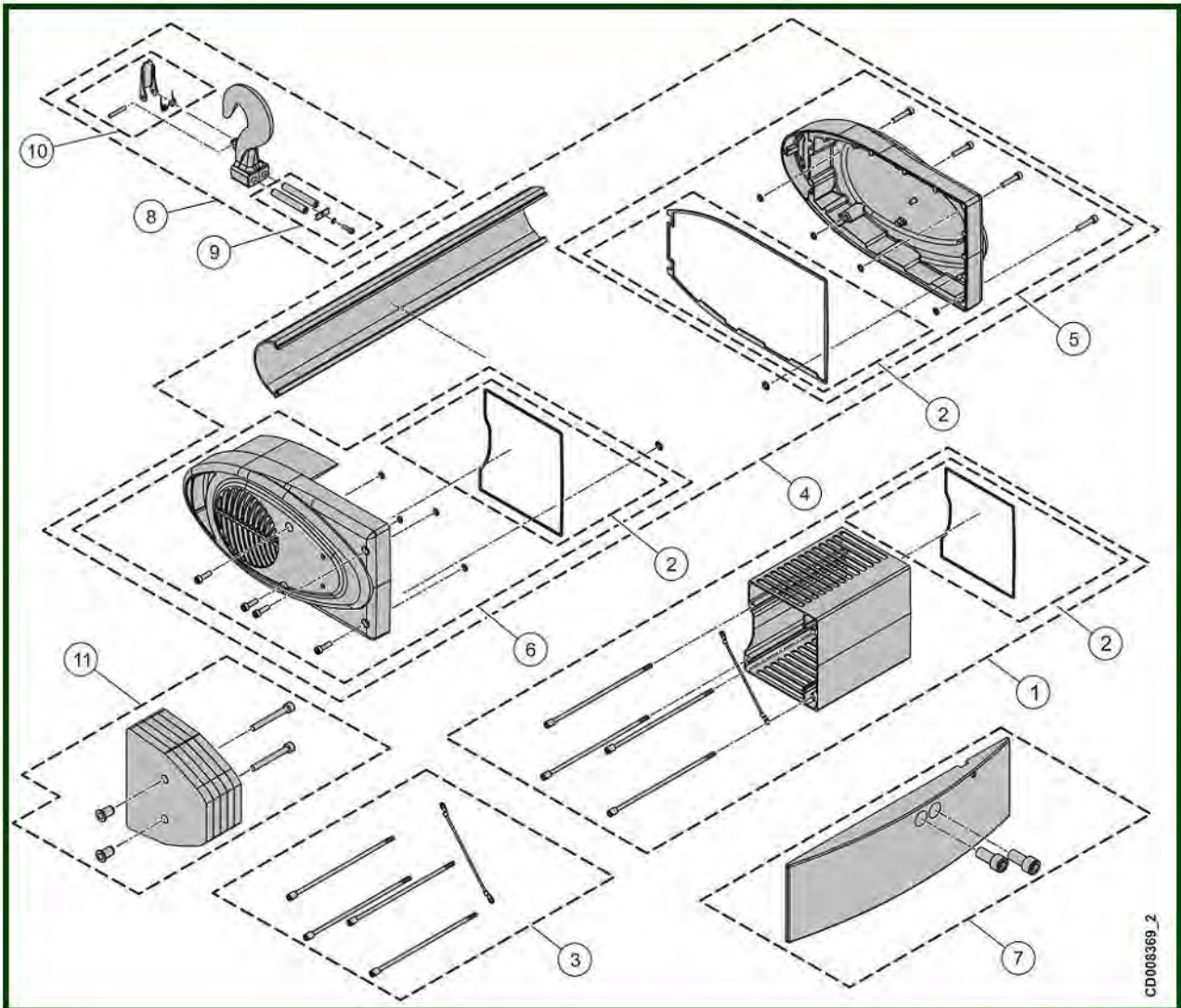
- 6.1) 2 buttons
- 6.2) 4 buttons
- 6.3) 6 buttons
- 6.4) Push buttons controller - From september 2014

7) SWIVELLING TROLLEY

1) Frame



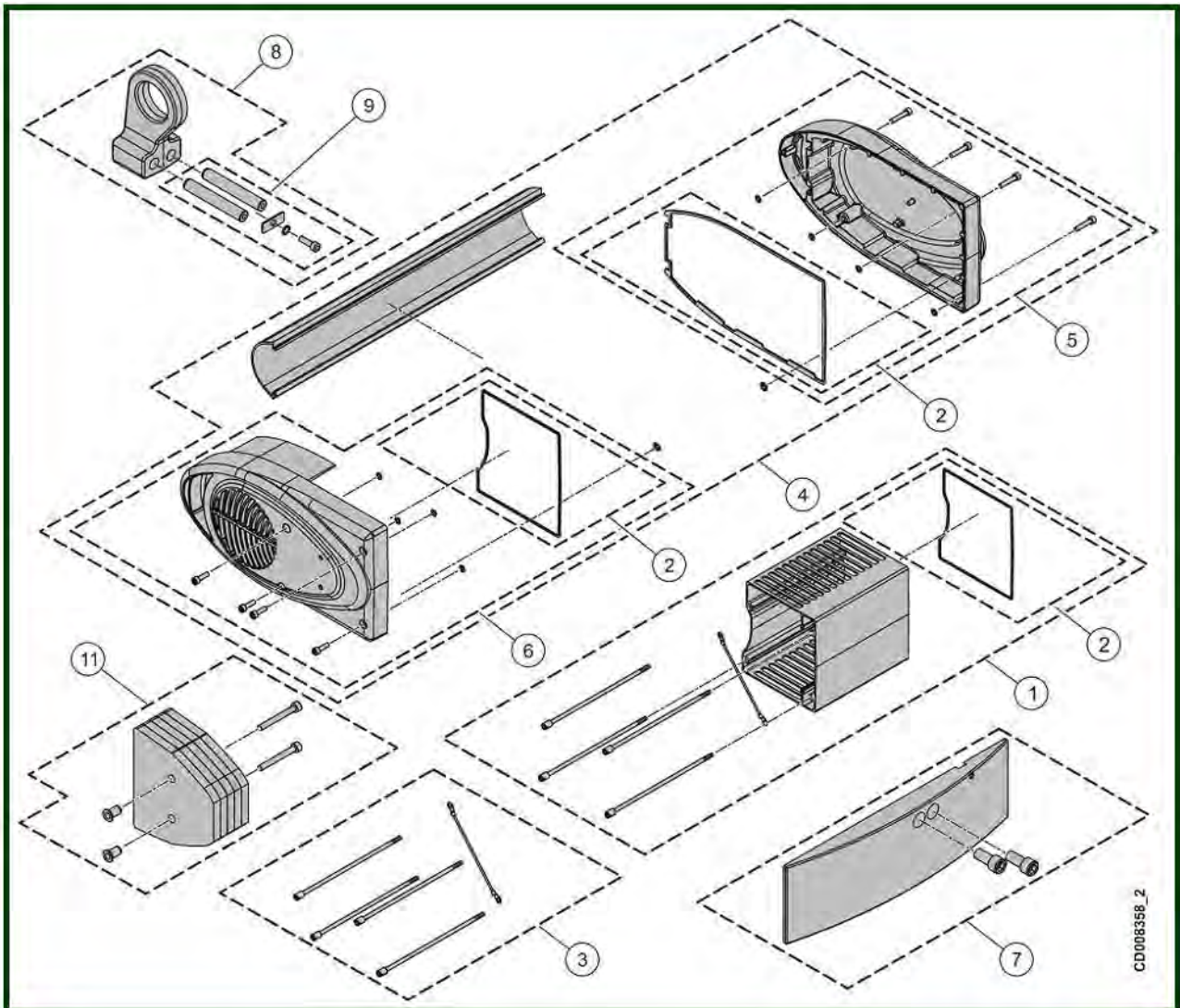
1.1) Upper hook



item	reference	description	observation	Quantity
1	VT0008079	Housing module		1
4	VT0008092	Cover	VERLINDE	1
5	VT0008102	Cover set - Brake side	Simple & Double freins / Single & double brakes	1
8	VT0005561	Upper hook		1
9	VT0005562	Shaft set		1
10	VT0005902	Safety latch		1
11	VT0008824	Counterweight	Capot - Côté moteur / Cover - Motor side	1
-	VT0006026	Identification plate	Demande de numéro de série / Serial number request	1
-	VT0008559	Rain cover	Fin De Course / Gear Limit Switch Double freins / Double brakes	1

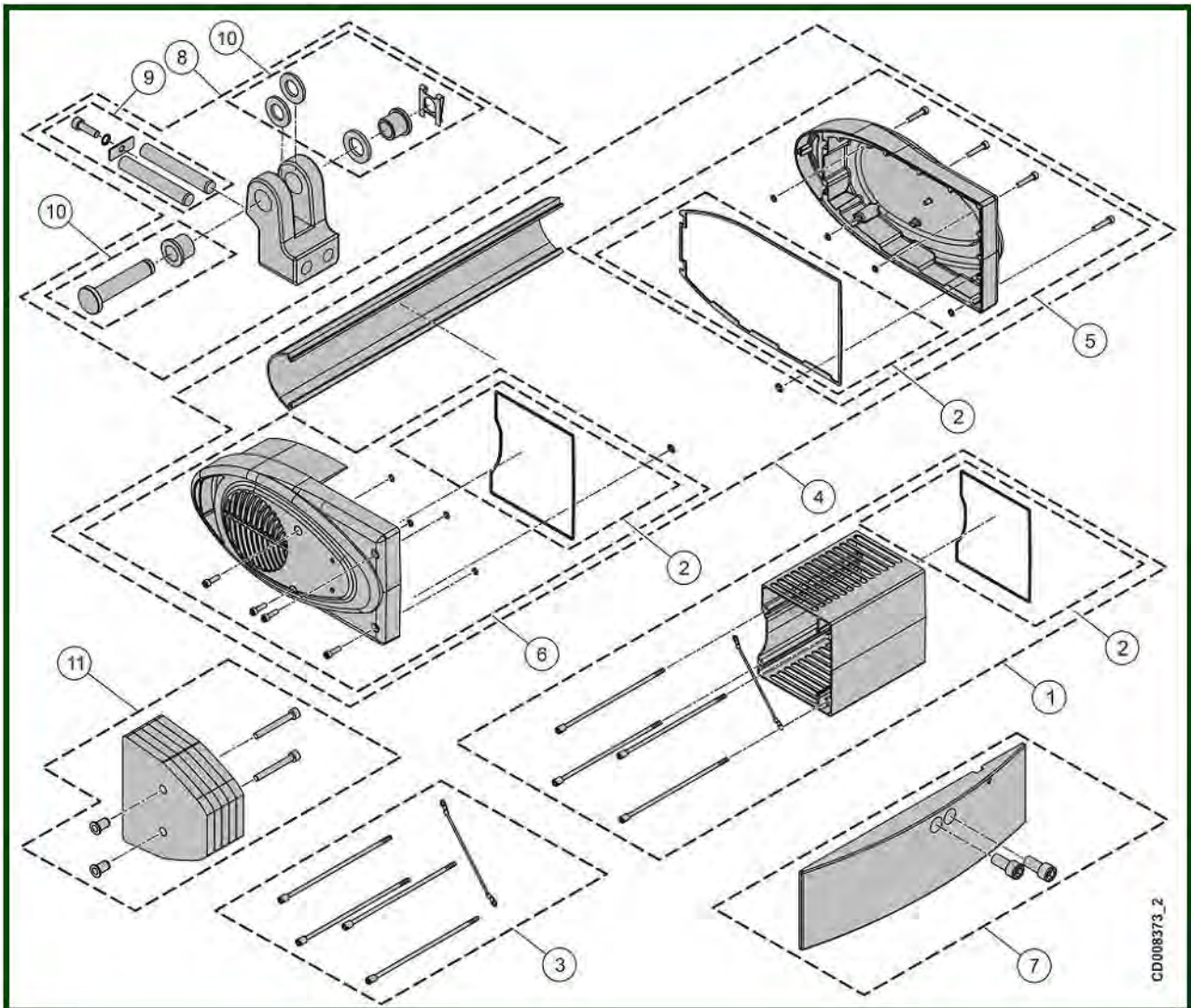
CD000369_2

1.2) Manual trolley



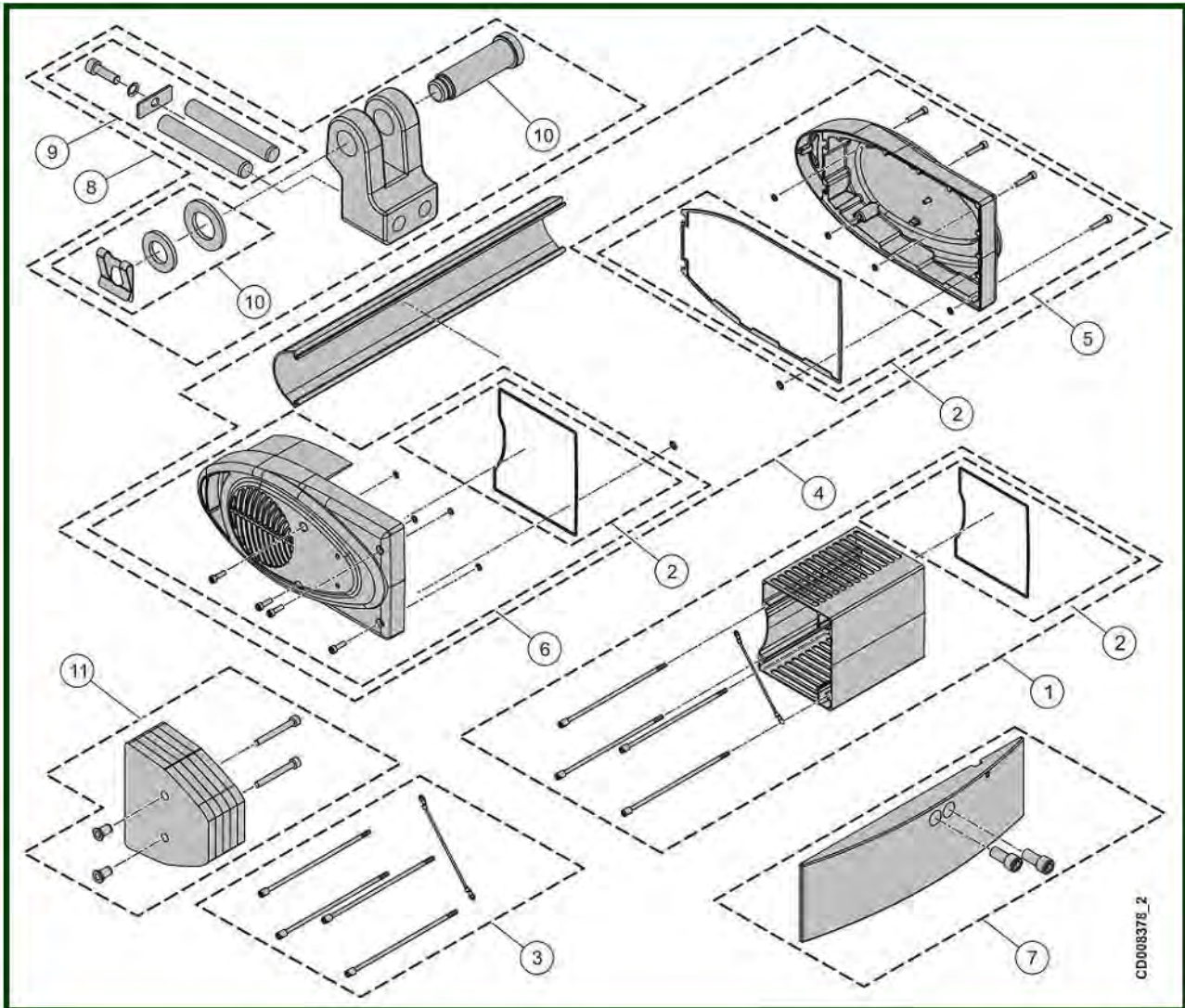
item	reference	description	observation	Quantity
1	VT0008079	Housing module		1
4	VT0008092	Cover	VERLINDE	1
5	VT0008102	Cover set - Brake side	Simple & Double freins / Single & double brakes	1
6	VT0008822	Cover set - Motor side	VERLINDE	1
7	VT0008115	Counterweight		1
8	VT0005848	Manual trolley		1
9	VT0005562	Shaft set		1
11	VT0008824	Counterweight	Capot - Côté moteur / Cover - Motor side	1
-	VT0006026	Identification plate	Demande de numéro de série / Serial number request	1
-	VT0008559	Rain cover	Fin De Course / Gear Limit Switch Double freins / Double brakes	1

1.3) Electric trolley from 0 to 1000 kg



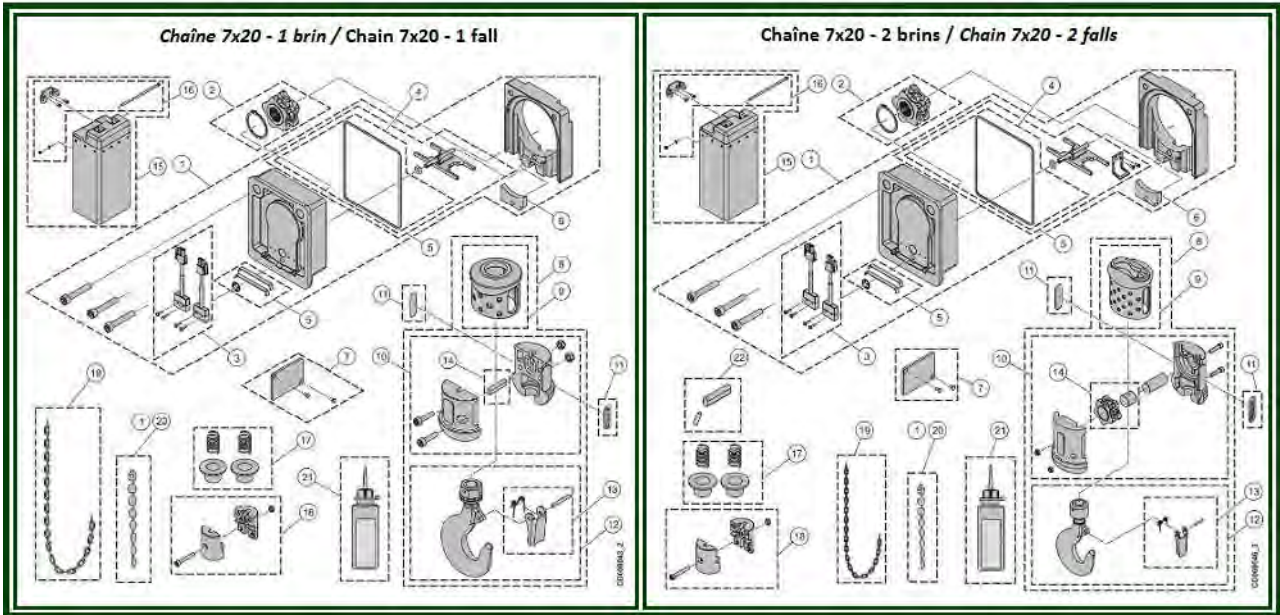
item	reference	description	observation	Quantity
1	VT0008079	Housing module		1
4	VT0008092	Cover	VERLINDE	1
5	VT0008102	Cover set - Brake side	Simple & Double freins / Single & double brakes	1
8	VT0005862	Couplings part - Electric trolley	0 à/to 1000 kg	1
9	VT0005562	Shaft set		1
10	VT0005976	Shaft set - Electric trolley	0 à/to 1000 kg	1
11	VT0008824	Counterweight	Capot - Côté moteur / Cover - Motor side	1
-	VT0006026	Identification plate	Demande de numéro de série /Serial number request	1
-	VT0008559	Rain cover	Fin De Course / Gear Limit Switch Double freins / Double brakes	1

1.4) Electric trolley from 1001 to 2500 kg

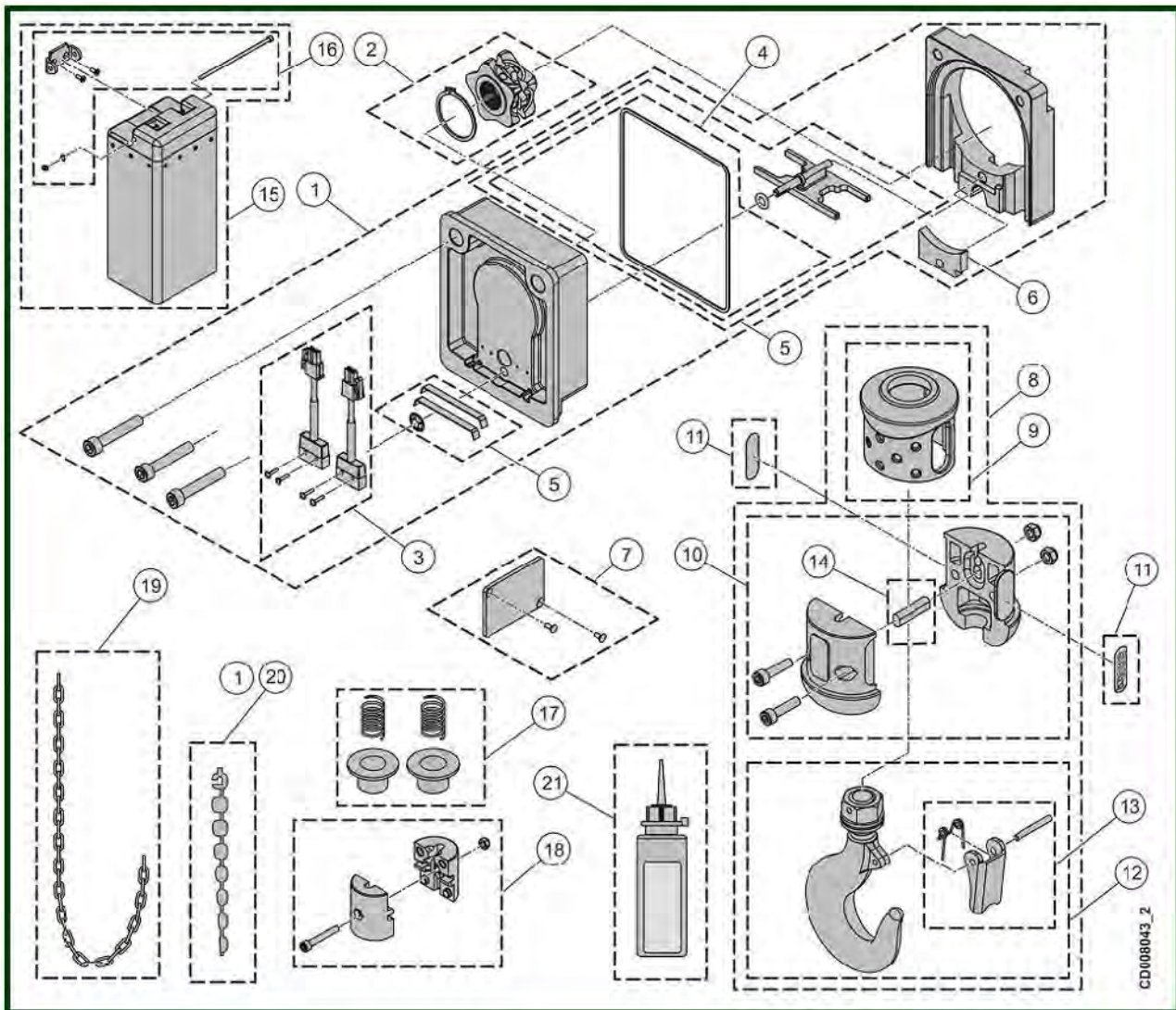


item	reference	description	observation	Quantity
1	VT0008079	Housing module		1
4	VT0008092	Cover	VERLINDE	1
5	VT0008102	Cover set - Brake side	Simple & Double freins / Single & double brakes	1
6	VT0008822	Cover set - Motor side	VERLINDE	1
7	VT0008115	Counterweight		1
8	VT0005849	Couplings part - Electric trolley	1001 à/ to 2500 kg	1
9	VT0005562	Shaft set		1
10	VT0005975	Shaft set - Electric trolley	1001 à/ to 2500 kg	1
11	VT0008824	Counterweight	Capot - Côté moteur / Cover - Motor side	1
-	VT0006026	Identification plate	Demande de numéro de série / Serial number request	1
-	VT0008559	Rain cover	Fin De Course / Gear Limit Switch Double freins / Double brakes	1

2) Chain guide



2.1) Chain 7x20 - 1 fall

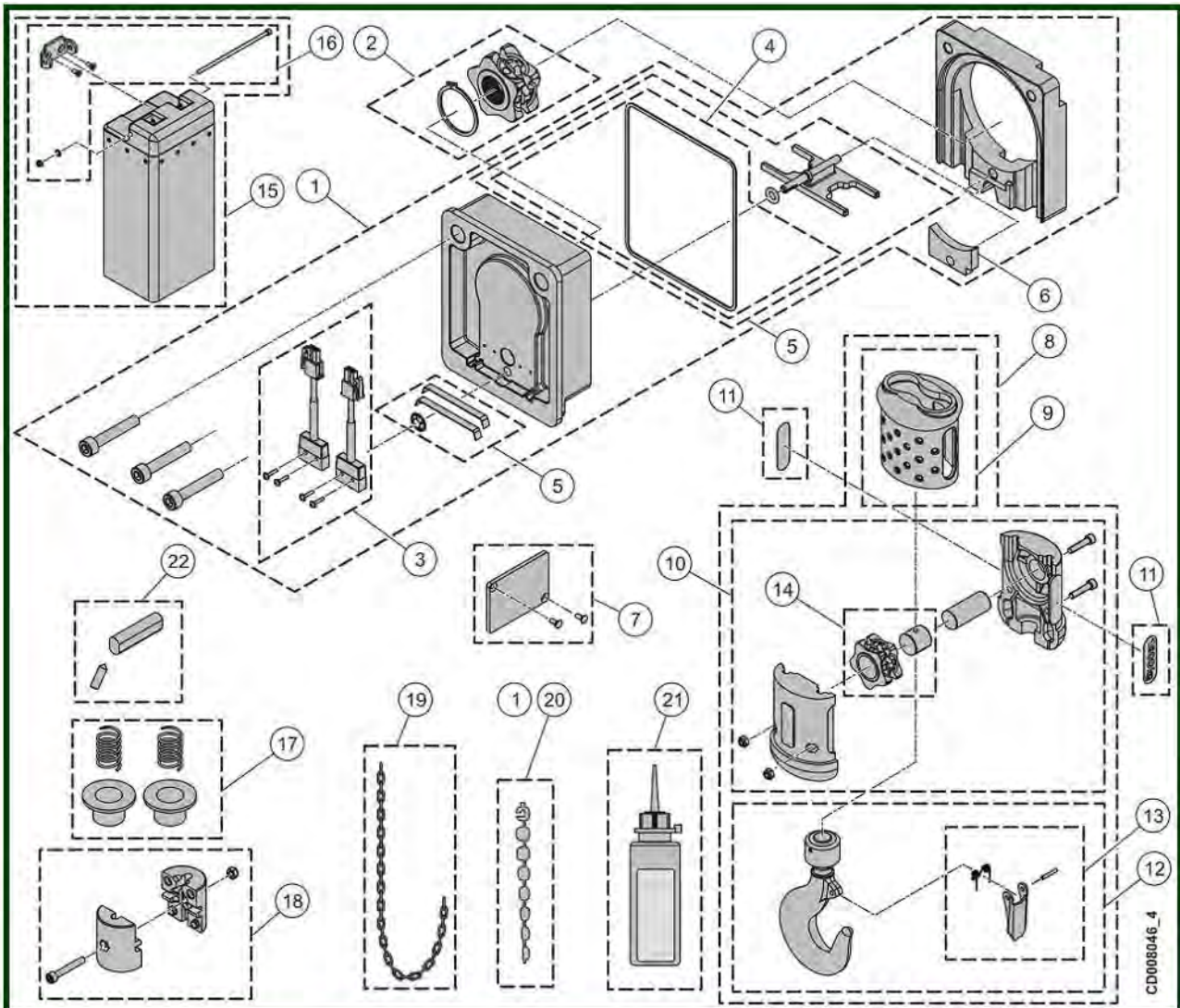


CD008043_2

item	reference	description	observation	Quantity
1	VT0008313	Chain guide	Chaîne 7x20	1
2	VT0005851	Chain sprocket	1 brin / 1 fall	1
3	VT0004724	Switch set		1
4	VT0006368	Sealing set		1
5	VT0005853	Limit switch activator		1
6	VT0008116	Chain ejector		1
7	VT0008117	Cap - Chain guide		1
8	VT0008553	Hook block - 1 fall	Crochet standard - Standard hook	1
9	VT0008554	Rubber chain stop		1
10	VT0005856	Hook component	Crochet standard-1 brin / Standard hook-1 fall	1
11	VT0005857	Set of 10 load plates - Hoist	500 Kg	1
11	VT0005858	Set of 10 load plates - Hoist	630 Kg	1
11	VT0005859	Set of 10 load plates - Hoist	1000 Kg	1
12	VT0005861	Standard hook		1
13	VT0005903	Safety latch	Crochet rotatif-1 brin / Rotary hook-1 fall	1
14	VT0006371	Pin	1 brin / 1 fall	1
15	VT0008733	Chain bucket set	6 m pour/for 7x20 10 m pour/for 5x14	1
15	VT0008734	Chain bucket set	16 m pour/for 7x20	1
15	VT0008736	Chain bucket set	30 m pour/for 7x20	1
16	VT0009160	Fixing set of chain bucket		1

17	<u>VT0008555</u>	Spring set		1
18	<u>VT0007405</u>	Slack fall stop		1
19	<u>VT0005544</u>	Galvanized chain - 7x20	Standard	1
19	<u>VT0006352</u>	Stainless steel chain - 7x20	Attention : palan déclassé / Be careful : hoist downgraded	1
20	<u>VT0005575</u>	Chain fitting tool		1
21	<u>VT0006025</u>	Oil can		1

2.2) Chain 7x20 - 2 falls



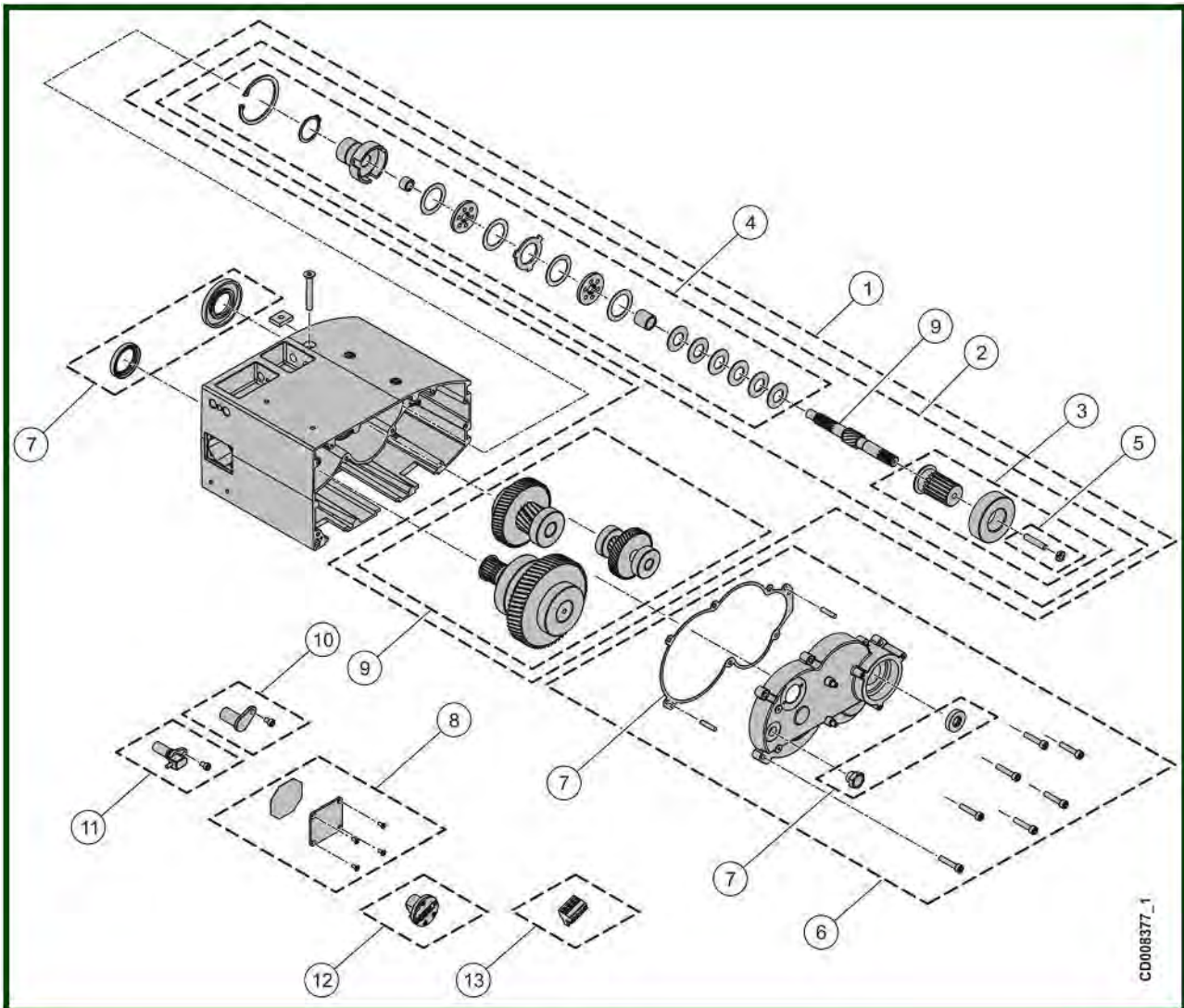
item	reference	description	observation	Quantity
1	VT0008313	Chain guide	Chaîne 7x20	1
2	VT0005851	Chain sprocket	1 brin / 1 fall	1
3	VT0004724	Switch set		1
4	VT0006368	Sealing set		1
5	VT0005872	Limit switch activator		1
6	VT0008116	Chain ejector		1
7	VT0008117	Cap - Chain guide		1
8	VT0008556	Hook block - 2 falls	Crochet standard - Standard hook	1
9	VT0008557	Rubber chain stop		1
10	VT0005883	Hook component	Crochet standard - Standard hook	1
11	VT0005873	Set of 10 load plates	1600 Kg	1
11	VT0005874	Set of 10 load plates	2000 Kg	1
11	VT0005875	Set of 10 load plates	2500 Kg	1
12	VT0006600	Standard hook		1
13	VT0005902	Safety latch		1
14	VT0005882	Return sprocket	2 brins / 2 falls	1
15	VT0008733	Chain bucket set	6 m pour/for 7x20 10 m pour/for 5x14	1
15	VT0008734	Chain bucket set	16 m pour/for 7x20	1
15	VT0008736	Chain bucket set	30 m pour/for 7x20	1
16	VT0009160	Fixing set of chain bucket		1

17	<u>VT0008555</u>	Spring set		1
18	<u>VT0007405</u>	Slack fall stop		1
19	<u>VT0005544</u>	Galvanized chain - 7x20	Standard	1
19	<u>VT0006352</u>	Stainless steel chain - 7x20	Attention : palan déclassé / Be careful : hoist downgraded	1
20	<u>VT0005575</u>	Chain fitting tool		1
21	<u>VT0006025</u>	Oil can		1
22	<u>VT0008130</u>	Fixing module		1

2.3) Precut chain

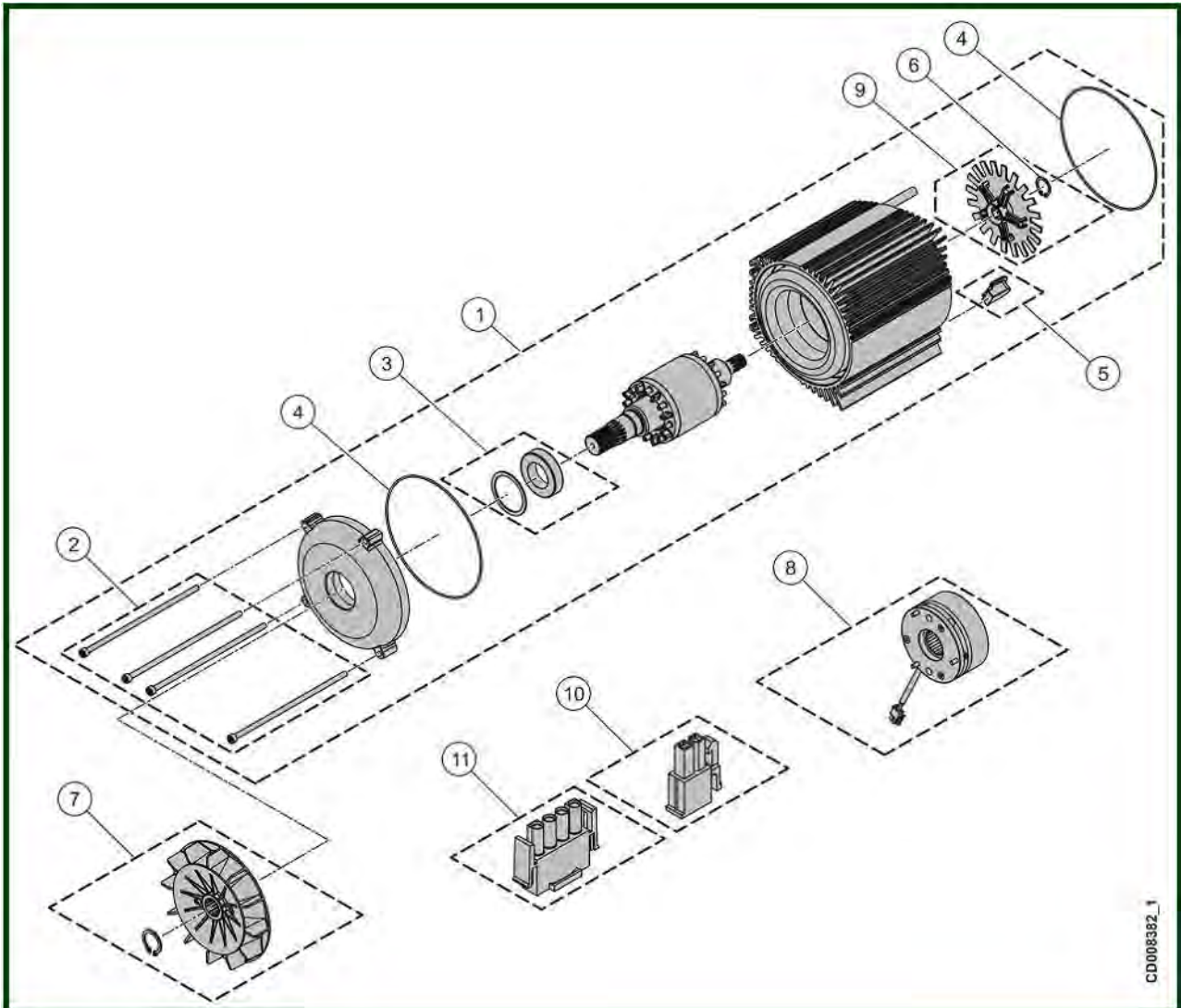
item	reference	description	observation	Quantity
	<u>53021120</u>	Galvanized load chain - 7x20	5 mètres / meters	1
	<u>53021122</u>	Galvanized load chain - 7x20	6 mètres / meters	1
	<u>53021782</u>	Galvanized load chain - 7x20	8 mètres / meters	1
	<u>53022502</u>	Galvanized load chain - 7x20	10 mètres / meters	1
	<u>53022511</u>	Galvanized load chain - 7x20	11 mètres / meters	1
	<u>53022512</u>	Galvanized load chain - 7x20	13 mètres / meters	1
	<u>53022523</u>	Galvanized load chain - 7x20	18 mètres / meters	1
	<u>53022525</u>	Galvanized load chain - 7x20	100 mètres / meters	1

3) Gear

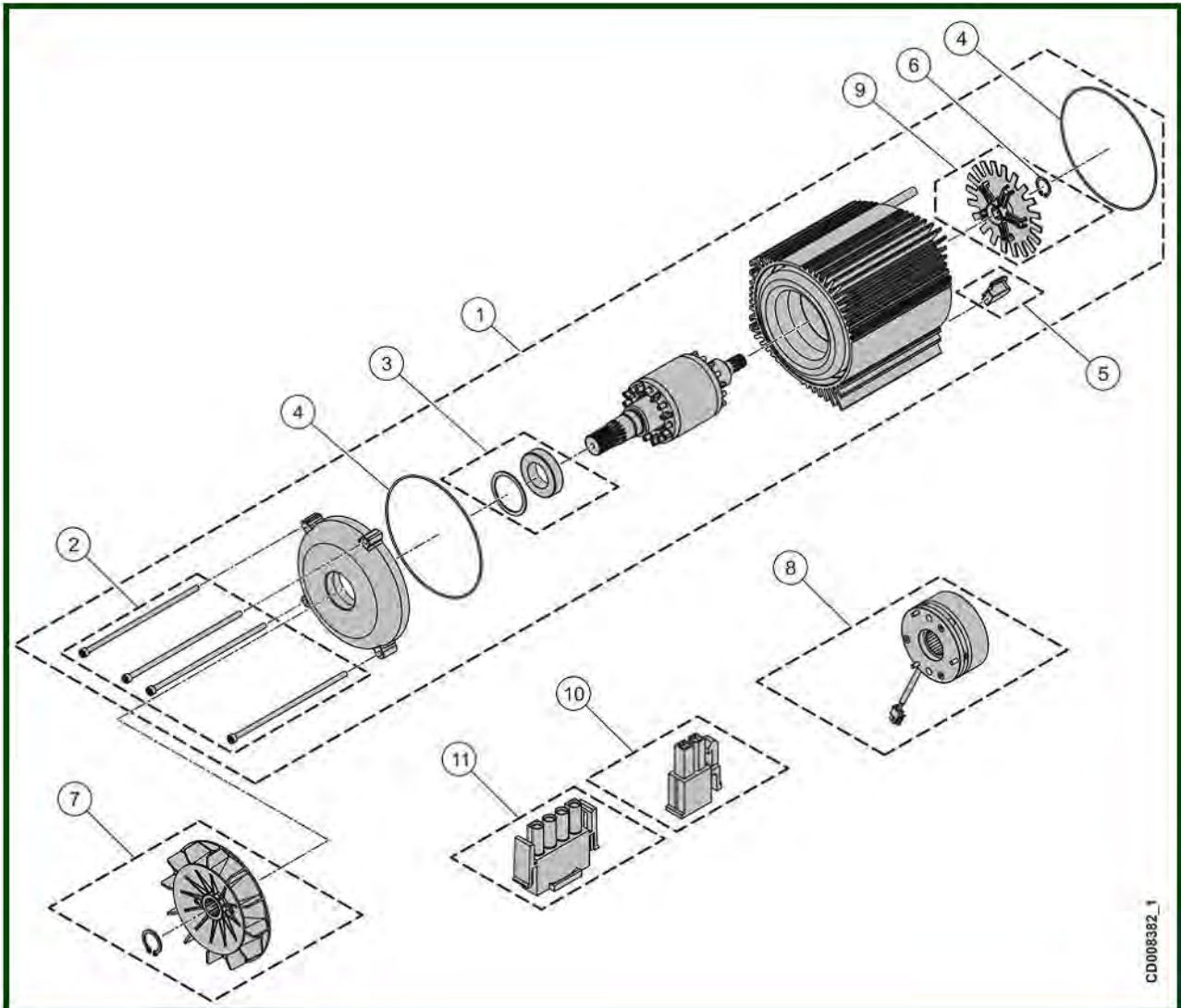


item	reference	description	observation	Quantity
1	VT0007739	Gear pinion set - 10 m/ min	Simple frein / Single brake	1
1	VT0007740	Gear pinion set - 20 m/ min	Simple frein / Single brake	1
2	VT0005896	Gear shaft with clutch	8-10-16-20m/min Simple frein / Single brake	1
3	VT0005897	Coupling - Brake side	Simple frein / Single brake	1
4	VT0007747	Clutch with retaining ring		1
5	VT0005898	Screws set		1
8	VT0008829	Chain guide	Guide chaîne / Chain guide	1
9	VT0008827	Gear assembly	10 m / min	1
9	VT0008828	Gear assembly	20 m / min	1
10	VT0007754	Encoder	Vitesse moteur / Motor speed	1
11	VT0007755	Encoder	Vitesse arbre GV / Shaft speed	1
12	VT0007753	Overload sensor		1
13	VT0006562	Male plug		1

4) Motor

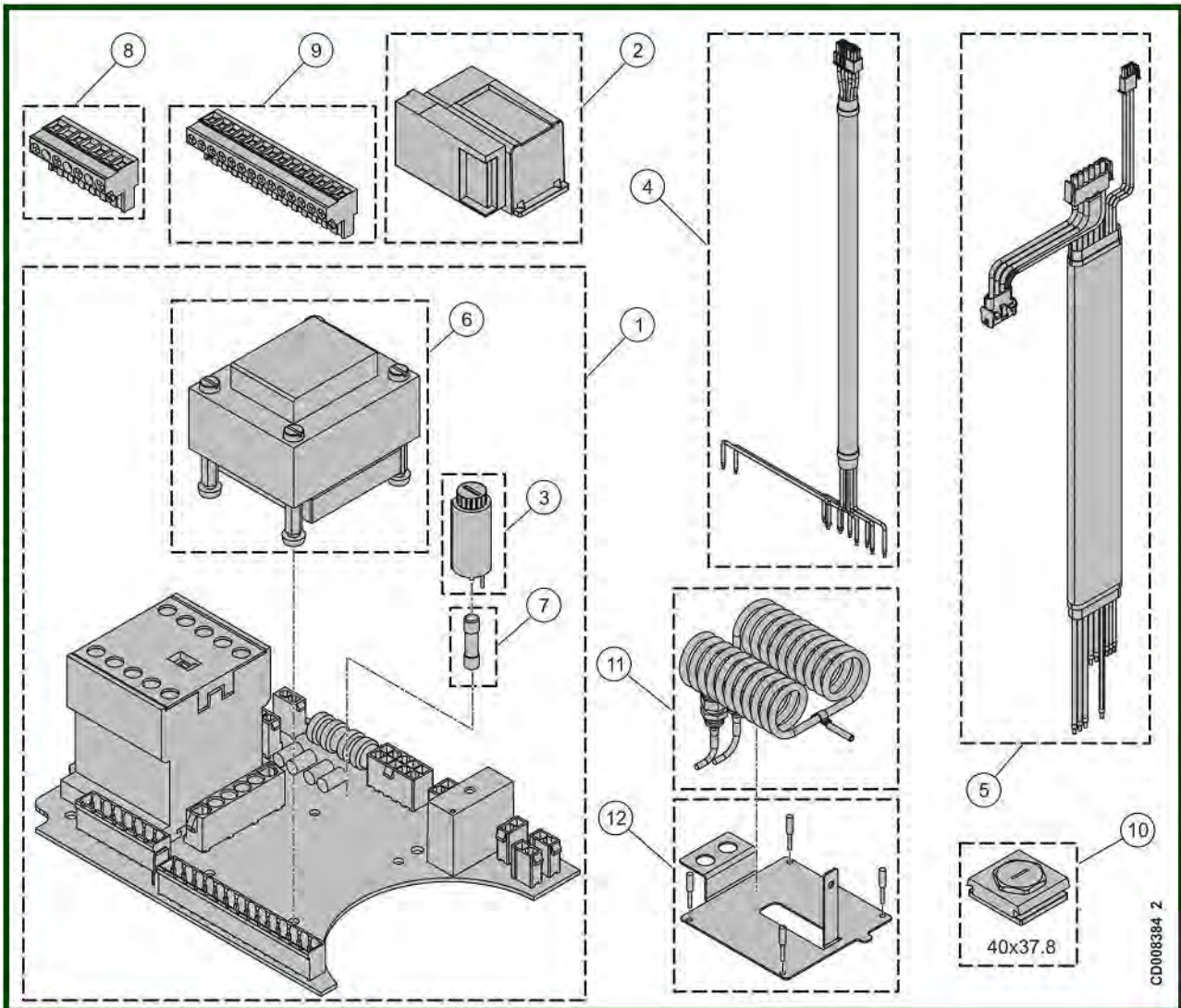


4.1) Single brake



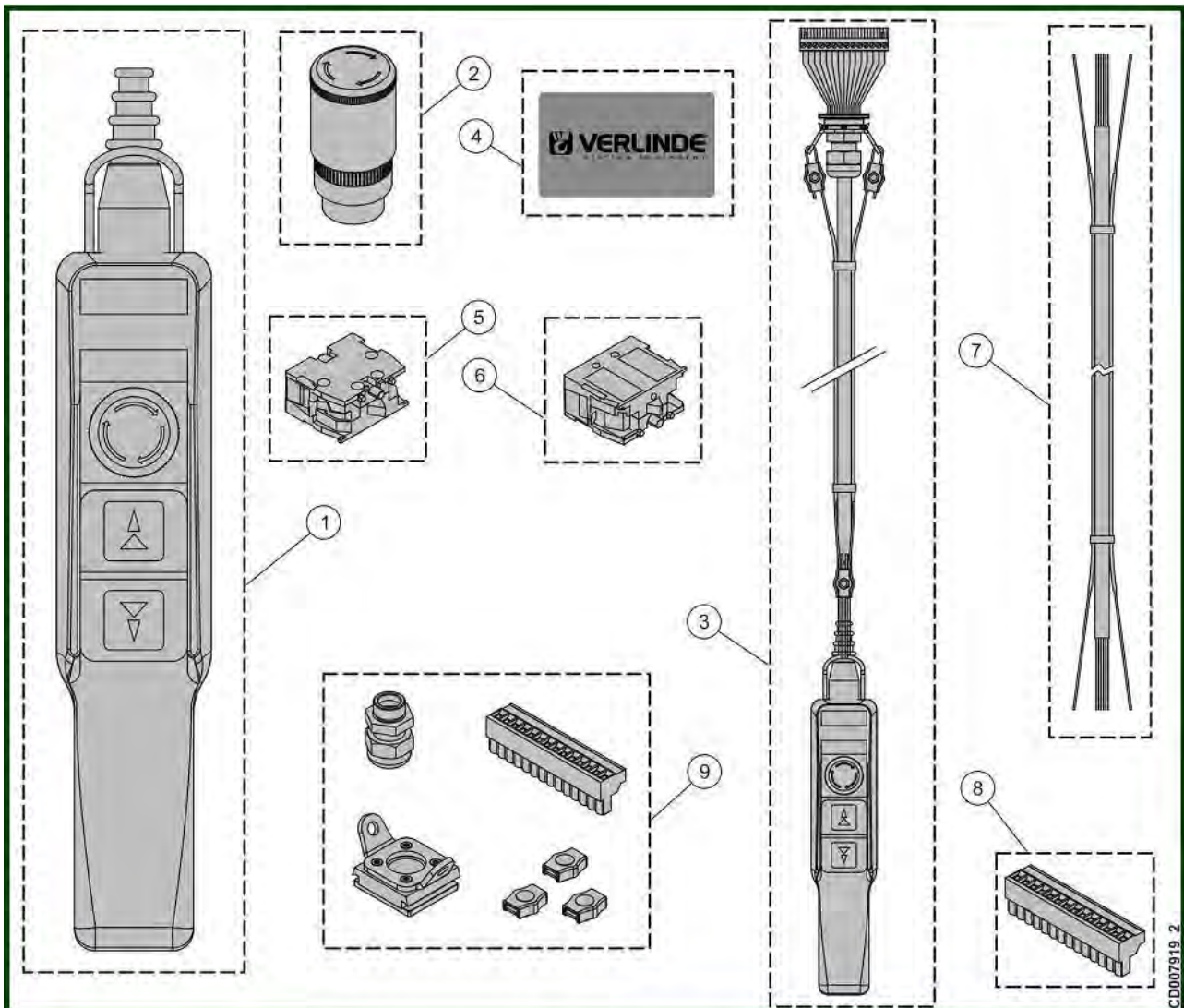
item	reference	description	observation	Quantity
1	VT0008841	Motor	380-415V:50Hz	1
2	VT0005917	Screw set		1
3	VT0005912	Bearing set		1
4	VT0008374	Sealings		2
6	VT0005916	Retaining ring		1
7	VT0005915	Fan set		1
8	VT0005620	Single brake	190 V	1
9	VT0007961	Encoder disc + retaining ring		1

5) Electrical parts



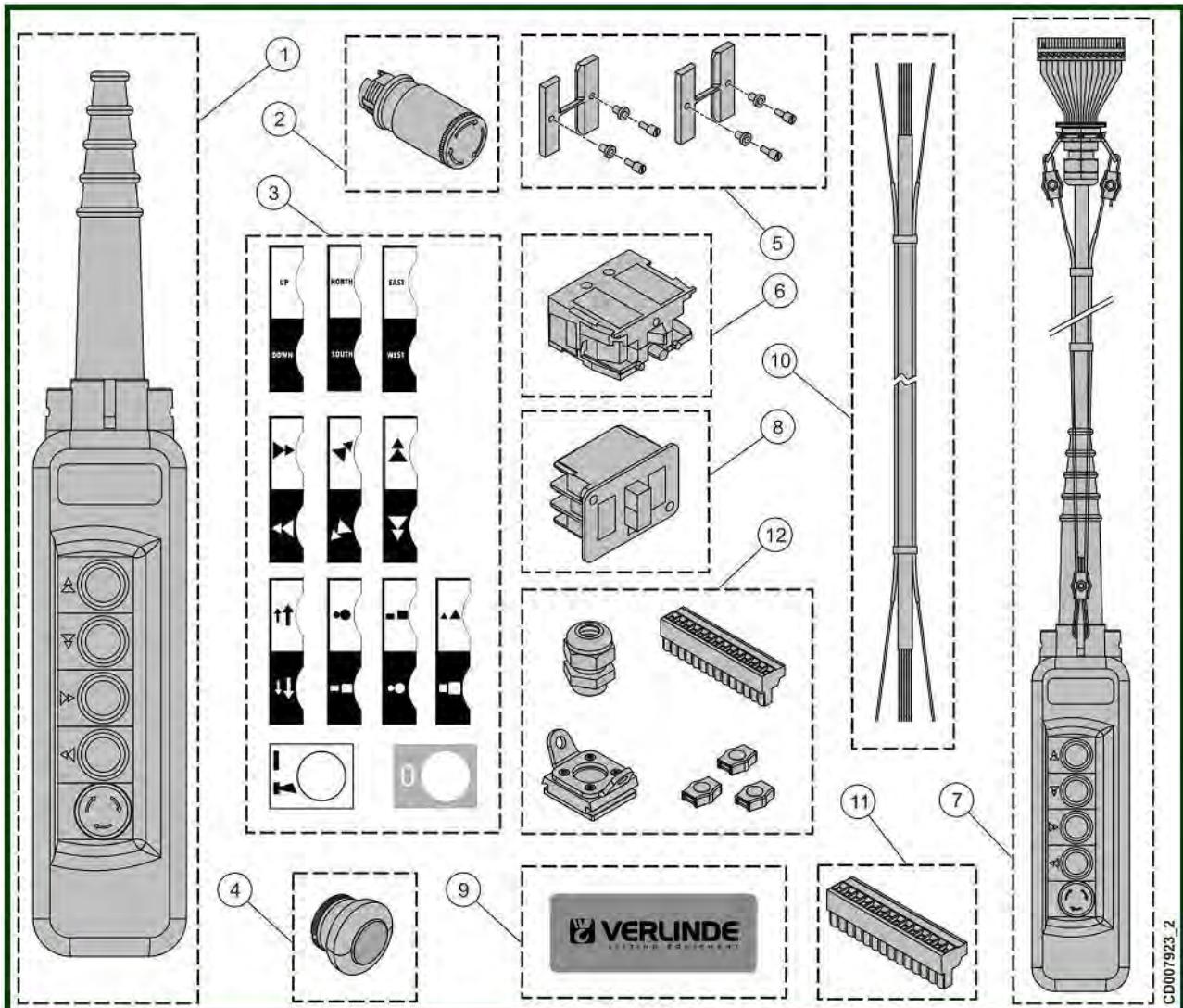
item	reference	description	observation	Quantity
1	VT0007269	Electrical board	380V-415V / 48V - 50/60HZ	1
2	VT0007275	Inverter	380V-480V - 50/60Hz	1
3	VT0006191	Fuse base		1
4	VT0007277	Wire harness - Plug control voltage		1
5	VT0006757	Wire harness - Plug power voltage		1
6	VT0004953	Transformer	400V / 48V - 50/60Hz	1
7	VT0004915	Set of 10 fuses	48V	1
7	VT0004955	Set of 10 fuses	115V	1
8	VT0005107	Connector	4P	1
9	VT0005108	Connector	14P	1
10	VT0006089	End cap - Square cable entry		1
11	VT0008847	Resistor	1200 W	1

6.1) 2 buttons



item	reference	description	observation	Quantity
1	VT0005061	Pendant controller - 2HS+ES	Jaune / Yellow	1
2	VT0006547	Emergency push button		1
3	VT0005612	Pendant with cable - 2HS+ES	2,2 m - Jaune / Yellow - CE	1
3	VT0005613	Pendant with cable - 2HS+ES	2,7 m - Jaune / Yellow - CE	1
3	VT0005614	Pendant with cable - 2HS+ES	3,2 m - Jaune / Yellow - CE	1
3	VT0005615	Pendant with cable - 2HS+ES	3,7 m - Jaune / Yellow - CE	1
3	VT0005616	Pendant with cable - 2HS+ES	4,2 m - Jaune / Yellow - CE	1
3	VT0005617	Pendant with cable - 2HS+ES	4,7 m - Jaune / Yellow - CE	1
3	VT0005618	Pendant with cable - 2HS+ES	5,2 m - Jaune / Yellow - CE	1
3	VT0005619	Pendant with cable - 2HS+ES	5,7 m - Jaune / Yellow - CE	1
4	VT0007837	Branding sticker	VERLINDE	1
5	VT0005064	Contact block	ZB2-BE101	1
6	VT0005066	Contact block	ZB2-BE 102	1
7	VT0006746	Cable	5x1,5 mm2 - CE	1
8	VT0005108	Connector	14P	1
9	VT0007583	Pendant plug set	ISO	1

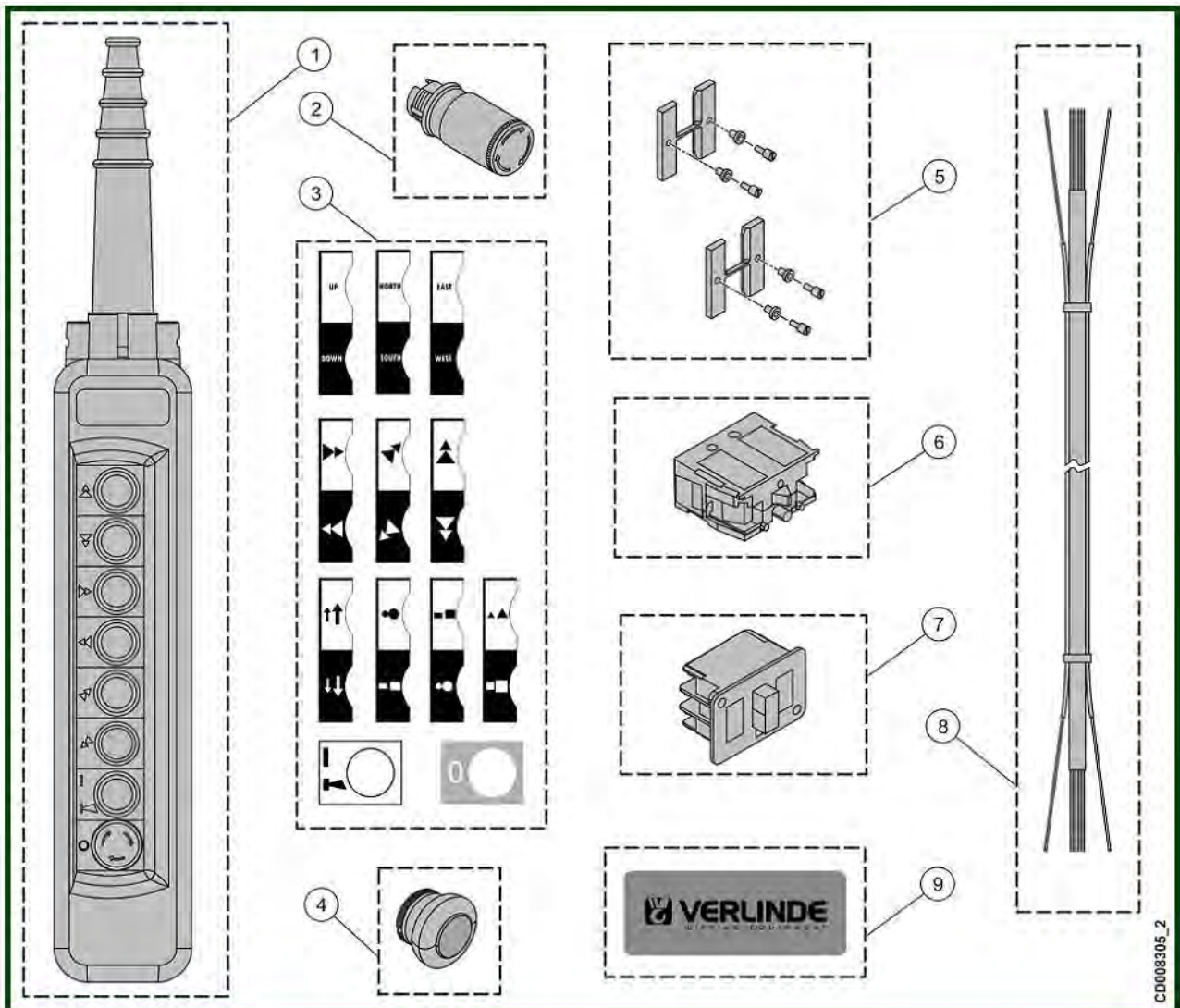
6.2) 4 buttons



item	reference	description	observation	Quantity
1	VT0005055	Pendant controller 2HS+2TS+ES	Jaune / Yellow	1
2	VT0006548	Emergency push button		1
3	VT0007882	Set of direction symbols		1
4	VT0005063	Push button		1
5	VT0005072	Mechanical interlock		2
6	VT0005066	Contact block	ZB2-BE 102	1
7	VT0006060	Pendant with cable 2HS+2TS+ES	4,7 m - Jaune / Yellow	1
7	VT0006055	Pendant with cable 2HS+2TS+ES	2,2 m - Jaune / Yellow	1
7	VT0006061	Pendant with cable 2HS+2TS+ES	5,2 m - Jaune / Yellow	1
7	VT0006056	Pendant with cable 2HS+2TS+ES	2,7 m - Jaune / Yellow	1
7	VT0006059	Pendant with cable 2HS+2TS+ES	4,2 m - Jaune / Yellow	1
7	VT0006062	Pendant with cable 2HS+2TS+ES	5,7 m - Jaune / Yellow	1
7	VT0006057	Pendant with cable 2HS+2TS+ES	3,2 m - Jaune / Yellow	1
7	VT0006058	Pendant with cable 2HS+2TS+ES	3,7 m - Jaune / Yellow	1
8	VT0007879	Contact block	XENG1191	1

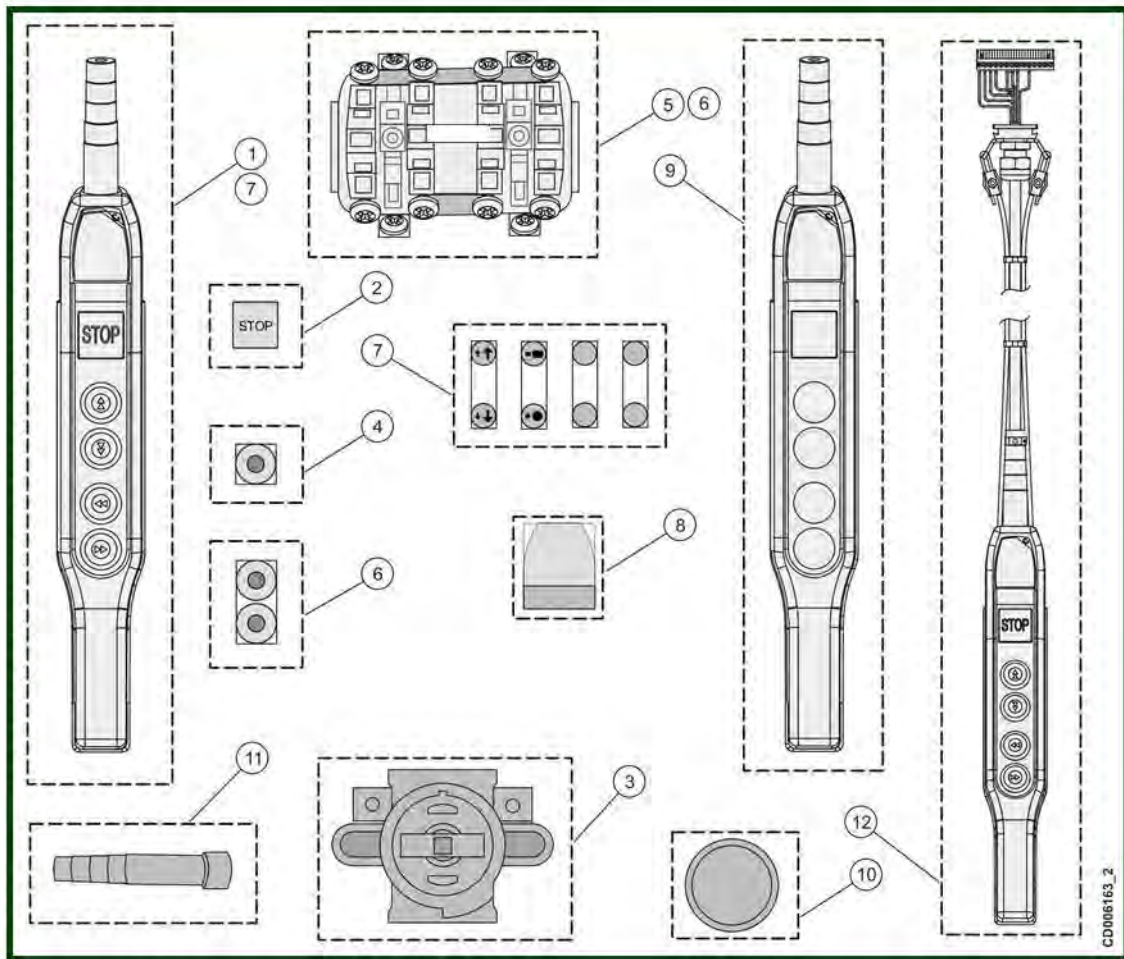
9	<u>VT0007880</u>	Sticker of brand	VERLINDE	1
10	<u>VT0006747</u>	Cable - 8x1,5mm2	mètre / meter	1
11	<u>VT0005108</u>	Connector	14P	1
12	<u>VT0007583</u>	Pendant plug set	ISO	1

6.3) 6 buttons



item	reference	description	observation	Quantity
1	VT0005058	Pendant controller 2HS+2TS+2LS+ON-OFF	Jaune / Yellow	1
2	VT0006548	Emergency push button		1
3	VT0007882	Set of direction symbols		1
4	VT0005063	Push button		1
5	VT0005072	Mechanical interlock		2
6	VT0005066	Contact block	ZB2-BE 102	1
7	VT0007879	Contact block	XENG1191	1
8	VT0008073	Cable	16x1.52mm ² - mètre/metter	1
8	VT0008074	Cable	20x1.5mm ² - mètre/metter	1
9	VT0007880	Sticker of brand	VERLINDE	1
-	VT0005108	Connector	14P	1

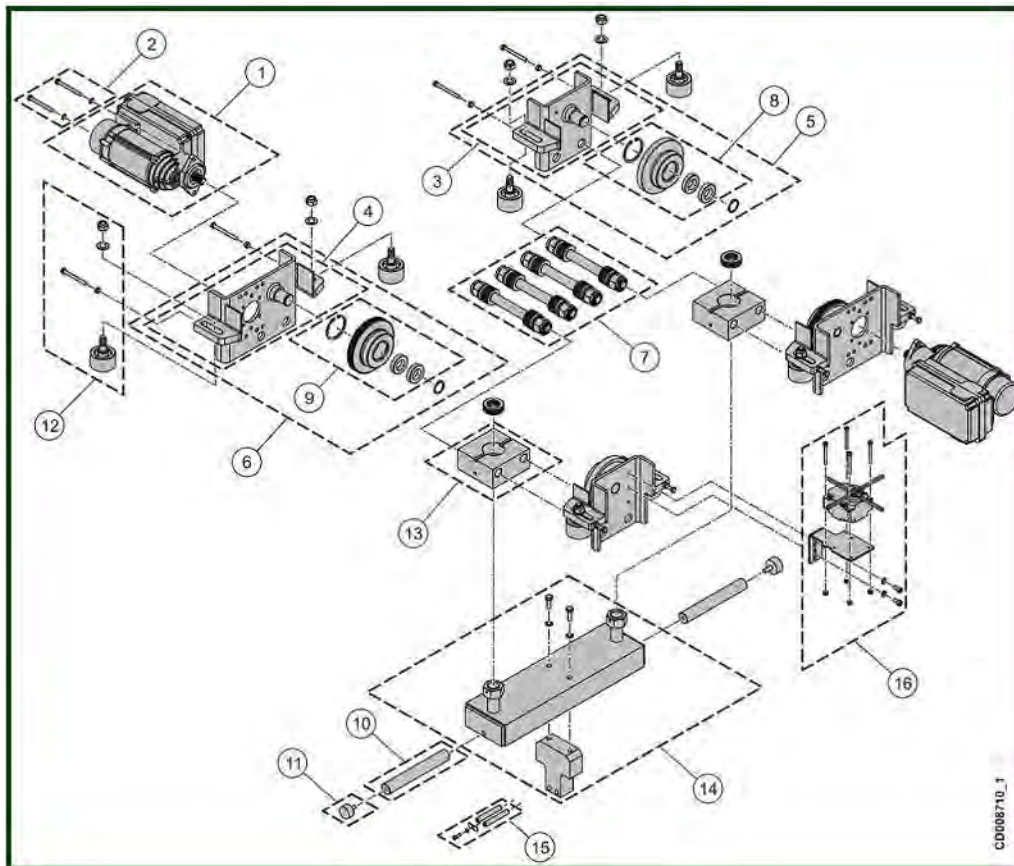
6.4) Push buttons controller - From september 2014



item	reference	description	observation	Quantity
1	VT0006495	Push buttons box - 2 HS+2TS+ES	Jaune - 4 boutons / Yellow - 4 buttons	1
1	VT0006493	Push buttons box - 2 HS+ES	Jaune - 2 boutons / Yellow - 2 buttons	1
2	VT0006509	Emergency push button		1
3	VT0006510	Emergency stop contact block		1
4	VT0006511	Rubber push button		1
5	VT0006513	Contact block	2 vitesses / 2 steps	1
6	VT0006514	Set of 2 push buttons + contact block		1
7	VT0006754	Stickers - Direction symbols	ANSI	1
7	VT0006752	Stickers - Direction symbols	DIN	1
7	VT0006753	Stickers - Direction symbols	FIN-SEN	1
8	VT0006496	Stickers - Brand	VERLINDE	1
9	VT0006515	Pendant housing	Jaune - 2 boutons / Yellow - 2 buttons	1
9	VT0006518	Pendant housing	Jaune - 4 boutons / Yellow - 4 buttons	1
10	VT0006517	Magnet		1
10	VT0006516	Rubber part		1
11	VT0007032	Cable bushing		1
12	VT0006958	Push buttons box + cable + plug - 2 HS+ES	2,20 m - Jaune/yellow - DIN	1
12	VT0006951	Push buttons box + cable + plug - 2 HS+ES	2,70 m - Jaune/yellow - DIN	1
12	VT0006952	Push buttons box + cable + plug - 2 HS+ES	3,20 m - Jaune/yellow - DIN	1
12	VT0006953	Push buttons box + cable + plug - 2 HS+ES	3,70 m - Jaune/yellow - DIN	1
12	VT0006954	Push buttons box + cable + plug - 2 HS+ES	4,20 m - Jaune/yellow - DIN	1
12	VT0006955	Push buttons box + cable + plug - 2 HS+ES	4,70 m - Jaune/yellow - DIN	1
12	VT0006956	Push buttons box + cable + plug - 2 HS+ES	5,20 m - Jaune/yellow - DIN	1
12	VT0006957	Push buttons box + cable + plug - 2 HS+ES	5,70 m - Jaune/yellow - DIN	1

13	<u>VT0006959</u>	Push buttons box + cable + plug - 2 HS+2TS+ES	2,20 m - Jaune/yellow - DIN	1
13	<u>VT0006966</u>	Push buttons box + cable + plug - 2 HS+2TS+ES	2,70 m - Jaune/yellow - DIN	1
13	<u>VT0006960</u>	Push buttons box + cable + plug - 2 HS+2TS+ES	3,20 m - Jaune/yellow - DIN	1
13	<u>VT0006961</u>	Push buttons box + cable + plug - 2 HS+2TS+ES	3,70 m - Jaune/yellow - DIN	1
13	<u>VT0006962</u>	Push buttons box + cable + plug - 2 HS+2TS+ES	4,20 m - Jaune/yellow - DIN	1
13	<u>VT0006963</u>	Push buttons box + cable + plug - 2 HS+2TS+ES	4,70 m - Jaune/yellow - DIN	1
13	<u>VT0006964</u>	Push buttons box + cable + plug - 2 HS+2TS+ES	5,20 m - Jaune/yellow - DIN	1
13	<u>VT0006965</u>	Push buttons box + cable + plug - 2 HS+2TS+ES	5,70 m - Jaune/yellow - DIN	1

7) SWIVELLING TROLLEY



item	reference	description	observation	Quantity
1	52890304	Travelling motor TMK1C 400V.42 to 230VBIM	Charge / Load <= 1000 kg	2
1	52890303	Travelling motor TMK2C 400V.42 to 230VBIM	Charge / Load > 1000 kg	2
2	52311193	Motor fixing set	Vis + rondelle / Screw + washer	4
3	52299591	Idle flange + axle		2
4	52299593	Driving flange + axle		2
5	52299598	Idle flange set		2
6	52299599	Motor flange set		2
7	52725624	Tie rod - 66 to 110		1
7	52725625	Tie rod - 113 to 170		1
7	52725626	Tie rod - 178 to 240		1
7	52725627	Tie rod - 248 to 310		1
8	52725962	Travel wheel idler without shaft	C03 - C10 Ø 100x150 mm - Standard	2
9	52725963	Travel wheel driving	C03 - C10 Ø 100x150 mm - Standard	2
10	52725620	Buffer extension		2
11	52726001	Buffer	C02 - C03 - C05 - C10	2
12	52737088	Guiding wheel set		8
13	52737988	Cross bar only		2
14	53167932	Coupling part		1
15	53028503	Shaft set		1
16	52726053	Limit switch set	2 seuils / 2 steps	1
16	53111312	Limit switch set	L243 W200 H169.9 1 seuil / 1 brin	1