

Spare parts catalog for "VR12 Vario"

To avoid errors, when ordering please specify:

- Complete type of hoist
- Date of manufacture and serial number
- Spare part code
- Spare part designation
- Additional information



1) FRAME

- 1.1) Upper hook
- 1.2) Manual trolley
- 1.3) Electric trolley from 0 to 1000 kg
- 1.4) Electric trolley from 1001 to 2500 kg

2) CHAIN GUIDE

- 2.1) Chain guide 7x20 - 1 fall
- 2.2) Chain guide 7x20 - 2 falls
- 2.3) Precut chain

3) GEAR

- 4.1) Single brake
- 4.2) Double brakes

4) MOTOR

5) ELECTRICAL PARTS

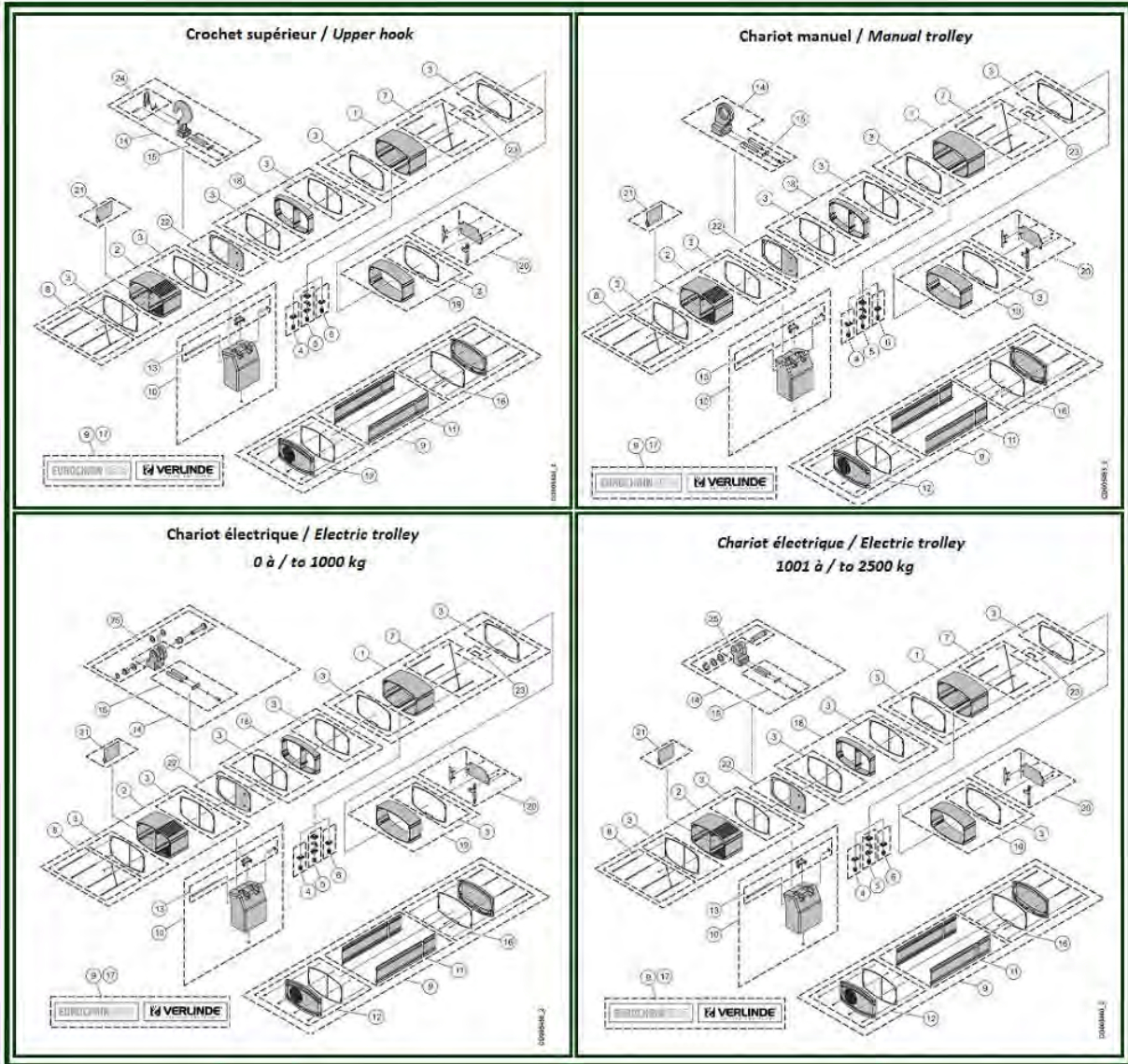
6) PUSH BUTTON CONTROLLER

- 6.1) 2 buttons
- 6.2) 4 buttons
- 6.3) 6 buttons
- 6.4) Push button controller - From september 2014

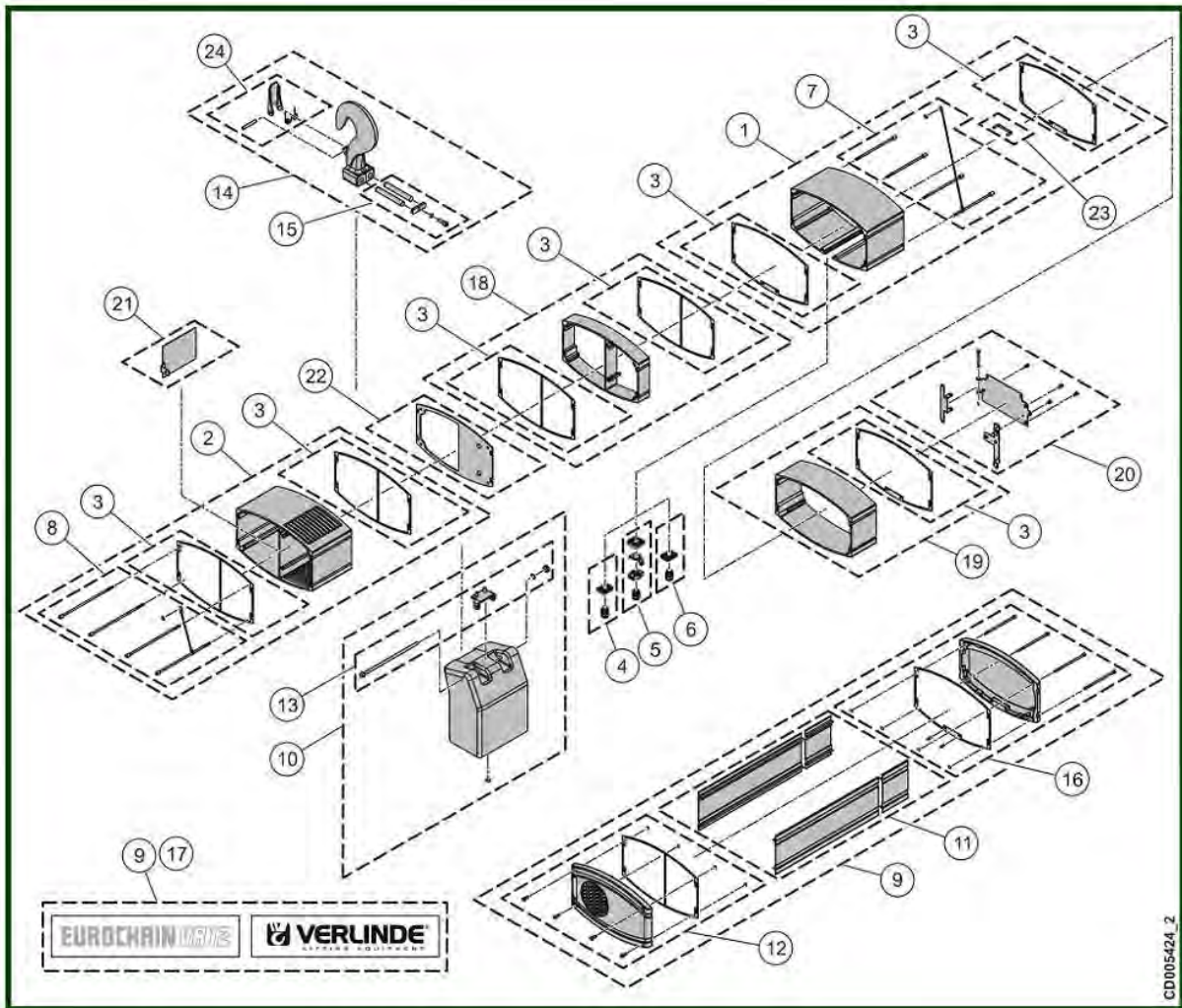
7) NORMAL HEADROOM TROLLEY

- 7.1) C1 trolley - 0 to 1000 kg - Hanging version
- 7.2) C1 trolley - 0 to 1000 kg - Coupled version
- 7.3) C2 trolley - 1001 to 2000 kg - Hanging version
- 7.4) C2 trolley - 1001 to 2000 kg - Coupled version
- 7.5) C3 trolley - 2001 to 3200 kg - Hanging version
- 7.6) C3 trolley - 2001 to 3200 kg - Coupled version

1) Frame



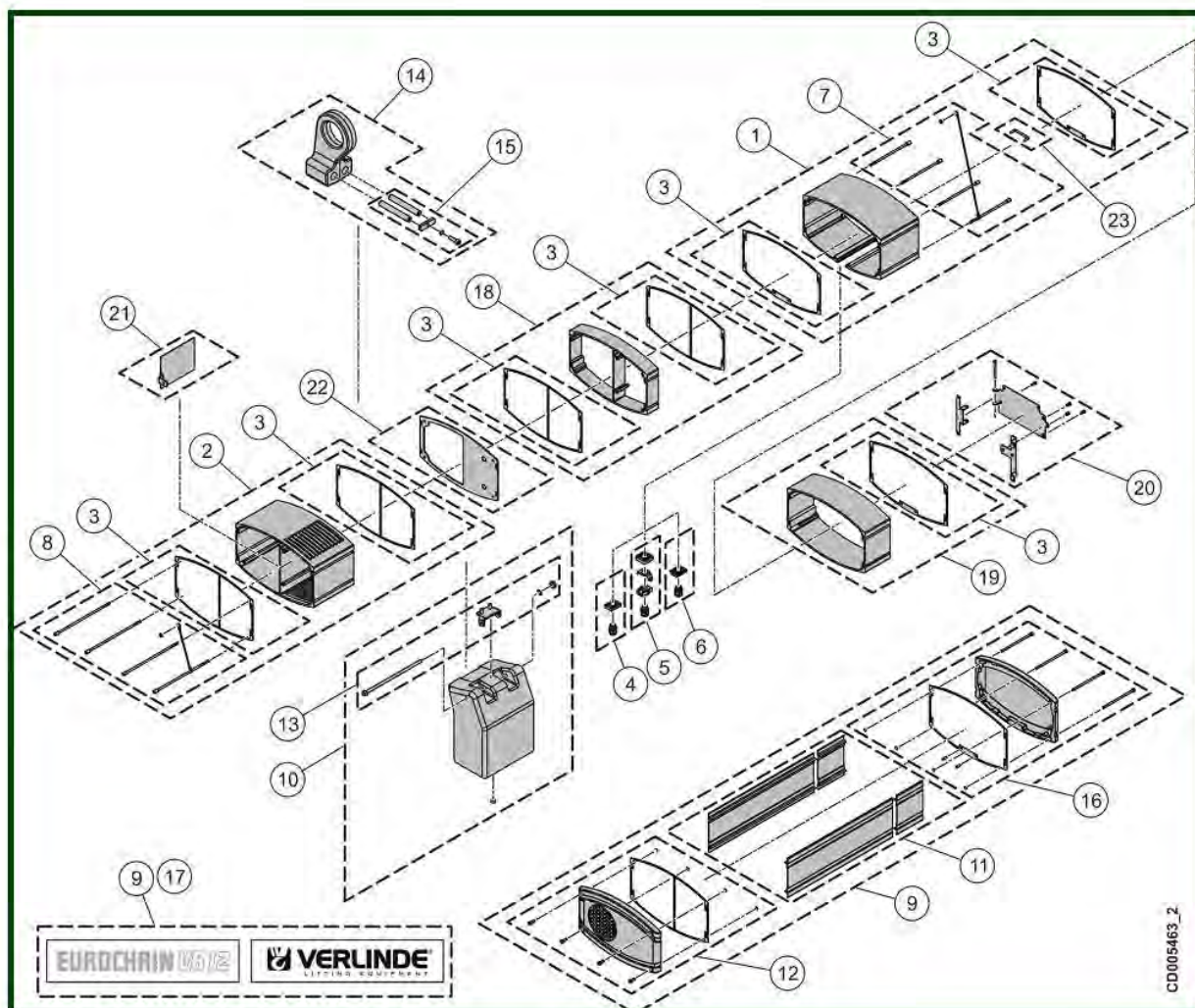
1.1) Upper hook



item	reference	description	observation	Quantity
1	VT0005547	Frame - Brake side	Simple frein / Single brake - Elliptique / Elliptic	1
2	VT0007655	Housing set - Motor side		1
3	VT0005548	Sealing set		1
4	VT0006393	Cable gland set - Square cable entry	CG M20- ISO 20 Chariot-Alimentation Trolley-Power supply	1
5	VT0005090	Cable gland set - Square cable entry	Boîte à boutons / Push button	1
6	VT0006089	End cap - Square cable entry		1
7	VT0005550	Screws set LG 182 - Brake side	Simple frein / single brake	1
8	VT0005549	Screws set LG 206 - Motor side	Simple frein / single brake	1
9	VT0007658	Frame	VERLINDE	1
10	VT0005552	Chain bucket	6 m pour/for 7x20 or 10 m f pour/for or 5x14 Sauf HPR / Except LHT	1
10	VT0006760	Chain bucket	16 m pour/for 7x20 Sauf HPR / Except LHT	1
10	VT0005622	Chain bucket	30 m pour/for 7x20 Sauf HPR / Except LHT	1
11	VT0007712	Set of housing	VERLINDE	1
12	VT0007713	End cap - Motor side	VERLINDE	1
13	VT0005560	Fixing set - Chain bucket		1
14	VT0005561	Upper hook		1
15	VT0005562	Shaft set		1
16	VT0007723	End cape - Brake side	VERLINDE	1
17	VT0005565	Stickers set - Brand	VERLINDE	1
18	VT0007727	Inverter cover set		1
19	VT0007732	Fixing part - Brake side		1

21	<u>VT0007726</u>	Brake resistor support		1
22	<u>VT0007654</u>	Intermediate plate		1
23	<u>VT0007653</u>	Locking part		1
24	<u>VT0005902</u>	Safety latch		1
-	<u>VT0006026</u>	Identification plate	Demande de numéro de série /Serial number request	1

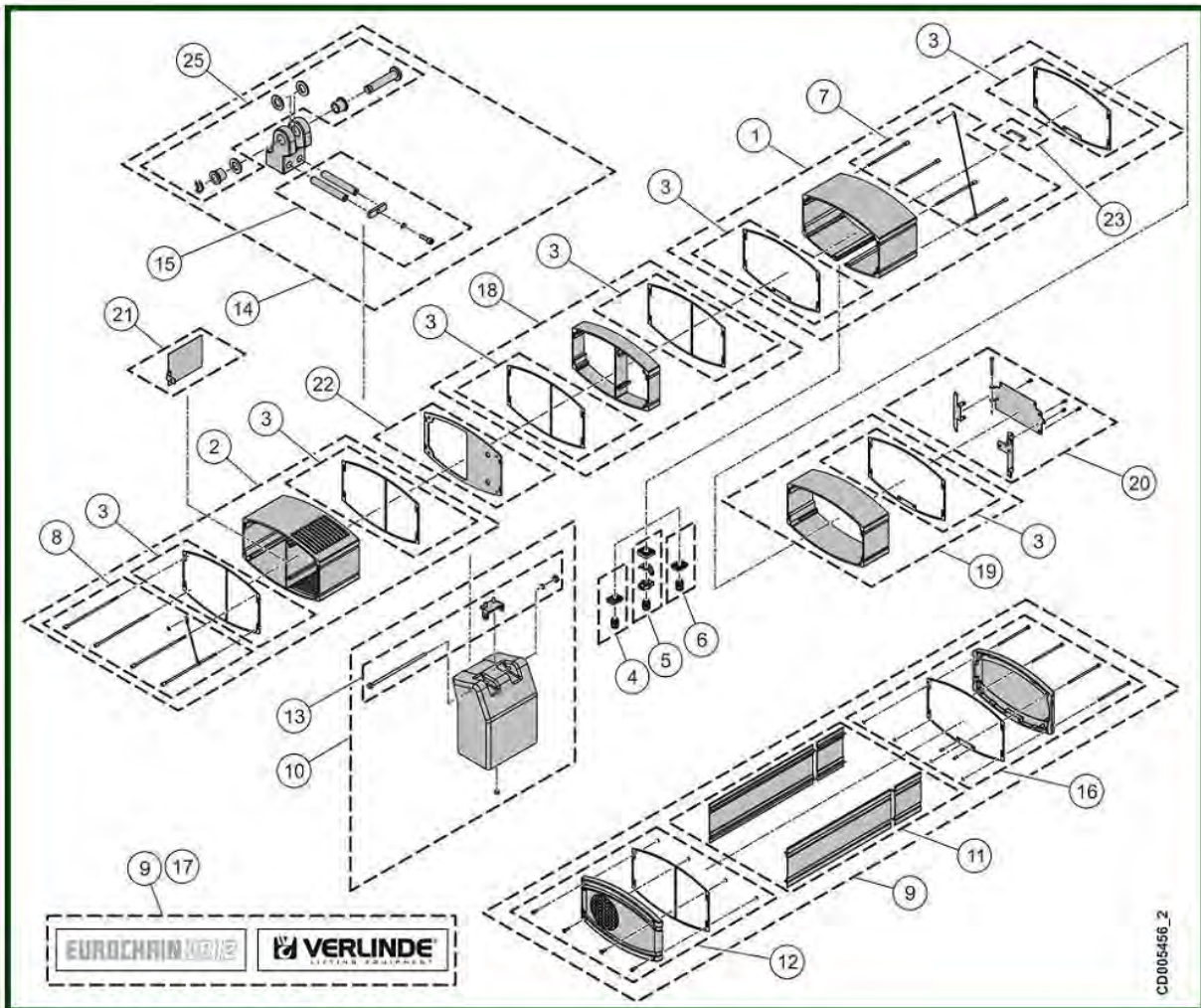
1.2) Manual trolley



item	reference	description	observation	Quantity
1	VT0005547	Frame - Brake side	Simple frein / Single brake - Elliptique / Elliptic	1
2	VT0007655	Housing set - Motor side		1
3	VT0005548	Sealing set		1
4	VT0006393	Cable gland set - Square cable entry	CG M20- ISO 20 Chariot-Alimentation Trolley-Power supply	1
5	VT0005090	Cable gland set - Square cable entry	Boîte à boutons / Push button	1
6	VT0006089	End cap - Square cable entry		1
7	VT0005550	Screws set LG 182 - Brake side	Simple frein / single brake	1
8	VT0005549	Screws set LG 206 - Motor side	Simple frein / single brake	1
9	VT0007658	Frame	VERLINDE	1
10	VT0005552	Chain bucket	6 m pour/for 7x20 or 10 m f pour/for or 5x14 Sauf HPR / Except LHT	1
10	VT0006760	Chain bucket	16 m pour/for 7x20 Sauf HPR / Except LHT	1
10	VT0005622	Chain bucket	30 m pour/for 7x20 Sauf HPR / Except LHT	1
11	VT0007712	Set of housing	VERLINDE	1
12	VT0007713	End cap - Motor side	VERLINDE	1
13	VT0005560	Fixing set - Chain bucket		1
14	VT0005848	Manual trolley		1
15	VT0005562	Shaft set		1
16	VT0007723	End cape - Brake side	VERLINDE	1
17	VT0005565	Stickers set - Brand	VERLINDE	1
18	VT0007727	Inverter cover set		1

19	<u>VT0007732</u>	Fixing part - Brake side		1
21	<u>VT0007726</u>	Brake resistor support		1
22	<u>VT0007654</u>	Intermediate plate		1
23	<u>VT0007653</u>	Locking part		1
24	<u>VT0005902</u>	Safety latch		1
-	<u>VT0006026</u>	Identification plate	Demande de numéro de série /Serial number request	1

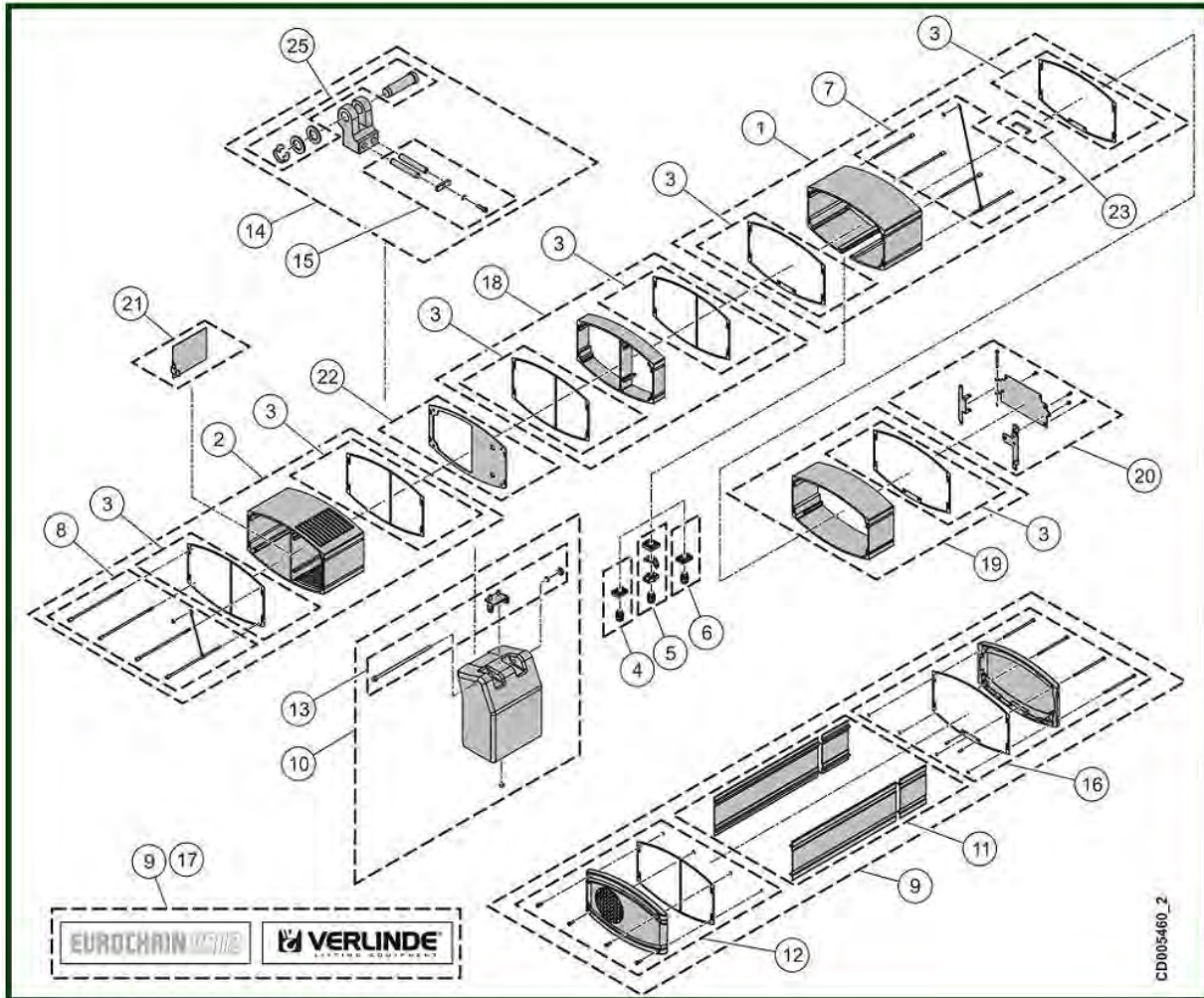
1.3) Electric trolley from 0 to 1000 kg



item	reference	description	observation	Quantity
1	VT0005547	Frame - Brake side	Simple frein / Single brake - Elliptique / Elliptic	1
2	VT0007655	Housing set - Motor side		1
3	VT0005548	Sealing set		1
4	VT0006393	Cable gland set - Square cable entry	CG M20- ISO 20 Chariot-Alimentation Trolley-Power supply	1
5	VT0005090	Cable gland set - Square cable entry	Boîte à boutons / Push button	1
6	VT0006089	End cap - Square cable entry		1
7	VT0005550	Screws set LG 182 - Brake side	Simple frein / single brake	1
8	VT0005549	Screws set LG 206 - Motor side	Simple frein / single brake	1
9	VT0007658	Frame	VERLINDE	1
10	VT0005552	Chain bucket	6 m pour/for 7x20 or 10 m f pour/for or 5x14 Sauf HPR / Except LHT	1
10	VT0006760	Chain bucket	16 m pour/for 7x20 Sauf HPR / Except LHT	1
10	VT0005622	Chain bucket	30 m pour/for 7x20 Sauf HPR / Except LHT	1
11	VT0007712	Set of housing	VERLINDE	1
12	VT0007713	End cap - Motor side	VERLINDE	1
13	VT0005560	Fixing set - Chain bucket		1
14	VT0005862	Couplings part - Electric trolley	0 à/to 1000 kg	1
15	VT0005562	Shaft set		1
16	VT0007723	End cape - Brake side	VERLINDE	1
17	VT0005565	Stickers set - Brand	VERLINDE	1
18	VT0007727	Inverter cover set		1
19	VT0007732	Fixing part - Brake side		1

21	<u>VT0007726</u>	Brake resistor support		1
22	<u>VT0007654</u>	Intermediate plate		1
23	<u>VT0007653</u>	Locking part		1
24	<u>VT0005902</u>	Safety latch		1
25	<u>VT0005976</u>	Shaft set - Electric trolley	0 à/to 1000 kg	1
-	<u>VT0006026</u>	Identification plate	Demande de numéro de série /Serial number request	1

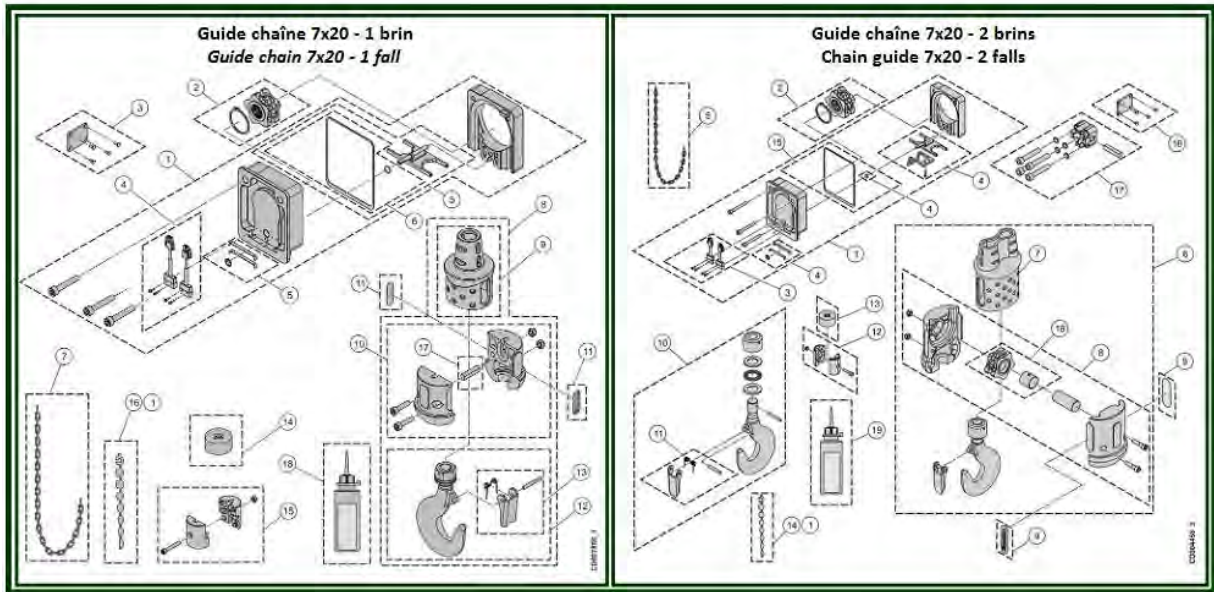
1.4) Electric trolley from 1001 to 2500 kg



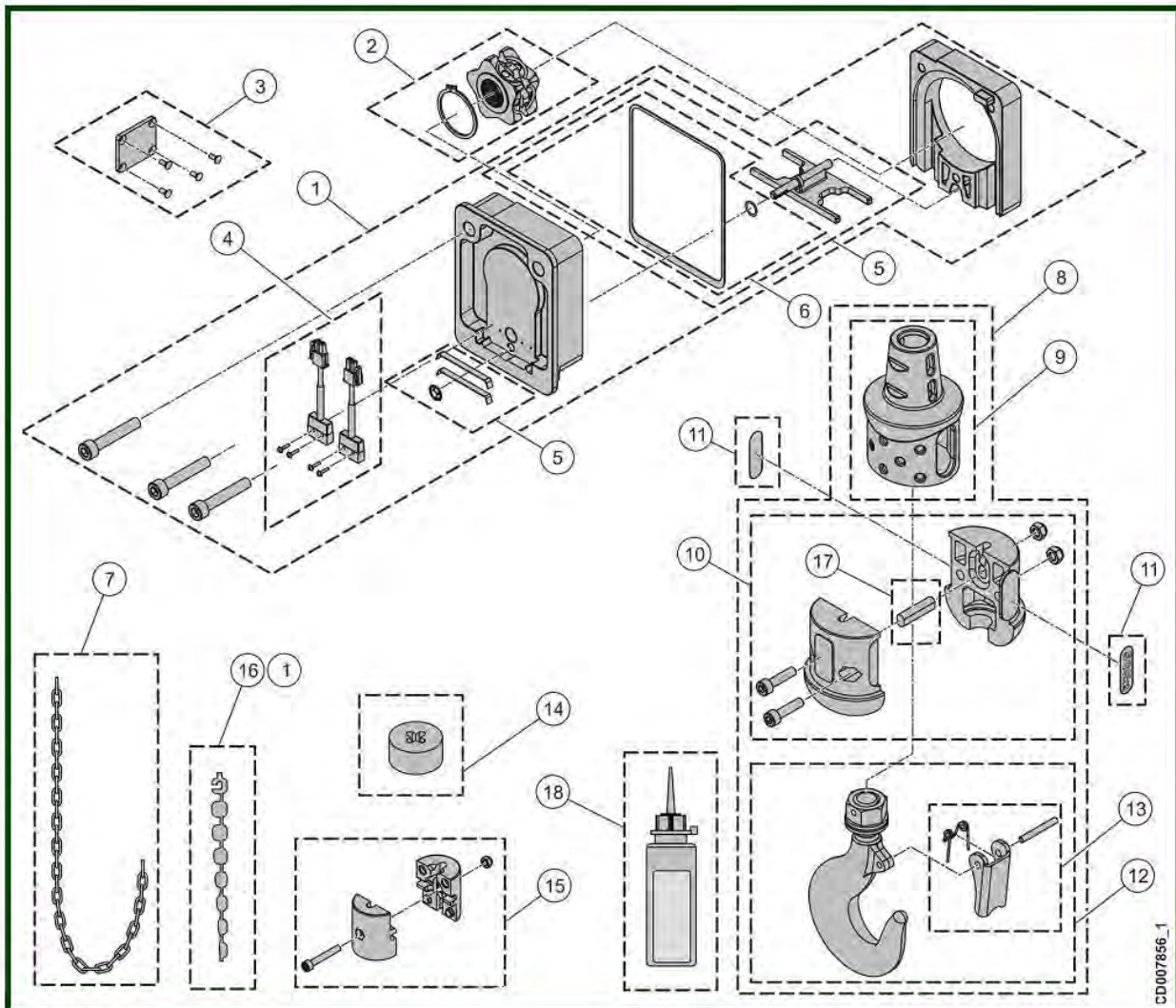
item	reference	description	observation	Quantity
1	VT0005547	Frame - Brake side	Simple frein / Single brake - Elliptique / Elliptic	1
2	VT0007655	Housing set - Motor side		1
3	VT0005548	Sealing set		1
4	VT0006393	Cable gland set - Square cable entry	CG M20- ISO 20 Chariot-Alimentation Trolley-Power supply	1
5	VT0005090	Cable gland set - Square cable entry	Boîte à boutons / Push button	1
6	VT0006089	End cap - Square cable entry		1
7	VT0005550	Screws set LG 182 - Brake side	Simple frein / single brake	1
8	VT0005549	Screws set LG 206 - Motor side	Simple frein / single brake	1
9	VT0007658	Frame	VERLINDE	1
10	VT0005552	Chain bucket	6 m pour/for 7x20 or 10 m f pour/for or 5x14 Sauf HPR / Except LHT	1
10	VT0006760	Chain bucket	16 m pour/for 7x20 Sauf HPR / Except LHT	1
10	VT0005622	Chain bucket	30 m pour/for 7x20 Sauf HPR / Except LHT	1
11	VT0007712	Set of housing	VERLINDE	1
12	VT0007713	End cap - Motor side	VERLINDE	1
13	VT0005560	Fixing set - Chain bucket		1
14	VT0005849	Couplings part - Electric trolley	1001 à/ to 2500 kg	1
15	VT0005562	Shaft set		1
16	VT0007723	End cape - Brake side	VERLINDE	1
17	VT0005565	Stickers set - Brand	VERLINDE	1
18	VT0007727	Inverter cover set		1
19	VT0007732	Fixing part - Brake side		1

21	<u>VT0007726</u>	Brake resistor support		1
22	<u>VT0007654</u>	Intermediate plate		1
23	<u>VT0007653</u>	Locking part		1
24	<u>VT0005902</u>	Safety latch		1
25	<u>VT0005975</u>	Shaft set - Electric trolley	1001 à/to 2500 kg	1
-	<u>VT0006026</u>	Identification plate	Demande de numéro de série /Serial number request	1

2) Chain guide



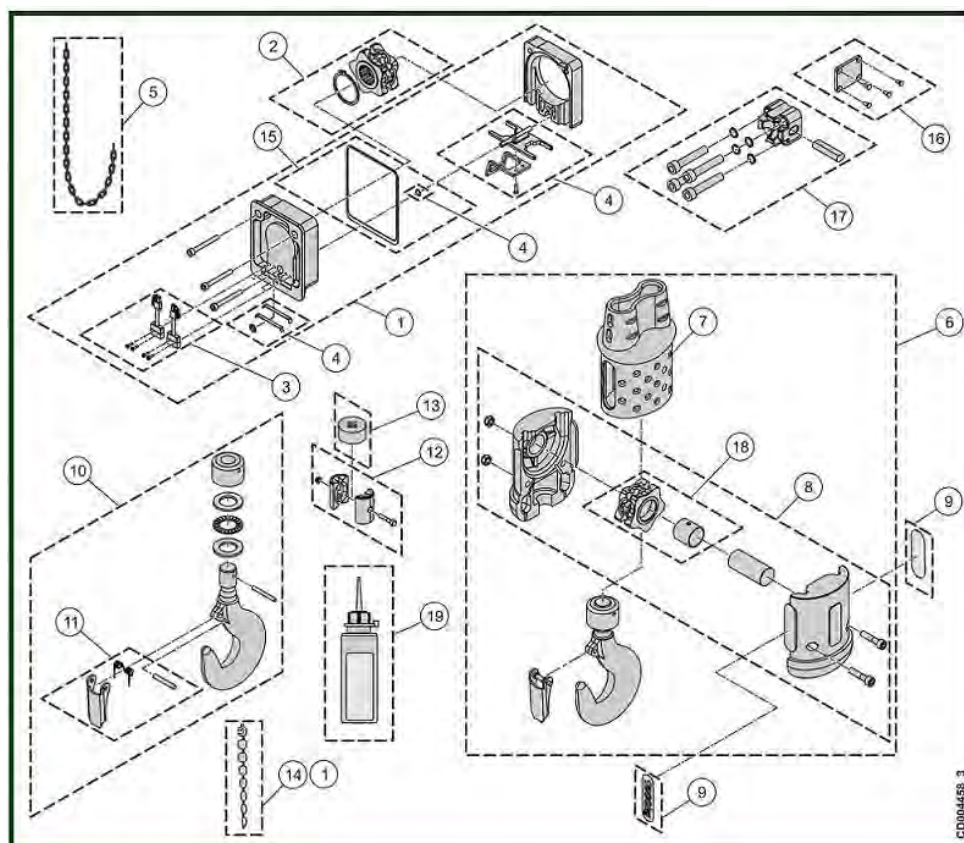
2.1) Chain guide 7x20 - 1 fall



item	reference	description	observation	Quantity
1	VT0005850	Chain guide - Chain 7x20	1 brin / 1 fall	1
2	VT0005851	Chain sprocket	1 brin / 1 fall	1
3	VT0005852	Cap		1
4	VT0004876	Switch set		1
5	VT0005853	Limit switch activator		1
6	VT0005854	Sealings set		1
7	VT0005544	Galvanized chain - 7x20	Standard	1
7	VT0006352	Stainless steel chain - 7x20	Attention : palan déclassé / Be careful : hoist downgraded	1
8	VT0006505	Complete hook block - 1 fall	Crochet automatique - Automatic hook	1
8	VT0006506	Complete hook block - 1 fall	Crochet inox - Stainless steel hook	1
8	VT0005847	Complete hook block - 1 fall	Crochet standard - Standard hook	1
9	VT0005855	Rubber chain stop		1
10	VT0005856	Hook component	Crochet standard-1 brin / Standard hook-1 fall	1
11	VT0005857	Set of 10 load plates - Hoist	500 Kg	1
11	VT0005858	Set of 10 load plates - Hoist	630 Kg	1
11	VT0005859	Set of 10 load plates - Hoist	1000 Kg	1
11	VT0005860	Set of 10 load plates - Hoist	1250 Kg	1
12	VT0006486	Automatic hook assembly		1
12	VT0006507	Stainless steel hook assembly	ATTENTION : Palan déclassé / BE CAREFUL : the max load have to be decreased	1
12	VT0005861	Standard hook		1
13	VT0005903	Safety latch	Crochet rotatif-1 brin / Rotary hook-1 fall	1
14	VT0005863	Rubber chain stop - Old model	2 brins : Ne pas monter sur le brin de chaîne de levage 2 falls : Never use as chain stop side hook	1

14	<u>VT0007572</u>	Rubber slack fall stop - Since novembre 2015		1
15	<u>VT0005864</u>	Chain stop	2 brins : Ne pas monter sur le brin de chaîne de levage 2 falls : Never use as chain stop side hook	1
16	<u>VT0005575</u>	Chain fitting tool		1
17	<u>VT0006371</u>	Pin	1 brin / 1 fall	1
18	<u>VT0006025</u>	Oil can		1

2.2) Chain guide 7x20 - 2 falls

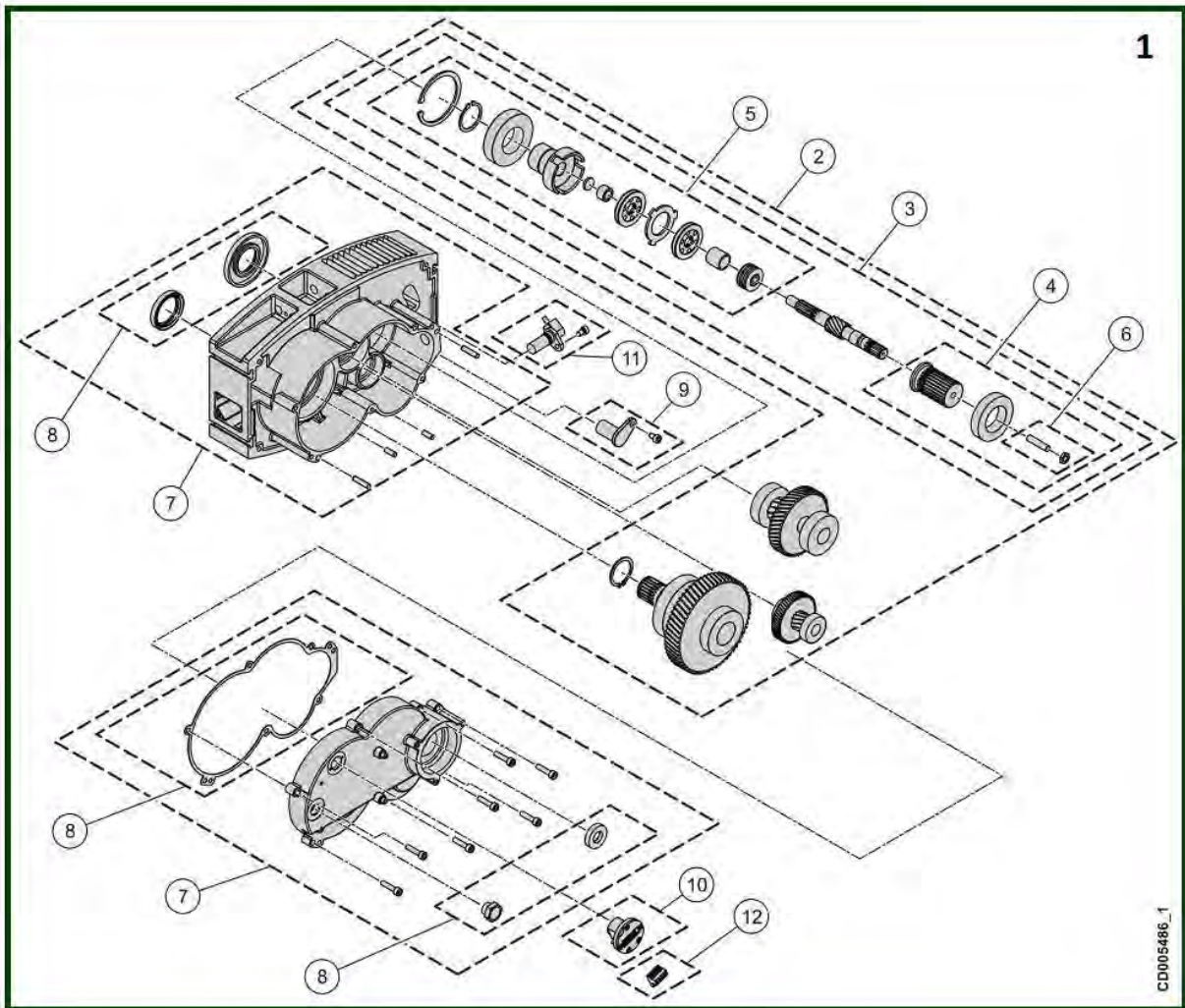


item	reference	description	observation	Quantity
1	VT0005865	Chain guide - Chain 7x20	2 brins / 2 falls	1
2	VT0005851	Chain sprocket	1 brin / 1 fall	1
3	VT0004876	Switch set		1
4	VT0005872	Limit switch activator		1
5	VT0005544	Galvanized chain - 7x20	Standard	1
5	VT0006352	Stainless steel chain - 7x20	Attention : palan déclassé / Be careful : hoist downgraded	1
6	VT0005867	Hook block - 2 falls	Crochet standard / Standard hook	1
7	VT0005868	Rubber chain stop	2 brins / 2 falls	1
8	VT0005883	Hook component	Crochet standard - Standard hook	1
8a	VT0005882	Return sprocket	2 brins / 2 falls	1
9	VT0005873	Set of 10 load plates	1600 Kg	1
9	VT0005874	Set of 10 load plates	2000 Kg	1
9	VT0005875	Set of 10 load plates	2500 Kg	1
10	VT0006519	Automatic hook assembly	BKT-10-10	1
10	VT0005884	Standard hook assembly		1
11	VT0005902	Safety latch		1
12	VT0005864	Chain stop	2 brins : Ne pas monter sur le brin de chaîne de levage 2 falls : Never use as chain stop side hook	1
13	VT0005863	Rubber chain stop - Old model	2 brins : Ne pas monter sur le brin de chaîne de levage 2 falls : Never use as chain stop side hook	1
14	VT0005575	Chain fitting tool		1
15	VT0005854	Sealings set		1
16	VT0005852	Cap		1
17	VT0005885	Fixing set	7x20 - 2 brins / 2 falls	1
-	VT0006025	Oil can		1

2.3) Precut chain

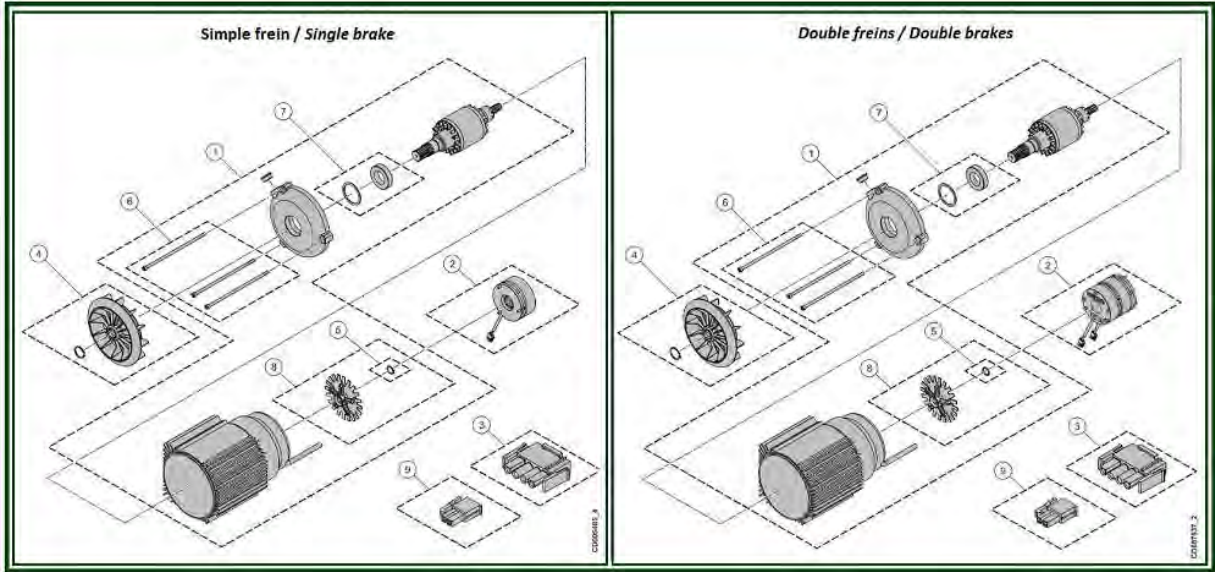
item	reference	description	observation	Quantity
	<u>53021120</u>	Galvanized load chain - 7x20	5 mètres / meters	1
	<u>53021122</u>	Galvanized load chain - 7x20	6 mètres / meters	1
	<u>53021782</u>	Galvanized load chain - 7x20	8 mètres / meters	1
	<u>53022502</u>	Galvanized load chain - 7x20	10 mètres / meters	1
	<u>53022511</u>	Galvanized load chain - 7x20	11 mètres / meters	1
	<u>53022512</u>	Galvanized load chain - 7x20	13 mètres / meters	1
	<u>53022523</u>	Galvanized load chain - 7x20	18 mètres / meters	1
	<u>53022525</u>	Galvanized load chain - 7x20	100 mètres / meters	1

3) Gear

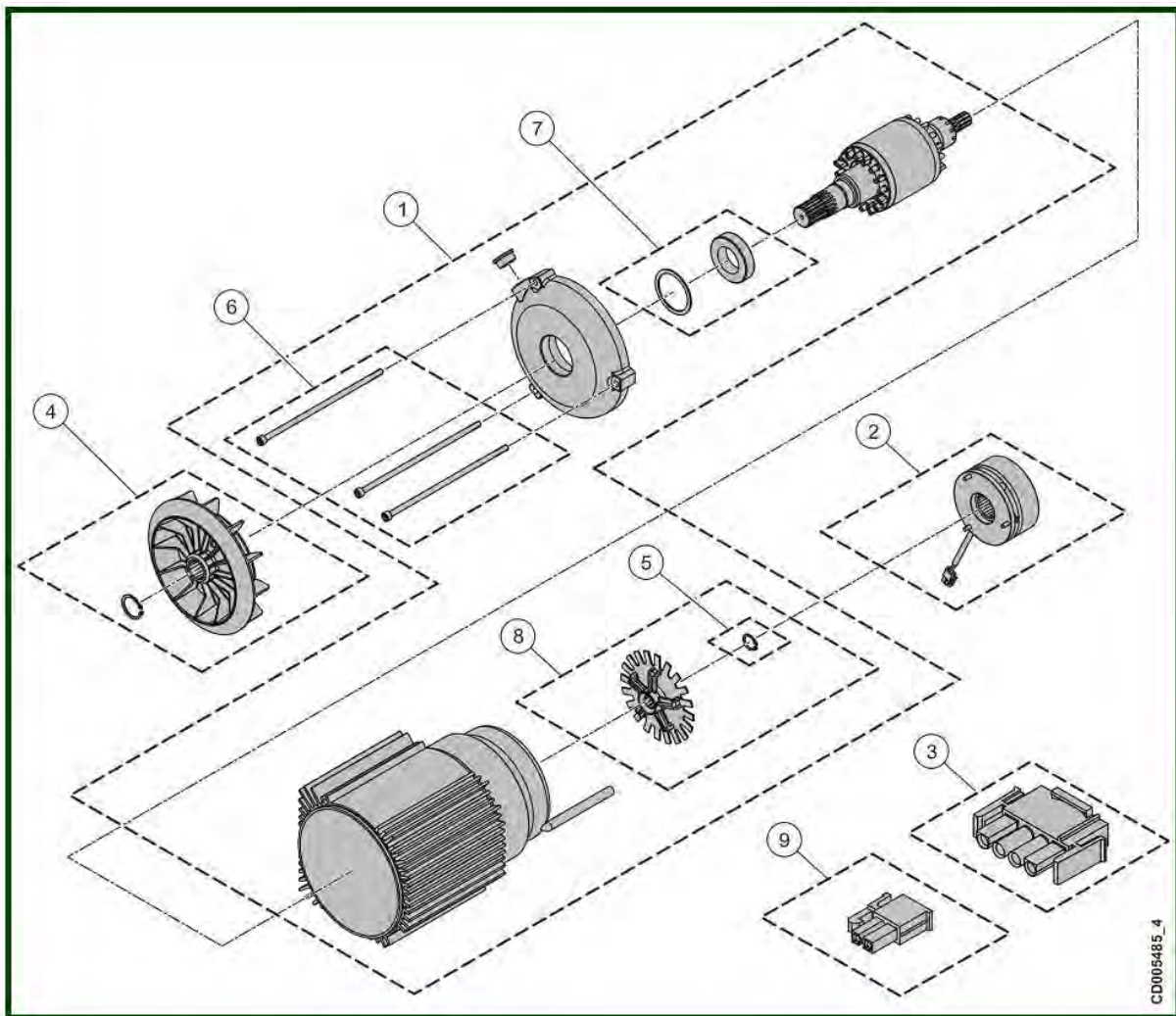


item	reference	description	observation	Quantity
1	VT0007733	Gear assembly - 10 m/ min	Simple frein / Single brake	1
1	VT0007734	Gear assembly - 20 m/ min	Simple frein / Single brake	1
2	VT0007739	Gear pinion set - 10 m/ min	Simple frein / Single brake	1
2	VT0007740	Gear pinion set - 20 m/ min	Simple frein / Single brake	1
3	VT0005896	Gear shaft with clutch	8-10-16-20m/min Simple frein / Single brake	1
4	VT0005897	Coupling - Brake side	Simple frein / Single brake	1
5	VT0007747	Clutch with retaining ring		1
6	VT0005898	Screws set		1
7	VT0007746	Frame		1
8	VT0005899	Sealings set	EC	1
9	VT0007754	Encoder	Vitesse moteur / Motor speed	1
10	VT0007753	Overload sensor		1
11	VT0007755	Encoder	Vitesse arbre GV / Shaft speed	1
12	VT0006562	Male plug		1

4) Motor

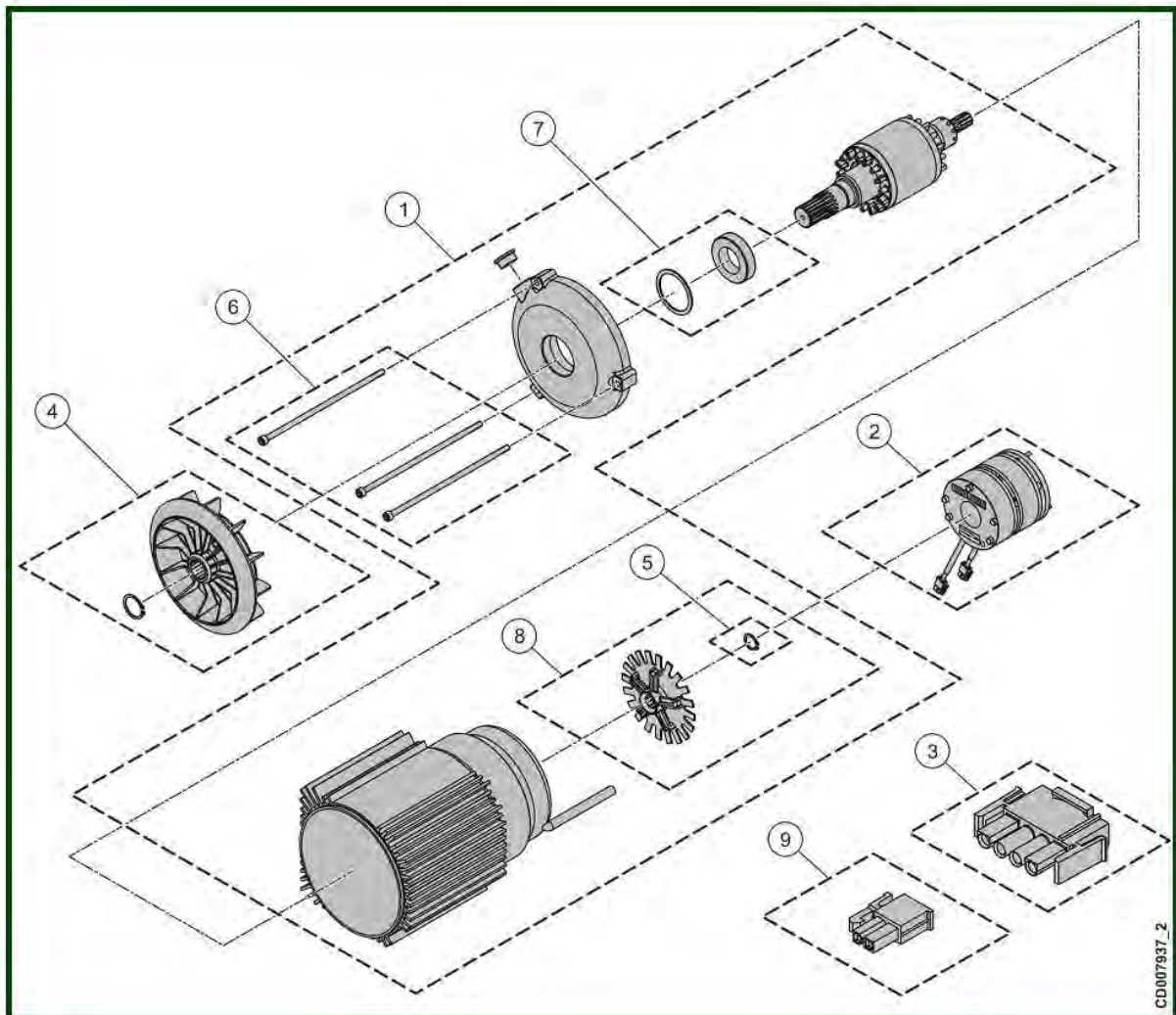


4.1) Single brake



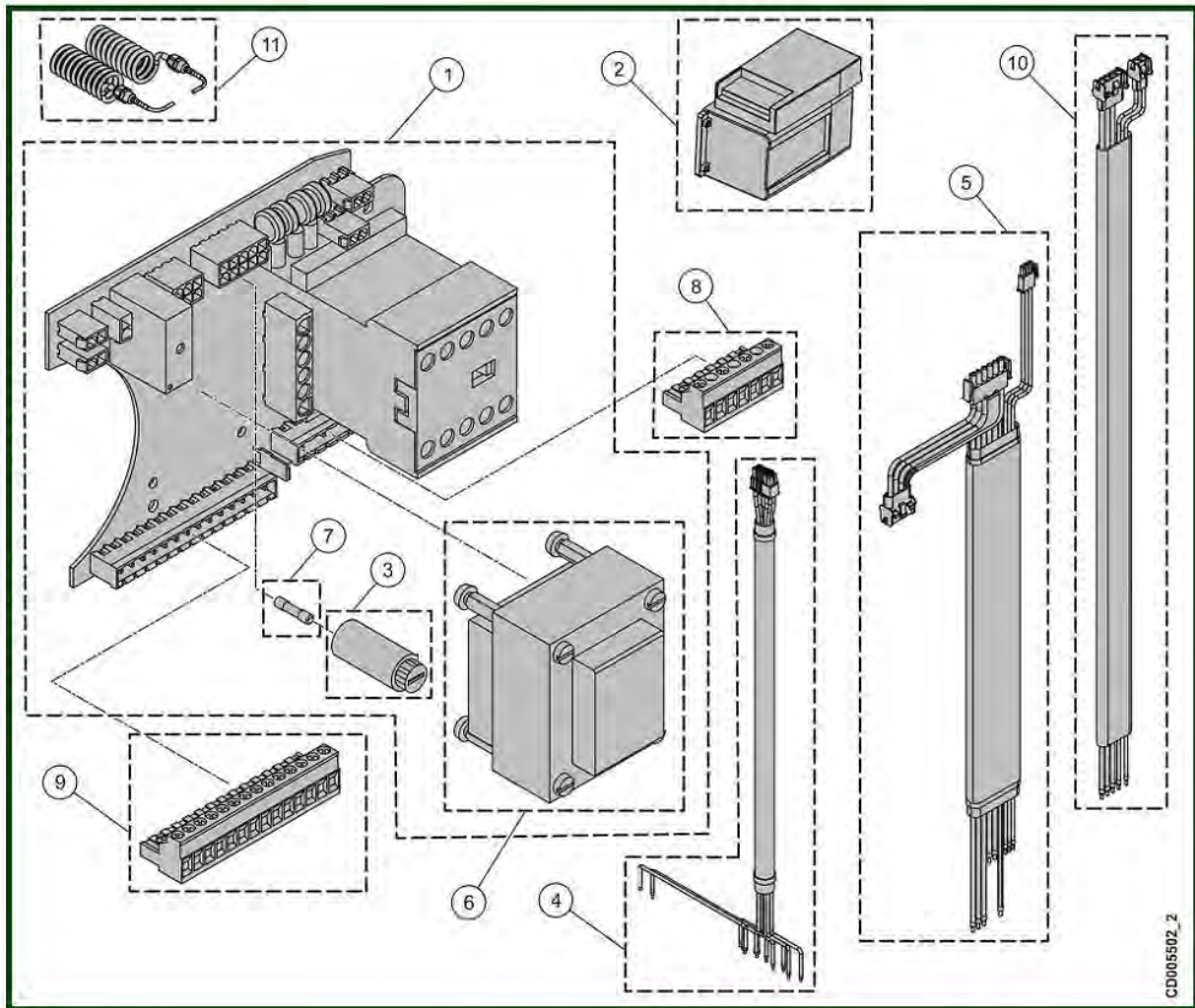
item	reference	description	observation	Quantity
1	VT0007760	Motor - 1 speed	380-415V 50Hz / 440-480V 60Hz	1
2	VT0005620	Single brake	190 V	1
3	VT0007298	Female connector		1
4	VT0005915	Fan set		1
5	VT0005916	Retaining ring		1
6	VT0005917	Screw set		1
7	VT0005912	Bearing set		1
8	VT0007961	Encoder disc + retaining ring		1
9	VT0007297	Connector		1

4.2) Double brakes



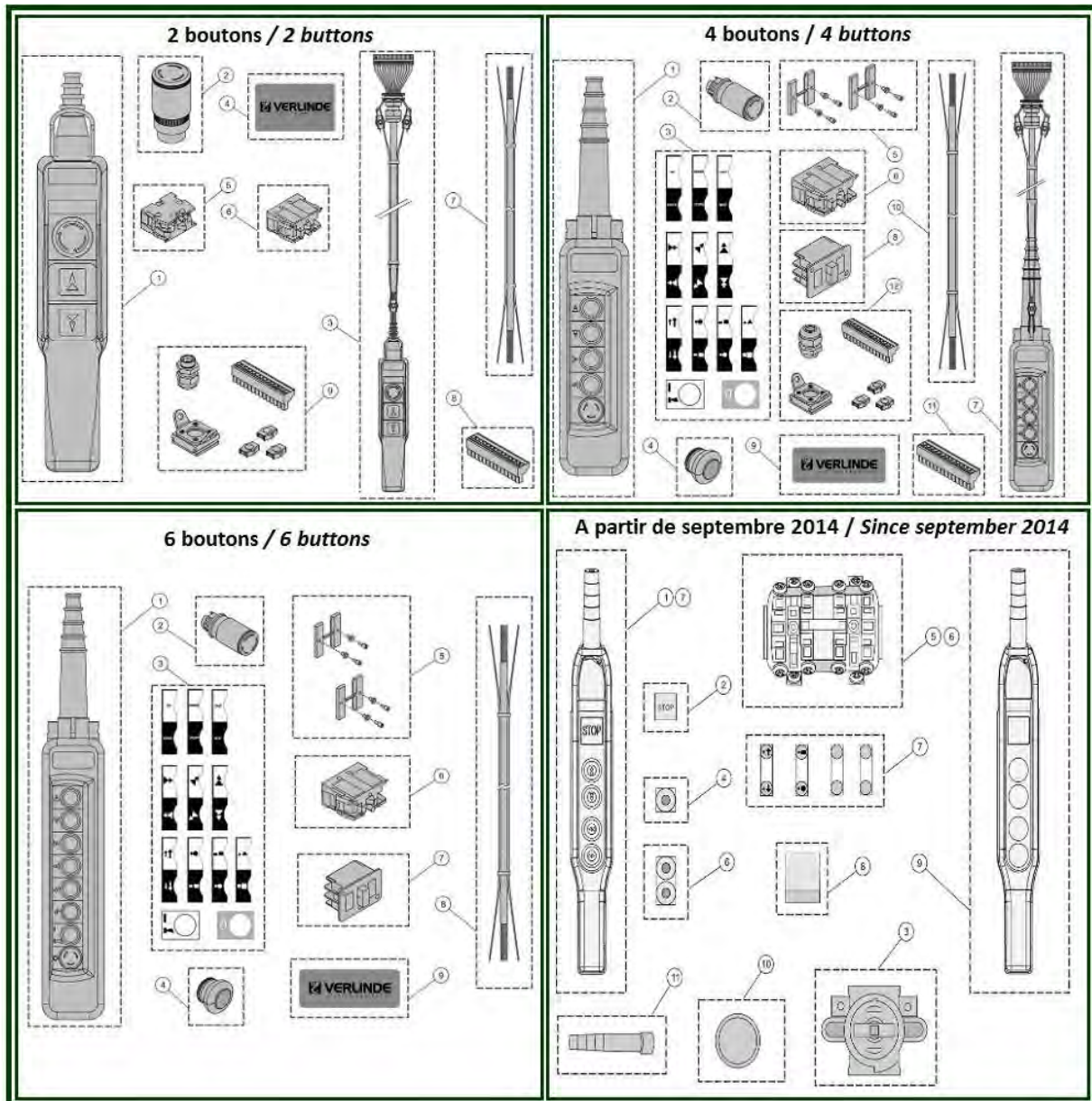
item	reference	description	observation	Quantity
1	VT0007760	Motor - 1 speed	380-415V 50Hz / 440-480V 60Hz	1
2	VT0006551	Double brakes	190 V	1
3	VT0007298	Female connector		1
4	VT0005915	Fan set		1
5	VT0005916	Retaining ring		1
6	VT0005917	Screw set		1
7	VT0005912	Bearing set		1
8	VT0007961	Encoder disc + retaining ring		1
9	VT0007297	Connector		1

5) Electrical parts

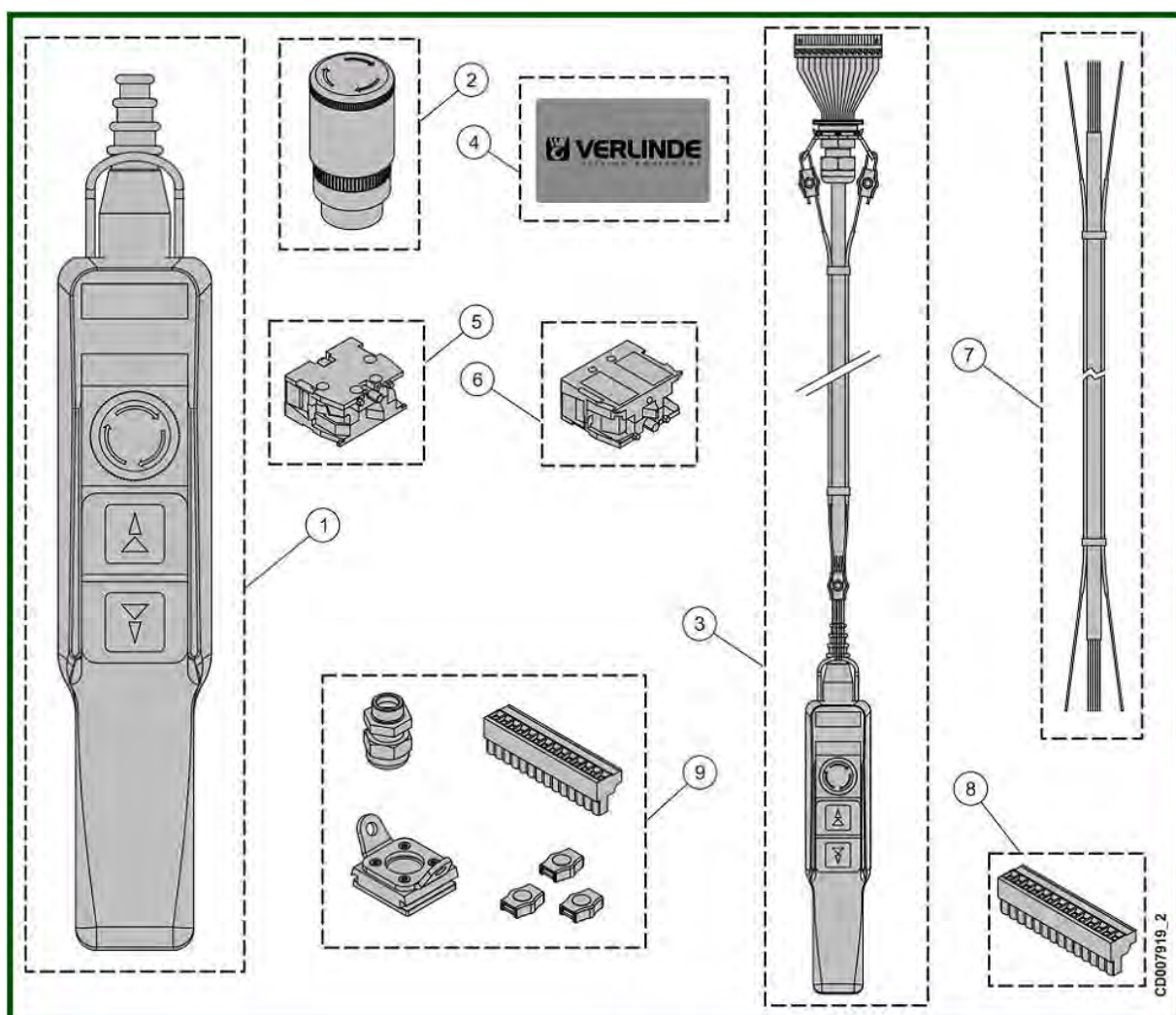


item	reference	description	observation	Quantity
1	VT0007269	Electrical board	380V-415V / 48V - 50/60HZ	1
1	VT0007270	Electrical board	380V-415V / 115V	1
1	VT0007273	Electrical board	460V / 48V	1
1	VT0007274	Electrical board	460V / 110V - 50/60Hz	1
2	VT0007275	Inverter	380V-480V - 50/60Hz	1
3	VT0006191	Fuse base		1
4	VT0007277	Wire harness - Plug control voltage		1
5	VT0006757	Wire harness - Plug power voltage		1
6	VT0004953	Transformer	400V / 48V - 50/60Hz	1
6	VT0004951	Transformer	400V / 115V - 50/60Hz	1
6	VT0006437	Transformer	460V / 48V	1
6	VT0006440	Transformer	460V / 110V 50/60Hz	1
7	VT0004915	Set of 10 fuses	48V	1
7	VT0004955	Set of 10 fuses	115V	1
8	VT0005107	Connector	4P	1
9	VT0005108	Connector	14P	1
10	VT0006758	Linking cable	380-480V 50/60Hz	1
11	VT0007278	Resistor	1200W	1

6) Push button controller

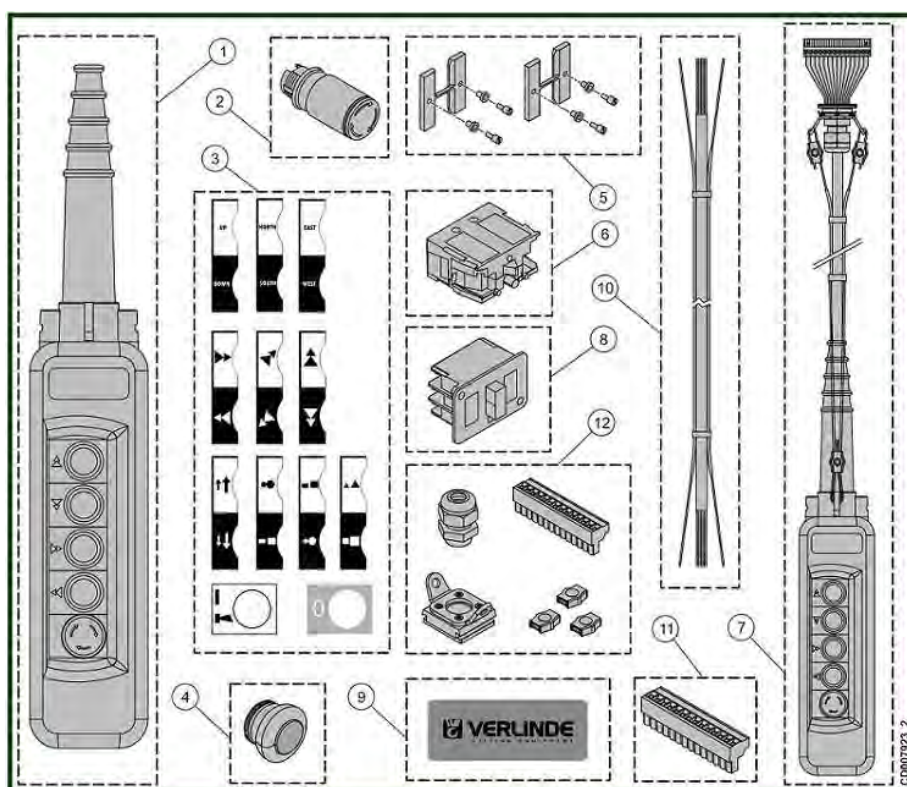


6.1) 2 buttons



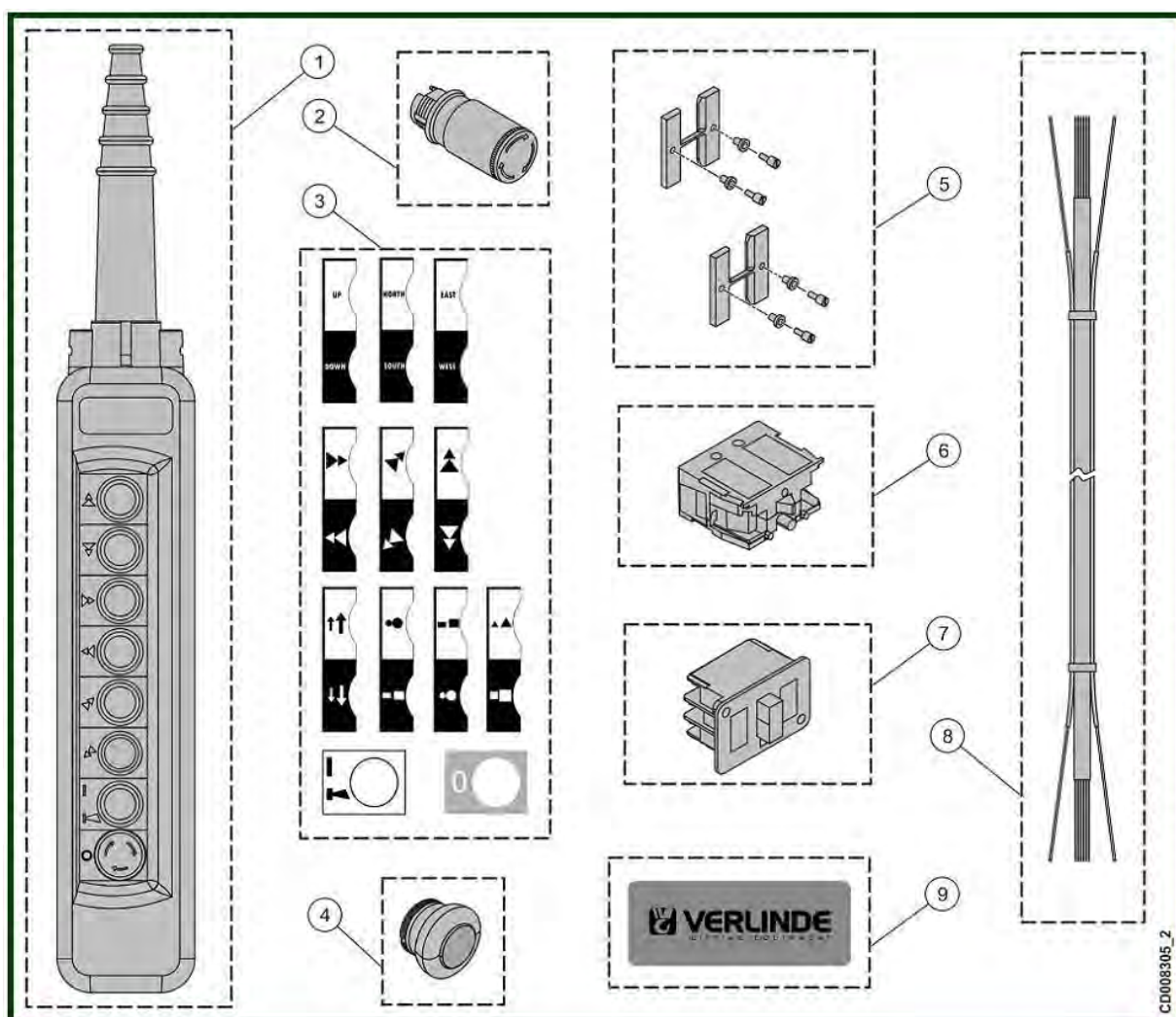
item	reference	description	observation	Quantity
1	VT0005061	Pendant controller - 2HS+ES	Jaune / Yellow	1
2	VT0006547	Emergency push button		1
3	VT0005612	Pendant with cable - 2HS+ES	2,2 m - Jaune / Yellow - CE	1
3	VT0005613	Pendant with cable - 2HS+ES	2,7 m - Jaune / Yellow - CE	1
3	VT0005614	Pendant with cable - 2HS+ES	3,2 m - Jaune / Yellow - CE	1
3	VT0005615	Pendant with cable - 2HS+ES	3,7 m - Jaune / Yellow - CE	1
3	VT0005616	Pendant with cable - 2HS+ES	4,2 m - Jaune / Yellow - CE	1
3	VT0005617	Pendant with cable - 2HS+ES	4,7 m - Jaune / Yellow - CE	1
3	VT0005618	Pendant with cable - 2HS+ES	5,2 m - Jaune / Yellow - CE	1
3	VT0005619	Pendant with cable - 2HS+ES	5,7 m - Jaune / Yellow - CE	1
4	VT0007837	Branding sticker	VERLINDE	1
5	VT0005064	Contact block	ZB2-BE101	1
6	VT0005066	Contact block	ZB2-BE 102	1
7	VT0006746	Cable	5x1,5 mm2 - CE	1
8	VT0005108	Connector	14P	1
9	VT0007583	Pendant plug set	ISO	1

6.2) 4 buttons



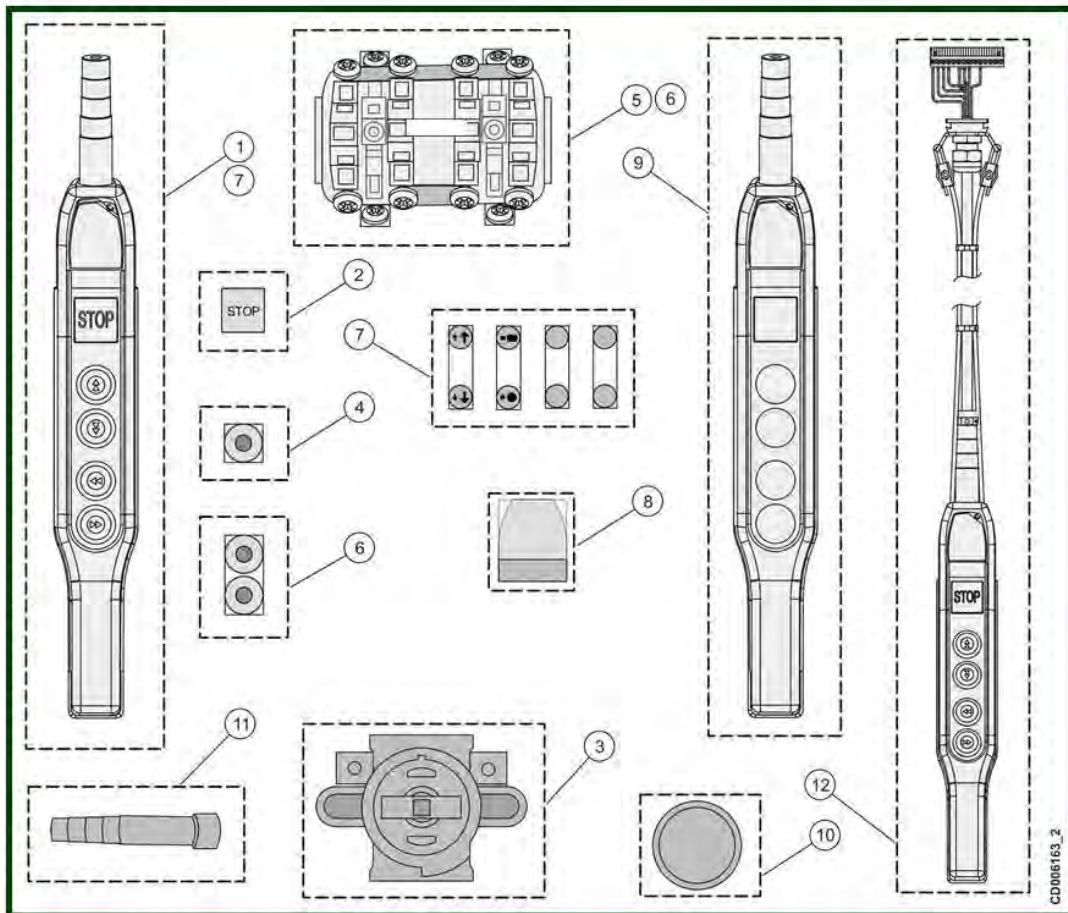
item	reference	description	observation	Quantity
1	VT0005055	Pendant controller 2HS+2TS+ES	Jaune / Yellow	1
2	VT0006548	Emergency push button		1
3	VT0007882	Set of direction symbols		1
4	VT0005063	Push button		1
5	VT0005072	Mechanical interlock		2
6	VT0005066	Contact block	ZB2-BE 102	1
7	VT0006060	Pendant with cable 2HS+2TS+ES	4,7 m - Jaune / Yellow	1
7	VT0006055	Pendant with cable 2HS+2TS+ES	2,2 m - Jaune / Yellow	1
7	VT0006061	Pendant with cable 2HS+2TS+ES	5,2 m - Jaune / Yellow	1
7	VT0006056	Pendant with cable 2HS+2TS+ES	2,7 m - Jaune / Yellow	1
7	VT0006059	Pendant with cable 2HS+2TS+ES	4,2 m - Jaune / Yellow	1
7	VT0006062	Pendant with cable 2HS+2TS+ES	5,7 m - Jaune / Yellow	1
7	VT0006057	Pendant with cable 2HS+2TS+ES	3,2 m - Jaune / Yellow	1
7	VT0006058	Pendant with cable 2HS+2TS+ES	3,7 m - Jaune / Yellow	1
8	VT0007879	Contact block	XENG1191	1
9	VT0007880	Sticker of brand	VERLINDE	1
10	VT0006747	Cable - 8x1,5mm2	mètre / meter	1
11	VT0005108	Connector	14P	1
12	VT0007583	Pendant plug set	ISO	1

6.3) 6 buttons



item	reference	description	observation	Quantity
1	VT0005058	Pendant controller 2HS+2TS+2LS+ON-OFF	Jaune / Yellow	1
2	VT0006548	Emergency push button		1
3	VT0007882	Set of direction symbols		1
4	VT0005063	Push button		1
5	VT0005072	Mechanical interlock		2
6	VT0005066	Contact block	ZB2-BE 102	1
7	VT0007879	Contact block	XENG1191	1
8	VT0008073	Cable	16x1.52mm ² - mètre/metter	1
8	VT0008074	Cable	20x1.5mm ² - mètre/metter	1
9	VT0007880	Sticker of brand	VERLINDE	1
-	VT0005108	Connector	14P	1

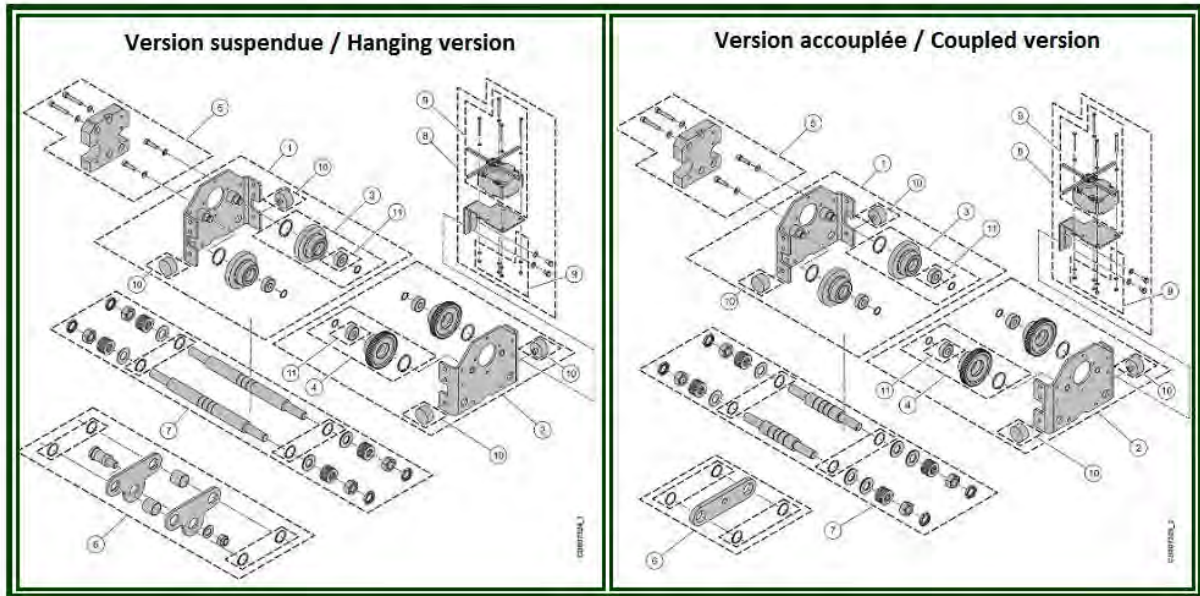
6.4) Push button controller - From september 2014



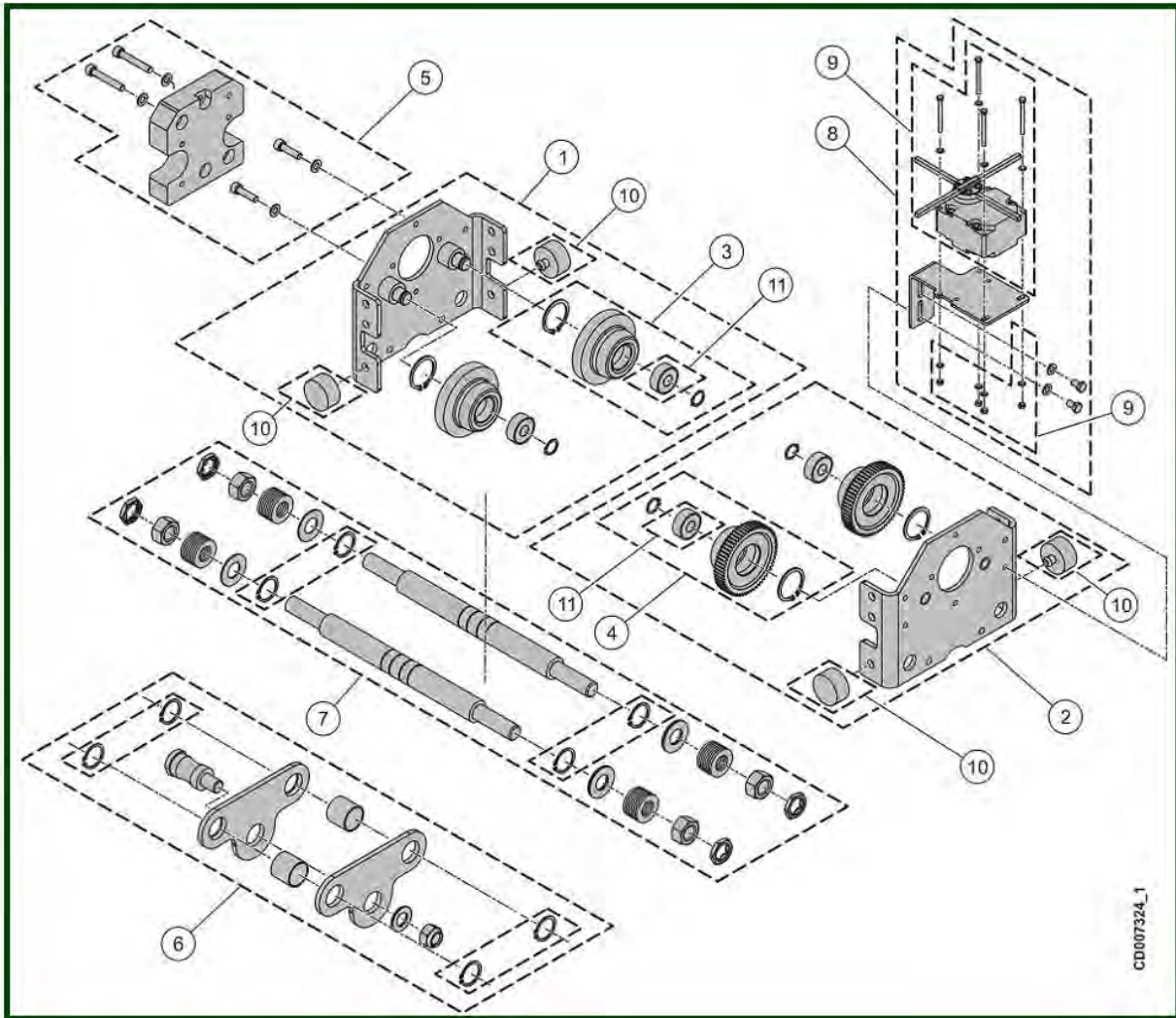
item	reference	description	observation	Quantity
1	VT0006495	Push buttons box - 2 HS+2TS+ES	Jaune - 4 boutons / Yellow - 4 buttons	1
1	VT0006493	Push buttons box - 2 HS+ES	Jaune - 2 boutons / Yellow - 2 buttons	1
2	VT0006509	Emergency push button		1
3	VT0006510	Emergency stop contact block		1
4	VT0006511	Rubber push button		1
5	VT0006513	Contact block	2 vitesses / 2 steps	1
6	VT0006514	Set of 2 push buttons + contact block		1
7	VT0006754	Stickers - Direction symbols	ANSI	1
7	VT0006752	Stickers - Direction symbols	DIN	1
7	VT0006753	Stickers - Direction symbols	FIN-SEN	1
8	VT0006496	Stickers - Brand	VERLINDE	1
9	VT0006515	Pendant housing	Jaune - 2 boutons / Yellow - 2 buttons	1
9	VT0006518	Pendant housing	Jaune - 4 boutons / Yellow - 4 buttons	1
10	VT0006517	Magnet		1
10	VT0006516	Rubber part		1
11	VT0007032	Cable bushing		1
12	VT0006958	Push buttons box + cable + plug - 2 HS+ES	2,20 m - Jaune/yellow - DIN	1
12	VT0006951	Push buttons box + cable + plug - 2 HS+ES	2,70 m - Jaune/yellow - DIN	1
12	VT0006952	Push buttons box + cable + plug - 2 HS+ES	3,20 m - Jaune/yellow - DIN	1
12	VT0006953	Push buttons box + cable + plug - 2 HS+ES	3,70 m - Jaune/yellow - DIN	1
12	VT0006954	Push buttons box + cable + plug - 2 HS+ES	4,20 m - Jaune/yellow - DIN	1
12	VT0006955	Push buttons box + cable + plug - 2 HS+ES	4,70 m - Jaune/yellow - DIN	1
12	VT0006956	Push buttons box + cable + plug - 2 HS+ES	5,20 m - Jaune/yellow - DIN	1
12	VT0006957	Push buttons box + cable + plug - 2 HS+ES	5,70 m - Jaune/yellow - DIN	1
13	VT0006959	Push buttons box + cable + plug - 2 HS+2TS+ES	2,20 m - Jaune/yellow - DIN	1
13	VT0006966	Push buttons box + cable + plug - 2 HS+2TS+ES	2,70 m - Jaune/yellow - DIN	1

13	<u>VT0006960</u>	Push buttons box + cable + plug - 2 HS+2TS+ES	3,20 m - Jaune/yellow - DIN	1
13	<u>VT0006961</u>	Push buttons box + cable + plug - 2 HS+2TS+ES	3,70 m - Jaune/yellow - DIN	1
13	<u>VT0006962</u>	Push buttons box + cable + plug - 2 HS+2TS+ES	4,20 m - Jaune/yellow - DIN	1
13	<u>VT0006963</u>	Push buttons box + cable + plug - 2 HS+2TS+ES	4,70 m - Jaune/yellow - DIN	1
13	<u>VT0006964</u>	Push buttons box + cable + plug - 2 HS+2TS+ES	5,20 m - Jaune/yellow - DIN	1
13	<u>VT0006965</u>	Push buttons box + cable + plug - 2 HS+2TS+ES	5,70 m - Jaune/yellow - DIN	1

7) Normal Headroom Trolley

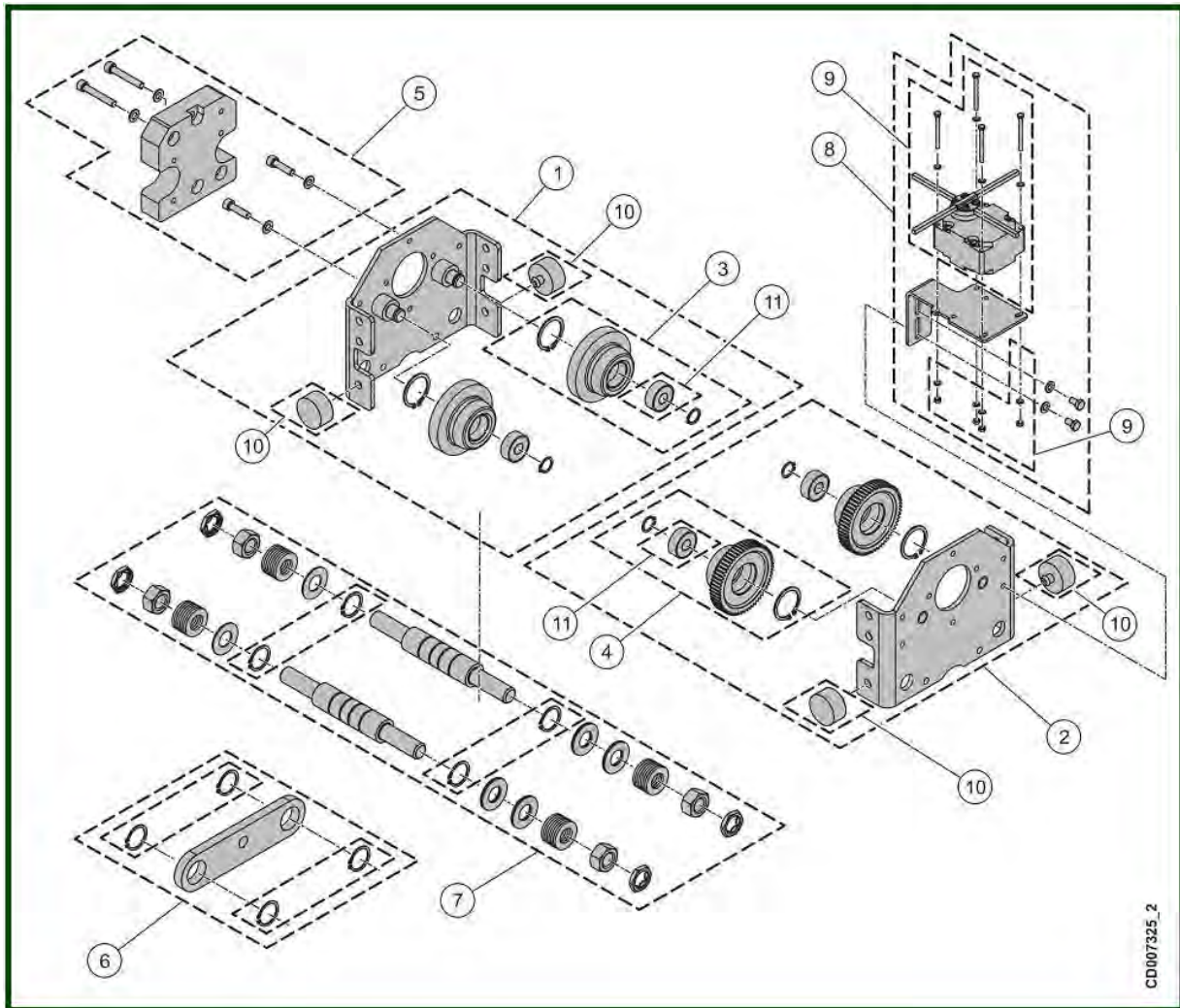


7.1) C1 trolley - 0 to 1000 kg - Hanging version



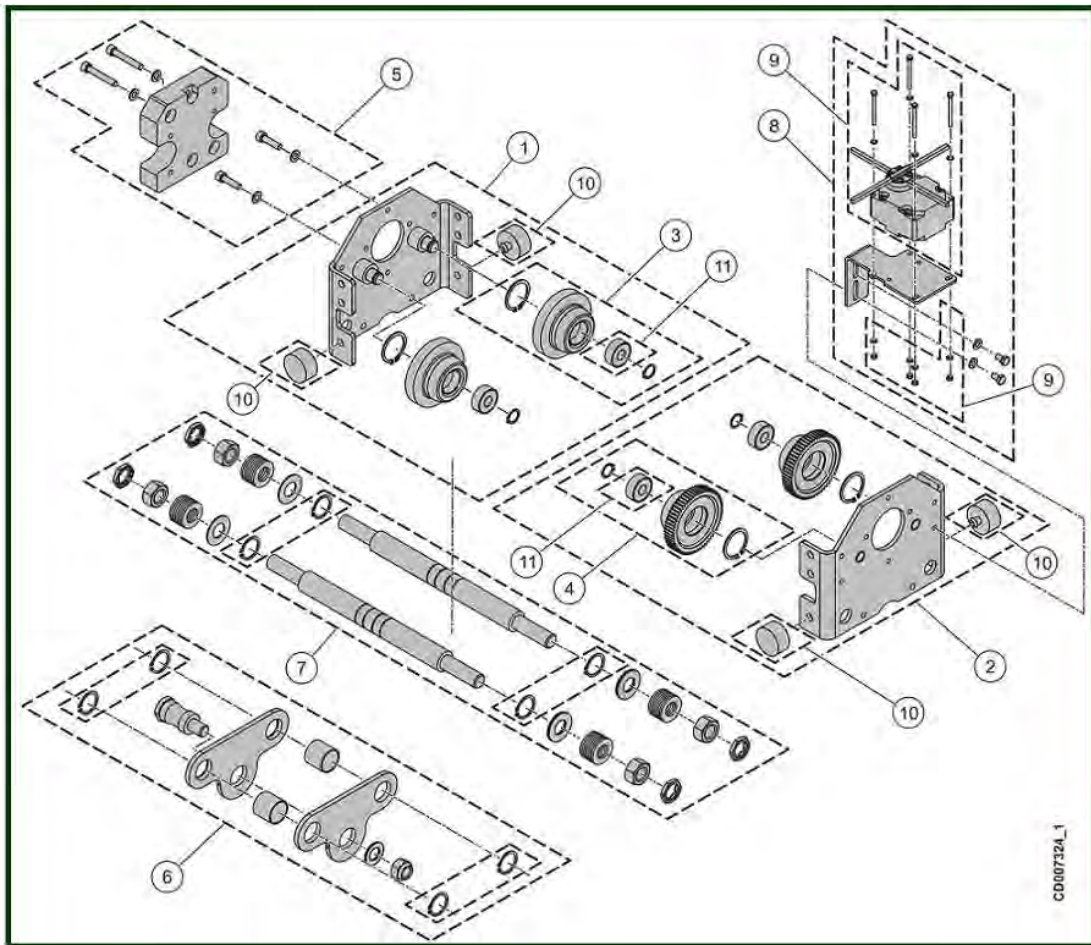
item	reference	description	observation	Quantity
1	VT0007051	Idler side plate assembly		1
2	VT0007066	Drive side plate assembly		1
3	VT0007061	Complete set of travel wheel without shaft		1
4	VT0007063	Set driving wheel without shaft	Ø 62 - 93 mm	1
5	VT0007062	Set of counterweight		1
6	VT0007064	Coupling part	Version suspendue / Hanging version	1
7	VT0007026	Tie rod set beam - 55 to 100 mm	Tirant monobloc depuis 1999 / Monobloc tie road since 1999 Hook and coupling suspension	1
7	VT0007027	Tie rod set beam - 106 to 150 mm	Tirant monobloc depuis 1999 / Monobloc tie road since 1999 Hook and coupling suspension	1
7	VT0007028	Tie rod set beam - 155 to 200 mm	Tirant monobloc depuis 1999 / Monobloc tie road since 1999 Hook and coupling suspension	1
7	VT0007029	Tie rod set beam - 206 to 248 mm	Tirant monobloc depuis 1999 / Monobloc tie road since 1999 Hook and coupling suspension	1
7	VT0007030	Tie rod set beam - 260 to 307 mm	Tirant monobloc depuis 1999 / Monobloc tie road since 1999 Hook and coupling suspension	1
7	VT0007031	Tie rod set beam - 308 to 310 mm	Tirant monobloc depuis 1999 / Monobloc tie road since 1999 Hook and coupling suspension	1
8	VT0007098	Limit switch - 1 step		1
8	VT0008775	Limit switch - 2 steps		1
9	VT0008776	Travelling limit switch assembly - 1 step		1
9	VT0008777	Travelling limit switch assembly - 2 steps		1
10	VT0009357	Buffer	D40x20 - For C1 to C5 trolley	1
11	VT0007091	Ball Bearing		1

7.2) C1 trolley - 0 to 1000 kg - Coupled version



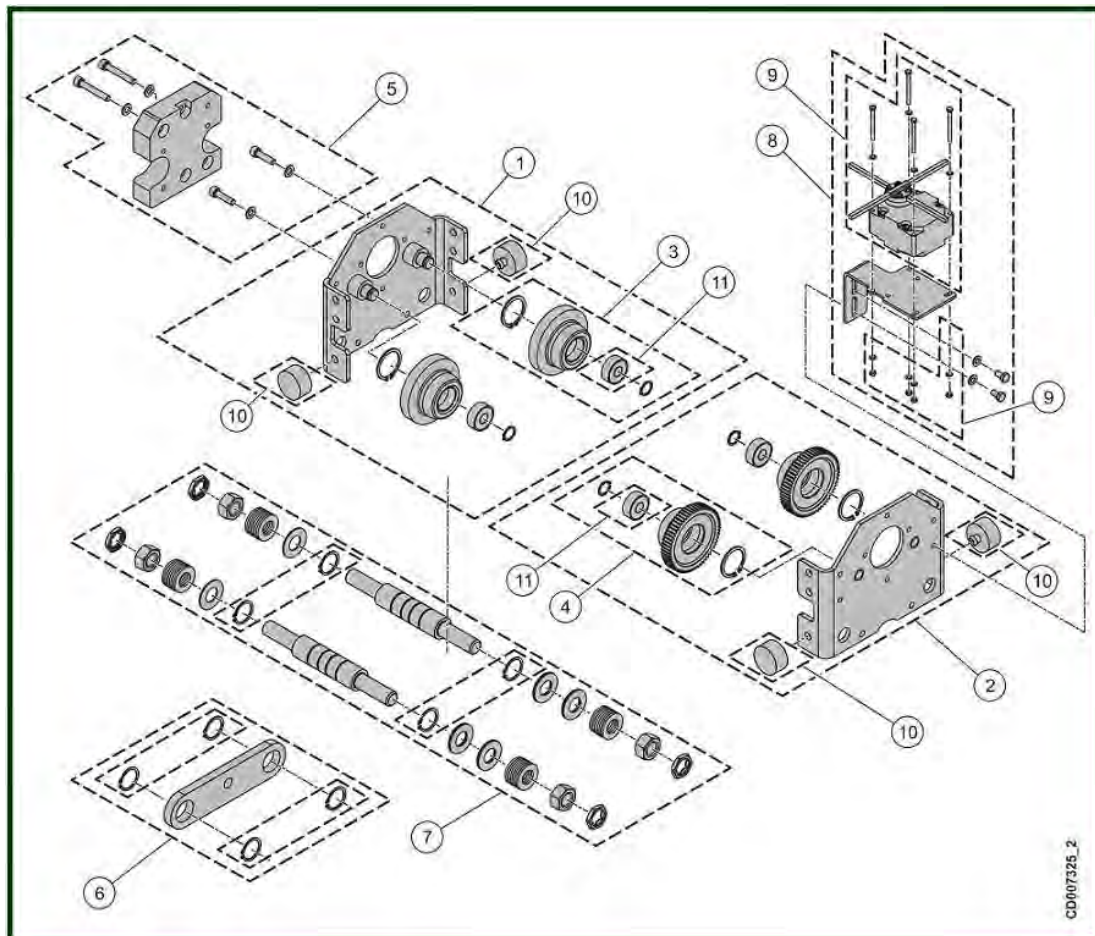
item	reference	description	observation	Quantity
1	VT0007051	Idler side plate assembly		1
2	VT0007066	Drive side plate assembly		1
3	VT0007061	Complete set of travel wheel without shaft		1
4	VT0007063	Set driving wheel without shaft	Ø 62 - 93 mm	1
5	VT0007062	Set of counterweight		1
6	VT0007065	Cross bar	Version accouplée / Coupled version	1
7	VT0007026	Tie rod set beam - 55 to 100 mm	Tirant monobloc depuis 1999 / Monobloc tie road since 1999 Hook and coupling suspension	1
7	VT0007027	Tie rod set beam - 106 to 150 mm	Tirant monobloc depuis 1999 / Monobloc tie road since 1999 Hook and coupling suspension	1
7	VT0007028	Tie rod set beam - 155 to 200 mm	Tirant monobloc depuis 1999 / Monobloc tie road since 1999 Hook and coupling suspension	1
7	VT0007029	Tie rod set beam - 206 to 248 mm	Tirant monobloc depuis 1999 / Monobloc tie road since 1999 Hook and coupling suspension	1
7	VT0007030	Tie rod set beam - 260 to 307 mm	Tirant monobloc depuis 1999 / Monobloc tie road since 1999 Hook and coupling suspension	1
7	VT0007031	Tie rod set beam - 308 to 310 mm	Tirant monobloc depuis 1999 / Monobloc tie road since 1999 Hook and coupling suspension	1
8	VT0007098	Limit switch - 1 step		1
8	VT0008775	Limit switch - 2 steps		1
9	VT0008776	Travelling limit switch assembly - 1 step		1
9	VT0008777	Travelling limit switch assembly - 2 steps		1
10	VT0009357	Buffer	D40x20 - For C1 to C5 trolley	1
11	VT0007091	Ball Bearing		1

7.3) C2 trolley - 1001 to 2000 kg - Hanging version



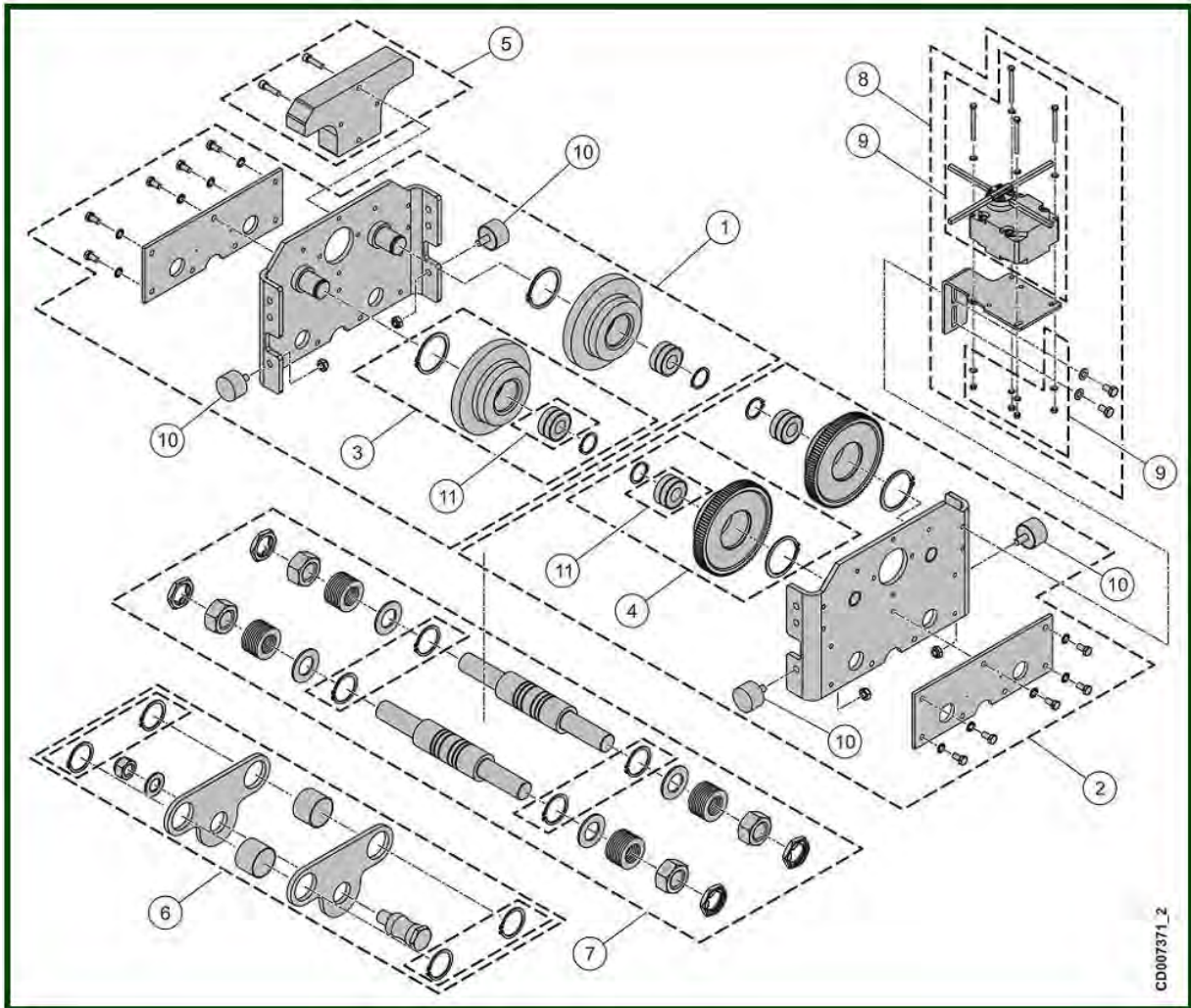
item	reference	description	observation	Quantity
1	VT0007067	Idler side plate assembly	C2	1
2	VT0007068	Drive side plate assembly	C2	1
3	VT0007069	Set of idler wheel without shaft	C2 - Ø 80x120 mm	1
4	VT0008778	Set of driving wheel without shaft	C2 - Ø 80x120 mm	1
5	VT0008780	Set of Sounterweight	C2	1
6	VT0008779	Coupling part	C2 - Version suspendue / Hanging version	1
7	VT0007036	Tie rod set beam - 64 to 126 mm	C2 -Tirant monobloc depuis 1999 Monobloc tie road since 1999 - Hook and Coupling suspension	1
7	VT0007037	Tie rod set beam - 131 to 190 mm	C2 -Tirant monobloc depuis 1999 Monobloc tie road since 1999 - Hook and Coupling suspension	1
7	VT0007038	Tie rod set beam - 198 to 248 mm	C2 -Tirant monobloc depuis 1999 Monobloc tie road since 1999 - Hook and Coupling suspension	1
7	VT0007039	Tie rod set beam - 260 to 310 mm	C2 -Tirant monobloc depuis 1999 Monobloc tie road since 1999 - Hook and Coupling suspension	1
8	VT0007098	Limit switch - 1 step		1
8	VT0008775	Limit switch - 2 steps		1
9	VT0008776	Travelling limit switch assembly - 1 step		1
9	VT0008777	Travelling limit switch assembly - 2 steps		1
10	VT0007088	Buffer	40X20 M10	1
11	VT0008781	Ball Bearing	C2	1

7.4) C2 trolley - 1001 to 2000 kg - Coupled version



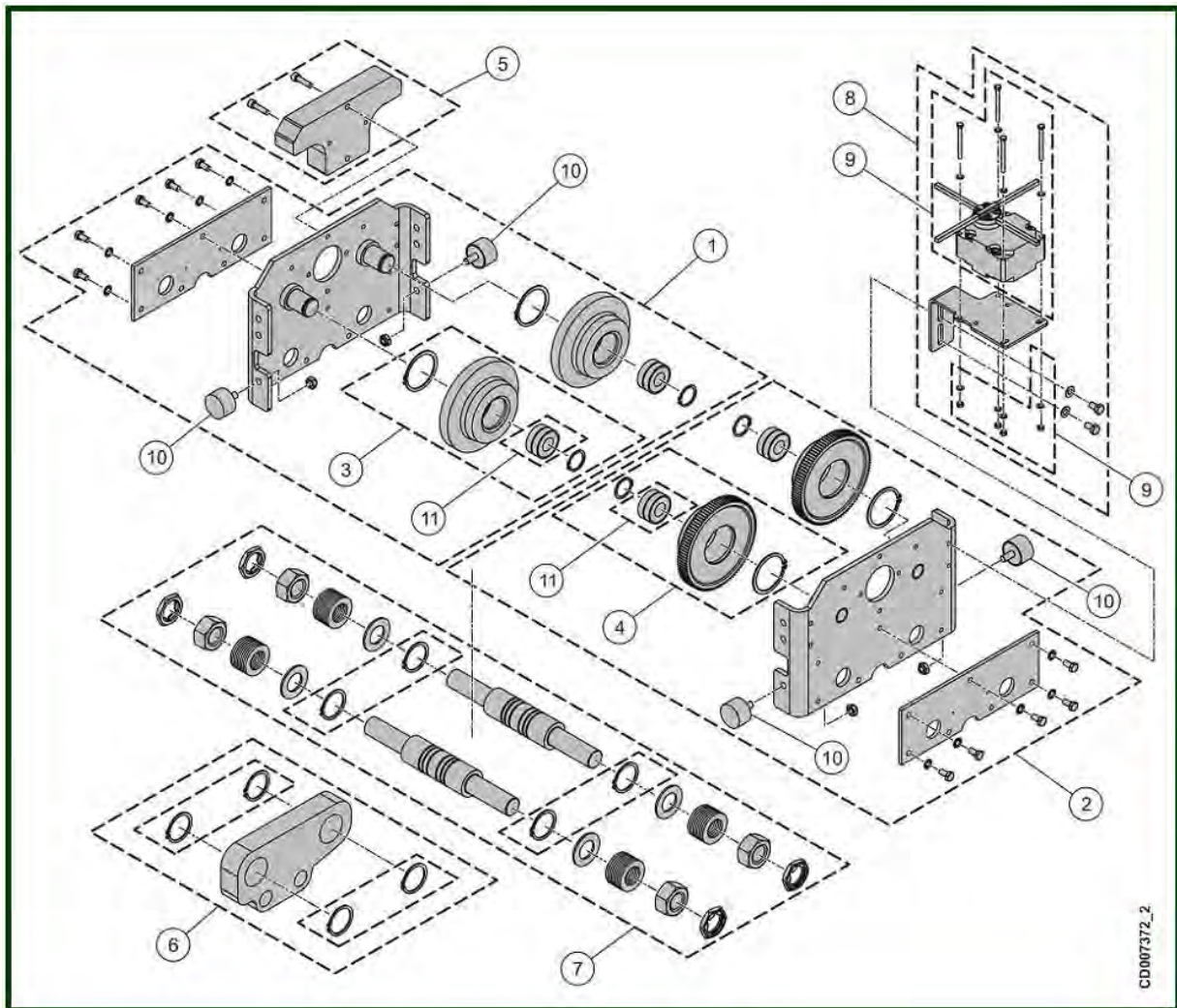
item	reference	description	observation	Quantity
1	VT0007067	Idler side plate assembly	C2	1
2	VT0007068	Drive side plate assembly	C2	1
3	VT0007069	Set of idler wheel without shaft	C2 - Ø 80x120 mm	1
4	VT0008778	Set of driving wheel without shaft	C2 - Ø 80x120 mm	1
5	VT0008780	Set of Sounterweight	C2	1
6	VT0007085	Cross bar	Version accouplée / Coupled version	1
7	VT0007036	Tie rod set beam - 64 to 126 mm	C2 -Tirant monobloc depuis 1999 Monobloc tie road since 1999 - Hook and Coupling suspension	1
7	VT0007037	Tie rod set beam - 131 to 190 mm	C2 -Tirant monobloc depuis 1999 Monobloc tie road since 1999 - Hook and Coupling suspension	1
7	VT0007038	Tie rod set beam - 198 to 248 mm	C2 -Tirant monobloc depuis 1999 Monobloc tie road since 1999 - Hook and Coupling suspension	1
7	VT0007039	Tie rod set beam - 260 to 310 mm	C2 -Tirant monobloc depuis 1999 Monobloc tie road since 1999 - Hook and Coupling suspension	1
8	VT0007098	Limit switch - 1 step		1
8	VT0008775	Limit switch - 2 steps		1
9	VT0008776	Travelling limit switch assembly - 1 step		1
9	VT0008777	Travelling limit switch assembly - 2 steps		1
10	VT0007088	Buffer	40X20 M10	1
11	VT0008781	Ball Bearing	C2	1

7.5) C3 trolley - 2001 to 3200 kg - Hanging version



item	reference	description	observation	Quantity
1	VT0007092	Idler side plate assembly	C3	1
2	VT0007093	Drive side plate assembly	C3	1
3	VT0008782	Travel wheel idler without shaft	C3	1
4	VT0008783	Driving wheel without shaft	C3	1
5	VT0008837	Set of counterweight	C3	1
6	VT0007094	Joint part	Version suspendue/ Hook suspension	1
7	VT0007040	Tie rod set beam - 82 to 137 mm	C3 - Tirant monobloc depuis 1999 / Monobloc tie road since 1999	1
7	VT0007041	Tie rod set beam - 140 to 190 mm	C3 - Tirant monobloc depuis 1999 / Monobloc tie road since 1999	1
7	VT0007042	Tie rod set beam - 198 to 248 mm	C3 - Tirant monobloc depuis 1999 / Monobloc tie road since 1999	1
7	VT0007043	Tie rod set beam - 260 to 310 mm	C3 - Tirant monobloc depuis 1999 / Monobloc tie road since 1999	1
7	VT0008785	Tie rod set beam - 311 to 350 mm	C3 - Tirant monobloc depuis 1999 / Monobloc tie road since 1999	1
8	VT0007098	Limit switch - 1 step		1
8	VT0008775	Limit switch - 2 steps		1
9	VT0008776	Travelling limit switch assembly - 1 step		1
9	VT0008777	Travelling limit switch assembly - 2 steps		1
10	VT0007088	Buffer	40X20 M10	1
11	VT0008786	Ball bearing	C3	1

7.6) C3 trolley - 2001 to 3200 kg - Coupled version



item	reference	description	observation	Quantity
1	VT0007092	Idler side plate assembly	C3	1
2	VT0007093	Drive side plate assembly	C3	1
3	VT0008782	Travel wheel idler without shaft	C3	1
4	VT0008783	Driving wheel without shaft	C3	1
5	VT0008837	Set of counterweight	C3	1
6	VT0007714	Cross bar	C3 Version accouplée / Fork suspension	1
7	VT0007040	Tie rod set beam - 82 to 137 mm	C3 - Tirant monobloc depuis 1999 / Monobloc tie road since 1999	1
7	VT0007041	Tie rod set beam - 140 to 190 mm	C3 - Tirant monobloc depuis 1999 / Monobloc tie road since 1999	1
7	VT0007042	Tie rod set beam - 198 to 248 mm	C3 - Tirant monobloc depuis 1999 / Monobloc tie road since 1999	1
7	VT0007043	Tie rod set beam - 260 to 310 mm	C3 - Tirant monobloc depuis 1999 / Monobloc tie road since 1999	1
7	VT0008785	Tie rod set beam - 311 to 350 mm	C3 - Tirant monobloc depuis 1999 / Monobloc tie road since 1999	1
8	VT0007098	Limit switch - 1 step		1
8	VT0008775	Limit switch - 2 steps		1
9	VT0008776	Travelling limit switch assembly - 1 step		1
9	VT0008777	Travelling limit switch assembly - 2 steps		1
10	VT0007088	Buffer	40X20 M10	1
11	VT0008786	Ball bearing	C3	1