

## SPARE PARTS VR12 - Phase 1

To avoid errors, when ordering please specify:

Complete type of hoist

Date of manufacture and serial number

Spare part code

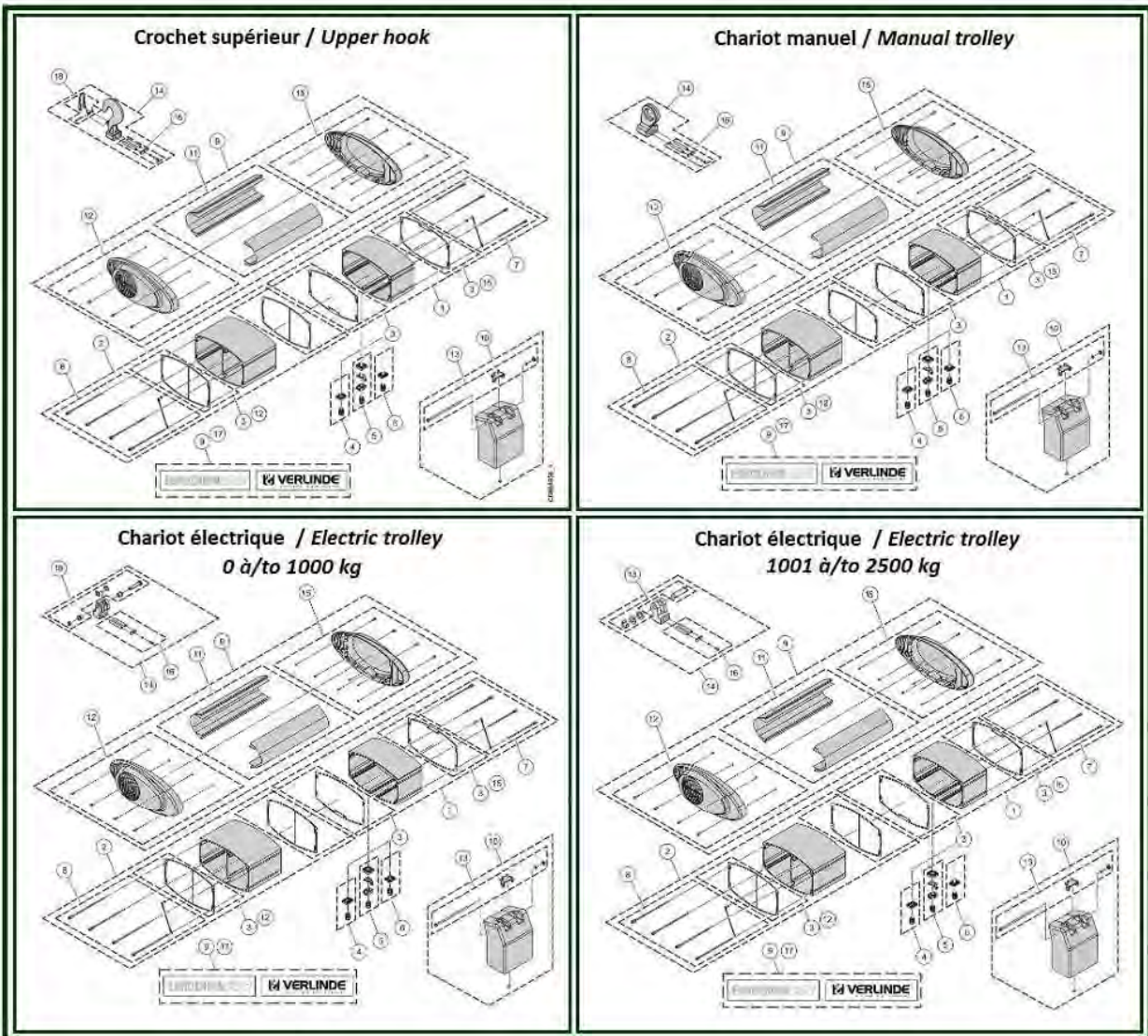
Spare part designation

Additional information

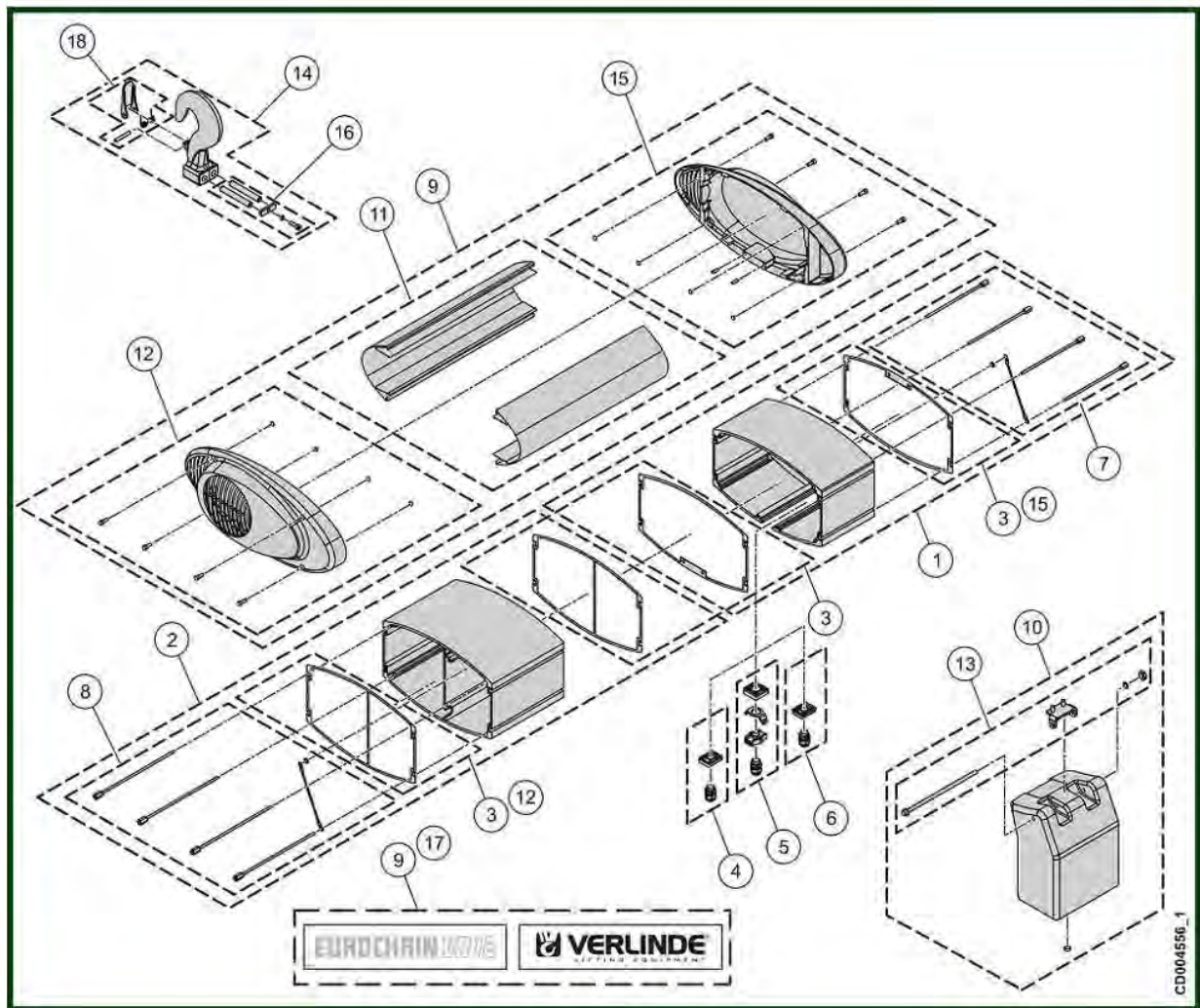


1.	FRAME .....	3
1.1.	Upper hook .....	4
1.2.	Manual trolley.....	6
1.3.	Electric trolley from 0 to 1000 Kg .....	8
1.4.	Electric trolley from 1001 to 2500 Kg .....	10
1.5.	Electric trolley from 1001 to 2500 Kg .....	11
2.	CHAIN GUIDE .....	12
2.1.	Chain 7x20 - 1 fall - Standard .....	13
2.2.	Chain 7x20 - 2 falls - Standard .....	15
2.3.	Chain 7x20 - 1 fall - LHT .....	17
2.4.	Chain 7x20 - 2 falls - LHT .....	19
2.5.	Precut chain .....	20
3.	GEAR.....	21
3.1.	Single brake.....	22
3.2.	Double brakes .....	23
4.	MOTOR.....	24
4.1.	Single brake.....	25
4.2.	Double brakes .....	27
5.	ELECTRICAL PARTS .....	28
5.1.	Solo equipment – Standard .....	29
5.2.	Equipment for Eurosystem - Steel - Alu. & PRV.....	32
5.3.	Equipment for crane hoist - For UT+GTR+GTN.....	35
5.4.	Without electric component.....	37
5.5.	Direct voltage – ACF.....	38
5.6.	Solo hoist - Hard wiring.....	39
6.	PUSH BUTTON CONTROLLER .....	40
6.1.	2 buttons.....	41
6.2.	4 buttons.....	42
6.3.	6 buttons.....	44
6.4.	Push button - From september 2014.....	45
7.	NORMAL HEADROOM TROLLEY .....	47
7.1.	C1 Trolley - 0 TO 1000 kg – Hanging version .....	48
7.2.	C1 trolley - 0 to 1000 kg - Coupled version.....	50
7.3.	C2 trolley - 1001 to 2000 kg - Hanging version.....	52
7.4.	C2 trolley - 1001 à 2000 kg - Coupled version .....	54
7.5.	C3 trolley - 2001 to 3200 kg - Hanging version.....	56
7.6.	C3 trolley - 2001 to 3200 kg - Coupled version.....	58
7.7.	Inverter TMU motor.....	60
7.8.	Two speeds TMU motor .....	62
7.9.	Chain travel.....	64
7.10.	Right motor angle .....	65
8.	LOW HEADROOM TROLLEY .....	66
8.1.	LHT - 1 fall .....	67
8.2.	LHT - 2 falls.....	69

# 1. FRAME



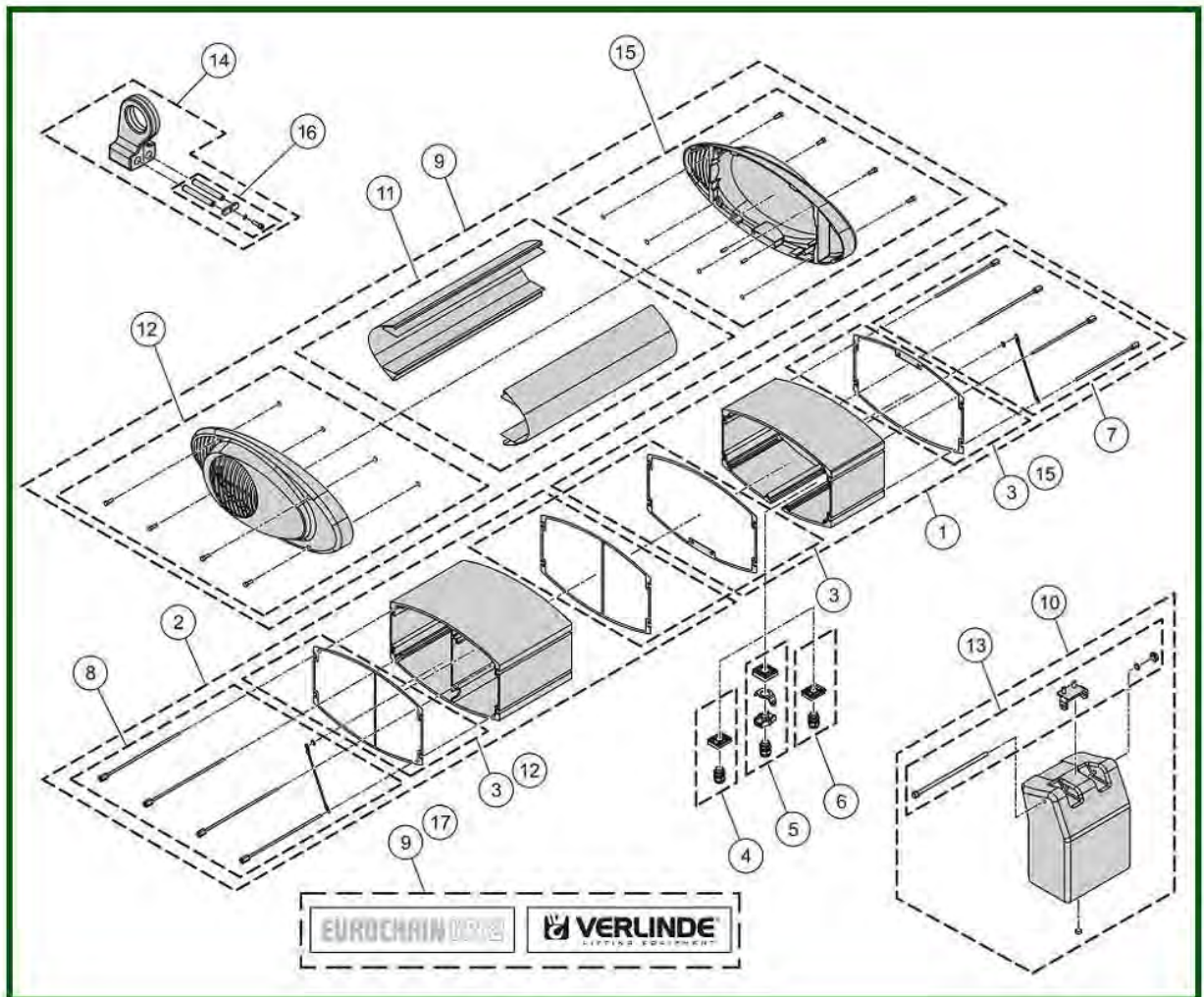
## 1.1. Upper hook



## Upper hook

Item	Reference	Description	Observation	Quantity
1	<a href="#">VT0005547</a>	Frame - Brake side	Single brake	1
2	<a href="#">VT0005546</a>	Frame - Motor side	Single brake	1
3	<a href="#">VT0005548</a>	Sealing set		1
4	<a href="#">VT0006393</a>	Cable gland set Square cable entry	CG M20- ISO 20 Trolley-Power supply	1
4	<a href="#">VT0006508</a>	Cable gland set Rectangular cable entry		1
5	<a href="#">VT0005090</a>	Cable gland set Square cable entry	Push button	1
6	<a href="#">VT0006089</a>	End cap Square cable entry		1
6	<a href="#">VT0005091</a>	End cap Rectangular cable entry	Power supply - Only VR2	1
7	<a href="#">VT0005550</a>	Screws set LG 182 - Brake side	Single brake	1
8	<a href="#">VT0005549</a>	Screws set LG 206 - Motor side	Single brake	1
9	<a href="#">VT0005551</a>	Cover	VERLINDE	1
10	<a href="#">VT0005552</a>	Chain bucket	6 m for 7x20 10 m for 5x14 Except HPR	1
10	<a href="#">VT0006760</a>	Chain bucket	16 m for 7x20 Except HPR	1
10	<a href="#">VT0005622</a>	Chain bucket	30 m for 7x20 Except HPR	1
11	<a href="#">VT0005556</a>	Housing	Single brake	1
12	<a href="#">VT0005977</a>	Cover set - Motor side		1
13	<a href="#">VT0005560</a>	Fixing set of chain bucket		1
14	<a href="#">VT0005561</a>	Upper hook		1
15	<a href="#">VT0005978</a>	Cover set - Brake side		1
16	<a href="#">VT0005562</a>	Shaft set		1
17	<a href="#">VT0005565</a>	Sticker - Brand		1
18	<a href="#">VT0005902</a>	Safety latch		1
	<a href="#">VT0006048</a>	Set of 10 load plates	500 kg	1
	<a href="#">VT0006049</a>	Set of 10 load plates	630 kg	1
	<a href="#">VT0006050</a>	Set of 10 load plates	1000 Kg	1
	<a href="#">VT0006051</a>	Set of 10 load plates	1250 Kg	1
	<a href="#">VT0006052</a>	Set of 10 load plates	1600 Kg	1
	<a href="#">VT0006053</a>	Set of 10 load plates	2000 Kg	1
	<a href="#">VT0006054</a>	Set of 10 load plates	2500 Kg	1
	<a href="#">VT0006026</a>	Identification plate	Serial number request	1

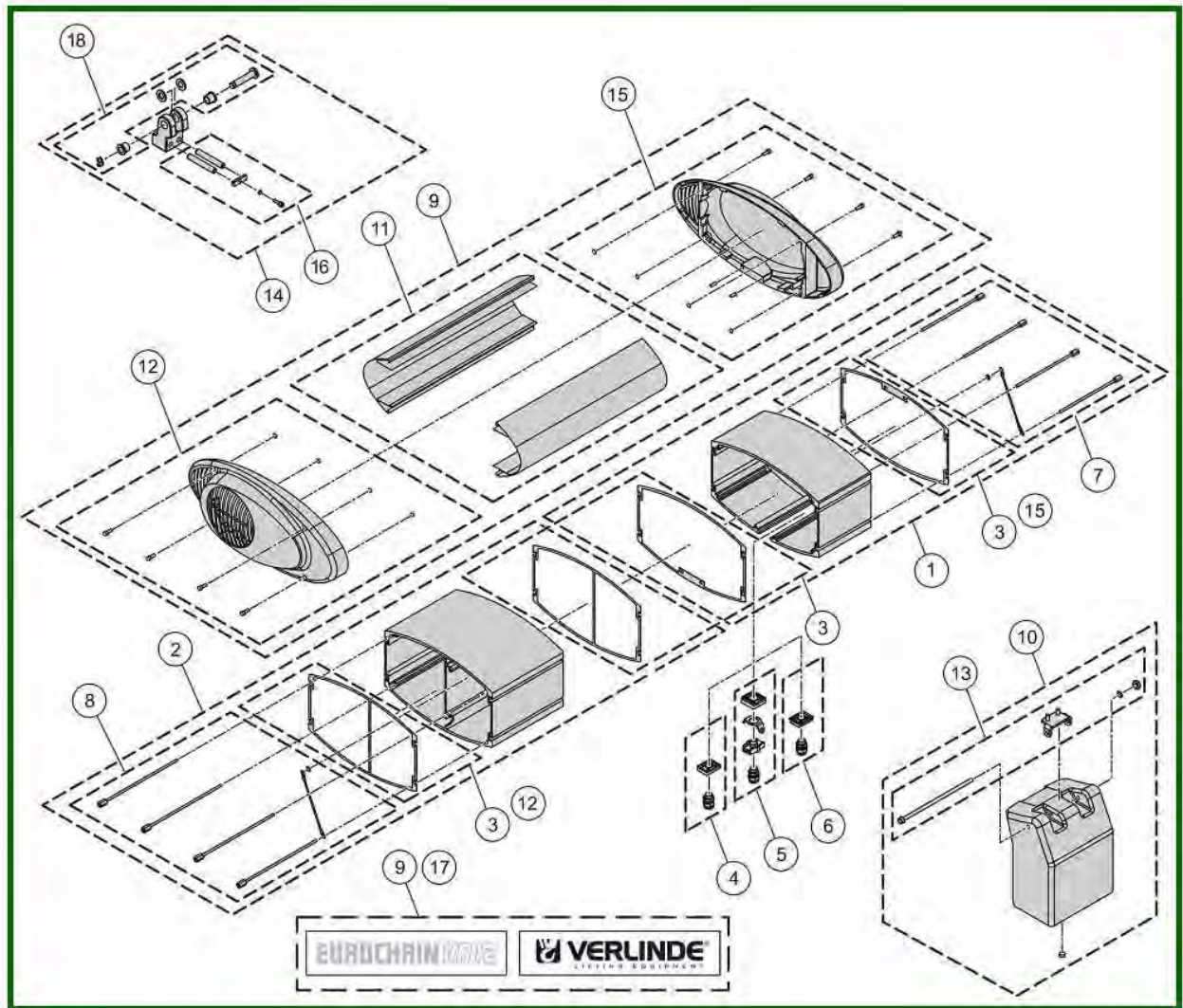
## 1.2. Manual trolley



## Manual trolley

Item	Reference	Description	Observation	Quantity
1	<a href="#">VT0005547</a>	Frame - Brake side	Single brake	1
2	<a href="#">VT0005546</a>	Frame - Motor side	Single brake	1
3	<a href="#">VT0005548</a>	Sealing set		1
4	<a href="#">VT0006393</a>	Cable gland set Square cable entry	CG M20- ISO 20 Trolley-Power supply	1
4	<a href="#">VT0006508</a>	Cable gland set Rectangular cable entry		1
5	<a href="#">VT0005090</a>	Cable gland set Square cable entry	Push button	1
6	<a href="#">VT0006089</a>	Bouchon Square cable entry		1
6	<a href="#">VT0005091</a>	Bouchon Rectangular cable entry	Power supply - Only VR2	1
7	<a href="#">VT0005550</a>	Screws set LG 182 - Brake side	Single brake	1
8	<a href="#">VT0005549</a>	Screws set LG 206 - Motor side	Single brake	1
9	<a href="#">VT0005551</a>	Cover		1
10	<a href="#">VT0005552</a>	Chain bucket	6 m for 7x20 10 m for 5x14 Except HPR	1
10	<a href="#">VT0006760</a>	Chain bucket	16 m for 7x20 Except HPR	1
10	<a href="#">VT0005622</a>	Chain bucket	30 m for 7x20 Except HPR	1
11	<a href="#">VT0005556</a>	Housing	Single brake	1
12	<a href="#">VT0005977</a>	Cover set - Motor side		1
13	<a href="#">VT0005560</a>	Fixing set of chain bucket		1
14	<a href="#">VT0005848</a>	Coupling part	Manual trolley	1
15	<a href="#">VT0005978</a>	Cover set - Brake side		1
16	<a href="#">VT0005562</a>	Shaft set		1
17	<a href="#">VT0005565</a>	Sticker - Brand		1
	<a href="#">VT0006026</a>	Identification plate	Serial number request	1
-	<a href="#">VT0006048</a>	Set of 10 load plates	500 kg	1
-	<a href="#">VT0006049</a>	Set of 10 load plates	630 kg	1
-	<a href="#">VT0006050</a>	Set of 10 load plates	1000 Kg	1
-	<a href="#">VT0006051</a>	Set of 10 load plates	1250 Kg	1
-	<a href="#">VT0006052</a>	Set of 10 load plates	1600 Kg	1
-	<a href="#">VT0006053</a>	Set of 10 load plates	2000 Kg	1
-	<a href="#">VT0006054</a>	Set of 10 load plates	2500 Kg	1

### 1.3. Electric trolley from 0 to 1000 Kg

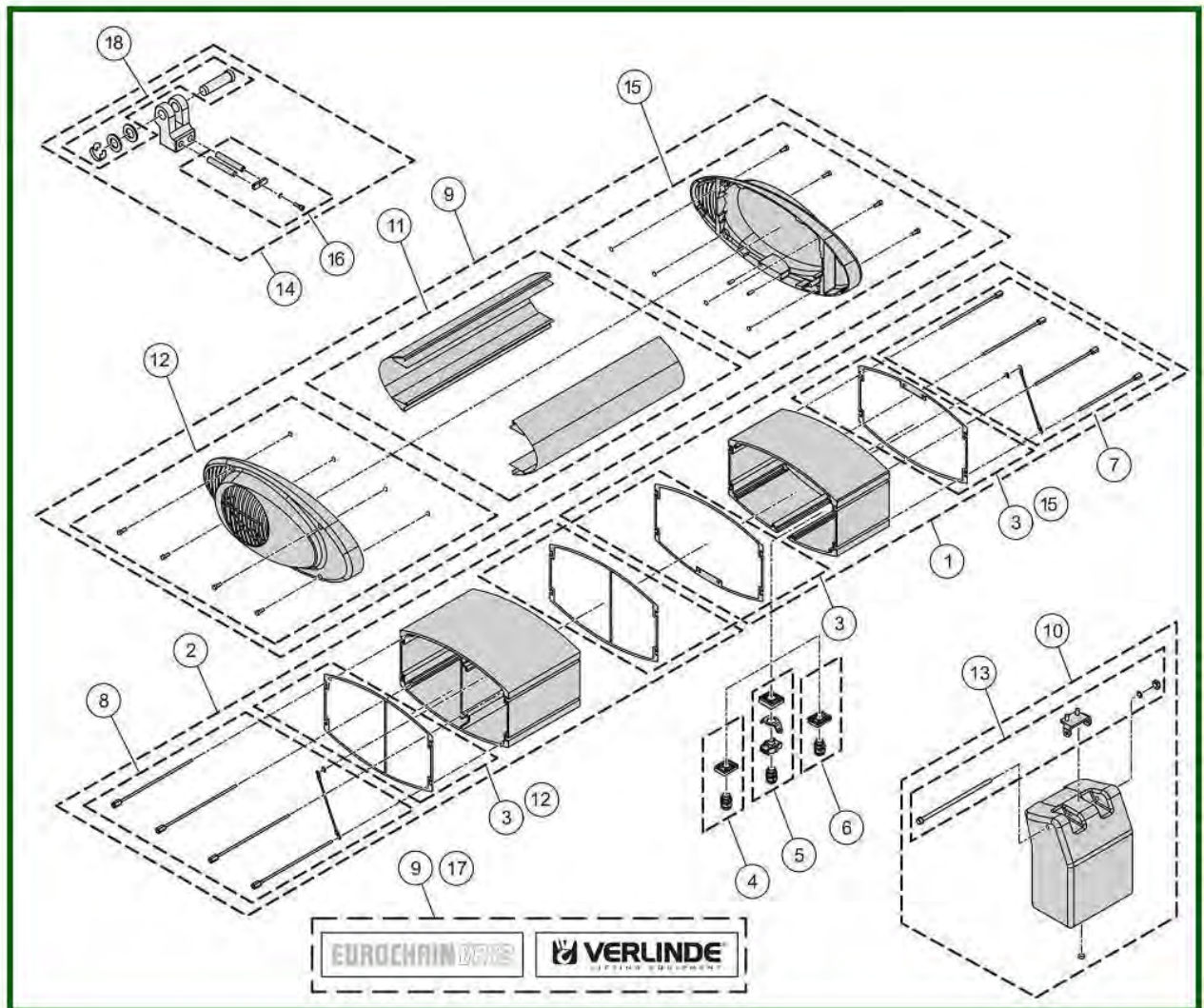




### Electric trolley from 0 to 1000 Kg

Item	Reference	Description	Observation	Quantity
1	<a href="#">VT0005547</a>	Frame - Brake side	Single brake	1
2	<a href="#">VT0005546</a>	Frame - Motor side	Single brake	1
3	<a href="#">VT0005548</a>	Sealing set		1
4	<a href="#">VT0006393</a>	Cable gland set Square cable entry	CG M20- ISO 20 Trolley-Power supply	1
4	<a href="#">VT0006508</a>	Cable gland set Rectangular cable entry		1
5	<a href="#">VT0005090</a>	Cable gland set Square cable entry	Push button	1
6	<a href="#">VT0006089</a>	Bouchon Square cable entry		1
6	<a href="#">VT0005091</a>	Bouchon Rectangular cable entry	Power supply - Only VR2	1
7	<a href="#">VT0005550</a>	Screws set LG 182 - Brake side	Single brake	1
8	<a href="#">VT0005549</a>	Screws set LG 206 - Motor side	Single brake	1
9	<a href="#">VT0005551</a>	Cover	VERLINDE	1
10	<a href="#">VT0005552</a>	Chain bucket	6 m for 7x20 10 m for 5x14 Except HPR	1
10	<a href="#">VT0006760</a>	Chain bucket	16 m for 7x20 Except HPR	1
10	<a href="#">VT0005622</a>	Chain bucket	30 m for 7x20 Except HPR	1
11	<a href="#">VT0005556</a>	Housing	VERLINDE - Single brake	1
12	<a href="#">VT0005977</a>	Cover set - Motor side	VERLINDE	1
13	<a href="#">VT0005560</a>	Fixing set of chain bucket		1
14	<a href="#">VT0005862</a>	Coupling part Electric trolley	0 to 1000 kg	1
15	<a href="#">VT0005978</a>	Cover set - Brake side		1
16	<a href="#">VT0005562</a>	Shaft set		1
17	<a href="#">VT0005565</a>	Sticker - Brand		1
18	<a href="#">VT0005976</a>	Shaft set - Electric trolley	0 to 1000 kg	1
	<a href="#">VT0006048</a>	Set of 10 load plates	500 kg	1
	<a href="#">VT0006049</a>	Set of 10 load plates	630 kg	1
	<a href="#">VT0006050</a>	Set of 10 load plates	1000 Kg	1
	<a href="#">VT0006051</a>	Set of 10 load plates	1250 Kg	1
	<a href="#">VT0006052</a>	Set of 10 load plates	1600 Kg	1
	<a href="#">VT0006053</a>	Set of 10 load plates	2000 Kg	1
	<a href="#">VT0006054</a>	Set of 10 load plates	2500 Kg	1
	<a href="#">VT0006026</a>	Identification plate	Serial number request	1

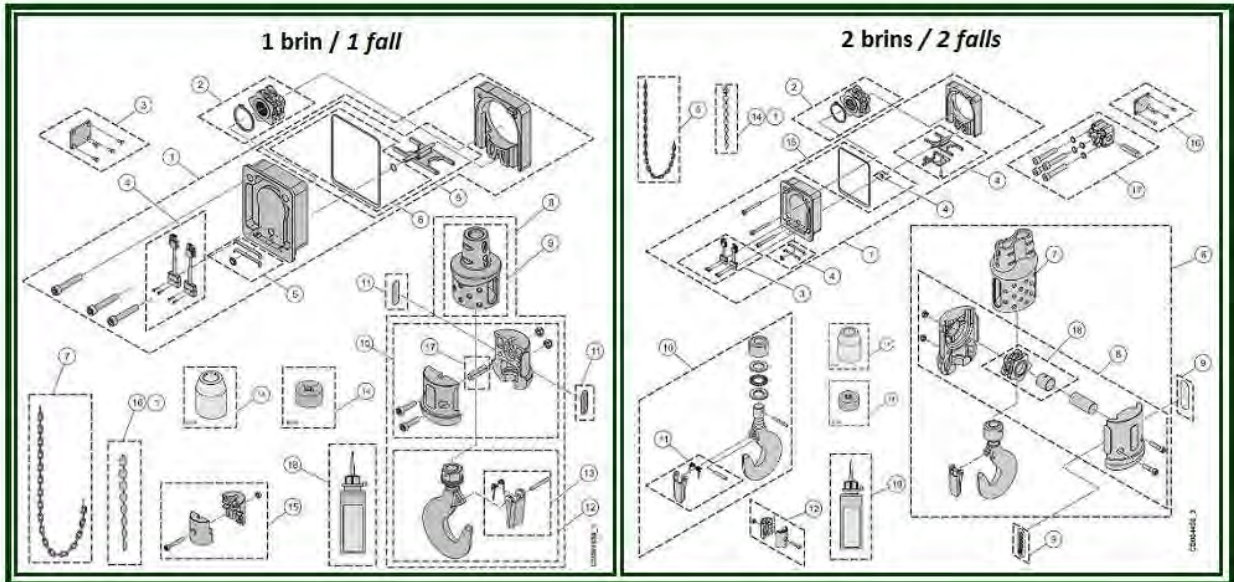
#### 1.4. Electric trolley from 1001 to 2500 Kg



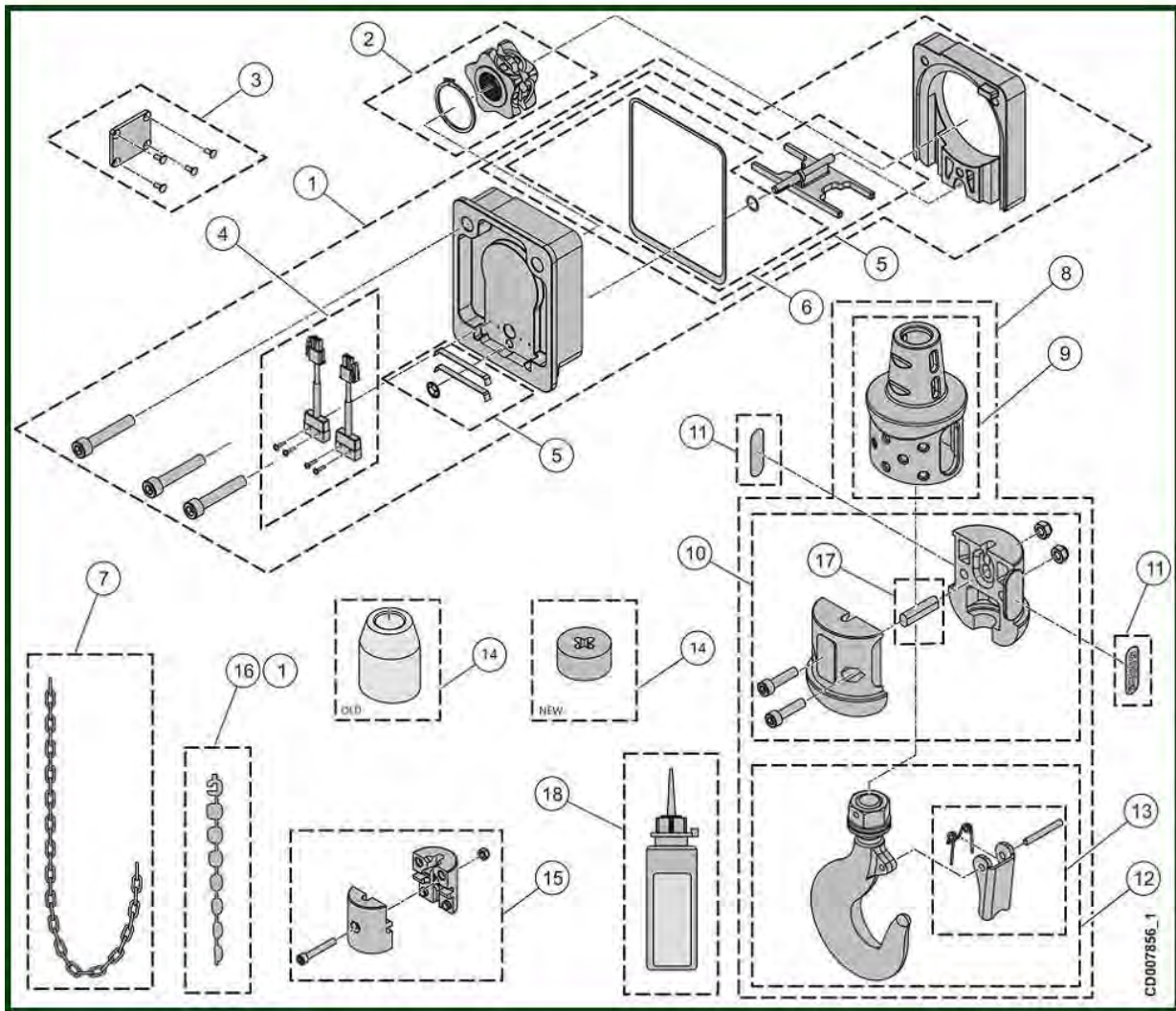
## 1.5. Electric trolley from 1001 to 2500 Kg

Item	Reference	Description	Observation	Quantity
1	<a href="#">VT0005547</a>	Frame - Brake side	Single brake	1
2	<a href="#">VT0005546</a>	Frame - Motor side	Single brake	1
3	<a href="#">VT0005548</a>	Sealing set		1
4	<a href="#">VT0006393</a>	Cable gland set Square cable entry	CG M20- ISO 20 Trolley-Power supply	1
4	<a href="#">VT0006508</a>	Cable gland set Rectangular cable entry		1
5	<a href="#">VT0005090</a>	Cable gland set Square cable entry	Push button	1
6	<a href="#">VT0006089</a>	Bouchon Square cable entry		1
6	<a href="#">VT0005091</a>	Bouchon Rectangular cable entry	Power supply - Only VR2	1
7	<a href="#">VT0005550</a>	Screws set LG 182 - Brake side	Single brake	1
8	<a href="#">VT0005549</a>	Screws set LG 206 - Motor side	Single brake	1
9	<a href="#">VT0005551</a>	Cover	VERLINDE	1
10	<a href="#">VT0005552</a>	Chain bucket Except HPR	6 m for 7x20 10 m for 5x14	1
10	<a href="#">VT0006760</a>	Chain bucket Except HPR	16 m for 7x20	1
10	<a href="#">VT0005622</a>	Chain bucket Except HPR	30 m for 7x20	1
11	<a href="#">VT0005556</a>	Housing	VERLINDE - Single brake	1
12	<a href="#">VT0005977</a>	Cover set - Motor side	VERLINDE	1
13	<a href="#">VT0005560</a>	Fixing set of chain bucket		1
14	<a href="#">VT0005849</a>	Coupling part Electric trolley	1001 to 2500 kg	1
15	<a href="#">VT0005978</a>	Cover set - Brake side	VERLINDE	1
16	<a href="#">VT0005562</a>	Shaft set		1
17	<a href="#">VT0005565</a>	Sticker - Brand	VERLINDE	1
18	<a href="#">VT0005975</a>	Shaft set - Electric trolley	1001 to 2500 kg	1
	<a href="#">VT0006048</a>	Set of 10 load plates	500 kg	1
	<a href="#">VT0006049</a>	Set of 10 load plates	630 kg	1
	<a href="#">VT0006050</a>	Set of 10 load plates	1000 Kg	1
	<a href="#">VT0006051</a>	Set of 10 load plates	1250 Kg	1
	<a href="#">VT0006052</a>	Set of 10 load plates	1600 Kg	1
	<a href="#">VT0006053</a>	Set of 10 load plates	2000 Kg	1
	<a href="#">VT0006054</a>	Set of 10 load plates	2500 Kg	1
	<a href="#">VT0006026</a>	Identification plate	Serial number request	1

## 2. CHAIN GUIDE



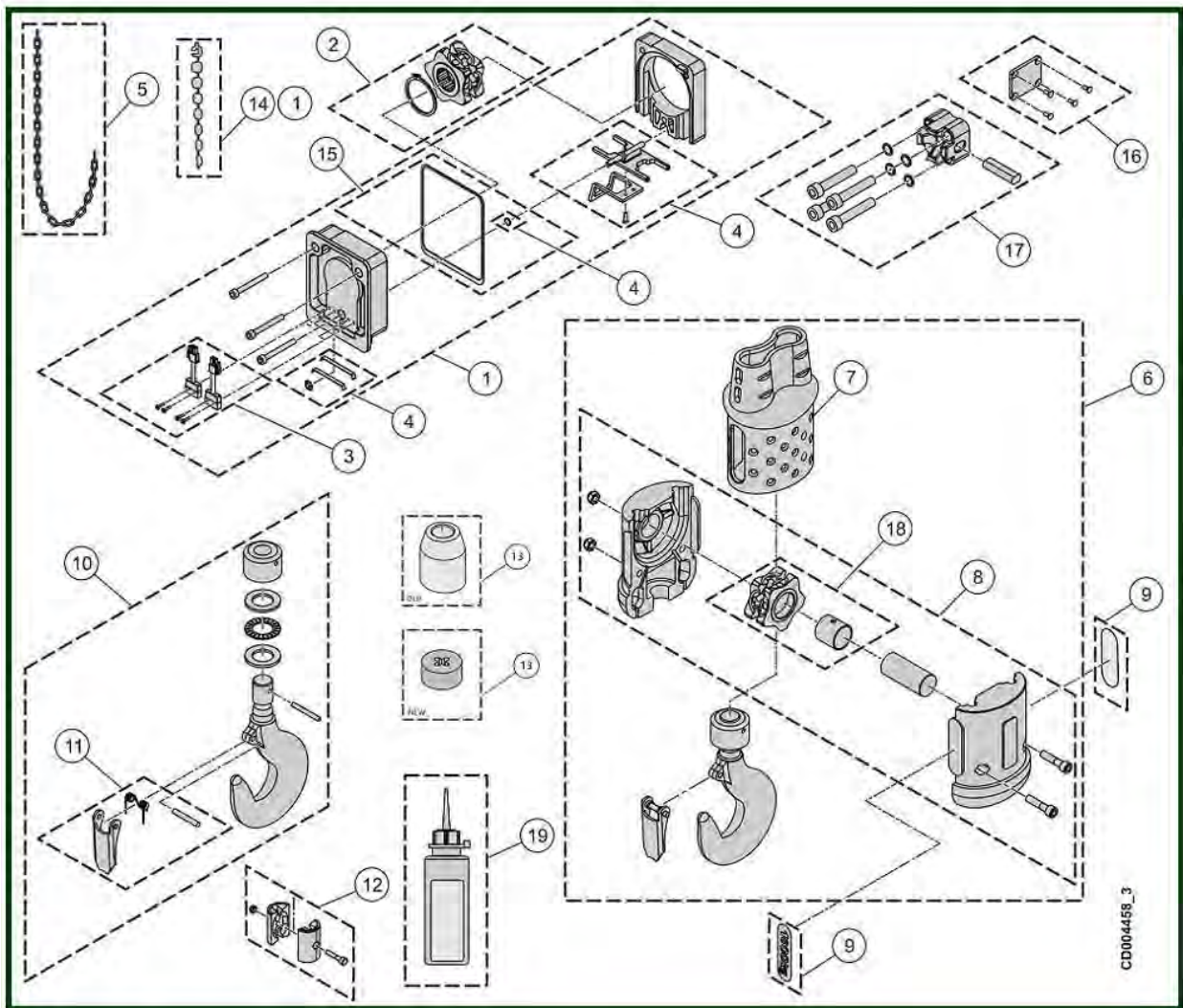
## 2.1. Chain 7x20 - 1 fall - Standard



**Chain 7x20 - 1 fall – Standard**

Item	Reference	Description	Observation	Quantity
1	<u>VT0005850</u>	Chain guide - Chain 7x20	1 fall	1
2	<u>VT0005851</u>	Chain sprocket	1 fall	1
3	<u>VT0005852</u>	Cap		1
4	<u>VT0004876</u>	Switch set		1
5	<u>VT0005853</u>	Limit switch activator		1
6	<u>VT0005854</u>	Sealing set		1
7	<u>VT0005544</u>	Galvanized chain - Chain 7x20	Standard	1
7	<u>VT0006352</u>	Stainless steel chain - 7x20	Be careful: hoist downgraded	1
8	<u>VT0006505</u>	Complete hook block - 1 fall	Automatic hook	1
8	<u>VT0006506</u>	Complete hook block - 1 fall	Stainless steel hook	1
8	<u>VT0005847</u>	Complete hook block - 1 fall	Standard hook	1
9	<u>VT0005855</u>	Rubber chain stop		1
10	<u>VT0005856</u>	Hook component	Standard hook -1 fall	1
11	<u>VT0005857</u>	Set of 10 load plates	500 Kg	1
11	<u>VT0005858</u>	Set of 10 load plates	630 Kg	1
11	<u>VT0005859</u>	Set of 10 load plates	1000 Kg	1
11	<u>VT0005860</u>	Set of 10 load plates	1250 Kg	1
12	<u>VT0006486</u>	Automatic hook		1
12	<u>VT0006507</u>	Stainless steel hook	Be careful: hoist downgraded	1
12	<u>VT0005861</u>	Standard hook		1
13	<u>VT0005903</u>	Safety latch	Rotary hook- 1 fall	1
14	<u>VT0005863</u>	Rubber chain stop Old model	2 falls: Never use as chain stop side hook	1
14	<u>VT0007572</u>	Rubber slack fall stop Since november 2015		1
15	<u>VT0005864</u>	Chain stop	2 falls: Never use as chain stop side hook	1
16	<u>VT0005575</u>	Chain fitting tool		1
17	<u>VT0006371</u>	Pin	1 fall	1
18	<u>VT0006025</u>	Oil can		1

## 2.2. Chain 7x20 - 2 falls - Standard



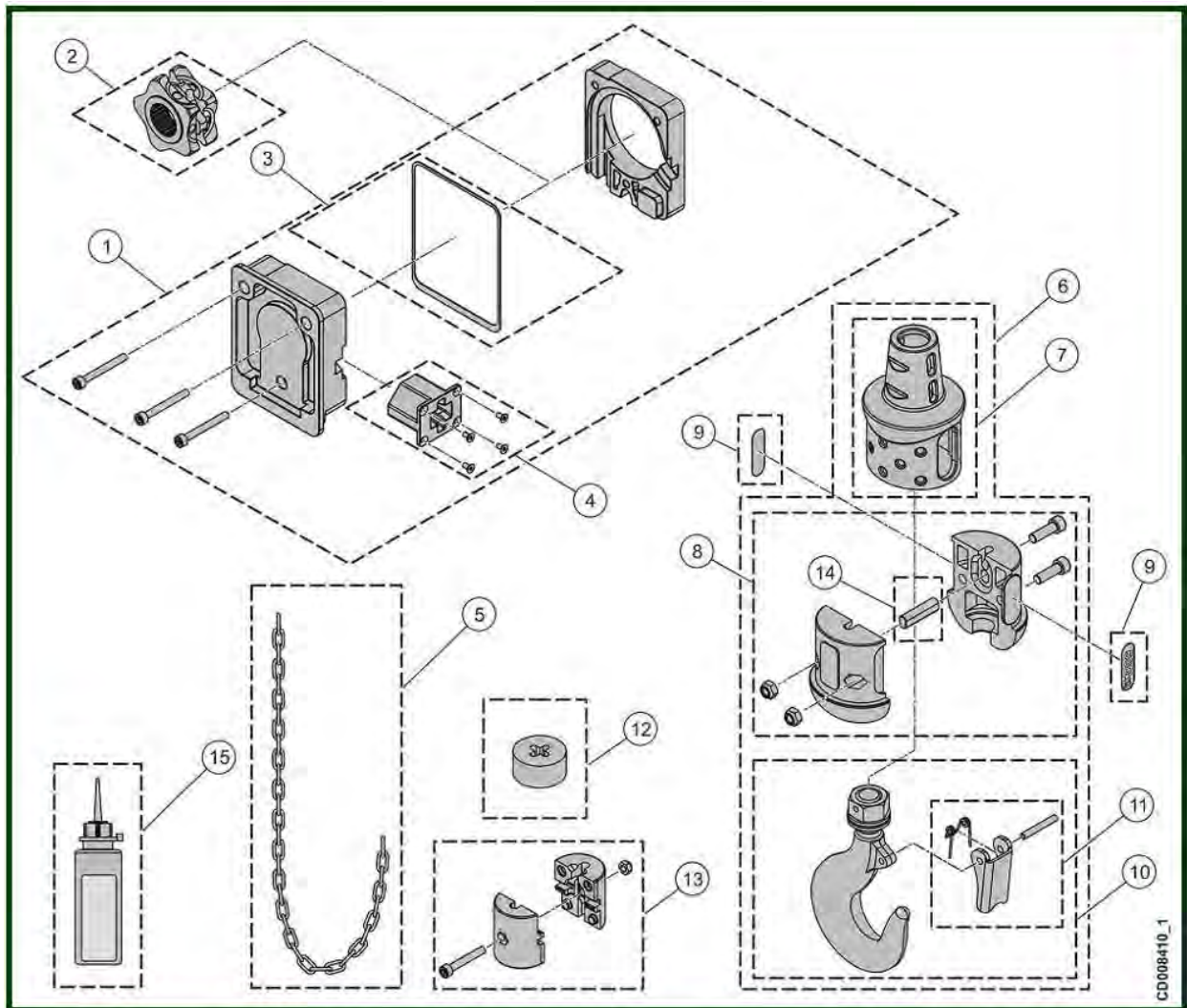
Chain 7x20 - 2 falls - Standard

Item	Reference	Description	Observation	Quantity
1	<u>VT0005865</u>	Chain guide	2 falls	1
2	<u>VT0005851</u>	Chain sprocket	1 fall	1
3	<u>VT0004876</u>	Switch set		1
4	<u>VT0005872</u>	Limit switch activator		1
5	<u>VT0005544</u>	Galvanized chain	Standard	1
5	<u>VT0006352</u>	Stainless steel chain	Be careful: hoist downgraded	1
6	<u>VT0007737</u>	Hook block- 2 falls	Automatic hook	1
6	<u>VT0007090</u>	Hook block- 2 falls	Stainless steel hook Maxi. 1250 kg	1
6	<u>VT0005867</u>	Hook block- 2 falls	Standard hook	1
7	<u>VT0005868</u>	Rubber chain stop	2 falls	1
8	<u>VT0005883</u>	Hook component	Standard hook	1
9	<u>VT0005873</u>	Set of 10 load plates	1600 Kg	1
9	<u>VT0005874</u>	Set of 10 load plates	2000 Kg	1
9	<u>VT0005875</u>	Set of 10 load plates	2500 Kg	1
10	<u>VT0006519</u>	Automatic hook	BKT-10-10	1
10	<u>VT0005884</u>	Standard hook		1
11	<u>VT0005902</u>	Safety latch		1
12	<u>VT0005864</u>	Chain stop	2 falls: Never use as chain stop side hook	1
13	<u>VT0005863</u>	Rubber chain stop Old model	2 falls: Never use as chain stop side hook	1
13	<u>VT0007572</u>	Rubber slack fall stop Since november 2015		1
14	<u>VT0005575</u>	Chain fitting tool		1
15	<u>VT0005854</u>	Sealing set		1
16	<u>VT0005852</u>	Cap		1
17	<u>VT0005885</u>	Fixing set	2 falls	1
18	<u>VT0005882</u>	Return sprocket	2 falls	1
19	<u>VT0006025</u>	Oil can		1



### 2.3. Chain 7x20 - 1 fall - LHT

## Low Headroom Trolley

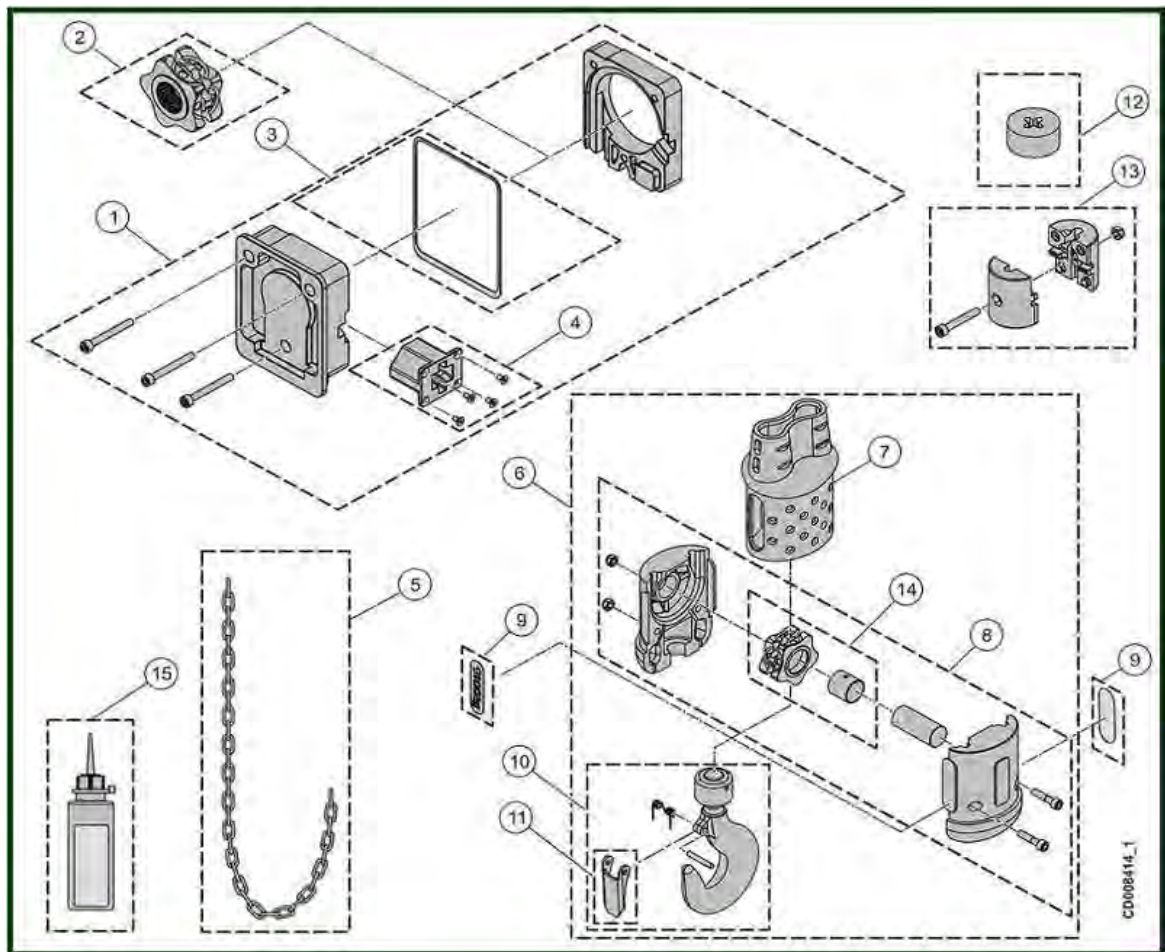


## Low Headroom Trolley

Item	Reference	Description	Observation	Quantity
1	<a href="#">VT0008844</a>	Chain guide set	LHT	1
2	<a href="#">VT0005851</a>	Chain sprocket	1 fall	1
5	<a href="#">VT0005544</a>	Galvanized chain	Standard	1
6	<a href="#">VT0006505</a>	Complete hook block - 1 fall	Automatic hook	1
6	<a href="#">VT0006506</a>	Complete hook block - 1 fall	Stainless steel hook	1
6	<a href="#">VT0005847</a>	Complete hook block - 1 fall	Standard hook	1
8	<a href="#">VT0005856</a>	Hook component	Standard hook	1
9	<a href="#">VT0005857</a>	Set of 10 load plates	500 Kg	1
9	<a href="#">VT0005858</a>	Set of 10 load plates	630 Kg	1
9	<a href="#">VT0005859</a>	Set of 10 load plates	1000 Kg	1
9	<a href="#">VT0005860</a>	Set of 10 load plates	1250 Kg	1
10	<a href="#">VT0006486</a>	Automatic hook		1
10	<a href="#">VT0006507</a>	Stainless steel hook	Be careful: hoist downgraded	1
10	<a href="#">VT0005861</a>	Standard hook		1
11	<a href="#">VT0005903</a>	Safety latch	Rotary hook- 1 fall	1
12	<a href="#">VT0005863</a>	Rubber chain stop Old model	2 falls Never use as chain stop side hook	1
12	<a href="#">VT0007572</a>	Rubber slack fall stop Since November 2015		1
13	<a href="#">VT0005864</a>	Chain stop	2 falls Never use as chain stop side hook	1
14	<a href="#">VT0006371</a>	Pin	1 fall	1
15	<a href="#">VT0006025</a>	Oil can		1

## 2.4. Chain 7x20 - 2 falls - LHT

### Low Headroom Trolley



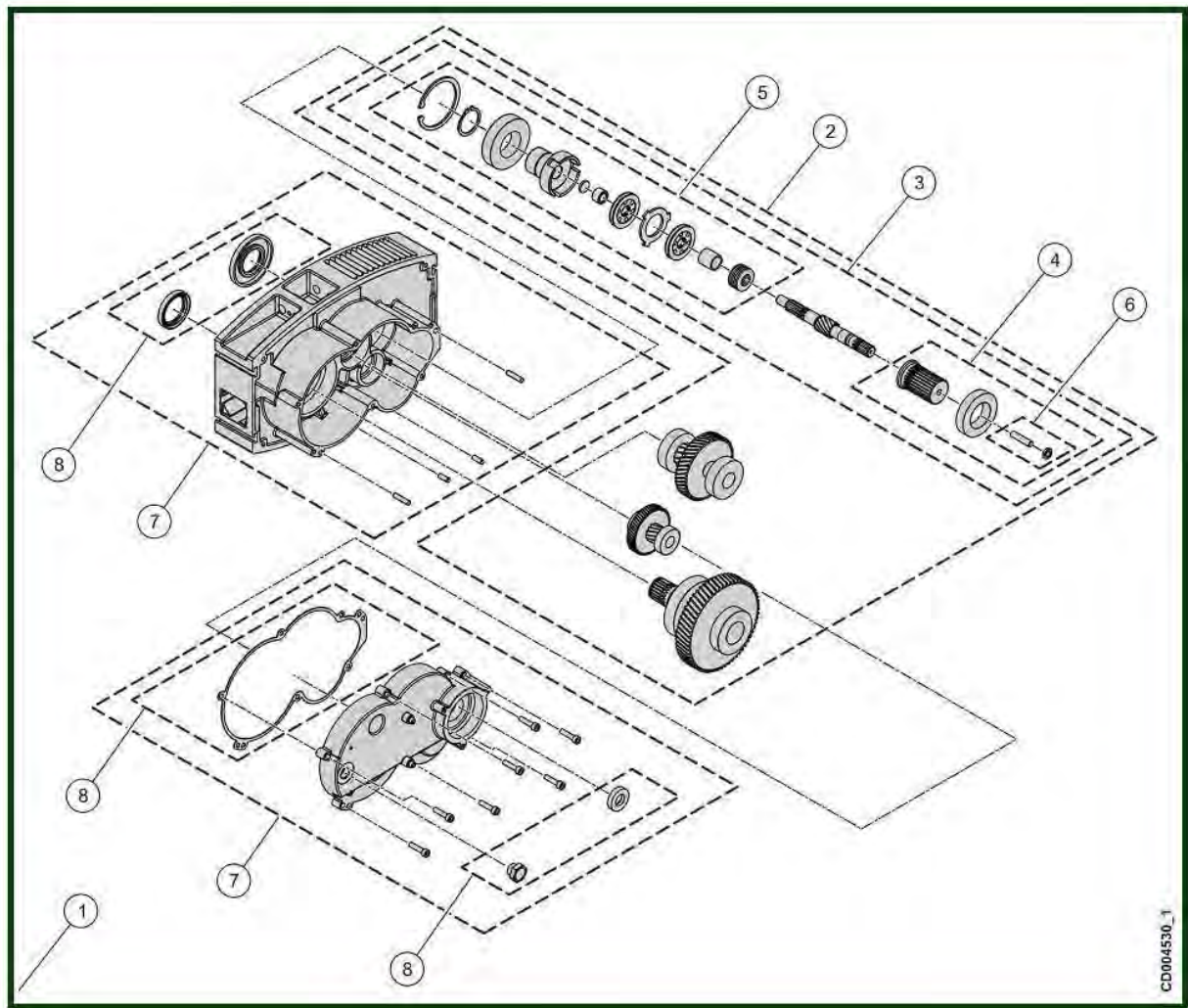
Chain 7x20 - 2 falls – LHT  
Low Headroom Trolley

Item	Reference	Description	Observation	Quantity
1	<a href="#">VT0008844</a>	Chain guide		1
2	<a href="#">VT0005851</a>	Chain sprocket	1 fall	1
5	<a href="#">VT0005544</a>	Galvanized chain	Standard	1
5	<a href="#">VT0006352</a>	Stainless steel chain	Be careful: hoist downgraded	1
6	<a href="#">VT0007737</a>	Hook block- 2 falls	Automatic hook	1
6	<a href="#">VT0007090</a>	Hook block- 2 falls	Stainless steel hook Maxi. 1250 kg	1
6	<a href="#">VT0005867</a>	Hook block- 2 falls	Standard hook	1
7	<a href="#">VT0005868</a>	Rubber chain stop	2 falls	1
8	<a href="#">VT0005883</a>	Hook component	Standard hook	1
9	<a href="#">VT0005873</a>	Set of 10 load plates	1600 Kg	1
9	<a href="#">VT0005874</a>	Set of 10 load plates	2000 Kg	1
9	<a href="#">VT0005875</a>	Set of 10 load plates	2500 Kg	1
10	<a href="#">VT0006519</a>	Automatic hook	BKT-10-10	1
10	<a href="#">VT0008133</a>	Stainless steel hook		1
11	<a href="#">VT0005902</a>	Safety latch		1
12	<a href="#">VT0005863</a>	Rubber chain stop Old model	Never use as chain stop side hook	1
12	<a href="#">VT0007572</a>	Rubber slack fall stop Since November 2015		1
13	<a href="#">VT0005864</a>	Chain stop	Never use as chain stop side hook	1
14	<a href="#">VT0005882</a>	Return sprocket	2 falls	1
15	<a href="#">VT0006025</a>	Oil can		1

### 2.5. Precut chain

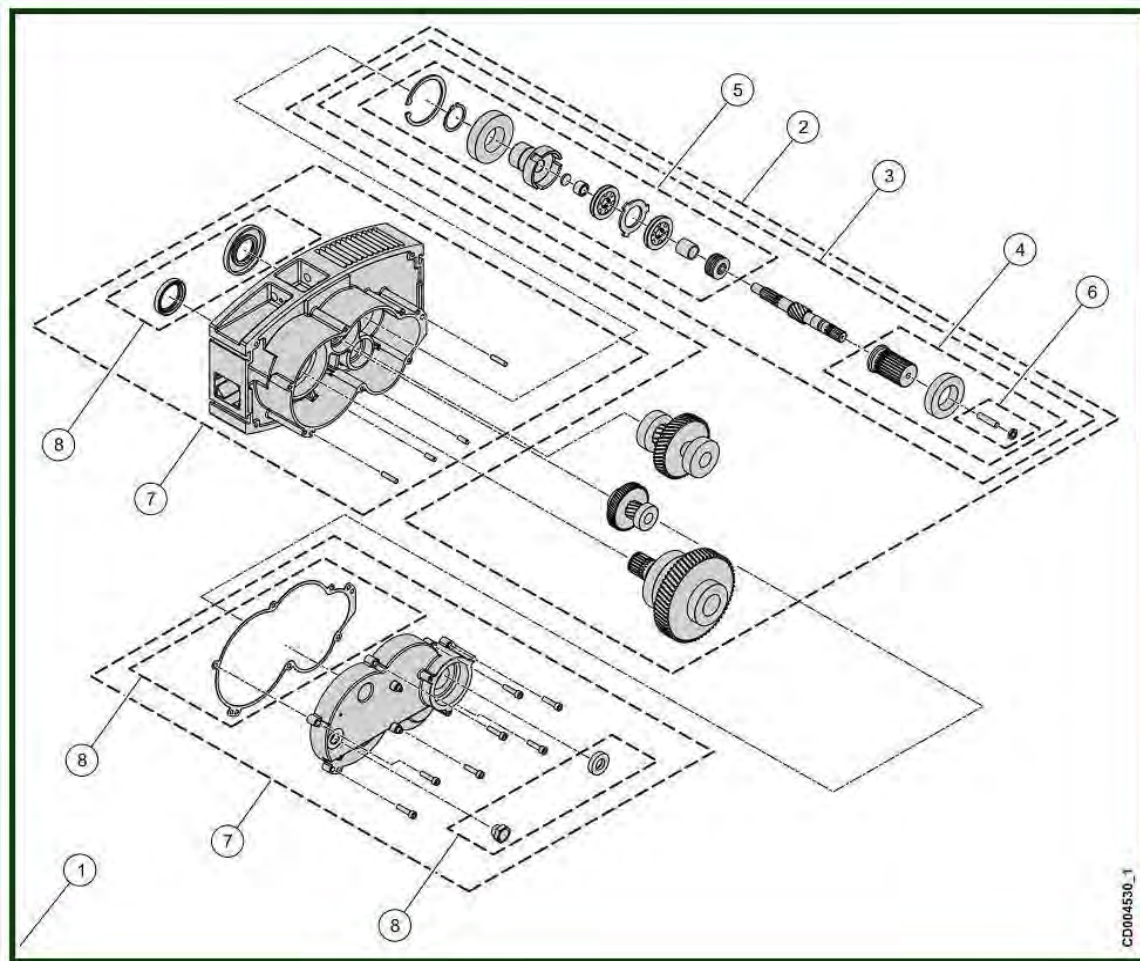
Item	Reference	Description	Observation	Quantity
	<a href="#">53021120</a>	Galvanized load chain - 7x20	5 meters	1
	<a href="#">53021122</a>	Galvanized load chain - 7x20	6 meters	1
	<a href="#">53021782</a>	Galvanized load chain - 7x20	8 meters	1
	<a href="#">53022502</a>	Galvanized load chain - 7x20	10 meters	1
	<a href="#">53022511</a>	Galvanized load chain - 7x20	11 meters	1
	<a href="#">53022512</a>	Galvanized load chain - 7x20	13 meters	1
	<a href="#">53022523</a>	Galvanized load chain - 7x20	18 meters	1
	<a href="#">53022525</a>	Galvanized load chain - 7x20	100 meters	1

### 3. GEAR



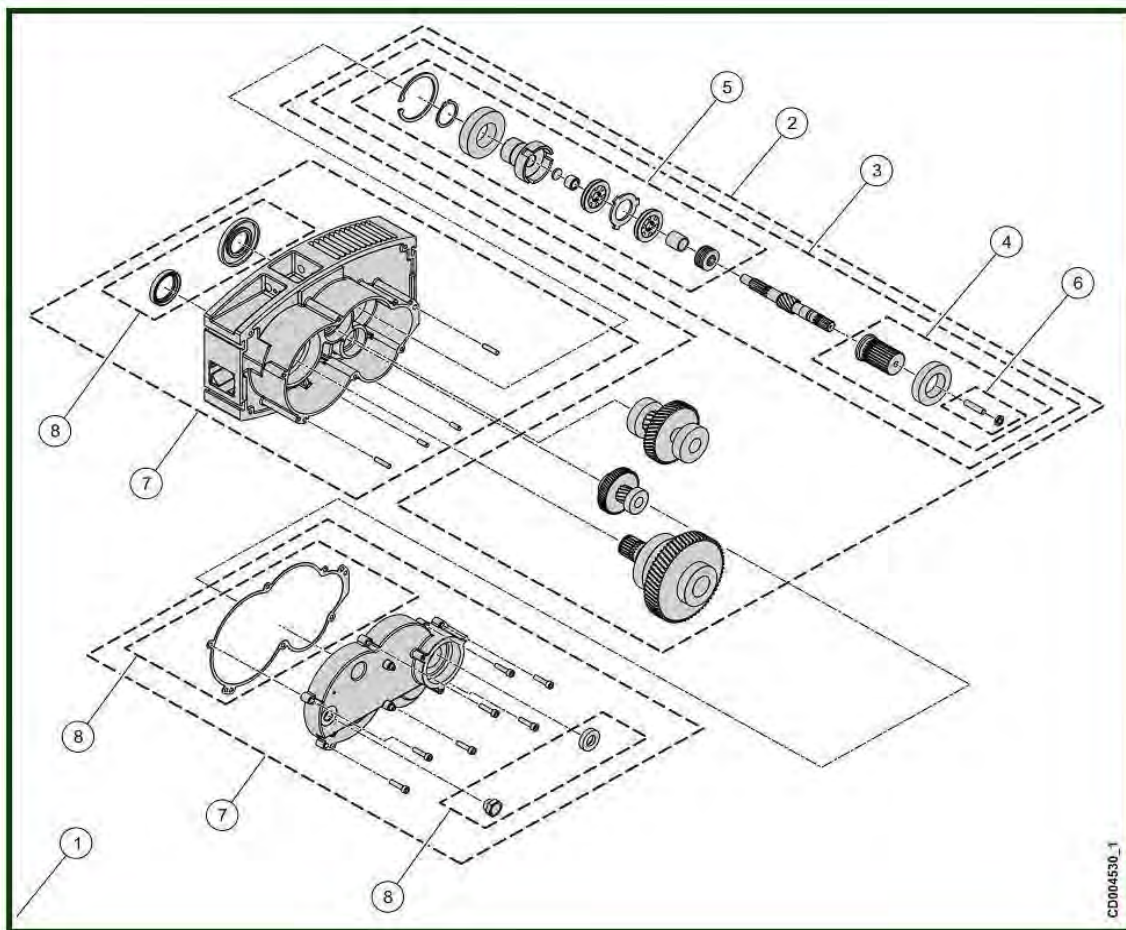
CD004530\_1

### 3.1. Single brake



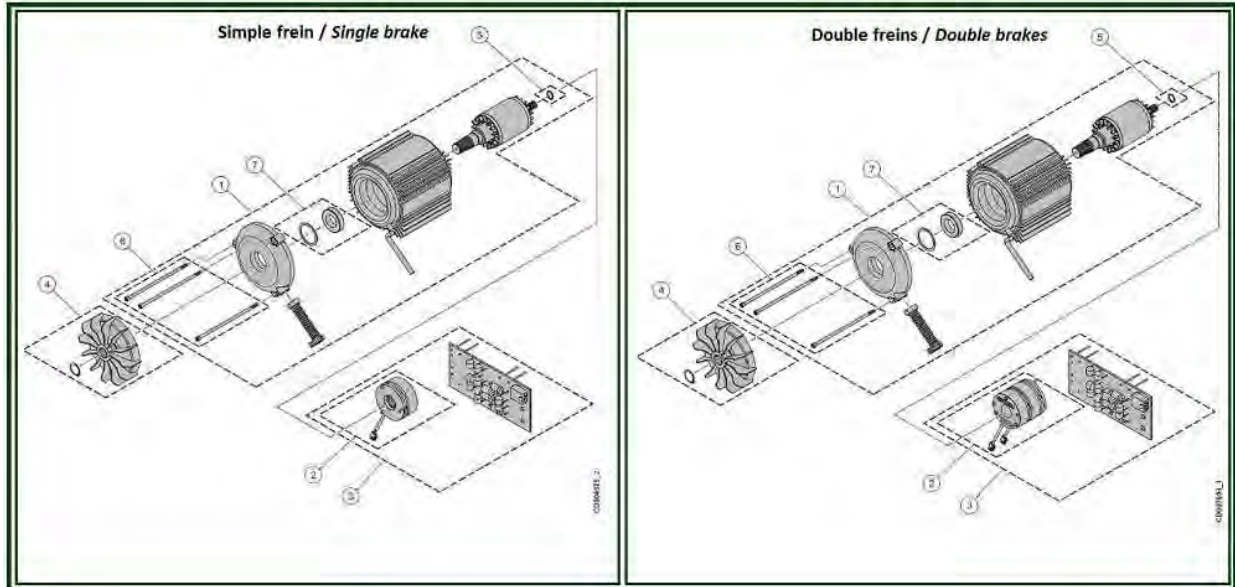
Item	Reference	Description	Observations	Quantity
1	<a href="#">VT0005886</a>	Gear assembly - Single brake	4-8 m/min: 1 fall 4-2m/min: 2 falls	1
1	<a href="#">VT0005887</a>	Gear assembly - Single brake	10 m/min: 1 fall 5 m/min: 2 falls	1
1	<a href="#">VT0005888</a>	Gear assembly - Single brake	16 m/min	1
1	<a href="#">VT0005889</a>	Gear assembly - Single brake	20 m/min	1
2	<a href="#">VT0005890</a>	Gear assembly	8 m / min	1
2	<a href="#">VT0005891</a>	Gear assembly	10 m / min	1
2	<a href="#">VT0005892</a>	Gear assembly	16 m / min	1
2	<a href="#">VT0005893</a>	Gear assembly	20 m / min	1
3	<a href="#">VT0005896</a>	Gear shaft with clutch	8-10-16-20m/min	1
4	<a href="#">VT0005897</a>	Coupling - Brake side		1
5	<a href="#">VT0005894</a>	Clutch		1
6	<a href="#">VT0005898</a>	Screws set		1
7	<a href="#">VT0005895</a>	Frame	EC	1
8	<a href="#">VT0005899</a>	Sealings set	EC	1

### 3.2. Double brakes



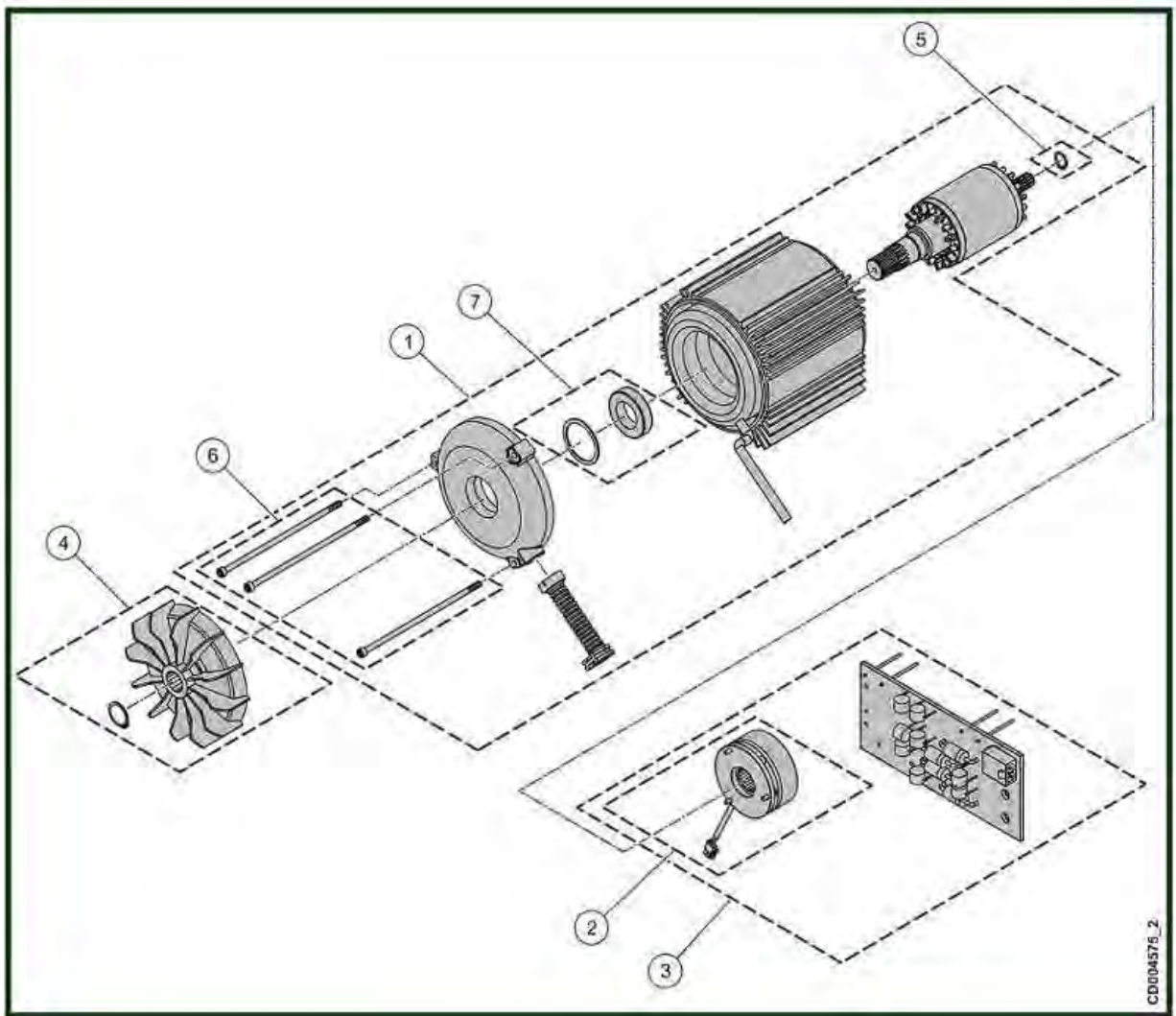
Item	Reference	Description	Observation	Quantity
1	<a href="#">VT0007749</a>	Gear assembly - Double brakes	4-8 m/min: 1 fall 4-2m/min: 2 falls	1
1	<a href="#">VT0007750</a>	Gear assembly - Double brakes	10 m/min: 1 fall 5m/min: 2 falls	1
1	<a href="#">VT0007751</a>	Gear assembly - Double brakes	16 m/min	1
1	<a href="#">VT0007752</a>	Gear assembly - Double brakes	20 m/min	1
2	<a href="#">VT0005890</a>	Gear assembly	8 m / min	1
2	<a href="#">VT0005891</a>	Gear assembly	10 m / min	1
2	<a href="#">VT0005892</a>	Gear assembly	16 m / min	1
2	<a href="#">VT0005893</a>	Gear assembly	20 m / min	1
3	<a href="#">VT0007748</a>	Gear shaft with clutch		1
4	<a href="#">VT0006525</a>	Coupling - Brake side		1
5	<a href="#">VT0005894</a>	Clutch		1
6	<a href="#">VT0005898</a>	Screws set		1
7	<a href="#">VT0005895</a>	Frame	EC	1
8	<a href="#">VT0005899</a>	Sealings set	EC	1

## 4. MOTOR





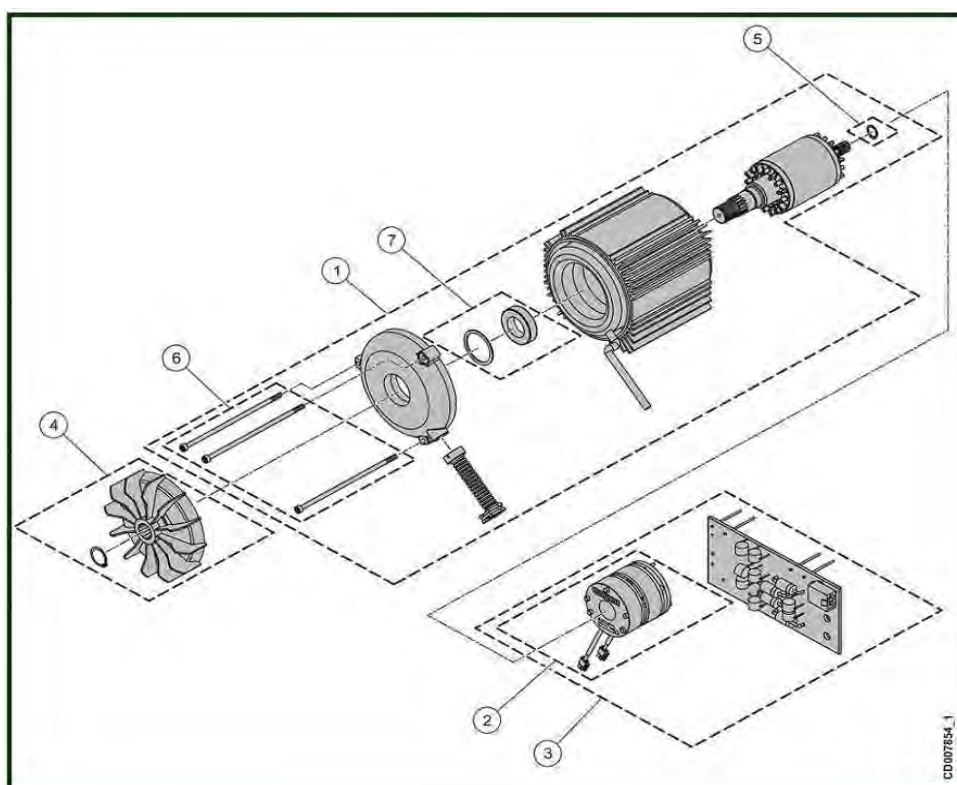
#### 4.1. Single brake



## Single brake

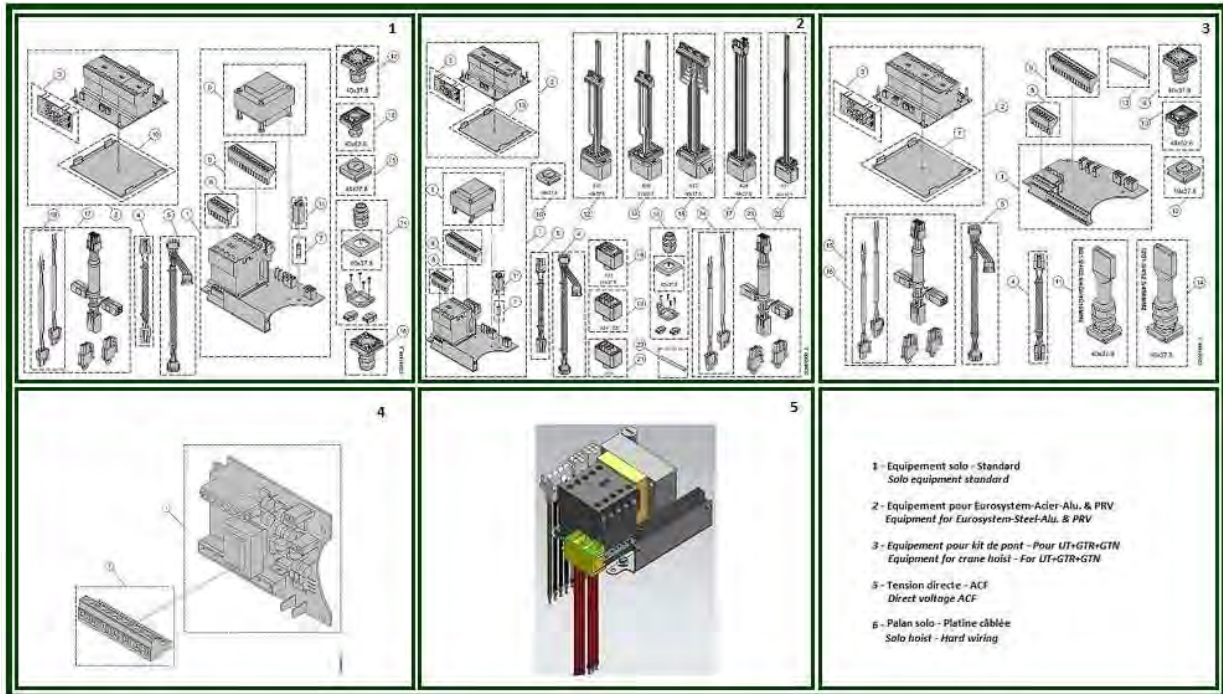
Item	Reference	Description	Observation	Quantity
1	<a href="#"><u>VT0007756</u></a>	Motor - 2 speeds	208-230V 60Hz	1
1	<a href="#"><u>VT0005907</u></a>	Motor - 2 speeds	220-240V 50Hz	1
1	<a href="#"><u>VT0007758</u></a>	Motor - 2 speeds	380-400V 60Hz	1
1	<a href="#"><u>VT0005906</u></a>	Motor - 2 speeds	380-415V 50Hz / 440-480V 60Hz	1
1	<a href="#"><u>VT0005908</u></a>	Motor - 2 speeds	500-525V 50Hz / 575-600V 60Hz	1
1	<a href="#"><u>VT0005980</u></a>	Motor - 2 speeds (2:6)	220-240V 50Hz	1
1	<a href="#"><u>VT0005979</u></a>	Motor - 2 speeds (2:6)	380-415V 50Hz / 440-480V 60Hz	1
1	<a href="#"><u>VT0005981</u></a>	Motor - 2 speeds (2:6)	500-525V 50Hz / 575-600V 60Hz	1
2	<a href="#"><u>VT0005621</u></a>	Single brake	103 V	1
2	<a href="#"><u>VT0005620</u></a>	Single brake	190 V	1
2	<a href="#"><u>VT0005877</u></a>	Single brake	255 V	1
2	<a href="#"><u>VT0006395</u></a>	Single brake	320 V	1
3	<a href="#"><u>VT0005879</u></a>	Single brake103V + Rectifier	Brake 100 VCC	1
3	<a href="#"><u>VT0005878</u></a>	Single brake190V + Rectifier	Brake 180 VCC	1
3	<a href="#"><u>VT0005880</u></a>	Single brake255V + Rectifier	Brake 240 VCC	1
3	<a href="#"><u>VT0006554</u></a>	Single brake320V + Rectifier		1
4	<a href="#"><u>VT0005915</u></a>	Fan set		1
5	<a href="#"><u>VT0005916</u></a>	Retaining ring		1
6	<a href="#"><u>VT0005917</u></a>	Screws set		1
7	<a href="#"><u>VT0005912</u></a>	Bearing set		1

## 4.2. Double brakes

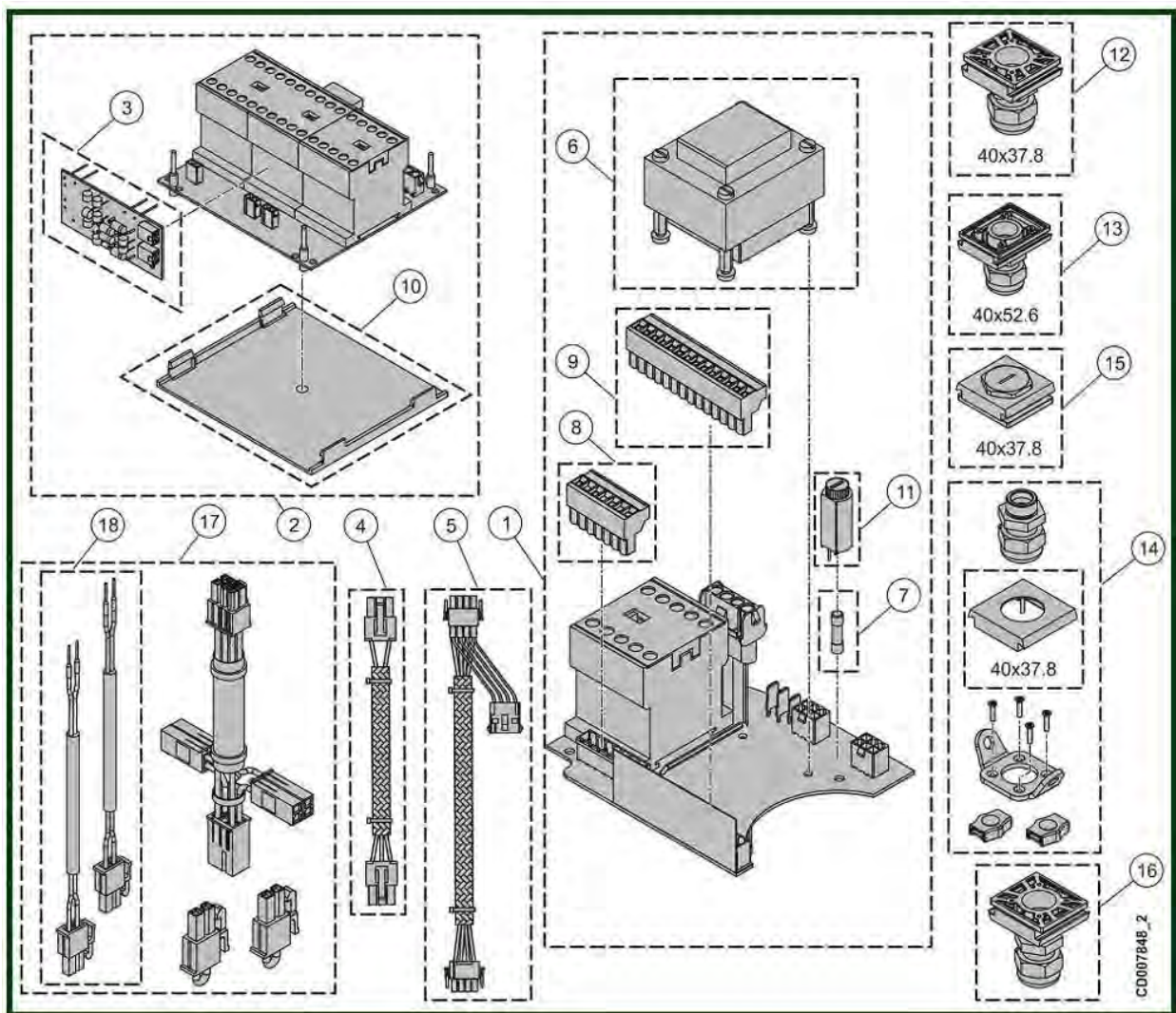


Item	Reference	Description	Observation	Quantity
1	<a href="#">VT0005907</a>	Motor - 2 speeds	220-240V 50Hz	1
1	<a href="#">VT0005906</a>	Motor - 2 speeds	380-415V 50Hz / 440-480V 60Hz	1
1	<a href="#">VT0005908</a>	Motor - 2 speeds	500-525V 50Hz / 575-600V 60Hz	1
1	<a href="#">VT0005980</a>	Motor - 2 speeds (2:6)	220-240V 50Hz	1
1	<a href="#">VT0005979</a>	Motor - 2 speeds (2:6)	380-415V 50Hz / 440-480V 60Hz	1
1	<a href="#">VT0005981</a>	Motor - 2 speeds (2:6)	500-525V 50Hz / 575-600V 60Hz	1
2	<a href="#">VT0006531</a>	Double brakes	103 V	1
2	<a href="#">VT0006551</a>	Double brakes	190 V	1
2	<a href="#">VT0006552</a>	Double brakes	255 V	1
2	<a href="#">VT0006553</a>	Double brakes	320 V	1
3	<a href="#">VT0005913</a>	Double brakes 103V + Rectifier		1
3	<a href="#">VT0005911</a>	Double brakes 190V + Rectifier		1
3	<a href="#">VT0005914</a>	Double brakes 255V + Rectifier		1
3	<a href="#">VT0006555</a>	Double brakes 320V + Rectifier		1
4	<a href="#">VT0005915</a>	Fan set		1
5	<a href="#">VT0005916</a>	Retaining ring		1
6	<a href="#">VT0005917</a>	Screws set		1
7	<a href="#">VT0005912</a>	Bearing set		1

## 5. ELECTRICAL PARTS



## 5.1. Solo equipment – Standard

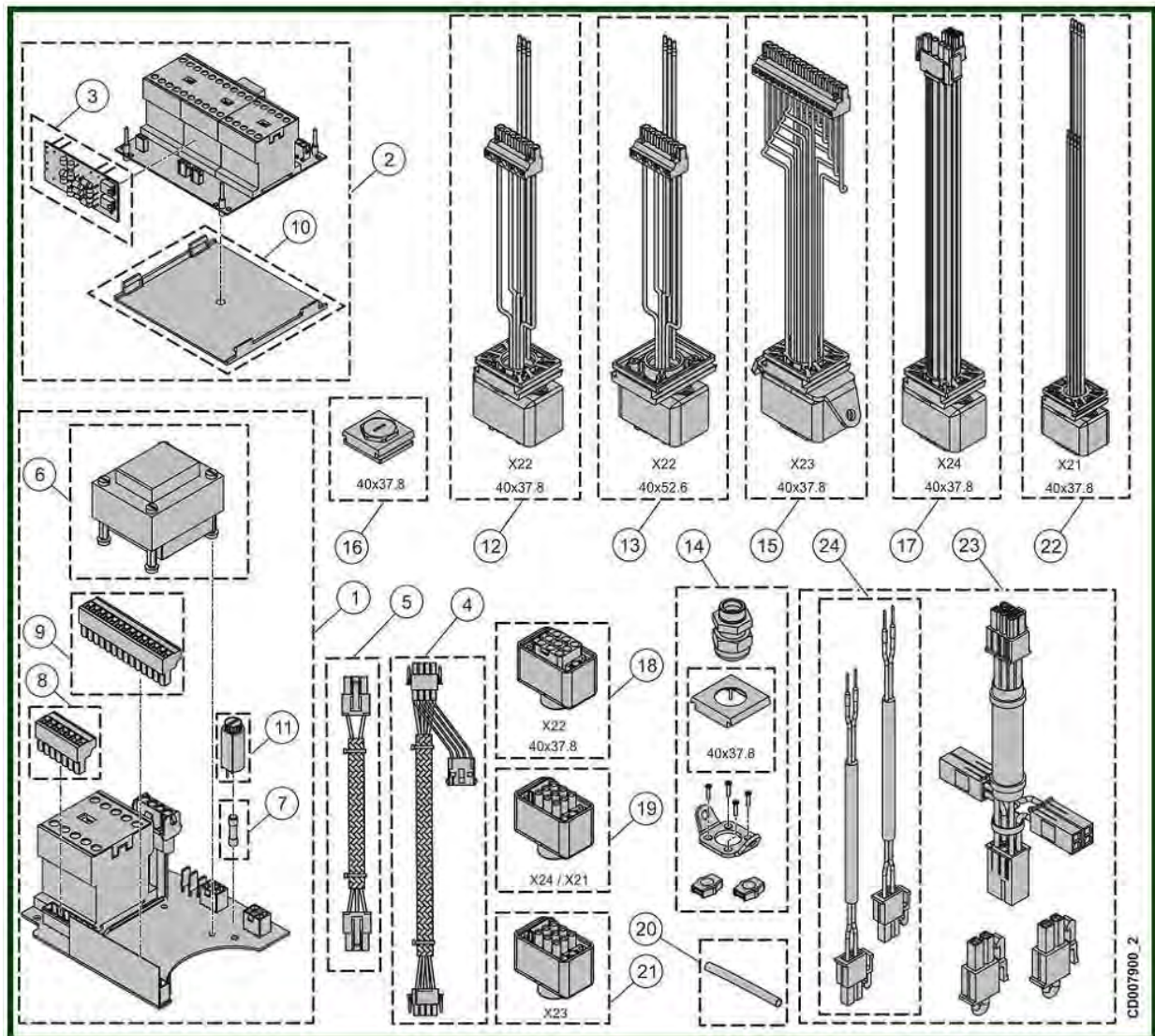


### Solo equipment - Standard

Item	Reference	Description	Observation	Quantity
1	<u>VT0006431</u>	Power supply PC Board - Solo hoist	208V 230V / 110V CI/PC	1
1	<u>VT0006430</u>	Power supply PC Board - Solo hoist	230V / 48V CI/PC	1
1	<u>VT0004944</u>	Power supply PC Board - Solo hoist	400V / 24V CI/PC BOARD	1
1	<u>VT0004942</u>	Power supply PC Board - Solo hoist	400V / 48V CI/PC BOARD	1
1	<u>VT0005312</u>	Power supply PC Board - Solo hoist	400V / 110V CI/PC BOARD	1
1	<u>VT0005313</u>	Power supply PC Board - Solo hoist	400V / 230V CI/PC BOARD	1
1	<u>VT0006432</u>	Power supply PC Board - Solo hoist	460V / 48V CI/PC BOARD	1
1	<u>VT0006433</u>	Power supply PC Board - Solo hoist	460V / 110V CI/PC BOARD	1
1	<u>VT0006434</u>	Power supply PC Board - Solo hoist	500V / 48V CI/PC BOARD	1
1	<u>VT0006446</u>	Power supply PC Board - Solo hoist	500V / 110V CI/PC BOARD	1
1	<u>VT0006435</u>	Power supply PC Board - Solo hoist	575V / 48V CI/PC BOARD	1
1	<u>VT0006447</u>	Power supply PC Board - Solo hoist	575V / 110V CI/PC BOARD	1
2	<u>VT0005302</u>	Electrical board - 2 speeds - 1 brake	230V-690V / 24V / 50 60Hz	1
2	<u>VT0004945</u>	Electrical board - 2 speeds - 1 brake	230V-690V / 48V / 50-60Hz	1
2	<u>VT0005303</u>	Electrical board - 2 speeds - 1 brake	230V-690V / 110V / 50-60Hz	1
2	<u>VT0005304</u>	Electrical board - 2 speeds - 1 brake	230V-690V/ 230V / 50-60Hz	1
2	<u>VT0005305</u>	Electrical board - 2 speeds - 2 brakes	230V-690V / 24V /50-60Hz	1
2	<u>VT0005306</u>	Electrical board - 2 speeds - 2 brakes	230V-690V / 48V / 50-60Hz	1
2	<u>VT0005307</u>	Electrical board - 2 speeds - 2 brakes	230V-690V / 50-60Hz	1
2	<u>VT0005308</u>	Electrical board - 2 speeds - 2 brakes	230V-690V/ 230V / 50-60Hz	1
3	<u>VT0004946</u>	Rectifier - 1 brake	230V-690V	1
3	<u>VT0004947</u>	Rectifier - 2 brakes	230V-690V	1
3	<u>VT0004948</u>	Rectifier reconnectable	208V-690V	1
4	<u>VT0004949</u>	Wire harness - Plug control voltage		1
5	<u>VT0004950</u>	Wire harness - Plug power voltage		1
6	<u>VT0006439</u>	Transformer	208V 230V / 115V	1
6	<u>VT0006325</u>	Transformer	230V / 48V	1
6	<u>VT0004952</u>	Transformer	400V / 24V	1
6	<u>VT0004953</u>	Transformer	400V / 48V – 50-60Hz	1
6	<u>VT0004951</u>	Transformer	400V / 115V – 50-60Hz	1
6	<u>VT0004954</u>	Transformer	400V / 230V	1
6	<u>VT0006437</u>	Transformer	460V / 48V	1
6	<u>VT0006440</u>	Transformer	460V / 110V 50-60Hz	1
6	<u>VT0006436</u>	Transformer	500V / 48V	1
6	<u>VT0006438</u>	Transformer	575V / 48V	1

6	<u>VT0008540</u>	Transformer	575V / 110V	1
7	<u>VT0004915</u>	Set of 10 fuses	48V	1
7	<u>VT0004955</u>	Set of 10 fuses	115V	1
7	<u>VT0008541</u>	Set of 10 fuses	230V	1
8	<u>VT0005107</u>	Female connector	4P	1
9	<u>VT0005108</u>	Pendant connector	14P	1
10	<u>VT0006441</u>	Insulation plate		1
11	<u>VT0006191</u>	Fuses base		1
12	<u>VT0006393</u>	Cable gland set Square cable entry	CG M20- ISO 20 Trolley-Power supply	1
13	<u>VT0005089</u>	Cable gland set Rectangular cable entry	Power supply - Only VR2	1
14	<u>VT0005090</u>	Cable gland set Square cable entry	Push button	1
15	<u>VT0006089</u>	End cap Square cable entry		1
16	<u>VT0006326</u>	Flat cable entry Square cable entry	4G2.5	1
17	<u>VT0008551</u>	Set of connection GLS	FDC MS +GLS	1
18	<u>VT0008550</u>	GLS cable	Quantity: 2 for 2 comes or 4 for 4 Comes	1
-	<u>VT0006967</u>	Time counter		1

## 5.2. Equipment for Eurosystem - Steel - Alu. & PRV



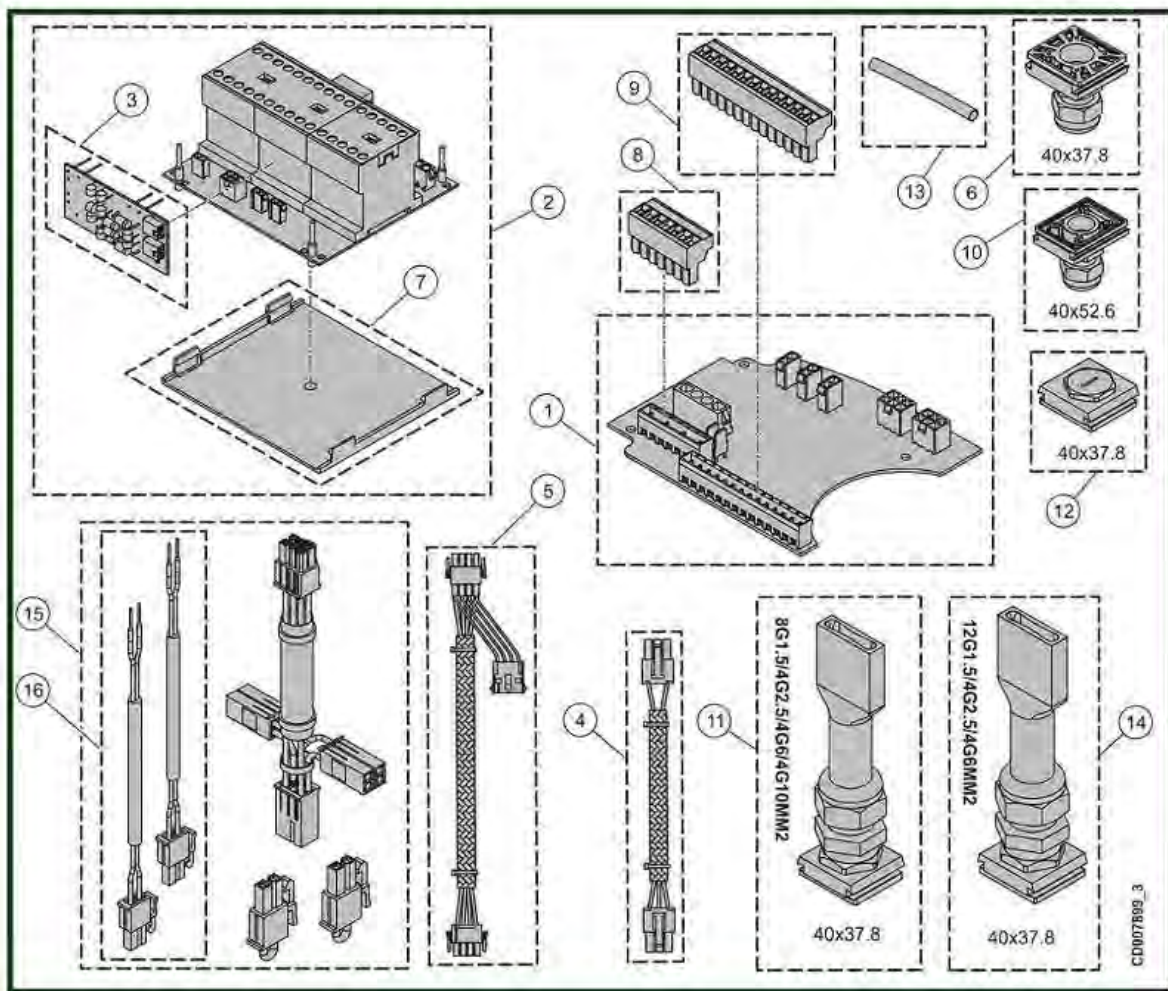


### Equipment for Eurosystem – Steel – Alu. & PRV

Item	Reference	Description	Observation	Quantity
1	<u>VT0006431</u>	Power supply PC Board - Solo hoist	208V 230V / 110V CI/PC - Standard	1
1	<u>VT0006430</u>	Power supply PC Board - Solo hoist	230V / 48V CI/PC - Standard	1
1	<u>VT0004944</u>	Power supply PC Board - Solo hoist	400V / 24V CI/PC BOARD	1
1	<u>VT0004942</u>	Power supply PC Board - Solo hoist	400V / 48V CI/PC BOARD	1
1	<u>VT0005312</u>	Power supply PC Board - Solo hoist	400V / 110V CI/PC BOARD	1
1	<u>VT0005313</u>	Power supply PC Board - Solo hoist	400V / 230V CI/PC BOARD	1
1	<u>VT0006432</u>	Power supply PC Board - Solo hoist	460V / 48V CI/PC BOARD	1
1	<u>VT0006433</u>	Power supply PC Board - Solo hoist	460V / 110V CI/PC BOARD	1
1	<u>VT0006434</u>	Power supply PC Board - Solo hoist	500V / 48V CI/PC BOARD	1
1	<u>VT0006446</u>	Power supply PC Board - Solo hoist	500V / 110V CI/PC BOARD	1
1	<u>VT0006435</u>	Power supply PC Board - Solo hoist	575V / 48V CI/PC BOARD	1
1	<u>VT0006447</u>	Power supply PC Board - Solo hoist	575V / 110V CI/PC BOARD	1
2	<u>VT0005302</u>	Electrical board - 2 speeds - 1 brake	230V-690V / 24V / 50 60Hz	1
2	<u>VT0004945</u>	Electrical board - 2 speeds - 1 brake	230V-690V / 48V / 50-60Hz	1
2	<u>VT0005303</u>	Electrical board - 2 speeds - 1 brake	230V-690V / 110V / 50-60Hz	1
2	<u>VT0005304</u>	Electrical board - 2 speeds - 1 brake	230V-690V/ 230V / 50 60Hz	1
2	<u>VT0005305</u>	Electrical board - 2 speeds - 2 brakes	230V-690V / 24V /50 60Hz	1
2	<u>VT0005306</u>	Electrical board - 2 speeds - 2 brakes	230V-690V / 48V / 50 60Hz	1
2	<u>VT0005307</u>	Electrical board - 2 speeds - 2 brakes	230V-690V / 50-60Hz	1
2	<u>VT0005308</u>	Electrical board - 2 speeds - 2 brakes	230V-690V/ 230V / 50 60Hz	1
3	<u>VT0004946</u>	Rectifier - 1 brake	230V-690V	1
3	<u>VT0004947</u>	Rectifier - 2 brakes	230V-690V	1
4	<u>VT0004949</u>	Wire harness - Plug control voltage		1
5	<u>VT0004950</u>	Wire harness - Plug power voltage		1
6	<u>VT0006439</u>	Transformer	208V 230V / 115V	1
6	<u>VT0006325</u>	Transformer	230V / 48V	1
6	<u>VT0004952</u>	Transformer	400V / 24V	1
6	<u>VT0004953</u>	Transformer	400V / 48V - 50/60Hz	1
6	<u>VT0004951</u>	Transformer	400V / 115V - 50/60Hz	1
6	<u>VT0004954</u>	Transformer	400V / 230V	1
6	<u>VT0006437</u>	Transformer	460V / 48V	1
6	<u>VT0006440</u>	Transformer	460V / 110V 50/60Hz	1
6	<u>VT0006436</u>	Transformer	500V / 48V	1
6	<u>VT0006438</u>	Transformer	575V / 48V	1
6	<u>VT0008540</u>	Transformer	575V / 110V	1

7	<u>VT0004915</u>	Set of 10 fuses	48V	1
7	<u>VT0004955</u>	Set of 10 fuses	115V	1
7	<u>VT0008541</u>	Set of 10 fuses	230V	1
8	<u>VT0005107</u>	Female connector	4P	1
9	<u>VT0005108</u>	Pendant connector	14P	1
10	<u>VT0006441</u>	Insulation plate		1
11	<u>VT0006191</u>	Fuses base		1
12	<u>VT0007798</u>	Power supply connector set Square	X 22 – Hoist side	1
13	<u>VT0007574</u>	Power supply connector set Rectangular	X 22 - Hoist side - Only VR2	1
14	<u>VT0005090</u>	Cable gland set Square cable entry	Push button	1
15	<u>VT0007224</u>	Push button connector set -	X23 - Hoist side Movable push button only	1
16	<u>VT0006089</u>	End cap - Square cable entry		1
17	<u>VT0006971</u>	Connector set - Trolley	X 24 - Hoist side	1
18	<u>VT0007804</u>	Connector set - Power supply	X 22 - Flat cable side	1
19	<u>VT0007805</u>	Connector set - Trolley	X 24 - Flat cable side	1
20	<u>VT0007781</u>	Head shrinkable tube		1
21	<u>VT0007806</u>	Connector set- Push button	X23 - Side push button Movable push button only	1
22	<u>VT0008135</u>	Crane cubicle connector set	X 21 – Hoist side	1
23	<u>VT0008551</u>	Set of connection GLS	FDC MS +GLS	1
24	<u>VT0008550</u>	GLS cable	Quantity 2 for 2 comes or 4 for 4 comes	1
-	<u>VT0006967</u>	Time counter		1

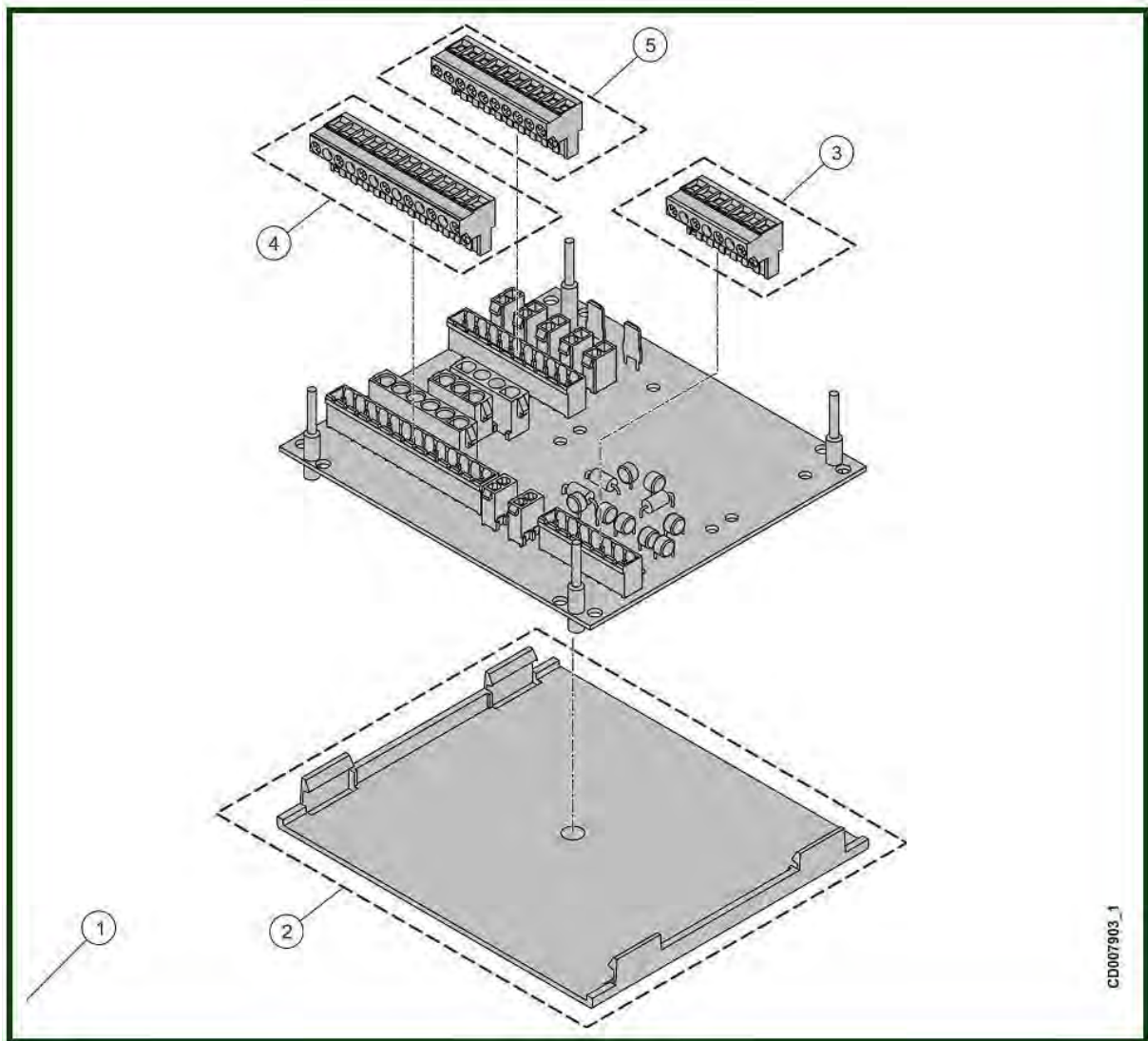
### 5.3. Equipment for crane hoist - For UT+GTR+GTN



### Equipment for crane kit - For UT+GTR+GTN

Item	Reference	Description	Observation	Quantity
1	<a href="#">VT0004943</a>	Electrical power crane	230V-690V CI/PC BOARD	1
2	<a href="#">VT0005302</a>	Electrical board - 2 speeds - 1 brake	230V-690V / 24V / 50 60Hz	1
2	<a href="#">VT0004945</a>	Electrical board - 2 speeds - 1 brake	230V-690V / 48V / 50-60Hz	1
2	<a href="#">VT0005303</a>	Electrical board - 2 speeds - 1 brake	230V-690V / 110V / 50-60Hz	1
2	<a href="#">VT0005304</a>	Electrical board - 2 speeds - 1 brake	230V-690V/ 230V / 50 60Hz	1
2	<a href="#">VT0005305</a>	Electrical board - 2 speeds - 2 brakes	230V-690V / 24V /50 60Hz	1
2	<a href="#">VT0005306</a>	Electrical board - 2 speeds - 2 brakes	230V-690V / 48V / 50 60Hz	1
2	<a href="#">VT0005307</a>	Electrical board - 2 speeds - 2 brakes	230V-690V / 50-60Hz	1
2	<a href="#">VT0005308</a>	Electrical board - 2 speeds - 2 brakes	230V-690V/ 230V / 50 60Hz	1
3	<a href="#">VT0004946</a>	Rectifier - 1 brake	230V-690V	1
3	<a href="#">VT0004947</a>	Rectifier - 2 brakes	230V-690V	1
4	<a href="#">VT0004949</a>	Wire harness - Plug control voltage		1
5	<a href="#">VT0004950</a>	Wire harness - Plug power voltage		1
6	<a href="#">VT0006393</a>	Cable gland set Square cable entry	CG M20- ISO 20 Trolley-Power supply	1
7	<a href="#">VT0006441</a>	Insulation plate		1
8	<a href="#">VT0005107</a>	Female connector	4P	1
9	<a href="#">VT0005108</a>	Pendant connector	14P	1
10	<a href="#">VT0007782</a>	Cable gland set Rectangular cable entry	4G2.5MM2 Flat cable - Only VR2	1
11	<a href="#">VT0007780</a>	Cable gland set Square cable entry	8G1.5/4G2.5/4G6/4G10mm2	1
12	<a href="#">VT0006089</a>	End cap - Square cable entry		1
13	<a href="#">VT0007781</a>	Head shrinkable tube		1
14	<a href="#">VT0006454</a>	Flat cable gland set Square cable entry	12G1.5/4G2.5/4G6mm2 - ISO 25	1
15	<a href="#">VT0008551</a>	Set of connection GLS	FDC MS +GLS	1
16	<a href="#">VT0008550</a>	GLS cable	Quantity : 2 for 2 comes or 4 for 4 comes	1
-	<a href="#">VT0006967</a>	Time counter		1

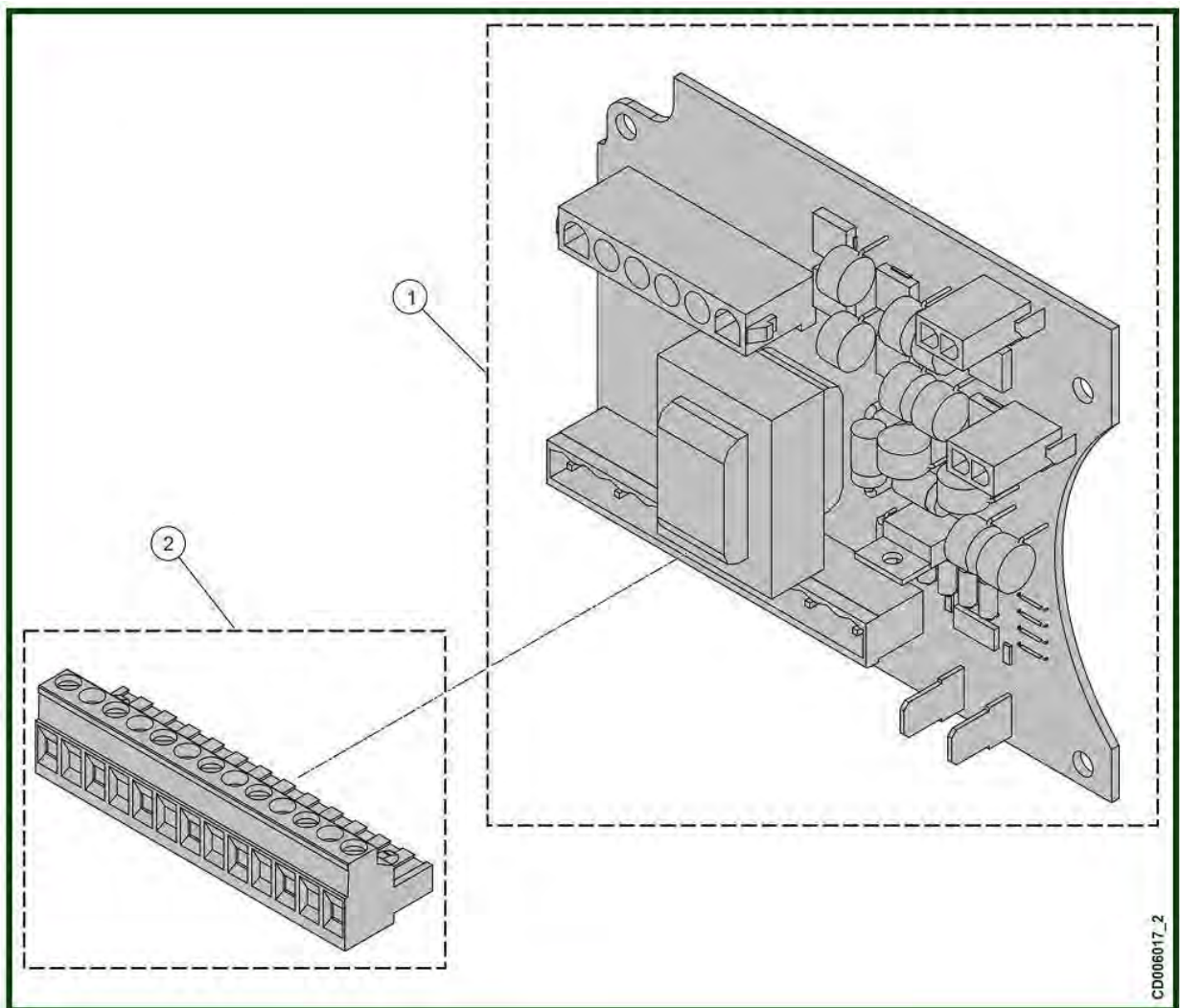
#### 5.4. Without electric component



CD007903\_1

Item	Reference	Description	Observation	Quantity
1	<a href="#">VT0007656</a>	Electrical board	Without electric component + Rectifier	1
2	<a href="#">VT0006441</a>	Insulation plate		1
3	<a href="#">VT0005107</a>	Female connector	4P	1
4	<a href="#">VT0006429</a>	Wire harness Plug power voltage	7P	1
5	<a href="#">VT0009330</a>	Control connector	10P	1

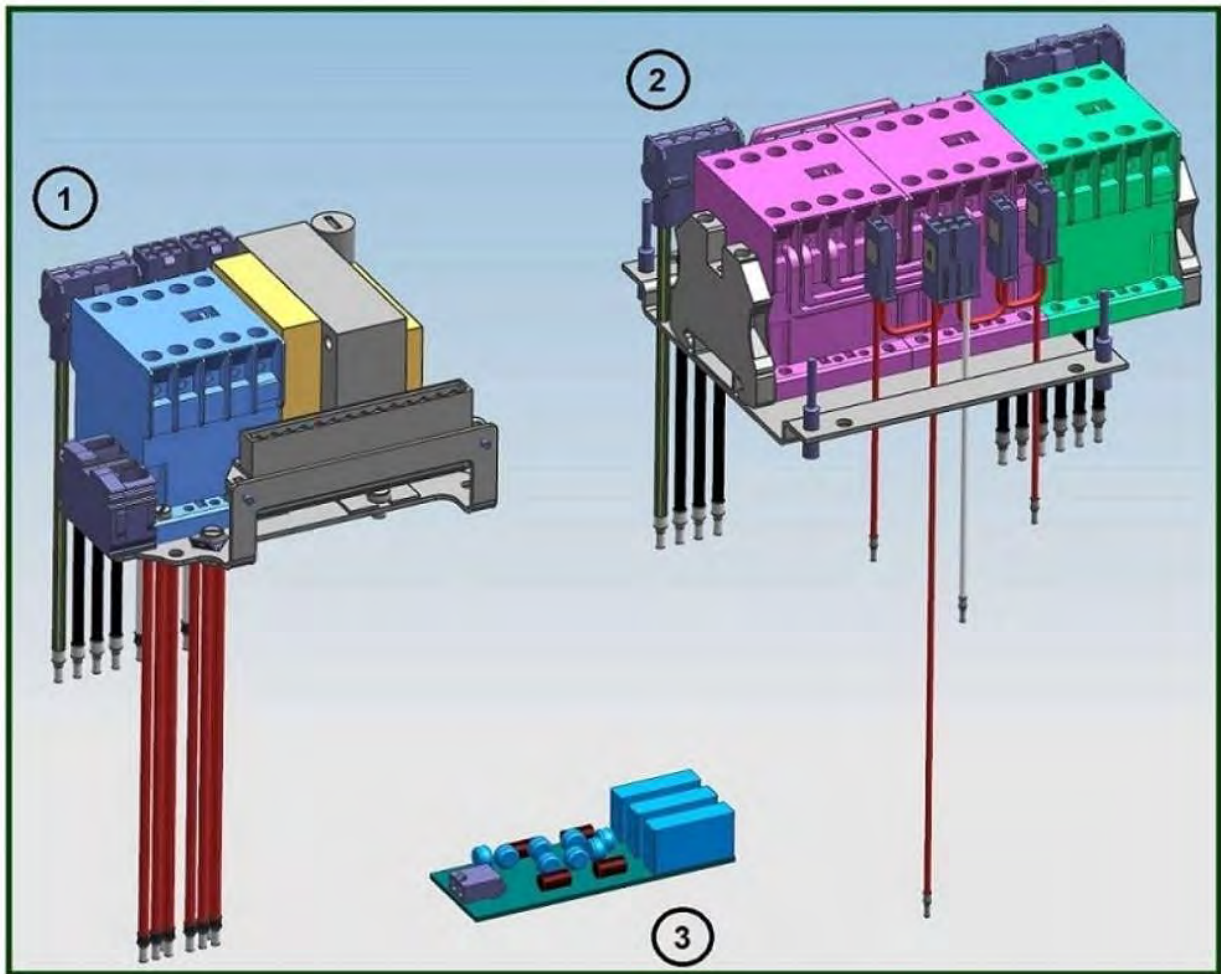
## 5.5. Direct voltage – ACF



Item	Reference	Description	Observation	Quantity
1	<a href="#">VT0006428</a>	Carte ACF - 2 speeds		1
2	<a href="#">VT0006429</a>	Wire harness Plug power voltage		1

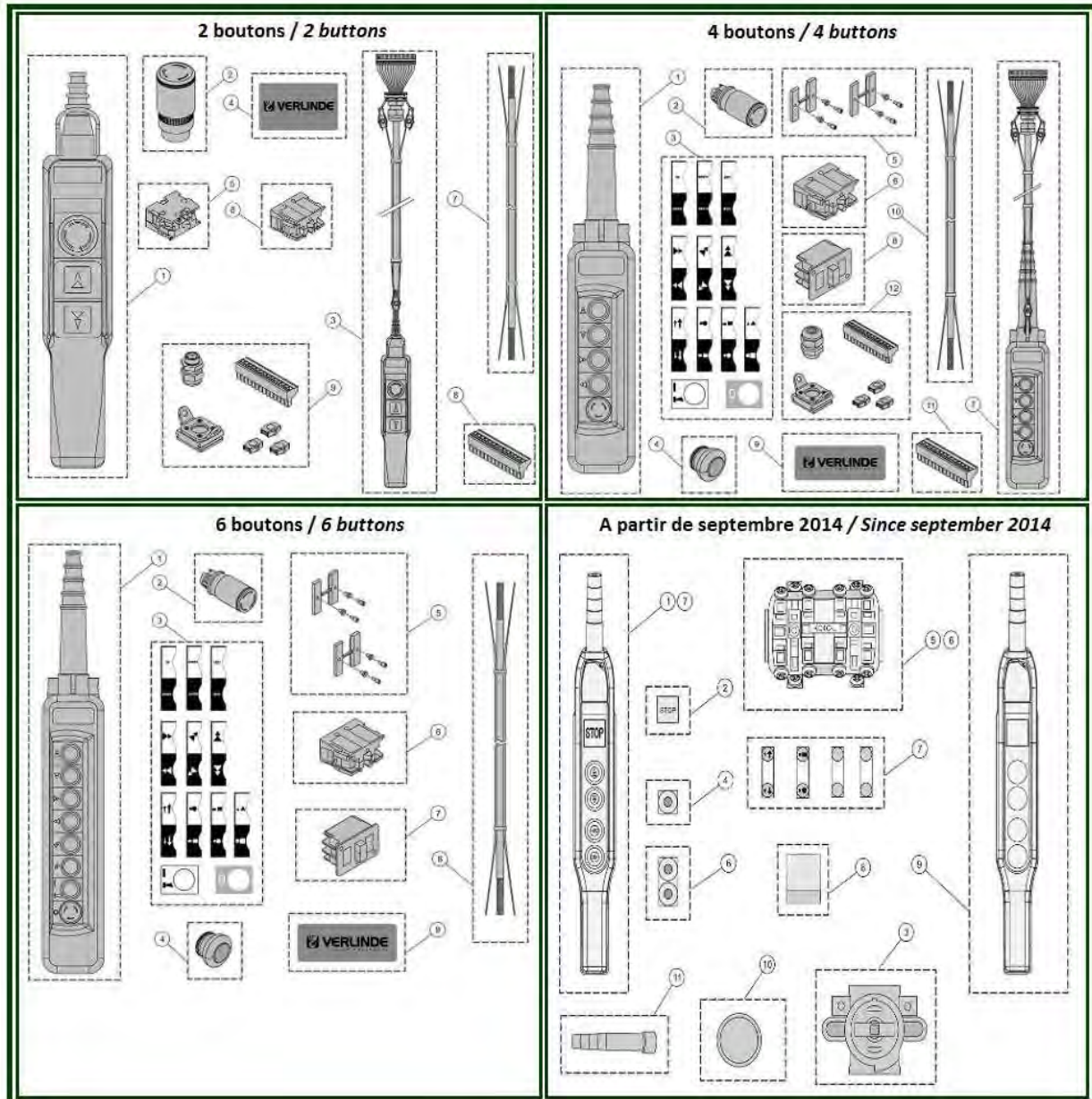
## 5.6. Solo hoist - Hard wiring

Option



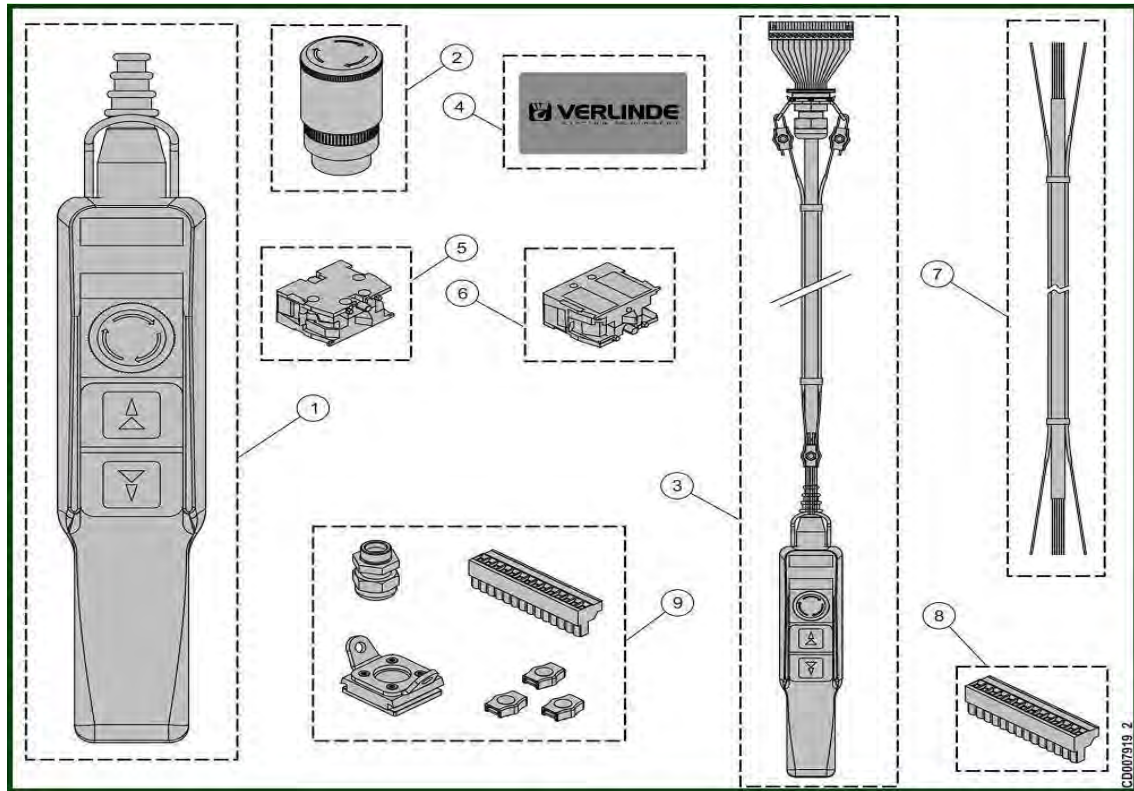
Item	Reference	Description	Observation	Quantity
1	<a href="#">VT0007058</a>	Power supply PC Board - Solo hoist	400V-48V	1
1	<a href="#">VT0007084</a>	Power supply PC Board - Solo hoist	400V-110V	1
1	<a href="#">VT0007086</a>	Power supply PC Board - Solo hoist	460V-48V	1
1	<a href="#">VT0007087</a>	Power supply PC Board - Solo hoist	460V-110V	1
2	<a href="#">VT0007057</a>	Electric board - 2 speeds - 1 brake	208V-575V /48V	1
2	<a href="#">VT0007089</a>	Electric board - 2 speeds - 1 brake	208V-575V /110V-115V	1
3	<a href="#">VT0008823</a>	Rectifier	208V-575V	1

## 6. PUSH BUTTON CONTROLLER



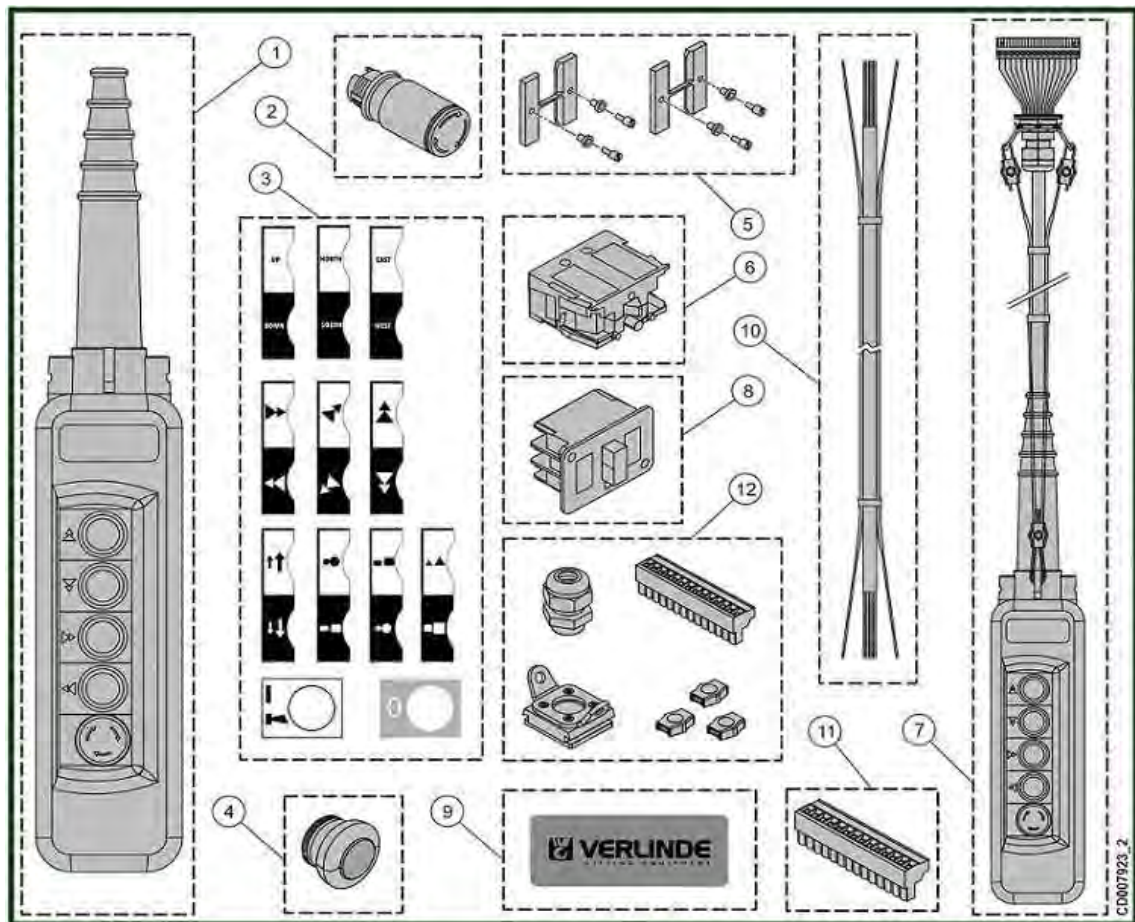


## 6.1. 2 buttons



Item	Reference	Description	Observation	Quantity
1	<a href="#">VT0005061</a>	Push button - 2HS+ES	Yellow	1
2	<a href="#">VT0006547</a>	Emergency push button		1
3	<a href="#">VT0005612</a>	Pendant with cable - 2HS+ES	2,2 m - Yellow - CE	1
3	<a href="#">VT0005613</a>	Pendant with cable - 2HS+ES	2,7 m - Yellow - CE	1
3	<a href="#">VT0005614</a>	Pendant with cable - 2HS+ES	3,2 m - Yellow - CE	1
3	<a href="#">VT0005615</a>	Pendant with cable - 2HS+ES	3,7 m - Yellow - CE	1
3	<a href="#">VT0005616</a>	Pendant with cable - 2HS+ES	4,2 m - Yellow - CE	1
3	<a href="#">VT0005617</a>	Pendant with cable - 2HS+ES	4,7 m - Yellow - CE	1
3	<a href="#">VT0005618</a>	Pendant with cable - 2HS+ES	5,2 m - Yellow - CE	1
3	<a href="#">VT0005619</a>	Pendant with cable - 2HS+ES	5,7 m - Yellow - CE	1
4	<a href="#">VT0007837</a>	Sticker - Brand	VERLINDE	1
5	<a href="#">VT0005064</a>	Contact block	Z B2-BE101	1
6	<a href="#">VT0005066</a>	Contact block	Z B2-BE 102	1
7	<a href="#">VT0006746</a>	Cable	5x1,5 mm <sup>2</sup> - CE	1
8	<a href="#">VT0005108</a>	Pendant connector	14P	1
9	<a href="#">VT0007583</a>	Pendant plug set	ISO	1

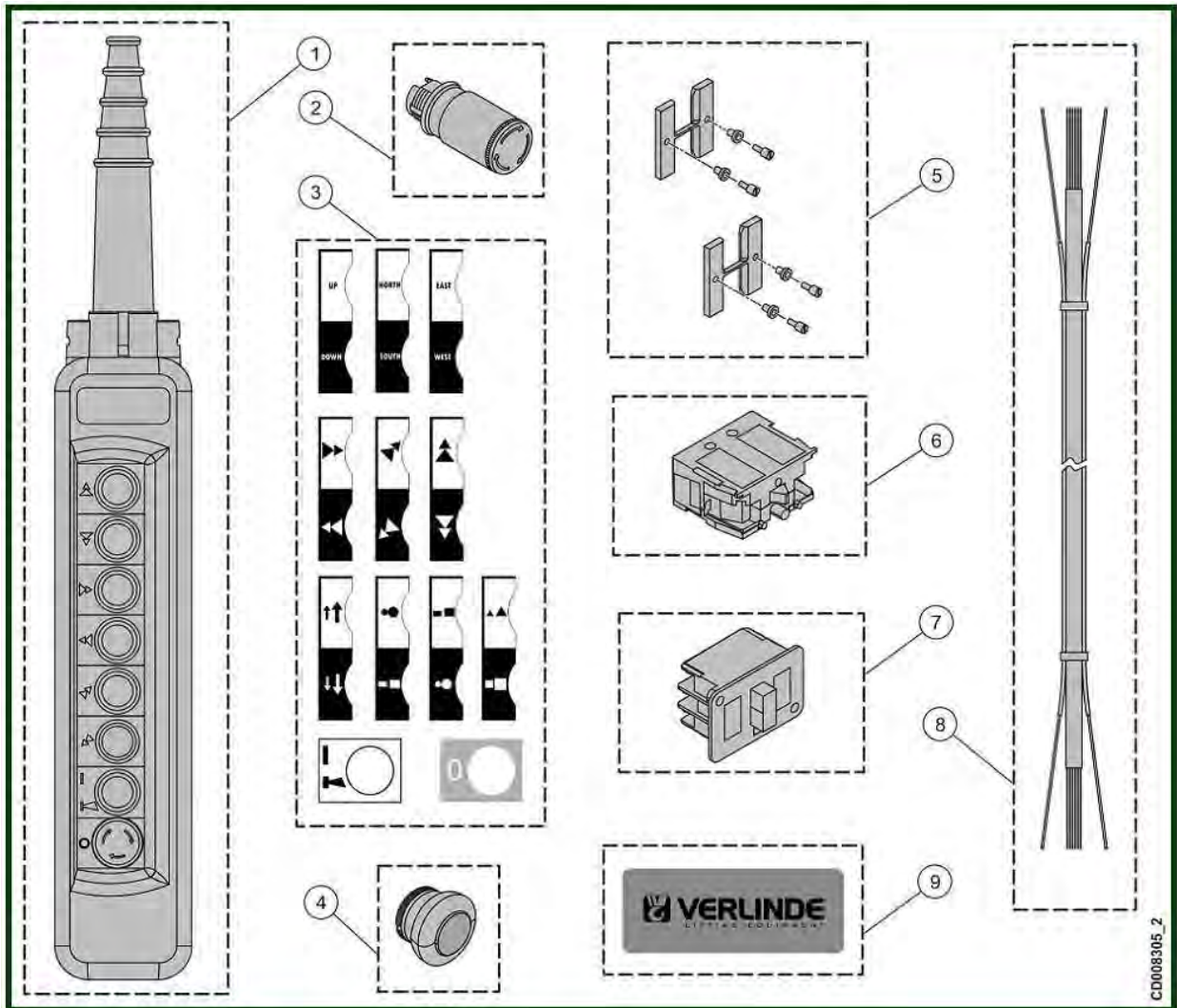
## 6.2. 4 buttons



#### 4 buttons

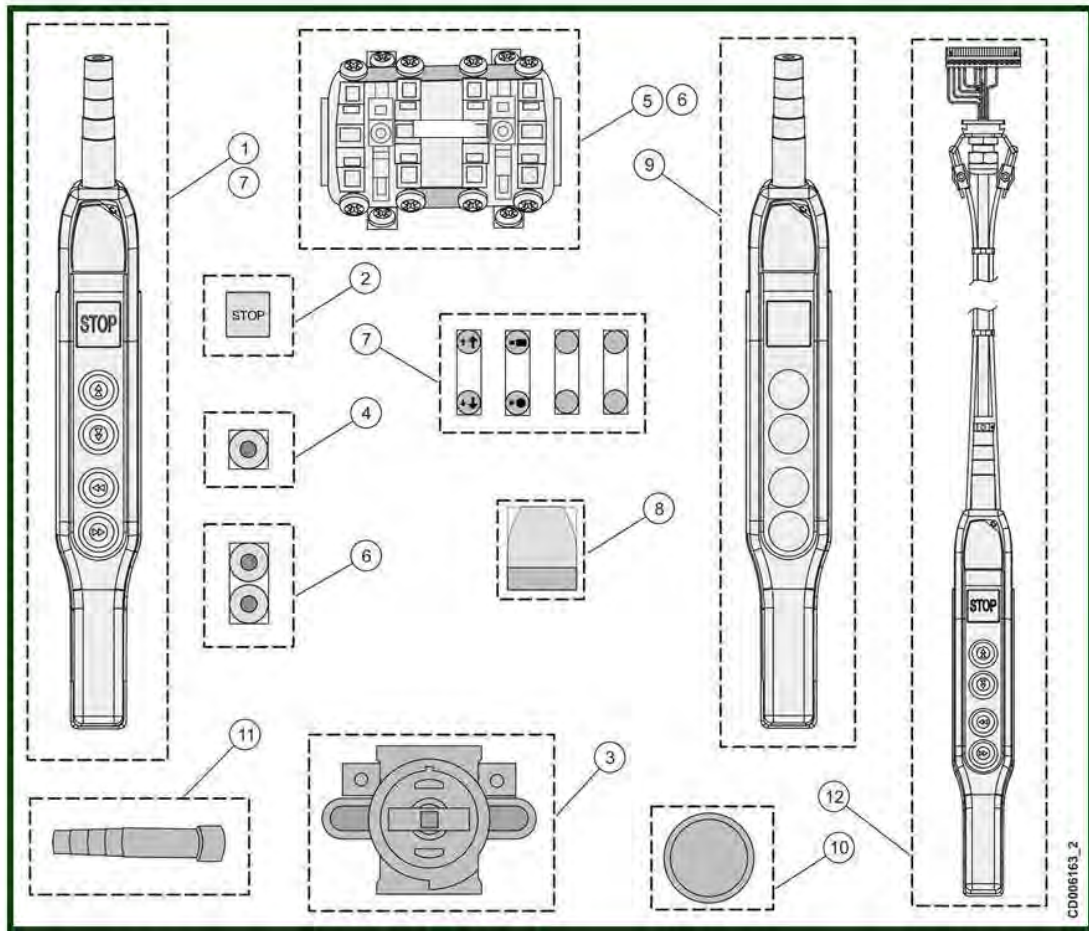
Item	Reference	Description	Observations	Quantity
1	<a href="#">VT0005055</a>	Push button 2HS+2TS+ES	Yellow	1
2	<a href="#">VT0006548</a>	Emergency push button		1
3	<a href="#">VT0007882</a>	Set of direction symbols		1
4	<a href="#">VT0005063</a>	Push button		1
5	<a href="#">VT0005072</a>	Mechanical interlock		2
6	<a href="#">VT0005066</a>	Contact block	Z B2-BE 102	1
7	<a href="#">VT0006059</a>	Pendant with cable - 2HS+2TS+ES	4,2 m - Yellow	1
7	<a href="#">VT0006060</a>	Pendant with cable - 2HS+2TS+ES	4,7 m - Yellow	1
7	<a href="#">VT0006061</a>	Pendant with cable - 2HS+2TS+ES	5,2 m - Yellow	1
7	<a href="#">VT0006062</a>	Pendant with cable - 2HS+2TS+ES	5,7 m - Yellow	1
7	<a href="#">VT0006055</a>	Pendant with cable - 2HS+2TS+ES	2,2 m - Yellow	1
7	<a href="#">VT0006056</a>	Pendant with cable - 2HS+2TS+ES	2,7 m - Yellow	1
7	<a href="#">VT0006057</a>	Pendant with cable - 2HS+2TS+ES	3,2 m - Yellow	1
7	<a href="#">VT0006058</a>	Pendant with cable - 2HS+2TS+ES	3,7 m - Yellow	1
8	<a href="#">VT0007879</a>	Block contact	X ENG1191	1
9	<a href="#">VT0007880</a>	Sticker - Brand		1
10	<a href="#">VT0006747</a>	Cable - 8x1,5mm <sup>2</sup>	meter	1
11	<a href="#">VT0005108</a>	Pendant connector	14P	1
12	<a href="#">VT0007583</a>	Pendant plug set	ISO	1

### 6.3. 6 buttons



Item	Reference	Description	Observations	Quantity
1	<a href="#">VT0005058</a>	Push button 2HS+2TS+2LS+ON-OFF	Yellow	1
2	<a href="#">VT0006548</a>	Emergency push button		1
3	<a href="#">VT0007882</a>	Set of direction symbols		1
4	<a href="#">VT0005063</a>	Push button		1
5	<a href="#">VT0005072</a>	Mechanical interlock		2
6	<a href="#">VT0005066</a>	Contact block	Z B2-BE 102	1
7	<a href="#">VT0007879</a>	Block contact	X ENG1191	1
8	<a href="#">VT0008073</a>	Cable	16x1.52mm <sup>2</sup> - meter	1
8	<a href="#">VT0008074</a>	Cable	20x1.5mm <sup>2</sup> - meter	1
9	<a href="#">VT0007880</a>	Sticker - Brand	VERLINDE	1
-	<a href="#">VT0005108</a>	Pendant connector	14P	1

#### 6.4. Push button - From september 2014

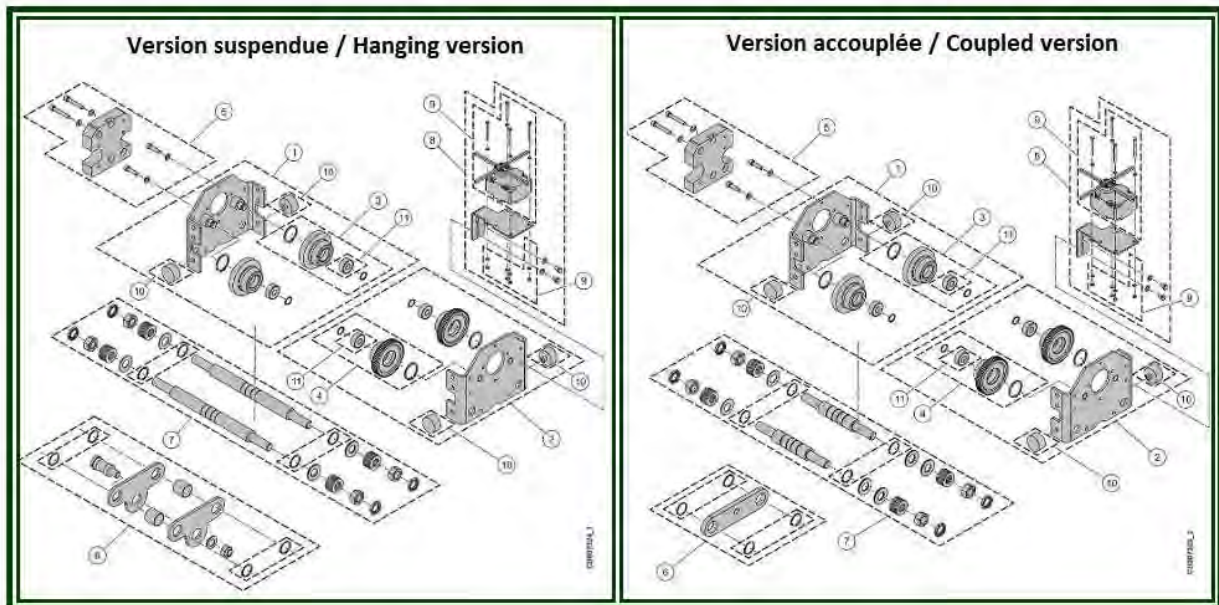


### Push button - From september 2014

Item	Reference	Description	Observation	Quantity
1	<u>VT0006495</u>	Push button - 2HS+2TS+ES	Yellow - 4 buttons	1
1	<u>VT0006493</u>	Push button - 2HS+ES	Yellow - 2 buttons	1
2	<u>VT0006509</u>	Emergency push button		1
3	<u>VT0006510</u>	Emergency stop contact block		1
4	<u>VT0006511</u>	Rubber push button		1
5	<u>VT0006513</u>	Bloc de contact	2 speeds	1
6	<u>VT0006514</u>	Kit de 2 boutons + bloc de contact		1
7	<u>VT0006754</u>	Stickers - Direction symbols	ANSI	1
7	<u>VT0006752</u>	Stickers - Direction symbols	DIN	1
7	<u>VT0006753</u>	Stickers - Direction symbols	FIN-SEN	1
8	<u>VT0006496</u>	Sticker - Brand	VERLINDE	1
9	<u>VT0006515</u>	Push button	Yellow - 2 buttons	1
9	<u>VT0006518</u>	Push button	Yellow - 4 buttons	1
10	<u>VT0006517</u>	Magnet		1
11	<u>VT0006516</u>	Bouchon caoutchouc		1
12	<u>VT0006958</u>	Push buttons box + cable + plug - 2HS+ES	2,20 m - Yellow - DIN	1
12	<u>VT0006951</u>	Push buttons box + cable + plug - 2HS+ES	2,70 m - Yellow - DIN	1
12	<u>VT0006952</u>	Push buttons box + cable + plug - 2HS+ES	3,20 m - Yellow - DIN	1
12	<u>VT0006953</u>	Push buttons box + cable + plug - 2HS+ES	3,70 m - Yellow - DIN	1
12	<u>VT0006954</u>	Push buttons box + cable + plug - 2HS+ES	4,20 m - Yellow - DIN	1
12	<u>VT0006955</u>	Push buttons box + cable + plug - 2HS+ES	4,70 m - Yellow - DIN	1
12	<u>VT0006956</u>	Push buttons box + cable + plug - 2HS+ES	5,20 m - Yellow - DIN	1
12	<u>VT0006957</u>	Push buttons box + cable + plug - 2HS+ES	5,70 m - Yellow - DIN	1
13	<u>VT0006959</u>	Push buttons box + cable + plug - 2HS+2TS+ES	2,20 m - Yellow - DIN	1
13	<u>VT0006966</u>	Push buttons box + cable + plug - 2HS+2TS+ES	2,70 m - Yellow - DIN	1
13	<u>VT0006960</u>	Push buttons box + cable + plug - 2HS+2TS+ES	3,20 m - Yellow - DIN	1
13	<u>VT0006961</u>	Push buttons box + cable + plug - 2HS+2TS+ES	3,70 m - Yellow - DIN	1
13	<u>VT0006962</u>	Push buttons box + cable + plug - 2HS+2TS+ES	4,20 m - Yellow - DIN	1
13	<u>VT0006963</u>	Push buttons box + cable + plug - 2HS+2TS+ES	4,70 m - Yellow - DIN	1
13	<u>VT0006964</u>	Push buttons box + cable + plug - 2HS+2TS+ES	5,20 m - Yellow - DIN	1
13	<u>VT0006965</u>	Push buttons box + cable + plug - 2HS+2TS+ES	5,70 m - Yellow - DIN	1

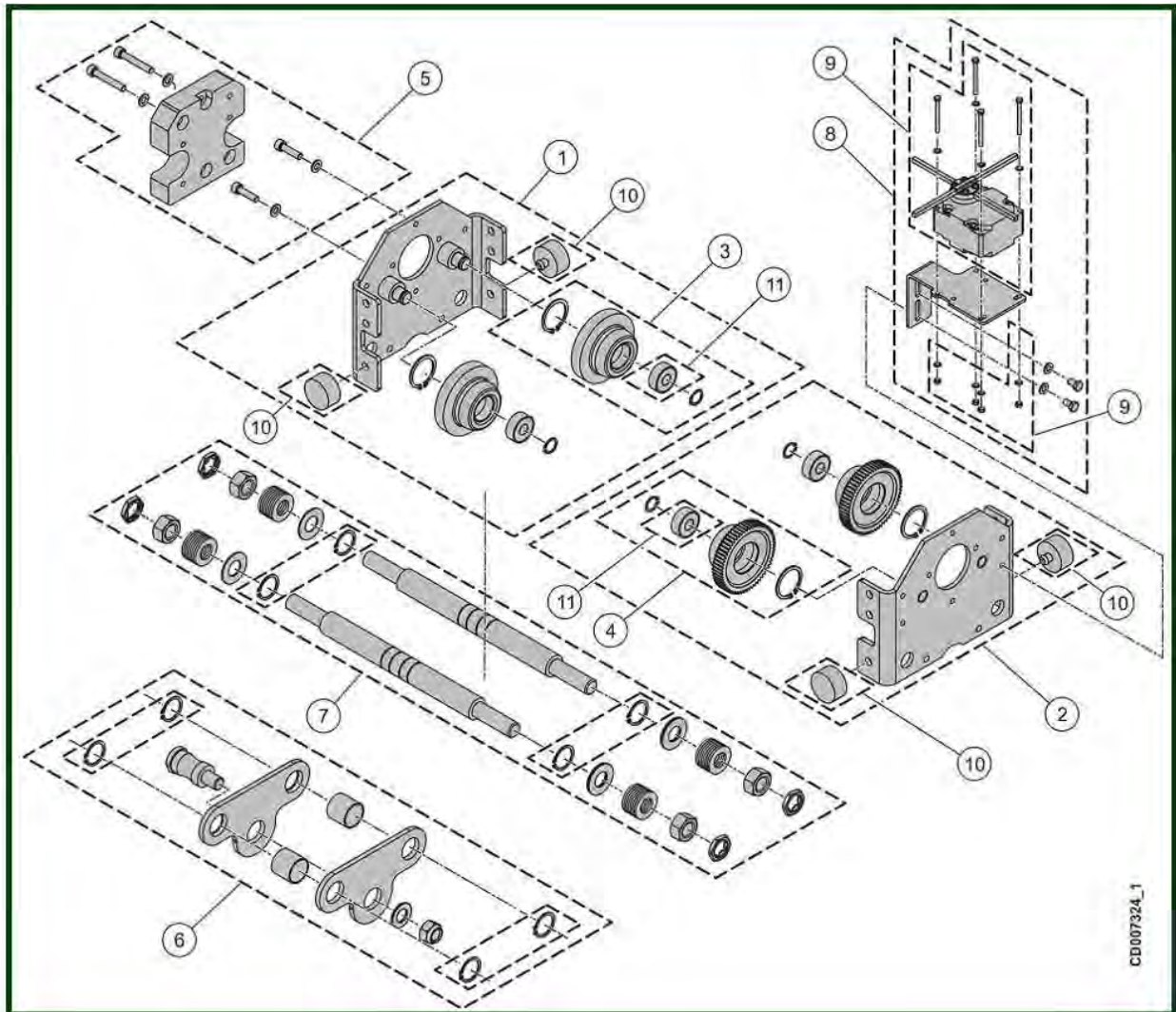
## 7. NORMAL HEADROOM TROLLEY

NHT



## 7.1. C1 Trolley - 0 TO 1000 kg – Hanging version

NHT





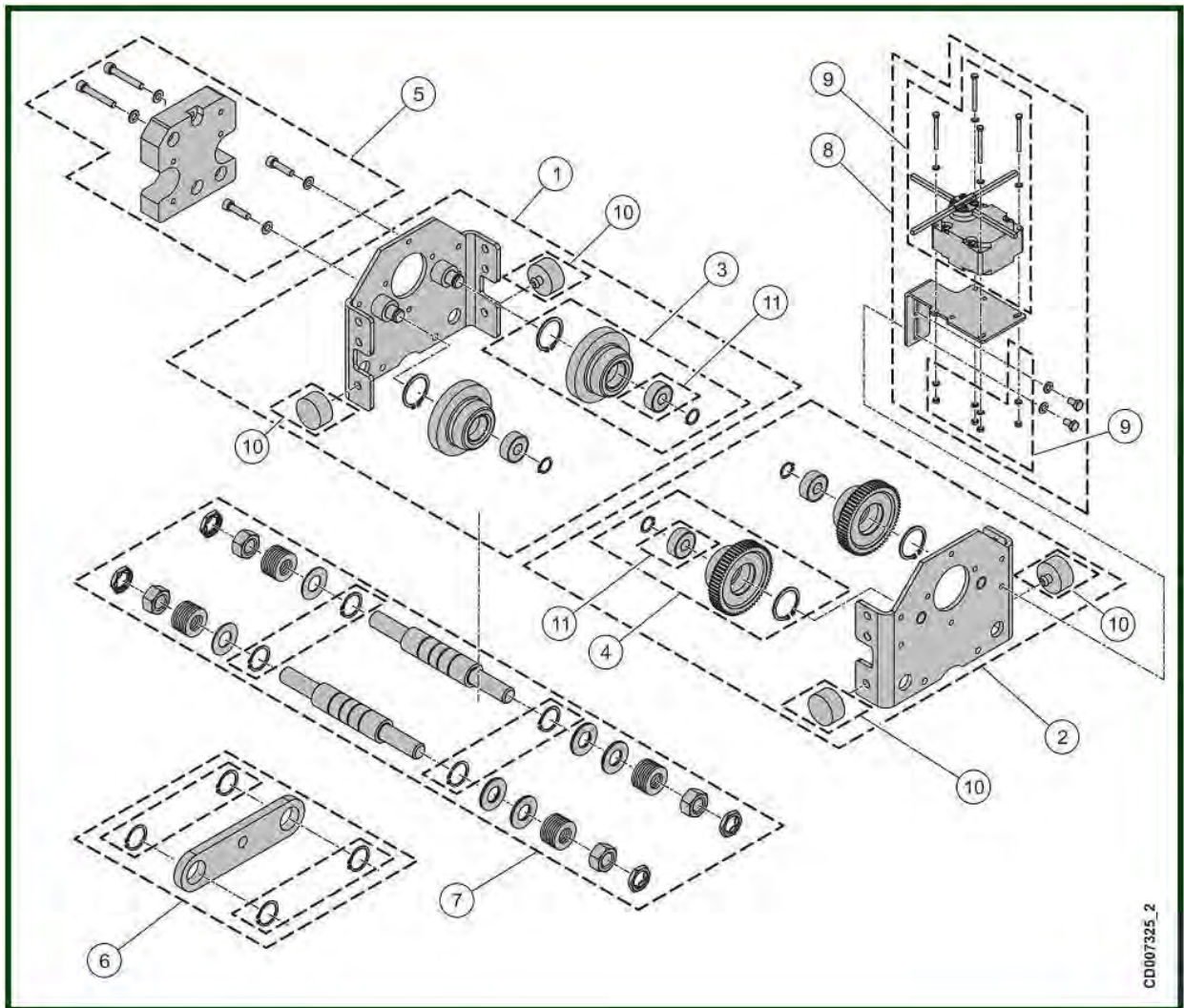
C1 trolley - 0 to 1000 kg - Hanging version

NHT

Item	Reference	Description	Observation	Quantity
1	<u>VT0007051</u>	Idler side plate assembly		1
2	<u>VT0007066</u>	Drive side plate assembly		1
3	<u>VT0007061</u>	Complete set of travel wheel without shaft		1
4	<u>VT0007063</u>	Complete driving wheel without shaft	Ø 62 - 93 mm	1
5	<u>VT0007062</u>	Set of counterweight		1
6	<u>VT0007064</u>	Coupling part	Hanging version	1
7	<u>VT0007026</u>	Tie rod set beam - 55 to 100 mm	Monobloc tie road since 1999	1
7	<u>VT0007027</u>	Tie rod set beam - 106 to 150 mm	Monobloc tie road since 1999	1
7	<u>VT0007028</u>	Tie rod set beam - 155 to 200 mm	Monobloc tie road since 1999	1
7	<u>VT0007029</u>	Tie rod set beam - 206 o 248 mm	Monobloc tie road since 1999	1
7	<u>VT0007030</u>	Tie rod set beam - 260 to 307 mm	Monobloc tie road since 1999	1
7	<u>VT0007031</u>	Tie rod set beam - 308 to 310 mm	Monobloc tie road since 1999	1
8	<u>VT0007098</u>	Limit switch - 1 step		1
8	<u>VT0008775</u>	Limit switch - 2 steps		1
9	<u>VT0008776</u>	Travelling limit switch assembly - 1 step		1
9	<u>VT0008777</u>	Travelling limit switch assembly - 2 steps		1
10	<u>VT0009357</u>	Buffer	D40x20 – From trolley C1 to C5	1
11	<u>VT0007091</u>	Ball bearing		1

## 7.2. C1 trolley - 0 to 1000 kg - Coupled version

NHT



CD007325\_2

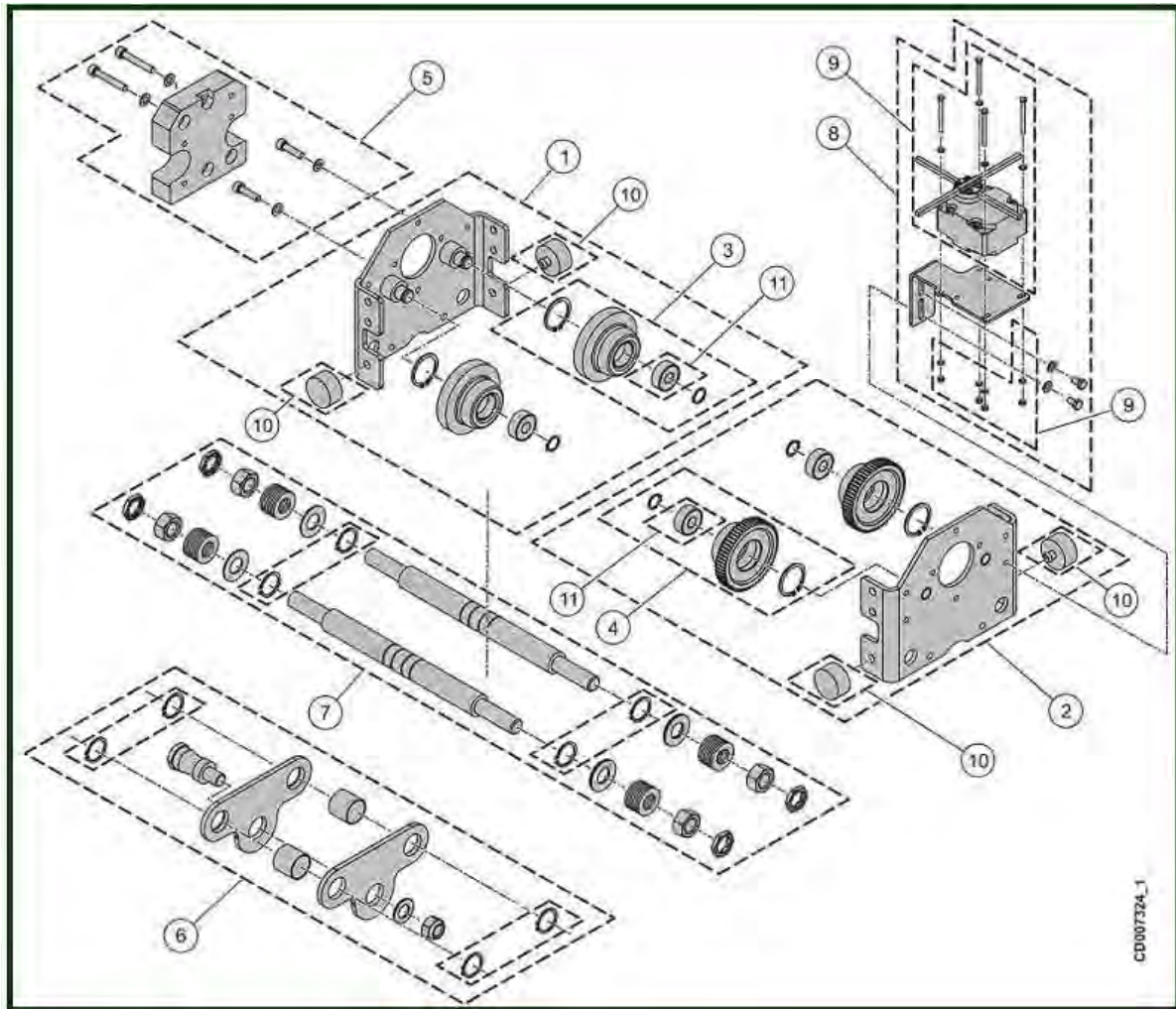
C1 trolley - 0 to 1000 kg - Coupled version

NHT

Item	Reference	Description	Observation	Quantity
1	<a href="#">VT0007051</a>	Idler side plate assembly		1
2	<a href="#">VT0007066</a>	Drive side plate assembly		1
3	<a href="#">VT0007061</a>	Complete set of travel wheel without shaft		1
4	<a href="#">VT0007063</a>	Complete set of driving wheel without shaft	Ø 62 - 93 mm	1
5	<a href="#">VT0007062</a>	Set of counterweight		1
6	<a href="#">VT0007065</a>	Coupling part	Coupled version	1
7	<a href="#">VT0007026</a>	Tie rod set beam - 55 to 100 mm	Monobloc tie road since 1999	1
7	<a href="#">VT0007027</a>	Tie rod set beam - 106 to 150 mm	Monobloc tie road since 1999	1
7	<a href="#">VT0007028</a>	Tie rod set beam - 155 to 200 mm	Monobloc tie road since 1999	1
7	<a href="#">VT0007029</a>	Tie rod set beam - 206 to 248 mm	Monobloc tie road since 1999	1
7	<a href="#">VT0007030</a>	Tie rod set beam - 260 à 307 mm	Monobloc tie road since 1999	1
7	<a href="#">VT0007031</a>	Tie rod set beam - 308 à 310 mm	Monobloc tie road since 1999	1
8	<a href="#">VT0007098</a>	Limit switch - 1 step		1
8	<a href="#">VT0008775</a>	Limit switch - 2 steps		1
9	<a href="#">VT0008776</a>	Travelling limit switch assembly - 1 step		1
9	<a href="#">VT0008777</a>	Travelling limit switch assembly - 2 steps		1
10	<a href="#">VT0009357</a>	Buffer	D40x20 – Trolley C1 à C5	1
11	<a href="#">VT0007091</a>	Ball bearing		1

### 7.3. C2 trolley - 1001 to 2000 kg - Hanging version

Only for voltage greater than 480V



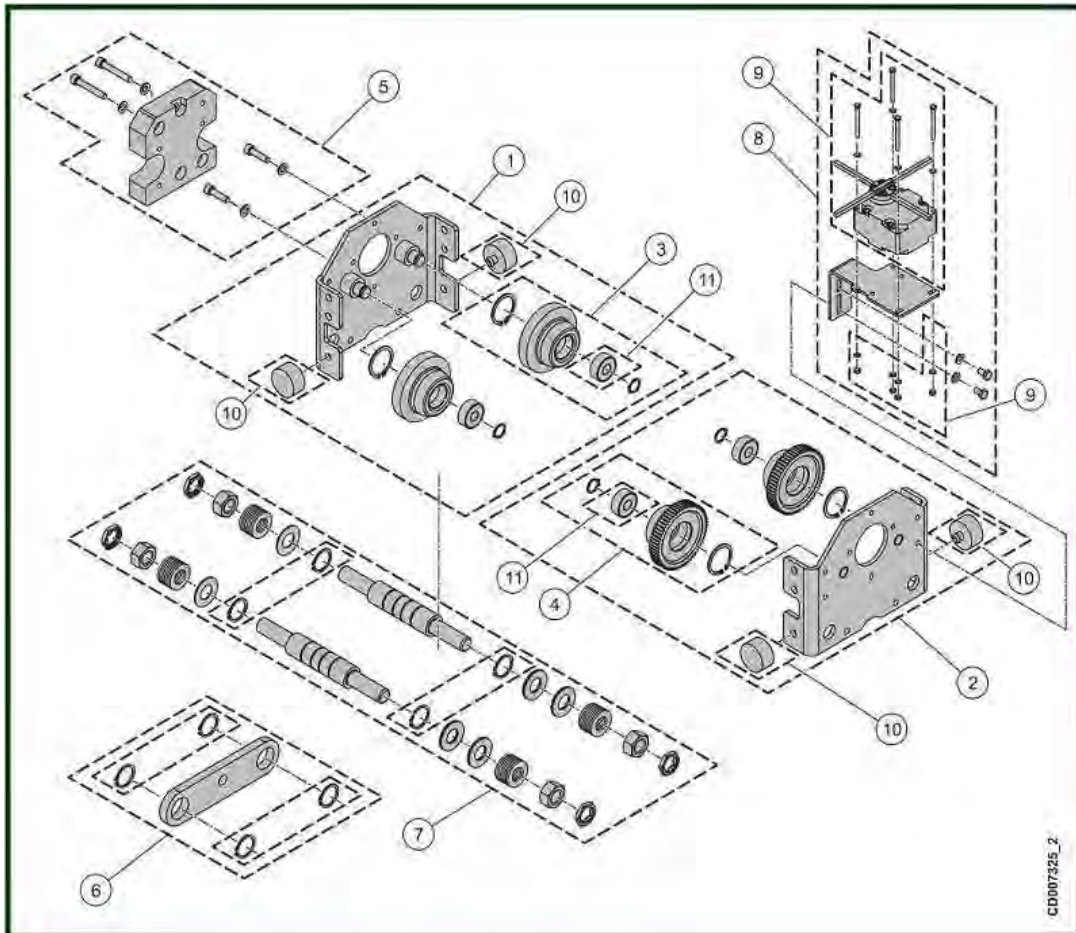
## C2 trolley - 1001 to 2000 kg - Hanging version

Only for voltage greater than 480V

Item	Reference	Description	Observation	Quantity
1	<a href="#">VT0007067</a>	Idler side plate assembly		1
2	<a href="#">VT0007068</a>	Drive side plate assembly		1
3	<a href="#">VT0007069</a>	Complete set of travel wheel without shaft	∅ 80x120 mm	1
4	<a href="#">VT0008778</a>	Complete set of driving wheel without shaft	∅ 80x120 mm	1
5	<a href="#">VT0008780</a>	Set of counterweight		1
6	<a href="#">VT0008779</a>	Coupling part	Hanging version	1
7	<a href="#">VT0007036</a>	Tie rod set beam - 64 to 126 mm	Monobloc tie road since 1999	1
7	<a href="#">VT0007037</a>	Tie rod set beam - 131 to 190 mm	Monobloc tie road since 1999	1
7	<a href="#">VT0007038</a>	Tie rod set beam - 198 to 248 mm	Monobloc tie road since 1999	1
7	<a href="#">VT0007039</a>	Tie rod set beam - 260 to 310 mm	Monobloc tie road since 1999	1
8	<a href="#">VT0007098</a>	Limit switch - 1 step		1
8	<a href="#">VT0008775</a>	Limit switch - 2 steps		1
9	<a href="#">VT0008776</a>	Travelling limit switch assembly - 1 step		1
9	<a href="#">VT0008777</a>	Travelling limit switch assembly - 2 steps		1
10	<a href="#">VT0007088</a>	Buffer	40X 20 M10	1
11	<a href="#">VT0008781</a>	Ball bearing	C2	1

#### 7.4. C2 trolley - 1001 à 2000 kg - Coupled version

Only for voltage greater than 480V



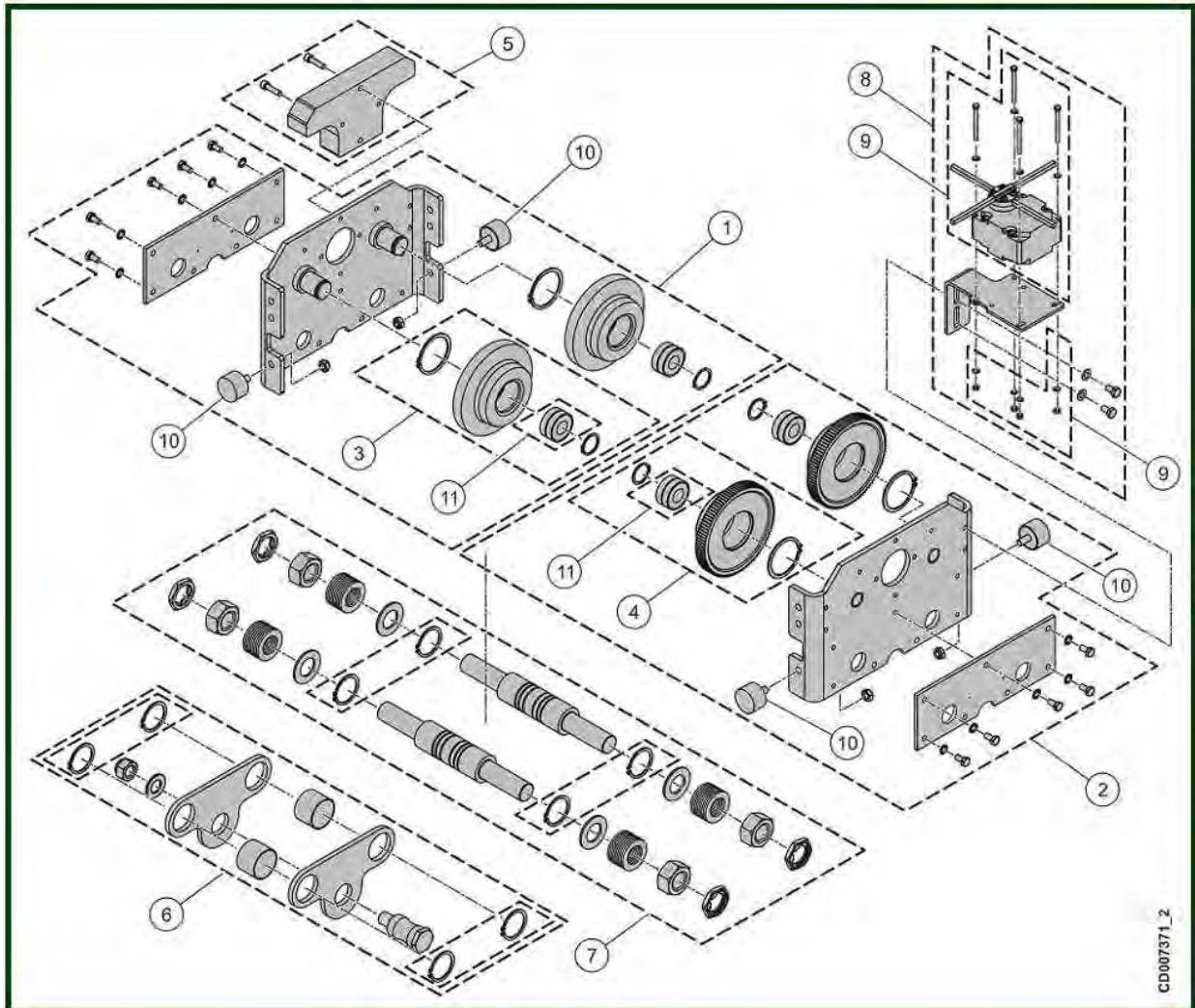
## C2 trolley - 1001 à 2000 kg - Coupled version

Only for voltage greater than 480V

Item	Reference	Description	Observation	Quantity
1	<u>VT0007067</u>	Idler side plate assembly		1
2	<u>VT0007068</u>	Drive side plate assembly		1
3	<u>VT0007069</u>	Complete set of travel wheel without shaft	∅ 80x120 mm	1
4	<u>VT0008778</u>	Set of driving wheel without shaft	∅ 80x120 mm	1
5	<u>VT0008780</u>	Set of counterweight		1
6	<u>VT0007085</u>	Coupling part	Coupled version	1
7	<u>VT0007036</u>	Tie rod set beam - 64 to 126 mm	Monobloc tie road since 1999	1
7	<u>VT0007037</u>	Tie rod set beam - 131 to 190 mm	Monobloc tie road since 1999	1
7	<u>VT0007038</u>	Tie rod set beam - 198 to 248 mm	Monobloc tie road since 1999	1
7	<u>VT0007039</u>	Tie rod set beam - 260 to 310 mm	Monobloc tie road since 1999	1
8	<u>VT0007098</u>	Limit switch - 1 step		1
8	<u>VT0008775</u>	Limit switch - 2 steps		1
9	<u>VT0008776</u>	Travelling limit switch assembly - 1 step		1
9	<u>VT0008777</u>	Travelling limit switch assembly - 2 steps		1
10	<u>VT0007088</u>	Buffer	40X 20 M10	1
11	<u>VT0008781</u>	Ball bearing	C2	1

## 7.5. C3 trolley - 2001 to 3200 kg - Hanging version

NHT



CD007371\_2



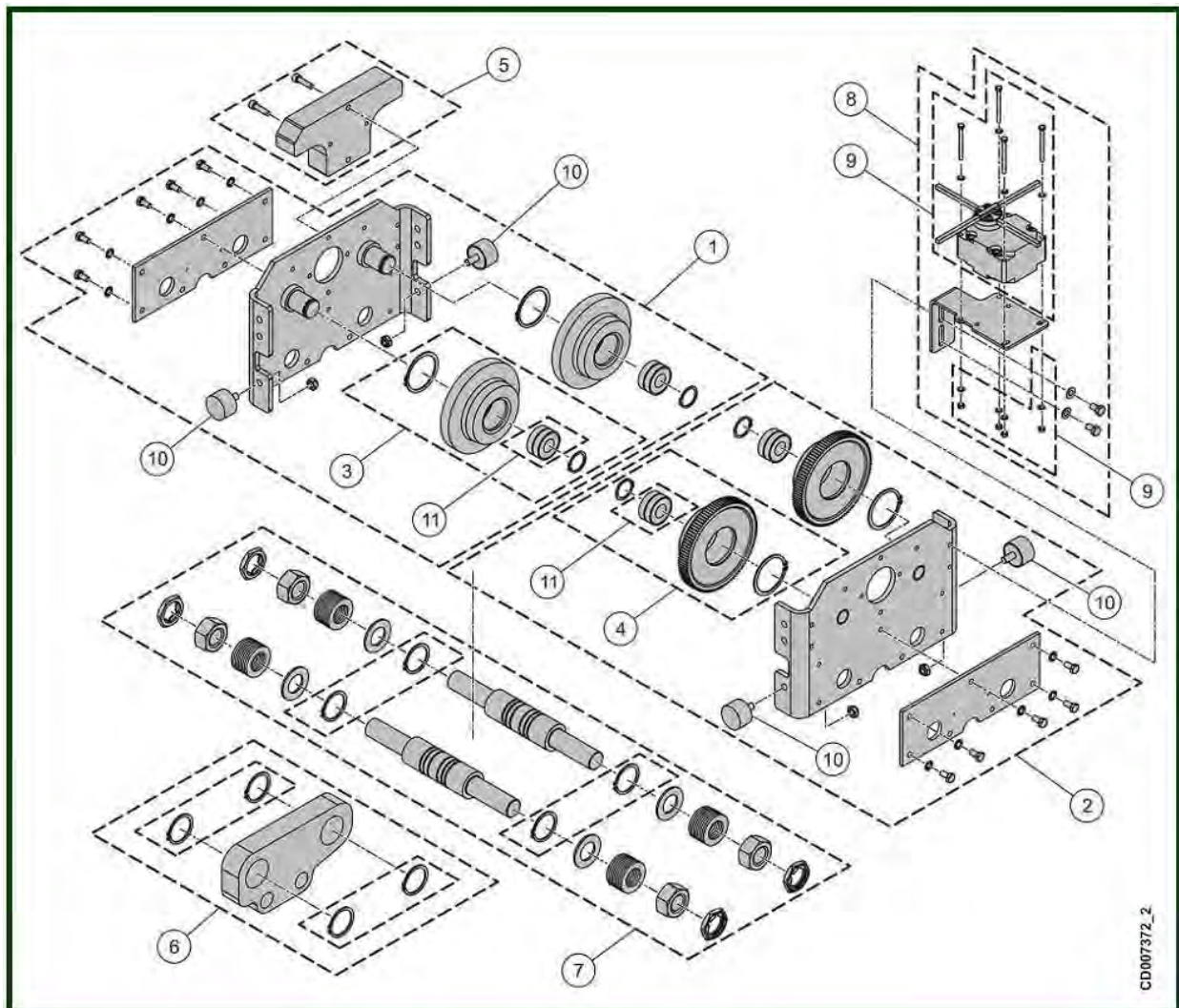
C3 trolley- 2001 à 3200 kg - Hanging version

NHT

Item	Reference	Description	Observation	Quantity
1	<u>VT0007092</u>	Idler side plate assembly		1
2	<u>VT0007093</u>	Drive side plate assembly		1
3	<u>VT0008782</u>	Complete set of travel wheel without shaft		1
4	<u>VT0008783</u>	Set of driving wheel without shaft		1
5	<u>VT0008837</u>	Set of counterweight		1
6	<u>VT0007094</u>	Joint part	Hanging version	1
7	<u>VT0007040</u>	Tie rod set beam - 82 to 137 mm	Monobloc tie road since 1999	1
7	<u>VT0007041</u>	Tie rod set beam - 140 to 190 mm	Monobloc tie road since 1999	1
7	<u>VT0007042</u>	Tie rod set beam - 198 to 248 mm	Monobloc tie road since 1999	1
7	<u>VT0007043</u>	Tie rod set beam - 260 to 310 mm	Monobloc tie road since 1999	1
7	<u>VT0008785</u>	Tie rod set beam - 311 to 350 mm	Monobloc tie road since 1999	1
8	<u>VT0007098</u>	Limit switch - 1 step		1
8	<u>VT0008775</u>	Limit switch - 2 steps		1
9	<u>VT0008776</u>	Travelling limit switch assembly - 1 step		1
9	<u>VT0008777</u>	Travelling limit switch assembly - 2 steps		1
10	<u>VT0007088</u>	Buffer	40X 20 M10	1
11	<u>VT0008786</u>	Ball bearing	C3	1

## 7.6. C3 trolley - 2001 to 3200 kg - Coupled version

NHT

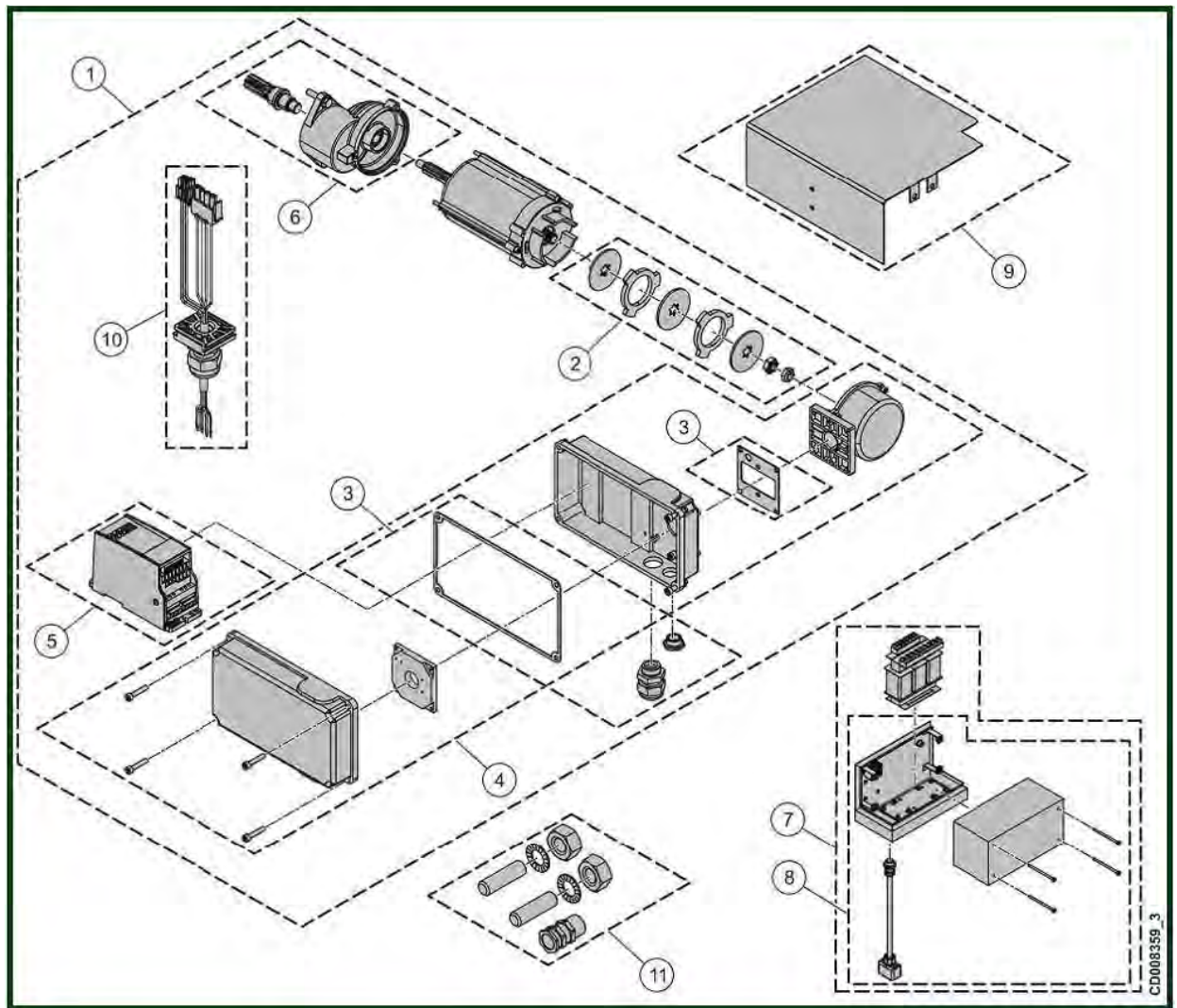


C3 trolley- 2001 to 3200 kg - Coupled version

NHT

Item	Reference	Description	Observation	Quantity
1	<a href="#">VT0007092</a>	Idler side plate assembly		1
2	<a href="#">VT0007093</a>	Drive side plate assembly		1
3	<a href="#">VT0008782</a>	Complete set of travel wheel without shaft		1
4	<a href="#">VT0008783</a>	Set of driving wheel without shaft		1
5	<a href="#">VT0008837</a>	Set of counterweight		1
6	<a href="#">VT0007714</a>	Joint part		1
7	<a href="#">VT0007040</a>	Tie rod set beam - 82 à 137 mm	Monobloc tie road since 1999	1
7	<a href="#">VT0007041</a>	Tie rod set beam - 140 à 190 mm	Monobloc tie road since 1999	1
7	<a href="#">VT0007042</a>	Tie rod set beam - 198 à 248 mm	Monobloc tie road since 1999	1
7	<a href="#">VT0007043</a>	Tie rod set beam - 260 à 310 mm	Monobloc tie road since 1999	1
7	<a href="#">VT0008785</a>	Tie rod set beam - 311 à 350 mm	Monobloc tie road since 1999	1
8	<a href="#">VT0007098</a>	Limit switch - 1 step		1
8	<a href="#">VT0008775</a>	Limit switch - 2 steps		1
9	<a href="#">VT0008776</a>	Travelling limit switch assembly - 1 step		1
9	<a href="#">VT0008777</a>	Travelling limit switch assembly - 2 steps		1
10	<a href="#">VT0007088</a>	Buffer	40X 20 M10	1
11	<a href="#">VT0008786</a>	Ball bearing		1

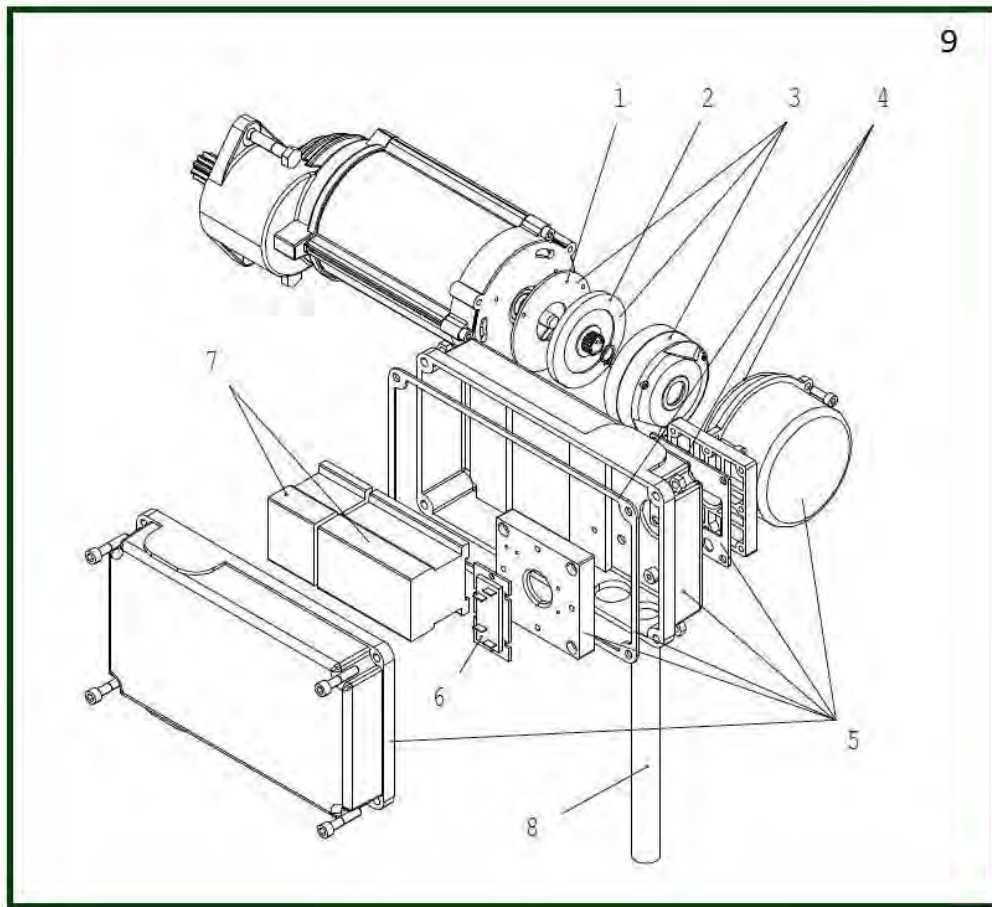
## 7.7. Inverter TMU motor



## Inverter TMU motor

Item	Reference	Description	Observation	Quantity
1	<u>52890308</u>	Travelling machinery - TMU1	42-230V < 1000 Kg	1
1	<u>52890306</u>	Travelling machinery - TMU2	42-230V > 1000 Kg to 2000 kg	1
2	<u>52296293</u>	Brake repair set	M06-001V	1
3	<u>52300292</u>	Sealing set	M06-008V	1
4	<u>52907130</u>	Housing set (without vario)	M06-022V	1
5	<u>52387783</u>	Inverter VT003 TMK003.380 460V/ ctrl 42 230V	Since january 2015 for motor already equipped of this inverter	1
6	<u>52297191</u>	Reducer	GEL105PT1B0	1
7	<u>52303806</u>	Control panel	T50E-TE07	1
8	<u>53050878</u>	Housing set	UKTM/ALTM-NEW	1
9	<u>52305058</u>	Rain cover	All models from C1 to C5	1
10	<u>53110165</u>	Connection cable	TMU1&2	1
11	<u>52908158</u>	Kit fixation		1

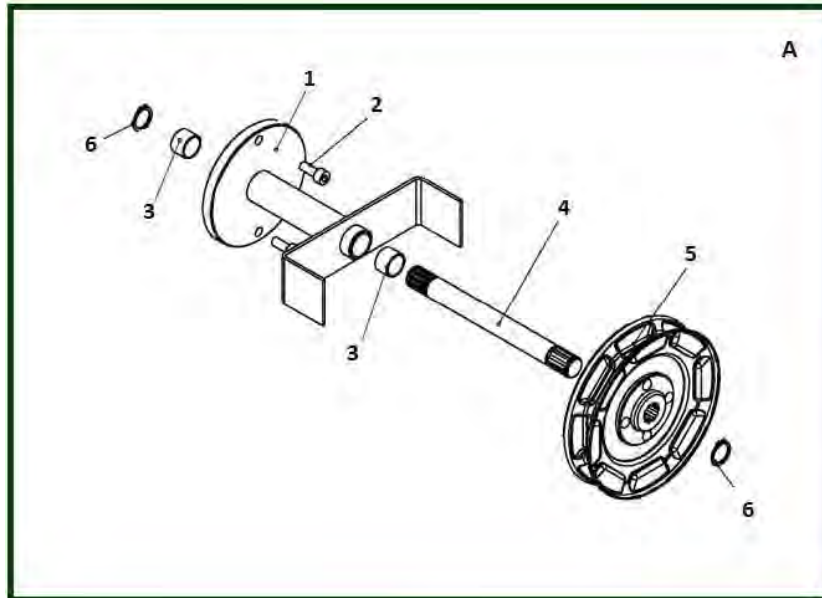
## 7.8. Two speeds TMU motor



## Two speeds TMU motor

Item	Reference	Description	Observation	Quantity
1	<a href="#">52269590</a>	Friction plate		1
2	<a href="#">52269587</a>	Brake disc		1
3	<a href="#">52318378</a>	Brake disc 180V	MF06MA104	1
3	<a href="#">52318416</a>	Brake disc 240V	MF06MA104	1
3	<a href="#">52318424</a>	Brake disc 290V	MF06MA104	1
4	<a href="#">52300292</a>	Sealing set	M06-008V	1
5	<a href="#">52300291</a>	Terminal box	M06-007V	1
6	<a href="#">15823007</a>	Rectifier	Motor 220V	1
6	<a href="#">15823006</a>	Rectifier	Motor 380 à 550V	1
7	<a href="#">1123052</a>	Reversing contactor	110V	1
7	<a href="#">1113097</a>	Reversing contactor	230V	1
7	<a href="#">1113023</a>	Reversing contactor 400V/48V	LC2ECO9E (7531023V) Hoisting cross travelling	1
7	<a href="#">1113098</a>	Main contactor KAU	230 V 50/60 Hz	1
7	<a href="#">1113021</a>	Reversing contactor	48V	1
7	<a href="#">1123050</a>	Reversing contactor	110V	1
8	<a href="#">53243829</a>	Connection cable	TMU 1&2	1
9	<a href="#">52782175</a>	Two speeds TMU motor	230V/48V 50 Hz	1
9	<a href="#">52782173</a>	Two speeds TMU motor	230V/115V 60 Hz - Standard	1
9	<a href="#">52782176</a>	Two speeds TMU motor	400V/48V 50 Hz	1
9	<a href="#">52782171</a>	Two speeds TMU motor	460V/115V 60 Hz - Standard	1
9	<a href="#">52782177</a>	Two speeds TMU motor	500V/48V 50 Hz	1
9	<a href="#">52782172</a>	Two speeds TMU motor	575V/115V 60 Hz - Standard	1
-	<a href="#">52305058</a>	Rain cover	All models C1 to C5	1

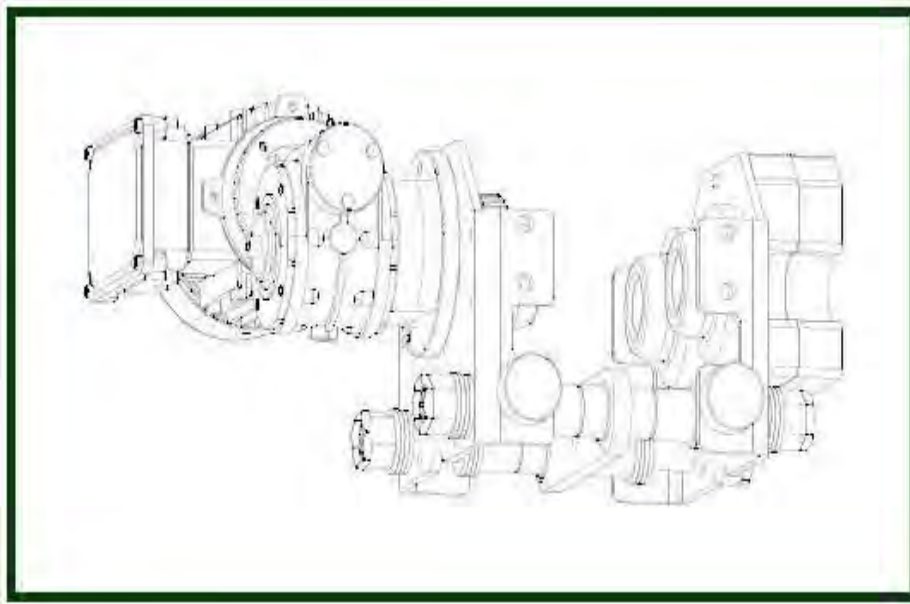
## 7.9. Chain travel



Item	Reference	Description	Observations	Quantity
1	<a href="#">52306328</a>	Support		1
2	<a href="#">830905</a>	CHC Screw 8X20	DIN7500-E	1
3	<a href="#">993275</a>	Bearing		1
4	<a href="#">52306329</a>	CHM shaft		1
5	<a href="#">400953</a>	Travelling hand wheel - Ø 165 mm	3,2T	1
6	<a href="#">400052</a>	Circlips 20r		1
	<a href="#">53020194</a>	Hand chain 5x27.1	9,8 meters	1
	<a href="#">820003</a>	Galvanized hand chain 5x27.1		1
A	<a href="#">52306332</a>	Chain operated manual travelling	For C1 to C5	1



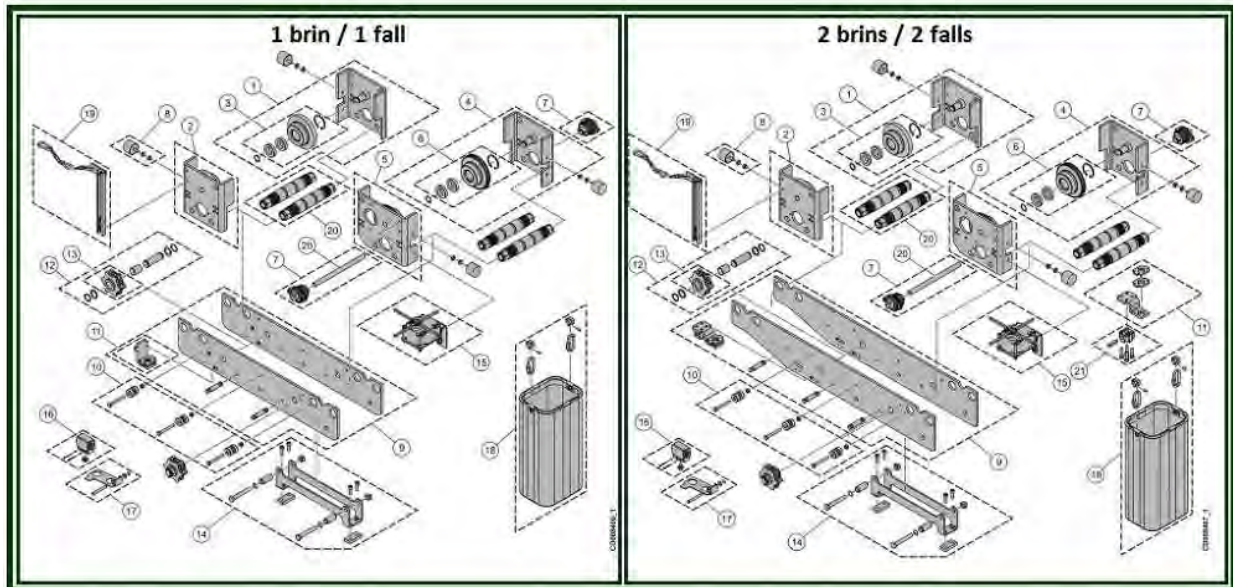
## 7.10. Right motor angle



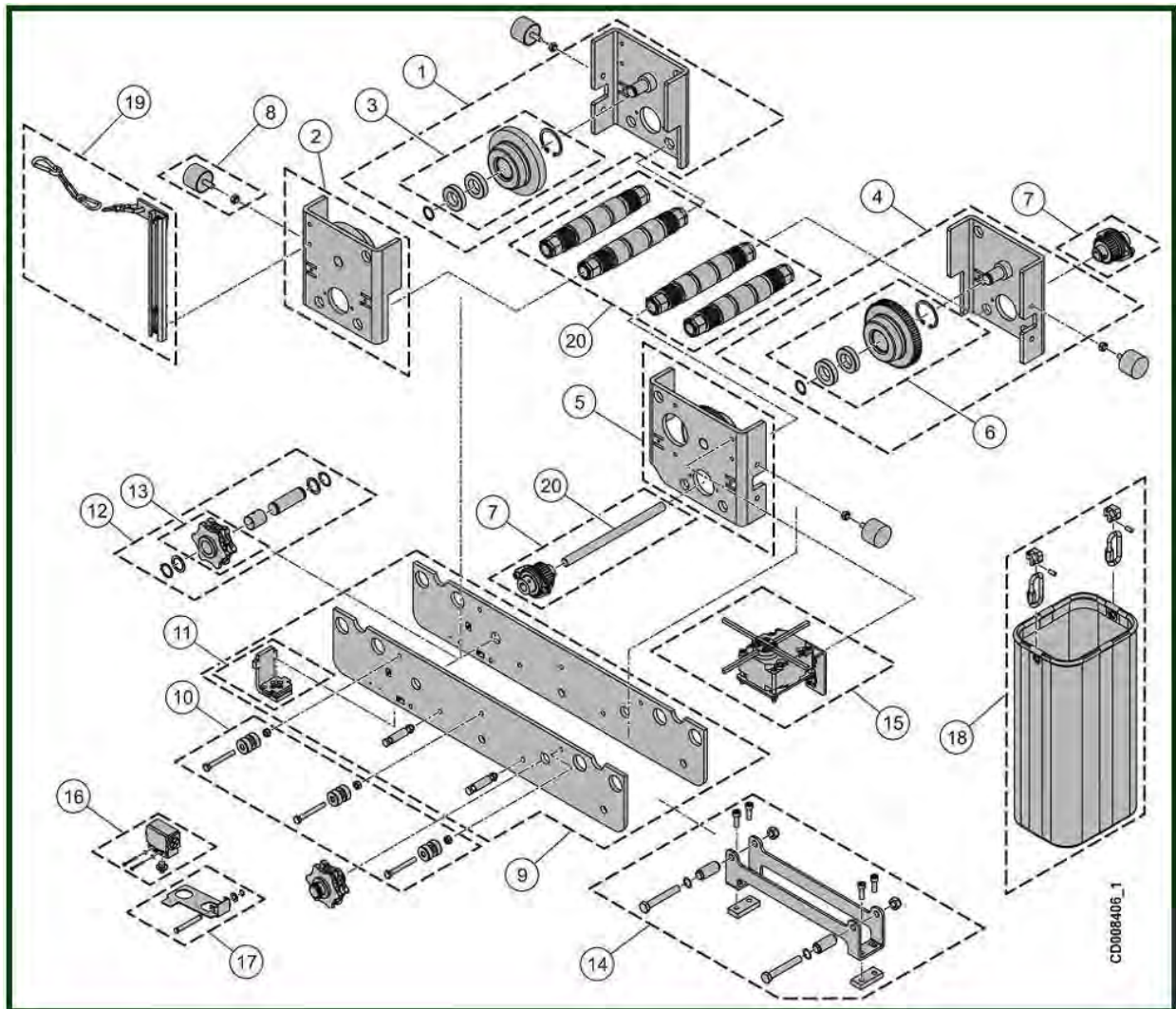
Item	Reference	Description	Observation	Quantity
	<u>551037</u>	Cubicle + Mac 2 pcb		1
	<u>2216904</u>	GMR adaptation set for right angle motor	Pinion, flange, screws	1
	<u>556972</u>	Right angle travelling machinery	Speed 10 & 2.5m/min For C1-C2-C3	1
	<u>2133033</u>	Electrical board direction	2CS MAC	1

## 8. LOW HEADROOM TROLLEY

### LHT



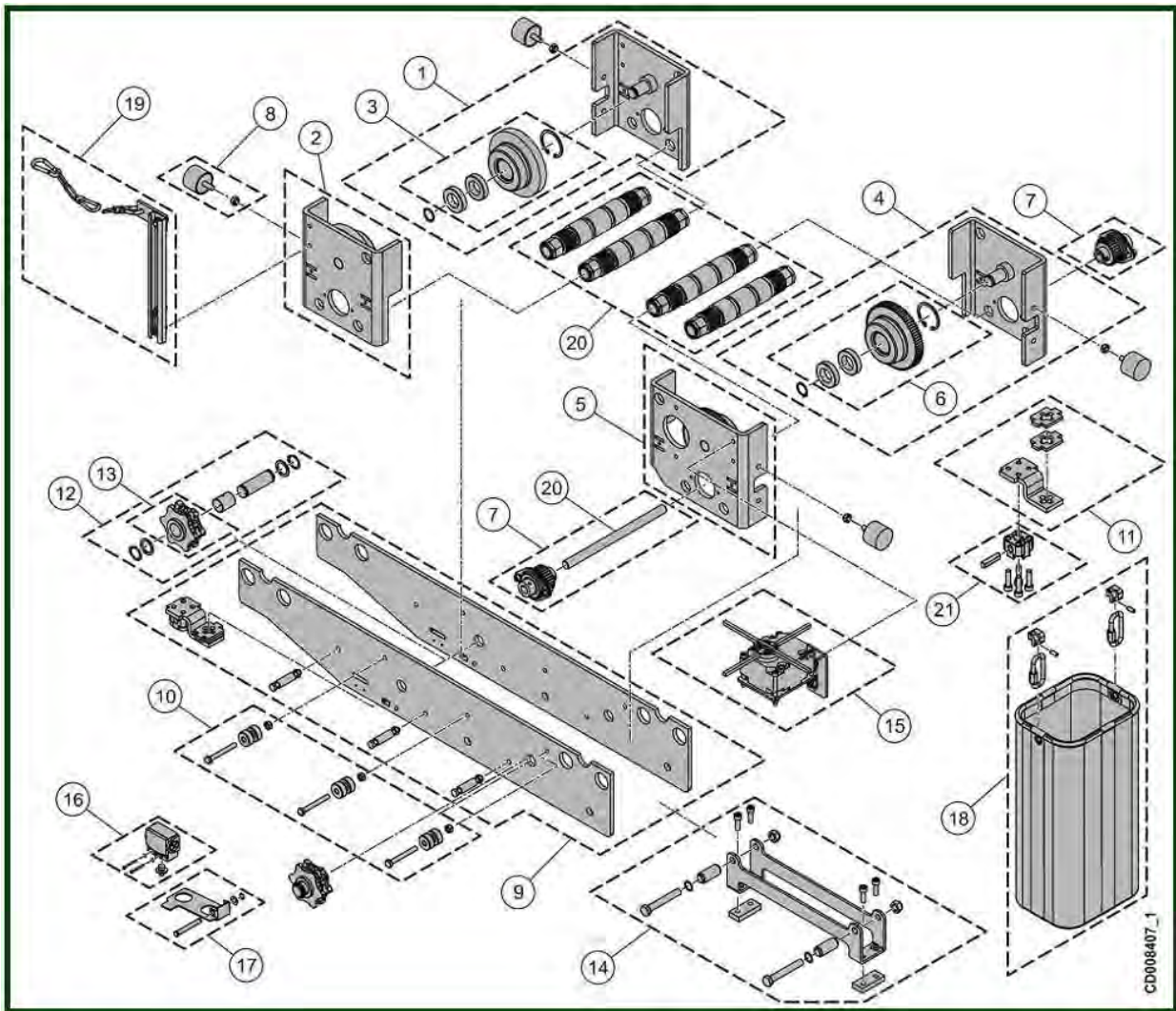
## 8.1. LHT - 1 fall



LHT - 1 fall

Item	Reference	Description	Observation	Quantity
1	<u>VT0008742</u>	Idle flange		1
2	<u>VT0008743</u>	Idle flange	Motor side	1
3	<u>VT0008961</u>	Travel wheel idle without shaft		2
4	<u>VT0008745</u>	Motor flange	Motor side	1
5	<u>VT0008746</u>	Motor flange	Motor side	1
6	<u>VT0008963</u>	Travel wheel without shaft		2
7	<u>VT0008748</u>	Gear wheel set - 66 to 112	L232	1
7	<u>VT0008947</u>	Gear wheel set - 113 to 154	L274	1
7	<u>VT0008948</u>	Gear wheel set - 155 to 199	L315	1
7	<u>VT0008949</u>	Gear wheel set - 200 to 259	L362	1
7	<u>VT0008950</u>	Gear wheel set - 260 to 300	L422	1
8	<u>VT0008749</u>	Buffer	D40 L50	1
9	<u>VT0008896</u>	Plate set	LHT - 1 fall	1
10	<u>VT0008897</u>	Diabolo set	LHT - 1 fall	1
11	<u>VT0008968</u>	Chain guide set	7x20 - 1 fall	1
12	<u>VT0008970</u>	Chain guide	7x20 - D84.7 L69	2
13	<u>VT0008825</u>	Sprocket	D84.7 L36,5	1
14	<u>VT0009871</u>	Suspension	LHT	1
15	<u>VT0008756</u>	Limit switch	1 step	1
16	<u>VT0008892</u>	Limit switch assembly	LHT	1
17	<u>VT0009074</u>	Limit switch activator		1
18	<u>VT0008760</u>	Chain bucket	30 m for 7x20	1
19	<u>VT0008761</u>	Towing arm	L250	1
19	<u>VT0008762</u>	Towing arm	L450	1
20	<u>VT0008956</u>	Shaft set - 66 to 112	L232	1
20	<u>VT0008957</u>	Shaft set - 113 to 154	L274	1
20	<u>VT0008958</u>	Shaft set - 155 to 199	L315	1
20	<u>VT0008959</u>	Shaft set - 200 to 259	L362	1
20	<u>VT0008960</u>	Shaft set - 260 to 300	L422	1

## 8.2. LHT - 2 falls



## LHT - 2 falls

Item	Reference	Description	Observation	Quantity
1	<u>VT0008742</u>	Idle flange		1
2	<u>VT0008743</u>	Idle flange	Motor side	1
3	<u>VT0008961</u>	Travel wheel idle without shaft		2
4	<u>VT0008745</u>	Motor flange	Motor side	1
5	<u>VT0008746</u>	Motor flange	Motor side	1
6	<u>VT0008963</u>	Travel wheel without shaft		2
7	<u>VT0008748</u>	Gear wheel set - 66 to 112	L232	1
7	<u>VT0008947</u>	Gear wheel set - 113 to 154	L274	1
7	<u>VT0008948</u>	Gear wheel set - 155 to 199	L315	1
7	<u>VT0008949</u>	Gear wheel set - 200 to 259	L362	1
7	<u>VT0008950</u>	Gear wheel set - 260 to 300	L422	1
8	<u>VT0008749</u>	Buffer	D40 L50	1
9	<u>VT0008967</u>	Plate set		1
10	<u>VT0008898</u>	Diabolo set		1
11	<u>VT0008969</u>	Chain guide set		1
12	<u>VT0008970</u>	Chain guide	7x20 - D84.7 L69	2
13	<u>VT0008825</u>	Sprocket	D84.7 L36,5	1
14	<u>VT0009871</u>	Suspension		1
15	<u>VT0008756</u>	Limit switch	1 step	1
16	<u>VT0008892</u>	Limit switch assembly		1
17	<u>VT0009074</u>	Limit switch activator		1
18	<u>VT0008760</u>	Chain bucket	30 m for 7x20	1
19	<u>VT0008761</u>	Towing arm	L250	1
19	<u>VT0008762</u>	Towing arm	L450	1
20	<u>VT0008956</u>	Shaft set - 66 to 112	L232	1
20	<u>VT0008957</u>	Shaft set - 113 to 154	L274	1
20	<u>VT0008958</u>	Shaft set - 155 to 199	L315	1
20	<u>VT0008959</u>	Shaft set - 200 to 259	L362	1
20	<u>VT0008960</u>	Shaft set - 260 to 300	L422	1
21	<u>VT0005885</u>	Fixing set	7x20	1