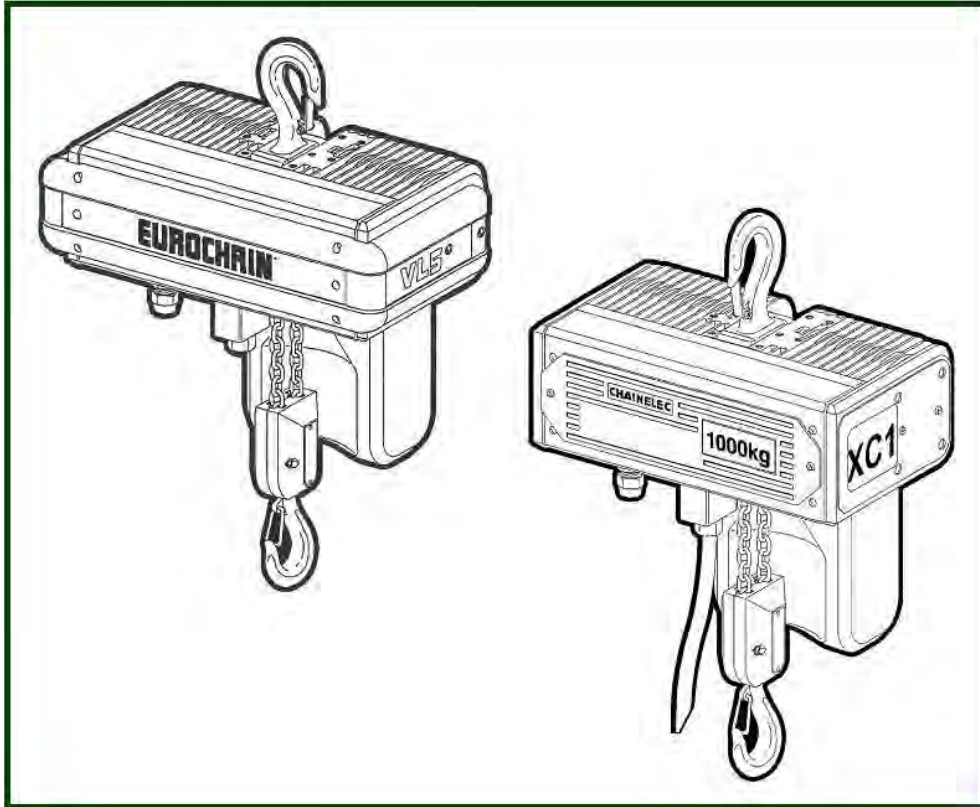


Spare parts catalog for "VL02-VL05-XC1"

To avoid errors, when ordering please specify:

- Complete type of hoist
- Date of manufacture and serial number
- Spare part code
- Spare part designation
- Additional information



0) COMMENTS

1) HOIST MOTOR AND CASING - VERSION 1

2) HOIST MOTOR AND CASING - VERSION 2

3) MECHANISM / BRAKE - VERSION 1

4) MECHANISM / BRAKE - VERSION 2

5) LIFTING ASSEMBLY

5.1) Version 1

5.2) Version 2

5.3) Pre cut chain

6) ELECTRIC BOX

7) UPPER AND LOWER LIMIT SWITCH - OPTION

8) CAM OPERATED LIMIT SWITCH - OPTION

9) SPECIFICS PARTS - DOUBLE BRAKES

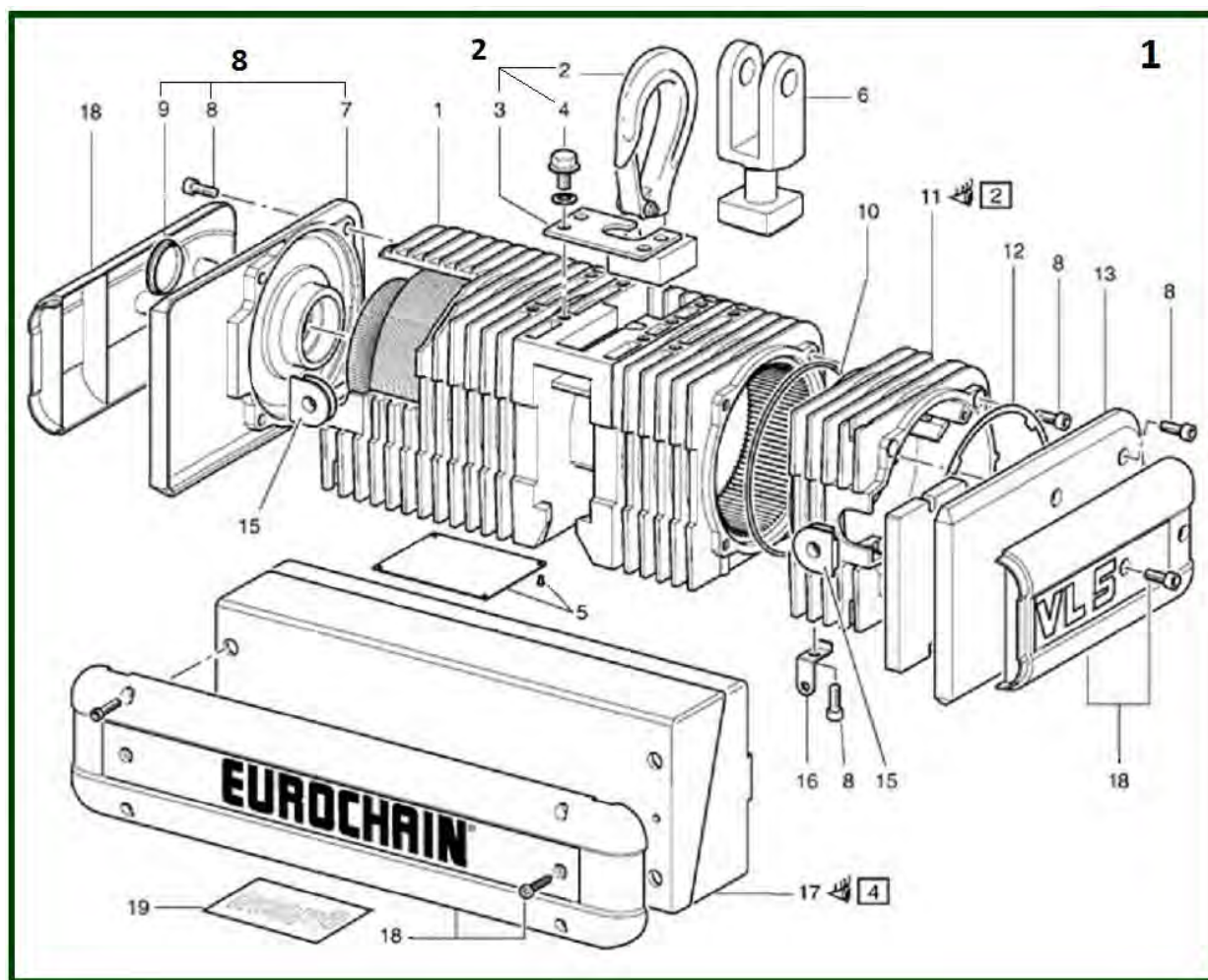
0) Comments

Pour les numéros de série commençant par 98 : nous consulter / for serial numbers beginning with 98 : please consult us

CAPACITE DE CHARGE	TYPE DE PALAN	OBSERVATIONS(voir repères)	NOMBRE DE BRINS	TYPE DE CHAINE
LOAD CAPACITY	TYPE OF HOIST	OBSERVATIONS(SEE MARKS)	NUMBER OF FALLS	TYPE OF CHAIN
125 Kg	VL2 124 m2		1	4,8*12,5
	VL2 128 m2			
	VL2 128 b2			
	VL2 1216 b2			
250 Kg	VL2 254 m1		2	
	VL2 258 m1			
	VL2 258 b1			
	VL5 2516 b1			
	VL5 254 b2		1	
	VL5 254 m2			
	VL5 258 m2			
	VL5 258 b2			
500 Kg	VL2 504 m1		2	
	VL5 504 m1		1	
	VL2 504 b1		2	
	VL5 508 m1		1	
	VL5 508 b1			
	VL5 504 m2		2	
	VL5 504 b2			
1000 Kg	VL5 1004 m1		2	
	VL5 1004 b1			

1) Hoist motor and casing - Version 1

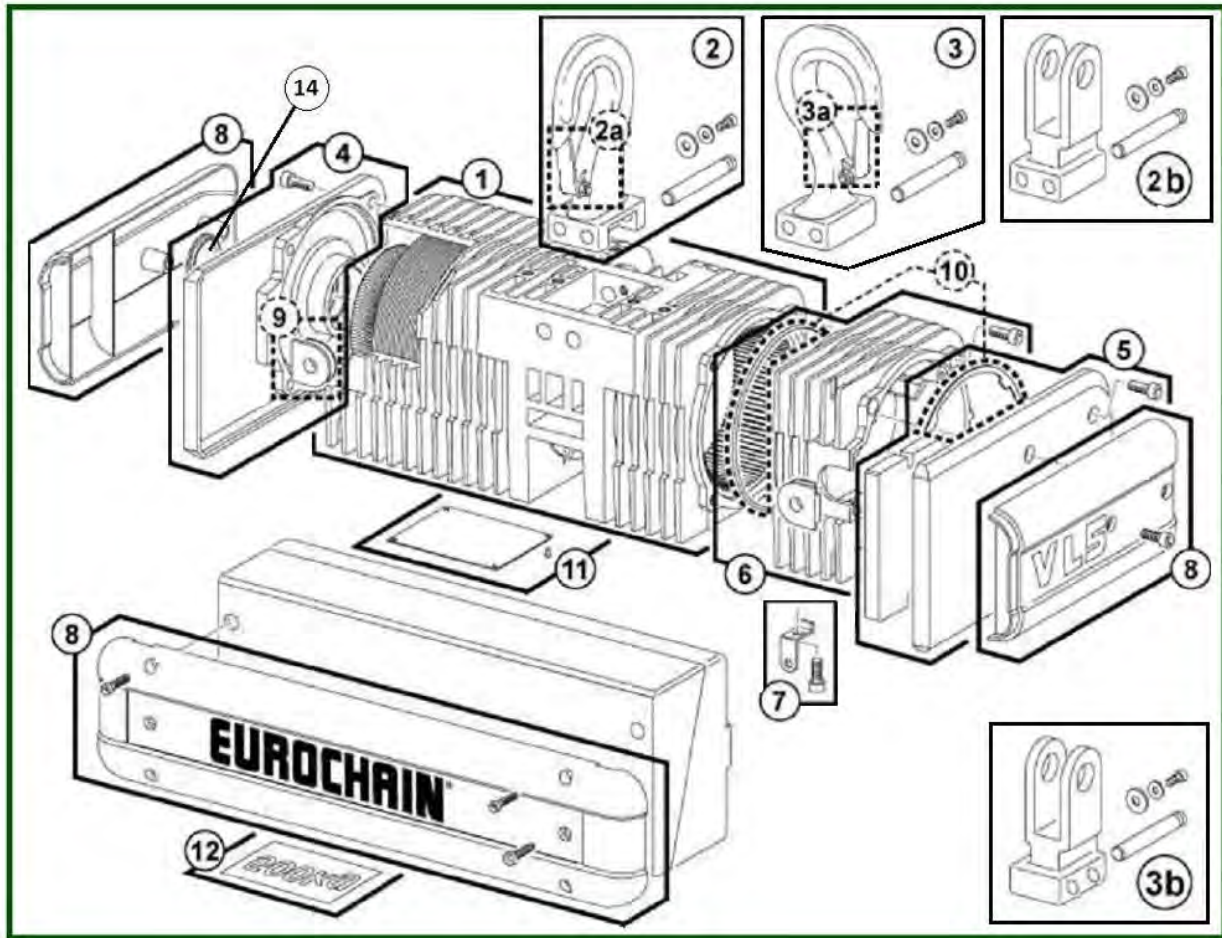
Les numéros de série commençant par 96/97 : version 1 / serial number beginning with 96 or 97 : version 1



item	reference	description	observation	Quantity
1	<u>NCCASC</u>	Casing assembled with stator and gear rim		1
2	<u>2219900</u>	Hook suspension set	2+3+4	1
5	<u>2216520</u>	Motor data plate	N° de série obligatoire / Only if serial number provided	1
6	<u>2229917</u>	Trolley coupling set	6+3+4	1
8	<u>2219961</u>	Motor end cap assembly	Vis M6 + Opercule de fermeture / M6 screw + Cap	1
10	<u>8380202</u>	O ring		1
11	<u>2210011</u>	Brake endcap	Plus fourni / Not supplied anymore	0
12	<u>2218002</u>	Sealing ring set	Plus fourni / Not supplied anymore	0
13	<u>2219962</u>	Brake end cap assembly		1
15	<u>2218004</u>	Grommet		2
16	<u>2218000</u>	Push button station fixing point		1
17	<u>2219993</u>	Electric cubicle (lid, cover, ground terminal and screws) -	ABS	1
17	<u>2219934</u>	Electric cubicle (lid, cover, ground terminal and screws) -	Noryl (CSA)	1
18	<u>2216051</u>	Marking & covers set	VL5	1
18	<u>2216061</u>	Stickers and covers	VL2	1
19	<u>2219920</u>	Set of 10 load plates	500 Kg	1
19	<u>2219921</u>	Set of 10 load plates	630 Kg	1
19	<u>2219922</u>	Set of 10 load plates	1000 Kg	1
19	<u>2219938</u>	Set of 10 load plates	125 kg	1
19	<u>2219917</u>	Set of 10 load plates	160 kg	1
19	<u>2219918</u>	Set of 10 load plates	250 kg	1
19	<u>2219919</u>	Set of 10 load plates	320 kg	1
-	<u>NCS</u>	Stator - 1 speed - 4 poles		1

2) Hoist motor and casing - Version 2

Les palans entre 1999 et 2003 : version 2 / Hoists between 1999 and 2003 : version 2

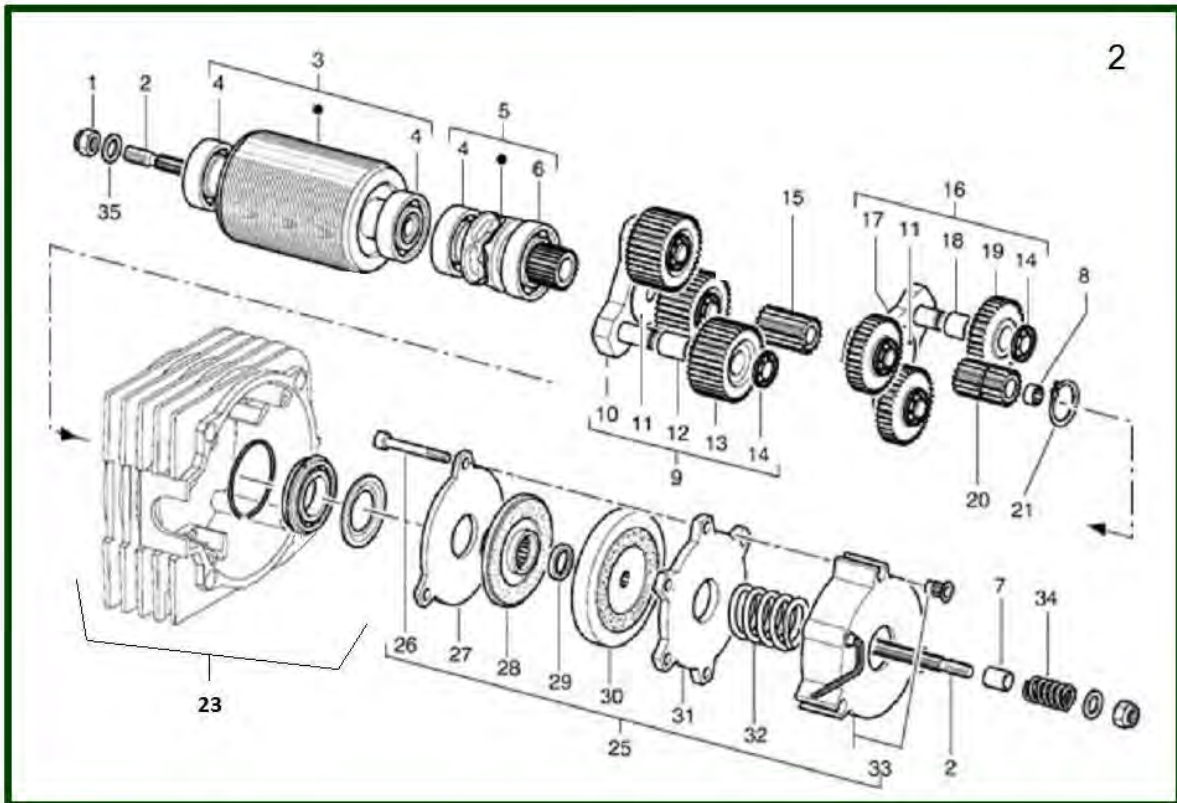


item	reference	description	observation	Quantity
1	2219965	Housing assembled with gear rim and stator 230V 50Hz	Bi-vitesse ou Utilisée en mono-vitesse - 8m/mn : 1 brin ou 4m/mn : 2 brins 2 speeds or used for single speed 8m/mn : 1 fall or 4m/mn : 2 falls	1
1	2219967	Housing assembled with gear rim and stator 230V 60Hz	Bi-vitesse ou utilisée en mono-vitesse - 8m/mn : 1 brin ou 4m/mn : 2 brins 2 speeds or used for single speed - 8m/mn : 1 fall or 4m/mn : 2 falls	1
1	2219969	Housing assembled with gear rim and stator 400V 50Hz - 460V 60Hz	1 speed / Vitesse - 4 P	1
1	2219964	Housing assembled with gear rim and stator 400V 50Hz - 460V 60Hz	Bi-vitesse ou utilisée en mono-vitesse - 8m/mn : 1 brin ou 4m/mn : 2 brins 2 speeds or used for single speed - 8m/mn 1 fall or 4m/mn : 2 falls	1
1	2209964	Housing assembled with gear rim and stator 400V 50Hz-460V 60Hz with loadwheel	Bi-vitesse ou utilisée en mono-vitesse - 8m/mn : 1 brin ou 4m/mn : 2 brins 2 speeds or used for single speed - 8m/mn 1 fall or 4m/mn : 2 falls	1
1	2219966	Housing assembled with gear rim and stator 400V 60Hz	Bi-vitesse ou utilisée en mono-vitesse - 8m/mn : 1 brin ou 4m/mn : 2 brins 2 speeds or used for single speed - 8m/mn 1 fall or 4m/mn : 2 falls	1
1	2219974	Housing assembled with gear rim and stator 500V 50Hz-575V 60Hz	1 speed / Vitesse - 4 P	1
1	2219968	Housing assembled with gear rim and stator 500V 50Hz-575V 60Hz	Bi-vitesse ou utilisée en mono-vitesse - 8m/mn : 1 brin ou 4m/mn : 2 brins 2 speeds or used for single speed - 8m/mn 1 fall or 4m/mn : 2 falls	1
1	2219970	Housing assembled with stator and gear 230V 50Hz	1 speed / Vitesse - 4 P	1
2	2219955	Upper hook set + shaft and screws	Suspension perpendiculaire Perpendicular mounting	1
2a & 3a	2212017	Safety latch - Steel plate type	1 & 2 brins - Depuis 2000 - 025T 1 & 2 falls - Since 2000 - 025T	1
2b	2229921	Crosshead set + shaft and screws	Suspension parallèle : CHR - Suspension perpendiculaire : CHM Parallel suspension : CHR - Perpendicular mounting : CHM	1
3	2219954	Upper hook set + shaft and screws	Suspension parallèle Parallel suspension	1

3b	<u>2229920</u>	Crosshead set + shaft and screws	Suspension parallèle : CHM - Suspension perpendiculaire : CHR Parallel suspension : CHM - Perpendicular mounting : CHR	1
4	<u>2219961</u>	Motor end cap assembly	Vis M6 + Opercule de fermeture / M6 screw + Cap	1
5	<u>2219962</u>	Brake end cap assembly		1
6	<u>2210007</u>	Brake cap assembly		1
7	<u>2218000</u>	Push button station fixing point		1
8	<u>2216051</u>	Marking & covers set	VL5	1
8	<u>2216053</u>	Marking & covers set	XC1	1
8	<u>2216061</u>	Stickers and covers	VL2	1
8	<u>52328143</u>	Stickers and covers	XC1 RNUR	1
9	<u>2218004</u>	Grommet		1
10	<u>2218006</u>	Sealing ring and O-ring for brake cap		1
11	<u>2216520</u>	Motor data plate	N° de série obligatoire / Only if serial number provided	1
12	<u>2219920</u>	Set of 10 load plates	500 Kg	1
12	<u>2219921</u>	Set of 10 load plates	630 Kg	1
12	<u>2219922</u>	Set of 10 load plates	1000 Kg	1
12	<u>2219938</u>	Set of 10 load plates	125 kg	1
12	<u>2219917</u>	Set of 10 load plates	160 kg	1
12	<u>2219918</u>	Set of 10 load plates	250 kg	1
12	<u>2219919</u>	Set of 10 load plates	320 kg	1
13	<u>2219550</u>	Rain cover		1
14	<u>52308744</u>	Cap - Brake side		1
-	<u>52296262</u>	Stator - 2 speeds	P7/380V-415V 50H 18/3K	1
-	<u>NCMMV</u>	Stators - 1 speed	4P	1

3) Mechanism / Brake - Version 1

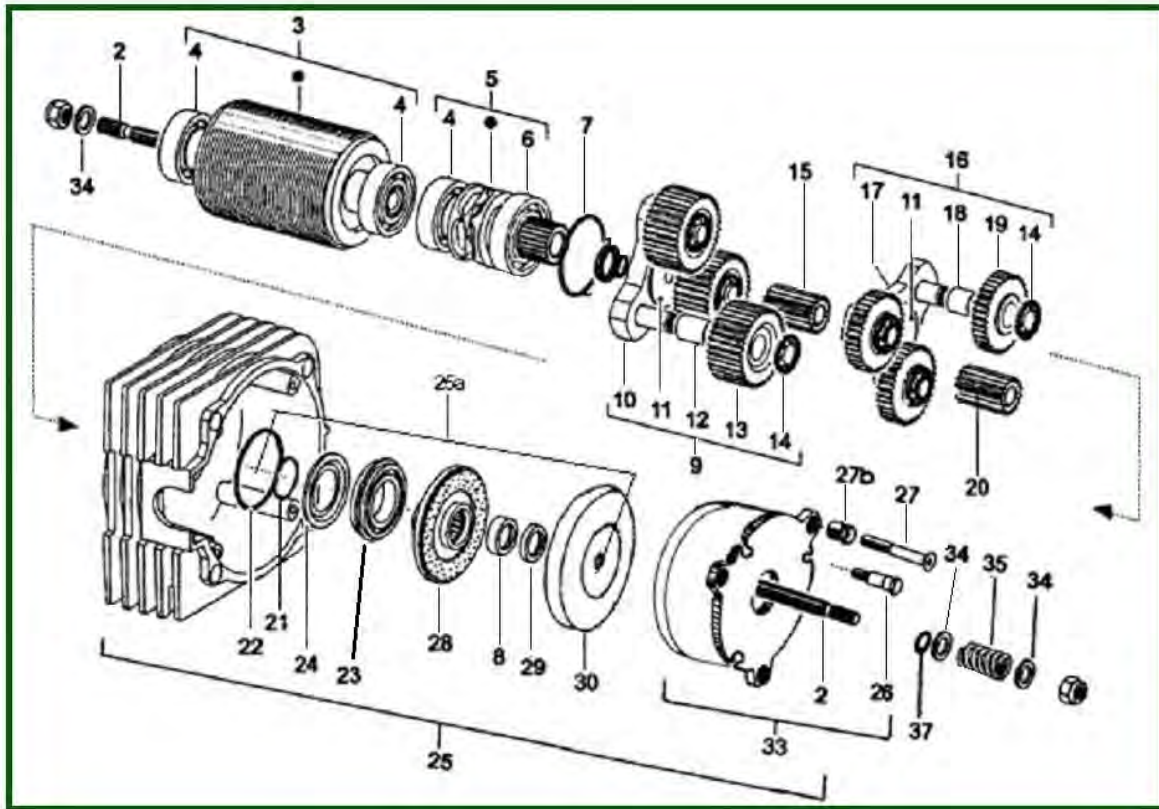
Les numéros de série commençant par 96/97 : version 1 / serial number beginning with 96 or 97 : version 1



item	reference	description	observation	Quantity
2	2211500	Gear input shaft		1
3	2215000	Rotor assembly	. +4+4 - Bi vitesses / 2 speeds	1
3	2215001	Rotor assembly	. +4+4 - Mono vitesse / 1 speed	1
5	2214001	Chain sprocket assembled	. +4+6	1
9	2210520	Planet gear assembly - 2nd step	10+11+12+13+14 - 16 m/min	1
9	2210500	Planet gear assembly - 2nd step	10+11+12+13+14 8 m/min	1
15-20	2210503	Pinion	Item 15 : 2è étage / 2nd step	1
23	2219982	Metal sealing ring set		1
25	2211012	Brake limiter, assembly - 100V	De 220 V à 230 V	1
25	2211000	Brake limiter, assembly - 190V	De 380 V à 460 V	1
25	2211013	Brake limiter, assembly - 240V	De 500 V à 575 V	1
34	2211016	Clutch spring set		1

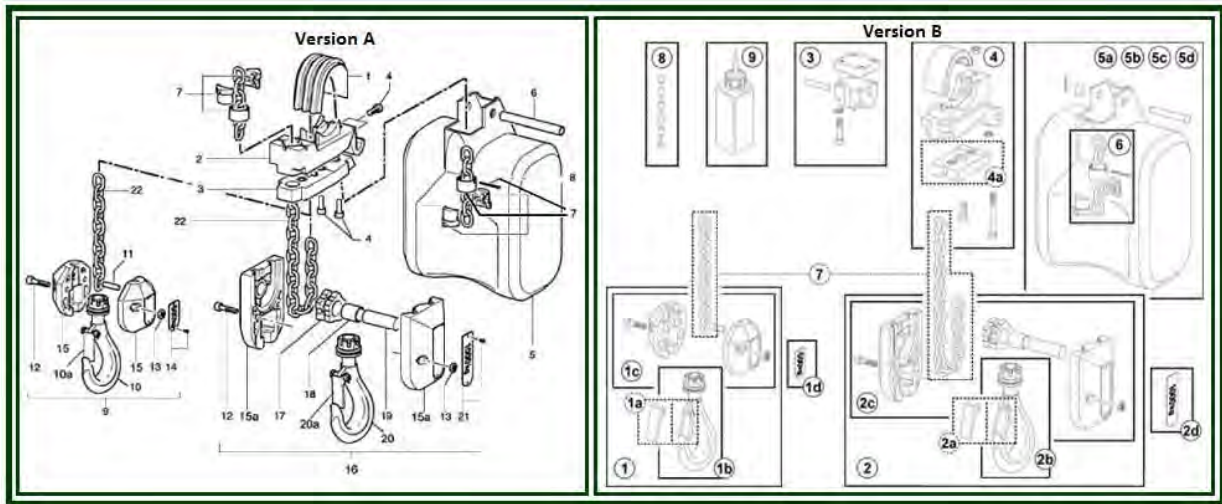
4) Mechanism / Brake - Version 2

Les palans entre 1999 et 2003 : version 2 / Hoists between 1999 and 2003 : version 2



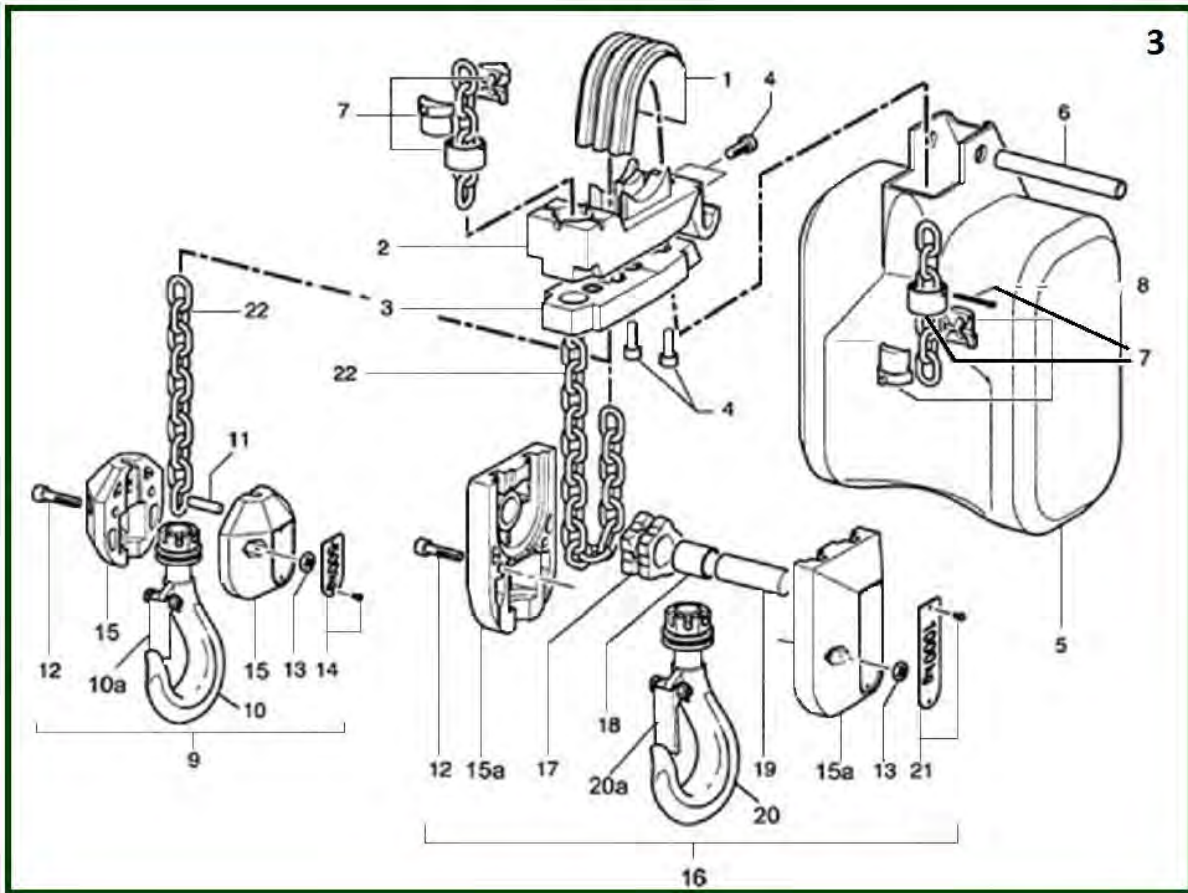
item	reference	description	observation	Quantity
2	2211501	Gear input shaft		1
3	2215000	Rotor assembly	. +4+4 - Bi vitesse / 2 speeds	1
3	2215001	Rotor assembly	. +4+4 - Mono vitesse / 1 speed	1
4	833713	Bearing		1
5	2214001	Chain sprocket assembled	. +4+6	1
9	2210520	Planet gear assembly - 2nd step	10+11+12+13+14 - 16 m/min	1
9	2210500	Planet gear assembly - 2nd step	10+11+12+13+14 8 m/min	1
15-20	2210503	Pinion	Item 15 : 2è étage / 2nd step	1
16	2210510	Planet gear assembly - 1st step	11+14+17+18+9	1
25	2211071	Brake limiter, assembly + housing 100 VDC	De 220 V 230V	0
25	2211070	Brake limiter, assembly + housing 190 VDC	De 380 V 460 V	0
25	2211072	Brake limiter, assembly + housing 240 VDC	De 500 V 575 V	0
25a	2219984	Metal sealing ring set and brake disc	21+22+23+ 24+28+8+29+30	1
30	2211020	Brake disk		1
33	2211080	Brake with fittings	100 V	1
33	2211081	Brake with fittings	190 V	1
33	2211082	Brake with fittings	240 V	1
-	2211016	Clutch spring set		1
-	2219983	Gear sealing set		1
-	2218009	Sealing set	22+23+24+29+37	1

5) Lifting assembly



5.1) Version 1

Les numéros de série commençant par 96/97 : version 1 / serial number beginning with 96 or 97 : version 1

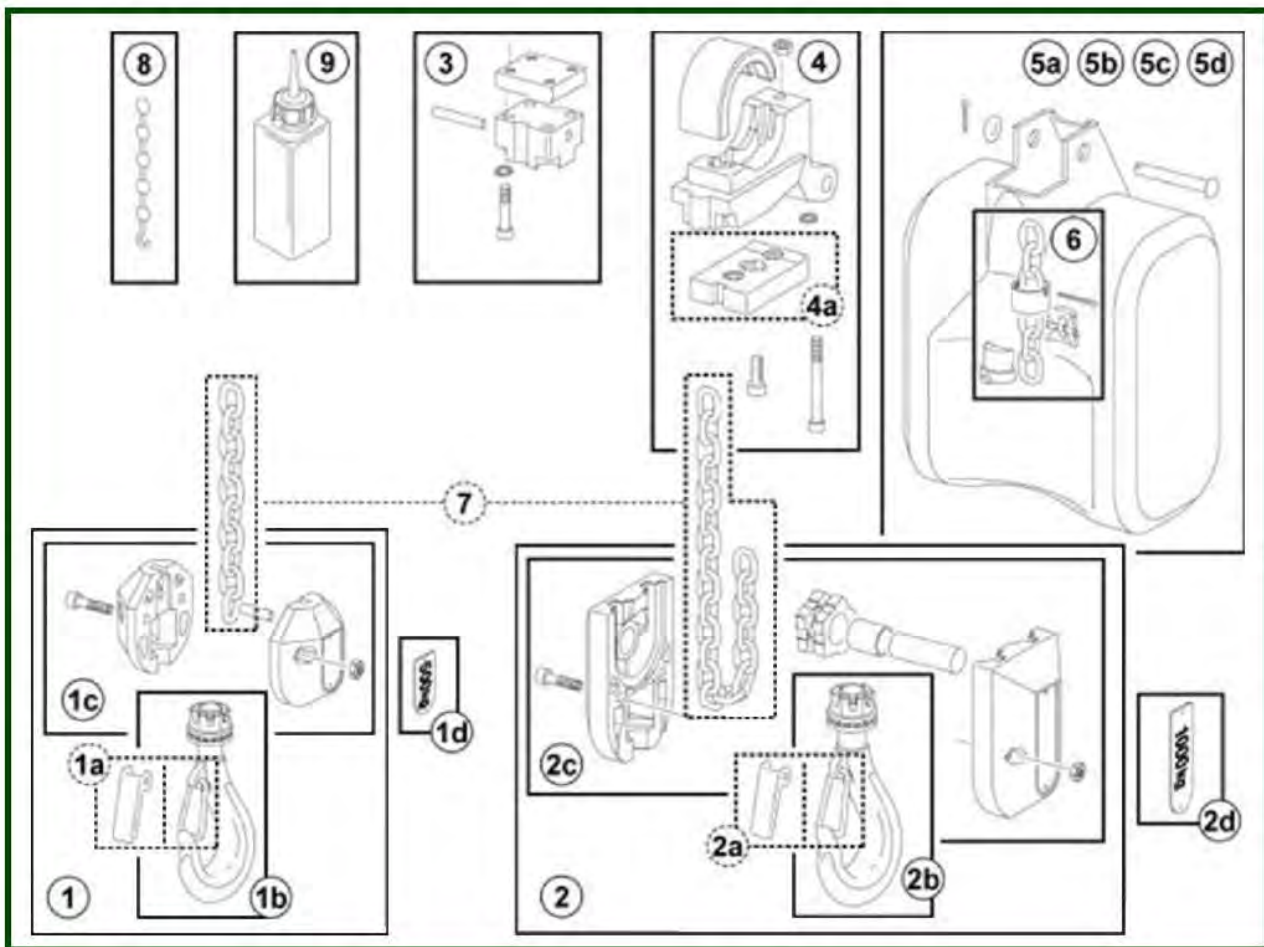


item	reference	description	observation	Quantity
1	2214006	Upper chain guide		1
2 + 3	2214010	Set of lower chain guide + Rubber buffer		1
3	2214009	Rubber buffer set		1
5	2219925	Chain bag	8 m	1
5	2219926	Chain bag	16 m - remplacé par B à C 50m / replaced by chain bag 50m	1
5	2219927	Chain bag	30 m - remplacé par B à C 50m / replaced by chain bag 50m	1
5	2219928	Chain bag	50 m	1
6	2211048	Suspension shaft	Diam = 10 mm	1
9	2219902	Lower hook block assembly	1 brin / 1 fall - Court/Short-Long	1
9	2212018	Lower hook block assembly - Self locking type	1 brin / 1 fall	1
10	2217015	Lifting hook - Self locking type	1 brin / 1 fall - 2 brins / 2 falls	1
10	2212011	Lifting hook - Standard	1 brin / 1 fall	1
10a	2212016	Safety latch - Steel	Crochet supérieur - 1brin / Upper hook - 1 fall	1
10a	A001512	Safety latch - Steel wire type	1 brin / 1 fall-2 brins / 2 falls PHR - 500 kg	1
14	2219937	Set of 10 load plates - 1 fall	125 kg	1
14	2219906	Set of 10 load plates - 1 fall	160 kg	2
14	2219907	Set of 10 load plates - 1 fall	250 kg	2
14	2219908	Set of 10 load plates - 1 fall	320 kg	2
14	2219909	Set of 10 load plates - 1 fall	500 kg	1
16	2212028	Hook block - Self locking type	2 brins / 2 falls	1
16	2212020	Hook block - Standard type	2 brins / 2 falls	1
17	2219986	Idler sprocket kit		1
20	2247015	Lifting hook block - Self-locking type	C06 : 2 Brins / falls C10 : 1 Brin / fall	1
20	2217004	Lifting hook - Standard type	1 brin / 1 fall	1
20a	2212017	Safety latch - Steel plate type	1 & 2 brins - Depuis 2000 - 025T 1 & 2 falls - Since 2000 - 025T	1

20a	<u>A001515</u>	Safety latch - Steel wire type 025 or 012	PHR : 1000 kg - 2 brins / falls	1
21a	<u>2219910</u>	Set of 10 load plates - 2 falls	320 kg	1
21b	<u>2219911</u>	Set of 10 load plates - 2 falls	500 kg	1
21c	<u>2219912</u>	Set of 10 load plates - 2 falls	630 kg	1
21d	<u>2219913</u>	Set of 10 load plates - 2 falls	1000 kg	1
22	<u>2213501V</u>	Black load chain - 4.8x12.5		1
22	<u>2213503V</u>	Chain - 4.8x12.5	H80C	1
22	<u>2213500V</u>	Galvanized load chain4.8x12.5		1
22	<u>2213502V</u>	Stainless steel chain - 4.8x12.5	Attention la capacité de charge / Be careful at load capacity	1
24	<u>2213523</u>	Chain anchor assembly		1
-	<u>9995005</u>	Can of oil for chain for chain	125 ml	1
-	<u>2211045</u>	Load chain mounting tool		1
-	<u>2219987</u>	Set of 2 half-casings, axle, return sprocket, and screws		1
-	<u>2219985</u>	Set of 2 half-casings with axle and screws		1
-	<u>2211050</u>	Slack fall stop assembly		1

5.2) Version 2

Les palans entre 1999 et 2003 : version 2 / Hoists between 1999 and 2003 : version 2



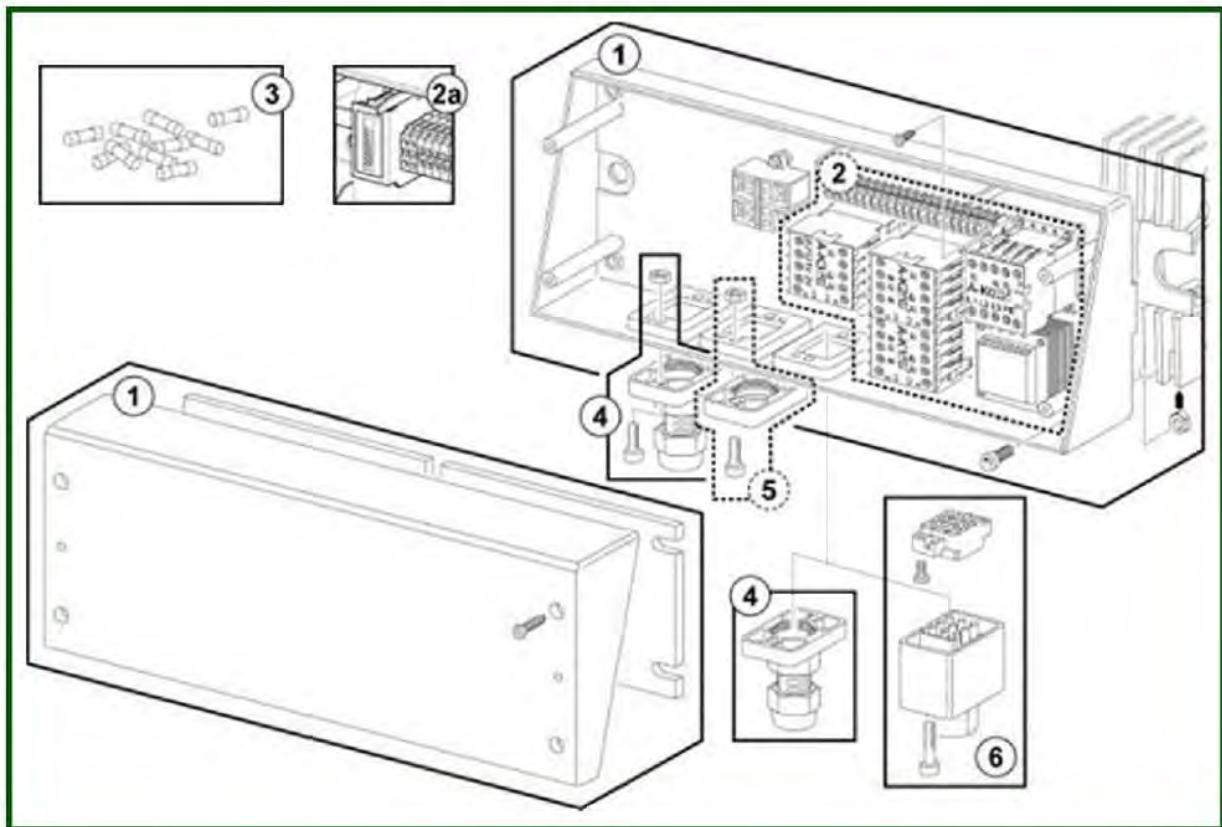
item	reference	description	observation	Quantity
1	2219902	Lower hook block assembly	1 brin / 1 fall - Court/Short-Long	1
1	2212018	Lower hook block assembly - Self locking type	1 brin / 1 fall	1
1a	2212016	Safety latch - Steel	Crochet supérieur - 1brin / Upper hook - 1 fall	1
1a	A001512	Safety latch - Steel wire type	1 brin / 1 fall-2 brins / 2 falls PHR - 500 kg	1
1b	2217015	Lifting hook - Self locking type	1 brin / 1 fall - 2 brins / 2 falls	1
1b	2212011	Lifting hook - Standard	1 brin/ 1 fall	1
1c	2219985	Set of 2 half-casings with axle and screws		1
1d	2219937	Set of 10 load plates - 1 fall	125 kg	1
1d	2219906	Set of 10 load plates - 1 fall	160 kg	1
1d	2219907	Set of 10 load plates - 1 fall	250 kg	1
1d	2219908	Set of 10 load plates - 1 fall	320 kg	1
1d	2219909	Set of 10 load plates - 1 fall	500 kg	1
2	2212028	Hook block - Self locking type	2 brins / 2 falls	1
2	2212020	Hook block - Standard type	2 brins / 2 falls	1
2a	2212017	Safety latch - Steel plate type	1 & 2 brins - Depuis 2000 - 025T 1 & 2 falls - Since 2000 - 025T	1
2a	A001515	Safety latch - Steel wire type 025 or 012	PHR : 1000 kg - 2 brins / falls	1
2b	2247015	Lifting hook block - Self-locking type	C06 : 2 Brins / falls C10 : 1 Brin / fall	1
2b	2217004	Lifting hook - Standard type	1 brin / 1 fall	1
2c	2219987	Set of 2 half-casings, axle, return sprocket, and screws		1
2d	2219910	Set of 10 load plates - 2 falls	320 kg	1
2d	2219911	Set of 10 load plates - 2 falls	500 kg	1
2d	2219912	Set of 10 load plates - 2 falls	630 kg	1
2d	2219913	Set of 10 load plates - 2 falls	1000 kg	1

3	<u>2213523</u>	Chain anchor assembly		1
4	<u>2214004</u>	Upper and lower chain guide assembly with rubber buffer		1
4a	<u>2214013</u>	Rubber buffer		1
5a	<u>2219990</u>	Chain bag	8 m	1
5b	<u>2249925</u>	Chain bag	C05 : 16 m - C10 : 8 m	1
5c	<u>2249926</u>	Chain bag	C05 : 30 m - C10 : 16 m	1
5d	<u>2249932</u>	Chain bag	C05 : 50 m - C10 : 30 m	1
6	<u>2211050</u>	Slack fall stop assembly		1
7	<u>2213501V</u>	Black load chain - 4.8x12.5		1
7	<u>2213503V</u>	Chain - 4.8x12.5	H80C	1
7	<u>2213500V</u>	Galvanized load chain4.8x12.5		1
7	<u>2213502V</u>	Stainless steel chain - 4.8x12.5	Attention à la capacité de charge / Be careful at load capacity	1
8	<u>2211045</u>	Load chain mounting tool		1
9	<u>9995008</u>	Oil can	125 ml	1
-	<u>2219986</u>	Idler sprocket kit		1

5.3) Precut chain

item	reference	description	observation	Quantity
	<u>53019851</u>	Black load chain - 4.8x12.5	15 mètres / meters	1
	<u>53019860</u>	Black load chain - 4.8x12.5	18 mètres / meters	1
	<u>53019865</u>	Black load chain - 4.8x12.5	20,5 mètres / meters	1
	<u>53019862</u>	Black load chain - 4.8x12.5	20 mètres / meters	1
	<u>53019870</u>	Black load chain - 4.8x12.5	21 mètres / meters	1
	<u>53019875</u>	Black load chain - 4.8x12.5	25 mètres / meters	1
	<u>53019876</u>	Black load chain - 4.8x12.5	26 mètres / meters	1
	<u>53019877</u>	Black load chain - 4.8x12.5	100 mètres / meters	1
	<u>53019943</u>	Galvanized load chain - 4.8x12.5	8 mètres / meters	1
	<u>53019945</u>	Galvanized load chain - 4.8x12.5	9 mètres / meters	1
	<u>53019949</u>	Galvanized load chain - 4.8x12.5	10 mètres / meters	1
	<u>53019956</u>	Galvanized load chain - 4.8x12.5	11 mètres / meters	1
	<u>53019958</u>	Galvanized load chain - 4.8x12.5	12 mètres / meters	1
	<u>53019924</u>	Galvanized load chain - 4.8x12.5	3,2 mètres / meters	1
	<u>53019930</u>	Galvanized load chain - 4.8x12.5	4 mètres / meters	1
	<u>53019932</u>	Galvanized load chain - 4.8x12.5	5 mètres / meters	1
	<u>53019937</u>	Galvanized load chain - 4.8x12.5	6 mètres / meters	1
	<u>53019938</u>	Galvanized load chain - 4.8x12.5	7 mètres / meters	1

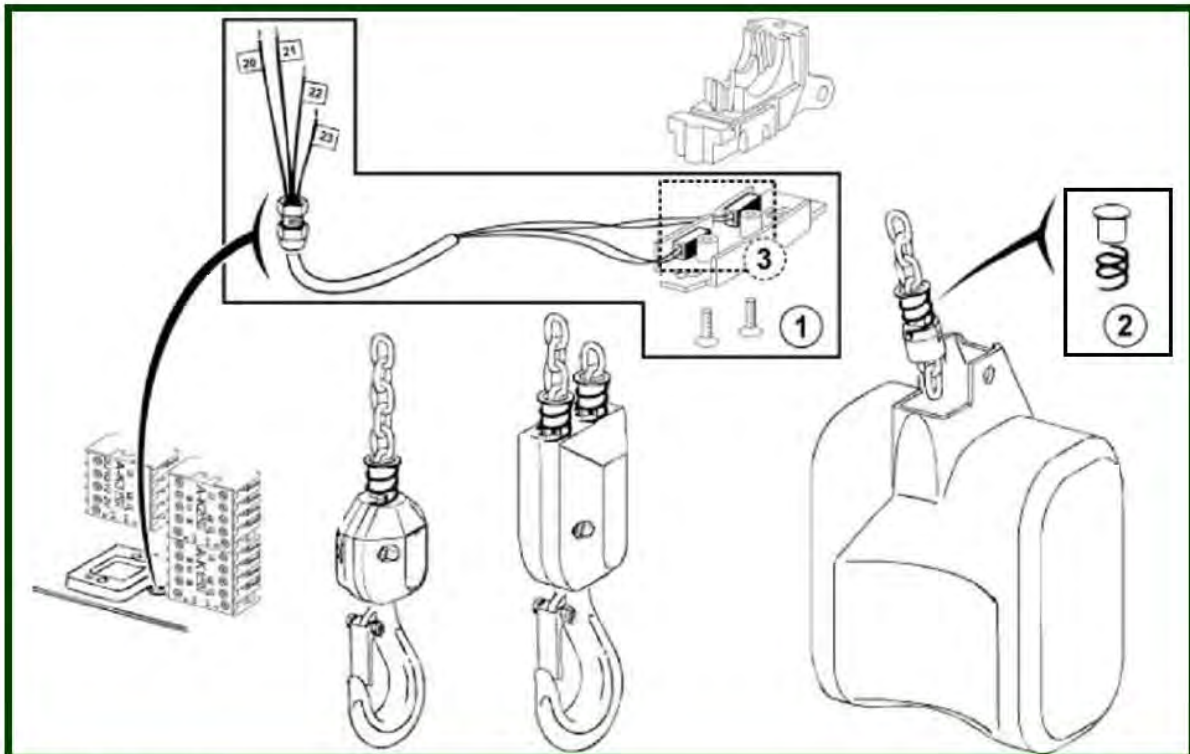
6) Electric box



item	reference	description	observation	Quantity
1	7383020	Earth		1
1	2219993	Electric cubicle (lid, cover, ground terminal and screws) -	ABS	1
1	2219934	Electric cubicle (lid, cover, ground terminal and screws) -	Noryl (CSA)	1
1	2219957	Electric cubicle base		1
1	2219963	Electric cubicle base	Noryl (CSA)	1
1	2219956	Electric cubicle cover e uipped		1
1	2213001	Electric cubicle cover e uipped	Noryl (CSA)	1
2	833098	Brake control module - Main switching control type	230 & 400 V Coffret acier auto/Steel cubicle automotive	1
2	833096	Brake control module - Main switching control type	500 V Palan type E seulement/ E type hoist only	1
2	2133033	CI board	2VD/2CS MAC	1
2	2213003	CI board	2VL+MA / 2HS+ON/OFF - 230V - 50Hz 60Hz - 48VAC	1
2	2213005	CI board	2VL+MA / 2HS+ON/OFF - 400V - 50Hz 60Hz - 24VAC	1
2	2213004	CI board	2VL+MA / 2HS+ON/OFF - 400V - 50Hz 60Hz - 48VAC	1
2	2213025	PC board	2VL+MA / 2HS+ON/OFF - 400V - 50Hz 60Hz - 115VAC	1
2	2213013	PC board	2VL+MA / 2HS+ON/OFF - 460V - 50Hz 60Hz - 48VAC	1
2	2213014	PC board	2VL+MA / 2HS+ON/OFF - 460V - 60Hz - 115VAC	1
2	2213011	PC board	2VL+MA / 2HS+ON/OFF - 500V - 50Hz 60Hz - 48VAC	1
2	2213012	PC board	2VL+MA / 2HS+ON/OFF - 575V - 50Hz 60Hz - 48VAC	1
2	2213037	PC board	2VL+MA / 2HS+ON/OFF - 690V - 50Hz 60Hz - 48VAC	1
2	2213015	PC board		1
2	2213018	PC board - Reconnectable	230V 460V - 60Hz - 115VAC	1
2	2213017	PC board - Standard	230V 460V - 60Hz - 115VAC	1
2a	2213027	Hour counter	60Hz 48VAC	1
2a	2213028	Hour counter	60Hz 115VAC	1
2a	2213002	Hour counter	50Hz 48VAC	1
3	2219988	Set of 10 fuses		1
4	2249947	Cable gland assembly		1

5	<u>2219814</u>	Closing plate assembly		1
6	<u>2249945</u>	Connecting plug set for push-button box	M+F Standard	1
6	<u>2249946</u>	Connecting plug set for trolley	TDU - M+F Standard	1
6	<u>2249982</u>	power supply plug		1
7	<u>2249898</u>	Set of pendant plug + electric cable connected	5 m - 8x1,5mm	1
7	<u>2249899</u>	Set of pendant plug + electric cable connected	10 m - 8x1,5mm	1
8	<u>7983002</u>	PCB Transformer	230V - 50Hz 60Hz - 48V	1
8	<u>7983001</u>	PCB Transformer	400V - 48V	1
8	<u>7983003</u>	PCB Transformer	500V - 48V	1

7) Upper and lower limit switch - Option



Montage / Assembly

La butée de fin de course haut et bas se monte à la place de la butée caoutchouc (rep. 4a).

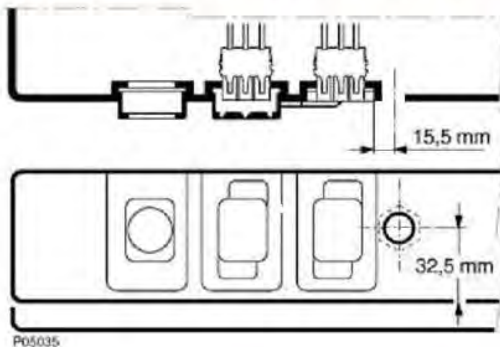
The limit switch is mounted in the place of the rubber buffer (rep. 4a).

Les vis CHc sont remplacées par des vis F90 M 6x30.

The CHc screws are replaced by F90 M 6x30 screws.

Perçer le coffret électrique d'un trou Ø 16mm, suivant les côtes indiquées sur le dessin.

Drill the hole for the cable gland (PG) to the electric cubicle according to the drawing.



ATTENTION !

Débrancher l'alimentation électrique avant toute intervention sur le coffret.

Cut off the mains power supply before doing any work on the electric cubicle.

Prendre garde de ne pas détériorer un élément de la platine pendant le perçage.

Take care not to damage any electrical components when drilling.

Placer le presse-étoupe, la tête hexagonale de celui-ci doit être bloquée par le bord de l'empreinte de prise encliquetable.

Insert the PG into the hole you have drilled, the side of the nut should be against the side of the nearby fast plug connector to avoid the nut's turning when tightening.

Faire passer les fils électriques par le presse-étoupe et suivre les indications portées sur ceux-ci pour les brancher aux bornes de la platines, à la place des shunts.

Pass the cables through the PG and follow the markings on them to connect the cables to the shunt on the PCB board

20 - 21 : Fin de course haut

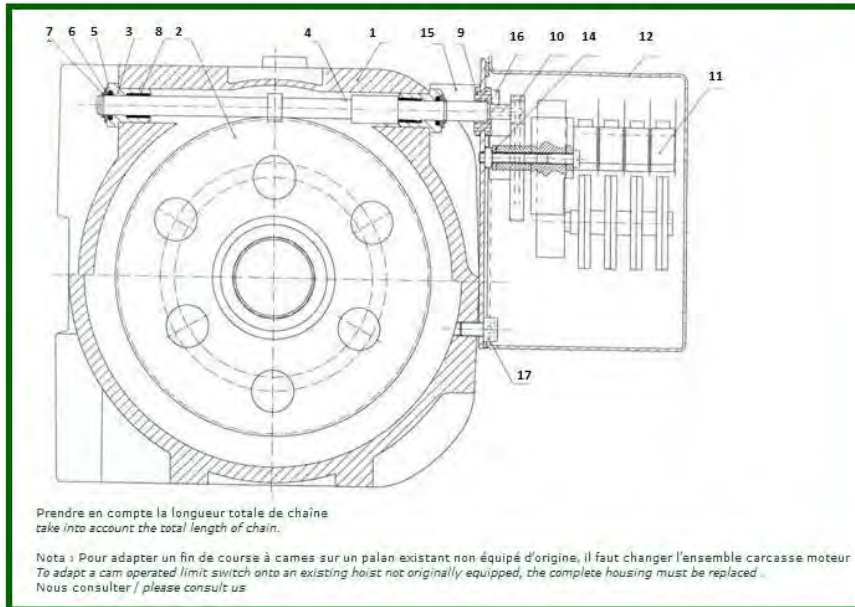
Upper Limit

22 - 23 : Fin de course bas

Lower Limit

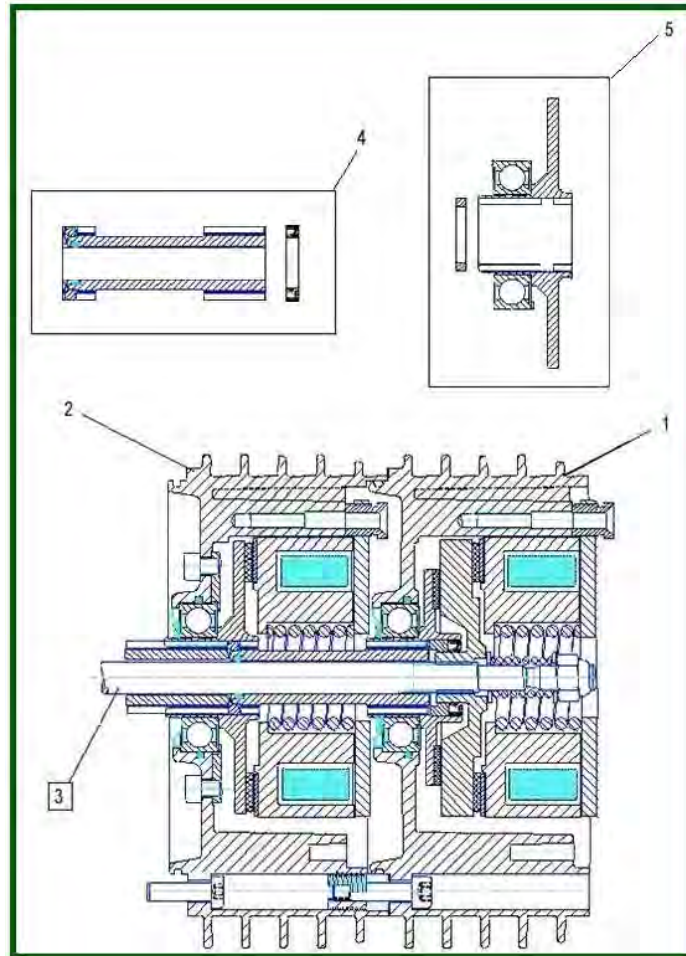
item	reference	description	observation	Quantity
1	2213041	Micro-switches assembly		1
2	2213042	Spring assembly + support		1
3	7291040	Micro-switch - CSA type	Avant/Before 12/2005	1
3	7291030	Micro-switch - Standard type	Avant/Before 12/2005	1
-	2213050	Complete limit switch device		1

8) Cam operated limit switch - Option



item	reference	description	observation	Quantity
1	2249076	2 cam limit switch 0 to 10m	10+11+14	1
1	2249078	2 cam limit switch 10m	10+11+14	1
1	2249077	4 cam limit switch 0 to 10m	10+11+14	1
1	2249079	4 cam limit switch 10m	10+11+14	1
2	2219006	Planet Gear support		1
10	2249075	Pinion - 24 teeth		1
-	52304656	Bush assembly	8+3	1
-	2219045	Enclosure assembly		1
-	52304654	Shaft assembly	4+5+6+7	1

9) Specifics parts - Double brakes



item	reference	description	observation	Quantity
1	2219017	first brake limiter assembly with housing	100VDC	1
1	2219007	first brake limiter assembly with housing	190VDC	1
2	2219008	first brake limiter assembly with housing	190VDC	1
2	2219018	Second brake assembly with housing	100VDC	1
3	2219051	Double brake motor shaft		1
4	52316873	Coupling pinion set		1
5	52316872	friction disc assembly for second brake		1
6	52316874	Sealing set		1
7	2219058	Metal electric box		1