

**Spare parts catalog for "VL16-VL20-VL25-XC3"**

To avoid errors, when ordering please specify:

- Complete type of hoist
- Date of manufacture and serial number
- Spare part code
- Spare part designation
- Additional information



**0) HOIST DESCRIPTION**

**1) HOISTING MOTOR AND CASING**

1.1) Hoisting motor and casing (new)

**2) GEAR**

2.1) Double brake-Optional

**3) LIFTING ASSEMBLY**

3.1) Precut chain

**4) ELECTRIC BOX**

4.1) Upper and lower limit switches - since may 2006

4.2) Rotating limit switch - 2 steps

4.3) Rotating limit switch - 4 steps

4.4) 2 cam rotating limit switch - after 2009

**5) ELECTRIC TROLLEY - MAIN DRAWING - 3 FALLS**

**6) 3 FALLS CROSS MEMBER**

**7) 3 FALLS HOOKBLOCK**

**8) 3 & 4 FALLS CHAIN BAG**

**9) SYNCHRO ASSY - 3 FALLS**

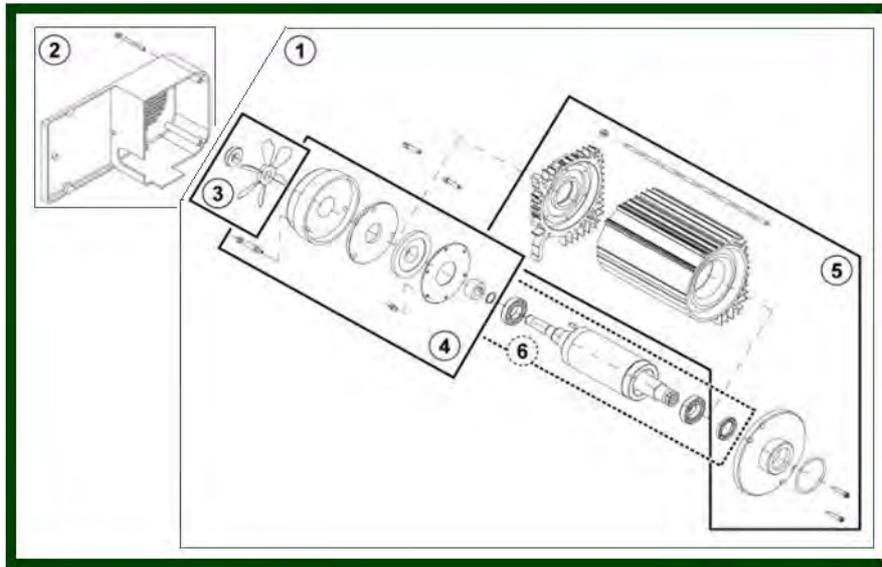
**10) FIXING OF THE PULLING WHEEL**

## 0) Hoist description

Type de palan VERLINDE	Type de palan UNEPAL	Charge de charge	Nbre de brins	Vitesse m / min	Puissance mot. / KW	Rapport de réduction	FEM	Chaîne
Type of hoist VERLINDE	Type of hoist UNEPAL	Load capacity	Nber of falls	Speedm / min	Motor power . / KW	Gear ratio		chain
VL 16 1008 b2	100XC318W2	1000 Kg	1	8 / 2	3,5 / 0,86	113	2 m	9 / 27
VL 16 1608 b1	160XC318W1	1600 Kg	1	8 / 2	3,5 / 0,86	113	1 Bm	9 / 27
VL 16 2004 b2	200XC324W2	2000 Kg	2	4 / 1	3,5 / 0,86	113	2 m	9 / 27
VL 16 3204 b1	320XC324W1	3200 Kg	2	4 / 1	3,5 / 0,86	113	1 Bm	9 / 27
VL 16 2504 b1	250XC324W1	2500 Kg	2	4 / 1	3,5 / 0,86	113	1 Bm	9 / 27
VL 20 2008 b1	200XC318W1	2000 Kg	1	8 / 2	3,5 / 0,86	113	1 Bm	11,3 / 31
VL 20 2504 b2	250XC324W2	2500 Kg	2	4 / 1	3,5 / 0,86	113	2m	11,3 / 31
VL 20 4004 b1	400XC324W1	4000 Kg	2	4 / 1	3,5 / 0,86	113	1 Bm	11,3 / 31
VL 25 1606 b2	160XC316W2	1600 Kg	1	6,3/ 1,6	3,5 / 0,86	145	2m	11,3 / 31
VL 25 2506 b1	250XC316W1	2500 Kg	1	6,3/ 1,6	3,5 / 0,86	145	1 Bm	11,3 / 31
VL 25 3203 b2	320XC323W2	3200 Kg	2	3,2/0,7	3,5 / 0,86	145	2m	11,3 / 31
VL 25 5003 b1	500XC323W1	5000 Kg	2	3,2/0,7	3,5 / 0,86	145	1 Bm	11,3 / 31

# 1) Hoisting motor and casing

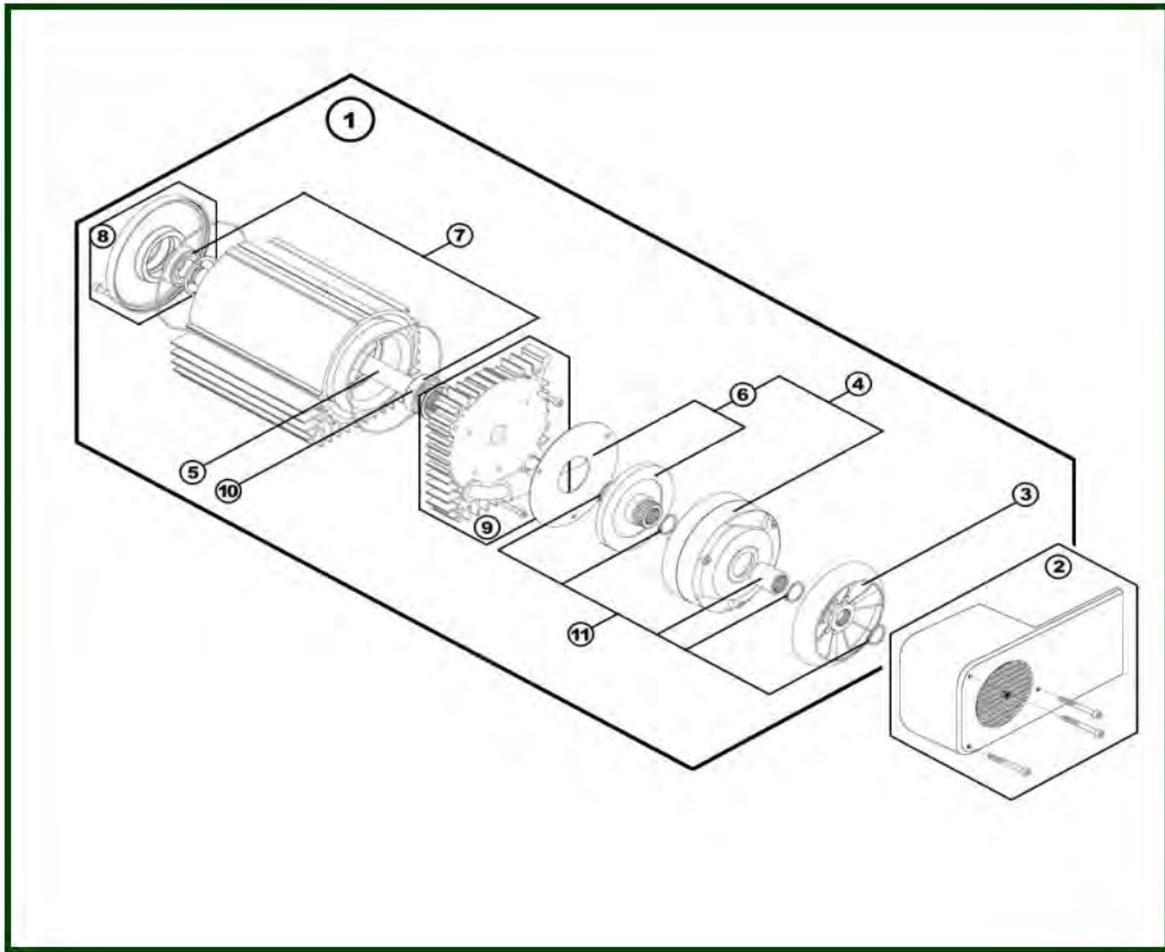
Avant/Before S/N 0352273 (52273)



item	reference	description	observation	Quantity
1	<a href="#">2245030</a>	Complete motor 230V/50Hz	C16-C20	1
1	<a href="#">2245035</a>	Complete motor 230V/50Hz	C25	1
1	<a href="#">2245033</a>	Complete motor 230V/60Hz	C16-C20	1
1	<a href="#">2245038</a>	Complete motor 230V/60Hz	C25	1
1	<a href="#">2245036</a>	Complete motor 400V/50Hz-46V/60Hz	C25	1
1	<a href="#">2245031</a>	Complete motor 400V/50Hz-460V/60Hz	C16-C20	1
1	<a href="#">2245034</a>	Complete motor 400V/60Hz	C16-C20	1
1	<a href="#">2245039</a>	Complete motor 400V/60Hz	C25	1
1	<a href="#">2245032</a>	Complete motor 500V/50Hz-575V/60Hz	C16-C20	1
1	<a href="#">2245037</a>	Complete motor 500V/50Hz-575V/60Hz	C25	1
2	<a href="#">2279901</a>	Brake end cap with screws		1
3	<a href="#">2279906</a>	Fan set		1
4	<a href="#">2279956</a>	Brake assembly - 95 V		1
4	<a href="#">2279957</a>	Brake assembly - 190 V		1
4	<a href="#">2279958</a>	Brake assembly - 225 V		1
5	<a href="#">2279907</a>	Stator assembly		1
6	<a href="#">2279909</a>	Rotor assembly		1
-	<a href="#">52316219</a>	Brake disk and pinions		1
-	<a href="#">52314616</a>	Brake pinion replacement kit		1

## 1.1) Hoisting motor and casing (new)

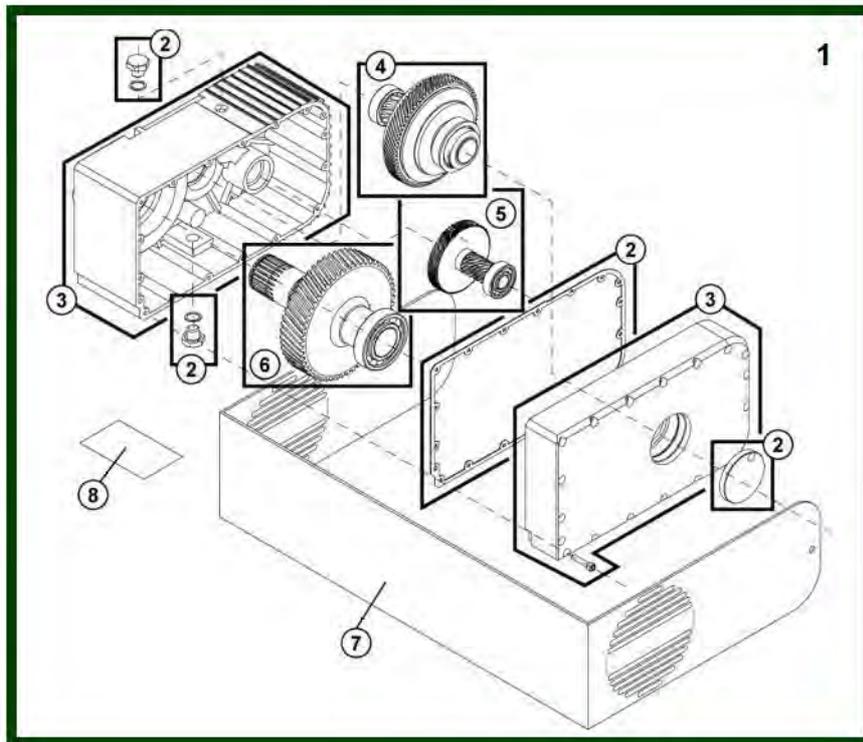
Après mai/After may 2003 S/N 0352273 (C52273)



item	reference	description	observation	Quantity
1	<a href="#">2245030</a>	Complete motor 230V/50Hz	C16-C20	1
1	<a href="#">2245035</a>	Complete motor 230V/50Hz	C25	1
1	<a href="#">2245033</a>	Complete motor 230V/60Hz	C16-C20	1
1	<a href="#">2245038</a>	Complete motor 230V/60Hz	C25	1
1	<a href="#">2245036</a>	Complete motor 400V/50Hz-46V/60Hz	C25	1
1	<a href="#">2245031</a>	Complete motor 400V/50Hz-460V/60Hz	C16-C20	1
1	<a href="#">2245034</a>	Complete motor 400V/60Hz	C16-C20	1
1	<a href="#">2245039</a>	Complete motor 400V/60Hz	C25	1
1	<a href="#">2245032</a>	Complete motor 500V/50Hz-575V/60Hz	C16-C20	1
1	<a href="#">2245037</a>	Complete motor 500V/50Hz-575V/60Hz	C25	1
2	<a href="#">2279901</a>	Brake end cap with screws		1
3	<a href="#">2275040</a>	Fan set		1
4	<a href="#">2275045</a>	Brake assembly - 100V		1
4	<a href="#">2275042</a>	Brake assembly - 180V		1
4	<a href="#">2275043</a>	Brake assembly - 240V		1
4	<a href="#">2275044</a>	Brake assembly - 290V		1
5	<a href="#">2275051</a>	Rotor assembly - 2 speeds		1
5	<a href="#">2275052</a>	Rotor assembly inverter		1

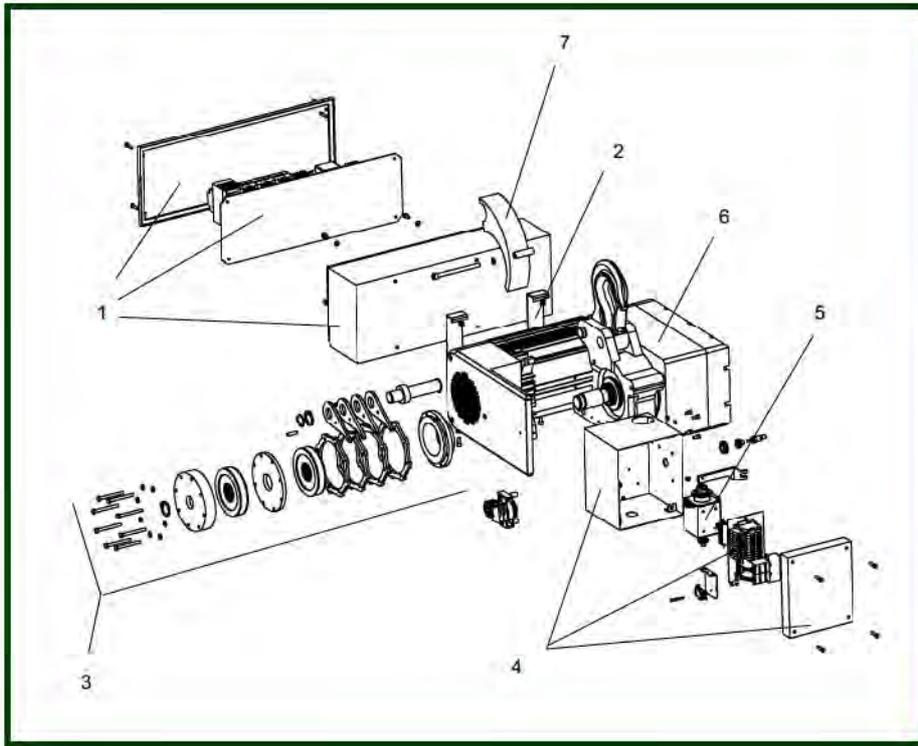
6	<u>2275041</u>	Brake disc assembly for 2 speeds and inverter motor	1
7	<u>2275049</u>	Bearing set 2 speeds motor	1
7	<u>2275050</u>	Bearing set inverter motor	1
8	<u>2275046</u>	Gearbox side end flange	1
9	<u>2275047</u>	Brake side end flange	1
10	<u>2275048</u>	Sensor bearing (inverter)	1
11	<u>2275053</u>	Circlip and splined tube assembly	1
-	<u>2279550</u>	Rain cover	1

## 2) Gear



item	reference	description	observation	Quantity
1	<u>2260500</u>	Hoisting gearbox - Type 113	C16-C20	1
1	<u>2270500</u>	Hoisting gearbox - Type 144.2	C25	1
2	<u>2279923</u>	Set of seals		1
3	<u>2270000</u>	Casing		1
4	<u>2279904</u>	Gear set 2 step (load limiter)		1
5	<u>2279902</u>	Gear set 1 step - Type 113	C16-C20	1
5	<u>2279903</u>	Gear set 1 step - Type 144.2	C25	1
6	<u>2279905</u>	Gear set 3 step		1
7	<u>2266031</u>	Stickers and cover set VL16		1
7	<u>2266041</u>	Stickers and cover set VL 20		1
7	<u>2276031</u>	Stickers and cover set VL 25		1
8	<u>2219922</u>	Set of 10 load plates	1000 Kg	1
8	<u>2219923</u>	Set of 10 load plates	1600 Kg	1
8	<u>2219924</u>	Set of 10 load plates	2000 Kg	1
8	<u>2219892</u>	Set of 10 load plates	2500 kg	1
8	<u>2219893</u>	Set of 10 load plates	3200 kg	1
8	<u>2219894</u>	Set of 10 load plates	4000 kg	1
8	<u>2219895</u>	Set of 10 load plates	5000 kg	1
-	<u>2271008</u>	Clutch nut	M35X1.5	1

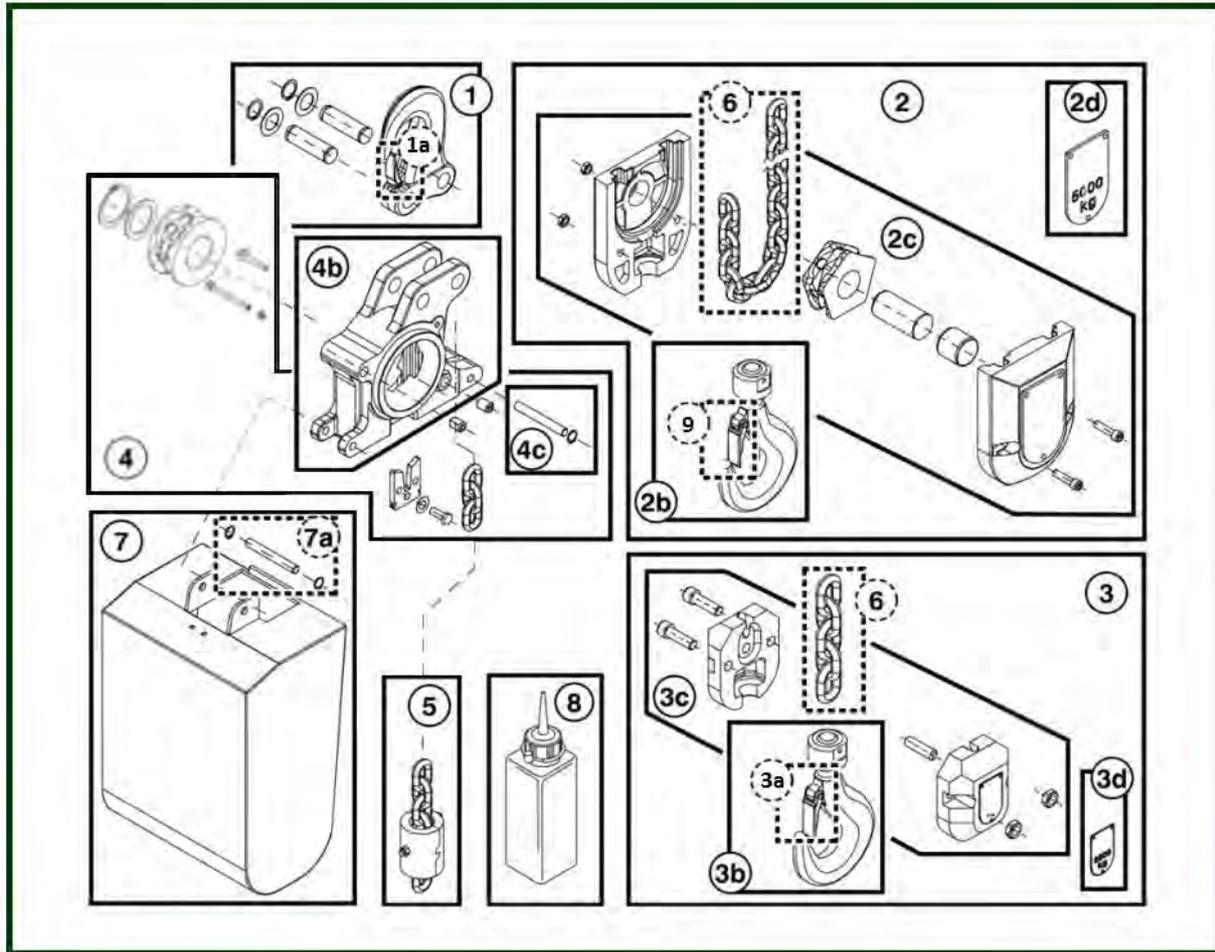
## 2.1) Double brake-Optional



item	reference	description	observation	Quantity
1	<a href="#">52336943</a>	Low voltage cubicle assembly		1
2	<a href="#">52338342</a>	Low voltage cubicle support bracket		1
3	<a href="#">52337007</a>	Brake assembly		1
4	<a href="#">52336944</a>	Jack cubicle assembly		1
5	<a href="#">52335461</a>	Jack		1
6	<a href="#">52337923</a>	Gearbox GE25-1 - 8/2 m/min		1
6	<a href="#">52337909</a>	Gearbox GE25-4 - 6.3/1.6m/min		1
7	<a href="#">52335439</a>	Protective cover set		1

### 3) Lifting Assembly

Depuis Juillet 2004 : le bac est en plastique / Since July 2004 the chain bucket are now in plastic



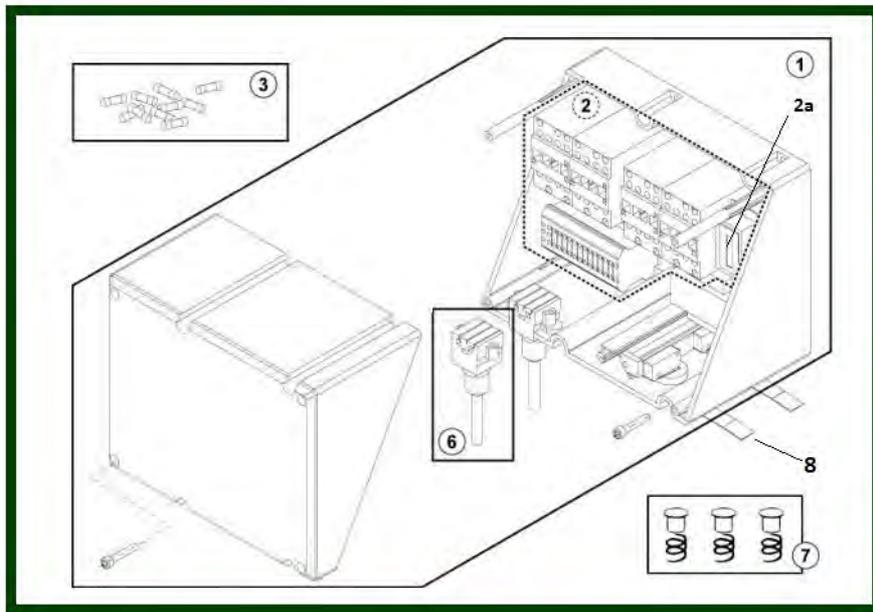
item	reference	description	observation	Quantity
1	<a href="#">2279955</a>	Suspension hook assembly perpendicular	C16-C20-C25	1
1bis	<a href="#">2279920</a>	Perpendicular suspension bracket assembly	C16 - Chariot/Trolley C3	1
1bis	<a href="#">2279921</a>	Perpendicular suspension bracket assembly	C16 - Chariot/Trolley C5	1
2	<a href="#">2269915</a>	Hook block assembly	C16 - 2 brins / 2 falls - Chaîne / Chain 9x27	1
2	<a href="#">2279915</a>	Hook block assembly	C20-C25 - 2 brins / 2 falls - Chaîne / Chain 11.3x31mm	1
2	<a href="#">52371864</a>	Hook block assembly - Stainless steel	2 brins / 2 falls - Chaîne / Chain 9x27	1
2	<a href="#">52386396</a>	Hook block assembly - Stainless steel	2 brins / 2 falls - Chaîne / Chain 11.3x31mm	1
2b	<a href="#">52339567</a>	Automatic hook	C16 - 2 brins / 2 falls - Chaîne / Chain 9x27	1
2b	<a href="#">52339568</a>	Automatic hook	C20 - 2 brins / 2 falls - Chaîne / Chain 11.3x31	1
2b	<a href="#">52339569</a>	Automatic hook	C25 - 2 brins / 2 falls - Chaîne / Chain 11.3x31	1
2b	<a href="#">2267000</a>	Hook - 2falls	C16 - Chaîne / Chain 9x27	1
2b	<a href="#">2277001</a>	Hook - 2falls	C20-C25 - Chaîne / Chain 11.3x31	1
2b	<a href="#">52370692</a>	Hook - Stainless steel	2 brins / 2 falls - Chaîne / Chain 9x27	1
2b	<a href="#">52386394</a>	Hook - Stainless steel	2 brins / 2 falls - Chaîne / Chain 11.3x31 - Max 3.2T	1
2b	<a href="#">52291845</a>	Lower hook block	3 brins / 3 falls - Chaîne / Chain 11.3x31 - 7.5 T	1
2c	<a href="#">2269916</a>	Set of 2 half-casings with axle, return sprocket, and screws	C16 - Chaîne / Chain 9x27	1
2c	<a href="#">2279916</a>	Set of 2 half-casings with axle, return sprocket, and screws	C20-C25 - Chaîne/Chain 11,3x31	1
2d	<a href="#">2269902</a>	Set of 10 load plates - 2 falls	C16 - 2000 kgs - Chaîne / Chain 9x27	1
2d	<a href="#">2269920</a>	Set of 10 load plates - 2 falls	C16 - 2500 kg - Chaîne / Chain 9x27	1
2d	<a href="#">2269903</a>	Set of 10 load plates - 2 falls	C16 - 3200 kg - Chaîne / Chain 9x27	1
2d	<a href="#">2269905</a>	Set of 10 load plates - 2 falls	C20-C25 - 2500 Kg - Chaîne / Chain 11,3X31	1
2d	<a href="#">2269907</a>	Set of 10 load plates - 2 falls	C20-C25 - 3200 Kg - Chaîne / Chain 11,3X31	1
2d	<a href="#">2269906</a>	Set of 10 load plates - 2 falls	C20-C25 - 4000 kg - Chaîne / Chain 11,3X31	1
2d	<a href="#">2269908</a>	Set of 10 load plates - 2 falls	C20-C25 - 5000 kg - Chaîne / Chain 11,3X31	1

3	<a href="#">2269900</a>	Hook block assembly	C16 - 1 brin / 1 fall - Chaîne / Chain 9x27	1
3	<a href="#">2279900</a>	Hook block assembly	C20-C25 - 1 brin / 1 fall - Chaîne / Chain 11.3x31	1
3	<a href="#">2267011</a>	Hook block assembly - Automatic	C16 - 1 brin / 1 fall - Chaîne / Chain 9x27	1
3	<a href="#">2277011</a>	Hook block assembly - Automatic	C20-C25 - 1 brin / 1 fall - Chaîne / Chain 11.3x31	1
3	<a href="#">52371865</a>	Hook block assembly - Stainless steel	1 brin / 1 fall - Chaîne / Chain 11.3x31	1
3	<a href="#">52371863</a>	Hook block assembly - Stainless steel		1
3b	<a href="#">2277000</a>	Hook	1 brin / 1 fall - Chaîne / Chain 11.3x31	1
3b	<a href="#">2242021</a>	Hook	C16 - 1 & 2 brins / falls - Chaîne / Chain 9x27	1
3b	<a href="#">2267015</a>	Hook - Automatic	1 & 2 brins / falls - Chaîne / Chain 9x27	1
3b	<a href="#">2277015</a>	Hook - Automatic	1 brin / 1 fall - Chaîne / Chain 11.3x31	1
3b	<a href="#">52370691</a>	Hook - Stainless steel	1 brin / 1 fall - Chaîne / Chain 9x27 630 kg-2m & 1 000kg-1Bm	1
3b	<a href="#">52370698</a>	Hook - Stainless steel	1 brin / 1 fall - Chaîne / Chain 11.3x31	1
3c	<a href="#">2269917</a>	Set of 2 half-casings with axle, return sprocket, and screws	Chaîne / Chain 9x27	1
3c	<a href="#">2279917</a>	Set of 2 half-casings with axle, return sprocket, and screws	Chaîne / Chain 11.3x31	1
3d	<a href="#">2269909</a>	Set of 10 load plates - 1 fall	1000 kg - Chaîne / Chain 9x27	1
3d	<a href="#">2269901</a>	Set of 10 load plates - 1 fall	1600 kg - Chaîne / Chain 9x27	1
3d	<a href="#">2269911</a>	Set of 10 load plates - 1 fall	1600 kg - Chaîne / Chain 11.3x31	1
3d	<a href="#">2269904</a>	Set of 10 load plates - 1 fall	2000 kg - Chaîne / Chain 11.3x31	1
3d	<a href="#">2269912</a>	Set of 10 load plates - 1 fall	2500 kg - Chaîne / Chain 11.3x31	1
4	<a href="#">2269913</a>	Chain sprocket assembly + ejector	C16 - Chaîne / Chain 9x27	1
4	<a href="#">2279911</a>	Chain sprocket assembly + ejector	C20-C25 - Chaîne / Chain 11.3x31	1
4b	<a href="#">2265502</a>	Chain guide	C16 - Chaîne / Chain 9x27	1
4b	<a href="#">2275502</a>	Chain guide	C20-C25 - Chaîne / Chain 11.3x31	1
4c	<a href="#">2269914</a>	Chain sprocket with ejector - 2 falls only	C16 - Chaîne / Chain 9x27	1
4c	<a href="#">2279910</a>	Chain sprocket with ejector - 2 falls only	C20-C25-Chaîne / Chain 11.3x31	1
4d	<a href="#">2264005</a>	Chain ejector	Chaîne / Chain 9x27	1
4d	<a href="#">2274005</a>	Chain ejector	Chaîne / Chain 11.3x31	1
5	<a href="#">2269942</a>	Chain stop	C16 - Chaîne / Chain 9x27	1
5	<a href="#">2279942</a>	Chain stop	C20-C25 - Chaîne / Chain 11.3x31	1
6	<a href="#">2263500V</a>	Galvanized chain - 9x27		1
6	<a href="#">2273500V</a>	Galvanized chain - 11.3x31		1
6	<a href="#">2263502V</a>	Stainless steel chain - 9x27		1
6	<a href="#">2273502V</a>	Stainless steel chain - 11.3x31		1
6a	<a href="#">1832403990</a>	Chain lifting tool	C16-C20-C25	1
7	<a href="#">52292004</a>	Chain bucket - 3 falls & 4 falls	C20-C25 - 3 brins/falls : 3 m - 4 brins / falls : 6 m	1
7	<a href="#">52293324</a>	Chain bucket - 3 falls & 4 falls	C20-C25 - 3 brins/falls : 9 m - 4 brins / falls : 15 m	1
7	<a href="#">52294886</a>	Chain bucket - 3 falls & 4 falls	C20-C25 - 3 brins/falls : 16 m - 4 brins / falls : 25 m	1
7	<a href="#">2279930</a>	Chain bucket plastic - 1 & 2 falls	C16 : 16 m C20-C25 : 12 m Depuis juillet 2004 / Since July 2004	1
7	<a href="#">2279936</a>	Steel Chain bucket	C16 : 16 m C20-C25 : 12 m	1
7	<a href="#">2279931</a>	Steel Chain bucket - 1 & 2 falls	C16 : 50 m C20-C25 : 30 m	1
7	<a href="#">2279932</a>	Steel Chain bucket - 1 & 2 falls	C16 : 80 m C20-C25 : 50 m	1
8	<a href="#">9995008</a>	Oil can	125 ml	1
9	<a href="#">52727572</a>	Safety latch - Stainless steel	1 brin / 1 fall	1
9	<a href="#">2242017</a>	Safety latch - Steel plate	C16 : 1 brin / fall - C10 : 2 brins / falls	1
9	<a href="#">2279914</a>	Safety latch - Steel plate	C16-C20-C25 : 2 brins / falls - C20-C25 : 1 brin / fall	1
9	<a href="#">A001513</a>	Safety latch - Steel wire type	C16 : 2 brins / falls - 1600kg	1

### **3.1) Precut chain**

<b>item</b>	<b>reference</b>	<b>description</b>	<b>observation</b>	<b>Quantity</b>
	<u>53020151</u>	Galvanized load chain - 9x27	6 mètres / meters	1
	<u>53020152</u>	Galvanized load chain - 9x27	10 mètres / meters	1
	<u>53020171</u>	Galvanized load chain - 9x27	12,5 mètres / meters	1
	<u>53020176</u>	Galvanized load chain - 9x27	100 mètres / meters	1
	<u>53020179</u>	Galvanized load chain - 11.3x31	9 mètres / meters	1

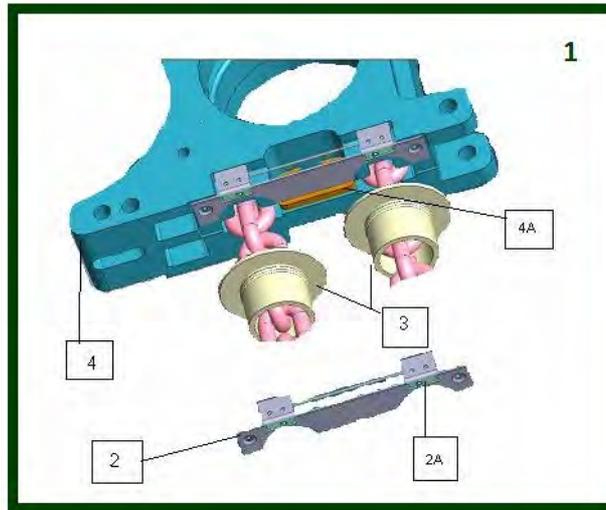
## 4) Electric Box



item	reference	description	observation	Quantity
1	<a href="#">2263015</a>	Electric cubicle casing (box+cover) ABS		1
1	<a href="#">52353633</a>	Electric cubicle casing (box+cover) NORYL	Seulement/Only USA	1
1	<a href="#">52271066</a>	Electric cubicle with board	RSA 230/48V C25 - Renault	1
1	<a href="#">52271062</a>	Electric cubicle with board	RSA 400V C25 - Renault	1
1	<a href="#">52270370</a>	Electric cubicle with board (RVI) and cam limit switch	220V	1
2	<a href="#">2263006</a>	Circuit board 2HS+ON/OFF	230V - 48V - 50 60Hz	1
2	<a href="#">2263004</a>	Circuit board 2HS+ON/OFF	400V - 48V - 50 60Hz	1
2	<a href="#">2263007</a>	Circuit board 2HS+ON/OFF	500V - 48V - 50 60Hz	1
2a	<a href="#">2213027</a>	Hour counter	60Hz 8VAC	1
2a	<a href="#">2213028</a>	Hour counter	60Hz 115VAC	1
2a	<a href="#">2213002</a>	Hour counter	50Hz 48VAC	1
3	<a href="#">2249979</a>	Set of 10 fuses	48V	1
4	<a href="#">2249947</a>	Cable gland assembl		1
5	<a href="#">2219814</a>	Closing plate assembly		1
6	<a href="#">2249945</a>	Connecting plug set for push-button box	M+F Standard	1
6	<a href="#">2249946</a>	Connecting plug set for trolley	TDU - M+F Standard	1
6	<a href="#">2249982</a>	power supply plug		1
7	<a href="#">2269010</a>	Set of 3 springs + support	Chaîne / Chain 9x27	1
7	<a href="#">2279010</a>	Set of 3 springs + support	Chaîne / Chain 11.3x31	1
8	<a href="#">2269001</a>	Trigger plate	Jusqu'en avril / To april 2006	2
	<a href="#">52381239</a>	Cubicle support bracket		1
	<a href="#">2243061</a>	Rectifier - Reconnectable	230V-460V Seulement USA /Only for US	1
	<a href="#">2243060</a>	Rectifier	230-400V/460V/500V/575V Palan standard ou STAGMAKER version E / Standard hoist or stagemaker E type hoist (direct voltage)	1
	<a href="#">2269911</a>	Set of 10 load plates - 1 fall	1600 kg - Chaîne / Chain 11.3x31	1
	<a href="#">2263050</a>	Upper and lower limit switch assembly	Jusqu'en avril / To april 2006	1

## 4.1) Upper and lower limit switches - since may 2006

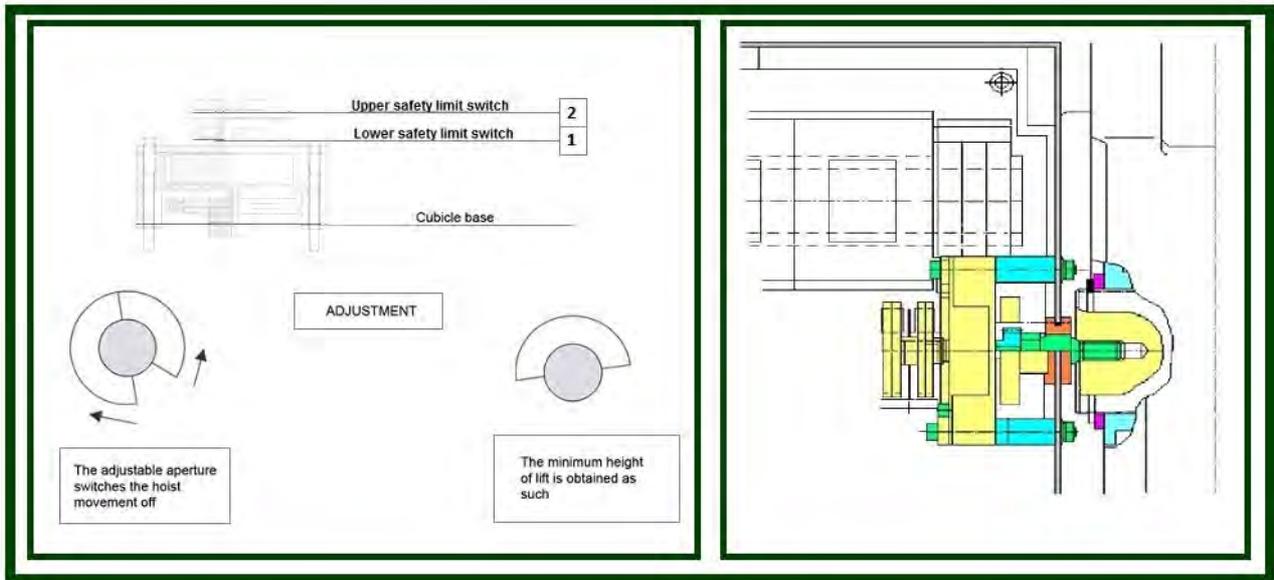
Depuis Mai 2006 / Since May 2006



item	reference	description	observation	Quantity
1	<a href="#">52335903</a>	Chain guide assembly + spring + limit switch up and down + ejector	Chaîne / Chain 9x27	1
1	<a href="#">52335905</a>	Chain guide assembly + spring + limit switch up and down + ejector	Chaîne / Chain 11.3x31	1
2	<a href="#">52332038</a>	Limit switch assembly + support bracket		1
2A	<a href="#">52326175</a>	Micro-switch - Standard & CSA type	Après/After 12/2005	2
3	<a href="#">2269010</a>	Set of 3 springs + support	Chaîne / Chain 9x27	1
3	<a href="#">2279010</a>	Set of 3 springs + support	Chaîne / Chain 11.3x31	1
4	<a href="#">2265502</a>	Chain guide	C16 - Chaîne / Chain 9x27	1
4	<a href="#">2275502</a>	Chain guide	C20-C25 - Chaîne / Chain 11.3x31	1
4A	<a href="#">2264005</a>	Chain ejector	Chaîne / Chain 9x27	1
4A	<a href="#">2274005</a>	Chain ejector	Chaîne / Chain 11.3x31	1

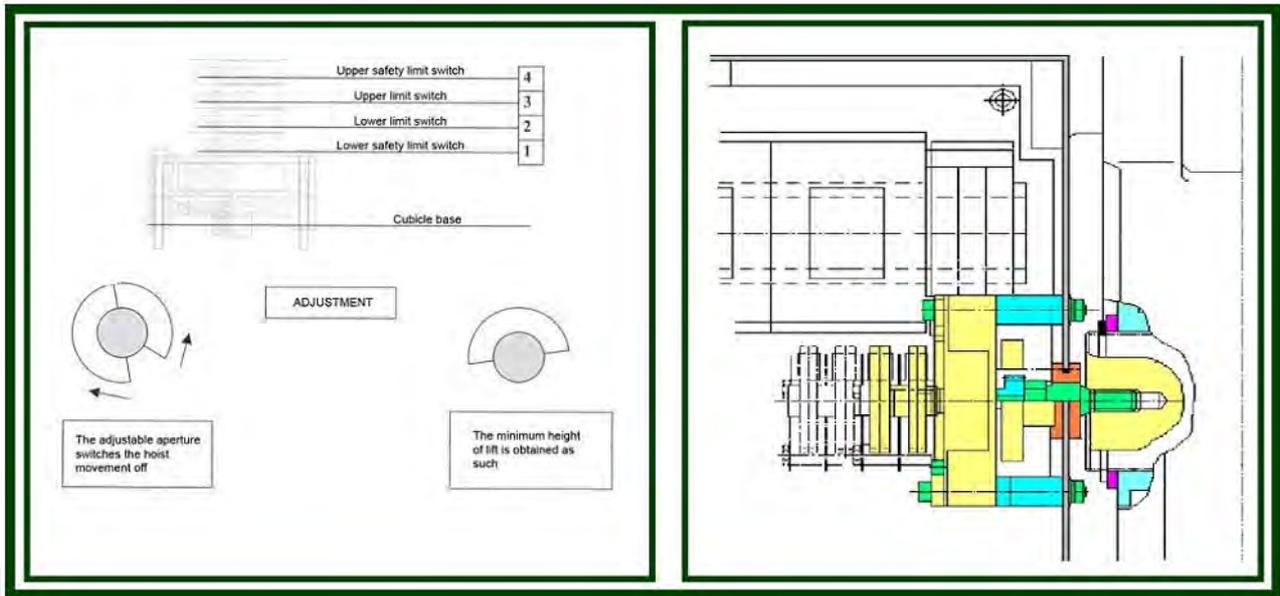
## 4.2) Rotating limit switch - 2 steps

Montage uniquement avec coffret métal / Use only with metal cubicle



item	reference	description	observation	Quantity
1	<a href="#">52272210</a>	2 cam limit switch	C16 : Hauteur de levée sur 1 brin / Height of lift on 1 fall C20/C25 : Hauteur de levée sur 1 brin / Height of lift on 1 fall 0 to 10 m included - Ratio 15	1
1	<a href="#">52272211</a>	2 cam limit switch	C16 : Hauteur de levée sur 1 brin / Height of lift on 1 fall C20/C25 : Hauteur de levée sur 1 brin / Height of lift on 1 fall 11 to 17 m included - Ratio 25	1
1	<a href="#">52272212</a>	2 cam limit switch	C16 : Hauteur de levée sur 1 brin / Height of lift on 1 fall C20/C25 : Hauteur de levée sur 1 brin / Height of lift on 1 fall 18 to 60 m included - Ratio 83+1/3	1
1	<a href="#">52272213</a>	2 cam limit switch	C16 : Hauteur de levée sur 1 brin / Height of lift on 1 fall C20/C25 : Hauteur de levée sur 1 brin / Height of lift on 1 fall 61 to 72 m included - Ratio 100	1
-	<a href="#">833866</a>	Connector	Boîte à boutons / Push buttons	1
-	<a href="#">833864</a>	Cover	Boîte à boutons / Push buttons	1
=	<a href="#">52741878</a>	Axle module	C16-C20-C25	1
=	<a href="#">52270369</a>	Metal cubicle RVI equiped for 2 cam limit switch	C16-C20-C25	1

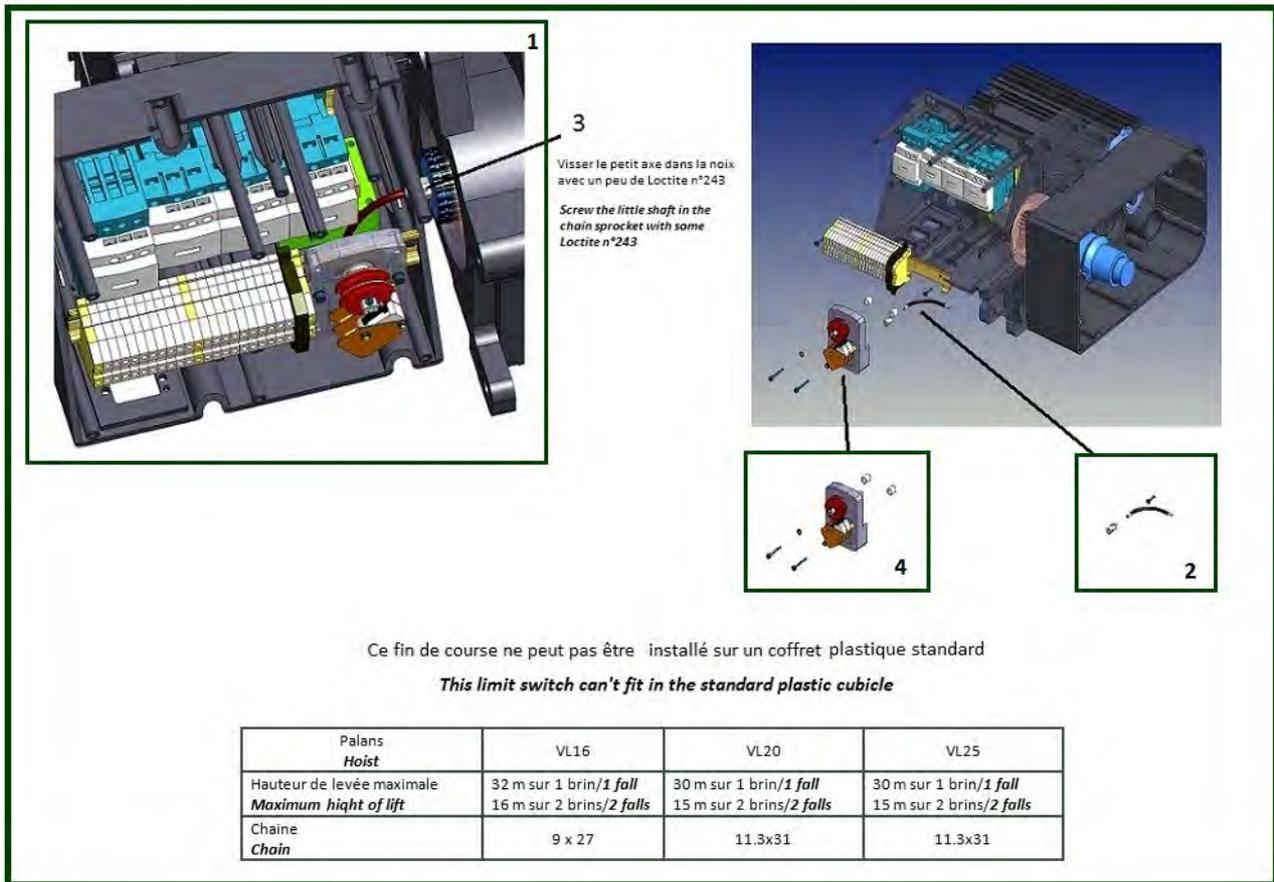
### 4.3) Rotating limit switch - 4 steps



item	reference	description	observation	Quantity
1	<a href="#">52292342</a>	4 cam limit switch	C16 : Hauteur de levée sur 1 brin / Height of lift on 1 fall C20/C25 : Hauteur de levée sur 1 brin / Height of lift on 1 fall 0 to 10 m included - Ratio 15	1
1	<a href="#">52275005</a>	4 cam limit switch	C16 : Hauteur de levée sur 1 brin / Height of lift on 1 fall C20/C25 : Hauteur de levée sur 1 brin / Height of lift on 1 fall 11 to 17 m included - Ratio 25	1
1	<a href="#">52275006</a>	4 cam limit switch	C16 : Hauteur de levée sur 1 brin / Height of lift on 1 fall C20/C25 : Hauteur de levée sur 1 brin / Height of lift on 1 fall 18 to 60 m included - Ratio 83+1/3	1
-	<a href="#">833866</a>	Connector	Boîte à boutons / Push buttons	1
-	<a href="#">833864</a>	Cover	Boîte à boutons / Push buttons	1
=	<a href="#">52741878</a>	Axle module	C16-C20-C25	1

## 4.4) 2 cam rotating limit switch - after 2009

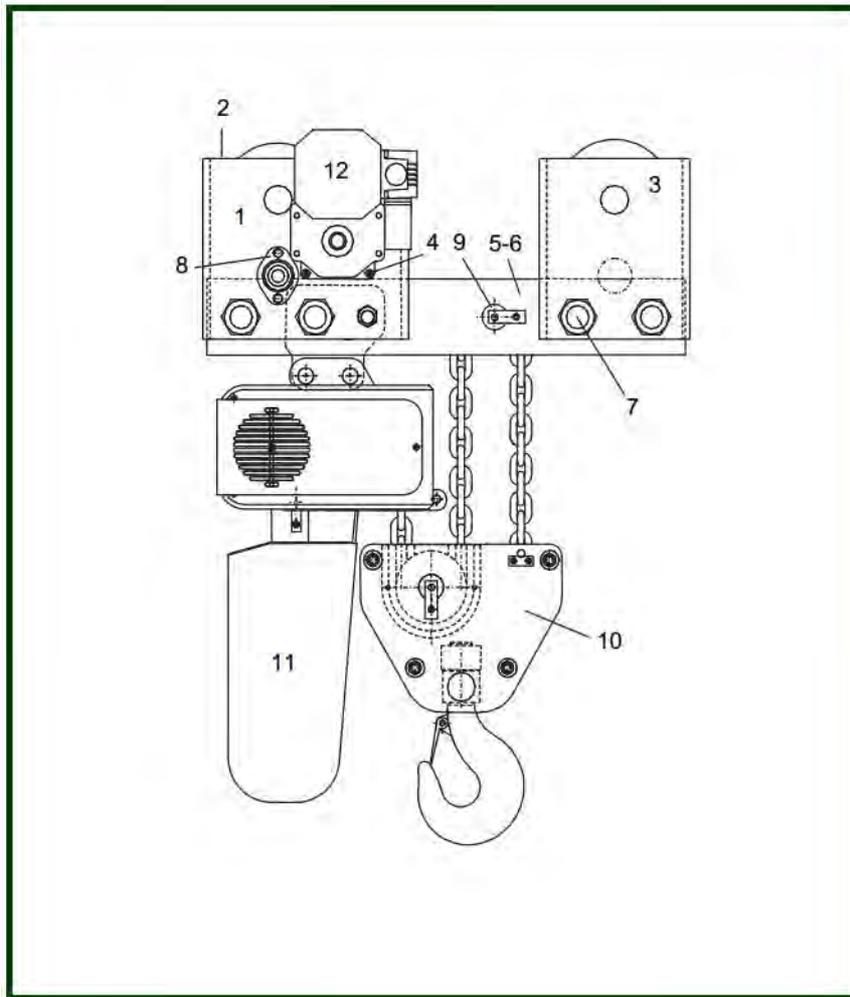
Pour fin de course 4 cames voir chap. 4.3 / Rotating limit switch 4 step, see chap 4.3



item	reference	description	observation	Quantity
1	<a href="#">52343062</a>	Subset box full + Subset rotating limit	380-400-415VAC 48V 50-60Hz	1
2	<a href="#">52343058</a>	Sub axis linkage assembly	Pour fin de course 2 cames - C16 - C20-C25 - Après 2009, avec coffret plastique To rotating limit switch 2 steps, C16 - C20 - C25 - After 2009, with plastic cubicle	1
3	<a href="#">52343055</a>	Pinion - Nut side		1
4	<a href="#">52872585</a>	Subset rotating limit		1
-	<a href="#">7541514Y</a>	Hoisting limit switch	Hauteur de levée / Lift height : 32 m	1

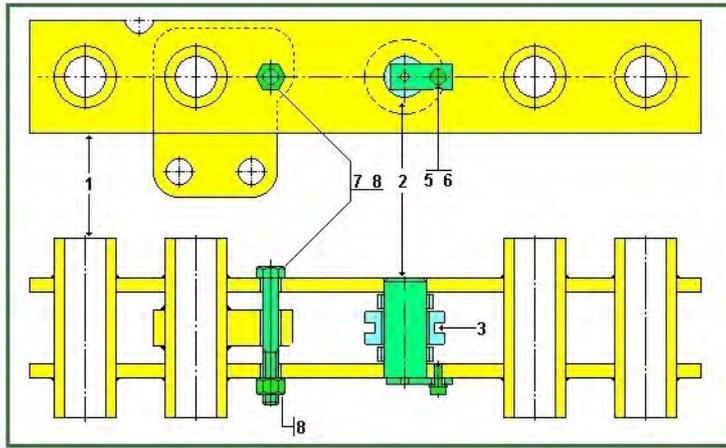
## 5) Electric trolley - Main drawing - 3 falls

MF07



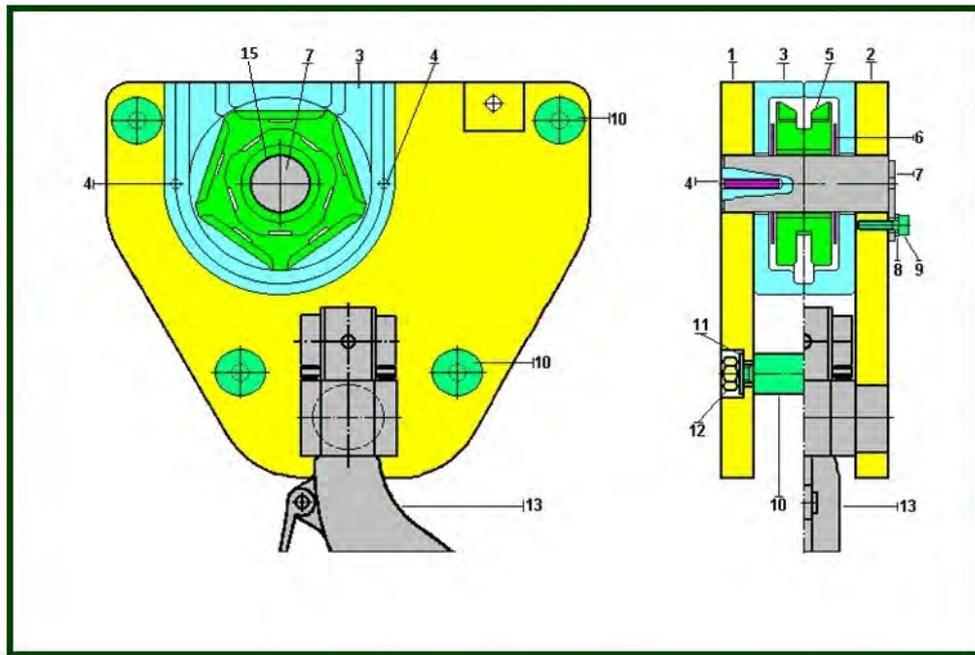
item	reference	description	observation	Quantity
1	<a href="#">550248</a>	Side plate driving side		1
2	<a href="#">550249</a>	Side plate synchro		1
3	<a href="#">550246</a>	Side plate idle		2
4	<a href="#">8011550</a>	Screws		4
5	<a href="#">52287978</a>	Crossmember for girder 130 to 198	Lg 190	1
6	<a href="#">52292082</a>	Crossmember for girder 200 to 300	Lg 300	1
7	<a href="#">52292071</a>	Tie rod + bush + washer 130-138		1
7	<a href="#">52292072</a>	Tie rod + bush + washer 139-150		1
7	<a href="#">52292073</a>	Tie rod + bush + washer 151-189		1
7	<a href="#">52292074</a>	Tie rod + bush + washer 190-197		1
7	<a href="#">52292075</a>	Tie rod + bush + washer 198-200		1
7	<a href="#">52292076</a>	Tie rod + bush + washer 201-249		1
7	<a href="#">52292077</a>	Tie rod + bush + washer 250-299		1
7	<a href="#">52292078</a>	Tie rod + bush + washer 300-310		1
9	<a href="#">2274015</a>	Return wheel assy		1
12	<a href="#">553669</a>	Gearbox	400V	1

## 6) 3 Falls cross member



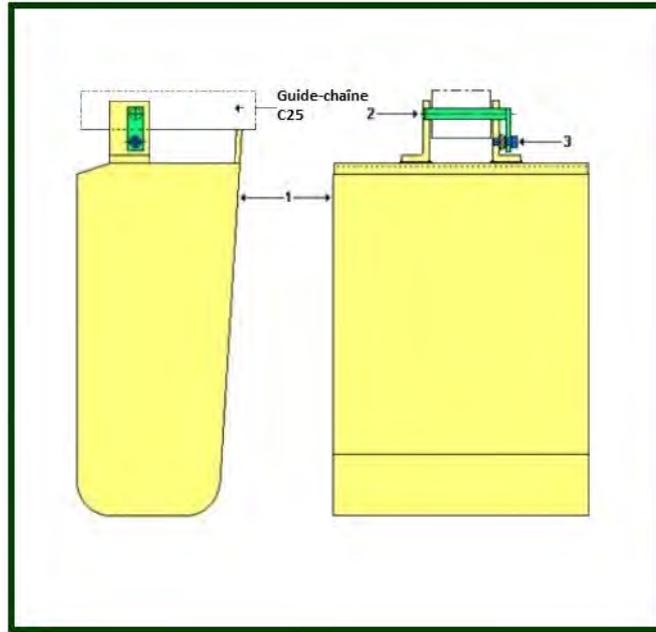
item	reference	description	observation	Quantity
1	<a href="#">52287978</a>	Crossmember for girder 130 to 198	Lg 190	1
1	<a href="#">52292082</a>	Crossmember for girder 200 to 300	Lg 300	1
2	<a href="#">52287983</a>	Return wheel shaft		1
3	<a href="#">2274015</a>	Return wheel assy		1
4	<a href="#">52288051</a>	Bush		1
5	<a href="#">830909</a>	CHC screw M6x20		1
6	<a href="#">832021</a>	Washer plate		1
7	<a href="#">52291833</a>	Screw		1
8	<a href="#">831593</a>	NYLSTOP nut - ø 10		1
-	<a href="#">2267008</a>	Return wheel bush		1

## 7) 3 Falls hookblock



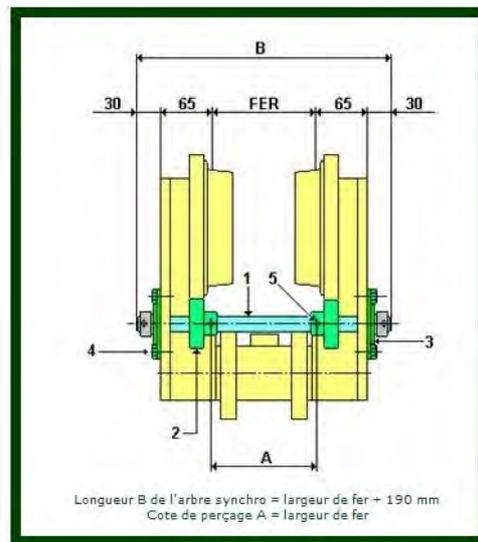
item	reference	description	observation	Quantity
1	<a href="#">52287546</a>	Side plate - Left		1
2	<a href="#">52287545</a>	Side plate - Right		1
3	<a href="#">52292239</a>	Half chain guide		2
4	<a href="#">831616</a>	Dowel		4
5	<a href="#">2274001</a>	Return wheel		1
6	<a href="#">8584225</a>	Washers M36 - 2,5mm	C5	2
7	<a href="#">52287983</a>	Return wheel shaft		1
8	<a href="#">832021</a>	Washer plate		1
9	<a href="#">830909</a>	CHC screw M6x20		1
10	<a href="#">52291844</a>	Hook block bush		4
11	<a href="#">7231122R</a>	Washer MU12		8
12	<a href="#">831594</a>	NYLSTOP nut - M12 - DIN985	PRC1	8
13	<a href="#">52291845</a>	Lower hook block	3 brins / 3 falls - Chaîne / Chain 11.3x31 - 7.5 T	1
14	<a href="#">52315931</a>	Safety catch plate type N°2.5	Après / After 06/99	1
15	<a href="#">2267008</a>	Return wheel bush		1
-	<a href="#">52292235</a>	Hookblock - 3 falls	C25	1

## 8) 3 & 4 falls chain bag



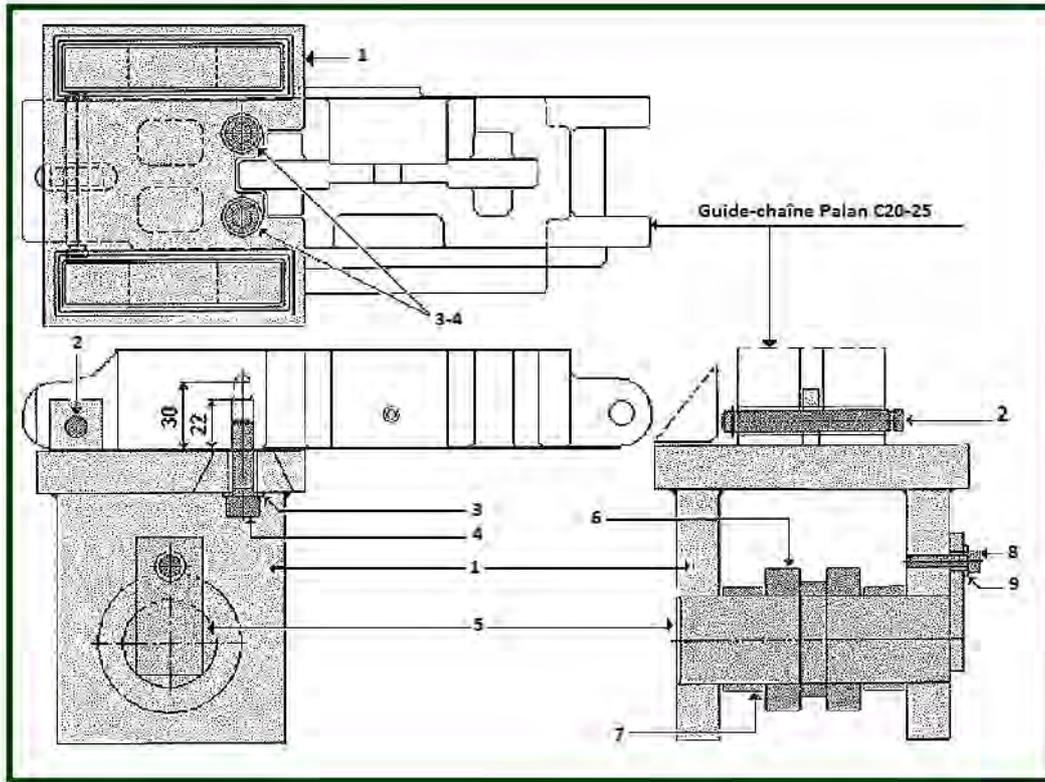
item	reference	description	observation	Quantity
1	<a href="#">52292004</a>	Chain bucket - 3 falls & 4 falls	C20-C25 - 3 brins/falls : 3 m - 4 brins / falls : 6 m	1
1	<a href="#">52293324</a>	Chain bucket - 3 falls & 4 falls	C20-C25 - 3 brins/falls : 9 m - 4 brins / falls : 15 m	1
1	<a href="#">52294886</a>	Chain bucket - 3 falls & 4 falls	C20-C25 - 3 brins/falls : 16 m - 4 brins / falls : 25 m	1
2	<a href="#">52292006</a>	Chain bag suspension shaft		1
3	<a href="#">7215353A</a>	CHC screw 6x16		1

## 9) Synchro assy - 3 falls



item	reference	description	observation	Quantity
1	<a href="#">810306</a>	Synchro shaft		1
2	<a href="#">550250</a>	Synchro pinion		2
3	<a href="#">831785</a>	Synchro bush		2
4	<a href="#">7211454N</a>	Screw		4
5	<a href="#">831617</a>	Washer		2

## 10) Fixing of the pulling wheel



item	reference	description	observation	Quantity
1	<a href="#">52288049</a>	HPR chain guide	C16-20-25	1
2	<a href="#">2273505</a>	Fixe point pin	C25 (Avec son frein d'axe/ with the axle brake)	1
3	<a href="#">832024</a>	AZ washer	PRC2-CPR3 - AZ 10Zn	2
4	<a href="#">830908</a>	Screw	M10x35	2
5	<a href="#">52292479</a>	Return wheel shaft		1
6	<a href="#">2274015</a>	Return wheel assy		1
7	<a href="#">52288050</a>	Return wheel bush		2
9	<a href="#">832021</a>	Washer plate		1
-	<a href="#">52294009</a>	Chain guide subassy for low headroom trolley		1