

Spare parts catalogue for "VL10-XC2"

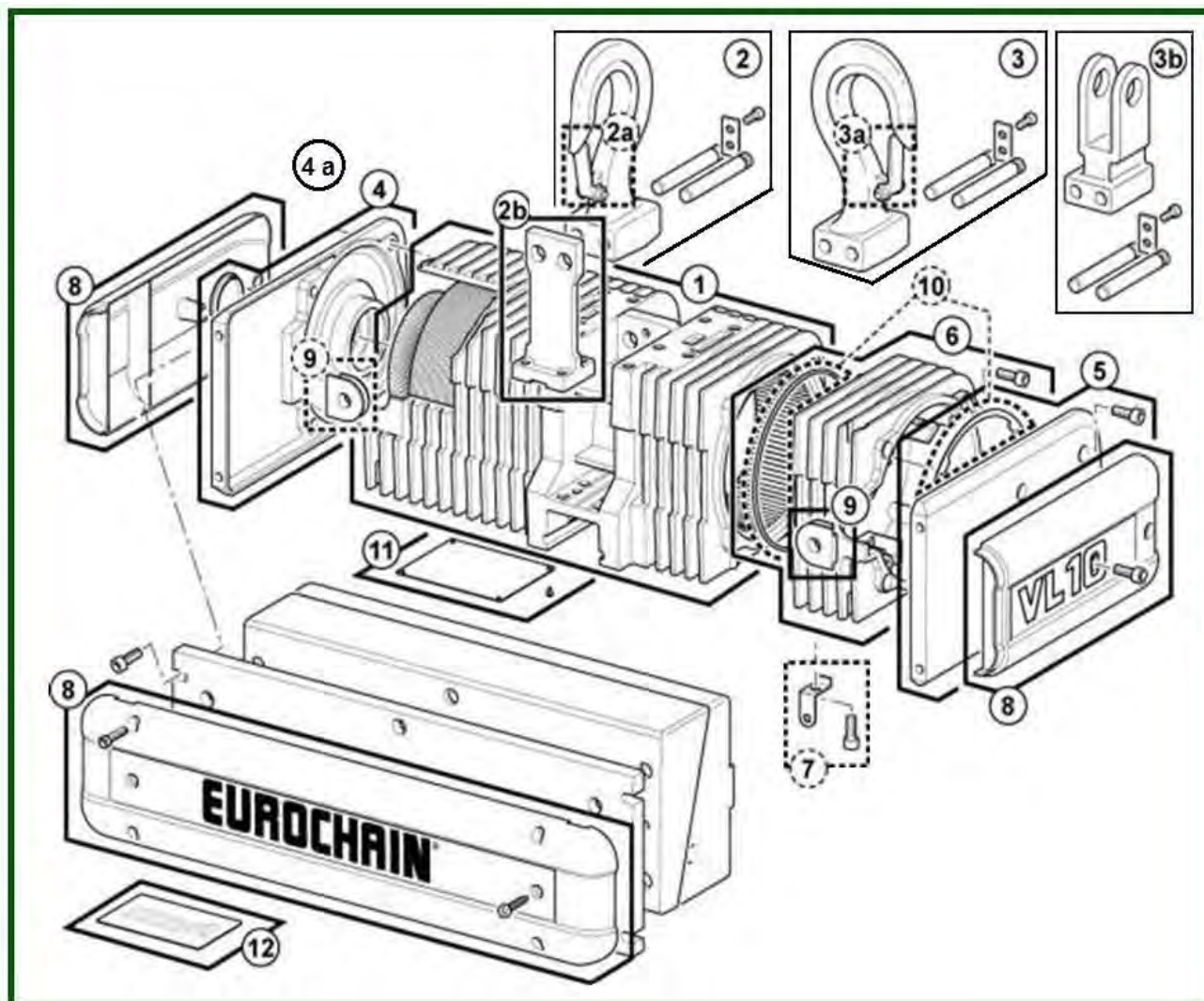
To avoid errors, when ordering please specify:

- Complete type of hoist
- Date of manufacture and serial number
- Spare part code
- Spare part designation
- Additional information



1. HOISTING MOTOR AND CASING	2
2. MECHANISM / BRAKE	5
3. LIFTING ASSEMBLY.....	8
3.1. Precut chain	11
4. ELECTRIC BOX	12
5. UPPER AND LOWER LIMIT SWITCH	15
6. FIN DE COURSE A CAME EXT (OPTION).....	16
6.1. Cam operated limit switch int (option).....	17
7. SWIVELLING TROLLEY – After 2003	18
7.1. From 0 to 3200 Kgs	19
7.2. From 3200 to 5000 Kgs	21
8. LOW HEADROOM TROLLEY WITH TMU MOTOR – After june 2003	23
8.1. Trolley	24
8.2. Coupling cross member & lower suspension.....	25
8.3. Flange adjustment	27
8.4. Travelling machinery.....	30

1. HOISTING MOTOR AND CASING

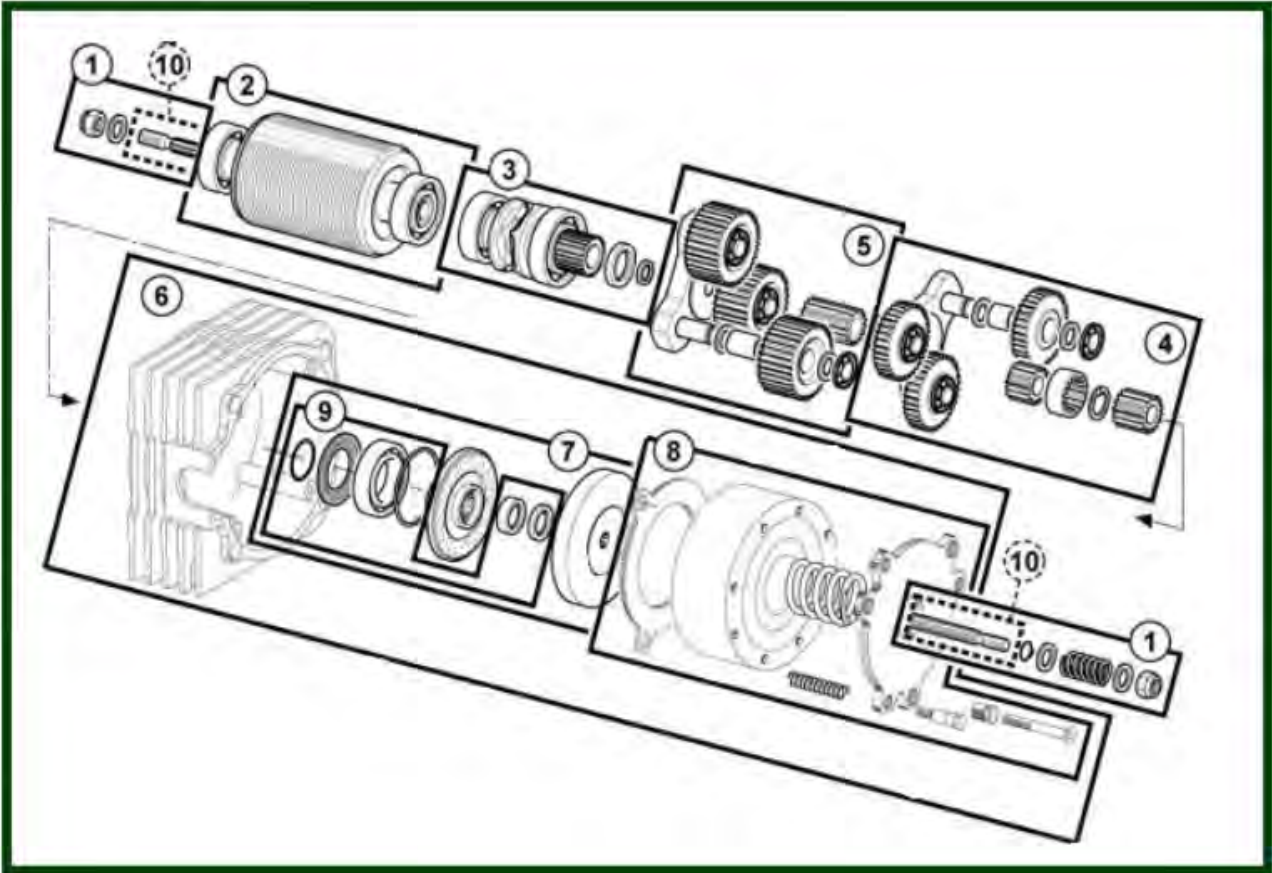


Hoisting motor and casing

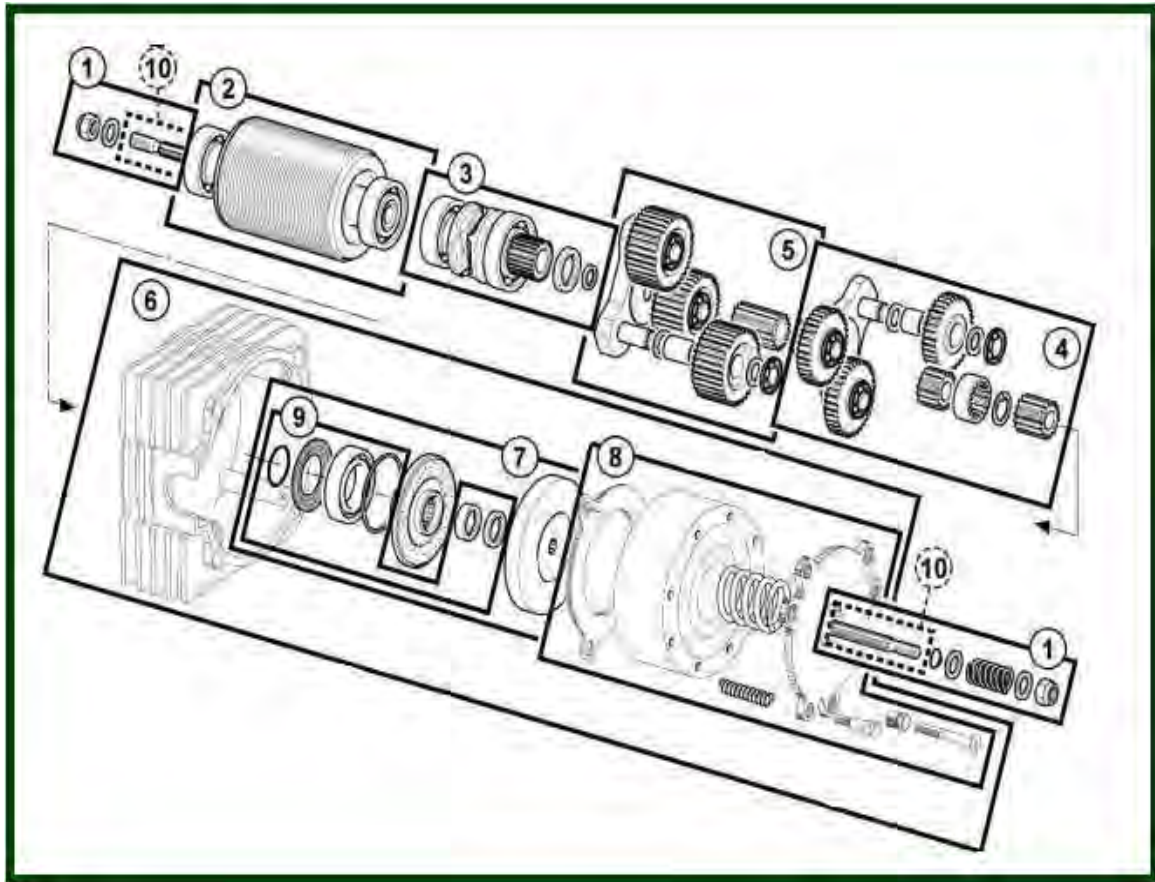
Item	Reference	Description	Observation	Quantity
1	2249974	Housing complete with gear rim and stator 230V 50Hz	1 speed - 4 P	1
1	2249967	Housing complete with gear rim and stator 230V 50Hz	2 speeds - 2 & 8 P	1
1	2249969	Housing complete with gear rim and stator 230V 60Hz	2 speeds - 2 & 8 P	1
1	2249973	Housing complete with gear rim and stator 400V 50Hz - 460V 60Hz	1 speed - 4 P	1
1	2249966	Housing complete with gear rim and stator 400V 50Hz - 460V 60Hz	2 speeds - 2 & 8 P	1
1	2249968	Housing complete with gear rim and stator 400V 60Hz	2 speeds - 2 & 8 P	1
1	2249975	Housing complete with gear rim and stator 500V 50Hz - 575V 60Hz	1 speed - 4 P	1
1	2249970	Housing complete with gear rim and stator 500V 50Hz - 575V 60Hz	2 speeds - 2 & 8 P	1
2	2249955	Suspension hook assembly	Perpendicular mounting	1
2a 3a	2242017	Safety latch - Steel plate	C16 : 1 fall - 1600 kg Suspension hook assembly	1
2b	2242011	Suspension member		1
3	2249954	Hook assembly with axle and screws	Parallel mounting	1
3b	2249920	Suspension bracket assembly with axle and screws	Parallel mounting for electric trolley Perpendicular mounting for CHR manual trolley - Before 2000	1
3b	2249921	Suspension bracket assembly with axle and screws	Perpendicular mounting for electric trolley Parallel mounting for old manual trolley - Before 2000	1
3b	52312841	Suspension bracket assembly with axle and screws	Perpendicular mounting for manual trolley - Since 2000	1
4	2249904	Motor end cap assembly	Only for B-C-D version	1
4a	2218001	Plastic plug - Motor side		1
5	2249903	Brake end cap assembly		1
6	2240011	Brake cap assembly		1
7	2218000	Push button station fixing point		1

Item	Reference	Description	Observation	Quantity
8	<u>2246051</u>	Stickers and covers		1
9	<u>2218004</u>	Cable guide		1
10	<u>2240013</u>	Sealing ring and O-ring for brake cap		1
11	<u>2216520</u>	Motor data plate	Only if serial number provided	1
12	<u>2219920</u>	Set of 10 load plates - Hoist	500 kg	1
12	<u>2219921</u>	Set of 10 load plates - Hoist	630 kg	1
12	<u>2219922</u>	Set of 10 load plates - Hoist	1000 Kg	1
12	<u>2219929</u>	Set of 10 load plates - Hoist	1250 kg	1
12	<u>2219923</u>	Set of 10 load plates - Hoist	1600 kg	1
12	<u>2219924</u>	Set of 10 load plates - Hoist	2000 kg	1
13	<u>2249550</u>	Rain cover		1

2. MECHANISM / BRAKE



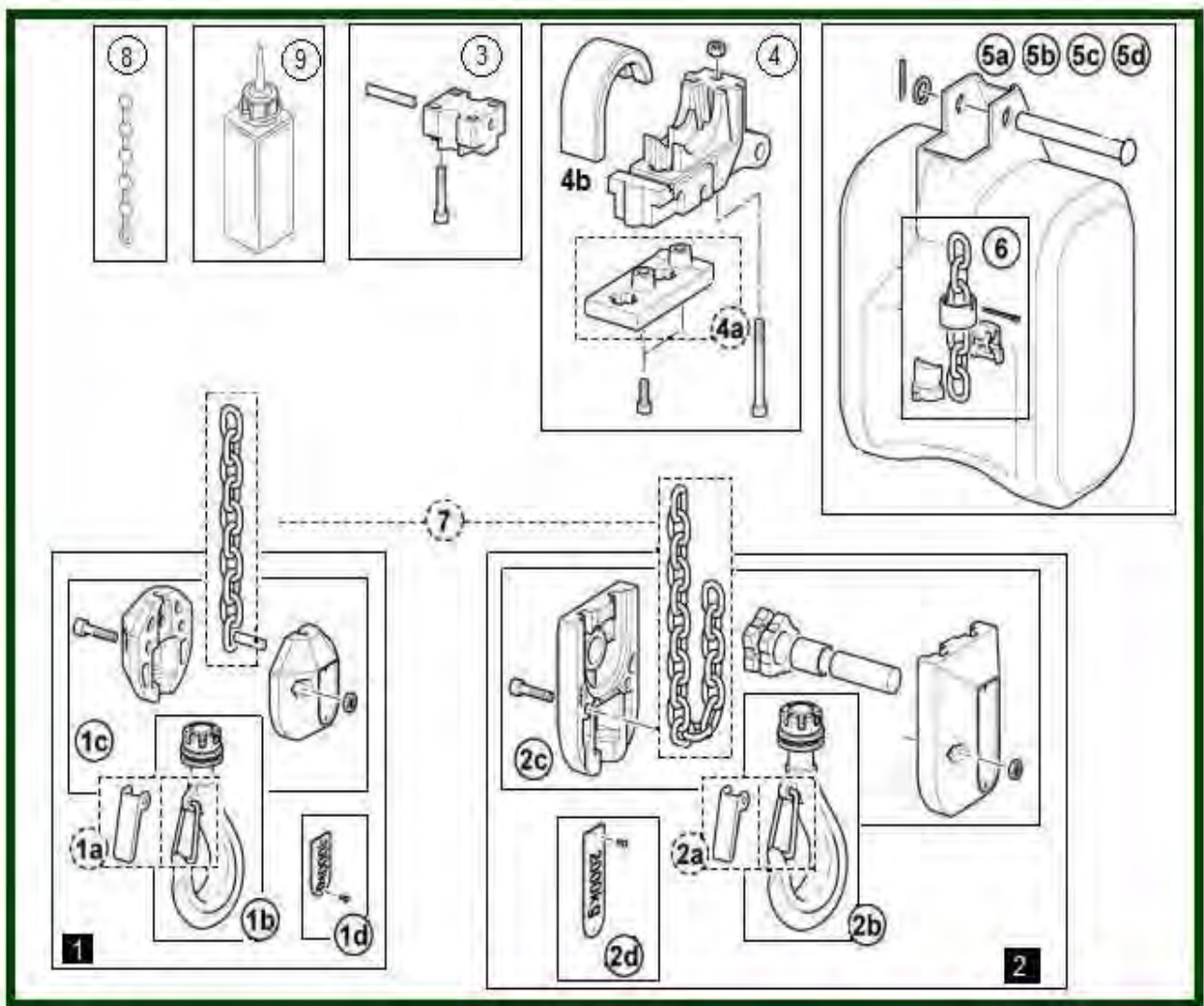
Mechanism / Brake



Mechanism / Brake

Item	Reference	Description	Observation	Quantity
1	2249940	Limiter spring with motor shaft		1
2	2245025	Rotor assembly	1 & 2 speeds	1
3	2249941	Chain sprocket assembly		1
4	2249937	Planetary gear train - 1st step		1
5	2249938	Planetary gear train - 2nd step	8 m/min	1
5	2249951	Planetary gear train - 2nd step	16 m/min	1
6	2241073	Complete brake assembly with brake cap	100VDC 230VAC	1
6	2241074	Complete brake assembly with brake cap	190VDC 400VAC	1
6	2241072	Complete brake assembly with brake cap	230VDC 500V 575VAC	1
7	2249972	Limiter friction assembly		1
8	2248000	Complete brake	100VDC 230VAC	1
8	2248001	Complete brake	190VDC 400VAC	1
8	2248003	Complete brake	230VDC 500V 575VAC	1
8	52313463	Complete brake	330VDC 690VAC	1
9	2240012	Set of seals for brake cap		1
10	2241501	Three motor		1

3. LIFTING ASSEMBLY



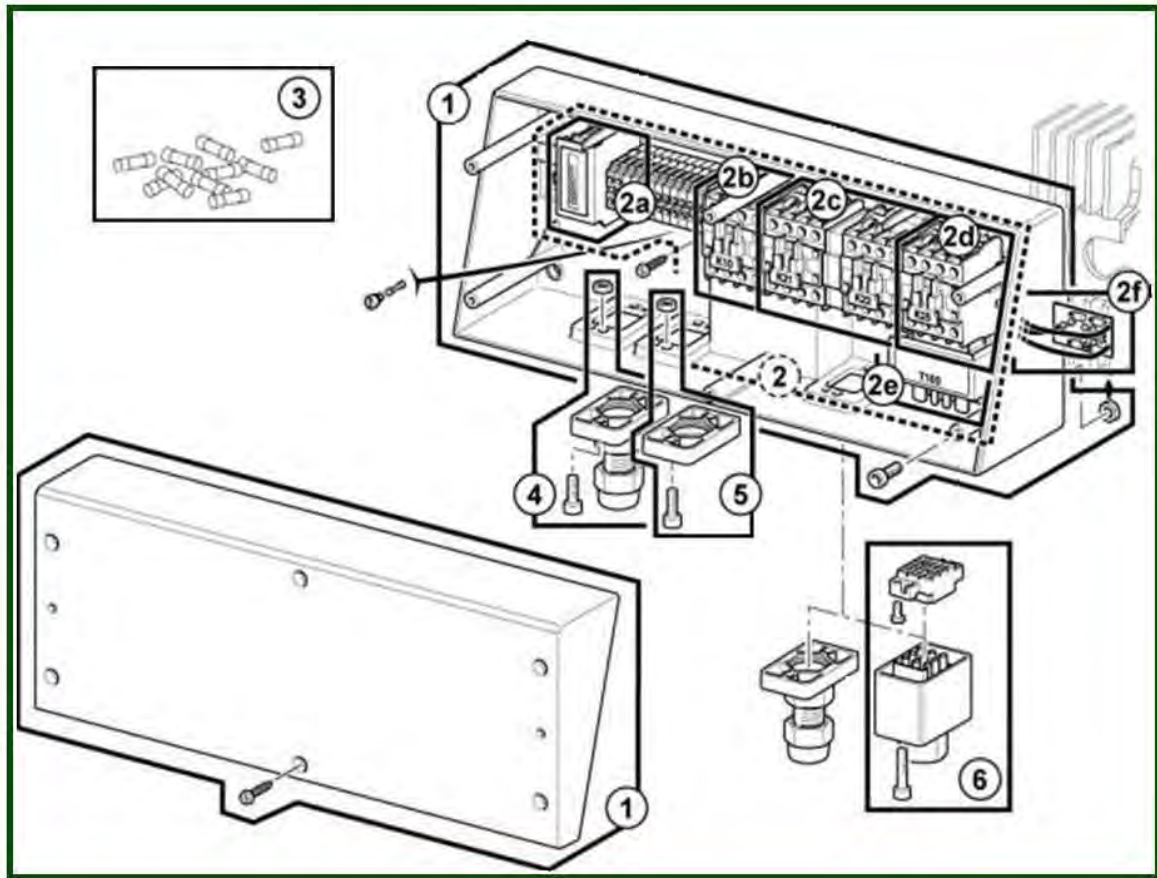
Item	Reference	Description	Observation	Quantity
1	2242018	Lifting hook block - Self locking type	1 fall	1
1	52371858	Lifting hook block - Stainless steel type	1 fall - 500 kg-1Bm	1
1	52371859	Lifting hook block - Stainless steel type	1 fall - 500 kg-2m & 630 kg-1Bm	1
1	2249905	Lower hook block assy	1 fall - Short - Long	1
1a	2212017	Safety latch - Steel plate type - 025T	C10 : 1 fall C05 : 2 falls Since 2000	1
1a	A001515	Safety latch - Steel wire type - 025 or 012	1000 kg – 1 & 2 falls	1
1a	52727572	Safety latch - Stainless steel - 1 fall		1
1b	2247015	Lifting hook - Self locking type	C06 : 2 falls - C10 : 1 fall	1
1b	52370688	Stainless steel lifting hook block	500kg-1Bm/2m C06 : 2 falls - C10 : 1 fall	1
1b	52370689	Stainless steel lifting hook block	630kg-1Bm C06 : 2 falls - C10 : 1 fall	1
1b	2217004	Lifting hook - Standard type - 025T	C05 : 2 falls - C10 : 1 fall	1
1c	2249976	Set of 2 half-casings with axle and screws		1
1d	2249995	Set of 10 load plates	500 Kg	1
1d	2219939	Set of 10 load plates	630 kg	1
1d	2219914	Set of 10 load plates	1000 kg	1
1d	2249980	Set of 10 load plates - 1 fall	800 Kg	1
2	2242028	Lifting hook block - Self locking type	2 falls	1
2	52371860	Lifting hook block - Stainless steel type	630kg-2m & 1000kg-1Bm - 2 falls	1
2	52371861	Lifting hook block - Stainless steel type	1 250 kg-1Bm - 2 falls	1
2	2249906	Lifting hook block - Standard type	2 falls	1
2a	A001513	Safety latch - Steel wire type	C10 : 2 falls - C16 : 1 fall 1600 Kg	1
2a	2242017	Safety latch - Steel plate type	C16 : 1 fall - 1600 kg Accrochage inférieur	1
2b	2242021	Hook	C05 - C10 : 2 falls C16 : 1 fall Chain 9x27	1
2b	2267015	Hook - Automatique	C10 : 2 falls - C16 : 1 fall Chain 9x27	1
2b	52370690	Stainless steel lifting hook block	1250 kg-1Bm - 2 falls	1
2b	52370691	Hook - Inox - 1 fall	Chain 9x27 630 kg-2m & 1 000kg-1Bm	1
2c	2249978	Set of 2 half-casings with axle, return sprocket and screws axe, noix et visserie		1

2d	<u>2249996</u>	Set of 10 load plates - 2 falls	500 Kg	1
2d	<u>2249990</u>	Set of 10 load plates - 2 falls	630 Kg	1
2d	<u>2219915</u>	Set of 10 load plates - 2 falls	1000 Kg	1
2d	<u>2219936</u>	Set of 10 load plates - 2 falls	1250 Kg	1
2d	<u>52729984</u>	Set of 10 load plates - 2 falls	1500 Kg	1
2d	<u>2219959</u>	Set of 10 load plates - 2 falls	1600 Kg	1
2d	<u>2219916</u>	Set of 10 load plates - 2 falls	2000 Kg	1
2d	<u>2249996</u>	Set of 10 load plates - 2 falls	500 Kg	1
2d	<u>2249990</u>	Set of 10 load plates - 2 falls	630 Kg	1
2d	<u>2219915</u>	Set of 10 load plates - 2 falls	1000 Kg	1
2d	<u>2219936</u>	Set of 10 load plates - 2 falls	1250 Kg	1
2d	<u>52729984</u>	Set of 10 load plates - 2 falls	1500 Kg	1
2d	<u>2219959</u>	Set of 10 load plates - 2 falls	1600 Kg	1
2d	<u>2219916</u>	Set of 10 load plates - 2 falls	2000 Kg	1
3	<u>2243523</u>	Chain anchor assembly	2 falls	1
3a	<u>2243521</u>	Axe point fixe		1
4	<u>2242060</u>	Upper and lower chain guide assembly with rubber buffer		1
4a	<u>2244008</u>	Rubber buffer		1
4b	<u>2244011</u>	Upper chain guide	Chain 6.8x17.8	1
5a	<u>2249925</u>	Chain bucket	C05 : 16 m - C10 : 8 m	1
5b	<u>2249926</u>	Chain bucket	C05 : 30 m - C10 : 16 m	1
5c	<u>2249932</u>	Chain bucket	C05 : 50 m - C10 : 30 m	1
5d	<u>2249933</u>	Chain bucket	50 m	1
5e	<u>2211036</u>	Chain bucket for windmill	C05 : 80 m - C10 : 50 m	1
6	<u>2249942</u>	Slack fall stop assembly		1
7	<u>2243500V</u>	Galvanized load chain - 6.8x17.8	HDL + 1,5M - Short & Long	1
7	<u>2243501</u>	Black load chain - 4.8x12.5	Only for cyberhoist	1
7	<u>2243502V</u>	Stainless load chain		1
8	<u>2241045</u>	Load chain mounting tool		1
9	<u>9995008</u>	Oil can- 125 ml	For C-P-K hoist	1

3.1. Precut chain

Item	Reference	Description	Observation	Quantity
	<u>53020011</u>	Galvanized load chain 6.8x17.8	7 mètres	1
	<u>53020020</u>	Galvanized load chain 6.8x17.8	8,5 mètres	1
	<u>53020017</u>	Galvanized load chain 6.8x17.8	8 mètres	1
	<u>53020037</u>	Galvanized load chain 6.8x17.8	9 mètres	1
	<u>53020039</u>	Galvanized load chain 6.8x17.8	10 mètres	1
	<u>53020041</u>	Galvanized load chain 6.8x17.8	11 mètres	1
	<u>53020047</u>	Galvanized load chain 6.8x17.8	12 mètres	1
	<u>53020094</u>	Galvanized load chain 6.8x17.8	13 mètres	1
	<u>53020100</u>	Galvanized load chain 6.8x17.8	15 mètres	1
	<u>53020105</u>	Galvanized load chain 6.8x17.8	20 mètres	1
	<u>53020106</u>	Galvanized load chain 6.8x17.8	100 mètres	1

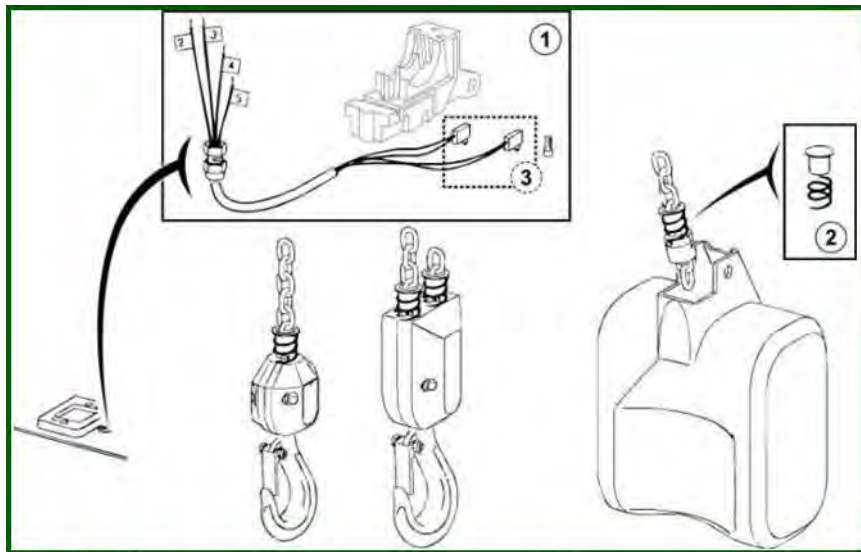
4. ELECTRIC BOX



Item	Reference	Description	Observation	Quantity
1	<u>2249965</u>	Electric cubicle (lid, cover, and screws)		1
2	<u>833098</u>	Rectifier Direct voltage	230 & 400 V Steel cubicle automotive	1
2	<u>833096</u>	Rectifier Direct voltage	500 V E type hoist only	1
2	<u>2243006</u>	Cubicle equiped - 2HS + 2TS + On/Off	400V 50&60Hz 48VAC	1
2	<u>2243033</u>	Printed circuit board - 2-speed hoist and travel + On/Off	230V 50&60Hz 48VAC	1
2	<u>2243034</u>	Printed circuit board - 2-speed hoist and travel + On/Off	400V 50&60Hz 48VAC	1
2	<u>2243003</u>	Printed circuit board - 2-speed hoisting + On/Off	230V 50&60Hz 48VAC	1
2	<u>2243004</u>	Printed circuit board - 2-speed hoisting + On/Off	400V 50&60Hz 48VAC	1
2	<u>2243011</u>	Printed circuit board - 2-speed hoisting + On/Off	400V 50&60Hz 115VAC	1
2	<u>2243009</u>	Printed circuit board - 2-speed hoisting + On/Off	460V 60Hz 48VAC	1
2	<u>2243002</u>	Printed circuit board - 2-speed hoisting + On/Off	500V 50&60Hz 48VAC	1
2	<u>2243016</u>	Printed circuit board - 2-speed hoisting + On/Off	575V 60Hz 115VAC	1
2	<u>2243005</u>	Printed circuit board - 2-speed hoisting + On/Off	575V 60HZ 48VAC	1
2	<u>2243018</u>	Printed circuit board - 2-speed hoisting + On/Off Reconnectable	230V-460V 60Hz 115VAC	1
2	<u>2243017</u>	Printed circuit board - 2-speed hoisting + On/Off Standard	230V-460V 60Hz 115VAC	1
2a	<u>2213002</u>	Time counter	50Hz - 48vac	1
2a	<u>2213027</u>	Time counter	60Hz - 48vac	1
2a	<u>2213028</u>	Time counter	60Hz - 115vac	1
2b	<u>7983051</u>	Emergency stop contactor K10	48VAC	1
2b	<u>7983055</u>	Emergency stop contactor K10	115VAC	1
2c	<u>7983052</u>	Reversing contactor K21 or K22 (coef.1)	48VAC	1
2c	<u>7983056</u>	Reversing contactor K21 or K22 (coef.2)	115VAC	1
2d	<u>7983053</u>	Selecting contactor K25	48VAC	1
2d	<u>7983057</u>	Selecting contactor K25	115VAC	1
2e	<u>7983023</u>	Transformer	230V 50 60Hz - 48vac	1
2e	<u>833639</u>	Transformer	230V-400V 50&60Hz48VAC 63VA	1
2e	<u>7983026</u>	Transformer	230V/460V 60Hz 115 vac	1
2e	<u>7983021</u>	Transformer	400V 50 60Hz - 48vac	1

2e	<u>7983029</u>	Transformer	400V 50 60Hz - 115vac	1
2e	<u>7983025</u>	Transformer	460V 50 60Hz - 48vac	1
2e	<u>7983022</u>	Transformer	500V 50 60Hz - 48vac	1
2e	<u>7983027</u>	Transformer	575V 60Hz - 115vac	1
2e	<u>7983024</u>	Transformer	575V 50 60Hz - 48vac	1
2f	<u>2243060</u>	Rectifier 230-400-460-500-575V	C05 - C25 Standard hoist or stagemaker E type hoist (direct voltage)	1
2f	<u>2243061</u>	Rectifier reconnectable 230-460V	C05 - C25 – Only USA	1
3	<u>2249979</u>	Set of 10 fuses	48V	1
3	<u>52330744</u>	Set of 10 fuses	115V	1
4	<u>2249947</u>	Cable gland assembly		1
5	<u>2219814</u>	Plug cover set		1
6	<u>2249945</u>	Push button station plug set	Male + female X23 - X22	1
6	<u>2249946</u>	Trolley plug set	Male + female X23 - X22	1
6	<u>2249982</u>	Power supply plug	Female plug X23 - X22	1
-	<u>7983061</u>	Emergency Stop contactor	48V - Since june 2003	1
-	<u>7983062</u>	K21 or K22 contactor	48V - Since june 2003	1
-	<u>7983063</u>	K25 contactor	48V - Since june 2003	1

5. UPPER AND LOWER LIMIT SWITCH



Montage / Assembly

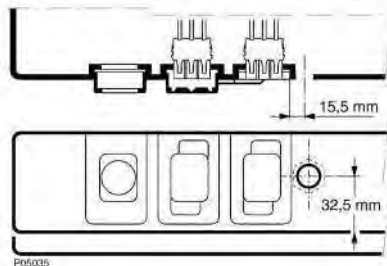
La butée de fin de course haut et bas se monte à la place de la butée caoutchouc (rep. 4a).

The limit switch is mounted in the place of the rubber buffer (rep. 4a).

Les vis CHc sont remplacées par des vis P90 M 6x30. The Chc screws are replaced by P90 M 6x30 screws.

Perçer le coffret électrique d'un trou Ø 16mm, suivant les côtes indiquées sur le dessin.

Drill the hole for the cable gland (PG) to the electric cubicle according to the drawing.



ATTENTION !

Débrancher l'alimentation électrique avant toute intervention sur le coffret.

Cut off the mains power supply before doing any work on the electric cubicle.

Prendre garde de ne pas détériorer un élément de la platine pendant le perçage.

Take care not to damage any electrical components when drilling.

Placer le presse-étoupe, la tête hexagonale de celui-ci doit être bloquée par le bord de l'empreinte de prise encliquetable.

Insert the PG into the hole you have drilled, the side of the nut should be against the side of the nearby fast plug connector to avoid the nut's turning when tightening.

Faire passer les fils électriques par le presse-étoupe et suivre les indications portées sur ceux-ci pour les brancher aux bornes de la platine, à la place des shunts.

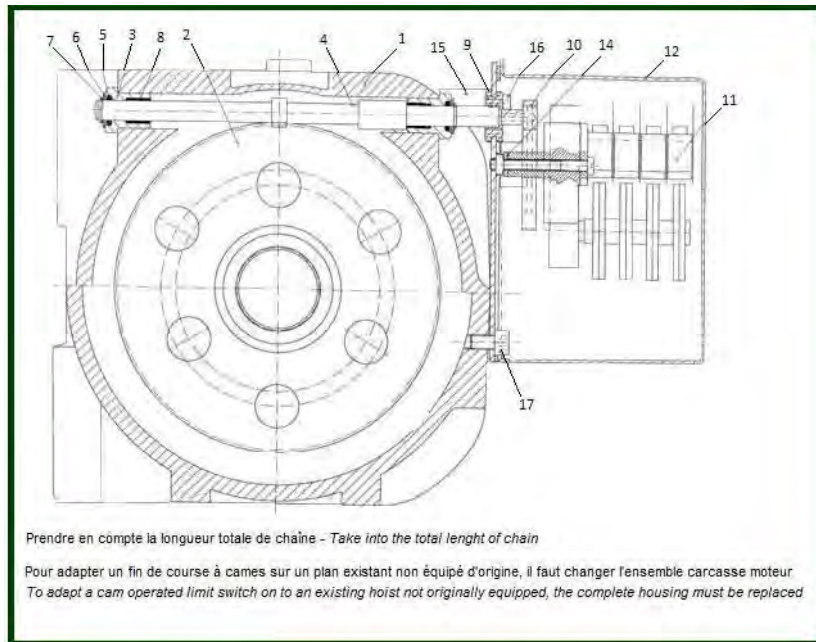
Pass the cables through the PG and follow the markings on them to connect the cables to the shunt on the PCB board.

2 - 3 : Fin de course haut / Upper Limit

4 - 5 : Fin de course bas / Lower Limit

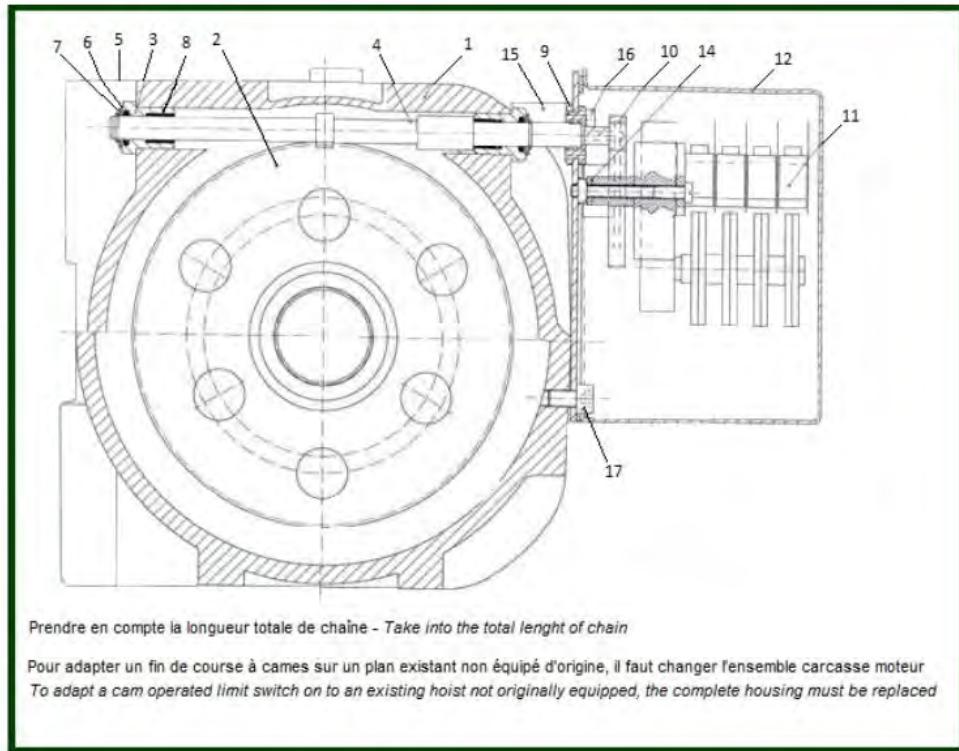
Item	Reference	Description	Observation	Quantity
1	2242061	Micro-switches assembly & lower chain guide		1
1+2	2243050	Micro-switches assembly & spring & lower chain guide		1
2	2241068	Spring assembly + support	Set of 3	1
3	7291040	Micro-switch - CSA type	Before 12/2005	2
3	7291030	Micro-contact standard	Before 12/2005	2
3	52326175	Micro-contact standard & CSA	After 12/2005	1
	52329084	Limit switch assembly	After 12/2005	1

6. FIN DE COURSE A CAME EXT (OPTION)



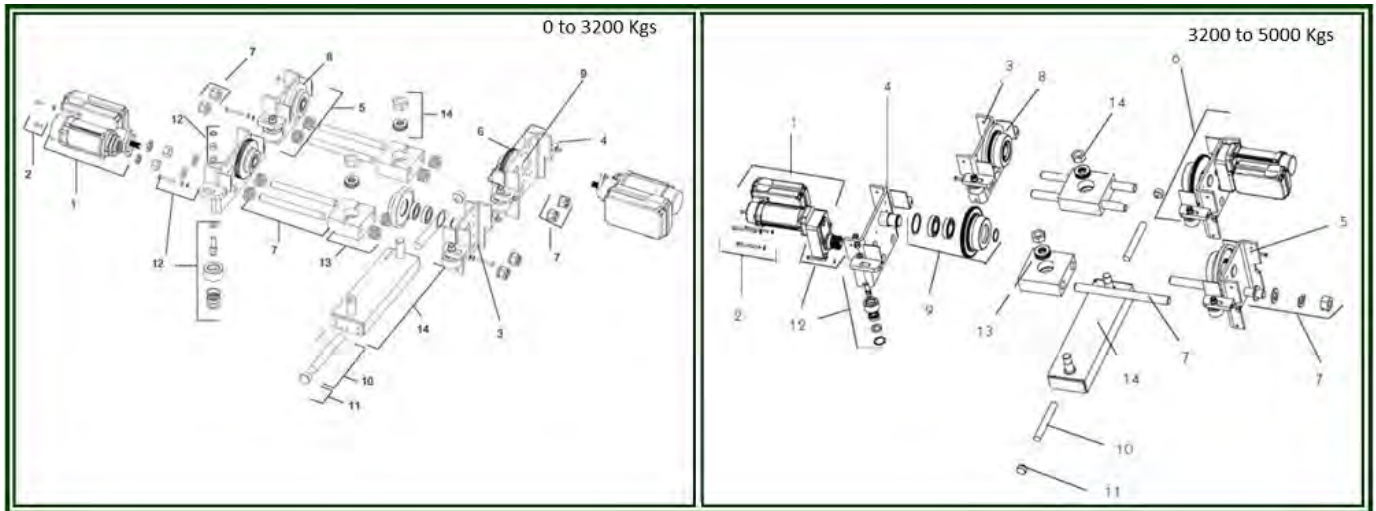
Item	Reference	Description	Observation	Quantity
2	2249071	Planet gear support		1
10	2249075	Pinion - 24 teeth		1
-	52304656	Bush assembly	8+3	1
-	52304655	Shaft assembly	4+5+6+7	1
-	2249045	Enclosure assembly	9+12+13+15+16+17+18+19	1
A	2249076	2 cam limit switch 0 to 10m	10+11+14	1
A	2249077	4 cam limit switch 0 to 10m	10+11+14	1
A	2249078	2 cam limit switch > 10m	10+11+14	1
A	2249079	4 cam limit switch >10m	10+11+14	1

6.1. Cam operated limit switch int (option)

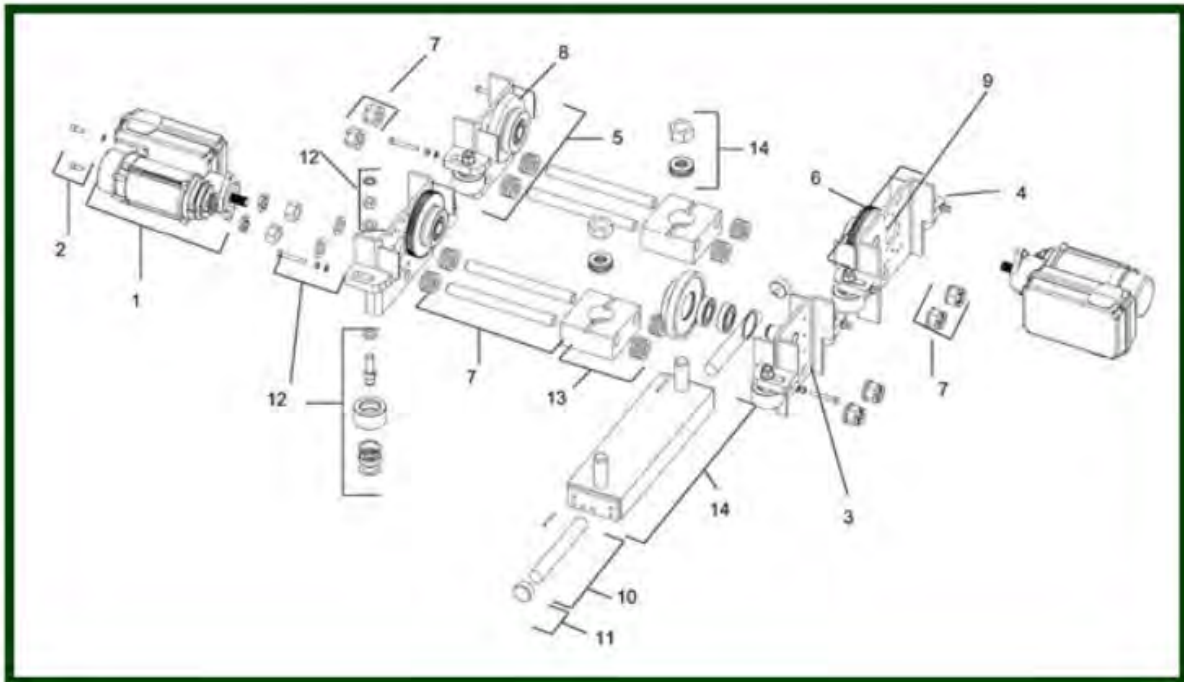


Item	Reference	Description	Observation	Quantity
2	2249071	Planet gear support		1
10	2249075	Pinion - 24 teeth		1
-	52304656	Bush assembly	8+3	1
-	52392457	Shaft assembly	4+5+6+7	1
-	2243010	Electric cubicle (lid, cover, and screws) metal		1
A	2249076	2 cam limit switch 0 to 10m	10+11+14	1
A	2249077	4 cam limit switch 0 to 10m	10+11+14	1
A	2249078	2 cam limit switch > 10m	10+11+14	1
A	2249079	4 cam limit switch >10m	10+11+14	1

7. SWIVELLING TROLLEY – After 2003



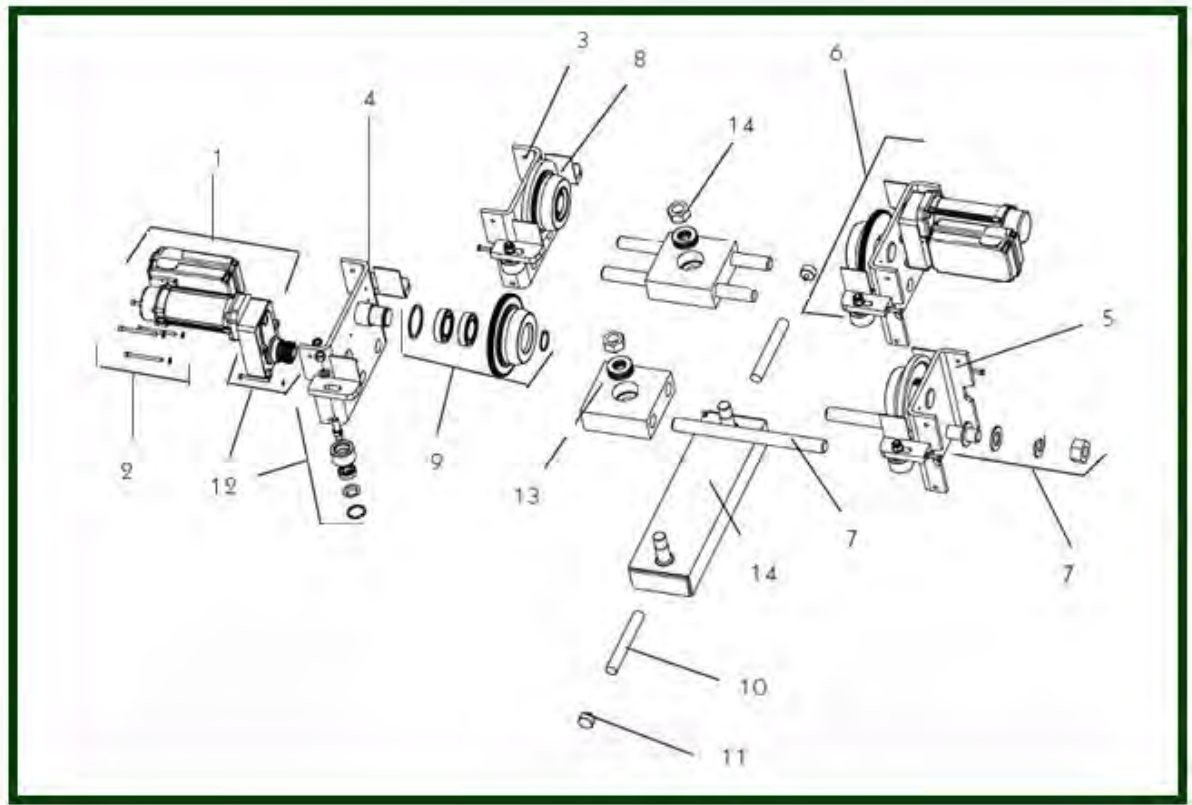
7.1. From 0 to 3200 Kgs



From 0 to 3200 Kgs

Item	Reference	Description	Observation	Quantity
1	52304882	TMU motor 400V 48V-0.3Kw	<3200kg <5000kg - Short & long - C10	2
1	52299089	TMU motor 400V 48V-0.15Kw	C01 trolley only Load <= 1000 kg	2
1	52299090	TMU motor 400V 115V-0.3Kw	C01 trolley only Load <= 1000 kg	2
1	52304881	TMU motor 400V 115V-0.3Kw / 5T	Load > 1000kg	2
2	52311193	Motor fixing screw and washer	Short & long	4
3	52299591	Travel wheel beam + axle	TMU	2
4	52299593	Travel wheel beam + axle	TMU	2
5	52299598	Side plate (free)		2
6	52299599	Side plate (drive) motor		2
7	556966	Tie rod 66 to 110 mm		1
7	556967	Tie rod 113 to 170 mm		1
7	556968	Tie rod 178 to 240 mm		1
7	556969	Tie rod 248 to 310 mm		1
8	558928	Travel wheel idler without shaft	<3200kg - C3 Ø 100x150 mm - Standard	2
9	558929	Travel wheel driving - 99 teeth	<3200kg - C3 Ø 100x150 mm - Standard	2
10	556962	Buffer extension		2
11	558993	Bumper	<3200kg <5000kg	2
12	4501211W	Roller guide set		8
13	5502103X	Crosshead only		2
14	52314816	Coupling cross bar set	C05	1
14	52314817	Coupling cross bar set	C10	1
	52306470	Cubicle		1

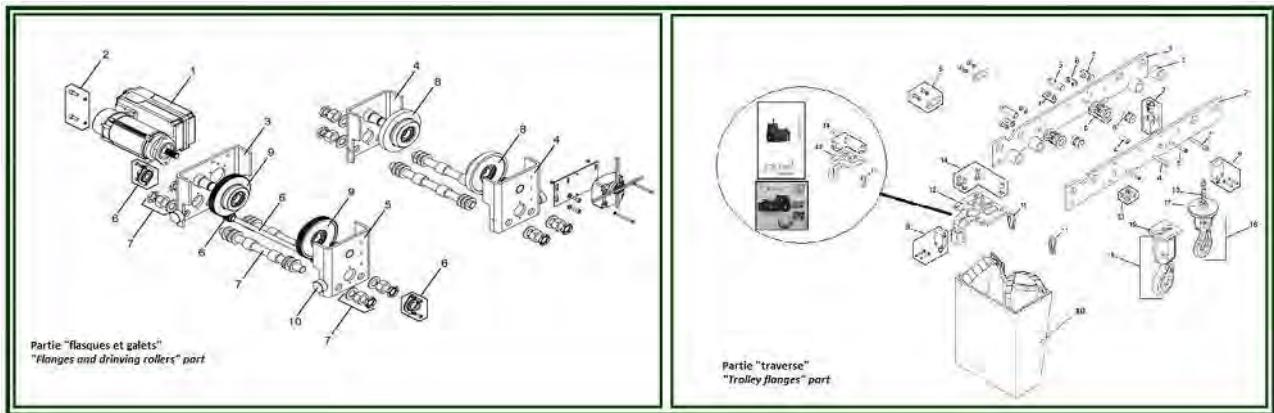
7.2. From 3200 to 5000 Kgs



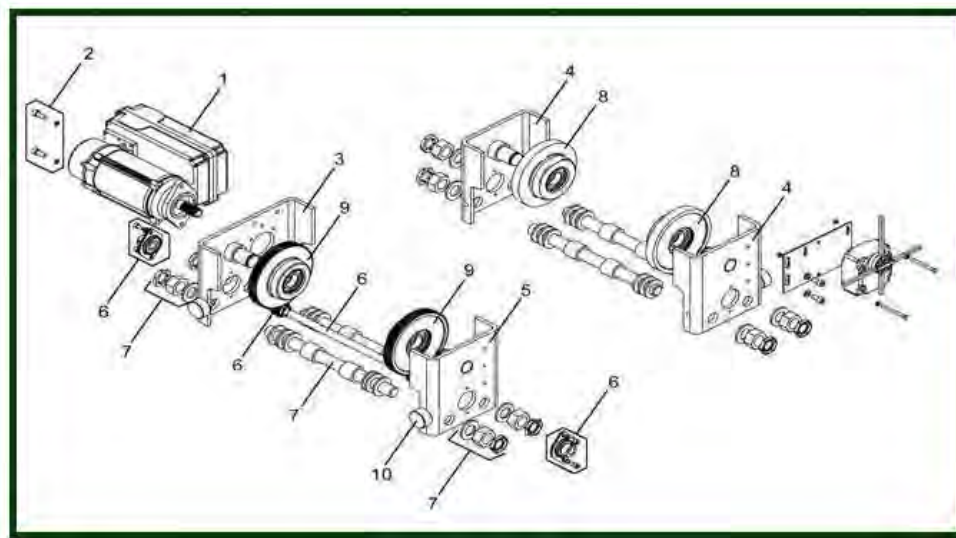
From 3200 to 5000 Kgs

Item	Reference	Description	Observation	Quantity
1	52332076	Motor 400V / 48V / 50 Hz		2
1	52328891	Motor 400V / 115V / 50 Hz		2
2	VT0001271	Screw + washer fixing motor		8
3	52330358	Travel wheel beam + axle		2
4	52330360	Travel wheel beam + axle		2
5	52330361	Side plate (free)		2
6	52330362	Side plate (drive) motor		2
7	52333038	Tie rod 100 to 149 mm		4
7	52333039	Tie rod 150 mm		4
7	52333040	Tie rod 151 to 199 mm		4
7	52333042	Tie rod 200 to 222 mm		4
7	52333044	Tie rod 223 to 249 mm		4
7	52333045	Tie rod 250 to 299 mm		4
7	52333046	Tie rod 300 to 310 mm		4
8	52330352	Complete idle wheel		2
9	52330355	Complete driving wheel		2
10	556962	Buffer extension		2
11	558993	Bumper	C2-C3-C5	2
12	4501211W	Roller guide set		8
13	5512106V	Crosshead only		2
14	556970	Coupling cross bar set		1

8. LOW HEADROOM TROLLEY WITH TMU MOTOR – After june 2003

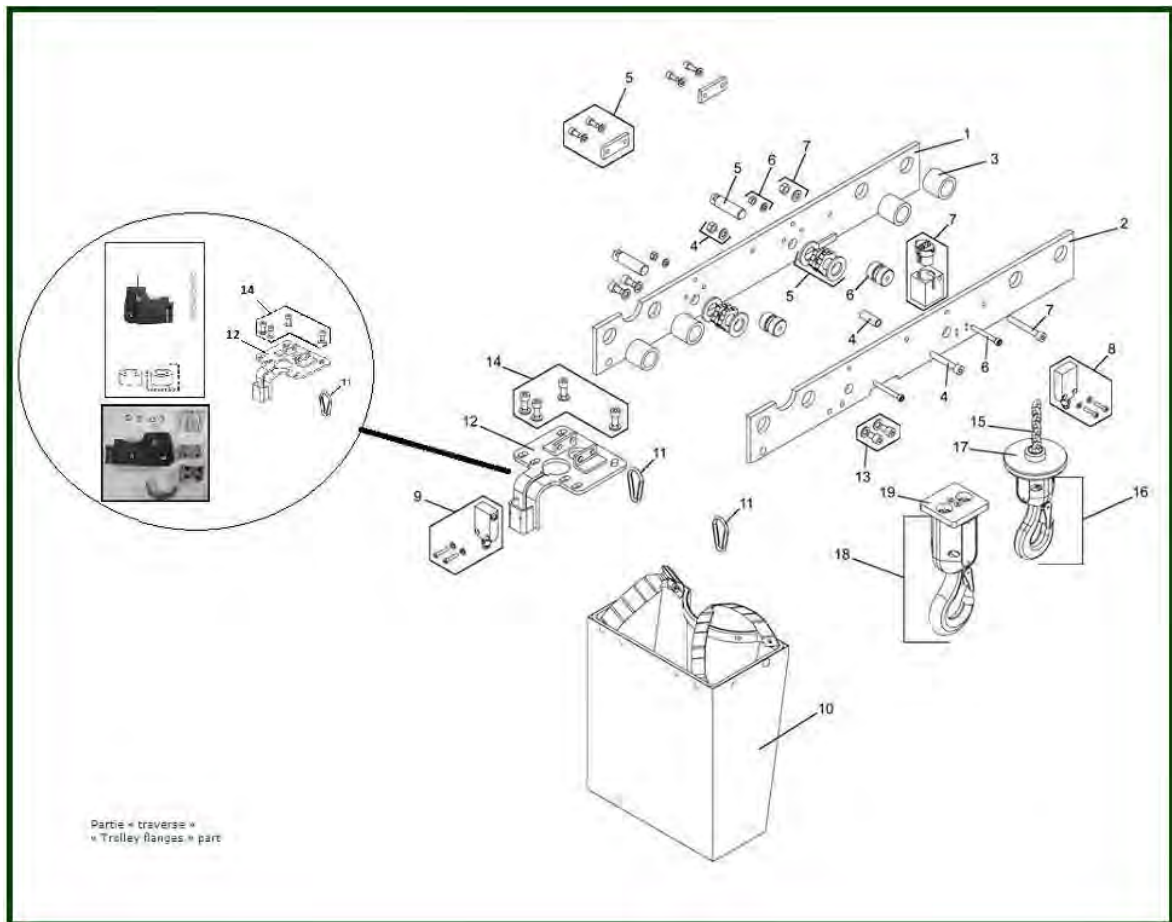


8.1. Trolley



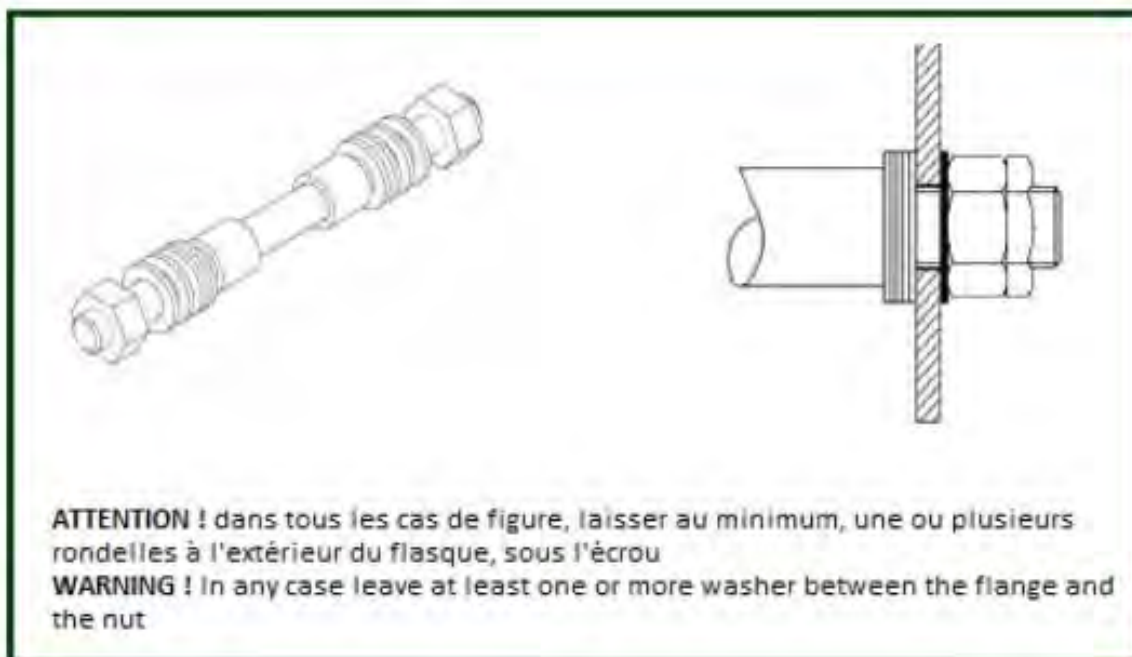
Item	Reference	Description	Observation	Quantity
1	52304881	TMU motor 400V 115V-0.3Kw / 5T	Load > 1000kg	1
1	52304882	TMU motor 400V 48V-0.3Kw	<3200kg <5000kg - Short & long - C10	1
2	52311193	Motor fixing screw and washer	Short & long	2
3	52299590	Motor side flange + welded shaft	Short & long	1
4 & 5	52299589	Synchro flange + welded shaft	Gear side flange (item 4) => Qty : 2 Synchro flange (item 5) => Qty : 1 Short & long	1
6	52311194	Shaft assembly	Short & long	1
7	556902	Kit rod	58 to 110 mm	1
7	556903	Kit rod	113 to 170 mm	1
7	556904	Kit rod	178 to 240 mm	1
7	556905	Kit rod	248 to 310 mm	1
8	558928	Travel wheel idler without shaft	<3200kg	2
9	558929	Travel wheel driving - 99 teeth	<3200kg	2
10	558993	Bumper	<3200kg <5000kg	4
	601805	Limit switch trigger	1 for 1 step - 2 for 2 step	1

8.2. Coupling cross member & lower suspension



Item	Reference	Description	Observation	Quantity
1	<u>2244502</u>	Motor crosshead	Court	1
1	<u>2244512</u>	Motor crosshead	Long	1
2	<u>2244501</u>	Idle crosshead	Court	1
2	<u>2244511</u>	Idle crosshead	Long	1
3	<u>558968</u>	Spacer tube - Ø 35 mm	C2 - Short & Long	4
4	<u>556938</u>	Spacer tube - Ø 12 mm	Long	3
5	<u>52304653</u>	Return sprocket assembly	Short & Long	2
6	<u>52311199</u>	Diabolo set	Short=> Qty : 1 - Long => Qty : 2	1
7	<u>2244506</u>	Chain anchor assembly	Short & Long	1
8 & 9	<u>52311200</u>	Limit switch set		1
10	<u>52386341</u>	Chain bucket	C5 : 40 m - C10 : 20 m	1
10	<u>52333407</u>	Chain bucket - 20 m	C10 - Short & Long - Version A Since May 2006	1
11	<u>830870</u>	Chain bucket fixing	Short - Long	2
12	<u>52333628</u>	Hoist support plate + lower plastic guide	Short & Long	1
13	<u>52311201</u>	Fixing set	Court-Long	1
14	<u>52311202</u>	Hoist fixing set	Court-Long	1
15	<u>2243500V</u>	Galvanized load chain 6.8x17.8	HDL + 1,5M - Short & Long	1
16	<u>2249905</u>	Lower hook block assy	1 fall - Court-Long	1
17	<u>557939</u>	Counterweight for hook - 1 fall	Short & Long	1
18	<u>52387611</u>	Lower hook block assy - 2 falls	Short & Long	1
	<u>52324133</u>	Triggering washer	C10 HPR – Lower GLS	1
	-	Brake with fittings	Not supplied anymore replaced by 52309591	1

8.3. Flange adjustment



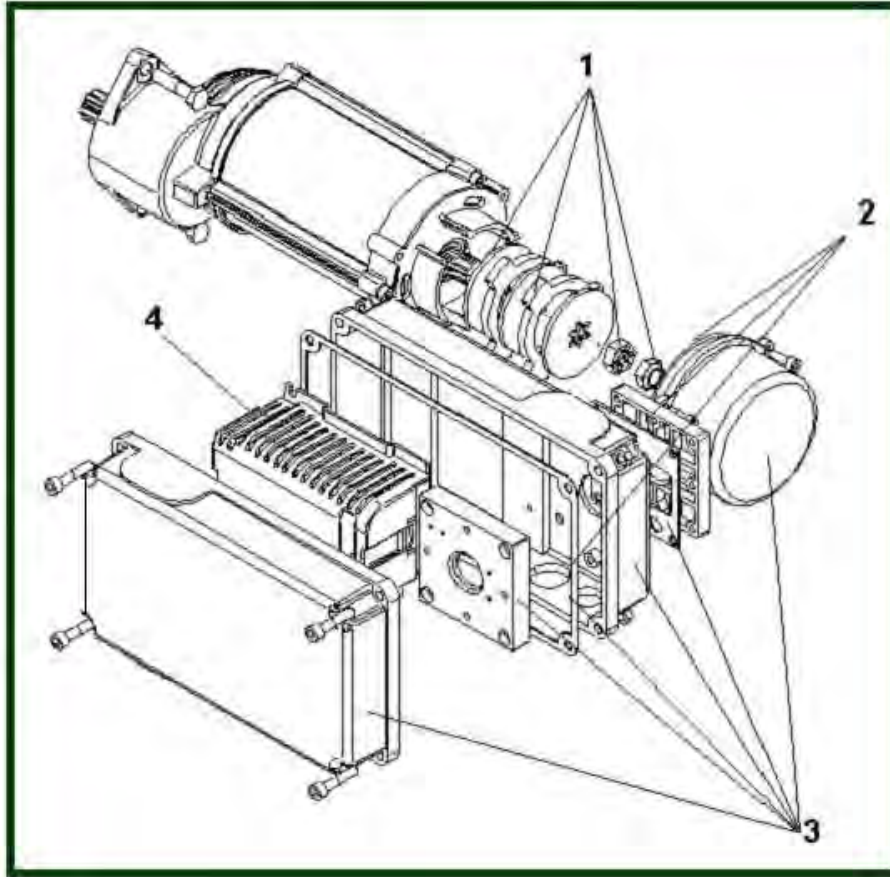
Largeur de fer	Longueur des tirants M24	Quantité + longueur des bagues de réglage*	Quantité de rondelle*	
			ep 4 mm	ep 2mm
58	260mm	2 x32mm	2	2
64			4	1
66			4	2
72			6	1
73			6	2
74			6	2
81			8	2
82			8	2
89			10	2
90			10	2
91			10	3
98			12	2
100			12	3
106			14	2
108			14	3
110			16	0

Largeur de fer	Longueur des tirants M24	Quantité + longueur des bagues de réglage*	Quantité de rondelle*	
			ep 4 mm	ep 2mm
113	325mm	4 x 32mm	0	1
118			2	0
119			2	0
120			2	1
125			2	3
126			4	0
131			4	2
133			6	0
135			6	1
137			6	1
140			6	3
143			8	0
146			8	2
147			8	3
149			8	3
150			10	0
155			10	2
158			12	0
160			12	1
166			14	0
168	14	1		
170	14	2		
178	390 mm	2 x 96 mm + 2 x32 mm	0	2
180			0	3
185			2	1
186			2	2
188			2	3
190			4	0
198			6	0
200			6	1
206			8	0
210			8	2
215			10	0
218			10	2
220			10	3
226			12	2
240			16	1

Largeur de fer	Longueur des tirants M24	Quantité + longueur des bagues de réglage*	Quantité de rondelle*	
			ep 4 mm	ep 2mm
248	460 mm	2 x 96 mm + 2 x 32 mm	2	1
260			4	3
268			6	3
280			10	1
288			12	1
300			14	3
302			16	0
303			16	1
304			16	1
305			16	2
306			16	2
307			16	3
308			16	3
309			18	0
310			18	0

- Quantité de rondelles à répartir de chaque côté du tirant
- The amount of washers must be balanced on each side

8.4. Travelling machinery



Item	Reference	Description	Observation	Quantity
1	52296293	Brake repair set	M06-001V	1
2	52300292	Sealing set	M06-008V	1
3	52300291	Terminal box	M06-007V	1
4	52300287	Inverter 48 V + filter	M06-003V	1
4	52300288	Inverter 115 V + filter	M06-004V	1
-	52297959	Connection cable	CCGCELCP-04	1
-	52304881	TMU motor 400V 115V-0.3kw / 5T	Load > 1000kg	1
-	52304882	TMU motor 400V 48V-0.3kw	<3200kg <5000kg Short & long- C10	1
-	52297191	Reducer	GEL105PT1B0	1