



Spare parts catalog for "VL01-XCA"

To avoid errors, when ordering please specify:

- Complete type of hoist
- Date of manufacture and serial number
- Spare part code
- Spare part designation
- Additional information



0) HOIST DESCRIPTION

1) HOISTING MOTOR AND CASING

1.1) Specific items part for single phased hoist

2) MECHANISM /BRAKE

2.1) Specific items part for single phased hoist

3) LIFTING ASSEMBLY

3.1) Precut chain

4) LHT TROLLEY - VL1/XCA

4.1) Travelling machinery - Before 2004

4.2) Travelling machinery - After 2004

4.3) Adjustment of flanges for hoist 125 kg - 1 fall

5) ELECTRIC BOX

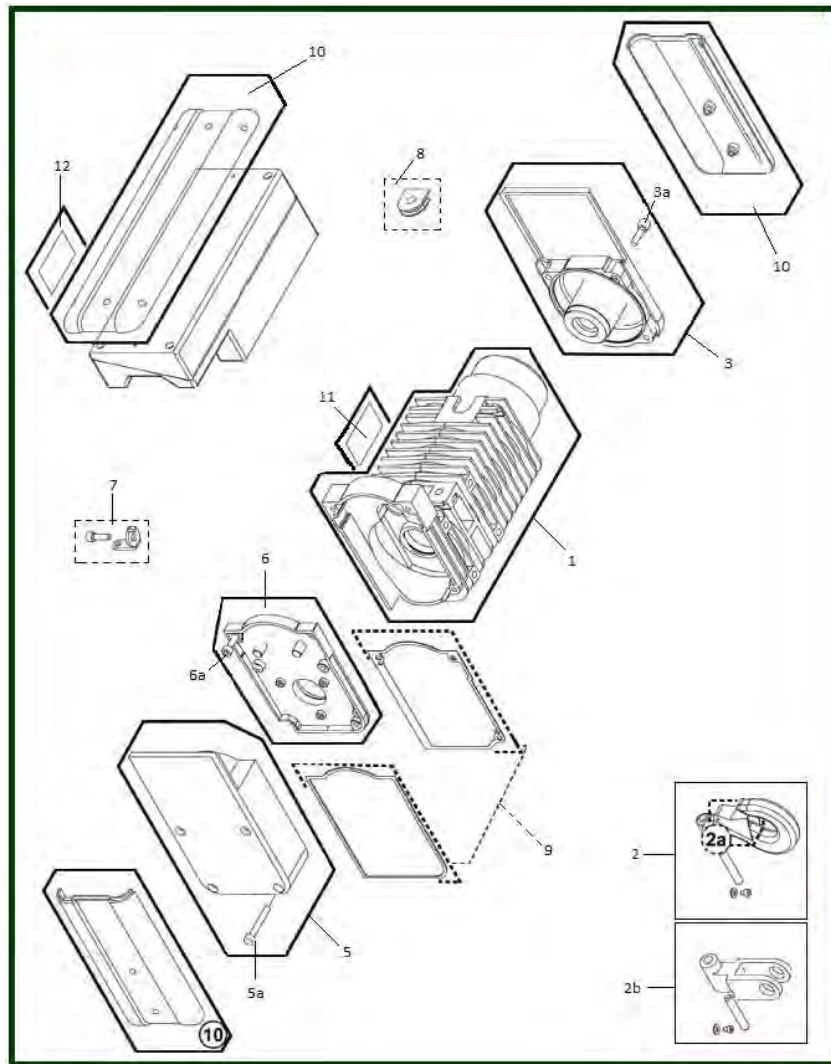
5.1) Specific items part for single phased hoist

6) CAM OPERATED LIMIT SWITCH - OPTION

0) Hoist description

DESCRIPTION							
CAPACITE DE CHARGE KG	EUROCHAIN CHAINLEC	NOMBRE DE BRINS	CHAINE PAS MM	VITESSE DE LEVAGE M/MM	PUISSANCE MOTEUR DE LEVAGE KW	MONO VITESSE	BI VITESSE
60	VLI-XCA 016 B1	1	3.1 x 9.3	16/4	0.2/0.05		X
	VLI-XCA 060 B2	1	3.1 x 9.3	8/2	0.2/0.05		X
80	VLI-XCA 080 B2	1	3.1 x 9.3	8/2	0.2/0.05		X
125	VLI-XCA 128 B1	1	3.1 x 9.3	8/2	0.2/0.05		X
	VLI-XCA 124 B2	2	3.1 x 9.3	4/1	0.2/0.05		X
250	VLI-XCA 254 B1	2	3.1 x 9.3	4/1	0.2/0.05		X

1) Hoisting motor and casing



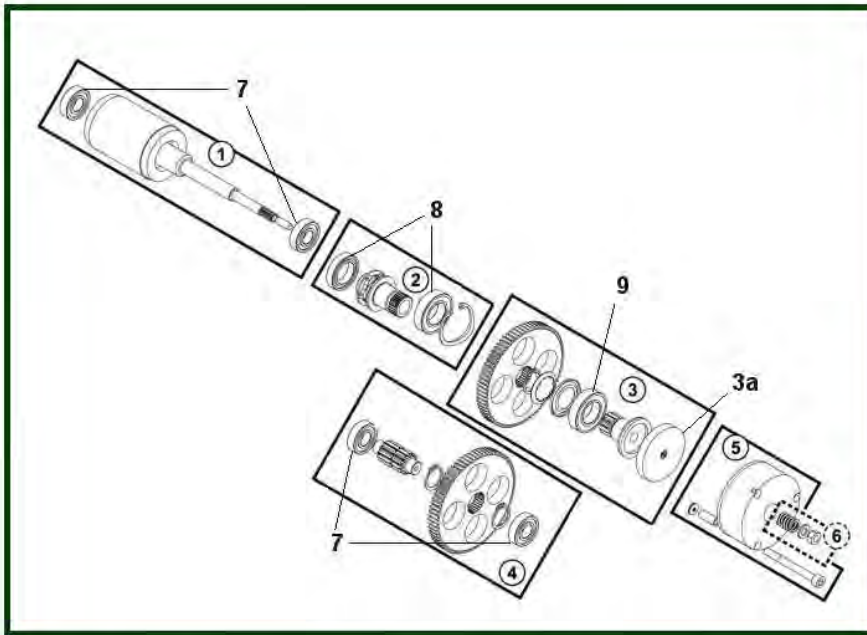
item	reference	description	observation	Quantity
1	2218051	Casing assembled with stator - 2 speeds	230V - 50Hz - 3Ph - 2/8 poles	1
1	2218050	Casing assembled with stator - 2 speeds	400-460V - 50 60Hz - 3Ph - 2/8 poles	1
1	2218053	Casing assembly with stator	230V 60Hz	1
1	2218052	Casing assembly with stator	400V 60Hz	1
1	2218054	Casing assembly with stator	500-575V - 50Hz 60Hz	1
2	2218060	Standard upper hook assembly	Type A jusqu'à Décembre 2007 / Type A up to Dec. 2007	1
2a	2212016	Safety latch - Steel	Crochet supérieur - 1brin / Upper hook - 1 fall	1
2b	2218061	Suspension bracket assembly - Perpendicular mounting		1
2c	52316209	Suspension ring assembly - Perpendicular mounting	Pour chariot manuel / For manual trolley	1
3	2218055	Motor end cap assembly		1
3a	550979	CHC screw 6x25		4
5	2218056	Brake cover set		1
5a	52253667	Screw CHC 6x55mm		4
6	2218057	Brake mounting flange assembly		1
6a	7215353A	CHC screw 6x16		4
7	2218000	Push button station fixing point		1
8	2218004	Grommet		1
9	2218058	Gearbox seal and brake casing seal		1
10	2218071	Stickers and covers	VL01	1
11	2216520	Motor data plate	N° de série obligatoire / Only if serial number provided	1
12	2219938	Set of 10 load plates	125 kg	1

12	<u>2219917</u>	Set of 10 load plates	160 kg	1
12	<u>2219918</u>	Set of 10 load plates	250 kg	1
12	<u>2219898</u>	Set of 10 load plates - Hoist	60 kg	1
12	<u>2219899</u>	Set of 10 load plates - Hoist	80 kg	1
-	<u>2218070</u>	Rain cover		1

1.1) Specific items part for single phased hoist

item	reference	description	observation	Quantity
1	<u>52315878</u>	Hoisting motor 115V 60Hz-1PH-4P-1800 tr/min	Pieces spécifiques monophasées Specific items part for single phased hoist	1
1	<u>52315877</u>	Hoisting motor 230V 50Hz-1PH-4P-1500 tr/min	Pieces spécifiques monophasées Specific items part for single phased hoist	1
1	<u>52315876</u>	Hoisting motor 230V/50Hz-1PH-2P-3000 tr/min	Pieces spécifiques monophasées Specific items part for single phased hoist	1
1	<u>52315875</u>	Hoisting motor 230V/60Hz-1PH-2P-3600 tr/min	Pieces spécifiques monophasées Specific items part for single phased hoist	1
1	<u>52315879</u>	Hoisting motor 230V/60Hz-1PH-4P-1800 tr/min	Pieces spécifiques monophasées Specific items part for single phased hoist	1
10	<u>52292875</u>	Marking and cover set - C01	Pieces spécifiques monophasées Specific items part for single phased hoist	1

2) Mechanism / Brake



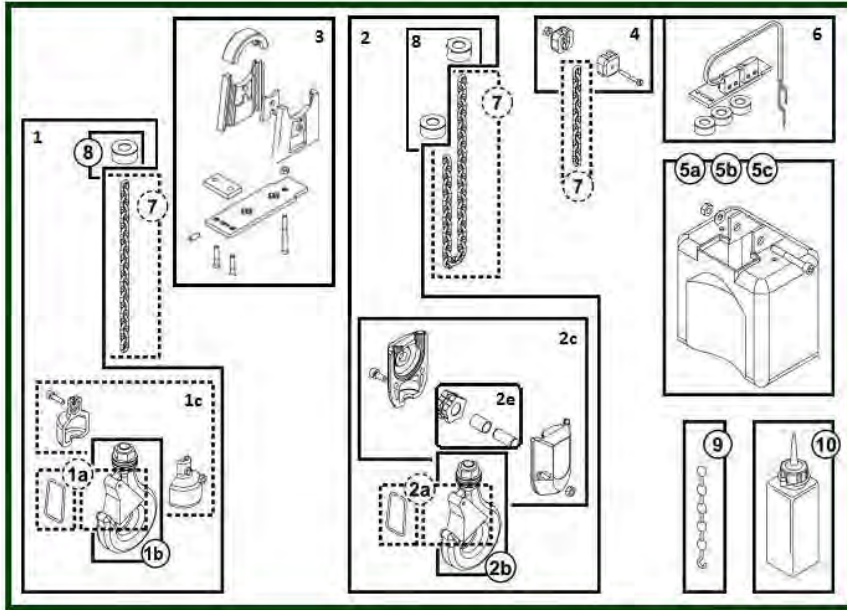
ATTENTION : Toutes les vis démontées doivent être remplacées par de la visserie standard
 WARNING : Any screws removed must be replaced by standard screws

item	reference	description	observation	Quantity
1	2218040	Rotor assembly		1
2	2218041	Chain sprocket assembly		1
3	2218042	Friction disc assembly for limiter		1
3a	52253656	Friction disc		1
4	2218043	Complete gear step		1
5	2218031	Complete brake	100V / 230V	1
5	2218030	Complete brake	190V / 400V	1
5	2218032	Complete brake	230V / 500V / 575V	1
6	2218044	Limiter spring assembly		2
7-8-9	52309505	Casing bearing set		1

2.1) Specific items part for single phased hoist

item	reference	description	observation	Quantity
1	<u>52303646</u>	Rotor assembly for 2 poles motor 3000 tr/min	Pieces spécifiques monophasées Specific items part for single phased hoist	1
1	<u>52315094</u>	Rotor assembly for 4 poles motor 1500 tr/min	Pieces spécifiques monophasées Specific items part for single phased hoist	1

3) Lifting Assembly

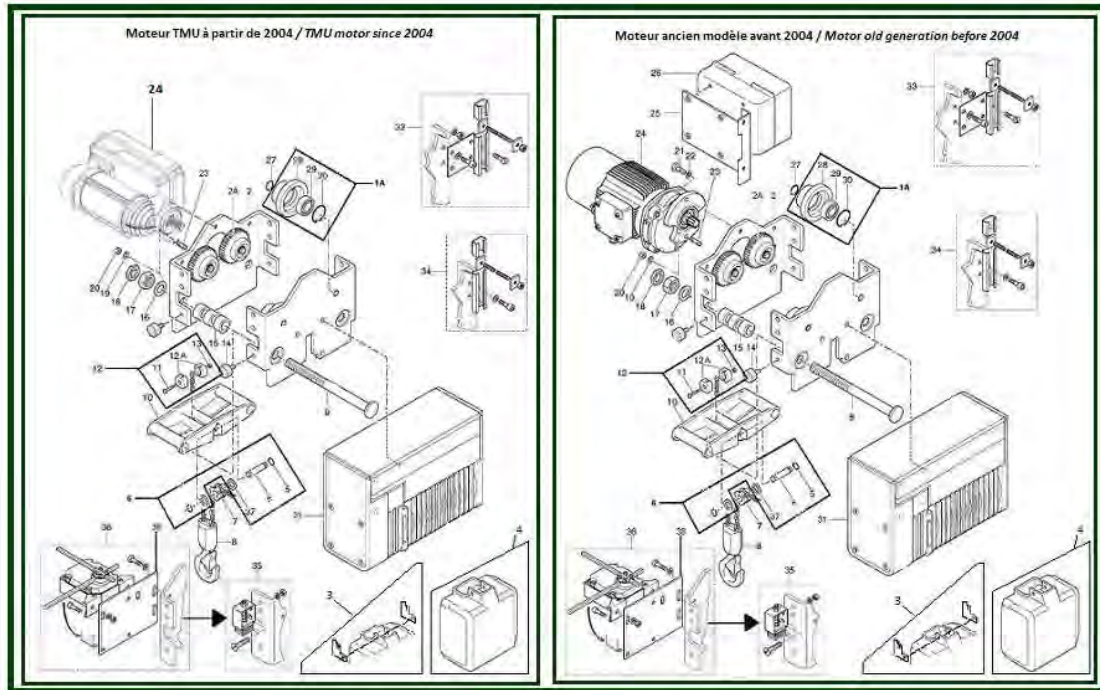


item	reference	description	observation	Quantity
1	2218045	Lifting hook block	1 brin / 1 fall	1
1	52371853	Stainless steel lifting hook block	1 brin / 1 fall	1
1a 2a	A001512	Safety latch - Steel wire type	1 brin / 1 fall-2 brins / 2 falls PHR - 500 kg	1
1 b 2 b	2218046	Lifting hook		1
1 b 2 b	52370686	Stainless steel lifting hook		1
1c	2218047	Set of 2 half - casing with axle and screws		1
2	2218048	Hook block assembly	2 brins / 2 falls	1
2	52371854	Stainless steel hook block assembly	2 brins / 2 falls	1
2a	2212016	Safety latch - Steel	Crochet supérieur - 1brin / Upper hook - 1 fall	1
2b	52392414	RANMAS lifting hook		1
2c	2218085	Set of 2 half-casing with axle wheel and screws		1
2e	2218086	idler sprocket axle set		1
3	2218024	Upper and lower chain guide assembly		1
4	2218025	Slack fall stop assembly		1
5a	2218026	Chain bucket	7 m	1
5b	2218027	Chain bucket	16 m	1
5c	2218028	Chain bucket	30 m	1
6	2218029	Upper and lower limit switch assembly		1
7	2218075V	Galvanized load chain - 3.1x9.3		0
7	52288934	Stainless steel load chain - 3.1x9.3	Plus fournie/Not supply anymore	0
8	2218076	Rubber buffer	1 brin / 1 Fall : 2 pces - 2 brins / 2 Falls : 3 pces	1
9	2218077	Load chain mounting		1
10	9995008	Oil can	125 ml	1
-	2218023	Set of 10 load plates - Hook block	250 kg - 2 brins / 2 falls	1
-	2218036	Set of 10 load plates - Hook block	60 kg - 1 brin / 1 fall	1
-	2218037	Set of 10 load plates - Hook block	80 kg - 1 brin / 1 fall	1
-	2218038	Set of 10 load plates - Hook block	125 kg - 1 brin / 1 fall	1
-	2218021	Set of 10 load plates - Hook block	125 kg - 2 brins / 2 falls	1
-	2218022	Set of 10 load plates - Hook block	160 kg - 2 brins / 2 falls	1

3.1) Precut chain

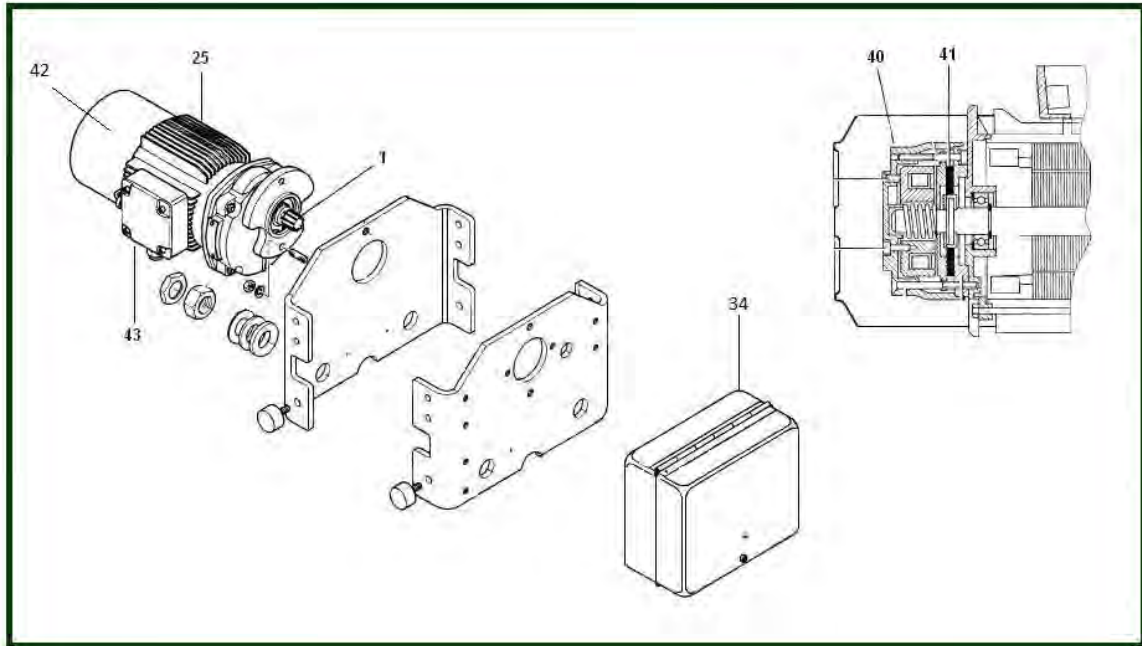
item	reference	description	observation	Quantity
	<u>53019577</u>	Galvanized load chain - 3.1x9.3	6 metres / meters	1
	<u>53019587</u>	Galvanized load chain - 3.1x9.3	7 metres / meters	1
	<u>53019597</u>	Galvanized load chain - 3.1x9.3	8 metres / meters	1

4) LHT Trolley - VL1/XCA



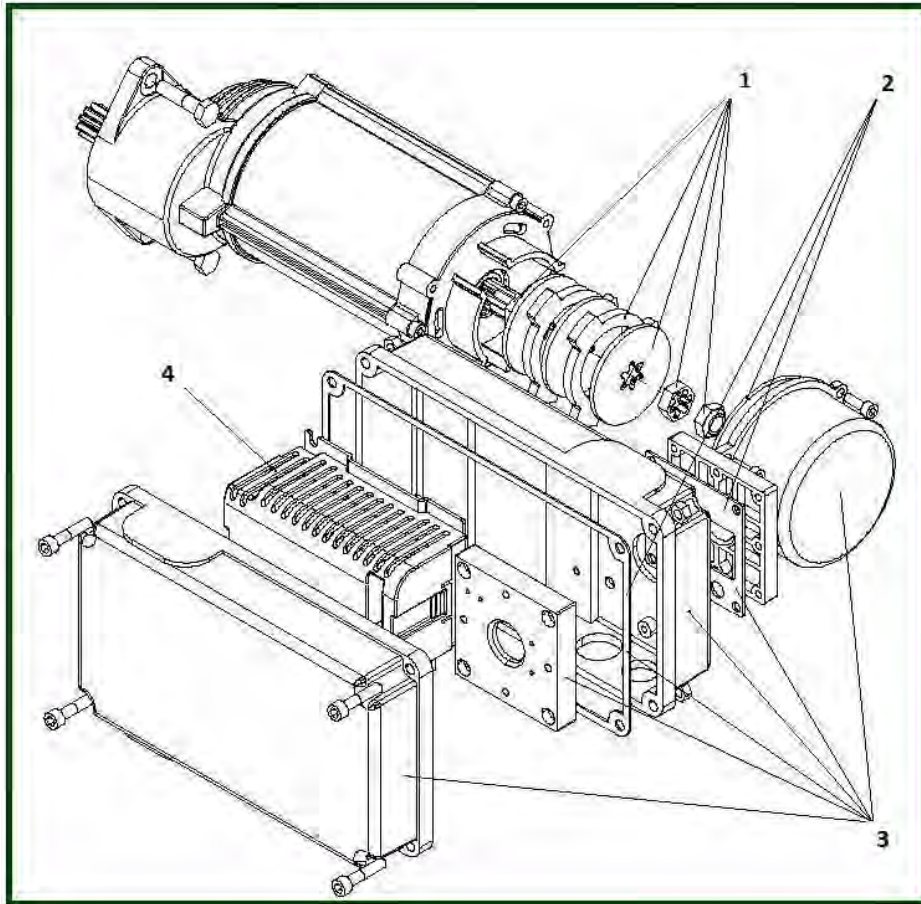
item	reference	description	observation	Quantity
1	52275968	end plate without wheel		1
2	52275959	end plate motor without wheel		1
2A	52307146	Travel wheel driving set D42		2
3	52310023	Chain bag support		2
4	52293116	Chain bag		1
6	52324497	Shaft kit		1
7	52264429	Return wheel		1
8	2218048	Hook block assembly	2 brins / 2 falls	1
8	2218045	Lifting hook block	1 brin / 1 fall	1
9	52275973	Long tie rod - L 208	Fer / beam 106 131	2
9	52281233	Short tie rod - L 180	Fer/ beam 100	2
10	52275969	return parts	+ Item 6	1
12	2218025	Slack fall stop assembly		1
15	52275972	Sleeve		1
16	50001603	Plate washer	2 brins / 2 falls	1
17	51001023	Nut HM16		2
18	51001032	Nut PAL M16		2
19 -22	831504	Brake washer A M8	VS4 .B D - VS5.....D/	1
20	51001025	Nut HM8		2
21	830203	Screw Hm M8x 20	C3 / PRC - Moteur N1 / N1 motor	1
23	558122	Screw		1
24	Voir suite	Motor gear 20M		1
25	52281206	Support cubicle		1
26	2133033	C board	2VD/2CS MAC	1
26	558071	Sarel cubicle		1
28	52307145	Travel wheel idle D42		2
29	833719	Bearing		4
35	5531802D	Brush support	C1-C2-C3	1
35	7661106	earth brush	C1-C2-C3 - D DA - 75 amp.	1
36	558995	Limit switch support bracket	C1-C2-C3 - 1 seuil / 1 step	1
36	7541312S	Travelling limit switch		1
-	60026373	Circlip M10		2

4.1) Travelling machinery - Before 2004



item	reference	description	observation	Quantity
1	550467	Drive pinion - 11 teeth		1
25	558983	Gearmotor LS56 5 m/mn - 0,09	C1-C2-C3	1
25	558982	Gearmotor LS56 10 m/mn - 0,09	C1-C2-C3	1
25	558980	Gearmotor LS56 20m/mn - 0,09	C1	1
25	558986	Gearmotor LS71 11/3 m/mn - 0,12/0.03	C1-C2-C3 Plus fourni / Not supplied anymore	1
25	558987	Gearmotor LS71 20/5 m/mn - 0,12/0,03	C1	1
34	834193	PC board C1 KDI R1	Avant/Before 06/2000	1
34	834194	PC board C1 KDI R1	Avant/Before 06/2000	1
34	558071	Sarel cubicle		1
40	990996	Dual speeds brake FMC15	96V	1
40	990997	One speed brake FMC15	190V	1
41	990998	Brake lining		1
42	558972	Fan cover - LS56	C1-C2-C3	1
42	558977	Fan cover - LS63	C1-C2-C33 Plus fourni / Not supplied anymore	1
42	558979	Fan cover - LS71	C1-C2-C3	1
43	990964	junction box - One speed		1
43	990967	junction box - Two speeds		1
-	990999	Brake rectifier - 1 speed		1
-	991000	Brake rectifier - 2 speeds		1
-	2243014	Plug (male) with wire length	L=1m50	1
-	52295301	Rain Cover		1

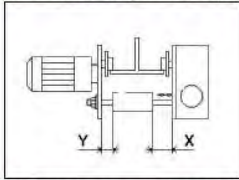
4.2) Travelling machinery - After 2004



item	reference	description	observation	Quantity
1	52296293	Brake repair set	M06-001V	1
2	52300292	Sealing set	M06-008V	1
3	52300291	Terminal box	M06-007V	1
4	52300287	inverter and filter	48VAC - M06-003V	1
4	52300288	inverter and filter	115VAC - M06-004V	1
5	52297959	Connection cable	CCGC LCP-04	1

4.3) Adjustment of flanges for hoist 125 kg - 1 fall

Réglage des flasques pour palan 125 kg (1 brin)
Adjustment of flanges for hoist 125 kg (1 fall)

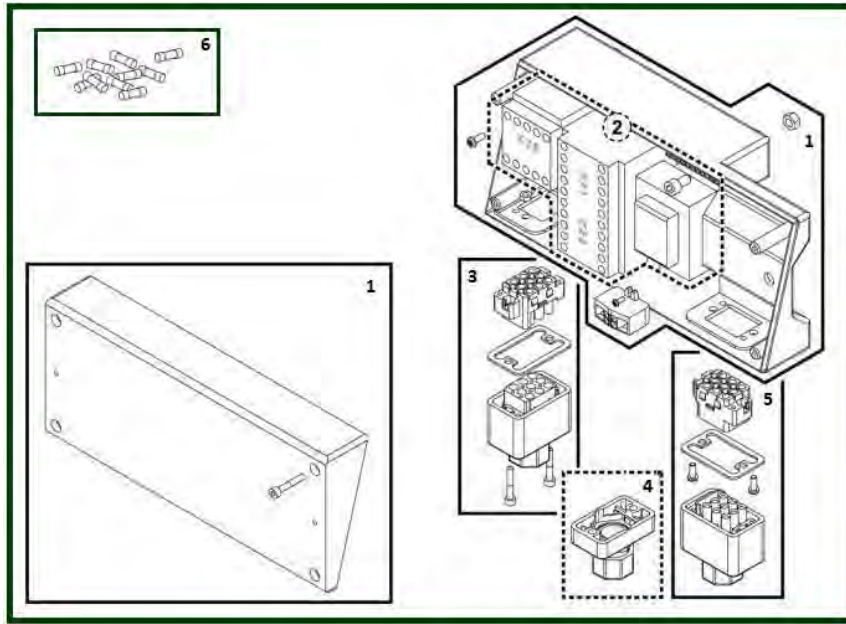


Le réglage des flasques est le même en 1 et 2 brins, il y a juste une inversion entre X et Y
The adjustment of flanges is same between 1 fall and 2 falls. There is just an inversion between X and Y

Largeur de fer / Beam	X		Y		
	Entretoises / Tie bolt	Rondelles / Washer 3 mm	Entretoises / Tie bolt	Rondelles / Washer 3mm	
55	0	3	0	0	Tirants courts / Short tie rod
58	0	4	0	0	
64	1	1	0	0	
66	1	1	0	1	
73	1	2	0	2	
74	1	3	0	2	
82	1	4	0	3	
90	2	0	1	0	
91	2	0	1	0	
98	2	2	1	1	
100	2	2	1	1	Tirants longs / Long tie rod
106	2	3	1	2	
110	2	4	1	3	
113	2	4	1	4	
119	3	0	2	0	
120	3	0	2	0	
125	3	1	2	1	
130	3	2	2	1	
131	3	2	2	2	

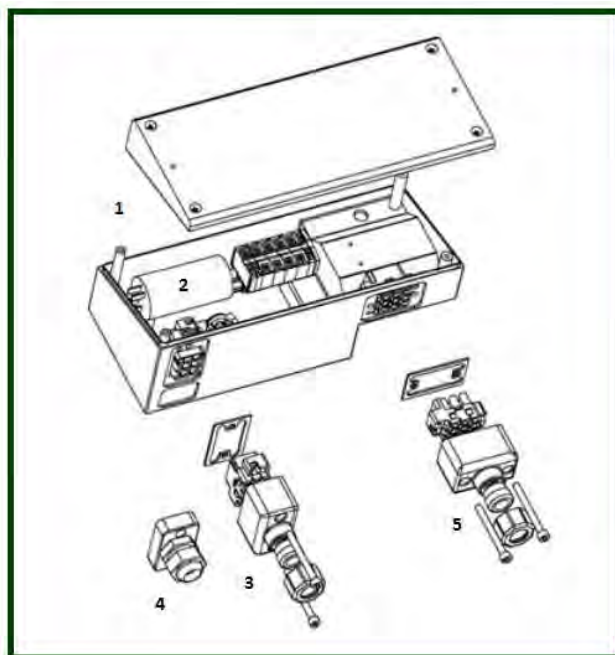
Attention ! Dans tous les cas, il faut laisser une ou plusieurs rondelles de réglage à l'extérieur des flasques, sous l'écrou de serrage
Important ! In all cases, it is necessary to leave one or several adjusting washers outside of the flanges, under the tightening nut

5) Electric Box



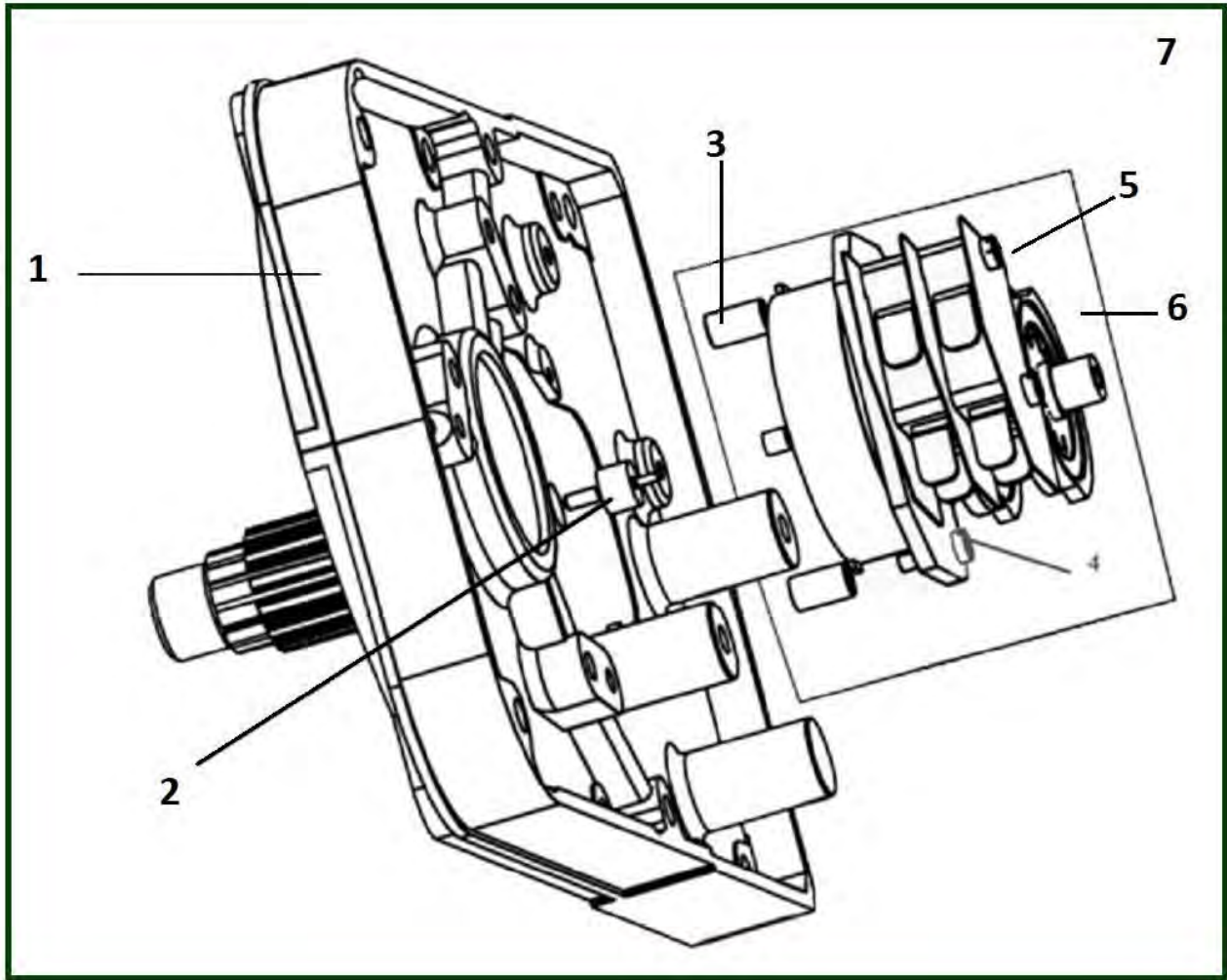
item	reference	description	observation	Quantity
1	2218078	electric cubicle assembly motor (cover electrical pieces)	1500 tr/min	1
2	833098	Brake control module - Main switching control type	230 - 400 V Coffret acier auto/Steel cubicle automotive	1
2	833096	Brake control module - Main switching control type	500 V Palan type seulement/ type hoist only	1
2	2218091	PC board	230V - 48V - 50 60Hz	1
2	2218095	PC board	230V - 115V	1
2	2218090	PC board	400V - 48V - 50Hz	1
2	2218092	PC board	460V - 48V - 50 60Hz	1
2	2218094	PC board	460V - 115V	1
2	2218096	PC board	575V-115V	1
2	2218093	PC board		1
3	2249982	power supply plug		1
4	2249947	Cable gland assembly		1
5	2249945	Connecting plug set for push-button box	M+F Standard	1
6	2219988	Set of 10 fuses		1
-	7383020	earth		1
-	52305007	electric box cover set		1
-	52310024	electrics box base		1

5.1) Specific items part for single phased hoist



item	reference	description	observation	Quantity
1	2218078	electric cubicle assembly motor (cover electrical pieces)	1500 tr/min	1
1	52315940	electric cubicle assembly motor (cover electrical pieces)	1500 tr/min	1
2	833098	Brake control module - Main switching control type	230 and 400 V Coffret acier auto/Steel cubicle automotive	1
2	52314634	Condensator 12 F - Single phase	230 V - 50-60 Hz Moteur 4 p les - 1500 tr/min	1
2	52297338	Condensator 25 F - Single phase	230 V - 50-60 Hz - 48 V Moteur 2 p les - 3000 tr/min	1
3	2249982	power supply plug		1
4	2249947	Cable gland assembly		1
5	2249945	Connecting plug set for push-button box	M+F Standard	1
6	833508	Direct control pendant for monophased hoist		1
-	52315883	Fuses set	230 V	1
-	52297342	Resistor	47 Ohms	1

6) Cam operated limit switch - Option



item	reference	description	observation	Quantity
1	52265595	Flange only	From 0 m to 7 m	1
2	52265596	Shaft	From 0 m to 7 m	1
3	52315475	Limit switch fixing kit assembly spacer	3+4+5	1
6	52265594	Limit switch + shaft - 2 cams	From 0 m to 7 m	1
7	52265599	Complete operated limit switch - 2 cams	From 0 m to 7 m	1