

Spare parts catalog for "VE5 - UX50"

To avoid errors, when ordering please specify:

- Complete type of hoist
- Date of manufacture and serial number
- Spare part code
- Spare part designation
- Additional information

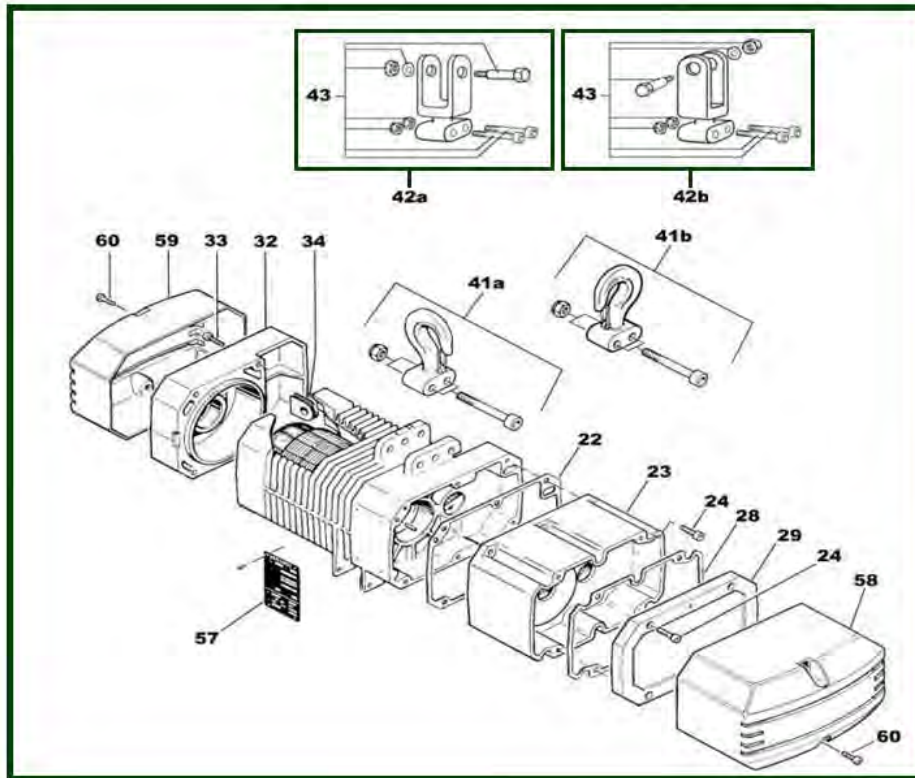


- 0) HOIST DESCRIPTION
 - 1) CASING
 - 2) MECHANISM / LIMITER
 - 3) MECHANISM / CASING
 - 4) BRAKE
 - 5) LIFTING ASSEMBLY
 - 6) ELECTRIC BOX
 - 7) SPECIFIC PARTS LI5
- 8) SPECIFIC PARTS DIGICHAIN
- 9) LOW HEADROOM TROLLEY

0) Hoist description

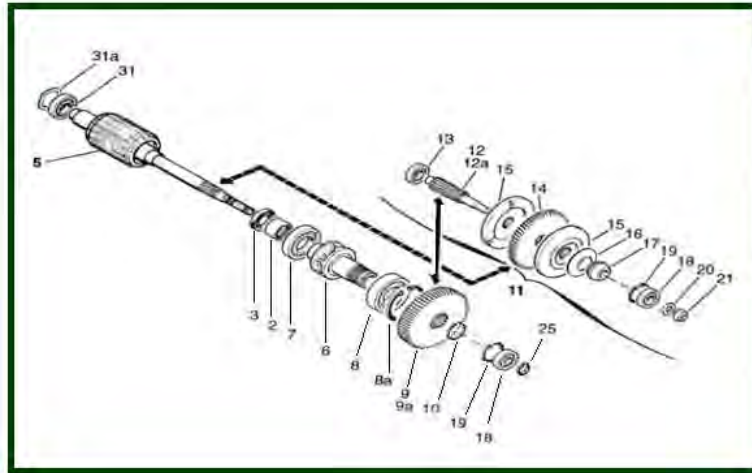
DESCRIPTION					
CAPACITE DE CHARGE	TYPE DE PALAN VERLINDE	TYPE DE PALAN UNEPAL	OBSERVATIONS (voir repères)	NOMBRE DE BRINS	TYPE DE CHAINE
LOAD CAPACITY	TYPE OF HOIST VERLINDE	TYPE OF HOIST UNEPAL	OBSERVATIONS (SEE MARKS)	NUMBER OF FALLS	TYPE OF CHAIN
125 Kg	VE5 105 m2	12UX50.15V2	A	1	5 X 15
	VE5 108 m2	12UX50.18V2	B		
	VE5 110 b2	12UX50.110W2	C		
	VE5 116 b2	12UX50.116W2	D		
250 Kg	VE5 216 b1	25UX50.116W1	E	2	
	VE5 205 m2	25UX50.15V2	F		
	VE5 208 m2	25UX50.18V2	G		
	VE5 205 b2	25UX50.25W2	H		
	VE5 208 b2	25UX50.28W2	I		
500 Kg	VE5 210 b2	25UX50.110W2	J	1	
	VE5 502 m2	50UX50.22V2	K	2	
	VE5 504 m2	50UX50.24V2	L		
	VE5 505 b2	50UX50.25W2	M		
	VE5 508 b1	50UX50.28W1	N	1	
	VE5 505 m1	50UX50.15V1	O		
	VE5 508 m1	50UX50.18V1	P		
1000 Kg	VE5 510 b1	50UX50.110W1	Q	2	
	VE5 1002 m1	100UX50.22V1	R		
	VE5 1004 m1	100UX50.24V1	S		
	VE5 1005 b1	100UX50.25W1	T		

1) Casing



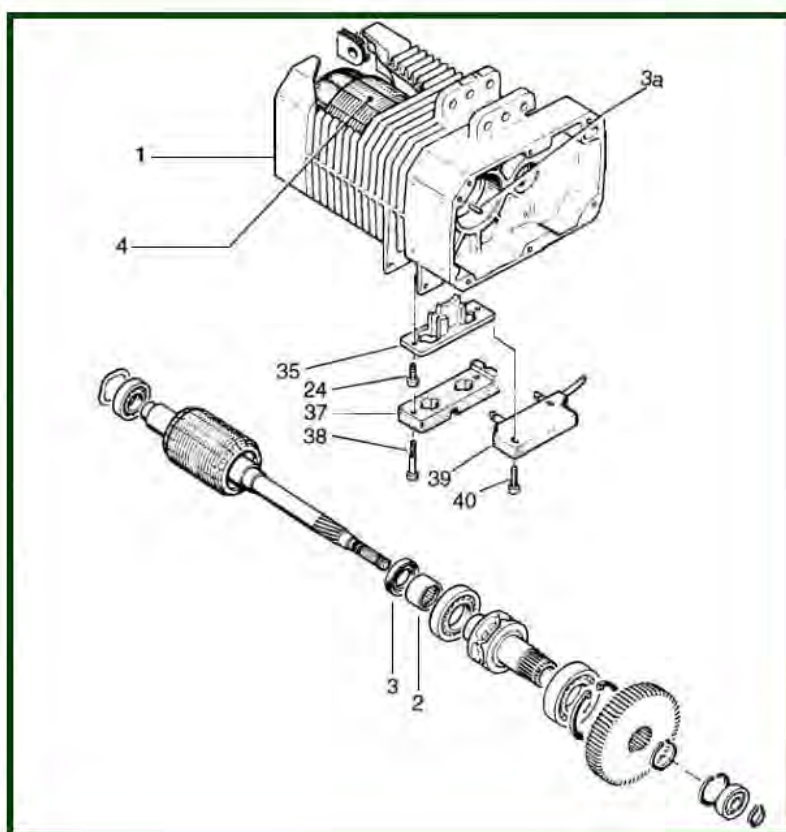
item	reference	description	observation	Quantity
22	556242	Gearbox housing seal		1
23	556510	Gearbox housing		1
24	830909	CHC screw M6x20		8
28	556241	Counterweight seal		1
29	556513	Counterweight		1
32	556512	Rear side plate		1
33	830910	CHC screw 6 x 50	HPR court & long / LHT short & long	4
34	833431	Cable guide		1
41a	556280	Upper hook parallel 012		1
41a	556286	Upper hook parallel 025		1
41b	556284	Upper hook perpendicular 025	Remplace crochet / replace hook 012	1
42a	556637	Parallel coupling bracket + screws and nuts set		1
42b	556638	Perpendicular coupling bracket + screws and nuts set		1
43	556226	Screw set for coupling		1
57	557085	Motor plate		1
58	556504	Green cover - Brake side	VERLINDE	1
58	556506	Red cover - Brake side	VETTER	1
59	556503	Green cover - Motor side		1
59	556505	Red cover - Motor side		1
60	830924	CHC screw 6 x 12		4
-	556937	Diabolo	HPR VE5 - HPR court & long / LHT short & long	1

2) Mechanism / Limiter



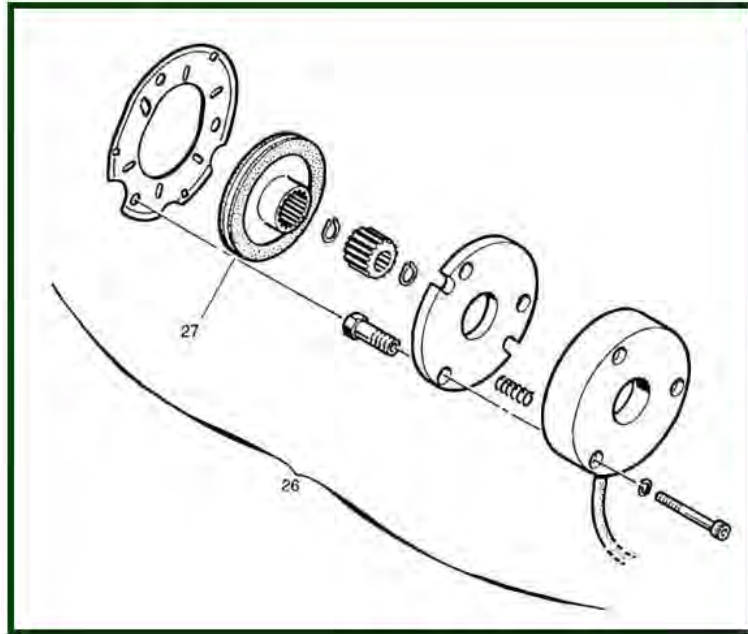
item	reference	description	observation	Quantity
2	833725	Needle bearing		1
3	556243	Oil seal		1
5	556359	Rotor 65	A-B-F-G-K-L-O-R LI5 505 m1 - LI5 205 m1 - LI5208m2	1
5	556358	Rotor 75	C-D-H-I-J-M	1
5	556357	Rotor 100 dual speeds	E-N-Q-T	1
5	556331	Rotor 100 single speed	P-S LI5 505 m1 - LI5 205 m1	1
6	556255	Load wheel	5x15	1
7	550783	Ball bearing		1
8	833701	Ball bearing		1
8a	300079	Circlip - Ø 62	C3-C5- VS2... O (VSX)	1
9	556251	Load wheel gear - 82 teeth	A-C-F-H-J-K-M-O-Q-R-T	1
9a	556552	Load wheel gear - 62 teeth	B-D-E-G-I-L-N-P-S	1
10	1104	Circlip		1
11	556104	Limiter gear subassembly	125 & 250 Kg : 1 brin/fall 500 kg : 2 brins/falls	1
11	556105	Limiter gear subassembly	500 Kg : 1 brin/fall 1000 Kg : 2 brins/falls	1
12	556502	Pinion shaft - 13 teeth	A-C-F-H-J-K-M-O-Q-R-T LI5 505 m1 - LI5 205 m1	1
12a	556551	Pinion shaft - 16 teeth	B-D-E-G-I-L-N-P-S LI5 505 m1 - LI5 205 m1 - LI5 208 m2	1
13	833730	Ball bearing		1
14	556550	Limiter gear - 94 teeth		1
15	556220	Friction disc		2
16	832060	Washer		1
17	556203	Limiter ring		1
18	833719	Bearing		2
19	830866	Circlip		2
20	100338	Washer		1
21	831589	Limiter adjustment nut		1
25	830862	External Circlip - Ø 12		1
31	833703	Bearing		1
31a	832040	ONDUFLEX washer		1

3) Mechanism / Casing



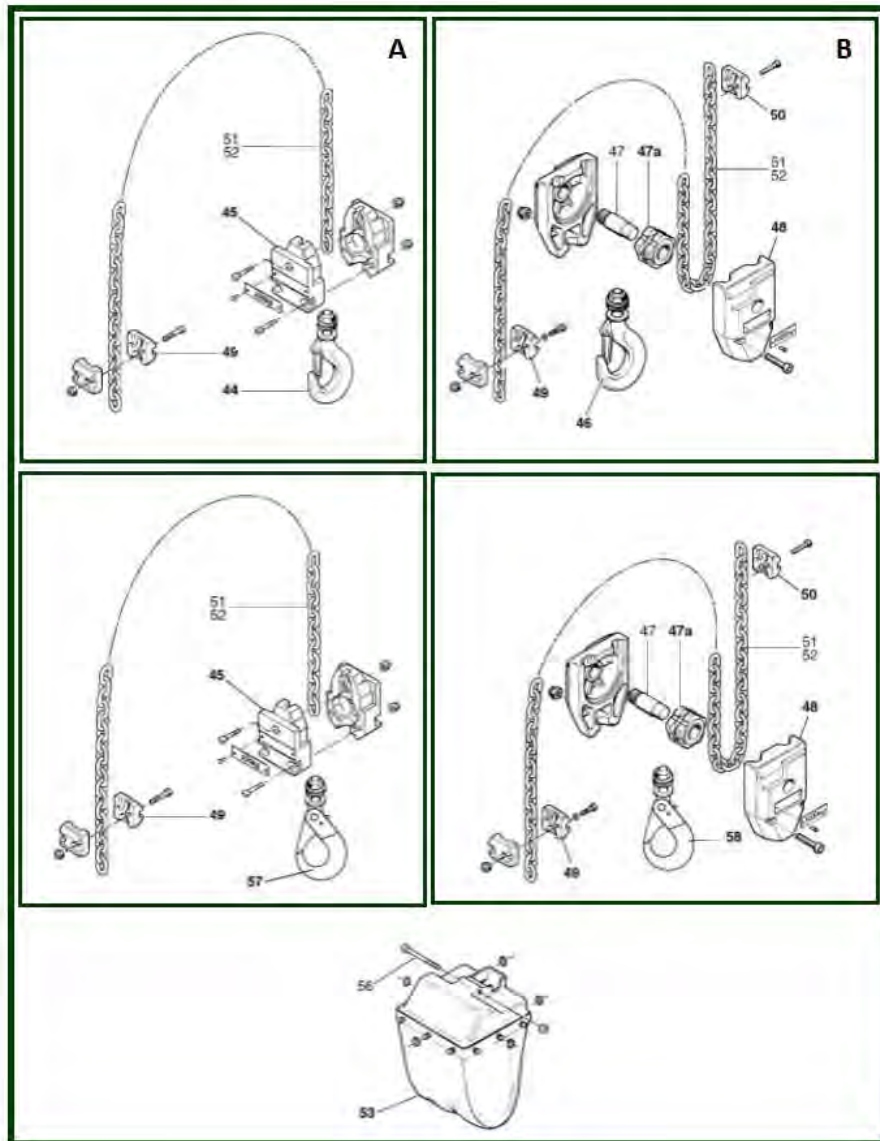
item	reference	description	observation	Quantity
1	556110	Motor casing	2 + 3 + 3a	1
2	833725	Needle bearing		1
3	556243	Oil seal		1
3a	556509	Locating pin		2
4	556189	Stator 65 - Single speed 230/380/400/415 V	A-B-F-G-K-L-O-R LI5 505 m1- LI5 205 m1 - LI5 208 m2	1
4	556388	Stator 75 dual speeds 380/400/415 V	C-D-H-I-J-M	1
4	556188	Stator 75 - Dual speeds 230 V	C-D-H-I-J-M	1
4	556187	Stator 100 - Dual speeds 230 V	E-N-Q-T	1
4	556387	Stator 100 - Dual speeds 380/400/415 V	E-N-Q-T / Plus fourni - not available	1
4	556190	Stator 100 - Single speed 230/380/400/415 V	P-S LI5 508 m2	1
24	830909	CHC screw M6x20		4
35	556235	Chain guide		1
37	556236	Rubber buffer	Si pas de fin de course électrique / If no electric limit switch	1
38	550979	CHC screw 6x25		2
38	830901	CHC screw 6x30		2
39	556238	Upper and lower limit switch		1
40	830930	CHC screw M4x20		2

4) Brake



item	reference	description	observation	Quantity
26	556558	Complete brake ERD10	Alimentation / Power supplied 215V-500V	1
26	556556	Complete brake ERD10 - L8 - M4	Alimentation / Power supplied 96V- 230V	1
26	556557	Complete brake ERD10 - L8 - M4	Alimentation / Power supplied 190V- 440V	1
27	556596	Brake linings set	2 types : a / b	3
27a	556597	Brake lining ERD10 brake P5		1
27b	556598	Brake lining MAYR brake P5		1
27c	556599	Brake lining ERD42 brake P5	Plus fourni / Not available anymore	1

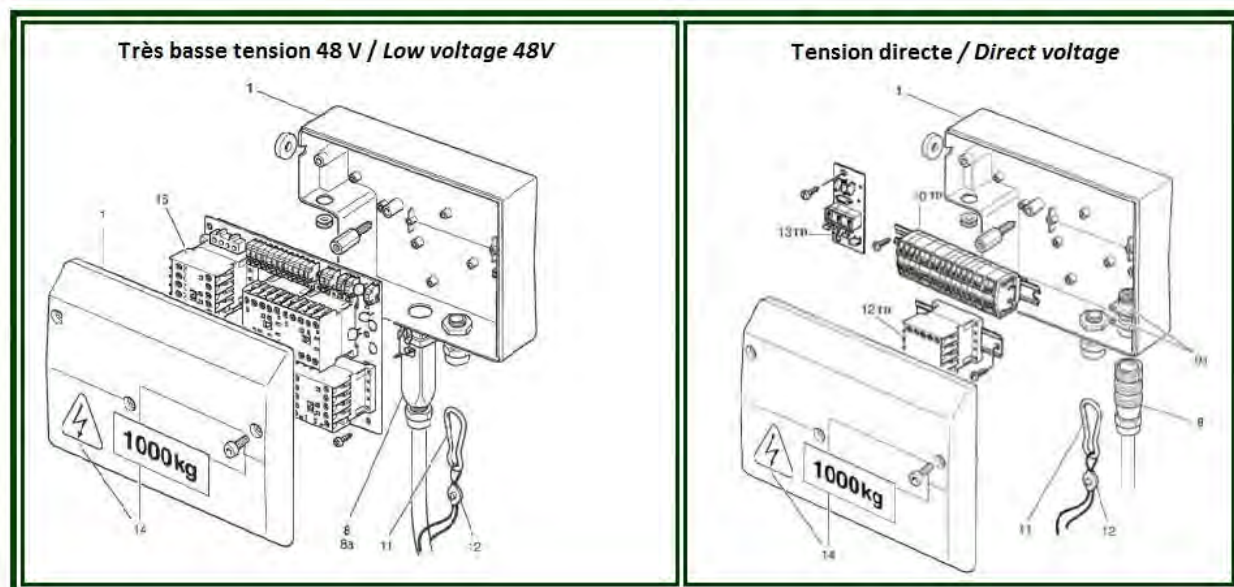
5) Lifting assembly



item	reference	description	observation	Quantity
44	556360	Lower hook with thrust bearing 012T	A-B-C-D-E-F-G-J-O-P-Q	1
44a	A001509	Safety latch for hook 012T	Linguet fil / wire safety latch - 1 brin / 1 fall	1
45	556228	½ hook block set		1
46	557152	Hook 025 M16	H-I-K-L-M-N-R-S-T - 1T	1
46a	2212017	Steel plate safety latch 025T	Depuis / Since 2000	1
46a	A001510	Wire safety latch 025T	2 brins / 2 falls	1
47	556001	Return wheel axle		1
47a	554330	Return wheel set	HPR court & long / HPR short & long	1
48	556248	set of 2 ½ hook blocks	2 brins / 2 falls	1
49	556232	Slack fall stop	2 brins / 2 falls	1
50	556233	Fixed point		1
52	820114V	Black chain - 5x15	80HB	1
52	820153V	Galvanized chain - 5x15	80HB	1
52	820000	Set of chaining tools	Chaîne / chain 5/6,5/8	1
52	820120V	Special galvanized chain - 5x15	H80C	1
53	556212	Chain bag B1 - 6 m	D80 - H16 cm	1
53	556213	Chain bag B2 - 12 m	D31 - H23 cm	1
53	556214	Chain bag B3 - 17 m	N11 - H30 cm	1
53	556215	Chain bag B4 - 40 m	D83 - H45 cm	1

56	<u>830927</u>	CHC screw		1
56	<u>831588</u>	M6 Nylstop nut	HPR déport court - HPR déport long	1
57	<u>A001129</u>	RAMNAS Automatic Hook	1000 Kg : chain 6,5 x 19,5 / fem 2m 1600 Kg : chain 8 x 24 / fem 1Bm - 1 brin/1 fall	1
58	<u>A001124</u>	Lower hook automatic	250/1000Kg - 2 brins / 2 falls	1
-	<u>2212024</u>	Flat safety latch	1000 kg - 012 or 025 - 04/2002 - 1 brin/1 fall H-I-J-K-L-M-N-R-S-T Pour crochet vendu en pièces détachées depuis 2000 For hook sold in spare since 2000	1
-	<u>A001515</u>	Safety latch - Steel wire type	125 kg-250 kg-1000 kg- 2 brins / 2 falls - 1T 025 or 012	1
=	<u>556269</u>	S.W.L. plate	125 kg - 1 brin / 1 fall	2
=	<u>556272</u>	S.W.L. plate	250 kg - 1 & 2 brins/1 & 2 falls	2
=	<u>556271</u>	S.W.L. plate	500 kg - 1 & 2 brins/1 & 2 falls	2
=	<u>556351</u>	S.W.L. plate	1000 kg	1
A	<u>556364</u>	Complete hook	125 to 500 kg - 1 brin / 1 fall	1
B	<u>556370</u>	Complete hook	250 to 1000 Kg - 2 brins / 2 falls	1
C	<u>A001114</u>	Hook complete RAMNAS type	125 to 500 kg - 1 brin / 1 fall	1

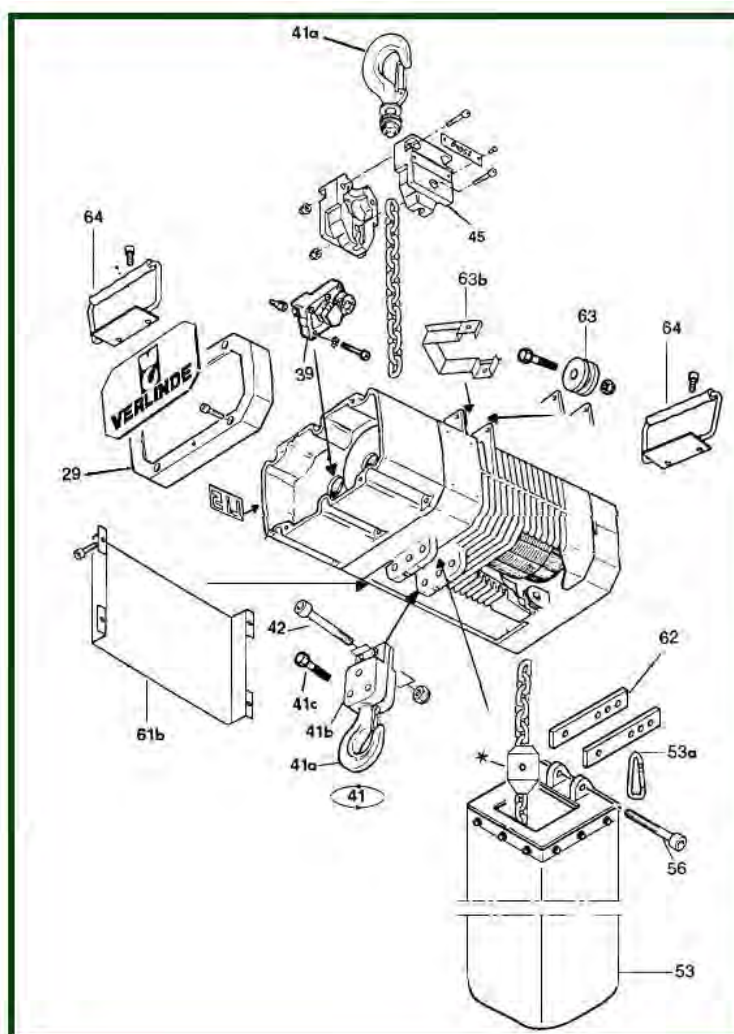
6) Electric box



item	reference	description	observation	Quantity
1	556508	Control panel contactor	Pour / For LI	1
1	556668	Electrical box set		1
8	833748	Fixed connector subassembly + female insert	Pour boîte à bouton très basse tension / For button box low voltage	1
8a	833749	Casing subassembly + male insert	Pour boîte à bouton très basse tension / For button box low voltage	1
9	833868	Subassembly direct male plug	Pour boîte à bouton tension directe / For button box direct voltage	1
9a	833870	Direct plug set		1
9a	833869	Subassembly direct female plug	Pour boîte à bouton tension directe / For button box direct voltage	1
10TD	833244	Terminal board subassembly	1 VL / HS	1
10TD	833243	Terminal board subassembly	1 VL+M/A / HS/On/Off	1
10TD	833242	Terminal board subassembly	2 VL / HS	1
10TD	833241	Terminal board subassembly	2 VL+M/A / HS/On/Off	1
11	830870	Chain bucket fixing	Court/Short-Long	1
12	558073	Flat cable clamp		1
12TD	833822	On/off contactor	230 V	1
12TD	833823	On/off contactor	400 V	1
13TD	833098	Brake control module Main switching control type	230 & 400 V Coffret acier auto/Steel cubicle automotive	1
14	556260	S.W.L. plate	125 Kg	1
14	556261	S.W.L. plate	250 Kg	1
14	556262	S.W.L. plate	500 Kg	1
14	556352	S.W.L. plate	1000 Kg	1
14	556349	S.W.L. plate	1250 Kg	1
14	557123	S.W.L. plate	1600 Kg	1
14b	833097	Electrical label		1
15	834196	PC board K3DIRB 2HS 415 V	For the hoist manufactured before 1995 : change PC board electrical box	1
15	834191	PC board K3DIRB 2HS 230/400 V	For the hoist manufactured before 1995 : change PC board electrical box	1
15	834195	PC board K3DIRM 1HS 415 V	For the hoist manufactured before 1995 : change PC board electrical box	1
15	834197	PC board K3DIRM 1HS 230/400 V	For the hoist manufactured before 1995 : change PC board electrical box	1
15	834192	PC board K4DIRB 2HS + On/Es 230/400 V	For the hoist manufactured before 1995 : change PC board electrical box	1

15	<u>834198</u>	PC board K4DIRM 1HS + On/Es 230/400 V	For the hoist manufactured before 1995 : change PC board electrical box	1
15	<u>834189</u>	PC board K4DIRM 1HS + On/Es 415 V	For the hoist manufactured before 1995 : change PC board electrical box	1
15	<u>834190</u>	PC Board K4DIRB 2HS + On/Es 415 V	For the hoist manufactured before 1995 : change PC board electrical box	1
-	<u>556564</u>	Transformer	415V 48V	1
-	<u>556563</u>	Transformer	500V 48V	1
-	<u>556560</u>	Transformer	Platine C.I. / PC board CI - 220-380V 48V	1
_	<u>834176</u>	DC PC board	Only for A type hoist (direct voltage)	1
=	<u>833130</u>	Fuse 0,5 A		1
=	<u>833131</u>	Fuse 1 A		1

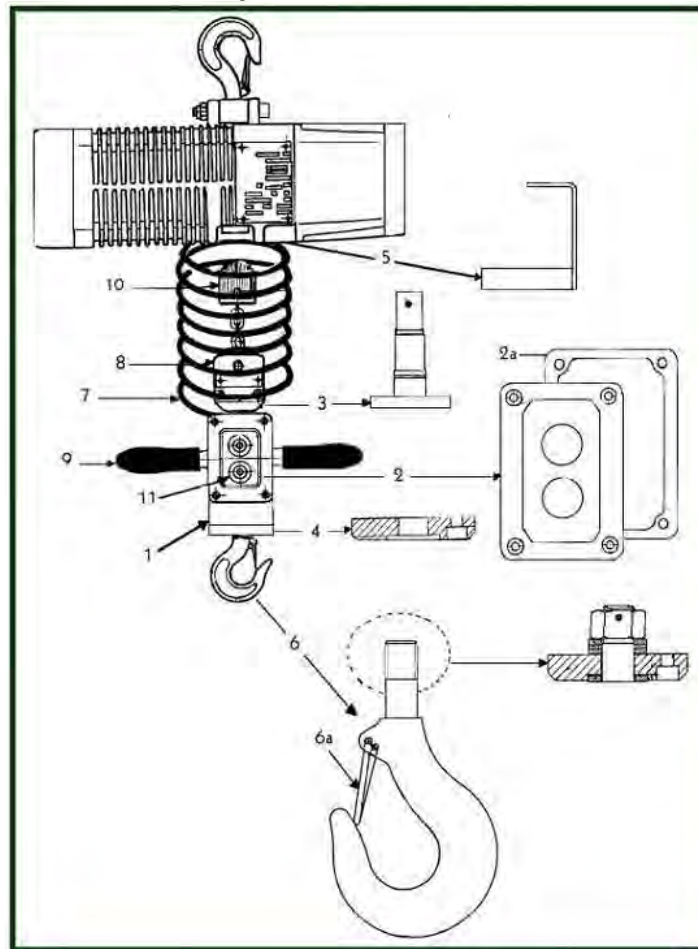
7) Specific parts LI5



item	reference	description	observation	Quantity
29	556410	Casing		1
39	550312	Gear limit switch - 2 steps	1/100	1
39	550313	Gear limit switch - 2 steps	1/200	1
41	556409	Complete hook block		1
41a	557152	Hook 025 M16	H-I-K-L-M-N-R-S-T - 1T	1
41b	556402	Set ½ hook block	1 brin / 1 fall - Force 2000 Kg	2
41c	550989	CHC Screw		3
41c	831587	NYLSTOP nut	PRC1-PRC2-PRC3	3
42	831597	NYLSTOP nut		2
42	830917	Screw CHC 8 x 25	Moteur N3 - Vis à coller / Screw paste	2
45	556228	½ hook block set		1
53	556406	Chain bag	40 m	1
53a	830870	Chain bucket fixing	Court/Short-Long	1
56	830916	CHC screw		1
61b	556415	Protection plate		1
62	556404	Chain bag support		2
63	556401	Diabolo for chain stop guide		1
63b	556400	Diabolo support		1
64	556412	Handle		2
V	550128	Chain counterweight		1

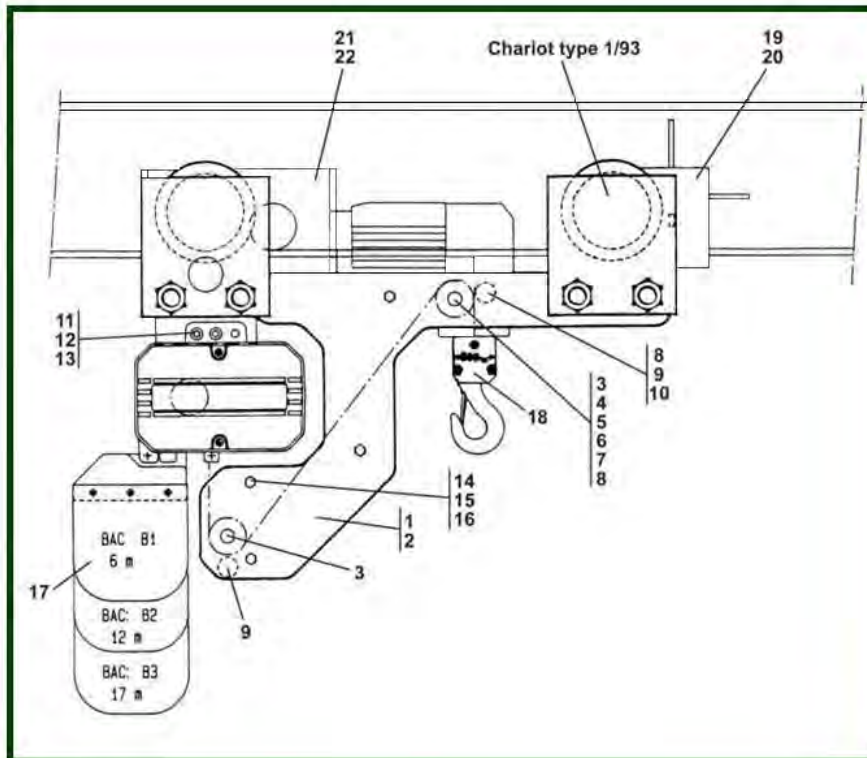
8) Specific parts Digichain

Jusqu'à fin 2003 - Until the end 2003



item	reference	description	observation	Quantity
1	550062	Complete push button box 2 HS with ON/OFF		1
1	550061	Complete push button box 2 HS without ON/OFF		1
2	551017	Cover box		1
2a	551018	Cover seal		1
3	550022	Upper shaft		1
4	551015	Hook support		1
5	556361	Cable fastener		1
6	551019	Complete hook		1
6a	A001515	Safety latch - Steel wire type	125 kg-250 kg-1000 kg- 2 brins / 2 falls - 1T 025 or 012	1
7	833498	Spiral cable	Lg 6 m	1
8	556228	½ hook block set		1
9	551013	Set of 2 handles		1
10	551012	Release switch		1
11	833593	Push button		2
	833618	Down sticker	1 vitesse / 1 speed	1
	833620	Down sticker	2 vitesses / 2 speeds	1
	833575	Element	1 vitesse / 1 speed	1
	833577	Element	2 vitesses / 2 speeds	2
	833596	Emergency stop button		1
	833590	ON/OFF direct voltage element with emergency stop		1
	833600	Up sticker	1 vitesse / 1 speed	1
	833606	Up sticker	2 vitesses / 2 speeds	1

9) Low Headroom Trolley



item	reference	description	observation	Quantity
1	556930	Motorside crossmember (long overreach)	N.C.	1
1	556935	Motorside crossmember (short overreach)	N.C.	1
2	556931	Idlerside crossmember (long overreach)	N.C.	1
2	556936	Idlerside crossmember (short overreach)	N.C.	1
3	554330	Return wheel set	HPR court & long / HPR short & long	23
4	556933	Return wheel shaft	HPR court & long / LHT short & long	23
5	556934	Shaft locking plate	HPR court & long / LHT short & long	23
6	832105	Adjusting washer	HPR court & long / LHT short & long	46
7	832021	Washer plate		23
8	831588	M6 Nylstop nut	HPR déport court - HPR déport long	23
9	556937	Diabolo	HPR VE5 - HPR court & long / LHT short & long	23
10	830910	CHC screw 6 x 50	HPR court & long / LHT short & long	23
11	556932	Coupling beam		1
12	830926	CHC screw 10 x 70		2
13	831593	NYLSTOP nut - ø 10		2
14	556938	Spacer tube - Ø 12 mm	Long	46
15	830217	Securing screw for slack chain HM 8 x 60	HPR court & long LHT short & long	46
16	832022	AZ washer	PRC1	46
17	556212	Chain bag B1 - 6 m	D80 - H16 cm	1
17	556213	Chain bag B2 - 12 m	D31 - H23 cm	1
17	556214	Chain bag B3 - 17 m	N11 - H30 cm	1
18	Voir Chap 5 See Chap 5	Hook assembly	Idem standard	1
19	601802	Travelling limit switch - 1 step		1
20	558995	Limit switch support bracket	C1-C2-C3 - 1 seuil / 1 step	1
21	556951	Motorgearbox 10/2,5 (right angle)		1
21	556949	Motorgearbox 10 m/min (right angle)		1
21	556950	Motorgearbox 20/5 (right angle)		1
21	556948	Motorgearbox 20 m/min - Right angle		1

22	<u>556947</u>	Ajusting flange		1
	<u>550236</u>	Upper hoisting limit switch	N.C.	1
-	<u>830922</u>	CHC screw M 5 x 20		2
-	<u>556940</u>	Counterweight	Seulement en 2 brins / Only 2 steps	1
-	<u>556941</u>	Fixed point (straight hole)		1
-	<u>556942</u>	Fixed point (tapped hole)		1
-	<u>556232</u>	Slack fall stop	2 brins / 2 falls	1