

**Spare parts catalog for "VE10 - UX100"**

To avoid errors, when ordering please specify:

- Complete type of hoist
- Date of manufacture and serial number
- Spare part code
- Spare part designation
- Additional information

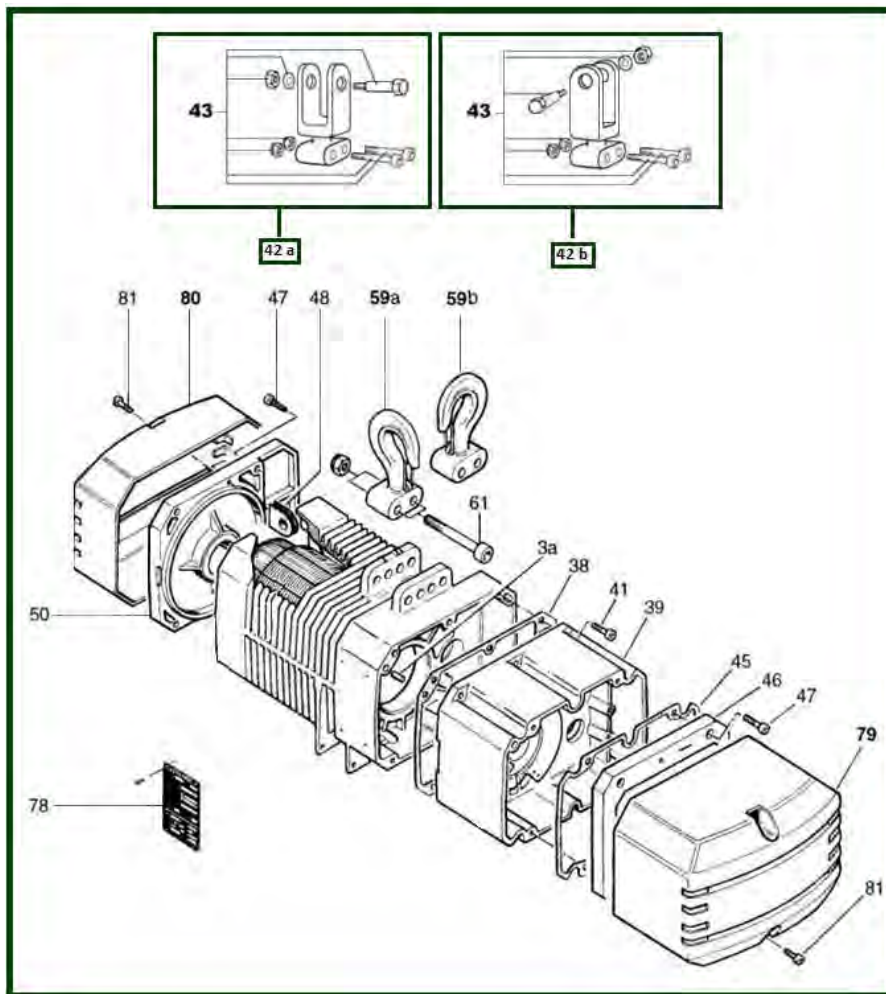


- 0) HOIST DESCRIPTION
  - 1) CASING
  - 2) MECHANISM 2 STEPS / LIMITER
  - 3) MECHANISM 3 STEPS / LIMITER
  - 4) MECHANISM / CARTER
  - 5) BRAKE
  - 6) LIFTING ASSEMBLY
  - 7) CHAIN BAG AND LOAD LABEL
  - 8) ELECTRIC BOX
  - 9) PUSH BUTTON BOX
  - 10) SPECIFIC PARTS LI10

## 0) Hoist description

CAPACITE DE CHARGE	TYPE DE PALAN VERLINDE	TYPE DE PALAN UNEPAL	OBSERVATIONS (voir repères)	NBRE DE BRINS	TYPE DE CHAINE
LOAD CAPACITY	TYPE OF HOIST VERLINDE	TYPE OF HOIST UNEPAL	OBSERVATIONS (SEE MARKS)	NUMBER OF FALLS	TYPE OF CHAIN
500 Kg	VE10 504 m2	50UX100.14V2	A	1	6,5 X 19,5
	VE10 506 m2	50UX100.16V2	B		
	VE10 506 b2	50UX100.16W2	C		
	VE10 508 b2	50UX100.18W2	D		
1000 Kg	VE10 1004 m1	100UX100.14V1	E	2	6,5 X 19,5
	VE10 1006 m1	100UX100.16V1	F		
	VE10 1006 b1	100UX100.16W1	G		
	VE10 1008 b1	100UX100.18W1	H		
	VE10 1004 b2	100UX100.24W2	I	1	8 x 24
	VE10 1004 m2	100UX100.14V2	J		
	VE10 1008 m2	100UX100.18V2	K		
	VE10 1008 b2	100UX100.18W2	L		
1500 Kg	VE10 1506 m1	150UX100.16V1	M	1	8 x 24
	VE10 1506 b1	150UX100.16W1	N		
2000 Kg	VE10 2002 m1	200UX100.22V1	O	2	6,5 X 19,5
	VE10 2003 m1	200UX100.23V1	P		
	VE10 2003 b1	200UX100.23W1	Q		
	VE10 2004 b1	200UX100.24W1	R		
	VE10 2002 m2	200UX100.22V2	S		8 X 24
	VE10 2004 m2	200UX100.24V2	T		
	VE10 2004 b2	200UX100.24W2	U		
3000 Kg	VE10 3003 m1	300UX100.23V1	V	1	8 X 24
	VE10 3003 b1	300UX100.23W1	W		

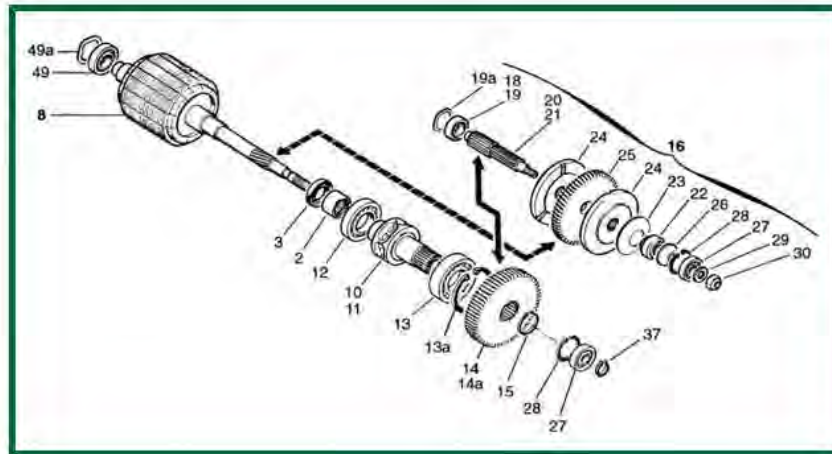
# 1) Casing



item	reference	description	observation	Quantity
3a	<a href="#">556509</a>	Locating pin		2
38	<a href="#">557038</a>	Gearbox housing seal		1
39	<a href="#">558428</a>	Gearbox housing		6
41	<a href="#">830909</a>	CHC screw M6x20		1
42a	<a href="#">557637</a>	Parallel coupling bracket + screws and nuts set		1
42b	<a href="#">557638</a>	Perpendicular coupling bracket + screws and nuts set		1
43	<a href="#">556226</a>	Screw set for coupling		1
45	<a href="#">557036</a>	Counterweight seal		1
46	<a href="#">557104</a>	Counterweight		1
47	<a href="#">830901</a>	CHC screw 6x30		10
48	<a href="#">833431</a>	Cable guide		1
50	<a href="#">557103</a>	Rear side plate		1
59a	<a href="#">556222</a>	Upper coupled parallel		1
59a	<a href="#">557169</a>	Upper hook parallel 025	1T	1
59a	<a href="#">557161</a>	Upper hook parallel 050	2T - Plus fourni / Not any more supplied	1
59a	<a href="#">557164</a>	Upper hook parallel 080	3T	1
59b	<a href="#">556223</a>	Upper coupled perpendicular		1
59b	<a href="#">557168</a>	Upper hook perpendicular 025	1T	1
59b	<a href="#">557160</a>	Upper hook perpendicular 050	2T	1
59b	<a href="#">557163</a>	Upper hook perpendicular 080	3T	1
61	<a href="#">830916</a>	CHC screw		2
61	<a href="#">831593</a>	NYLSTOP nut - ø 10		1

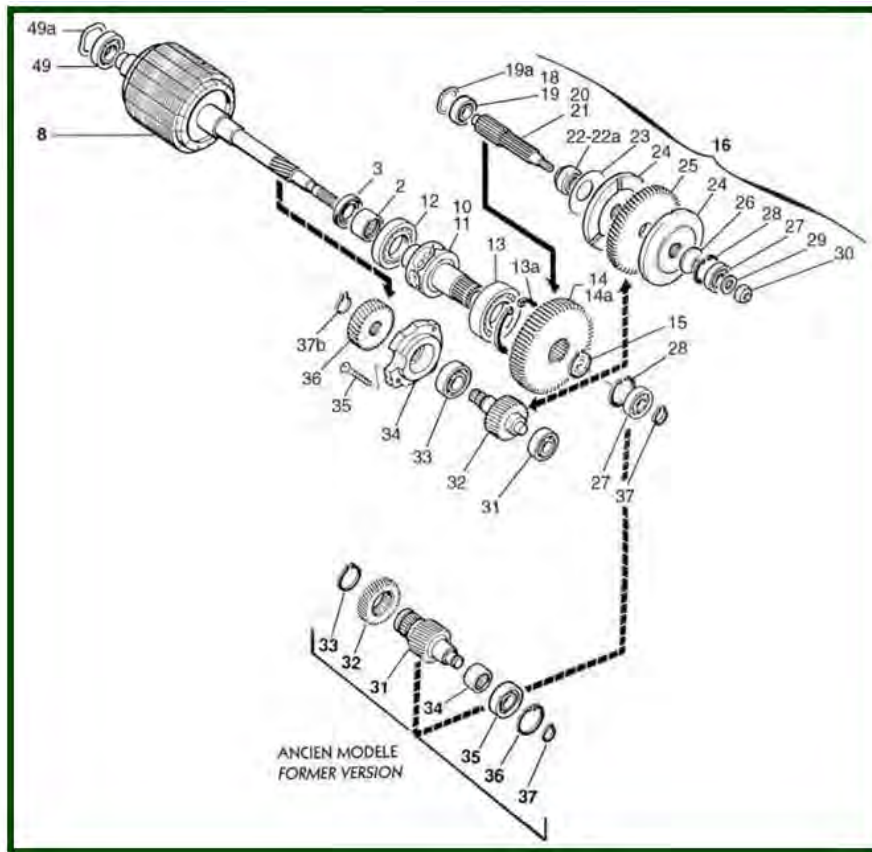
78	<u>557085</u>	Motor plate		1
79	<u>557076</u>	Green cover gearbox side		1
79	<u>557078</u>	Red cover gearbox side		1
80	<u>557075</u>	Green cover motor side		1
80	<u>557077</u>	Red cover motor side		1
81	<u>830924</u>	CHC screw 6 x 12		1
-	<u>557937</u>	Diabolo HPR/P10		1
-	<u>557049</u>	Plastic plug for gear housing - Ø 35	Pour 2 trains / for 2 steps	1
-	<u>400012</u>	Upper shaft - Ø 20 mm		1

## 2) Mechanism 2 steps / Limiter



item	reference	description	observation	Quantity
2	<a href="#">833725</a>	Needle bearing		1
3	<a href="#">556243</a>	Oil seal		1
8	<a href="#">557342</a>	Rotor 80 with shaft 16 teeth	C-G-J-M-Q-S-V	1
8	<a href="#">557341</a>	Rotor 110 with shaft 16 teeth	L-N-U-W	1
10	<a href="#">557110</a>	Load wheel for chain 6,5 x 19,5	C-Q-G	1
11	<a href="#">557111</a>	Load wheel for chain 8 x 24	J-L-M-N-S-U-V-W	1
12	<a href="#">557025</a>	Ball bearing		1
13	<a href="#">557026</a>	Ball bearing		1
13a	<a href="#">400080</a>	Retaining ring for bore - Ø 90x3	1AM-2/3AM	1
14	<a href="#">557114</a>	Load wheel 102 teeth	C-G-J-L-Q-S-U-	1
14a	<a href="#">557113</a>	Load wheel 96 teeth	B-F-K-P-T	1
15	<a href="#">400079</a>	Outer circlip		1
16	<a href="#">557060</a>	Limiter 14 + 141 teeth set	C-G-J-L-Q-S-U	1
16	<a href="#">557062</a>	Limiter 14 + 141 teeth set	K-T	1
16	<a href="#">557061</a>	Limiter 19 + 141 teeth set	M-N-V-W	1
18	<a href="#">550787</a>	Ball bearing	C-G-Q	1
19	<a href="#">550789</a>	Ball bearing	J-L-M-N-S-U-V-W	1
19a	<a href="#">832041</a>	ONDUFLEX washer	C-G-J-L-Q-S-U	1
20	<a href="#">557120</a>	Pinion shaft 14 teeth	C-G-J-L-Q-S-U	1
21	<a href="#">557121</a>	Pinion shaft 19 teeth		1
22	<a href="#">557043</a>	Springwasher support ring	C-G-J-L-Q-S-U	1
23	<a href="#">557032</a>	Spring washer	C-G-J-L-M-N-Q-S-U-V-W	1
24	<a href="#">557101</a>	Friction disc		2
25	<a href="#">557115</a>	Limiter gear wheel 141 teeth		1
26	<a href="#">557042</a>	Limiter ring		1
27	<a href="#">557028</a>	Ball bearing		2
28	<a href="#">830866</a>	Circlip		1
29	<a href="#">100338</a>	Washer		1
30	<a href="#">831589</a>	Limiter adjustment nut		1
37	<a href="#">830865</a>	Outer circlip		1
49	<a href="#">833703</a>	Bearing		1
49a	<a href="#">832040</a>	ONDUFLEX washer		1

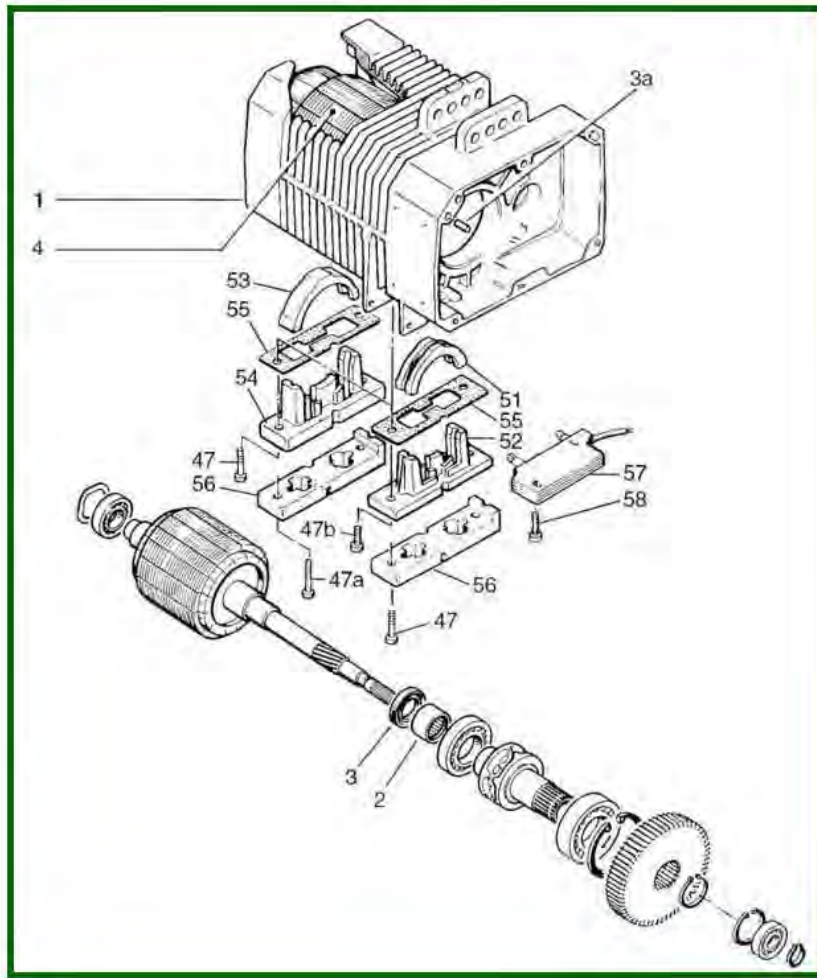
### 3) Mechanism 3 steps / Limiter



item	reference	description	observation	Quantity
02-34	<a href="#">833725</a>	Needle bearing		1
3	<a href="#">556243</a>	Oil seal		1
8	<a href="#">557342</a>	Rotor 80 with shaft 16 teeth	C-G-J-M-Q-S-V	1
8	<a href="#">557341</a>	Rotor 110 with shaft 16 teeth	L-N-U-W	1
10	<a href="#">557110</a>	Load wheel for chain 6,5 x 19,5	C-Q-G	1
11	<a href="#">557111</a>	Load wheel for chain 8 x 24	J-L-M-N-S-U-V-W	1
12	<a href="#">557025</a>	Ball bearing		1
13	<a href="#">557026</a>	Ball bearing		1
13a	<a href="#">400080</a>	Retaining ring for bore - Ø 90x3	1AM-2/3AM	1
14	<a href="#">557114</a>	Load wheel 102 teeth	C-G-J-L-Q-S-U-	1
14a	<a href="#">558427</a>	Load wheel 73 teeth	M-N-V-W	1
15	<a href="#">400079</a>	Outer circlip		1
16	<a href="#">557060</a>	Limiter 14 + 141 teeth set	C-G-J-L-Q-S-U	1
16	<a href="#">557061</a>	Limiter 19 + 141 teeth set	M-N-V-W	1
18	<a href="#">550787</a>	Ball bearing	C-G-Q	1
19	<a href="#">550789</a>	Ball bearing	J-L-M-N-S-U-V-W	1
19a	<a href="#">832041</a>	ONDUFLEX washer	C-G-J-L-Q-S-U	1
20	<a href="#">557120</a>	Pinion shaft 14 teeth	C-G-J-L-Q-S-U	1
21	<a href="#">558426</a>	Pinion shaft 13 teeth	M-N-V-W	1
22-22a	<a href="#">557043</a>	Springwasher support ring	C-G-J-L-Q-S-U	1
22a	<a href="#">558425</a>	Springwasher support ring	M-N-V-W	1
23	<a href="#">557032</a>	Spring washer	C-G-J-L-M-N-Q-S-U-V-W	1
24	<a href="#">557101</a>	Friction disc		2
25	<a href="#">557115</a>	Limiter gear wheel 141 teeth		1
26	<a href="#">557042</a>	Limiter ring		1
27	<a href="#">557028</a>	Ball bearing		2
28	<a href="#">830866</a>	Circlip		2
29	<a href="#">100338</a>	Washer		1

30	<u>831589</u>	Limiter adjustment nut		1
31	<u>558432</u>	Ball bearing		1
31	<u>557122</u>	Helical pinion shaft 39 teeth AM		1
32	<u>557116</u>	Helical gear wheel 50 teeth AM		1
32	<u>558429</u>	Helical pinion shaft 39 teeth		1
33	<u>550778</u>	Ball bearing		1
33	<u>100051</u>	External circlip ø 30	VS2....O (VSX)	1
34	<u>558431</u>	Cover		1
35	<u>557029</u>	Ball bearing AM		1
35	<u>830949</u>	Fixing screw		3
36	<u>558430</u>	Helical gear wheel 50 teeth		1
37	<u>830865</u>	Outer circlip		1
37b	<u>400076</u>	Exterior circlips	C1	1
49	<u>833703</u>	Bearing		1
49a	<u>832040</u>	ONDUFLEX washer		1

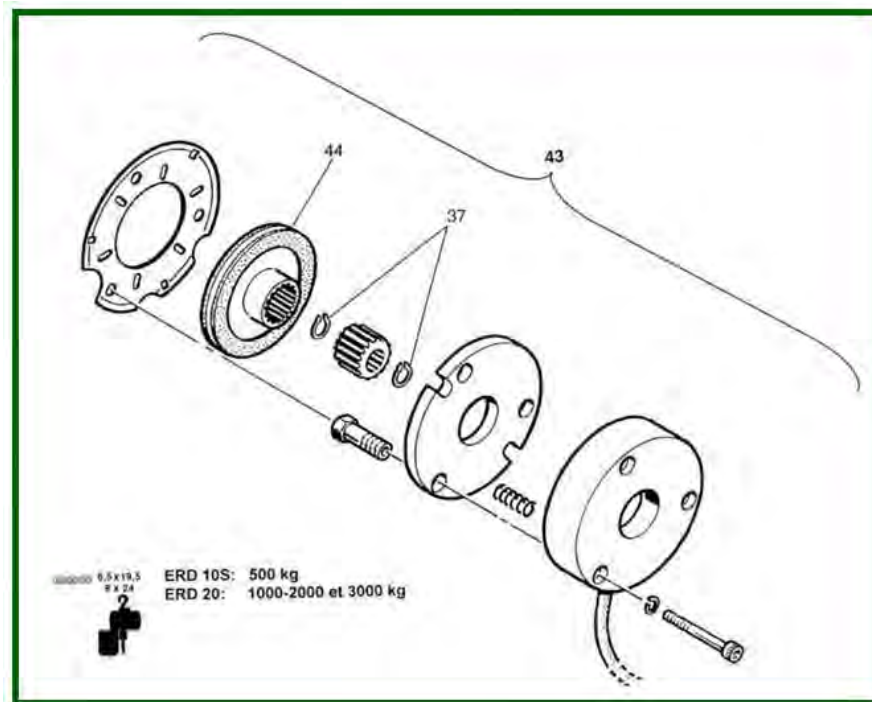
## 4) Mechanism / Carter



item	reference	description	observation	Quantity
1	<a href="#">557140</a>	Motor frame	2+3+3a	1
2	<a href="#">833725</a>	Needle bearing		1
3	<a href="#">556243</a>	Oil seal		1
3a	<a href="#">556509</a>	Locating pin		2
4	<a href="#">557263</a>	Stator 80 single speed - 400V/230V	A-B-E-F-J-K-M-O-P-S-T-V	1
4	<a href="#">558441</a>	Stator 110 dual speeds - 220V 230V	N-W	1
4	<a href="#">557261</a>	Stator 110 dual speeds - 220V 230V	L-U	1
4	<a href="#">558461</a>	Stator 110 dual speeds - 380V 415V	N-W	1
4	<a href="#">557361</a>	Stator 110 dual speeds - 380V 415V	L-U	1
47	<a href="#">830901</a>	CHC screw 6x30		10
47a	<a href="#">830902</a>	Screw		2
47b	<a href="#">550979</a>	CHC screw 6x25		1
51	<a href="#">557105</a>	Upper chain guide 6,5 x 19,5	A-B-C-D-E-F-G-H-I-O-P-Q-R	1
52	<a href="#">557106</a>	Lower chain guide 6,5 x 19,5	A-B-C-D-E-F-G-H-I-O-P-Q-R	1
53	<a href="#">557107</a>	Upper chain guide 8 x 24	J-K-L-M-N-S-T-U-V-W	1
54	<a href="#">557108</a>	Lower chain guide 8 x 24	J-K-L-M-N-T-U-V-W	1
55	<a href="#">557037</a>	Lower chain guide seal		1
56	<a href="#">557141</a>	Rubber buffer		1
57	<a href="#">556238</a>	Upper and lower limit switch		1
58	<a href="#">830930</a>	CHC screw M4x20		2

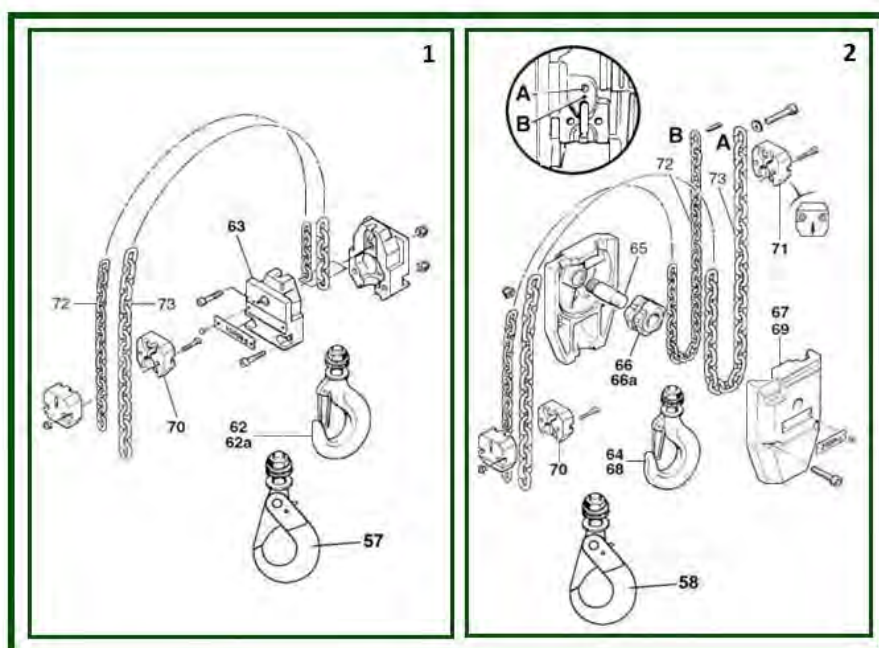


## 5) Brake



item	reference	description	observation	Quantity
37	<a href="#">830865</a>	Outer circlip		2
43	<a href="#">557051</a>	Brake complete ERD20 - 96V	230 V	1
43	<a href="#">557052</a>	Brake complete ERD20 - 190V	400 V	1
43	<a href="#">557050</a>	Brake complete ERD20 - 215V	500 V	1
44	<a href="#">557058</a>	Brake lining for ERD20		1
44	<a href="#">557053</a>	Brake lining for ERD49	N'est plus fourni-Changer le frein complet Not supply anymore-Change a complet brake	1
44	<a href="#">557596</a>	Set of brake linings	N'est plus fourni-Changer le frein complet Not supply anymore-Change a complet brake	1

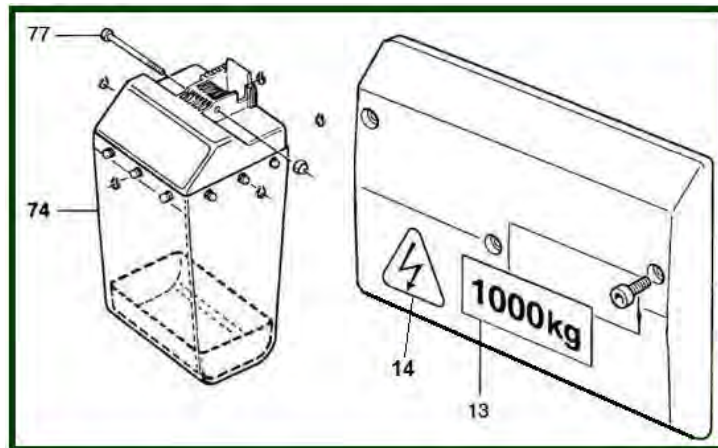
## 6) Lifting assembly



item	reference	description	observation	Quantity
1	<a href="#">557166</a>	Complete hook 05 M16 1t gr 2m /1,5t gr 1bm	1 brin / 1 fall - J-K-L-M-N	1
1	<a href="#">557162</a>	Complete hook 025 M16 0,5 t gr 2m / 1 t gr 1bm	1 brin / 1 fall - A-B-C-D-E-F-G-H	1
2	<a href="#">557167</a>	Complete hook 05 M20 1t gr 2m / 2t gr 1 bm	2 brins / 2 falls - I-O-P-Q-R	1
2	<a href="#">557159</a>	Complete hook 08 M24 2t gr 2m / 3t gr 1 bm	2 brins / 2 falls - S-T-U-V-W	1
57	<a href="#">2212011</a>	Lifting steel standard hook	1 brin / 1 fall	1
58	<a href="#">1129</a>	RAMNAS Automatic Hook - 1 fall	< 1000 Kg : chain 6,5 x 19,5 - fem 2m - 1600 Kg Chain 8 x 24 / fem 1Bm	1
58	<a href="#">1130</a>	RAMNAS Automatic Hook - 2 falls	1500 Kg to 3000 kg - Chain 8 x 24	1
62	<a href="#">557152</a>	Lower hook - 025 T M16	A-B-C-D-E-F-G-H To 1T	1
62	<a href="#">A001515</a>	Safety latch - Steel wire type 025 or 012	PHR : 1000 kg - 2 brins / falls	1
62a	<a href="#">557156</a>	Hook with thrust 05 M16	2000 Kg - J-K-L-M-N Linguet tôle à partir de Mars 2014 / Safety latch steel plate since march 2014	1
62a	<a href="#">2212017</a>	Safety latch Steel plate - 025T	1 & 2 brins - Depuis 2000 1 & 2 falls - Since 2000	1
62a	<a href="#">A001514</a>	Safety latch - Steel wire type - 05 T	PHR : 2000 kg - 04/2002	1
63	<a href="#">557144</a>	Set of half block housing + chain 6,5x19,5	1 brin / 1 fall	1
64	<a href="#">557157</a>	Lower hook 05 M20	05T GR 2M /1T GR 1Bm I-O-P-Q-R	1
65	<a href="#">556101</a>	Return wheel axle		1
66	<a href="#">556124</a>	Idle sprocket + self lubrication ring	PHR1 - Chaîne / Chain 6,5 x 19,5	1
66a	<a href="#">557172</a>	Return wheel	Chaîne / Chain 8 x 24	1
67	<a href="#">557145</a>	Set of half housing + chain 6,5x19,5	Moufle 1 T Gr 2 Moufle 2 T Gr 1Bm - 2 brins / 2 falls	1
68	<a href="#">557158</a>	Lower hook 08 M24	S-T-U-V-W	1
68	<a href="#">128005</a>	Safety latch hook 08	S-T-U-V-W - 3.2 T	1
69	<a href="#">557147</a>	Set of half block housing M24 Chain 8x24	Moufle 2T Gr 2m Moufle 3T Gr 1 Bm - 2 brins / 2 falls	1
70	<a href="#">557142</a>	Slack chain stop		1
71	<a href="#">557143</a>	Fix point		1
72	<a href="#">820125V</a>	Black chain - 6,5x19,5	80HB	1

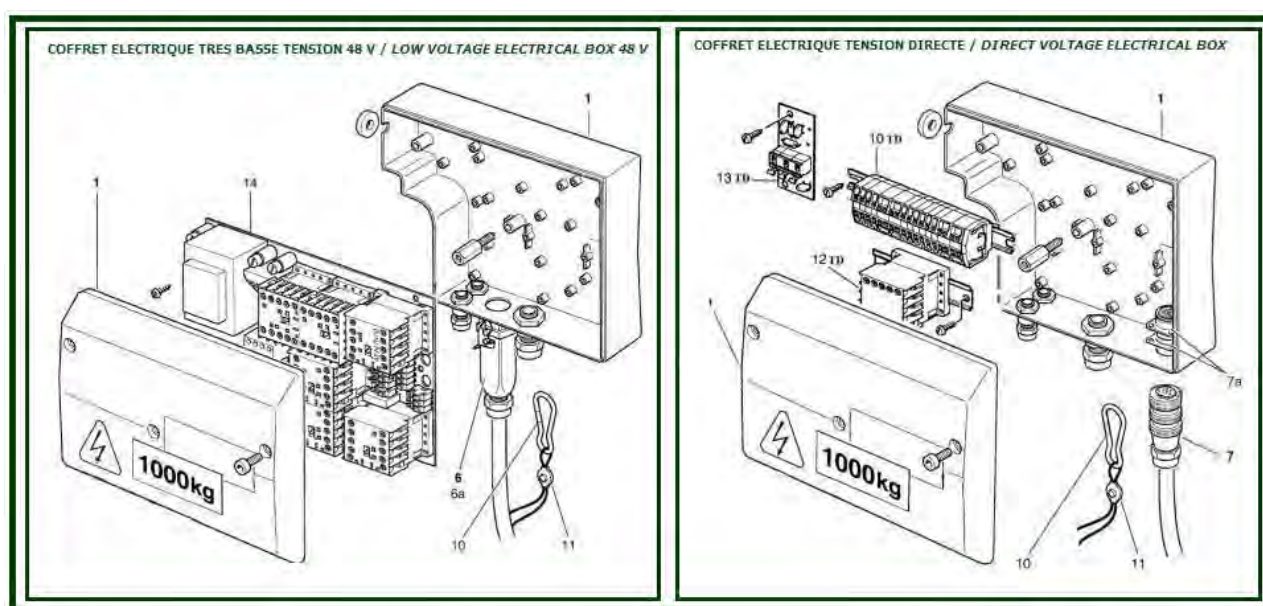
72	<u>820121V</u>	Chain - 6,5x19,5	H80C	1
72	<u>820148V</u>	Galvanized chain - 6,5x19,5	80HB	1
72	<u>53060098</u>	Precut black chain - 6,5x19,5	18 m - 80HB	1
73	<u>820147V</u>	Galvanized chain - 8x24	H80B	1
73	<u>820122</u>	Special chain - 8x24	H80C	1
73	<u>820141</u>	Stainless steel chaîne - 6,5x19,5		1
	<u>1115</u>	Complete automatic hook kit	1 brin / 1 fall - 63+58+ vis	1
	<u>556351</u>	S.W.L. plate	1000 kg	2
	<u>557125</u>	S.W.L. plate	1500 kg	2
	<u>557088</u>	S.W.L. plate	2000 kg	2
	<u>557126</u>	S.W.L. plate	3000 kg	2
	<u>820000</u>	Set of chaining tools		1

## 7) Chain bag and load label



item	reference	description	observation	Quantity
13	<a href="#">556262</a>	S.W.L. plate	500 Kg	1
13	<a href="#">556352</a>	S.W.L. plate	1000 Kg	1
13	<a href="#">556349</a>	S.W.L. plate	1250 Kg	1
13	<a href="#">557127</a>	S.W.L. plate	1500 Kg	1
13	<a href="#">557123</a>	S.W.L. plate	1600 Kg	1
13	<a href="#">557084</a>	S.W.L. plate	2000 Kg	1
13	<a href="#">557128</a>	S.W.L. plate	3000 Kg	1
14	<a href="#">833097</a>	Electrical label		1
74	<a href="#">557097</a>	Chain bucket BE4	6=14m/8=8m	1
74	<a href="#">557098</a>	Chain bucket BE5	6=30m/8=16m	1
74	<a href="#">557099</a>	Chain bucket BE6	6=50m/8=30m	1
74	<a href="#">557071</a>	Chain bucket P10	6=60m(6.5x19.5)/8=40m	1
77	<a href="#">830916</a>	CHC screw		1
77	<a href="#">831593</a>	NYLSTOP nut - ø 10		1

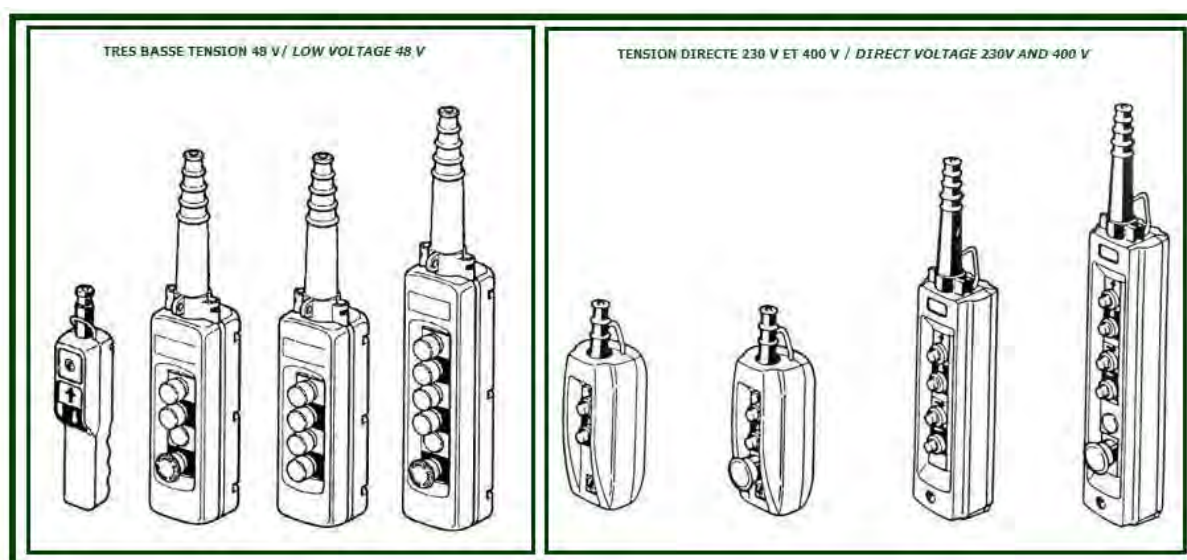
## 8) Electric box



item	reference	description	observation	Quantity
1	<a href="#">557508</a>	Contacteur control panel		1
1	<a href="#">557668</a>	Kit electric box		1
6	<a href="#">833748</a>	Fixed connector subassembly + female insert	Pour boîte à bouton très basse tension For button box low voltage	1
6a	<a href="#">833749</a>	Casing subassembly + male insert	Pour boîte à bouton très basse tension For button box low voltage	1
7	<a href="#">833868</a>	Subassembly direct male plug	Pour boîte à bouton tension directe / For button box direct voltage	1
7a	<a href="#">833870</a>	Direct plug set		1
7a	<a href="#">833869</a>	Subassembly direct female plug	Pour boîte à bouton tension directe / For button box direct voltage	1
10	<a href="#">830870</a>	Chain bucket fixing	Court/Short-Long	1
10TD	<a href="#">833244</a>	Terminal board subassembly	1 VL / HS	1
10TD	<a href="#">833243</a>	Terminal board subassembly	1 VL+M/A / HS/On/Off	1
10TD	<a href="#">833242</a>	Terminal board subassembly	2 VL / HS	1
10TD	<a href="#">833241</a>	Terminal board subassembly	2 VL+M/A / HS/On/Off	1
11	<a href="#">558073</a>	Flat cable clamp		1
12TD	<a href="#">833822</a>	On/off contactor	230 V	1
12TD	<a href="#">833823</a>	On/off contactor	400 V	1
13	<a href="#">834176</a>	DC PC board	Only for A type hoist (direct voltage)	1
13TD	<a href="#">833098</a>	Brake control module Main switching control type	230 & 400 V Coffret acier auto/Steel cubicle automotive	1
14	<a href="#">834086</a>	Electric board - 2HS+2CT+ES	400V/48V	1
14	<a href="#">834196</a>	PC board K3DIRB 2HS 415 V	For the hoist manufactured before 1995 : change PC board electrical box	1
14	<a href="#">834191</a>	PC board K3DIRB 2HS 230/400 V	For the hoist manufactured before 1995 : change PC board electrical box	1
14	<a href="#">834195</a>	PC board K3DIRM 1HS 415 V	For the hoist manufactured before 1995 : change PC board electrical box	1
14	<a href="#">834197</a>	PC board K3DIRM 1HS 230/400 V	For the hoist manufactured before 1995 : change PC board electrical box	1
14	<a href="#">834192</a>	PC board K4DIRB 2HS + On/Es 230/400 V	For the hoist manufactured before 1995 : change PC board electrical box	1
14	<a href="#">834198</a>	PC board K4DIRM 1HS + On/Es 230/400 V	For the hoist manufactured before 1995 : change PC board electrical box	1
14	<a href="#">834189</a>	PC board K4DIRM 1HS + On/Es 415 V	For the hoist manufactured before 1995 : change PC board electrical box	1
14	<a href="#">834081</a>	PC board K5	230/400 V	1
14	<a href="#">834082</a>	PC board K6	230/400 V	1
14	<a href="#">834083</a>	PC board K7	230/400 V	1

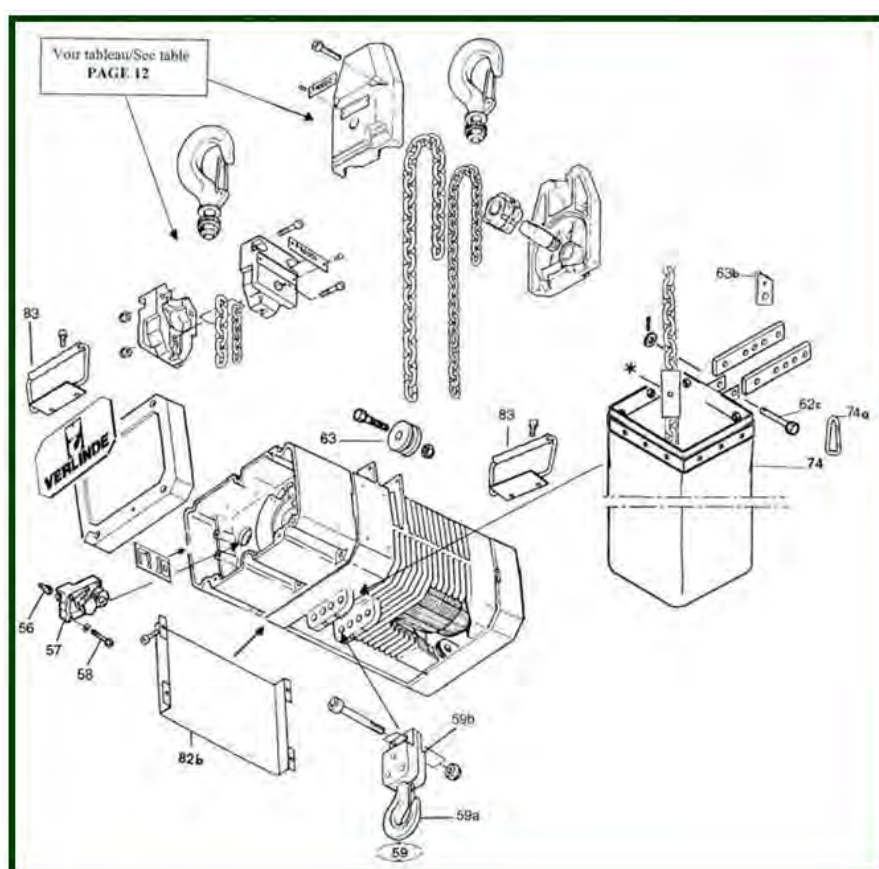
14	<u>834084</u>	PC board K8	230/400 V	1
14	<u>834085</u>	PC board K9	230/400 V	1
14	<u>834087</u>	PC board K11	230/400 V	1
14	<u>834088</u>	PC board K12	230/400 V	1
14	<u>834190</u>	PC Board K4DIRB 2HS + On/Es 415 V	For the hoist manufactured before 1995 : change PC board electrical box	1
-	<u>833130</u>	Fuse 0,5 A		1
-	<u>833131</u>	Fuse 1 A		1
-	<u>556564</u>	Transformer	415V 48V	1
-	<u>556563</u>	Transformer	500V 48V	1
-	<u>556560</u>	Transformer	Platine C.I. / PC board CI - 220-380V 48V	1

## 9) Push button box



item	reference	description	observation	Quantity
-	<u>834485</u>	Push button	1VL+1VD / 1HS+1CT	1
-	<u>834509</u>	Push button	1VL+1VD/1HS+1CT	1
-	<u>7631418W</u>	Push button	1VL+1VD+2VT+M/A / 1HS+1CT+2LT+ON/ES	1
-	<u>834487</u>	Push button	1VL+1VD+AU / 1HS+1CT+ES	1
-	<u>834510</u>	Push button	1VL+1VD+AU / 1HS+1CT+ES	1
-	<u>834494</u>	Push button	1VL+2VD / 1HS+2CT	1
-	<u>833511</u>	Push button	1VL+2VD / 1HS+2CT	1
-	<u>7631418X</u>	Push button	1VL+2VD+2VT+M/A / 1HS/2CT/2LT+ON/ES	1
-	<u>834495</u>	Push button	1VL+2VD+AU / 1HS+2CT+ES	1
-	<u>834512</u>	Push button	1VL+2VD+AU / 1HS+2CT+ES	1
-	<u>834479</u>	Push button	1VL+AU / 1HS+ES	1
-	<u>834508</u>	Push button	1VL+AU / 1HS+ES	1
-	<u>833474</u>	Push button	1VL+AU mono / 1HS+ES mono	1
-	<u>833473</u>	Push button	1VL mono / 1HS mono	1
-	<u>834489</u>	Push button	2VL / 2HS	1
-	<u>834477</u>	Push button	2VL / 2HS	1
-	<u>834481</u>	Push button	2VL / 2HS	1
-	<u>834482</u>	Push button	2VL+1VD / 2HS+1CT	1
-	<u>834491</u>	Push button	2VL+1VD / 2HS+1CT	1
-	<u>7631418Y</u>	Push button	2VL+1VD+2VT+M/A / 2HS+1CT+1LT+ON/ES	1
-	<u>834496</u>	Push button	2VL+1VD+AU / 2HS+1CT+ES	1
-	<u>834492</u>	Push button	2VL+1VD+AU / 2HS+1CT+ES	1
-	<u>834519</u>	Push button	2VL+2VD / 2HS+2CT	1
-	<u>7631418Z</u>	Push button	2VL+2VD+2VT+M/A / 2HS+2CT+2LT+ON/ES	1
-	<u>834488</u>	Push button	2VL+2VD+AU / 2HS+2CT+ES	1
-	<u>7631416I</u>	Push button	2VL+2VD+M+AU / 2HS+2CT+ON+ES	1
-	<u>834480</u>	Push button	2VL+AU / 2HS+ES	1
-	<u>834483</u>	Push button	2VL+AU / 2HS+ES	1
-	<u>834490</u>	Push button	2VL+2VD+AU / 2HS+2CT+ES	1

## 10) Specific parts LI10



item	reference	description	observation	Quantity
1	<a href="#">557166</a>	Complete hook 05 M16 1t gr 2m /1,5t gr 1bm	1 brin / 1 fall - J-K-L-M-N	1
1	<a href="#">557162</a>	Complete hook 025 M16 0,5 t gr 2m / 1 t gr 1bm	1 brin / 1 fall - A-B-C-D-E-F-G-H	1
2	<a href="#">557167</a>	Complete hook 05 M20 1t gr 2m / 2t gr 1 bm	2 brins / 2 falls - I-O-P-Q-R	1
2	<a href="#">557159</a>	Complete hook 08 M24 2t gr 2m / 3t gr 1 bm	2 brins / 2 falls - S-T-U-V-W	1
57	<a href="#">2212011</a>	Lifting steel standard hook	1 brin / 1 fall	1
58	<a href="#">1129</a>	RAMNAS Automatic Hook - 1 fall	< 1000 Kg : chain 6,5 x 19,5 - fem 2m - 1600 Kg Chain 8 x 24 / fem 1Bm	1
58	<a href="#">1130</a>	RAMNAS Automatic Hook - 2 falls	1500 Kg to 3000 kg - Chain 8 x 24	1
62	<a href="#">557152</a>	Lower hook - 025 T M16	A-B-C-D-E-F-G-H To 1T	1
62	<a href="#">A001515</a>	Safety latch - Steel wire type 025 or 012	PHR : 1000 kg - 2 brins / falls	1
62a	<a href="#">557156</a>	Hook with thrust 05 M16	2000 Kg - J-K-L-M-N Linguet tôle à partir de Mars 2014 / Safety latch steel plate since march 2014	1
62a	<a href="#">2212017</a>	Safety latch Steel plate - 025T	1 & 2 brins - Depuis 2000 1 & 2 falls - Since 2000	1
62a	<a href="#">A001514</a>	Safety latch - Steel wire type - 05 T	PHR : 2000 kg - 04/2002	1
63	<a href="#">557144</a>	Set of half block housing + chain 6,5x19,5	1 brin / 1 fall	1
64	<a href="#">557157</a>	Lower hook 05 M20	05T GR 2M /1T GR 1BM I-O-P-Q-R	1
65	<a href="#">556101</a>	Return wheel axle		1
66	<a href="#">556124</a>	Idle sprocket + self lubrication ring	PHR1 - Chaîne / Chain 6,5 x 19,5	1
66a	<a href="#">557172</a>	Return wheel	Chaîne / Chain 8 x 24	1
67	<a href="#">557145</a>	Set of half housing + chain 6,5x19,5	Moufle 1 T Gr 2 Moufle 2 T Gr 1Bm - 2 brins / 2 falls	1
68	<a href="#">557158</a>	Lower hook 08 M24	S-T-U-V-W	1
68	<a href="#">128005</a>	Safety latch hook 08	S-T-U-V-W - 3.2 T	1



69	<u>557147</u>	Set of half block housing M24 + chain 8x24	Moufle 2T Gr 2m Moufle 3T Gr 1 Bm - 2 brins / 2 falls	1
70	<u>557142</u>	Slack chain stop		1
71	<u>557143</u>	Fix point		1
72	<u>820125V</u>	Black chain - 6,5x19,5	80HB	1
72	<u>820121V</u>	Chain - 6,5x19,5	H80C	1
72	<u>820148V</u>	Galvanized chain - 6,5x19,5	80HB	1
72	<u>53060098</u>	Precut black chain - 6,5x19,5	18 m - 80HB	1
73	<u>820147V</u>	Galvanized chain - 8x24	H80B	1
73	<u>820122</u>	Special chain - 8x24	H80C	1
73	<u>820141</u>	Stainless steel chaîne - 6,5x19,5		1
	<u>1115</u>	Complete automatic hook kit	1 brin / 1 fall - 63+58+ vis	1
	<u>556351</u>	S.W.L. plate	1000 kg	2
	<u>557125</u>	S.W.L. plate	1500 kg	2
	<u>557088</u>	S.W.L. plate	2000 kg	2
	<u>557126</u>	S.W.L. plate	3000 kg	2
	<u>820000</u>	Set of chaining tools		1