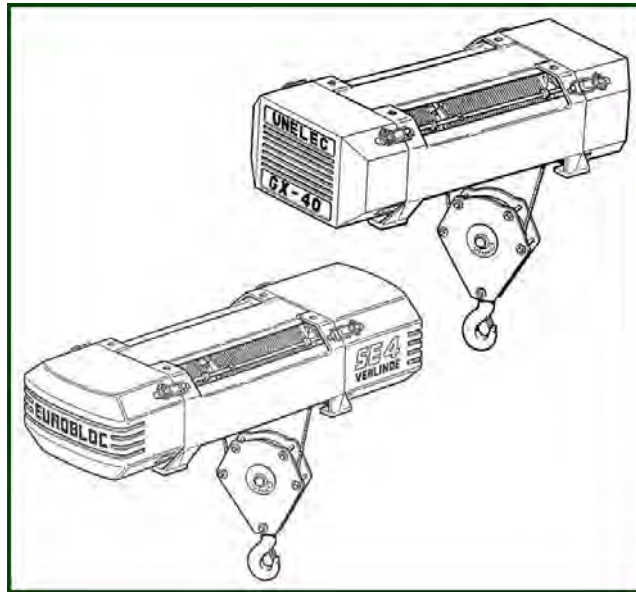


Spare Parts SE4 - GX40

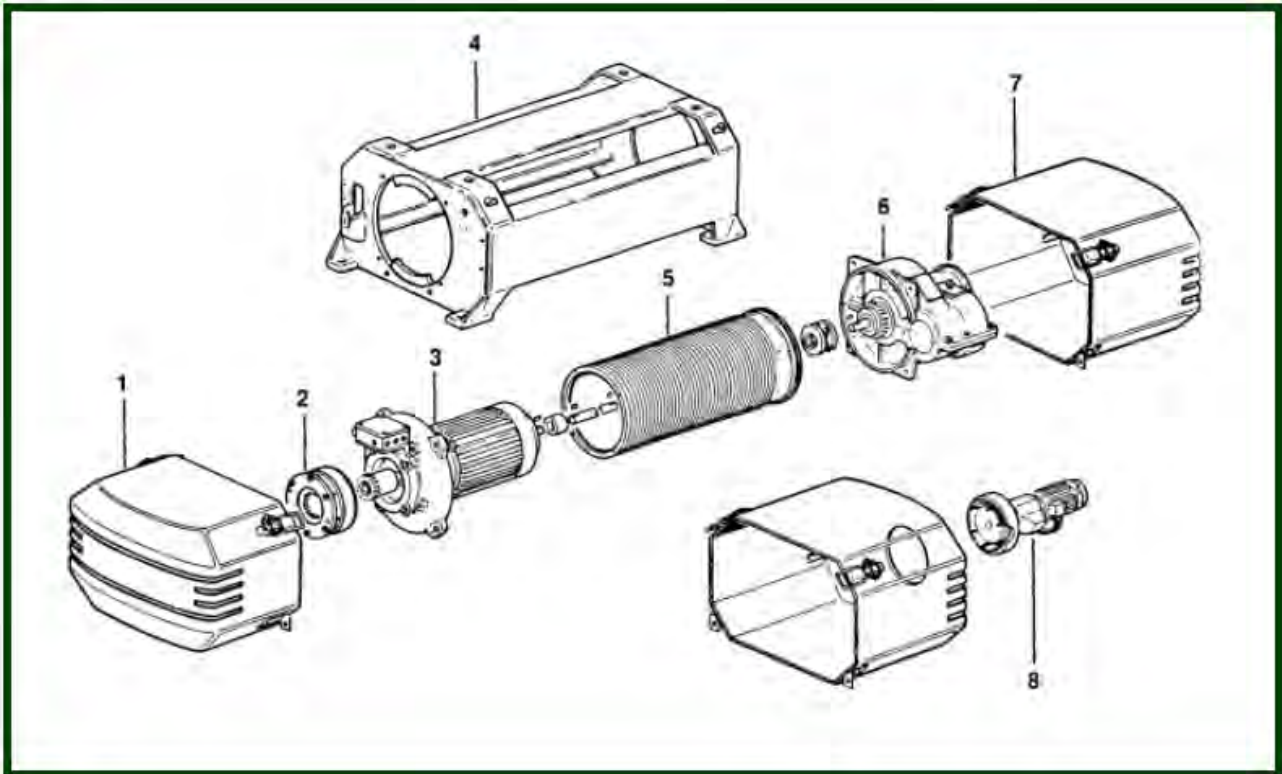
To avoid errors, when ordering please specify:

- Complete type of hoist
- Date of manufacture and serial number
- Spare part code
- Spare part designation
- Additional information



- 1) SUB-ASSEMBLIES**
- 2) DRUM / ROPE GUIDE**
- 3) HOISTING GEARBOX**
- 4) BRAKE**
- 5) 1 FALL HOOK / 2 FALLS HOOK BLOCK**
- 6) 4 FALLS HOOK BLOCK**
- 7) MONORAIL TROLLEY WITH 2 DRIVING WHEELS**
- 8) CRAB FRAME SE4 1 & 2 FALLS**
- 9) CRAB FRAME SE4 4 FALLS**
- 10) ELECTRICAL EQUIPMENT**

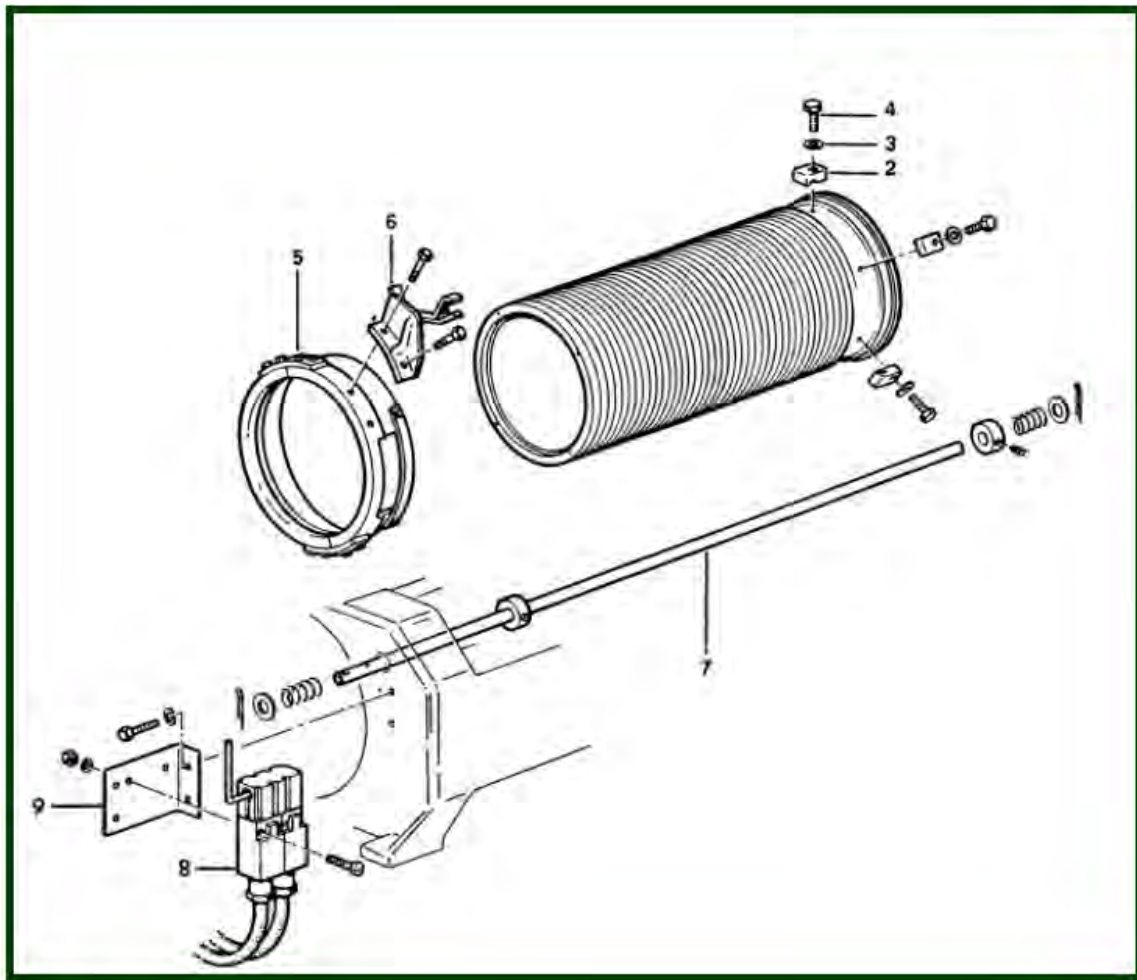
1) Sub-assemblies



item	reference	description	observation	Quantity
1	7252201C	Cap with screw		1
1	48533001	End cover motor end		1
1	344048533004	End cover motor end		1
2	48301001	Disc brake		1
3	48002017	Hoisting motor 22/7 Kw	220V	1
3	48012057	Hoisting motor 22/7 Kw	380V	1
3	48002127	Hoisting motor 22/7 Kw	415V	1
3	48001077	Hoisting motor 22 Kw	220/380V	1
3	48001127	Hoisting motor 22 Kw	415V	1
5	42101006	Drum L	Lg=1218mm	1
5	42101002	Drum L	Lg=1218mm	1
5	42101005	Drum N	Lg=733mm	1
5	42101001	Drum N	Lg=733mm	1
5	42101007	Drum SL	Lg=1708mm	1
5	42101003	Drum SL	Lg=1708mm	1
5	42101008	Drum UL	Lg=2108mm	1
5	42101004	Drum UL	Lg=2108mm	1
6	44001003	Hoisting gearbox 16m/mn		1
6	44001001	Hoisting gearbox 20m/mn		1
6	44001002	Hoisting gearbox 25m/mn		1
6	44001006	Hoisting gearbox 12m/mn		1
6	44001004	Hoisting gearbox 32m/mn		1
6	44001005	Hoisting gearbox 40 m/mn		1
7	48533002	End cover gearbox end		1

7	<u>344048533005</u>	End cover motor end		1
8	<u>48101003</u>	Microspeed 1/10 415V		1
8	<u>48101002</u>	Microspeed 1/16220/380V		1
8	<u>48101004</u>	Microspeed 1/16 415V		1
9	<u>48533006</u>	End cover microspeed end		1
9	<u>48533003</u>	End cover microspeed end		1

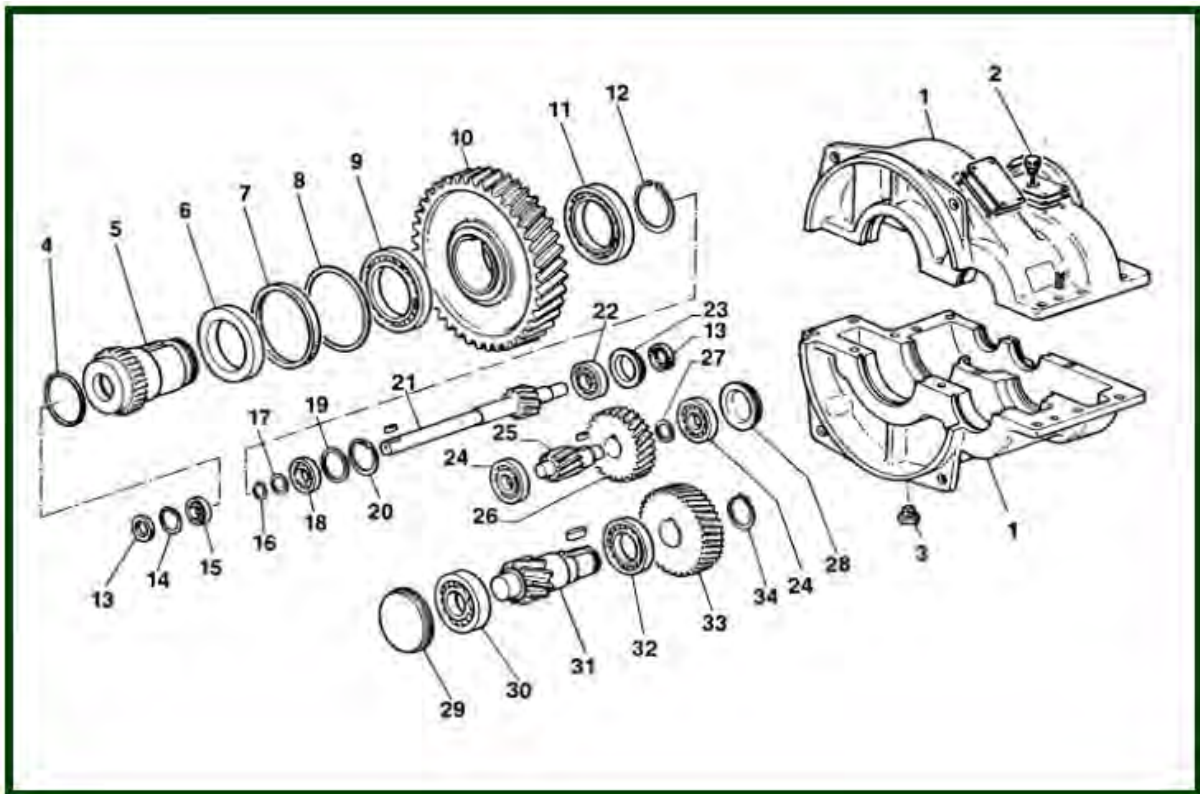
2) Drum / Rope guide



item	reference	description	observation	Quantity
2	6573	Rope drum Ø 16 and 20		1
3	7232160U	Washer		1
4	7211812B	Screw	2/1 & 4/1 < 5T	1
5	42301003	Rope guide left hand	Câble / Rope - Ø14mm - K3	1
5	42301004	Rope guide left hand	Câble / Rope - Ø15mm - K16	1
5	42301001	Rope guide left hand	Câble / Rope - Ø16mm - K2	1
5	42301005	Rope guide left hand	Câble / Rope - Ø18mm - K12	1
5	42301002	Rope guide left hand	Câble / Rope - Ø20mm - K5	1
5	42301006	Rope guide left hand	Câble / Rope - Ø22mm - K13	1
5	42301007	Rope guide right hand	Câble / Rope - Ø14mm - K11	1
5	42301008	Rope guide right hand	Câble / Rope - Ø15mm - K21	1
5	42301009	Rope guide right hand	Câble / Rope - Ø16mm - K9	1
5	42301010	Rope guide right hand	Câble / Rope - Ø18mm - K14	1
5	42301011	Rope guide right hand	Câble / Rope - Ø20mm - K7	1
5	42301012	Rope guide right hand	Câble / Rope - Ø22mm - K15	1
7	42502003	Limit switch	L - Lg 1385mm	1
7	42502002	Limit switch	N - Lg 900 mm	1
7	42502004	Limit switch	SL - Lg 1875 mm	1

7	<u>42502005</u>	Limit switch	UL - Lg 2275 mm	1
8	<u>12503001</u>	Limit switch without support		1
9	<u>12528001</u>	Limit switch contact support		1
-	<u>7313246F</u>	Rope non rotating - Ø 16mm	Au mètre	1
-	<u>7314046A</u>	Rope non rotating - Ø 20mm	Au mètre	1
-	<u>7323245Z</u>	Rope preformed - Ø 16mm	Au mètre	1
-	<u>7324046V</u>	Rope preformed - Ø 20mm	Au mètre	1

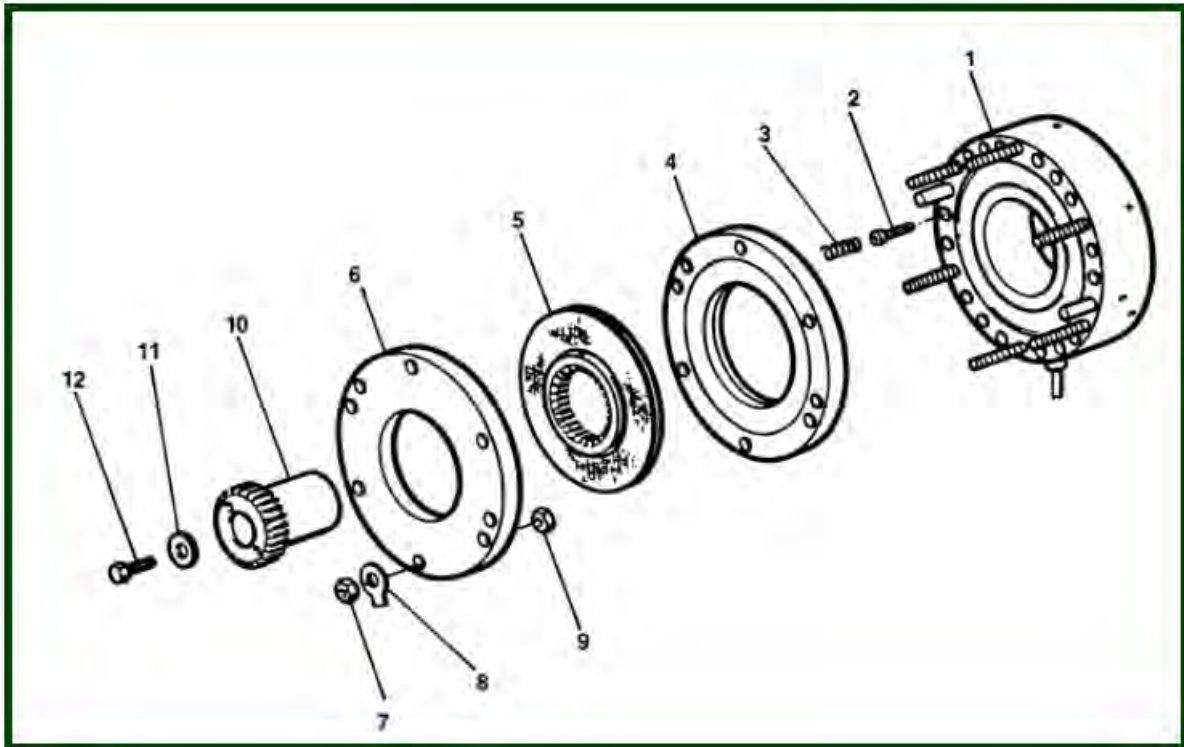
3) Hoisting gearbox



item	reference	description	observation	Quantity
1	44014001	Upper half casing+ lower half casing		1
2	3492	Oil jauge		1
3	3491	Drain plug		1
4	3482	Seal		1
5	44020001	Secondary shaft		1
6	44022001	Spacer ring		1
7	3412	Washer		1
8	44017001	Spacer collar		1
9	3410240J	Bearing		1
10	44019001	Gear		1
11	7410210B	Bearing		1
12	7261105F	Exterior circlip		1
13	3443	Seal		1
14	3474	Interior circlip		1
15	7410071A	Bearing		1
16	7262035S	Circlip - Ø 35		1
17	44017002	Spacer collar		1
18	7413070K	Bearing		1
19	44017003	Spacer collar		1
20	7261080D	Internal circlip - Ø 80		1
21	44020006	Primary shaft 12 m/mn		1
21	44020002	Primary shaft 20 and 10m/mn		1
21	44020003	Primary shaft 25 m/mn		1

21	<u>44020004</u>	Primary shaft 32 m/mn		1
21	<u>44020005</u>	Primary shaft 40 m/mn		1
22	<u>7424070S</u>	Bearing	DA	1
23	<u>3445</u>	Cap for bearing		1
24	<u>7424080C</u>	Bearing		1
24	<u>7424090P</u>	Bearing ball joint	Equipement galet traité / Treated wheel	1
25	<u>44020007</u>	Pinion shaft 16-12m/mn		1
25	<u>44020008</u>	Pinion shaft 20-25-32-40m/mn		1
26	<u>44019003</u>	Gear 12m/mn		1
26	<u>44019002</u>	Gear 16m/mn		1
26	<u>44019004</u>	Gear 20m/mn		1
26	<u>44019005</u>	Gear 25m/mn		1
26	<u>44019006</u>	Gear 32m/mn		1
26	<u>44019007</u>	Gear40m/mn		1
27	<u>44017005</u>	Spacer collar 12-16m/mn		1
27	<u>44017004</u>	Spacercollar 20-25-32-40m/mn		1
28	<u>3432</u>	Cap for bearing		1
29	<u>3424</u>	Cap for bearing		1
30	<u>7424120W</u>	Bearing		1
31	<u>44020009</u>	Pinion shaft		1
32	<u>3422</u>	Bearing		1
33	<u>44019009</u>	Gear 12-16m/mn		1
33	<u>44019008</u>	Gear 20-25-32-40m/mn		1
34	<u>3471</u>	Exteriorcirclip		1

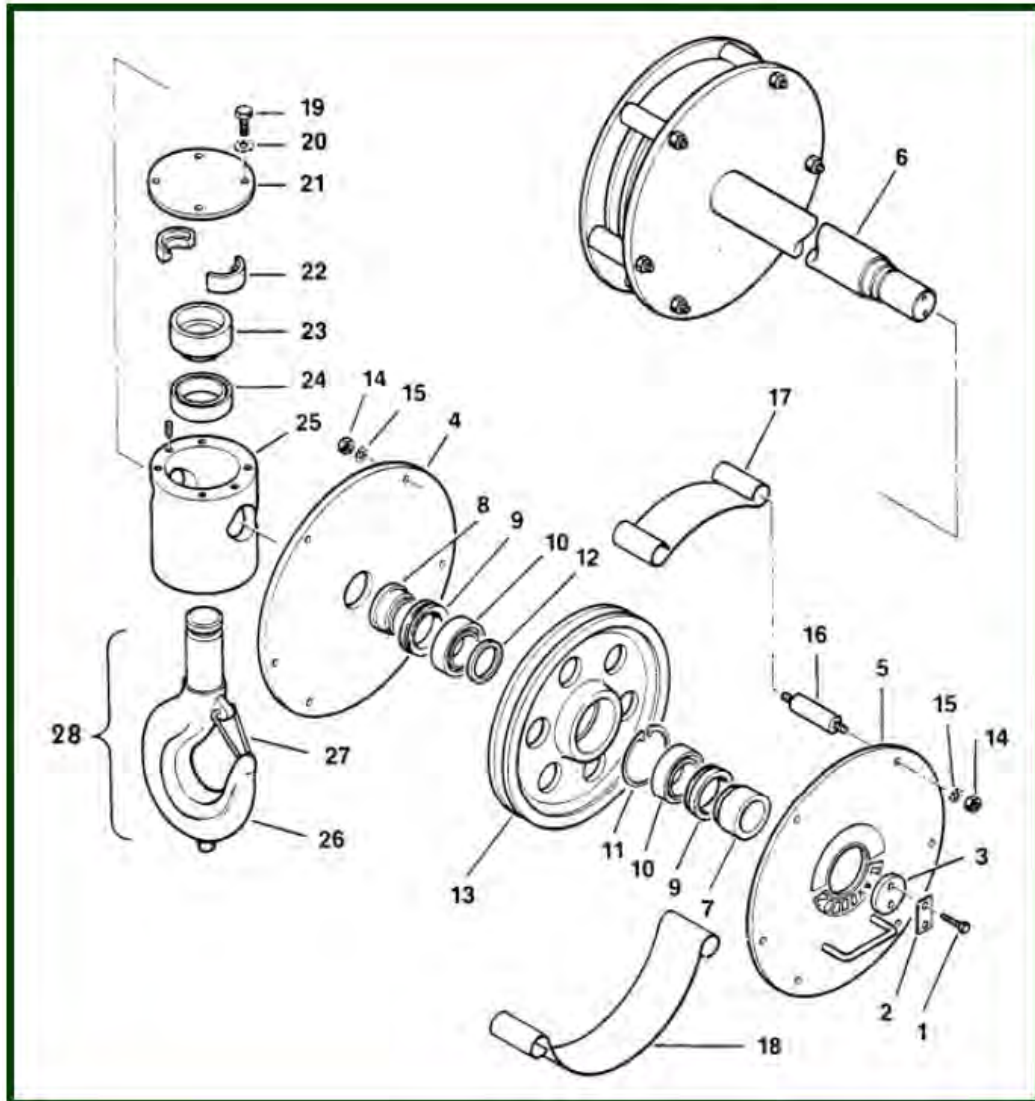
4) Brake



item	reference	description	observation	Quantity
2	3380	Screw		1
3	48332001	Pressure ring		1
4	48317001	Brake plate		1
5	48323001	Friction disc		1
6	48317002	Flange		1
7	001505	Nut		1
8	2821	Nut lock		1
9	001504	Nut		1
10	48323002	Coupling		1
11	7231162J	Plate washer	Câble / Rope Ø 11 mm	1
12	7211808X	Screw		1
-	48301001	Disc brake		1

9	<u>5273622Y</u>	Stop plate		1
10	<u>5273621X</u>	Washer		1
11	<u>5273618U</u>	Intermediary ring		1
12	<u>7461832N</u>	V-ring seal		2
13	<u>7425140E</u>	Ball bearing		2
14	<u>7261125C</u>	Circlips Ø 125		1
15	<u>5273628E</u>	Pulley 16 mm rope Ø		1
16	<u>5273414X</u>	Spacer collar		1
17	<u>5273412V</u>	Pulley axle		1
18	<u>5273619V</u>	Ring		1
19	<u>5273413W</u>	Closing plate		1
20	<u>7232120A</u>	Grower washer (12)		2
21	<u>7211656G</u>	Screw		2
22	<u>5273419C</u>	Thrust bearing cover		1
23	<u>7211454N</u>	Screw		4
24	<u>7232080G</u>	GROWER washer - Ø 8		4
25	<u>5263612T</u>	2 part collar		1
26	<u>7431122G</u>	Thrust bearing		1
27	<u>5273418B</u>	Crosshead		1
28	<u>5273629F</u>	Hook		1
29	<u>SR120F</u>	Steel safety catch		1
-	<u>3273411F</u>	2 falls hook block assembly 16 mm rope Ø		1
-	<u>3273410E</u>	2 falls hook block assembly 20 mm rope Ø		1
-	<u>5273620W</u>	Pulley 20 mm rope Ø		1

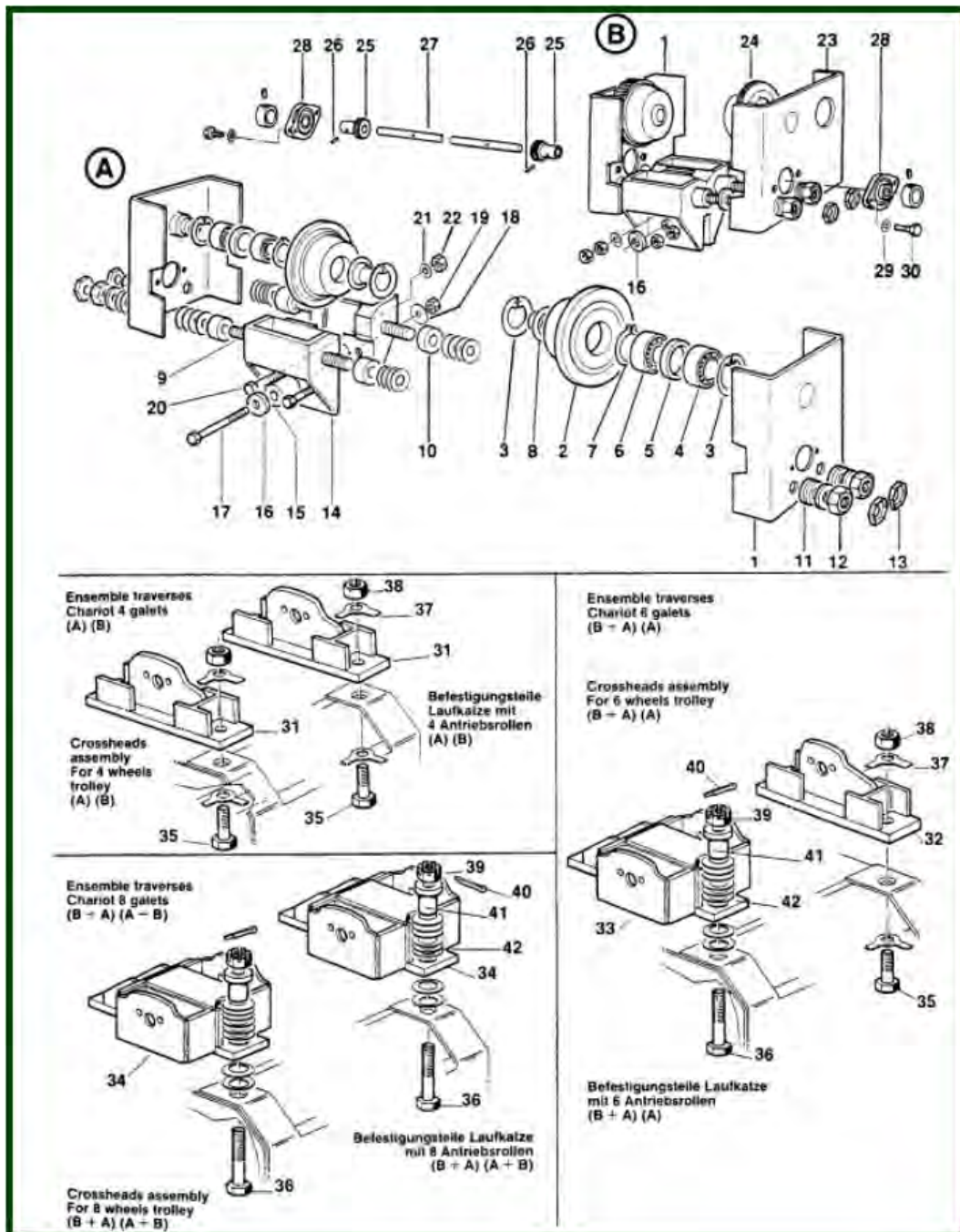
6) 4 falls hook block



item	reference	description	observation	Quantity
1	7211656G	Screw		4
2	5273622Y	Stop plate		2
3	5273621X	Washer		2
4	5273616S	Internal bottom block gearbox		2
5	5273617T	External bottom block gearbox		2
6	5273615R	Pulley axle		1
7	5273618U	Intermediary ring		2
8	5273619V	Ring		2
9	7461832N	V-ring seal		4
10	7425140E	Ball bearing		4
11	7261125C	Circlips Ø 125		2
12	5273414X	Spacer collar		2
13	5273628E	Pulley 16 mm rope Ø		1
13	5273620W	Pulley 20 mm rope Ø		1

14	<u>7221160N</u>	Nut		24
15	<u>7232160U</u>	Washer		24
16	<u>5273623Z</u>	Spacerring		12
17	<u>5273625B</u>	Upper hoop piece		2
18	<u>5273624A</u>	Lower hoop piece		2
19	<u>7211456Q</u>	Screw	-	4
20	<u>7232080G</u>	GROWER washer - Ø 8		4
21	<u>5273627D</u>	Cover		1
22	<u>5273632J</u>	Half segment ring		1
23	<u>5273634L</u>	Dish		1
24	<u>7431201T</u>	Ball end stop		1
25	<u>5273631H</u>	Hook crosshead		1
26	<u>5273630G</u>	Hook		1
27	<u>SR200F</u>	Safety clip		1
28	<u>5273610K</u>	Complete hook	20 T	1
-	<u>3273611Z</u>	4fall hook block complete 16 mm rope Ø		1
-	<u>3273612Z</u>	4fall hook block complete 20 mm rope Ø		1

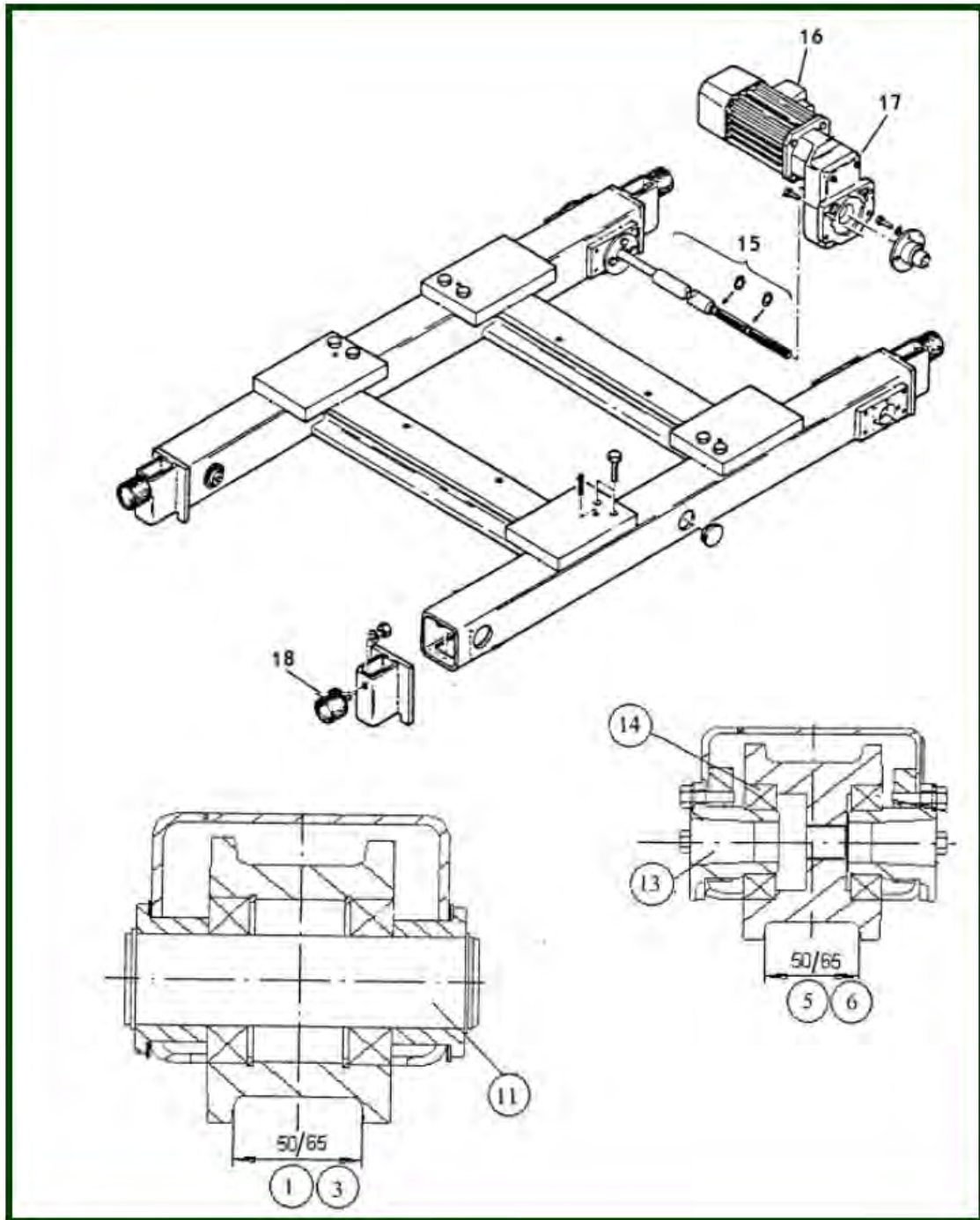
7) Monorail trolley with 2 driving wheels



item	reference	description	observation	Quantity
1	3551113F	Ungeared side plate		1
2	5451151Q	Idler runner without fittings with axle	180 x 216	1
3	7261090Q	Interior circlip		1
4	7424080C	Bearing		1
5	5451155U	Collar 82 x 89 x 12		1
6	7412101G	Bearing	Après / After 06 / 83	1

7	<u>7262040X</u>	Exterior circlip		1
8	<u>5243615G</u>	Cap		1
9	<u>5442102D</u>	Spacer	Lg 370mm	2
9	<u>5452102Y</u>	Spacer	Lg 440mm	2
9	<u>5452106C</u>	Spacer	Lg 540mm	2
10	<u>5442116U</u>	Collar	ép. /th. 25mm	1
10	<u>5442117V</u>	Collar	ép. /th. 50mm	1
11	<u>7153629J</u>	Adjustment washer	Ep. / th 2mm	1
11	<u>7153639V</u>	Adjustment washer	Ep. / th 3 mm	1
12	<u>7221360E</u>	Nut		4
13	<u>7223360D</u>	PAL nut		4
14	<u>5542252N</u>	Crosshead		2
15	<u>5542208Q</u>	Suspensions sleeves		1
16	<u>7285050H</u>	Disc washer	11 x 50 x 4	2
17	<u>7211464Y</u>	Screw		1
18	<u>7231082X</u>	Washer		1
19	<u>7221080A</u>	HM nut (8)		1
20	<u>7211916Q</u>	Screw		2
21	<u>7231202C</u>	Washer		2
22	<u>7221200F</u>	M20 nut		2
23	<u>3551312X</u>	Geared side plate complete		2
24	<u>5451351G</u>	Geared wheel only	180 x 216	1
25	<u>5833520H</u>	Intermediate pinion	20 Dts / 20 th	2
26	<u>7273356X</u>	MECANINDUS 6 x 30 pin		2
27	<u>35015002</u>	Jackshaft länge=450mm		1
27	<u>35015004</u>	Jackshaft länge=530mm		1
27	<u>35015001</u>	Shaft	L 400 mm	1
27	<u>35015003</u>	Shaft	L 500 mm	1
28	<u>7447100Z</u>	Bearing PFT		2
29	<u>7232160U</u>	Washer		4
30	<u>7211453L</u>	Screw HM 8x16		4

8) Crab frame SE4 1 & 2 falls



item	reference	description	observation	Quantity
1	25803003	Travel wheel set - ø 140 - G50	VS404 / VP14 VS502 VS504 < 16T	1
3	25803006	Travel wheel set - ø 140 - G65	VS404 / VP14 VS502 VS504 < 16T	1
5	25803001	Driving wheel set - ø 140 - G50	VS404 / VP14 - VS502 VS504 < 16T	1
6	25803005	Driving wheel set - ø 140 - G65	VS404 / VP14 - VS502 VS504 < 16T	1
11	25803007	Shaft travel wheel	VP14 - VS404 - VS502 - VS504 < 16T	1
13	25803002	Bearing flange set	VP14 - VS404 - VS502 - VS504 < 16T	1
14	7412112U	Bearing compl.	VP14 - VS404 - VS502 - VS504 < 16T	2

15	<u>25501003</u>	Drive shaft	VP14 - 0,9 m	1
15	<u>25501005</u>	Drive shaft	VP14 - 1,4 m	1
15	<u>25501004</u>	Drive shaft	VP14 - 1 m	1
15	<u>25501007</u>	Drive shaft	VP14 - 2,4 m	1
15	<u>25501006</u>	Drive shaft	VP14 - 2 m	1
16	<u>25809303</u>	Travelling motor MF07LB104 +PTC -3000-750t/mn-380V/50Hz 0.45/0.11kw avec sondes	Prise Wieland avant avril 1999 Wieland plug before april 1999	1
16	<u>25518202</u>	Travelling motor MF07ZB206 1500-500t/mn-220V/50Hz 0.37/0.10kw	Prise Wieland avant avril 1999 Wieland plug before april 1999	0
16	<u>25518204</u>	Travelling motor MF07ZB206 1500-500t/mn-415V/50Hz 0.37/0.10kw	Prise Wieland avant avril 1999 Wieland plug before april 1999	0
16	<u>25518203</u>	Travelling motor MF07ZB206 1500-500t/mn-380-400V/50Hz 0.37/0.10kw	Prise Wieland avant avril 1999 Wieland plug before april 1999	1
16	<u>25808302</u>	Travelling motor MF07LB104 3000-750t/mn-220V/50Hz - 0.45/0.11Kw	Prise Wieland avant avril 1999 Wieland plug before april 1999 GS332RPC : VS306 - GS315RPC : VS306 6,3T	1
16	<u>25808303</u>	Travelling motor MF07LB104 3000-750t/mn-380-400V/50Hz - 0.45/0.11KW	Prise Wieland avant avril 1999 Wieland plug before april 1999 GS332RPC : VS306 - GS315RPC : VS306 6,3T	1
16	<u>25808304</u>	Travelling motor MF07LB104 3000-750t/mn-415V/50Hz - 0.45/0.11KW	Prise Wieland avant avril 1999 Wieland plug before april 1999 GS332RPC : VS306 - GS315RPC : VS306 6,3T	1
17	<u>25883030</u>	Gear GS 350 RFB		1
17	<u>25883020</u>	Gear GS 363 RFB		1
18	<u>15503007</u>	Buffer set		4

9) Crab frame SE4 4 falls

item	reference	description	observation	Quantity
-	<u>55803001</u>	Driving wheel VH25 Groove 65 complete		1
-	<u>55803002</u>	Motor shaft VH25		1
-	<u>55803004</u>	Shaft travel wheel VH25		1
-	<u>55803003</u>	Travel wheel VH25 Groove 65 complete		1

10) Electrical equipment

item	reference	description	observation	Quantity
-	<u>7633403C</u>	2 speed contact element	XENG1191	0
-	<u>7632422L</u>	Box casing with clamp 2 buttons	XAC A02	0
-	<u>7661915U</u>	Bull dog grip SIMPLEX		0
-	<u>7632412A</u>	Buttons with black gummi	XAC A9412	0
-	<u>7632413B</u>	Buttons with red gummi	XAC A9414	0
-	<u>7641109D</u>	Cable gland (9)	Câble rond	0
-	<u>7641111F</u>	Cable gland (11)	Câble rond	0
-	<u>7641113H</u>	Cable gland (13)	Câble rond	0
-	<u>7641116L</u>	Cable gland (16)	Câble rond	0
-	<u>7642029D</u>	Cable gland (21)	1 câble plat 4x2.5 ²	0
-	<u>7642129N</u>	Cable gland (29)	1 câble plat 4x6 ²	0
-	<u>7642229W</u>	Cable gland (29)	1 câble plat 8x1.5 ²	0
-	<u>7642329E</u>	Cable gland (29)	2 câbles plats 4x6 ²	0
-	<u>7642329E</u>	Cable gland (29)	2 câbles plats 4x6 ²	0
-	<u>7642429P</u>	Cable gland (29)	2 câbles plats 8x1.5 ²	0
-	<u>7641129A</u>	Cable gland (29)	Câble rond	0
-	<u>7642536E</u>	Cable gland (36)	1 câble plat 4x16 ²	0
-	<u>7642236D</u>	Cable gland (36)	1câbleplat 12x1,5 ²	0
-	<u>7642236D</u>	Cable gland (36)	1câbleplat 12x1,5 ²	0
-	<u>7641136H</u>	Cable gland (36)	Câble rond	0
-	<u>7642648B</u>	Cable gland (48)	1 câble plat 4x25 ²	0
-	<u>7648109N</u>	Cap nut (9)		0
-	<u>7648111Q</u>	Cap nut (11)		0
-	<u>7648113S</u>	Cap nut (13)		0
-	<u>7648116V</u>	Cap nut (16)		0
-	<u>7648121A</u>	Cap nut (21)		0
-	<u>7648129J</u>	Cap nut (29)		0
-	<u>7648136S</u>	Cap nut (36)		0
-	<u>13000260001</u>	Connector for POK relay		1
-	<u>7532526D</u>	Contacteur ON/OFF	LC1D65E7	0
-	<u>8812052T</u>	Control cable	5x1.5mm ²	0
-	<u>8812152B</u>	Control cable	16x1,5 mm ²	0
-	<u>7611643A</u>	Control panel DE2GB643		0
-	<u>7521113Y</u>	Diode rectifier 40HA60		4
-	<u>7581715V</u>	Earth MS4/6		0
-	<u>7578401T</u>	Fuse 5A-tempo		0
-	<u>7575306D</u>	Fuse 6AM		0
-	<u>7576408B</u>	Fuse 8AM		0
-	<u>7575110R</u>	Fuse 10Ag		0
-	<u>7575310H</u>	Fuse 10AM		0
-	<u>7575112T</u>	Fuse 12Ag		0
-	<u>7576412F</u>	Fuse 12AM		0
-	<u>7573751P</u>	Fuse carrier GK1EV		0

-	7573381L	Fuse support		0
-	7573242K	Fuse support	BC31	0
-	7641121S	Gland 21	Câble rond	0
-	7581725F	Gland diam :30		0
-	7531623X	Interlocked contactor	LC2D803E	0
-	7531122C	Interlocked contactors 400V/48V - LC2D129E	AK1-AK2 - Moteur/Motor P1-P2-P3-N1-N2	0
-	7531325Y	Interlocked contactors 400V/48V - LC2D259E	AK1-AK2 Moteur/Motor P5	0
-	7634431V	Label - Off	ZB2BY2931	0
-	7532126U	Main contactor 400V-48V	LC1D123E	0
-	7614060C	Mounting plate for electric equipment		0
-	7633401A	One step control part low voltage control with 1 « F » contact	ZB2 BE101	0
-	7633402B	One step control part low voltage control with 1 « O » contact	ZB2 BE102	0
-	8812202F	Pendant cable without green / yellow	20x1,5 mm ²	0
-	7535214A	Relay	LT25A30E	0
-	7533511Y	Relay CA2DN122E		0
-	7535414T	Relay FINDER	48V	0
-	7535213Z	Relay POK 2A.		0
-	7632401P	Rubber protection cover	XAC A960	0
-	7634416D	Sticker backward	ZB2BY2916	0
-	7634417E	Sticker backward high speed	ZB2BY2917	0
-	7634418F	Sticker backward slow speed- high speed	ZB2BY2918	0
-	7634404R	Sticker down	ZB2BY2904	0
-	7634405S	Sticker down high speed	ZB2BY2905	0
-	7634406T	Sticker down slow speed-high speed	ZB2BY2906	0
-	7634413A	Sticker forward	ZB2BY4913	0
-	7634414B	Sticker forward high speed	ZB2BY4914	0
-	7634415C	Sticker forward slow speed-high speed	ZB2BY4915	0
-	7634410X	Sticker left	ZB2BY2910	0
-	7634411Y	Sticker left high speed	ZB2BY2911	0
-	7634412Z	Sticker left slow and high speed	ZB2BY2912	0
-	7634430U	Sticker ON	ZB2BY4930	0
-	7634435Z	Sticker ON-ALARM	ZB2BY4935	0
-	7634407U	Sticker right	ZB2BY4907	0
-	7634408V	Sticker right high speed	ZB2BY4908	0
-	7634409W	Sticker right slow speed-high speed	ZB2BY4909	0
-	7634401N	Sticker UP	ZB2BY4901	0
-	7634402P	Sticker UP high speed	ZB2BY4902	0
-	7634403Q	Sticker UP slow speed-high speed	ZB2BY4903	0
-	7518161Q	Transformer 630VA 380/0	24 24 12V	1
-	7532621G	Two speed selection contactor	LC1D808E-TH	0
-	7532122Q	Two speeds selection contactor	LC1D128E	0