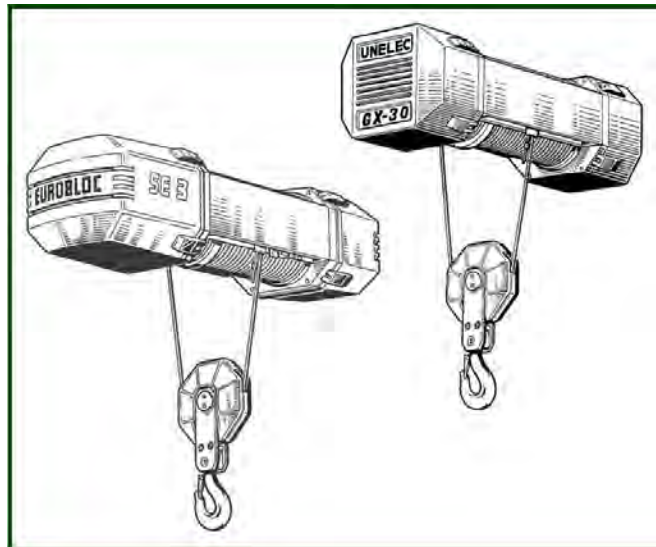


Spare parts catalog for "SE3 - GX30"

To avoid errors, when ordering please specify:

- Complete type of hoist
- Date of manufacture and serial number
- Spare part code
- Spare part designation
- Additional information



1) SUB-ASSEMBLIES

2) HOIST MOTOR

- 2.1) SE Motor
- 2.2) GX Motor

3) MICRO-SPEED

4) DRUM / ROPE

- 4.1) Precut rope

5) ROPE GUIDE / LIMIT SWITCH

6) HPN 2/1 4/1

7) HPN 6/1

8) HPR 2/1 4/1

9) HOISTING GEARBOX

10) HOOK BLOCK - 1 FALL

11) HOOK BLOCK - 2 FALLS

12) HOOK BLOCK - 4 FALLS

13) HOOK BLOCK - 6 FALLS

14) STANDARD HEADROOM MONORAIL TROLLEY 2/1

15) STANDARD HEADROOM MONORAIL TROLLEY 4/1

16) STANDARD HEADROOM MONORAIL TROLLEY 6/1

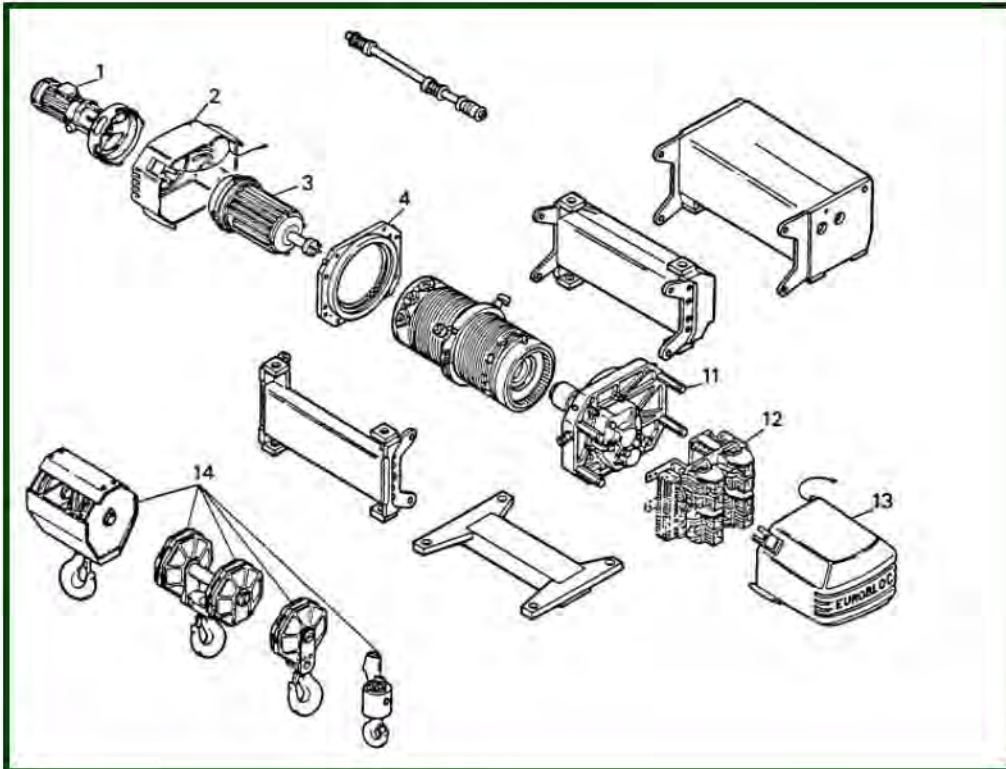
17) REDUCED HEADROOM MONORAIL TROLLEY 2/1-4/1

18) CRAB FRAME SE3 1 AND 2 FALLS

19) CRAB FRAME SE3 4 FALLS

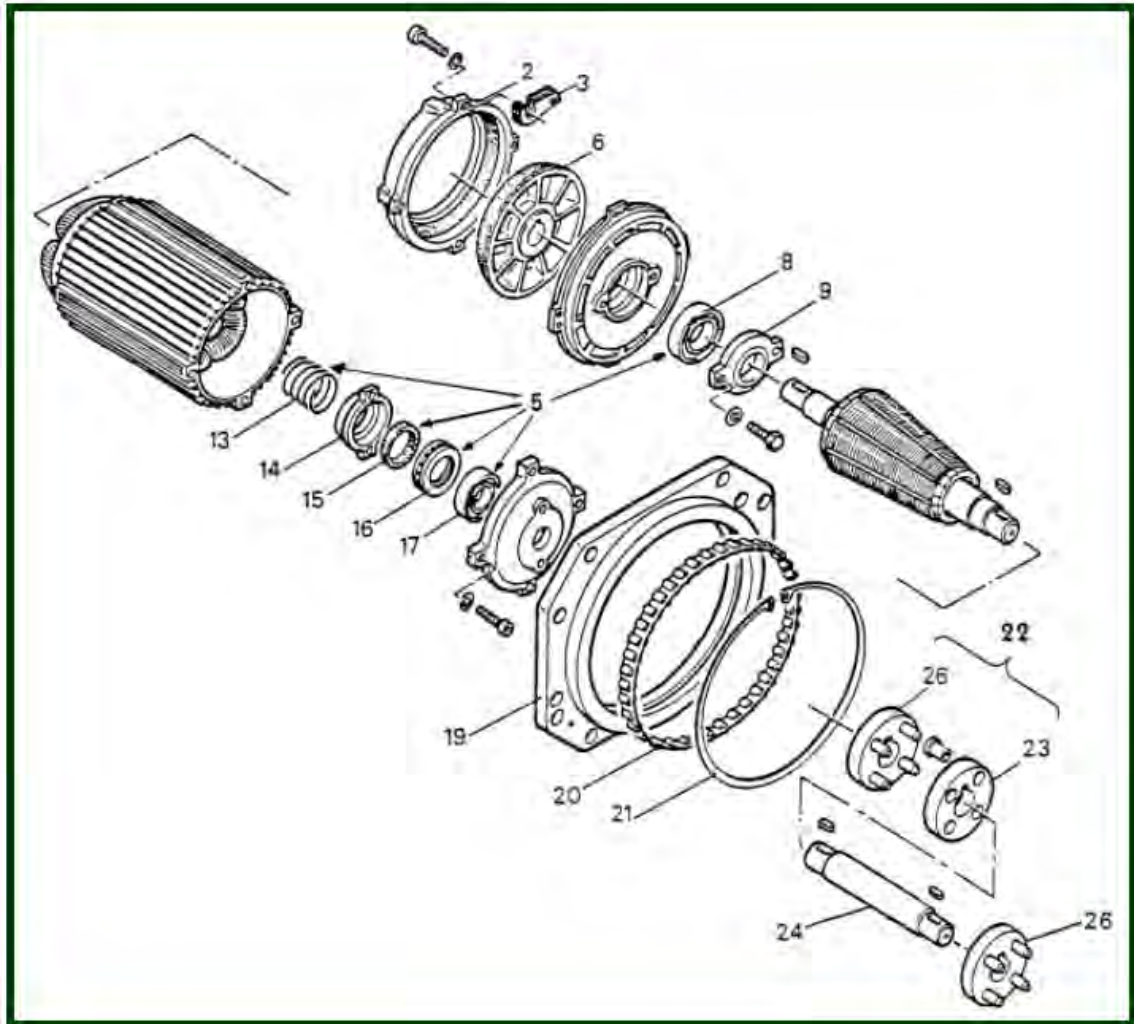
20) ELECTRICAL EQUIPMENT

1) Sub-assemblies

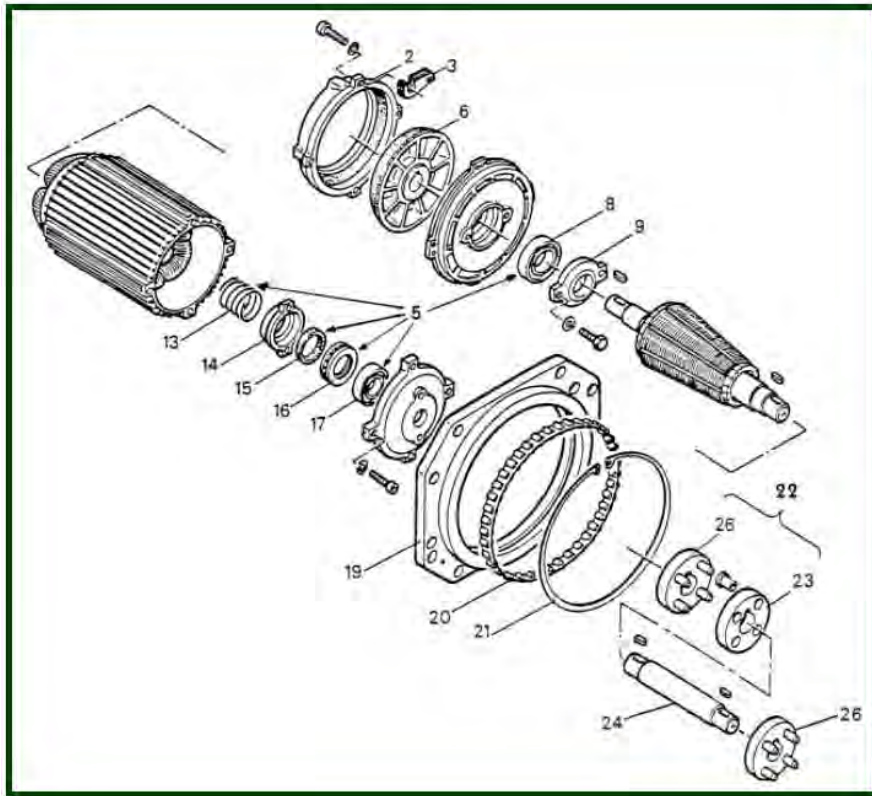


| item | reference | description | observation | Quantity |
|------|--------------------------|-------------------------------------|---|----------|
| 1 | 38103079 | Micro-speed 1,3Kw 220/380V | | 1 |
| 1 | 38103129 | Micro-speed 1,3Kw 415V | | 1 |
| 1 | 38101001 | Micro-speed 1 speed 1,3Kw 220/380V | | 1 |
| 1 | 38101002 | Micro-speed 1 speed 415V | | 1 |
| 2 | 38533003 | Micro-speed housing | | 1 |
| 2 | 38533001 | Motor housing | | 1 |
| 3 | 38002015 | Hoist motor 7,5/2,5Kw2 speed 220V | | 1 |
| 3 | 38002055 | Hoist motor 7,5/2,5Kw2 speed 380V | | 1 |
| 3 | 38002125 | Hoist motor 7,5/2,5Kw2 speed 415V | | 1 |
| 3 | 38001075 | Hoist motor 7,5Kw1 speed 220/380V | | 1 |
| 3 | 38001125 | Hoist motor 7,5Kw1 speed 415V | | 1 |
| 3 | 38001076 | Hoist motor 12,5Kw 1 speed 220/380V | | 1 |
| 3 | 38001126 | Hoist motor 12,5Kw1 speed 415V | | 1 |
| 4 | 31125002 | Motor end plate | | 1 |
| 11 | 34001003 | Hoist gearbox 16m/mn | | 1 |
| 11 | 34001001 | Hoist gearbox 20m/mn | | 1 |
| 11 | 34001002 | Hoist gearbox 25m/mn | | 1 |
| 11 | 34001004 | Hoist gearbox 32m/mn | | 1 |
| 12 | NC(5) | External chain guide | Not supplied anymore replaced by 52309591 | 1 |
| 13 | 38533002 | Gearbox housing | | 1 |
| 14 | 33201001 | Complete hook block - 2 falls | | 1 |
| 14 | 33401001 | Complete hook block - 4 falls | | 1 |
| 14 | 33601001 | Complete hook block - 6 falls | | 1 |
| 14 | 33801001 | Complete hook block - 8 falls | | 1 |
| 14 | 5233610G | Hook with safety catch | | 1 |
| - | 7252201C | Cap with screw | | 1 |
| - | 7791300E | Cover seal | | 1 |

2) Hoist motor

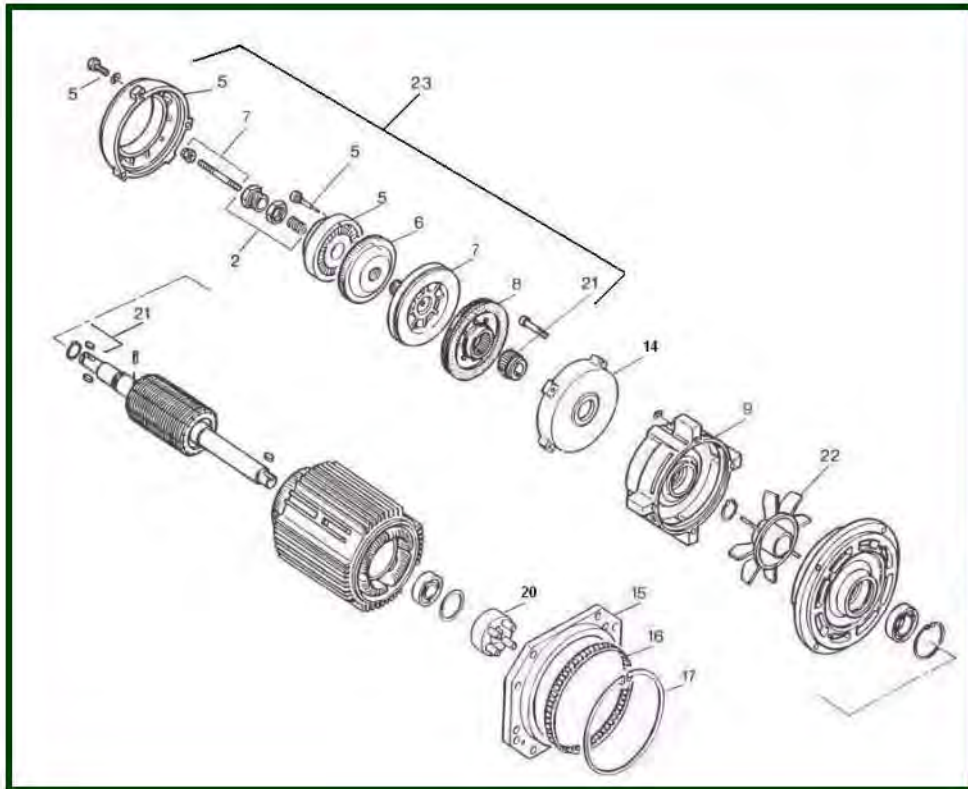


2.1) SE Motor



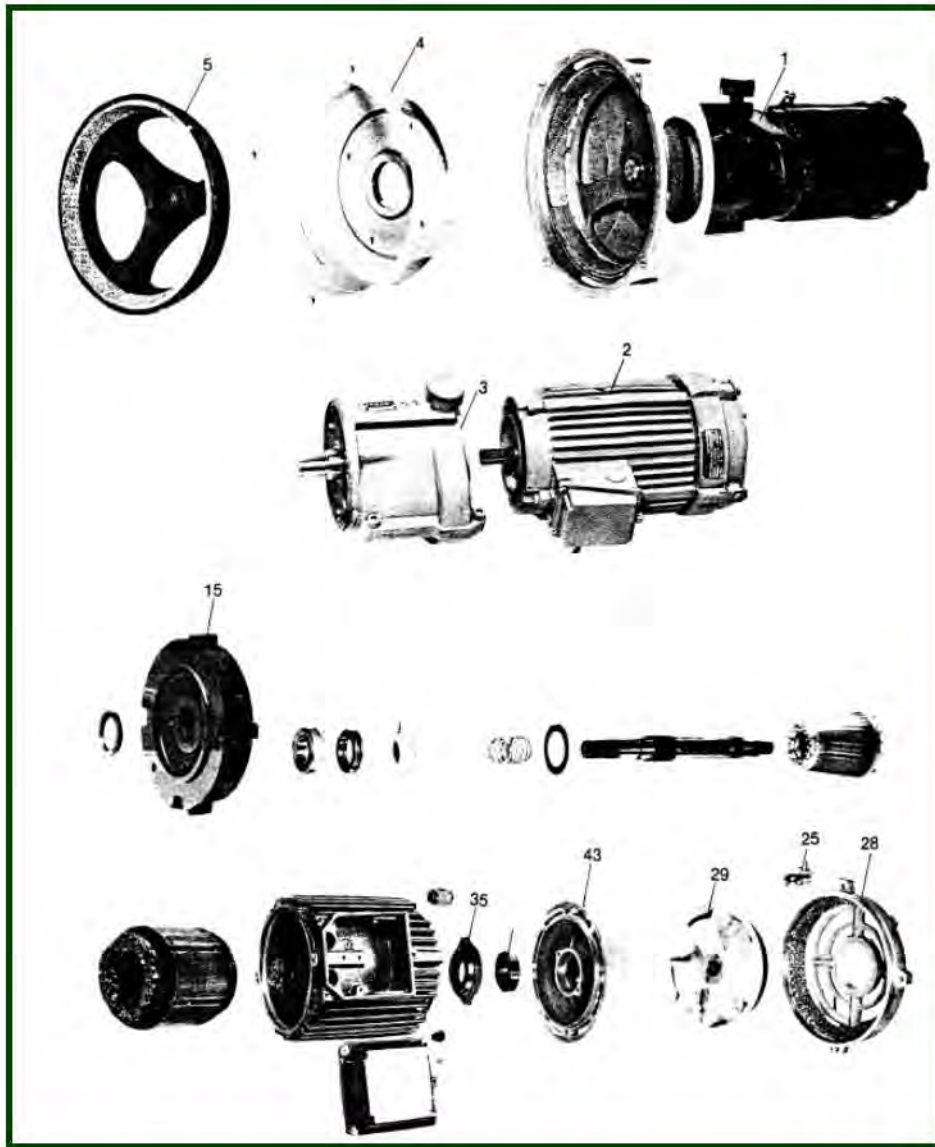
| item | reference | description | observation | Quantity |
|------|--------------------------|---------------------------------|----------------|----------|
| 2 | 38023001 | Brake end cap with brake lining | | 1 |
| 3 | 38023003 | Adjustment shims | | 4 |
| 5 | 38003001 | Repair kit for hoisting motor | 8+13+15+16+17 | 1 |
| 6 | 38023002 | Brake cone | | 1 |
| 7 | 2475 | Brake end-plate | | 1 |
| 9 | 38022005 | Bearing | | 1 |
| 13 | 38032001 | HF624 spring | 12 KW | 1 |
| 13 | 38032002 | HF634 spring | 7,5 KW mono/bi | 1 |
| 14 | 2307 | Bearing | | 1 |
| 19 | 31125002 | Motor end plate | | 1 |
| 20 | 31111001 | Bearing | | 1 |
| 21 | 31117001 | Circlip | | 1 |
| 22 | 22401001 | Complete coupling | 25+ 26 | 1 |
| 23 | 22417002 | Coupling female | | 1 |
| 24 | 32401002 | Drive shaft SL | 23+24+25+26 | 1 |
| 24 | 32401003 | Drive shaft UL | 23+24+25+26 | 1 |
| 25 | 7282464N | Key | | 1 |
| 26 | 22417001 | Coupling male | | 1 |
| - | 38023004 | NITROC Brake cone | | 1 |

2.2) GX Motor



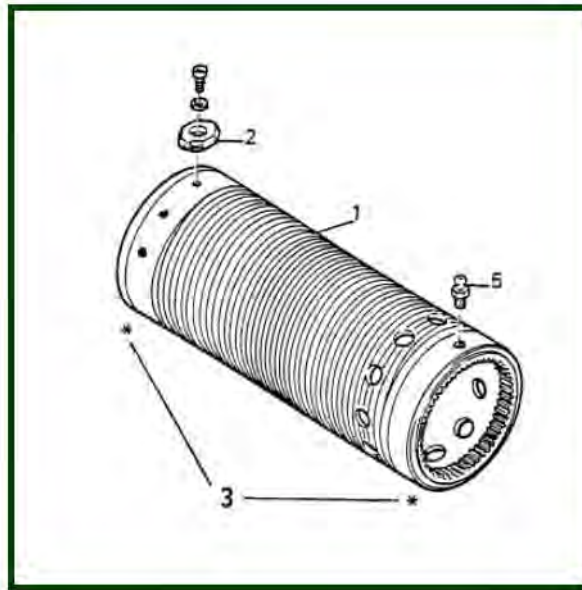
| item | reference | description | observation | Quantity |
|------|------------------------------|---|-------------------------------------|----------|
| 2 | 342028323028 | Brake torque adjustment set - Brake FCL 132 | 25+26+27+28 | 1 |
| 5 | 342028323025 | Brake coil set | Bivitesse | 1 |
| 6 | 342028323024 | Frame - Brake FCL 132 | Moteur 3141061510RD et 3141061511RD | 1 |
| 7 | 343038223001 | Brake set - Brake FCL 132 | 12+25+27 | 1 |
| 8 | 343038223003 | Brake disc with lining - Brake FCL 132 | | 1 |
| 9 | 343000680002 | Flange-type bearing | | 1 |
| 14 | 343013263049 | Brake casing | | 1 |
| 15 | 343031125002 | Motor end plate | | 1 |
| 16 | 343031111001 | Bearing (roller bearing) | | 1 |
| 17 | 343031117001 | Interior circlip | | 1 |
| 20 | 22417001 | Coupling male | | 1 |
| 21 | 343038222008 | Hub set - Brake FCL 132 | | 1 |
| 22 | 343038222007 | Ventilator - Brake FCL 132 | | 1 |
| 23 | 343038203001 | Complet brake | | 1 |
| - | 34307346581Q | Hoist motor 2 speed type 735/2.5 kW | | 1 |
| - | 34307346281P | Hoist motor single-speed 7.5 kW | | 1 |
| - | 34307346291Z | Hoist motor single-speed type 12.5 kW | | 1 |

3) Micro-speed



| item | reference | description | observation | Quantity |
|------|--------------------------|------------------------------------|-------------|----------|
| 1 | 38101001 | Micro-speed 1 speed 1,3Kw 220/380V | | 1 |
| 1 | 38101002 | Micro-speed 1 speed 415V | | 1 |
| 2 | 38103079 | Micro-speed 1,3Kw 220/380V | | 1 |
| 2 | 38103129 | Micro-speed 1,3Kw 415V | | 1 |
| 3 | 38140001 | Gearbox micro speed | | 1 |
| 4 | 38121001 | Brake wheel cover | | 1 |
| 5 | 38123001 | Brake cone | | 1 |
| 15 | 38125001 | Gearbox housing | | 1 |
| 25 | 38133001 | Adjustment shims | | 1 |
| 28 | 28123002 | Brake end cap with brake lining | | 1 |
| 29 | 28123004 | Brake cone | | 1 |
| 35 | 28122002 | Bearing | | 1 |
| 43 | 28122001 | Bearing cover | | 1 |

4) Drum / Rope

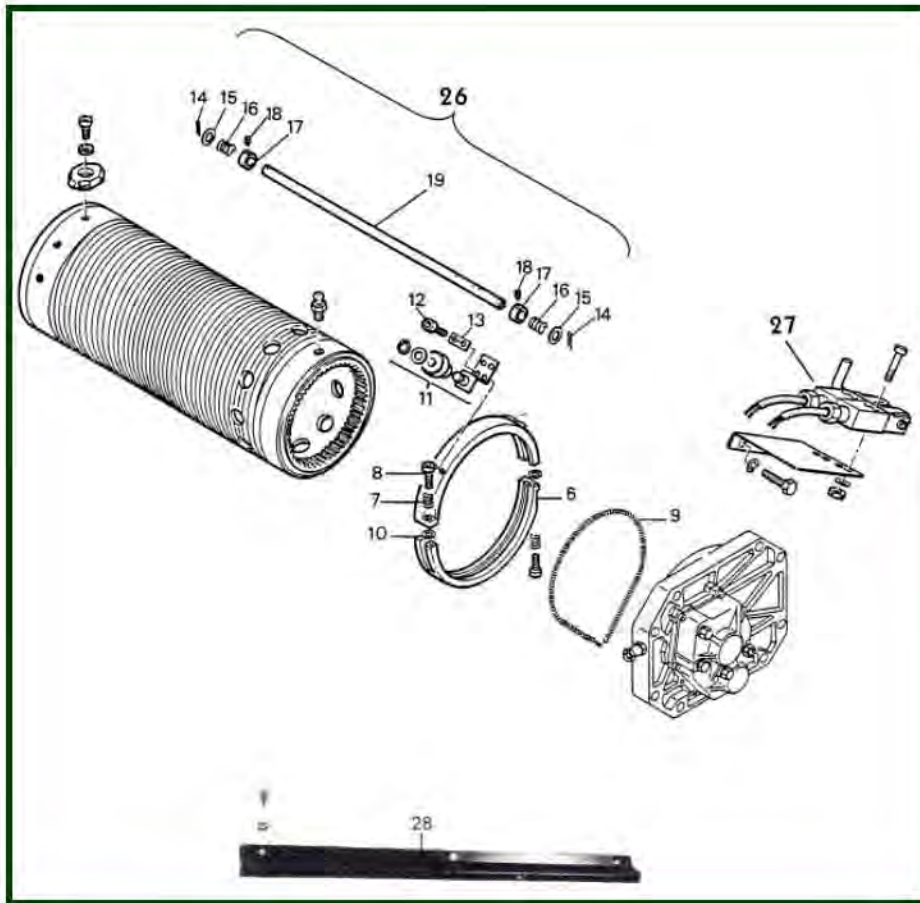


| item | reference | description | observation | Quantity |
|------|--------------------------|-------------------------------|--|----------|
| 1 | 32135007 | Rope drum for rope - Ø 10,5mm | L - 2F - pas 11,3mm Lg 770mm | 1 |
| 1 | 32135008 | Rope drum for rope - Ø 10,5mm | SL - 2F - pas 11,3mm Lg 1210mm | 1 |
| 1 | 32135009 | Rope drum for rope - Ø 10,5mm | UL - 2F - pas 11,3 mm Lg 1680mm | 1 |
| 1 | 32135001 | Rope drum for rope - Ø 14mm | L - 1F - pas 15,7mm Lg 770mm - Droite/Right | 1 |
| 1 | 32135004 | Rope drum for rope - Ø 14mm | L - 2F - pas 15,7mm Lg 770mm | 1 |
| 1 | 32135002 | Rope drum for rope - Ø 14mm | SL - 1F - pas 15,7mm Lg 1210mm - Droite/Right | 1 |
| 1 | 32135003 | Rope drum for rope - Ø 14mm | UL - 1F - pas 15,7mm Lg 1680mm - Droite/Right | 1 |
| 1 | 32135005 | Rope drum for rope - Ø 15,7mm | SL - 2 F - pas de 15,7mm Lg 1210mm | 1 |
| 1 | 32135006 | Rope drum for rope - Ø 15,7mm | UL - 2F - pas 15,7mm Lg 1680mm | 1 |
| 2 | 12133001 | Rope anchor on drum | VS2-VS4 | 4 |
| 3 | 22133002 | Drump thrust motor | | 2 |
| - | 7312146Q | Non rotating wire rope - Ø14 | UL - 2/1 - Mètre / Meter | 1 |
| - | 7322835D | Preformed wire rope - Ø 14 | UL - 8/1 - Mètre / Meter | 1 |
| - | 7333140E | Rope clamp - Ø 14 | | 1 |

4.1) Precut rope

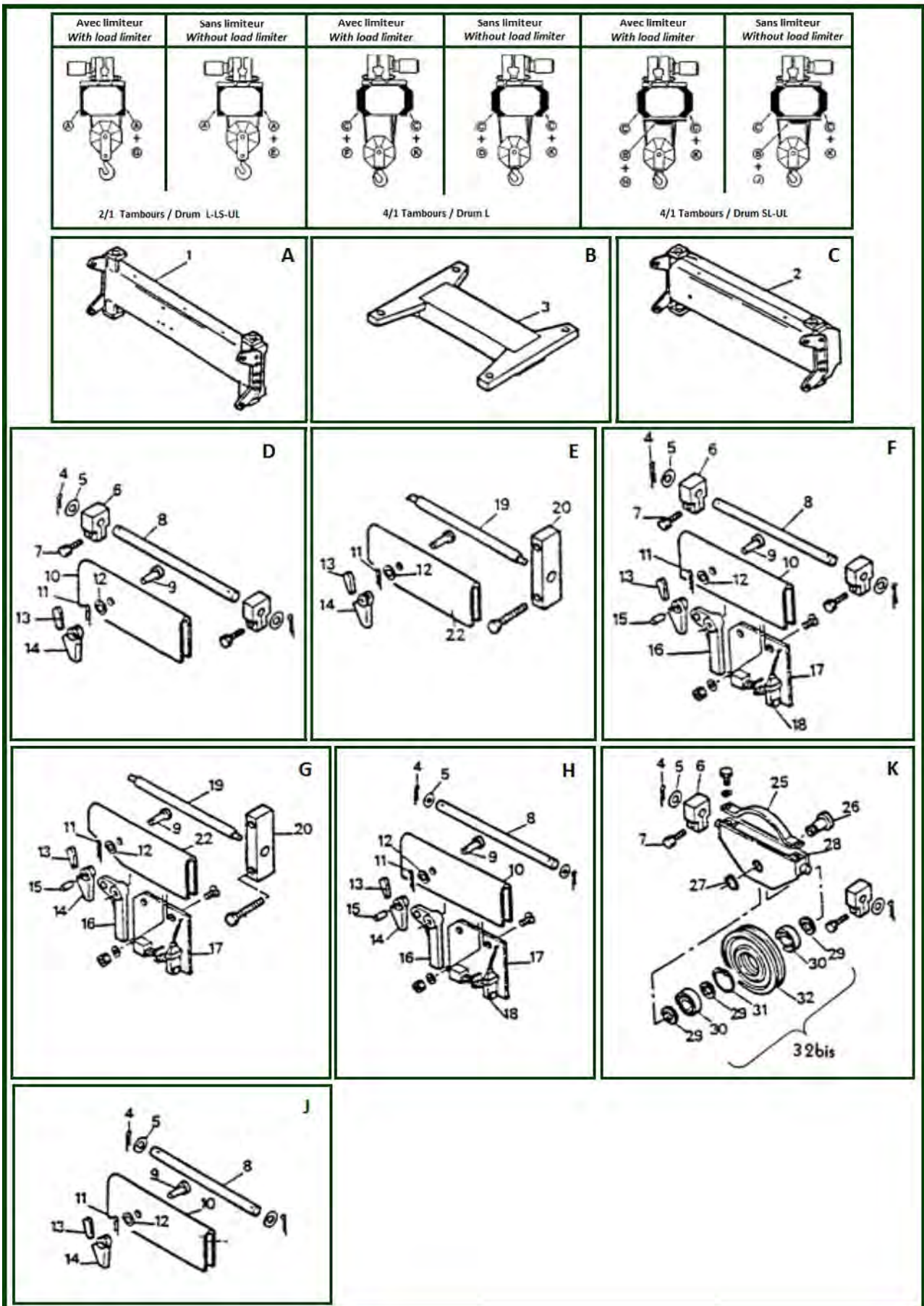
| item | reference | description | observation | Quantity |
|-------------|------------------|---------------------------------|-----------------------|-----------------|
| - | <u>32201001</u> | Non rotating wire rope - Ø14 | Lg 37,5m - 1/1 | 1 |
| - | <u>32201004</u> | Non rotating wire rope - Ø14 | Lg 38,5m - 2/1 - L | 1 |
| - | <u>32201002</u> | Non rotating wire rope - Ø14 | Lg 65,5m - 1/1 - SL | 1 |
| - | <u>32201005</u> | Non rotating wire rope - Ø14 | Lg 66m - 2/1 - SL | 1 |
| - | <u>32201003</u> | Non rotating wire rope - Ø14 | Lg 95,5m - 1/1 - UL | 1 |
| - | <u>32201006</u> | Non rotating wire rope - Ø14 | Lg 96m - 2/1 - UL | 1 |
| - | <u>32201007</u> | Preformed steel wire rope - Ø14 | Lg 40,5m - 4/1 - L | 1 |
| - | <u>32201010</u> | Preformed steel wire rope - Ø14 | Lg 42,5m - 6/1 - L | 1 |
| - | <u>32201008</u> | Preformed steel wire rope - Ø14 | Lg 68m - 4/1 - SL | 1 |
| - | <u>32201011</u> | Preformed steel wire rope - Ø14 | Lg 70m - 6/1 - SL | 1 |
| - | <u>32201013</u> | Preformed steel wire rope - Ø14 | Lg 75,5m - 8/1 - SL | 1 |
| - | <u>32201009</u> | Preformed steel wire rope - Ø14 | Lg 98m - 4/1 - UL | 1 |
| - | <u>32201012</u> | Preformed steel wire rope - Ø14 | Lg 100m - 6/1 - UL | 1 |
| - | <u>32201014</u> | Preformed steel wire rope - Ø14 | Lg 105 ,5m - 8/1 - UL | 1 |

5) Rope guide / Limit switch



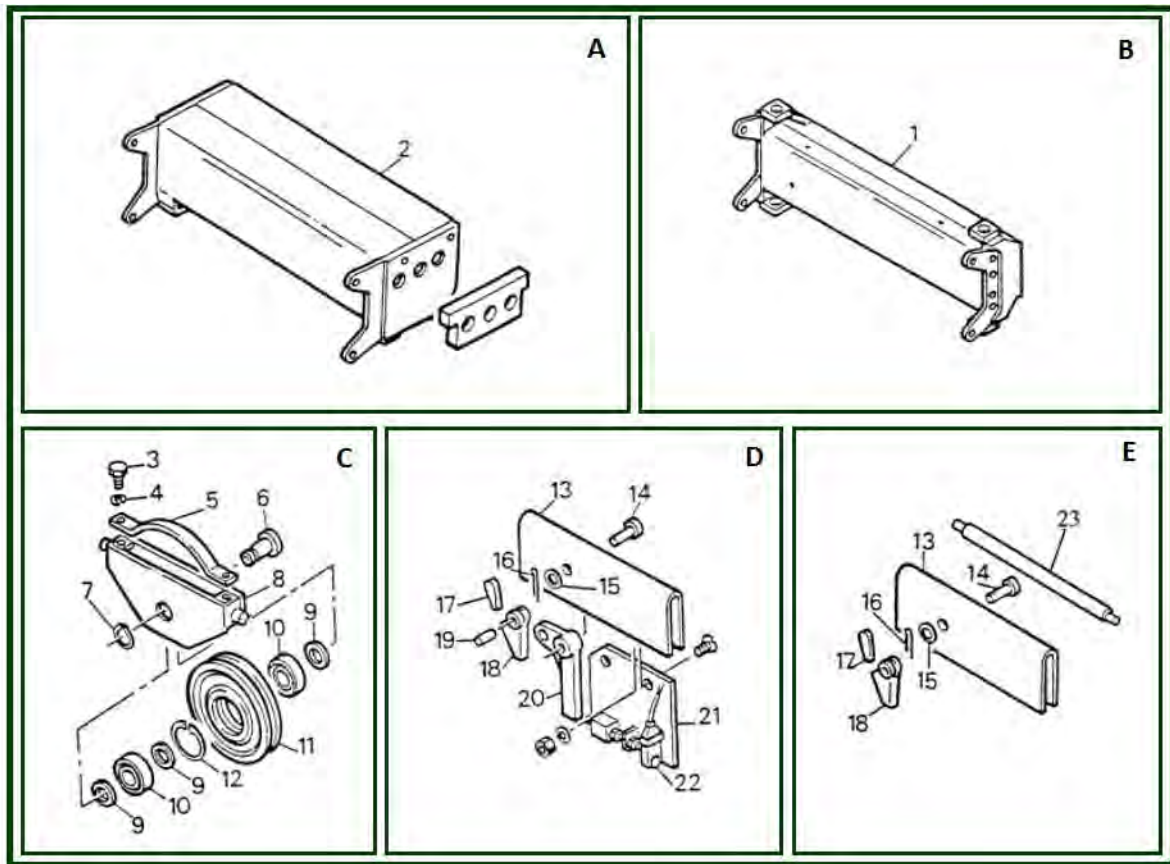
| item | reference | description | observation | Quantity |
|------|--------------------------|---|---|----------|
| 6 | 32301004 | Rope guide left hand | Pour câble 10mm / For rope 10mm | 1 |
| 6 | 32301002 | Rope guide left hand | Pour câble 14mm / For rope 14mm std pour/for Levage centré/True vertical lift | 1 |
| 6 | 32301003 | Rope guide right hand | Pour câble 10mm / For rope 10mm | 1 |
| 6 | 32301005 | Rope guide right hand | Pour câble 12mm / For rope 12mm special | 1 |
| 6 | 32301001 | Rope guide right hand | Pour câble 14mm / For rope 14mm STD | 1 |
| 7 | 32332001 | Spring | | 2 |
| 8 | 7215564E | Screw CHCM 10x70 | | 2 |
| 9 | 32332002 | Spring | | 1 |
| 10 | 7232100D | Narrow Grover washer -10mm | DIN12 | 2 |
| 11 | 32301010 | Rope guide roller complete | 41609 | 1 |
| 26 | 32503001 | Limit switch operating rod assembly type L | 14-15-16-17-18-19 | 1 |
| 26 | 32503002 | Limit switch operating rod assembly type SL | 14-15-16-17-18-19 | 1 |
| 26 | 32503003 | Limit switch operating rod assembly type UL | 14-15-16-17-18-19 | 1 |
| 27 | 12503001 | Limit switch without support | | 1 |
| 28 | 31133001 | Rope guide rail drum L | | 1 |
| 28 | 31133002 | Rope guide rail drum SL | | 1 |
| 28 | 31133003 | Rope guide rail drum VL | | 1 |
| - | 7541412N | Limit switch contact - Top | | 1 |

6) HPN 2/1 4/1



| item | reference | description | observation | Quantity |
|-------|--------------------------|--------------------------------------|---------------------------|----------|
| 1 | 31124001 | Frame side piece type L 2/1 | | 2 |
| 1 | 31124002 | Frame side piece type SL 2/1 | | 2 |
| 1 | 31124003 | Frame side piece type UL 2/1 | | 2 |
| 2 | 31124004 | Frame side piece type L 4/1 | | 2 |
| 2 | 31124005 | Frame side piece type SL 4/1 | | 2 |
| 2 | 31124006 | Frame side piece type UL /14 | | 2 |
| 3 | 31231001 | Bottom frame piece type SL 4/1 | | 1 |
| 3 | 31231002 | Bottom frame piece type UL 4/1 | | 1 |
| 4 | 7271634A | Split pin | | 2 |
| 5 | 31217001 | Washer | | 2 |
| 6 | 31333001 | Support type 4/1 | | 2 |
| 8 | 31215002 | Fixed point support axle L 4/1 | | 1 |
| 8 | 31215003 | Fixed point support axle SL 4/1 | | 1 |
| 8 | 31215004 | Fixed point support axle UL 4/1 | | 1 |
| 9 | 5261411A | Shaft | DA - Ø 12 mm | 1 |
| 10 | 31224002 | Fixed point yoke type L 4/1 | | 1 |
| 10 | 31224003 | Fixed point yoke type UL 4/1 | | 1 |
| 11 | 7271405B | Split pins | Câble / Rope Ø 11 mm | 1 |
| 12 | 7231201B | Flat washer | | 1 |
| 13 | 8536226G | Wedge for cable (Æ 14) | | 1 |
| 14 | 8536126Y | Rope attachment | Câble / Rope Ø 12 mm | 1 |
| 15 | 5261451U | Rope attachment axis type N-L-SL-SSL | DA - Ø 12 mm | 1 |
| 16 | 5261452V | Right-angled lever type N-L-SL-SSL | DA - Ø 12 mm | 1 |
| 17 | 31901006 | Load limiter complete | HPN 2/1 | 1 |
| 17 | 31901001 | Load limiter complete | HPN 4/1-HPR- | 1 |
| 17 | 31901007 | Load limiter mechanism plate | HPN 2/1 | 1 |
| 17 | 31901004 | Load limiter mechanism plate | HPN 4/1-HPR- | 1 |
| 18 | 7545111H | Load limiter electrical contact | Avant fin/Before end 1991 | 1 |
| 19 | 31216001 | Fixed point support axle type 2/1 | | 1 |
| 20 | 31233001 | Supporting plate type 2/1 | | 1 |
| 22 | 31224001 | Fixed point yoke type 2/1 | | 1 |
| 25 | 31333003 | Hoop piece | | 1 |
| 26 | 31316001 | Pulley spindle | | 1 |
| 27 | 7262050H | Exterior circlip | | 1 |
| 28 | 31324001 | Return yoke | | 1 |
| 29 | 33417002 | Spacer collar | | 3 |
| 30 | 7412101G | Bearing | Après / After 06 / 83 | 2 |
| 31 | 7261090Q | Interior circlip | | 1 |
| 32 | 33412001 | Pulley | | 1 |
| 32bis | 31303002 | Return pulley complete | 29+30+31 | 1 |
| - | 7545112J | Switch | Avant fin/Before end 1991 | 1 |

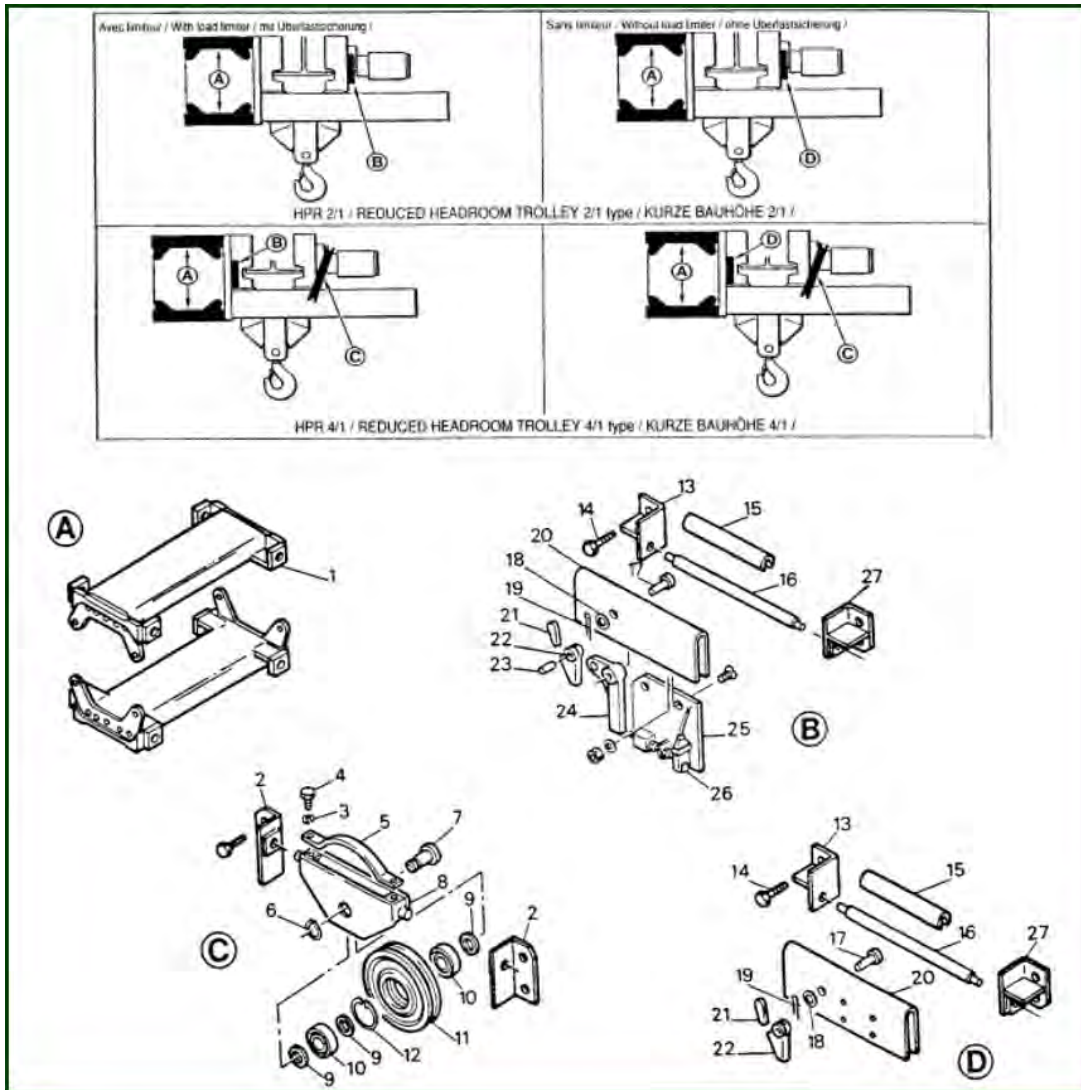
7) HPN 6/1



| item | reference | description | observation | Quantity |
|------|--------------------------|---------------------------------|-----------------------|----------|
| 1 | 31124007 | Frame side piece type UL 6/1 | | 1 |
| 2 | 31124004 | Frame side piece type L 4/1 | | 2 |
| 2 | 31124005 | Frame side piece type SL 4/1 | | 2 |
| 2 | 31124003 | Frame side piece type UL 2/1 | | 1 |
| 3 | 7211554W | HM screw 10 x 20 | | 2 |
| 3 | 7211553W | L and SL type screw | | 2 |
| 4 | 7232100D | Narrow Grover washer -10mm | DIN12 | 2 |
| 5 | 31333003 | Hoop piece | | 1 |
| 5 | 31333004 | L and SL type hood piece | | 1 |
| 6 | 31316001 | Pulley spindle | | 1 |
| 7 | 7262050H | Exterior circlip | | 1 |
| 7 | 7262070E | L and SL type circlips exterior | | 1 |
| 8 | 31324002 | L and SL return yoke | | 1 |
| 8 | 31324001 | Return yoke | | 1 |
| 9 | 33617001 | L and SL spacer collar | | 3 |
| 9 | 33417002 | Spacer collar | | 3 |
| 10 | 7412101G | Bearing | Après / After 06 / 83 | 2 |
| 10 | 7412142B | L and SL bearing | | 2 |
| 11 | 33612001 | L and SL type pulley | | 1 |
| 11 | 33412001 | Pulley | | 1 |
| 12 | 7261125C | Circlips Ø 125 | | 1 |
| 12 | 7261090Q | Interior circlip | | 1 |
| 13 | 31224005 | L type fixed point yoke | | 1 |
| 13 | 31224006 | SL type fixed point yoke | | 1 |
| 13 | 31224007 | UL type fixed point yoke | | 1 |
| 14 | 5261411A | Shaft | DA - Ø 12 mm | 1 |
| 15 | 7231201B | Flat washer | | 1 |
| 16 | 7271405B | Split pins | Câble / Rope Ø 11 mm | 1 |

| | | | | |
|----------|-----------------|--------------------------------------|---------------------------|---|
| 17 | <u>8536226G</u> | Wedge for cable (Æ 14) | | 1 |
| 18 | <u>8536126Y</u> | Rope attachment | Câble / Rope Ø 12 mm | 1 |
| 19 | <u>5261451U</u> | Rope attachment axis type N-L-SL-SSL | DA - Ø 12 mm | 1 |
| 19+20+21 | <u>31901001</u> | Load limiter complete | HPN 4/1-HPR- | 1 |
| 20 | <u>5261452V</u> | Right-angled lever type N-L-SL-SSL | DA - Ø 12 mm | 1 |
| 21 | <u>31901004</u> | Load limiter mechanism plate | HPN 4/1-HPR- | 1 |
| 21 | <u>31901005</u> | Load limiter plate | L | 1 |
| 22 | <u>7545111H</u> | Load limiter electrical contact | Avant fin/Before end 1991 | 1 |
| 23 | <u>31216003</u> | Fixed point support axle L | | 1 |
| 23 | <u>31216004</u> | Fixed point support axle SL | | 1 |
| 23 | <u>31216005</u> | Fixed point support axle UL | | 1 |
| - | <u>31901002</u> | Load limiter complete | L | 1 |

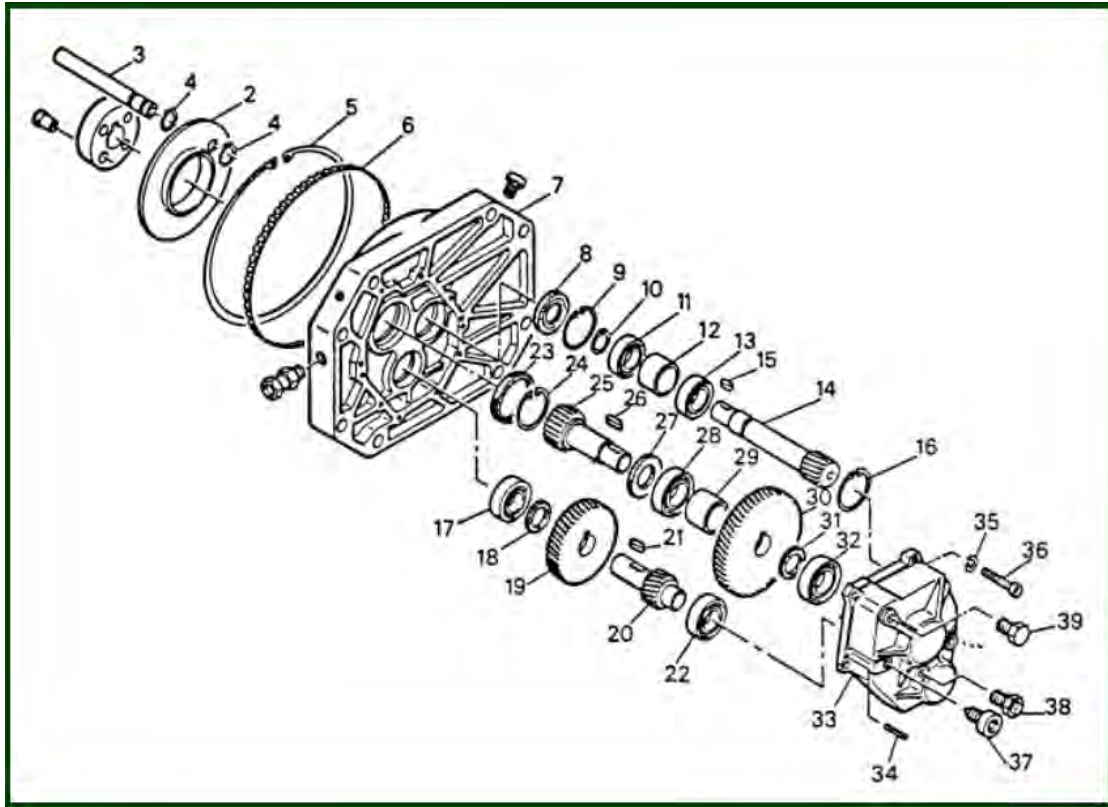
8) HPR 2/1 4/1



| item | reference | description | observation | Quantity |
|------|--------------------------|------------------------------|-----------------------|----------|
| 1 | 31124001 | Frame side piece type L 2/1 | | 2 |
| 1 | 31124002 | Frame side piece type SL 2/1 | | 2 |
| 1 | 31124003 | Frame side piece type UL 2/1 | | 2 |
| 2 | 31333002 | Return support | | 2 |
| 3 | 7232100D | Narrow Grover washer -10mm | DIN12 | 2 |
| 4 | 7211554W | HM screw 10 x 20 | | 2 |
| 5 | 31333003 | Hoop piece | | 1 |
| 6 | 7262050H | Exterior circlip | | 1 |
| 7 | 31316001 | Pulley spindle | | 1 |
| 8 | 31324001 | Return yoke | | 1 |
| 9 | 33417002 | Spacer collar | | 3 |
| 10 | 7412101G | Bearing | Après / After 06 / 83 | 2 |
| 11 | 33412001 | Pulley | | 1 |
| 12 | 7261090Q | Interior circlip | | 1 |
| 13 | 31233003 | Left hand support | | 1 |
| 15 | 31215001 | Supporting sleeve for 4/1 | | 1 |
| 16 | 31216002 | Fixed point spacer | | 1 |
| 17 | 5261411A | Shaft | DA - Ø 12 mm | 1 |
| 18 | 7231201B | Flat washer | | 1 |
| 19 | 7271405B | Split pins | Câble / Rope Ø 11 mm | 1 |
| 20 | 31224003 | Fixed point yoke type UL 4/1 | | 1 |

| | | | | |
|----|-----------------|--------------------------------------|---------------------------|---|
| 21 | <u>8536226G</u> | Wedge for cable (Æ 14) | | 1 |
| 22 | <u>8536126Y</u> | Rope attachment | Câble / Rope Ø 12 mm | 1 |
| 23 | <u>5261451U</u> | Rope attachment axis type N-L-SL-SSL | DA - Ø 12 mm | 1 |
| 24 | <u>5261452V</u> | Right-angled lever type N-L-SL-SSL | DA - Ø 12 mm | 1 |
| 25 | <u>31926007</u> | Load limiter mechanism plate | 40545 | 1 |
| 25 | <u>31926004</u> | Load limiter mechanism plate | 40547 | 1 |
| 26 | <u>7545111H</u> | Load limiter electrical contact | Avant fin/Before end 1991 | 1 |
| 27 | <u>31233002</u> | Right hand support | | 1 |

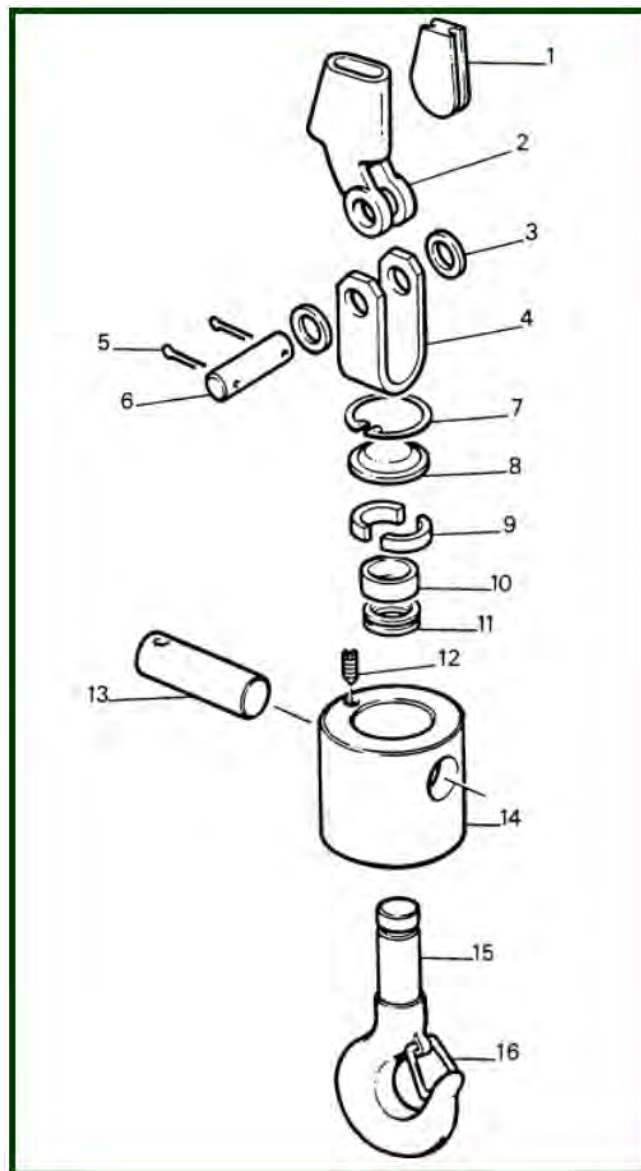
9) Hoisting gearbox



| item | reference | description | observation | Quantity |
|------|--------------------------|-----------------------------------|------------------|----------|
| 2 | 34014002 | Deflector | | 1 |
| 3 | 34035001 | Protective tube | | 1 |
| 4 | 7263028W | Exterior circlip | | 2 |
| 5 | 31117001 | Circlip | | 1 |
| 6 | 31111001 | Bearing | | 1 |
| 7 | 31125001 | Gearbox end-plate | | 1 |
| 8 | 1432 | Seal | DIN 3760 25X52X7 | 1 |
| 9 | 7261052Y | Internal circlip | Ø 52 | 1 |
| 10 | 7262025F | Exterior circlip | Ø 25 | 1 |
| 11 | 7425050G | Bearing | | 1 |
| 12 | 34017005 | Ring for gearbox 16m/mn | | 1 |
| 12 | 34017004 | Ring for gearbox 20m/mn | | 1 |
| 12 | 34017006 | Ring for gearbox 25 and 32m/mn | | 1 |
| 13 | 7425050G | Bearing | | 1 |
| 14 | 34020003 | Primary gearbox shaft 11 teeth | 16m/mn | 1 |
| 14 | 34020002 | Primary gearbox shaft 12 teeth | 20m/mn | 1 |
| 14 | 34020004 | Primary gearbox shaft 14 teeth | 25m/mn | 1 |
| 14 | 34020005 | Primary gearbox shaft 16 teeth | 32m/mn | 1 |
| 15 | 7282464N | Key | | 1 |
| 16 | 7261052Y | Internal circlip | Ø 52 | 1 |
| 17 | 7412070Y | Bearing | | 1 |
| 18 | 34017007 | Ring for gearbox 16 & 25m/mn | | 1 |
| 19 | 34019006 | Geared wheel for gearbox 55 teeth | 32m/mn | 1 |
| 19 | 34019003 | Geared wheel for gearbox 57 teeth | 25m/mn | 1 |
| 19 | 34019004 | Geared wheel for gearbox 59 teeth | 20m/mn | 1 |
| 19 | 34019005 | Geared wheel for gearbox 60 teeth | 16m/mn | 1 |
| 20 | 34020007 | Axle for gearbox pinion 13 teeth | 25/16m/mn | 1 |
| 20 | 34020006 | Axle for gearbox pinion 14 teeth | 32/20m/mn | 1 |
| 21 | 7282120Y | Key | 20-25 & 32m/mn | 1 |
| 21 | 7282102D | Key | | 1 |
| 22 | 7412070Y | Bearing | | 1 |

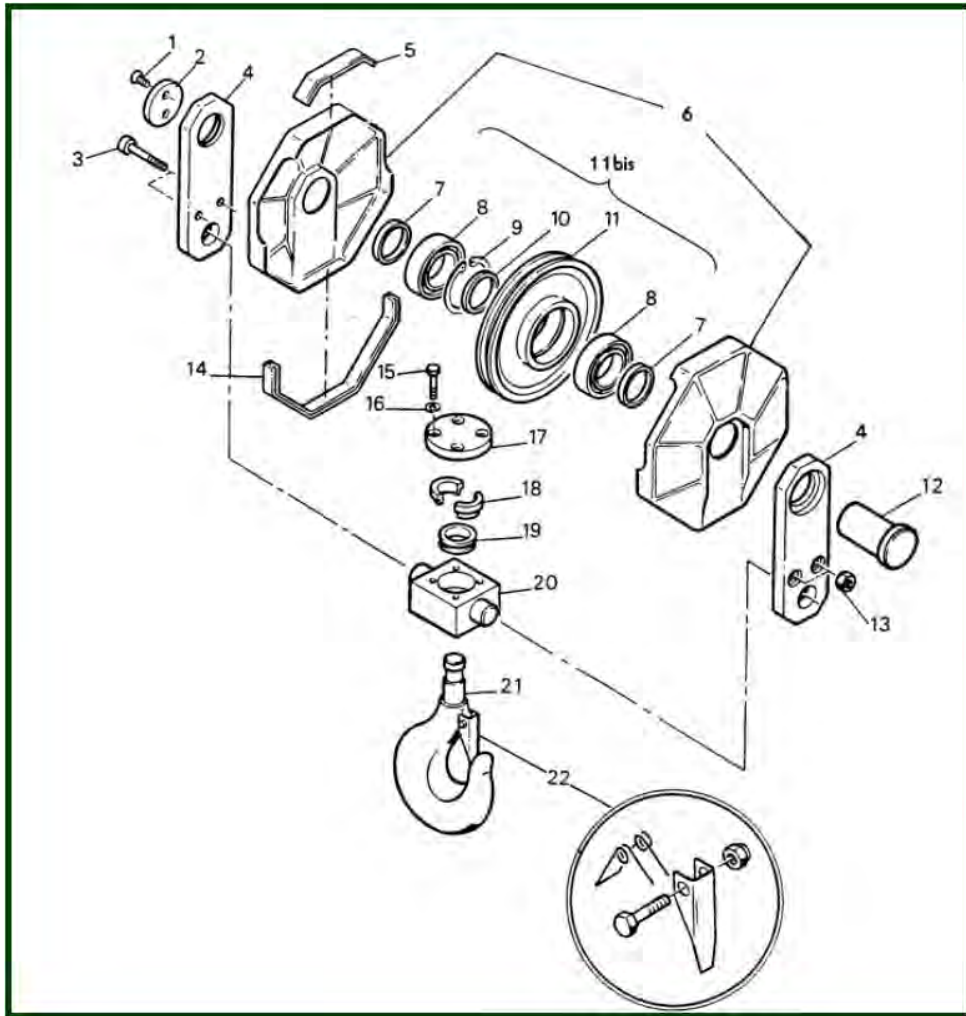
| | | | | |
|-----|-----------------|-----------------------------------|---------------------|---|
| 23 | <u>2422</u> | Seal | | 1 |
| 24 | <u>7261110L</u> | Interior circlip 110 | DA-RD | 1 |
| 25 | <u>34020001</u> | Axle for pinion 15 teeth | | 1 |
| 26 | <u>7282140Y</u> | Key | | 1 |
| 27 | <u>34017003</u> | Spacer | | 1 |
| 28 | <u>7425120H</u> | Ball bearing - Bore 60 | Avant / Before 1980 | 1 |
| 29 | <u>34017002</u> | Spacer | | 1 |
| 30 | <u>34019001</u> | Geared wheel for gearbox 51teeth | 20 & 32m/mn | 1 |
| 30 | <u>34019002</u> | Geared wheel for gearbox 52 teeth | 16 & 25m/mn | 1 |
| 31 | <u>34017001</u> | Spacer collar | | 1 |
| 32 | <u>7413100T</u> | Ball bearing - Bore 50 for 5000Kg | | 1 |
| 33 | <u>34014001</u> | Gearbox cover | | 1 |
| 33a | <u>2984</u> | Paper gasket | | 1 |
| 34 | <u>7273356Y</u> | Split pin | | 2 |
| 35 | <u>7232080G</u> | GROWER washer - Ø 8 | | 8 |
| 36 | <u>7215455L</u> | CHC screw 8 x 25 | 25 x 25 | 8 |
| 37 | <u>5218</u> | Breather screw plug | | 1 |
| 38 | <u>1448</u> | Oil-level plug 1/8" | | 1 |
| 38 | <u>1449</u> | Oil-level plug 3/8" | | 2 |
| 39 | <u>5220</u> | Magnetized plug | | 1 |

10) Hook block - 1 fall



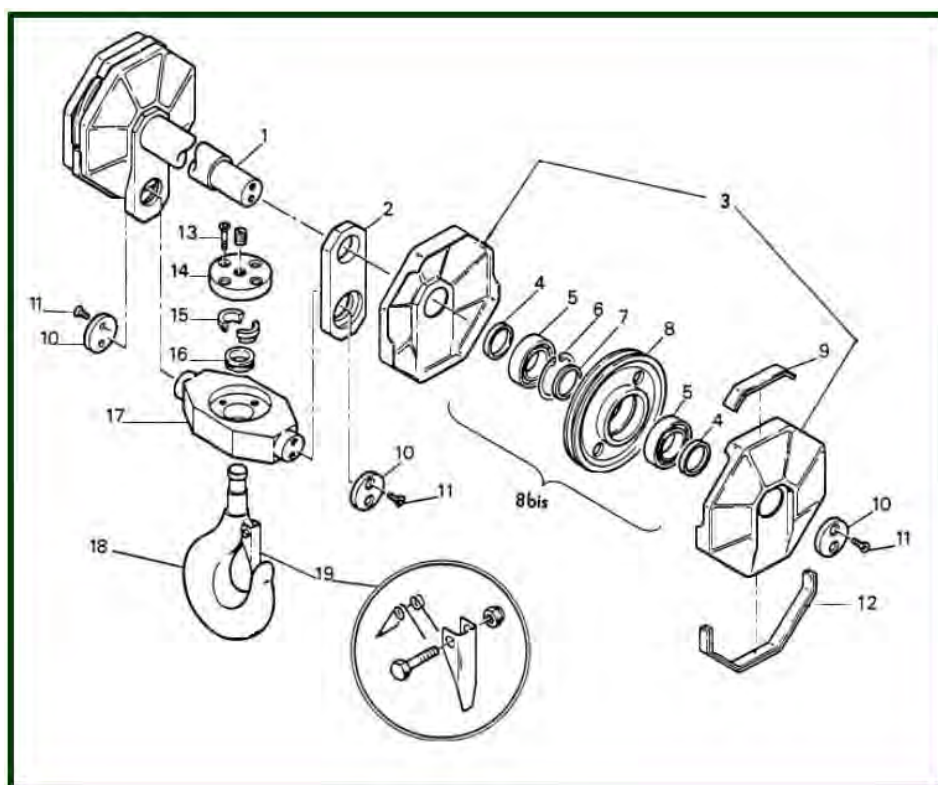
| item | reference | description | observation | Quantity |
|------|--------------------------|-------------------------|---------------------------|----------|
| 1 | 8536226G | Wedge for cable (Æ 14) | | 1 |
| 2 | 8536126Y | Rope attachment | Câble / Rope Ø 12 mm | 1 |
| 3 | 7231162J | Plate washer | Câble / Rope Ø 11 mm | 2 |
| 4 | 5263311R | Stirrup | Câble / Rope Ø 12 mm | 1 |
| 5 | 7271405B | Split pins | Câble / Rope Ø 11 mm | 2 |
| 6 | 5263312S | Rope attachment axle | Câble / Rope Ø 12 mm | 1 |
| 7 | 7261080D | Internal circlip - Ø 80 | | 1 |
| 8 | 5233615N | Cap | Câble / Rope Ø 11 & 12 mm | 1 |
| 9 | 5233613K | Half segment ring | Câble / Rope Ø 11 & 12 mm | 1 |
| 10 | 5233612J | Cylindrical dish | Câble / Rope Ø 11 & 12 mm | 1 |
| 11 | 7431062S | Thrust bearing | | 1 |
| 12 | 7217434N | Pointed screw | Câble / Rope Ø 11 & 12 mm | 1 |
| 13 | 5233302X | Axle | Câble / Rope Ø 11 & 12 mm | 1 |
| 14 | 5233301W | Washer | Câble / Rope Ø 11 & 12 mm | 1 |
| 15 | 5233610G | Hook with safety catch | | 1 |
| 16 | SR32F | Safety catch (wire) | Câble / Rope Ø 11 & 12 mm | 1 |
| 16 | 13203003 | Safety-latch | Lot de /set of 5 pièces | 1 |
| - | 3263310J | 1 fall hook assembly | | 1 |
| - | 7333140E | Rope clamp - Ø 14 | | 1 |
| - | 8536228J | Rope wedge | Câble / Rope Ø 11 mm - DA | 1 |

11) Hook block - 2 falls



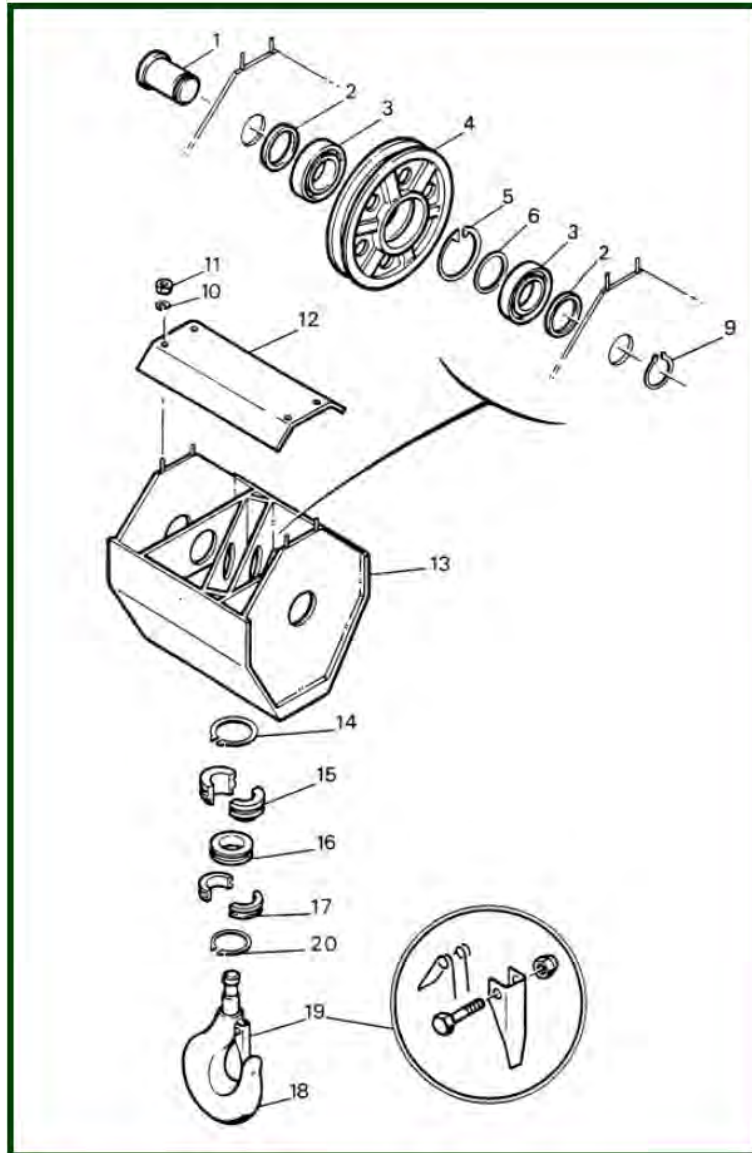
| item | reference | description | observation | Quantity |
|-------|--------------------------|----------------------------------|-----------------------|----------|
| 1 | 7216466U | Screw | | 2 |
| 2 | 33217001 | Retaining washer | | 1 |
| 3 | 7215470C | Screw | | 2 |
| 4 | 33225001 | Bottom block support piece | | 2 |
| 6 | 33203001 | | | 1 |
| 7 | 33417001 | Spacer | | 1 |
| 8 | 7412101G | Bearing | Après / After 06 / 83 | 1 |
| 9 | 400080 | Retaining ring for bore - Ø 90x3 | | 1 |
| 10 | 33417002 | Spacer collar | | 0 |
| 11 | 33412001 | Pulley | | 1 |
| 11bis | 33203002 | Complete pulley | | 1 |
| 12 | 33216001 | Pulley axle | | 1 |
| 13 | 7221080A | HM nut (8) | | 2 |
| 15 | 7211352B | Screw | | 4 |
| 16 | 7232060K | Washer M6 | Standard | 4 |
| 17 | 33234001 | Bearing cover | | 1 |
| 18 | 23417003 | Two part collar | | 1 |
| 19 | 7431072C | Thrust bearing | | 1 |
| 20 | 33231001 | Bottom block cross-piece | | 1 |
| 21 | 23413001 | Hook with safety latch | | 1 |
| 22 | 23233001 | Safety catch | | 1 |
| 22 | 33233003 | Safety catch N°2.5 | | 1 |
| - | 33201001 | Complete hook block - 2 falls | | 1 |

12) Hook block - 4 falls



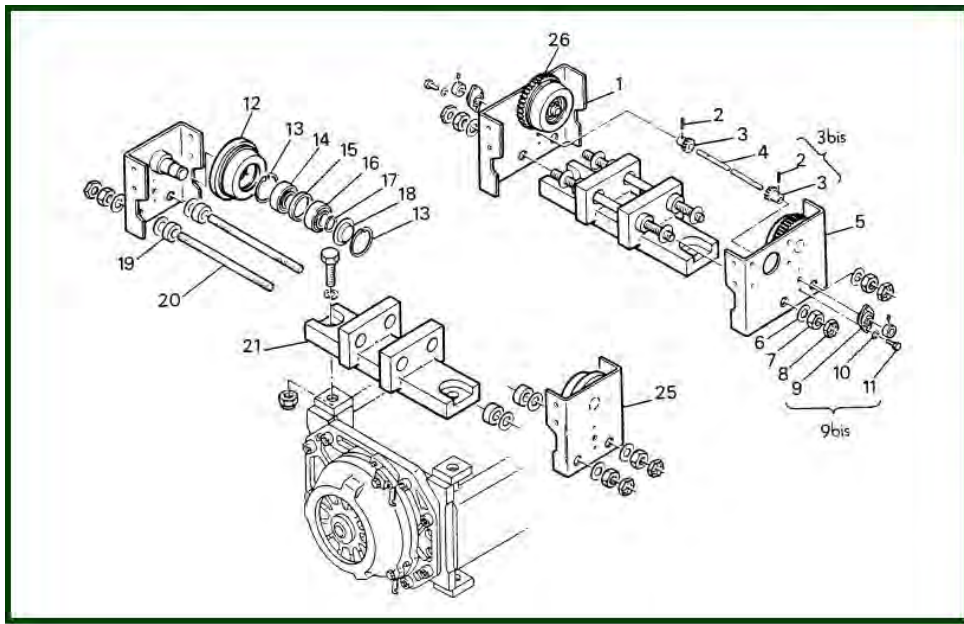
| item | reference | description | observation | Quantity |
|---------|--------------------------|----------------------------------|-----------------------|----------|
| 1 | 33416001 | Pulley axle | | 1 |
| 2 | 33425001 | Bottom block support piece | | 2 |
| 3 | 33203001 | | | 2 |
| 4 | 33417001 | Spacer | | 2 |
| 5 | 7412101G | Bearing | Après / After 06 / 83 | 2 |
| 6 | 400080 | Retaining ring for bore - Ø 90x3 | | 1 |
| 7 | 33417002 | Spacer collar | | 1 |
| 8 | 33412001 | Pulley | | 2 |
| 8bis | 33203002 | Complete pulley | | 1 |
| 10 | 33217001 | Retaining washer | | 4 |
| 11 & 13 | 7216466U | Screw | | 8 |
| 14 | 33434001 | Bearing cover | | 1 |
| 15 | 33417003 | Two-part collar | | 1 |
| 16 | 7431093A | Thrust bearing | | 1 |
| 17 | 33431001 | Bottom block cross | | 1 |
| 18 | 33413001 | Hook with safety catch | | 1 |
| 19 | 23233001 | Safety catch | | 1 |
| 19 | 33433003 | Safety latch n°4 | | 1 |
| | 33401001 | Complete hook block - 4 falls | | 1 |

13) Hook block - 6 falls



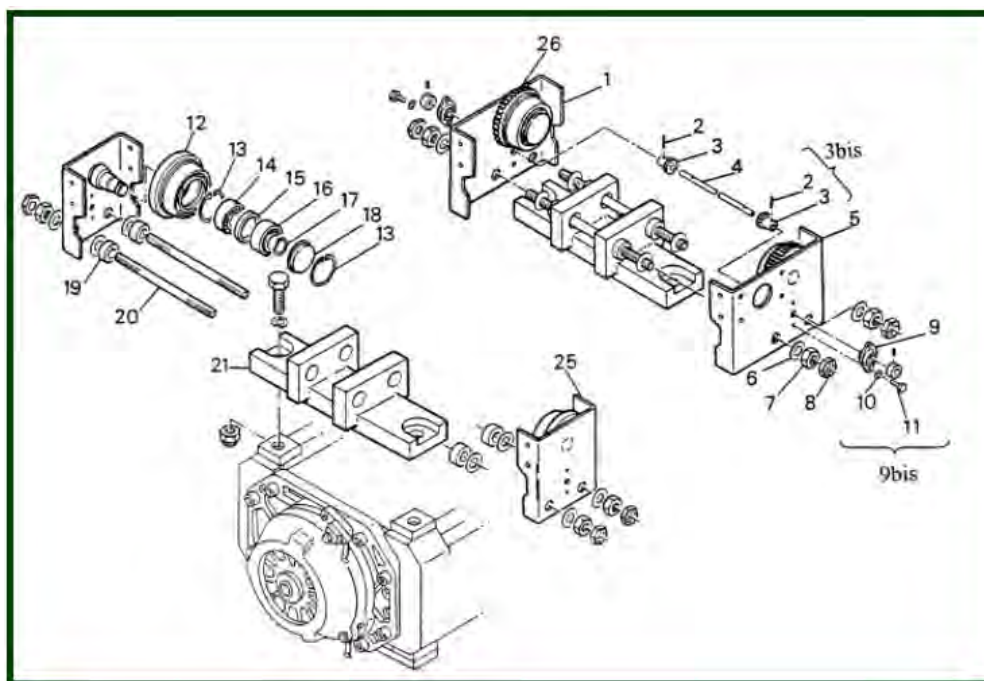
| item | reference | description | observation | Quantity |
|------|--------------------------|---------------------------------|-------------|----------|
| 1 | 33616001 | Pulley axle | | 1 |
| 2 | 33617002 | Spacer | | 6 |
| 3 | 7412142B | L and SL bearing | | 6 |
| 4 | 33612001 | L and SL type pulley | | 3 |
| 5 | 7261125C | Circlips Ø 125 | | 3 |
| 6 | 33617001 | L and SL spacer collar | | 3 |
| 9 | 7262070E | L and SL type circlips exterior | | 3 |
| 10 | 7232080G | GROWER washer - Ø 8 | | 4 |
| 11 | 7221080A | HM nut (8) | | 4 |
| 12 | 33614001 | Bottom block body cover | | 1 |
| 13 | 33610001 | Bottom block cover | | 1 |
| 14 | 7262070E | L and SL type circlips exterior | | 1 |
| 15 | 33617003 | Set collar | | 1 |
| 16 | 7431103L | Thrust bearing | | 1 |
| 17 | 33617004 | Two part collar | | 1 |
| 18 | 33613001 | Hook with safety catch | | 1 |
| 19 | 33633001 | Safety catch | | 1 |
| 20 | 7262095G | Exterior circlip | | 1 |
| - | 33601001 | Complete hook block - 6 falls | | 1 |

14) Standard headroom monorail trolley 2/1



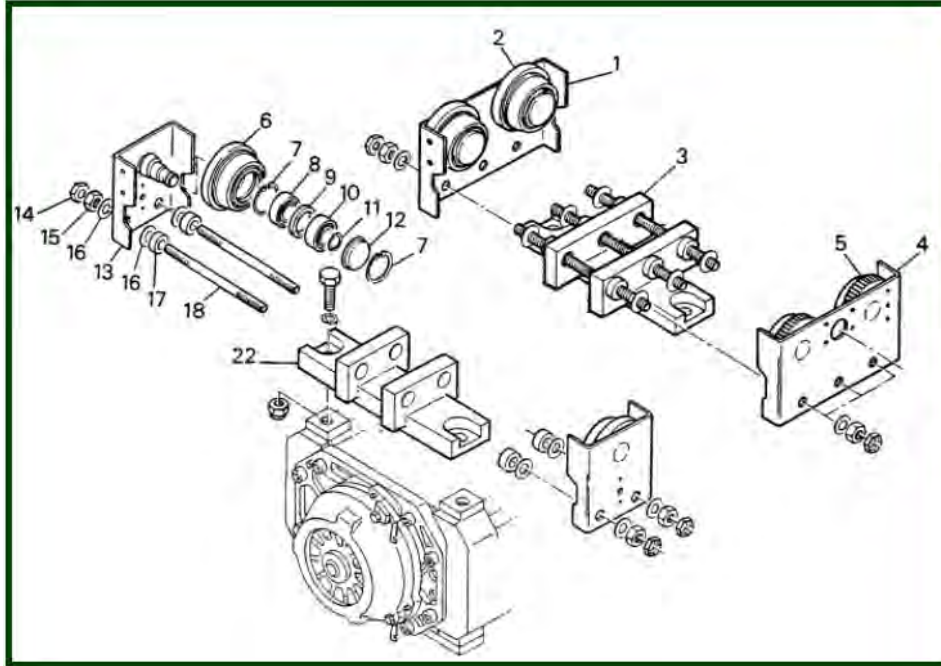
| item | reference | description | observation | Quantity |
|------|--------------------------|---|----------------------------|----------|
| 1 | 3541114N | Ungearred side plate with fittings - Driven runner | Depuis/Since 01/1986 | 1 |
| 2 | 7273356X | MECANINDUS 6 x 30 pin | | 2 |
| 3 | 5833520H | Intermediate pinion | 20 Dts / 20 th | 2 |
| 3bis | 25003001 | Set of 2 pinions and pins | 2+3 | 1 |
| 4 | 25015001 | Jackshaft | Fer 90 to 150 - Lg 340 mm | 1 |
| 4 | 25015002 | Jackshaft | Fer 151 to 200 - Lg 390 mm | 1 |
| 4 | 25015003 | Jackshaft | Fer 201 to 250 - Lg 440 mm | 1 |
| 4 | 25015004 | Jackshaft | Fer 252 to 300 - Lg 490 mm | 1 |
| 5 | 3541313D | Geared side plate with fittings - Left end carriage | Depuis/Since 01/1986 | 1 |
| 6 | 7153629J | Adjustment washer | Ep. / th 2mm | 24 |
| 6 | 7153639V | Adjustment washer | Ep. / th 3 mm | 80 |
| 7 | 7221360E | Nut | | 8 |
| 8 | 7223360D | PAL nut | | 8 |
| 9 | 7447100Z | Bearing PFT | | 2 |
| 9bis | 25003003 | Set of 1 shaft bearing with screw and washer | 2+3+4+5 | 2 |
| 12 | 4541111R | Idler runner with fittings without axle | | 2 |
| 13 | 7261080D | Internal circlip - Ø 80 | | 8 |
| 14 | 7412081K | Bearing | | 4 |
| 15 | 5441152W | Collar | | 4 |
| 16 | 7413070K | Bearing | | 4 |
| 17 | 7262035S | Circlip - Ø 35 | | 4 |
| 18 | 5233615N | Cap | Câble / Rope Ø 11 & 12 mm | 4 |
| 19 | 5442116U | Collar | ép. /th. 25mm | 8 |
| 19 | 5442117V | Collar | ép. /th. 50mm | 8 |
| 20 | 5442102D | Spacer | Lg 370mm | 4 |
| 20 | 5452102Y | Spacer | Lg 440mm | 4 |
| 20 | 5452106C | Spacer | Lg 540mm | 4 |
| 21 | 25031004 | Washer | 4/1 (5 et 6,3T) | 2 |
| 25 | 3541113L | Ungearred side plate with fittings | Depuis/Since 01/1986 | 2 |
| 26 | 4541311H | Geared wheel with fittings without axle | | 2 |
| - | 3553210K | Chain drive HPN | | 1 |
| - | 5441351V | Geared wheel only | | 1 |
| - | 5441151V | Idler runner without fittings with axle | Ø 150 x 186 | 1 |
| - | 25002070 | Shaft set | Lg 45 mm | 1 |

15) Standard headroom monorail trolley 4/1



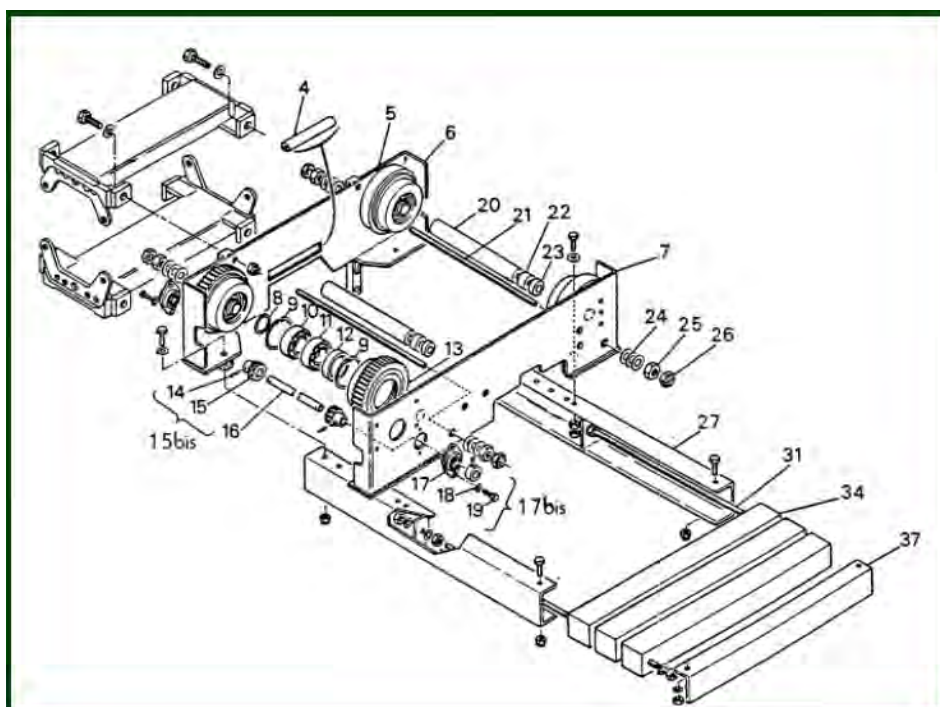
| item | reference | description | observation | Quantity |
|------|--------------------------|--|------------------------------------|----------|
| 1 | 3551313Y | Geared side plate with fitting | Sommier droit / Right end carriage | 1 |
| 2 | 7273356X | MECANINDUS 6 x 30 pin | | 2 |
| 3 | 5833520H | Intermediate pinion | 20 Dts / 20 th | 2 |
| 3bis | 25003001 | Set of 2 pinions and pins | 2+3 | 1 |
| 4 | 35015002 | Jackshaft länge=450mm | | 1 |
| 4 | 35015004 | Jackshaft länge=530mm | | 1 |
| 4 | 35015001 | Shaft | L 400 mm | 1 |
| 4 | 35015003 | Shaft | L 500 mm | 1 |
| 5 | 3551312X | Geared side plate complete | | 1 |
| 6 | 7153629J | Adjustment washer | Ep. / th 2mm | 24 |
| 6 | 7153639V | Adjustment washer | Ep. / th 3 mm | 80 |
| 7 | 7221360E | Nut | | 8 |
| 8 | 7223360D | PAL nut | | 8 |
| 9 | 7447100Z | Bearing PFT | | 2 |
| 9bis | 25003003 | Set of 1 shaft bearing with screw and washer | 2+3+4+5 | 2 |
| 12 | 5441151V | Idler runner without fittings with axle | Ø 150 x 186 | 1 |
| 12 | 4551111K | Travel wheel | | 2 |
| 13 | 7261090Q | Interior circlip | | 8 |
| 14 | 7412101G | Bearing | Après / After 06 / 83 | 4 |
| 15 | 5451155U | Collar 82 x 89 x 12 | | 4 |
| 16 | 7424080C | Bearing | | 4 |
| 17 | 7262040X | Exterior circlip | | 4 |
| 18 | 5243615G | Cap | | 4 |
| 19 | 5442116U | Collar | ép. /th. 25mm | 8 |
| 19 | 5442117V | Collar | ép. /th. 50mm | 8 |
| 20 | 5442102D | Spacer | Lg 370mm | 4 |
| 20 | 5452102Y | Spacer | Lg 440mm | 4 |
| 20 | 5452106C | Spacer | Lg 540mm | 4 |
| 21 | 35031002 | Type L crosshead | | 2 |
| 21 | 35031003 | Type SL and UL crosshead | | 2 |
| 25 | 3551113F | Ungeared side plate | | 2 |
| 26 | 4551311B | Wheel motor | | 2 |
| - | 3553210K | Chain drive HPN | | 1 |
| - | 5441351V | Geared wheel only | | 1 |
| - | 25002070 | Shaft set | Lg 45 mm | 1 |

16) Standard headroom monorail trolley 6/1



| item | reference | description | observation | Quantity |
|------|--------------------------|---|-----------------------|----------|
| 2 | 4551111K | Travel wheel | | 2 |
| 3 | 35031005 | Crosshead | | 3 |
| 5 | 5451351G | Geared wheel only | 180 x 216 | 5 |
| 5 | 4551311B | Wheel motor | | 5 |
| 6 | 5451151Q | Idler runner without fittings with axle | 180 x 216 | 6 |
| 7 | 7261090Q | Interior circlip | | 7 |
| 8 | 7424080C | Bearing | | 8 |
| 9 | 5451155U | Collar 82 x 89 x 12 | | 9 |
| 10 | 7412101G | Bearing | Après / After 06 / 83 | 10 |
| 11 | 7262040X | Exterior circlip | | 11 |
| 12 | 5243615G | Cap | | 12 |
| 13 | 3551113F | Ungeared side plate | | 13 |
| 13 | 5551113U | Ungeared side plate without fittings | | 2 |
| 14 | 7223360D | PAL nut | | 10 |
| 15 | 7221360E | Nut | | 10 |
| 16 | 7153629J | Adjustment washer | Ep. / th 2mm | 1 |
| 16 | 7153639V | Adjustment washer | Ep. / th 3 mm | 1 |
| 17 | 5442116U | Collar | ép. /th. 25mm | 1 |
| 17 | 5442117V | Collar | ép. /th. 50mm | 1 |
| 18 | 5442102D | Spacer | Lg 370mm | 5 |
| 18 | 5452102Y | Spacer | Lg 440mm | 5 |
| 18 | 5452106C | Spacer | Lg 540mm | 5 |
| 22 | 35031004 | Crosshead | | 1 |
| - | 25002071 | Shaft set | Lg 62 mm | 1 |

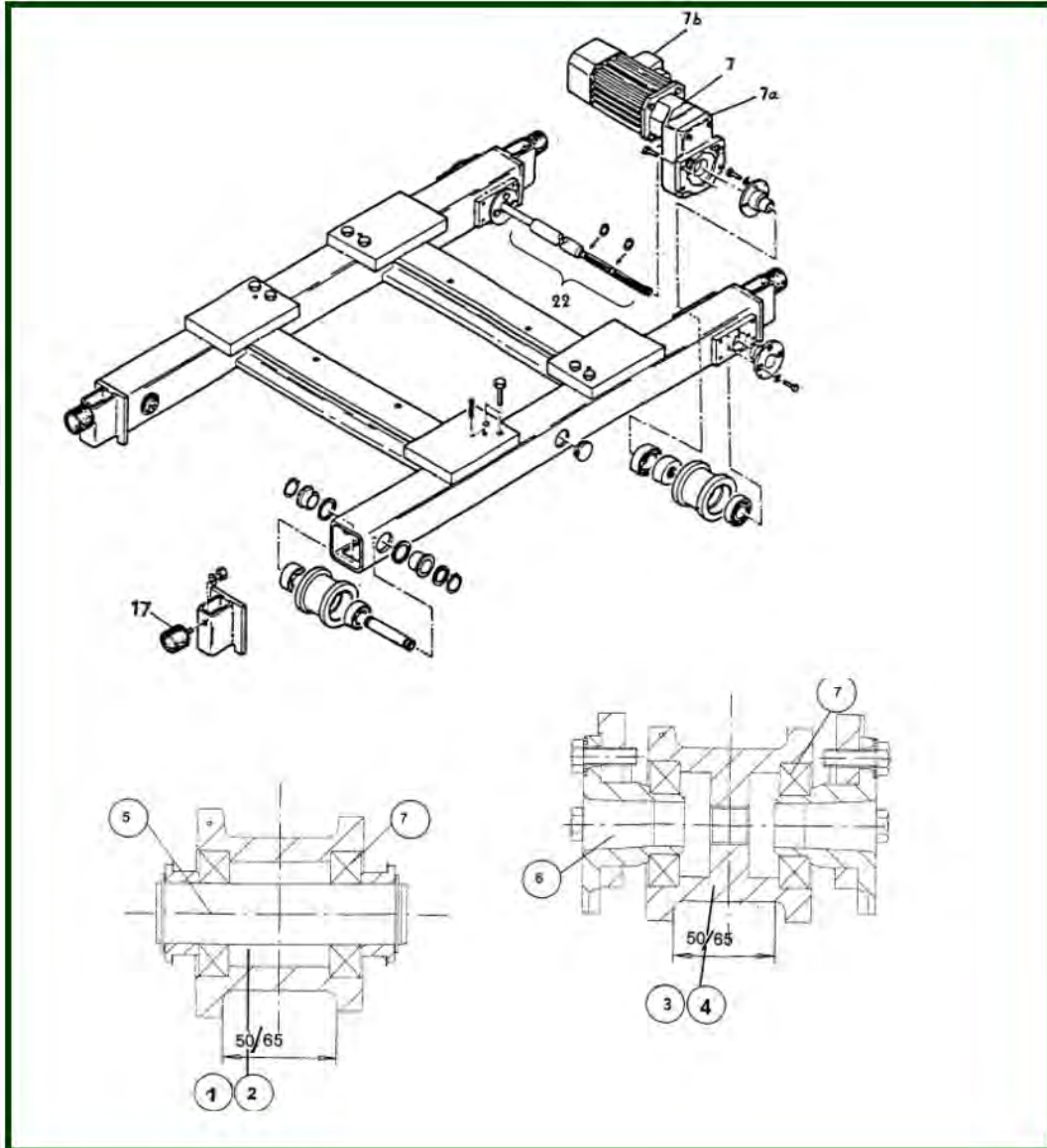
17) Reduced headroom monorail trolley 2/1-4/1



| item | reference | description | observation | Quantity |
|-------|--------------------------|--|-----------------------|----------|
| 4 | 31215001 | Supporting sleeve for 4/1 | | 1 |
| 5 | 5451151Q | Idler runner without fittings with axle | 180 x 216 | 2 |
| 5 | 4551111K | Travel wheel | | 2 |
| 6 | 35025001 | Idler frame plate L with axle | | 1 |
| 6 | 35001001 | Idler frame plate L with fittings | | 1 |
| 6 | 35025003 | Idler frame plate SL with axle | | 1 |
| 6 | 35001003 | Idler frame plate SL with fittings | | 1 |
| 6 | 35025005 | Idler frame plate UL with axle | | 1 |
| 6 | 35001005 | Idler frame plate UL with fittings | | 1 |
| 7 | 35025002 | Driven frame plate type L with axle | | 1 |
| 7 | 35001002 | Driven frame plate type L with fittings | | 1 |
| 7 | 35025004 | Driven frame plate type SL with axle | | 1 |
| 7 | 35001004 | Driven frame plate type SL with fittings | | 1 |
| 7 | 35025006 | Driven frame plate type UL with axle | | 1 |
| 7 | 35001006 | Driven frame plate type UL with fittings | | 1 |
| 8 | 7262040X | Exterior circlip | | 4 |
| 9 | 7261090Q | Interior circlip | | 8 |
| 10 | 7412101G | Bearing | Après / After 06 / 83 | 4 |
| 11 | 7424080G | Bearing | | 4 |
| 12 | 5451155U | Collar 82 x 89 x 12 | | 4 |
| 13 | 5451351G | Geared wheel only | 180 x 216 | 2 |
| 13 | 4551311B | Wheel motor | | 2 |
| 14 | 7273356X | MECANINDUS 6 x 30 pin | | 2 |
| 15 | 5833520H | Intermediate pinion | 20 Dts / 20 th | 2 |
| 15bis | 25003001 | Set of 2 pinions and pins | 2+3 | 1 |
| 16 | 35015002 | Jackshaft länge=450mm | | 1 |
| 16 | 35015004 | Jackshaft länge=530mm | | 1 |
| 16 | 35015001 | Shaft | L 400 mm | 1 |
| 16 | 35015003 | Shaft | L 500 mm | 1 |
| 17 | 7447100Z | Bearing PFT | | 2 |
| 17bis | 25003003 | Set of 1 shaft bearing with screw and washer | 2+3+4+5 | 1 |
| 20 | 35018003 | Sleeve | 225 mm | 2 |
| 20 | 35018004 | Sleeve | 320 mm | 2 |

| | | | | |
|----|-----------------|------------------------------|---------------|----|
| 21 | <u>5442102D</u> | Spacer | Lg 370mm | 2 |
| 21 | <u>5452102Y</u> | Spacer | Lg 440mm | 2 |
| 21 | <u>5452106C</u> | Spacer | Lg 540mm | 2 |
| 22 | <u>35018002</u> | Spacer collar thickness=50mm | | 2 |
| 23 | <u>35018001</u> | Spacer collar thickness=25mm | | 2 |
| 24 | <u>7153629J</u> | Adjustment washer | Ep. / th 2mm | 1 |
| 24 | <u>7153639V</u> | Adjustment washer | Ep. / th 3 mm | 1 |
| 25 | <u>7221360E</u> | Nut | | 4 |
| 26 | <u>7223360D</u> | PAL nut | | 4 |
| 27 | <u>35031010</u> | Set of girders | | 1 |
| 31 | <u>35018005</u> | Counterweight locking bar | | 1 |
| 34 | <u>31533001</u> | Counterweight type L | | 3 |
| 34 | <u>31533002</u> | Counterweight type SL | | 3 |
| 34 | <u>31533003</u> | Counterweight type UL | | 3 |
| 37 | <u>35031011</u> | Girder cross-piece type L | | 1 |
| 37 | <u>35031012</u> | Girder cross-piece type SL | | 1 |
| 37 | <u>35031013</u> | Girder cross-piece type UL | | 1 |
| 37 | <u>25002071</u> | Shaft set | Lg 62 mm | 14 |

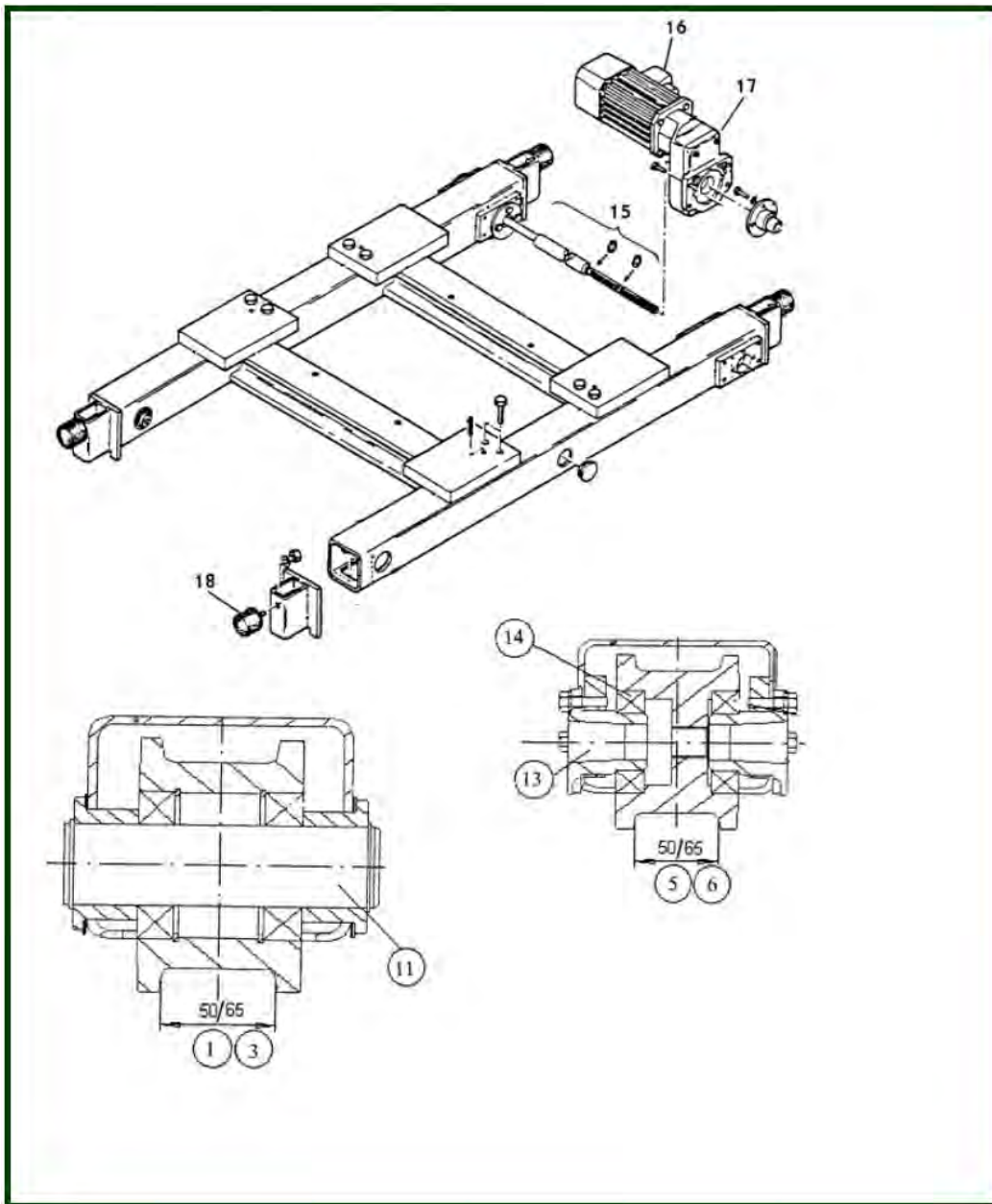
18) Crab frame SE3 1 and 2 falls



| item | reference | description | observation | Quantity |
|------|--------------------------|--------------------------------|--|----------|
| 1 | 15503003 | Travel wheel set - ø 90 - G50 | VS202/VP9 - VS302..F - VS402 A partir / Since 1999 | 1 |
| 2 | 15503006 | Travel wheel set ø 90 - G65 | VS202/VP9 - VS302..F - VS402 A partir / Since 1999 | 1 |
| 3 | 15503001 | Driving wheel set - ø 90 -G50 | VS302..F - VS402 A partir / Since 1999 | 1 |
| 4 | 15503005 | Driving wheel set - ø 90 - G65 | VS302..F - VS402 A partir / Since 1999 | 1 |
| 5 | 15503004 | Complete shaft travel wheel | VP9 | 1 |
| 6 | 15503002 | Bearling-flange set | VP9-VS302 | 1 |
| 7 | 7412072A | Complete bearing | VP9-VS302 | 2 |
| 7 | 25580003 | Motor drive | 380V - 16/4 m/mn | 1 |
| 7 | 25580001 | Motor drive | 380V - 20/5 m/mn | 1 |
| 7 | 25580002 | Motor drive | 380V - 25/6 m/mn | 1 |
| 7a | 25582010 | Gearbox 16/4 | | 1 |
| 7a | 25582020 | Gearbox 20/5 | | 1 |
| 7a | 25582030 | Gearbox 25/6 | | 1 |
| 7b | 25508102 | Motor 0,25-0,06Kw | 220V | 1 |
| 7b | 25508103 | Motor 0,25-0,06Kw | 380V | 1 |
| 7b | 25509103 | Motor 0,25-0,06Kw | 380V avec sondes | 1 |
| 7b | 25508104 | Motor 0,25-0,06Kw | 415V | 1 |
| 22 | 15520001 | Drive shaft | 0.9m | 1 |
| 22 | 15520002 | Drive shaft | 1.4m | 1 |

| | | | | |
|----|-----------------|--|----|---|
| 22 | <u>15520003</u> | Drive shaft | 2m | 1 |
| 22 | <u>15520006</u> | Drive shaft - Exterior motor | 2m | 1 |
| 22 | <u>15520004</u> | Set of drive shaft 900 exterior motor | | 1 |
| 22 | <u>15520005</u> | Set of drive shaft 1400 exterior motor | | 1 |

19) Crab frame SE3 4 falls



| item | reference | description | observation | Quantity |
|------|--------------------------|---|--|----------|
| 1 | 25803003 | Travel wheel set - ø 140 - G50 | VS404 / VP14 VS502 VS504 < 16T | 1 |
| 3 | 25803006 | Travel wheel set - ø 140 - G65 | VS404 / VP14 VS502 VS504 < 16T | 1 |
| 5 | 25803001 | Driving wheel set - ø 140 - G50 | VS404 / VP14 - VS502 VS504 < 16T | 1 |
| 6 | 25803005 | Driving wheel set - ø 140 - G65 | VS404 / VP14 - VS502 VS504 < 16T | 1 |
| 11 | 25803007 | Shaft travel wheel | VP14 - VS404 - VS502 - VS504 < 16T | 1 |
| 13 | 25803002 | Bearing flange set | VP14 - VS404 - VS502 - VS504 < 16T | 1 |
| 14 | 7412112U | Bearing compl. | VP14 - VS404 - VS502 - VS504 < 16T | 2 |
| 15 | 25501003 | Drive shaft | VP14 - 0,9 m | 1 |
| 15 | 25501005 | Drive shaft | VP14 - 1,4 m | 1 |
| 15 | 25501004 | Drive shaft | VP14 - 1 m | 1 |
| 15 | 25501007 | Drive shaft | VP14 - 2,4 m | 1 |
| 15 | 25501006 | Drive shaft | VP14 - 2 m | 1 |
| 16 | 25809303 | Travelling motor MF07LB104+PTC-3000-750t/mn-380V 50Hz - 0.45/0.11kw avec sondes | Prise Wieland avant avril 1999 Wieland plug before april 1999 | 1 |
| 16 | 25518202 | Travelling motor MF07ZB206-1500-500t/mn-220V 50Hz-0.37/0.10kw | Prise Wieland avant avril 1999 Wieland plug before april 1999 | 1 |

| | | | | |
|----|-----------------|---|--|---|
| 16 | <u>25518204</u> | Travelling motor MF07ZB206-1500-500t/mn-415V 50Hz-0.37/0.10kw | Prise Wieland avant avril 1999 Wieland plug before april 1999 | 1 |
| 16 | <u>25518203</u> | Travelling motor MF07ZB206-1500-500t/mn-380 400V 50Hz-0.37/0.10kw | Prise Wieland avant avril 1999 Wieland plug before april 1999 | 1 |
| 16 | <u>25808302</u> | Travelling motor MF07LB104 3000-750t/mn-220V/50Hz - 0.45/0.11Kw | Prise Wieland avant avril 1999 Wieland plug before april 1999 GS332RPC : VS306 - GS315RPC : VS306 6,3T | 1 |
| 16 | <u>25808303</u> | Travelling motor MF07LB104 3000-750t/mn-380-400V/50Hz - 0.45/0.11KW | Prise Wieland avant avril 1999 Wieland plug before april 1999 GS332RPC : VS306 - GS315RPC : VS306 6,3T | 1 |
| 16 | <u>25808304</u> | Travelling motor MF07LB104 3000-750t/mn-415V/50Hz - 0.45/0.11KW | Prise Wieland avant avril 1999 Wieland plug before april 1999 GS332RPC : VS306 - GS315RPC : VS306 6,3T | 1 |
| 17 | <u>25883030</u> | Gear GS 350 RFB | | 1 |
| 17 | <u>25883020</u> | Gear GS 363 RFB | | 1 |
| 18 | <u>15503007</u> | Buffer set | | 4 |
| - | <u>35520001</u> | Drive shaft 1,4m | VP25 POUR /FOR SE3 6 BRINS | 1 |
| - | <u>35520004</u> | Drive shaft 1m | VP25 POUR /FOR SE3 6 BRINS | 1 |
| - | <u>35520002</u> | Drive shaft 2m | VP25 POUR /FOR SE3 6 BRINS | 1 |
| - | <u>45803001</u> | Driving wheel set Groove 65 | VP25 POUR /FOR SE3 6 BRINS | 1 |
| - | <u>45803003</u> | Idle wheel set Groove 65 | VP25 POUR /FOR SE3 6 BRINS | 1 |
| - | <u>45803004</u> | Shaft travel wheel | VP25 POUR /FOR SE3 6 BRINS | 1 |

20) Electrical equipment

| item | reference | description | observation | Quantity |
|------|-----------------|---|---------------------------------------|----------|
| - | <u>7366403C</u> | 2 speeds contact element | XENG1191 | 1 |
| - | <u>7632422L</u> | Box casing with clamp 2 buttons | XAC A02 | 1 |
| - | <u>7661915U</u> | Bull dog grip SIMPLEX | | 1 |
| - | <u>7632412A</u> | Buttons with black gummi | XAC A9412 | 1 |
| - | <u>7632413B</u> | Buttons with red gummi | XAC A9414 | 1 |
| - | <u>7641109D</u> | Cable gland (9) | Câble rond | 1 |
| - | <u>7641111F</u> | Cable gland (11) | Câble rond | 1 |
| - | <u>7641113H</u> | Cable gland (13) | Câble rond | 1 |
| - | <u>7641116L</u> | Cable gland (16) | Câble rond | 1 |
| - | <u>7642029D</u> | Cable gland (21) | 1 câble plat4x2.5 ² | 1 |
| - | <u>7642129N</u> | Cable gland (29) | 1 câble plat 4x6 ² | 1 |
| - | <u>7642229W</u> | Cable gland (29) | 1 câble plat 8x1.5 ² | 1 |
| - | <u>7642329E</u> | Cable gland (29) | 2câbles plats 4x6 ² | 1 |
| - | <u>7642429P</u> | Cable gland (29) | 2 câbles plats 8x1.5 ² | 1 |
| - | <u>7641129A</u> | Cable gland (29) | Câble rond | 1 |
| - | <u>7642536E</u> | Cable gland (36) | 1 câble plat 4x16 ² | 1 |
| - | <u>7642236D</u> | Cable gland (36) | 1câbleplat 12x1,5 ² | 1 |
| - | <u>7641136H</u> | Cable gland (36) | Câble rond | 1 |
| - | <u>7642648B</u> | Cable gland (48) | 1 câble plat 4x25 ² | 1 |
| - | <u>7648109N</u> | Cap nut (9) | | 1 |
| - | <u>7648111Q</u> | Cap nut (11) | | 1 |
| - | <u>7648113S</u> | Cap nut (13) | | 1 |
| - | <u>7648116V</u> | Cap nut (16) | | 1 |
| - | <u>7648121A</u> | Cap nut (21) | | 1 |
| - | <u>7648129J</u> | Cap nut (29) | | 1 |
| - | <u>7648136S</u> | Cap nut (36) | | 1 |
| - | <u>7532526D</u> | Contacteur ON/OFF | LC1D65E7 | 1 |
| - | <u>8812052T</u> | Control cable | 5x1.5mm ² | 1 |
| - | <u>8812152B</u> | Control cable | 16x1,5 mm ² | 1 |
| - | <u>7581712S</u> | Earth M16/12 | | 1 |
| - | <u>7581720A</u> | Earth M35/16P | | 1 |
| - | <u>7581715V</u> | Earth MS4/6 | | 1 |
| - | <u>7581719Z</u> | Earth MS6/8P | | 1 |
| - | <u>7575300X</u> | Fuse 1A | | 1 |
| - | <u>7575306D</u> | Fuse 6AM | | 1 |
| - | <u>7575310H</u> | Fuse 10AM | | 1 |
| - | <u>7576420Q</u> | Fuse 20AM | | 1 |
| - | <u>7576425V</u> | Fuse 25AM | | 1 |
| - | <u>7576440L</u> | Fuse 40AM | | 1 |
| - | <u>7577263F</u> | Fuse 63AM | | 1 |
| - | <u>7573761Z</u> | Fuse carrier | DK1FB23 | 1 |
| - | <u>7573751P</u> | Fuse carrier GK1EV | | 1 |
| - | <u>7573242K</u> | Fuse support | BC31 | 1 |
| - | <u>7578021E</u> | Fuse support | GB2CD07 | 1 |
| - | <u>7641121S</u> | Gland 21 | Câble rond | 1 |
| - | <u>7581725F</u> | Gland diam :30 | | 1 |
| - | <u>7531623X</u> | Interlocked contactor | LC2D803E | 1 |
| - | <u>7531023V</u> | Interlocked contactor | LC2EC09E | 1 |
| - | <u>7531122C</u> | Interlocked contactors 400V/48V - LC2D129E | AK1-AK2 - Moteur/Motor P1-P2-P3-N1-N2 | 1 |
| - | <u>7531325Y</u> | Interlocked contactors 400V/48V - LC2D259E | AK1-AK2 Moteur/Motor P5 | 1 |
| - | <u>7634431V</u> | Label - Off | ZB2BY2931 | 1 |
| - | <u>7532331A</u> | Main contactor | LC1D32E7 | 1 |
| - | <u>7532426V</u> | Main contactor - 400V/ 48V - LC1D403E7 | Moteur / Motor P6 - O-K1 | 1 |

| | | | | |
|---|-----------------|--|-----------------------------|---|
| - | <u>36126001</u> | Mouting plate for electric équipement | | 1 |
| - | <u>7633401A</u> | One step control part low voltage control with 1 « F » contact | ZB2 BE101 | 1 |
| - | <u>7633402B</u> | One step control part low voltage control with 1 « O » contact | ZB2 BE102 | 1 |
| - | <u>8812202F</u> | Pendant cable without green / yellow | 20x1,5 mm ² | 1 |
| - | <u>7521111W</u> | Rectifier | Frein / Brake 24V | 1 |
| - | <u>7535214A</u> | Relay | LT25A30E | 1 |
| - | <u>7535414T</u> | Relay FINDER | 48V | 1 |
| - | <u>7632401P</u> | Rubber protection cover | XAC A960 | 1 |
| - | <u>7634416D</u> | Sticker backward | ZB2BY2916 | 1 |
| - | <u>7634417E</u> | Sticker backward high speed | ZB2BY2917 | 1 |
| - | <u>7634418F</u> | Sticker backward slow speed-high speed | ZB2BY2918 | 1 |
| - | <u>7634404R</u> | Sticker down | ZB2BY2904 | 1 |
| - | <u>7634405S</u> | Sticker down high speed | ZB2BY2905 | 1 |
| - | <u>7634406T</u> | Sticker down slow speed-high speed | ZB2BY2906 | 1 |
| - | <u>7634413A</u> | Sticker forward | ZB2BY4913 | 1 |
| - | <u>7634414B</u> | Sticker forward high speed | ZB2BY4914 | 1 |
| - | <u>7634415C</u> | Sticker forward slow speed-high speed | ZB2BY4915 | 1 |
| - | <u>7634410X</u> | Sticker left | ZB2BY2910 | 1 |
| - | <u>7634411Y</u> | Sticker left high speed | ZB2BY2911 | 1 |
| - | <u>7634412Z</u> | Sticker left slow and high speed | ZB2BY2912 | 1 |
| - | <u>7634430U</u> | Sticker ON | ZB2BY4930 | 1 |
| - | <u>7634435Z</u> | Sticker ON-ALARM | ZB2BY4935 | 1 |
| - | <u>7634407U</u> | Sticker right | ZB2BY4907 | 1 |
| - | <u>7634408V</u> | Sticker right high speed | ZB2BY4908 | 1 |
| - | <u>7634409W</u> | Sticker right slow speed-high speed | ZB2BY4909 | 1 |
| - | <u>7634401N</u> | Sticker UP | ZB2BY4901 | 1 |
| - | <u>7634402P</u> | Sticker UP high speed | ZB2BY4902 | 1 |
| - | <u>7634403Q</u> | Sticker UP slow speed-high speed | ZB2BY4903 | 1 |
| - | <u>16126002</u> | Support bracket FINDER | | 1 |
| - | <u>7513332R</u> | Transformer 63VA | 380-420-500/48V | 1 |
| - | <u>7513532H</u> | Transformer 63VA | 440-460-480/48V | 1 |
| - | <u>7514032B</u> | Transformer 100VA | 220/48V | 1 |
| - | <u>7514332C</u> | Transformer 100VA | 380-420-500/48V | 1 |
| - | <u>7514532V</u> | Transformer 100VA | 440-460-480/48V | 1 |
| - | <u>7532122Q</u> | Two speeds selection contactor | LC1D128E | 1 |
| - | <u>7532021E</u> | Two speeds selection contactor | LC1EC08E | 1 |
| - | <u>7531423E</u> | Up and down contactor 400V/48V - LC2D403E | Moteur / Motor P7 - AK1-AK2 | 1 |