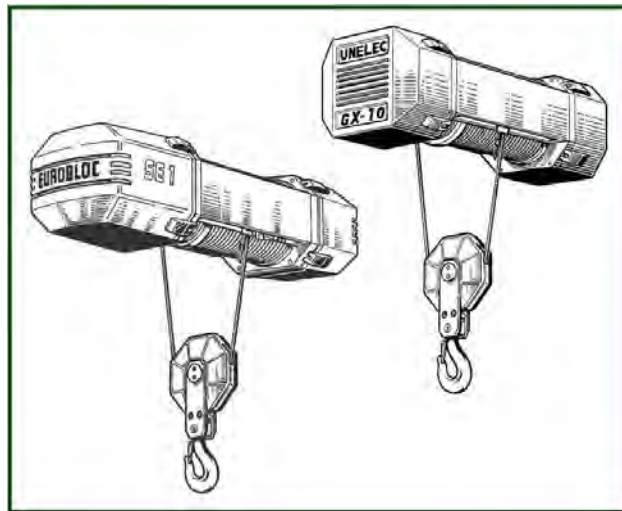


**Spare parts catalog for "SE1 - GX10"**

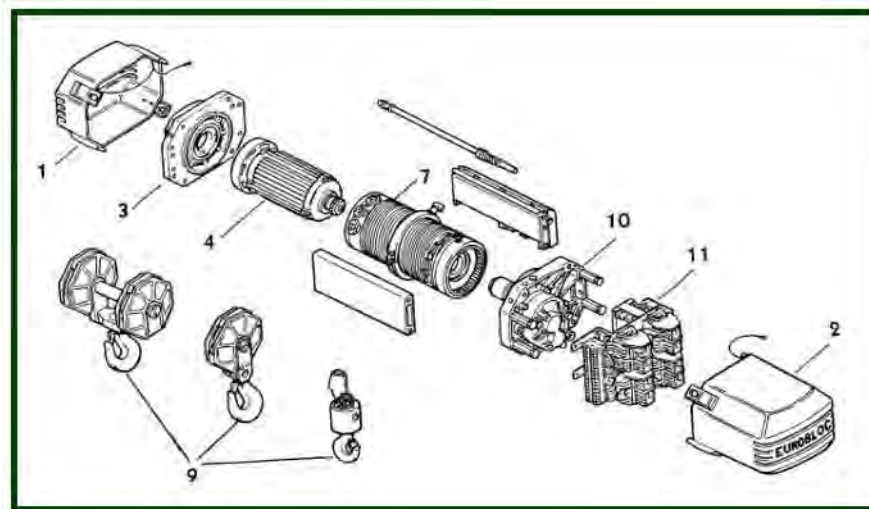
To avoid errors, when ordering please specify:

- Complete type of hoist
- Date of manufacture and serial number
- Spare part code
- Spare part designation
- Additional information



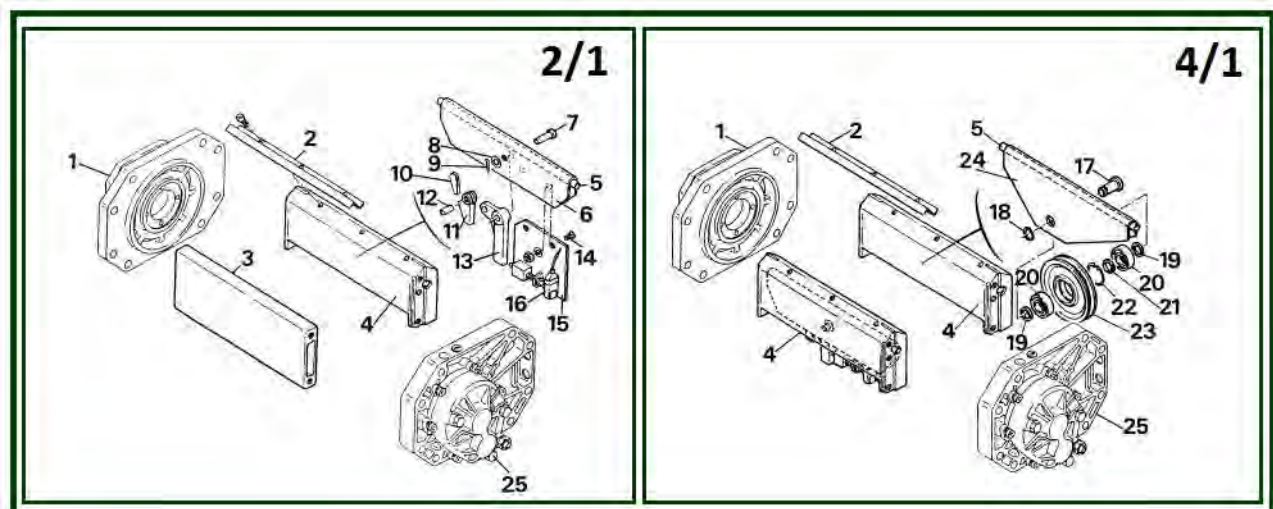
- 1) SUB-ASSEMBLIES
- 2) CROSSHEAD - FIXED POINT - RETURN PULLEY - LOAD LIMITER 2/1-4/1
- 3) DRUM ROPE GUIDE - LIMIT SWITCH - ROPE
  - 3.1) Precut rope
- 4) HOISTING GEARBOX
- 5) HOIST MOTOR
  - 5.1) SE Motor
  - 5.2) GX Motor
- 6) HOOK BLOCK - 1 FALL
- 7) HOOK BLOCK - 2 FALLS
- 8) HOOK BLOCK - 4 FALLS
- 9) STANDARD HEADROOM MONORAIL TROLLEY
- 10) REDUCED HEADROOM TROLLEY
- 11) TROLLEY 2/1 WITH OR WITHOUT LOAD LIMITER
- 12) TROLLEY 4/1 RETURN PULLEY AND FIXED POINT
- 13) CRAB FRAME
- 14) ELECTRICAL EQUIPMENT

# 1) Sub-assemblies



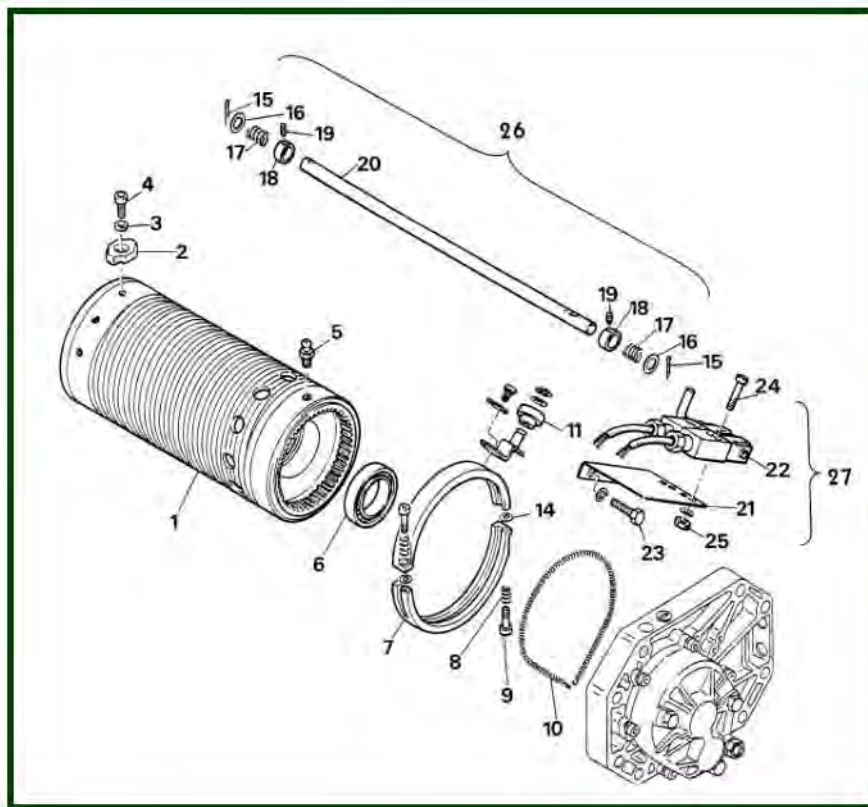
item	reference	description	observation	Quantity
1	<a href="#">341018533003</a>	Cover - Motor side	GX	1
1	<a href="#">18533001</a>	Cover - Motor side	SE	1
2	<a href="#">341018533004</a>	Gearbox housing cover	GX	1
2	<a href="#">18533002</a>	Gearbox housing cover	SE	1
3	<a href="#">11125002</a>	Motor end plate		1
4	<a href="#">18001073</a>	Hoist motor - 1 speed	3Kw - 220V 380V	1
4	<a href="#">18001123</a>	Hoist motor - 1 speed	3Kw - 415V	1
4	<a href="#">18002013</a>	Hoist motor - 2 speeds	3/0 - 75Kw - 220V	1
4	<a href="#">18002053</a>	Hoist motor - 2 speeds	3/0 - 75Kw - 380V	1
4	<a href="#">18002123</a>	Hoist motor - 2 speeds	3/0 - 75Kw - 415V	1
7	<a href="#">12135001</a>	Complete drum		1
7	<a href="#">12301002</a>	Complete rope guide	8 mm-4/2 Gauche-Levage centré Left-True vertical lift	1
7	<a href="#">12301005</a>	Complete rope guide	8mm - Droit/Right	1
7	<a href="#">12301001</a>	Complete rope guide	8mm-HPN/NHT-Droit/Right	1
9	<a href="#">13201001</a>	Complete hook block	2 brins / 2 falls	1
9	<a href="#">13401001</a>	Complete hook block	4 brins / 4 falls	1
9	<a href="#">3233310T</a>	Complete hook block	Ø 6.5 mm	1
10	<a href="#">14001003</a>	Complete hoist gearbox	16 m/mn	1
10	<a href="#">14001001</a>	Complete hoist gearbox	20 m/mn	1
10	<a href="#">14001002</a>	Complete hoist gearbox	40 m/mn	1
11	<a href="#">Chap 14</a>	Switchgear		1
-	<a href="#">7252201C</a>	Cap with screw		4
-	<a href="#">7791300E</a>	Cover seal		1
-	<a href="#">18533007</a>	Fixing part for hoist covers		4

## 2) Crosshead - Fixed point - Return pulley - Load limiter 2/1-4/1



item	reference	description	observation	Quantity
1	<a href="#">11125002</a>	Motor end plate		1
2	<a href="#">11133003</a>	Rail		1
3	<a href="#">11133001</a>	Frame - Side plate		1
4	<a href="#">11124001</a>	Yoke		1
5	<a href="#">11215001</a>	Fixed point yoke supporting rod		1
6	<a href="#">11224001</a>	Fixed point yoke		1
7	<a href="#">5231411S</a>	Anchor pin		1
8	<a href="#">7151213H</a>	Washer		1
9	<a href="#">7271322L</a>	Pin		1
10	<a href="#">8536224E</a>	Key cable	Ø 8.5 mm	1
11	<a href="#">5231410R</a>	Rope anchorage		1
12	<a href="#">5231431P</a>	Rope attachment cable	Uniquement limiteur	1
13	<a href="#">5231432R</a>	Right-angled lever		1
14	<a href="#">7216656S</a>	Fixing screw		2
15	<a href="#">11926001</a>	Load limiter mechanism plate		1
16	<a href="#">7545111H</a>	Load limiter electrical contact	Avant fin/Before end 1991	1
17	<a href="#">11316001</a>	Pulley spindle		1
18	<a href="#">7262040X</a>	Exterior circlip		1
19	<a href="#">23417002</a>	Spacer collar		2
20	<a href="#">7410082N</a>	Bearing		2
21	<a href="#">13417003</a>	Spacer collar		1
22	<a href="#">7261068R</a>	Interior circlip		1
23	<a href="#">13412001</a>	Pulley		1
24	<a href="#">11324001</a>	Return pulley yoke		1
25	<a href="#">11125001</a>	Gearbox end plate		1
	<a href="#">11901001</a>	Complete load limiter	2/1 HPR / LHT	1
	<a href="#">11901003</a>	Complete load limiter	4/1 HPR / LHT	1
	<a href="#">11901005</a>	Load limiter without support		1

### 3) Drum Rope Guide - Limit switch - Rope

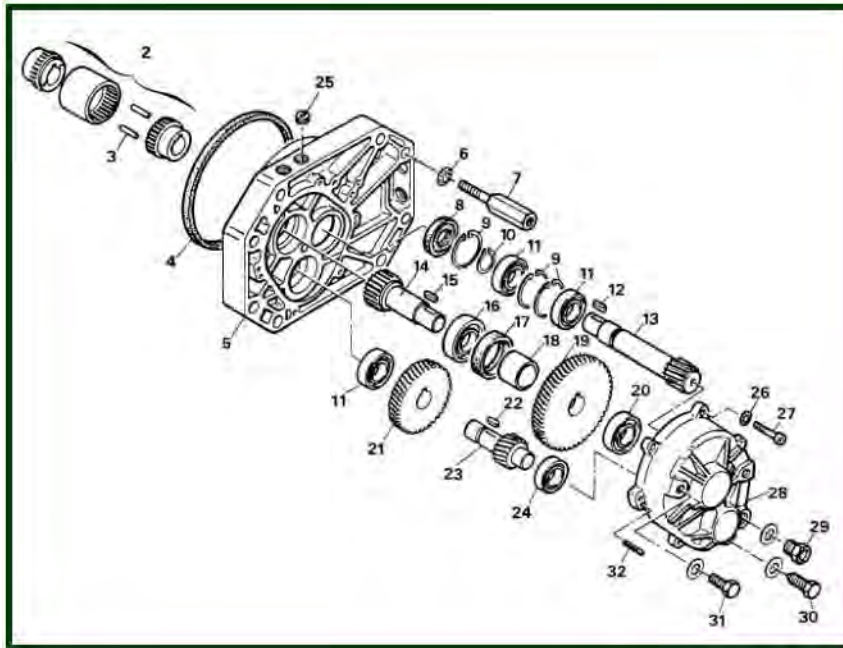


item	reference	description	observation	Quantity
1	<a href="#">12135001</a>	Complete drum		1
2	<a href="#">12133001</a>	Rope anchor on drum	VS2-VS4	3
3	<a href="#">7232100D</a>	Narrow Grover washer -10mm	DIN12	3
4	<a href="#">7215504Q</a>	CHC screw	M10X20 ZN DIN912	3
5	<a href="#">NCGr</a>	Lubricator nipple		1
6	<a href="#">7410132S</a>	Bearing	6013RS	1
7	<a href="#">12301002</a>	Complete rope guide	8 mm-4/2 Gauche-Levage centré Left-True vertical lift	1
7	<a href="#">12301005</a>	Complete rope guide	8mm - Droit/Right	1
7	<a href="#">12301001</a>	Complete rope guide	8mm-HPN/NHT-Droit/Right	1
8	<a href="#">12332001</a>	Pressure spring	VS1-VS2	1
9	<a href="#">7215309C</a>	Screw for pressure spring	CHC M6X44	2
10	<a href="#">12332002</a>	Pressure ring spring		1
11+12+13	<a href="#">12301010</a>	Rope guide roller		1
22	<a href="#">12503001</a>	Limit switch without support		1
26	<a href="#">12503002</a>	Limit switch operating rod assembly	15-16-17 18-19-20	2
27	<a href="#">12502002</a>	Limit switch contact assembly+support	20-21-22-23-24	2
	<a href="#">7333080Q</a>	Bull dog grip - ø 8,5	DIN741-6.5	1
	<a href="#">7541412N</a>	Limit switch contact - Top		1
	<a href="#">7311736E</a>	Non rotating wire rope - ø 8,5	mètre / meter	1
	<a href="#">7321833Q</a>	Preformed steel rope - ø 8,5	Le mètre / the meter	1

### **3.1) Precut rope**

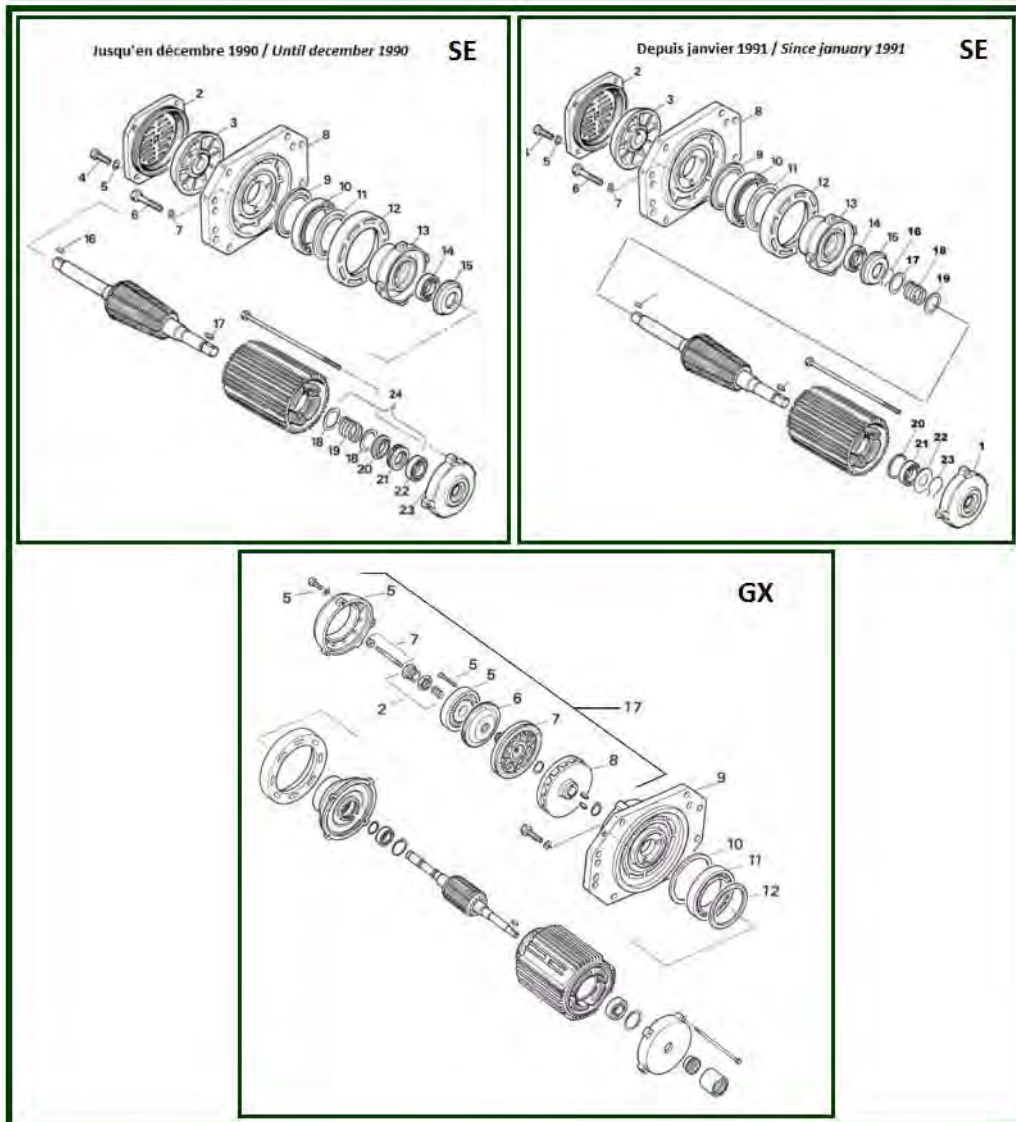
<b>item</b>	<b>reference</b>	<b>description</b>	<b>observation</b>	<b>Quantity</b>
	<u>12201002</u>	Non rotating wire rope - ø 8,5	Lg28,5m-2/1	1
	<u>12201003</u>	Preformed steel wire rope - ø 8,5	Lg29,5m-4/1	1

## 4) Hoisting gearbox

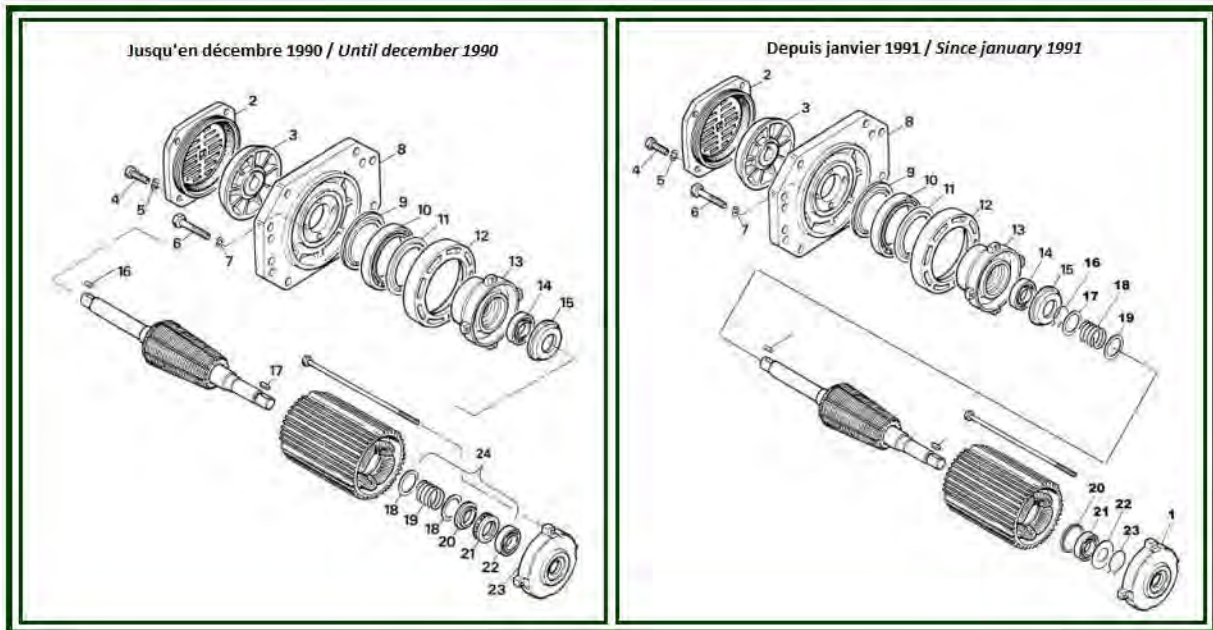


item	reference	description	observation	Quantity
2	<a href="#">12401001</a>	Complete coupling		1
3	<a href="#">7273358Z</a>	Pin		2
4	<a href="#">14033002</a>	Gasket		1
5	<a href="#">11125001</a>	Gearbox end plate		1
6	<a href="#">7232161V</a>	Washer	2/1 & 4/1 < 5T	4
7	<a href="#">11133002</a>	Locking pins		4
8	<a href="#">5235</a>	Gasket		1
9	<a href="#">7261047T</a>	Interior circlip		3
10	<a href="#">7262020A</a>	External circlip	Ø 30 - 1/77	1
11	<a href="#">7412045W</a>	Bearing		3
13	<a href="#">14020001</a>	Pinion axle 13 teeth		1
14	<a href="#">14020005</a>	Pinion axle 15 teeth		1
16	<a href="#">7425060T</a>	Bearing Ø 400	C, D, E, F	1
17	<a href="#">5212</a>	Gasket		1
18	<a href="#">14017001</a>	Spacer collar		1
19	<a href="#">14019004</a>	Geared wheel 16m/mn 66teeth		1
19	<a href="#">14019002</a>	Geared wheel 20m/mn 65 teeth		1
19	<a href="#">14019003</a>	Geared wheel 40m/mn 56teeth		1
20	<a href="#">7413050P</a>	Bearing		1
21	<a href="#">14019001</a>	Geared wheel 63 teeth		1
22	<a href="#">7282061J</a>	Key		1
23	<a href="#">14020004</a>	Pinion 16m/mn 11 teeth		1
23	<a href="#">14020002</a>	Pinion 20m/mn 12 teeth		1
23	<a href="#">14020003</a>	Pinion 40m/mn 21 teeth		1
24	<a href="#">7413040C</a>	Bearings		1
25	<a href="#">7643121R</a>	Gland		1
26	<a href="#">7232080G</a>	GROWER washer - Ø 8		6
28	<a href="#">14014001</a>	Gearbox cover		1
29	<a href="#">5221</a>	Oil level plug		1
30	<a href="#">5220</a>	Magnetized plug		2
31	<a href="#">5218</a>	Breather screw plug		1
32	<a href="#">5219</a>	Pin		1

## 5) Hoist motor



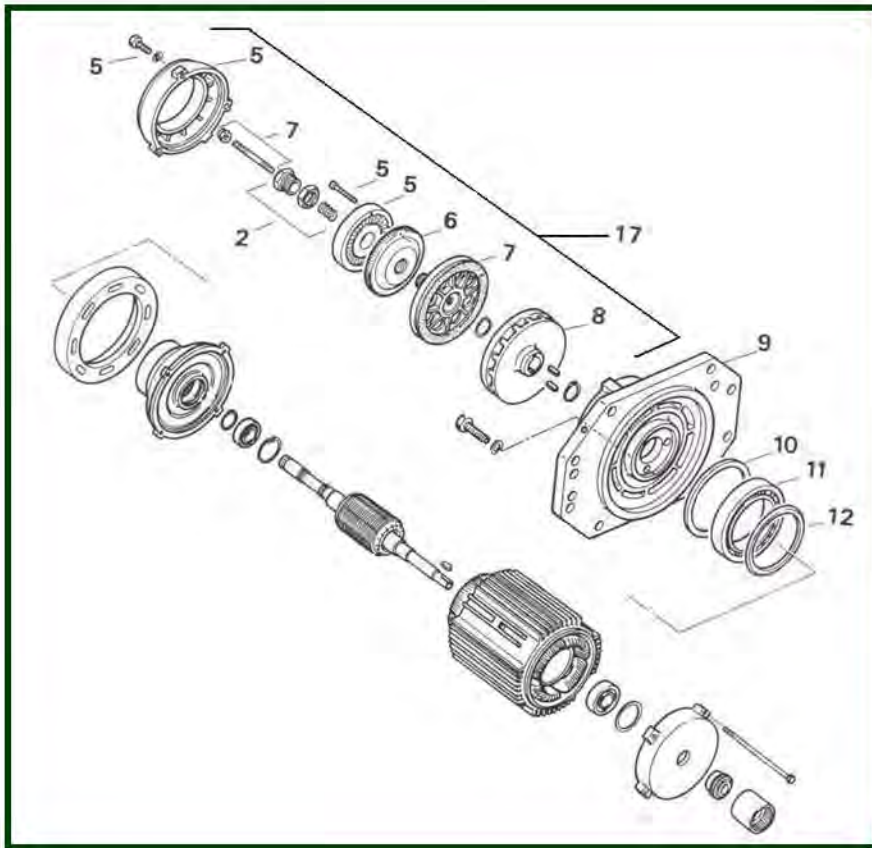
## 5.1) SE Motor



item	reference	description	observation	Quantity
1	<a href="#">18022011</a>	Flange - Coupling side	Depuis janvier 91	1
2	<a href="#">18023001</a>	Brake end cap with linings		1
3	<a href="#">18023002</a>	Brake cone		1
4	<a href="#">7215408K</a>	Screw		4
5	<a href="#">7232080G</a>	GROWER washer - Ø 8		4
6	<a href="#">7211560C</a>	Screw		4
7	<a href="#">7232100D</a>	Narrow Grower washer -10mm	DIN12	4
8	<a href="#">11125002</a>	Motor end plate		1
9	<a href="#">7416021W</a>	Gaskert		1
10	<a href="#">7410200R</a>	Bearing		1
11	<a href="#">7416022X</a>	Gasket		1
12	<a href="#">18022004</a>	Collar		1
13	<a href="#">18022001</a>	Bearing plate	Jusqu'en déc. 90 / until december 90	1
13	<a href="#">18022012</a>	Flange - Brake side	Depuis janvier 91 / since january 91	1
15	<a href="#">18022002</a>	Bearing	Jusqu'en déc. 90 / until december 90	1
16	<a href="#">7282081F</a>	Key	Jusqu'en déc. 90 / until december 90	1
17	<a href="#">7282061J</a>	Key		1
23	<a href="#">18022003</a>	Bearing plate	Jusqu'en déc. 90 / until december 90	1
24	<a href="#">18003001</a>	Repair kit	Jusqu'en déc. 90 / until december 90 (14+18+19+20+21+22)	1
-	<a href="#">18001073</a>	Hoist motor - 1 speed	3Kw - 220V 380V	1
-	<a href="#">18001123</a>	Hoist motor - 1 speed	3Kw - 415V	1
-	<a href="#">18002013</a>	Hoist motor - 2 speeds	3/0 - 75Kw - 220V	1
-	<a href="#">18002053</a>	Hoist motor - 2 speeds	3/0 - 75Kw - 380V	1
-	<a href="#">18002123</a>	Hoist motor - 2 speeds	3/0 - 75Kw - 415V	1
-	<a href="#">18023004</a>	NITROC brake cone		1
-	<a href="#">18003003</a>	Repair kit	Depuis janvier 91 / since january 91 (14+16+17+18+19+20+21+22+23)	1

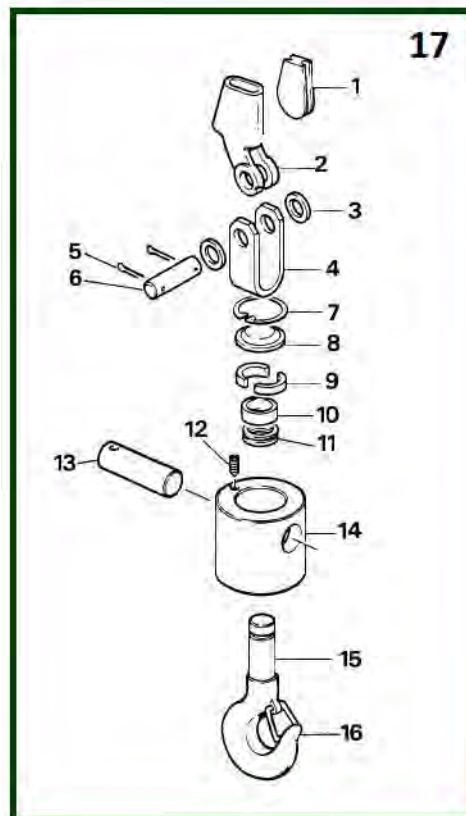


## 5.2) GX Motor



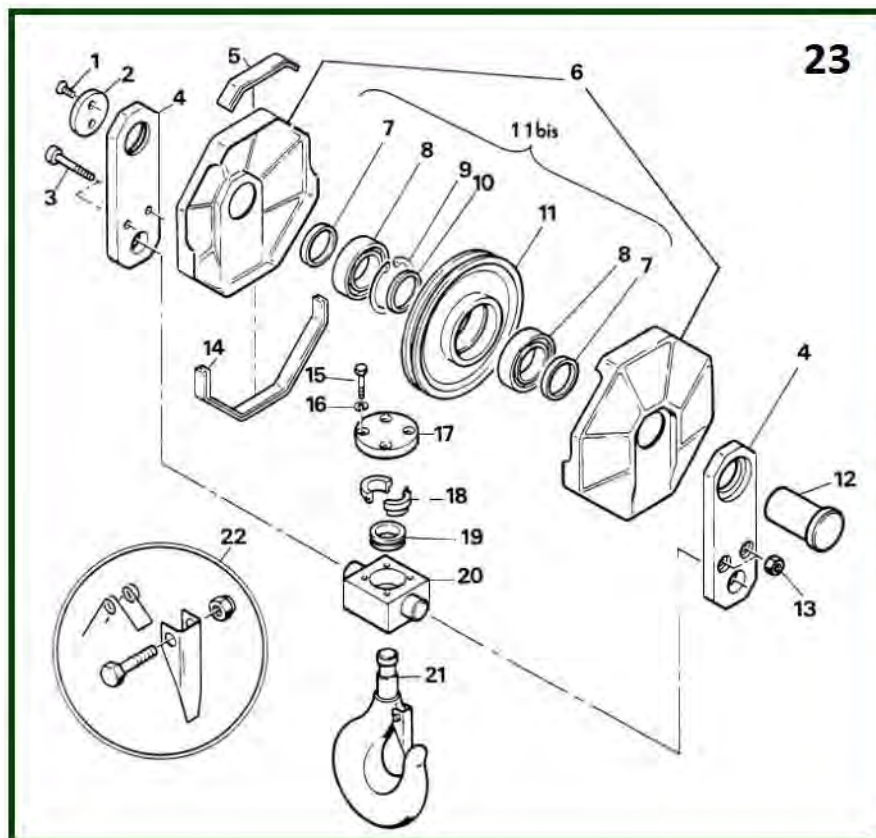
item	reference	description	observation	Quantity
2	<a href="#">341018223008</a>	Couple kit		4
5	<a href="#">341018223005</a>	Head wound kit		4
6	<a href="#">341018223004</a>	Armature		1
7	<a href="#">341018223001</a>	Brake kit		4
8	<a href="#">341018223003</a>	Frame		1
9	<a href="#">11125002</a>	Motor end plate		1
10	<a href="#">7416021W</a>	Gaskert		1
11	<a href="#">7410200R</a>	Bearing		1
12	<a href="#">7416022X</a>	Gasket		1
17	<a href="#">341018203001</a>	Complete brake assy + disc	Identique mono et bi-vitesse	1
-	<a href="#">34107344431C</a>	Hoist motor	3/0.75Kw - 2 vitesses/2 speeds 220/380V 50Hz LS100L2 FCO	1
-	<a href="#">34107343331G</a>	Hoist motor	3Kw - 1 vitesse /1 speed 220/380V LS90L3 FCO	1

## 6) Hook block- 1 fall



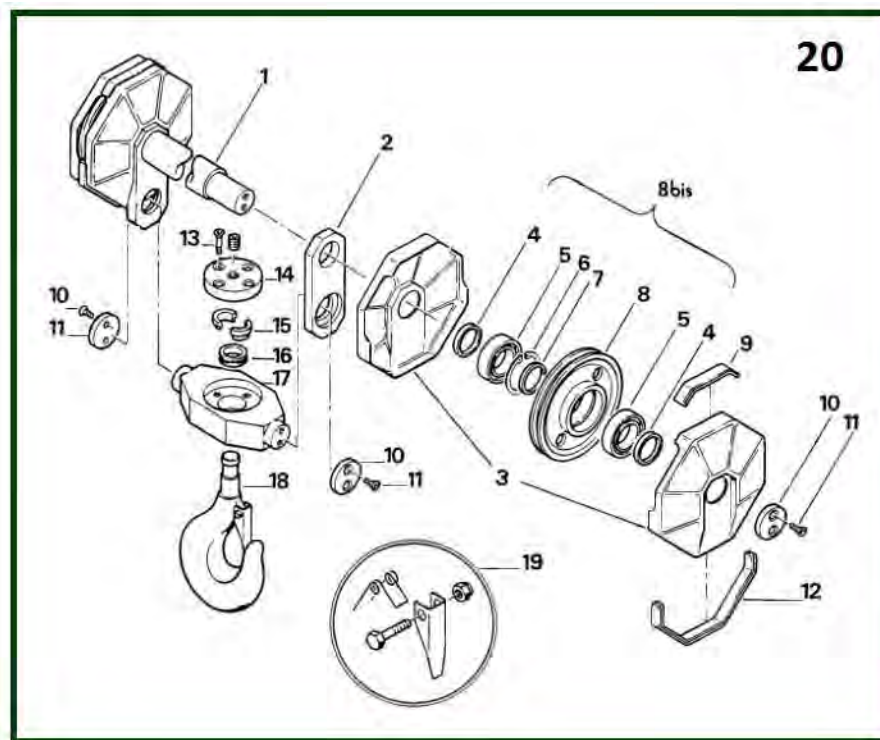
item	reference	description	observation	Quantity
1	<a href="#">8536224E</a>	Key cable	Ø 8.5 mm	1
2	<a href="#">5231410R</a>	Rope anchorage		1
3	<a href="#">7231122R</a>	Washer MU12		2
4	<a href="#">5233311G</a>	Stirrup	Câble / Rope Ø 11 & 12 mm	1
5	<a href="#">7271404A</a>	Split pin		2
6	<a href="#">5233312H</a>	Rope anchor pin		1
7	<a href="#">7261080D</a>	Internal circlip - Ø 80		1
8	<a href="#">5233615N</a>	Cap	Câble / Rope Ø 11 & 12 mm	1
9	<a href="#">5233613K</a>	Half segment ring	Câble / Rope Ø 11 & 12 mm	1
10	<a href="#">5233612J</a>	Cylindrical dish	Câble / Rope Ø 11 & 12 mm	1
11	<a href="#">7431062S</a>	Thrust bearing		1
12	<a href="#">7217434N</a>	Pointed screw	Câble / Rope Ø 11 & 12 mm	1
13	<a href="#">5233302X</a>	Axle	Câble / Rope Ø 11 & 12 mm	1
14	<a href="#">5233301W</a>	Washer	Câble / Rope Ø 11 & 12 mm	1
15	<a href="#">5233610G</a>	Hook with safety catch		1
16	<a href="#">SR32F</a>	Safety catch (wire)	Câble / Rope Ø 11 & 12 mm	1
16	<a href="#">13203003</a>	Safety-latch	Lot de /set of 5 pièces	1
17	<a href="#">3233310T</a>	Complete hook block	Ø 6.5 mm	1
	<a href="#">7333080Q</a>	Bull dog grip - ø 8,5	DIN741-6.5	1

## 7) Hook block - 2 falls



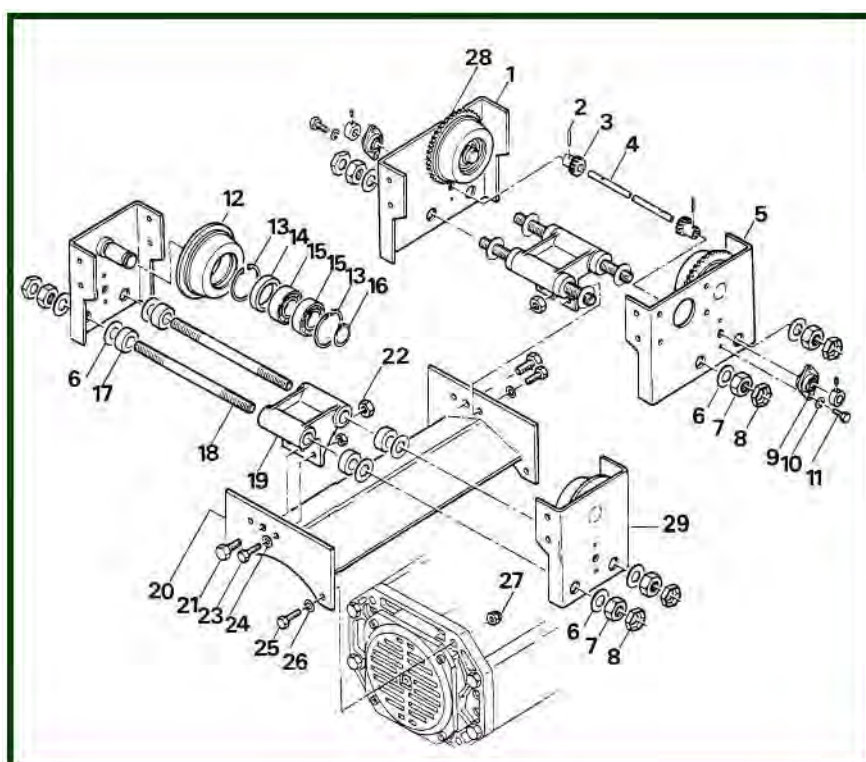
item	reference	description	observation	Quantity
1	<a href="#">7216403S</a>	Screw		2
2	<a href="#">13417001</a>	Retaining washer		1
3	<a href="#">7215412Q</a>	Screw		2
4	<a href="#">13225001</a>	Bottom block support piece		2
5	<a href="#">13433002</a>	Seal		1
6	<a href="#">13203001</a>	Bottom block cover set	05 - 14	1
7	<a href="#">13417002</a>	Spacer collar		2
8	<a href="#">7410082N</a>	Bearing		2
9	<a href="#">7261068R</a>	Interior circlip		1
10	<a href="#">13417003</a>	Spacer collar		1
11	<a href="#">13412001</a>	Pulley		1
11bis	<a href="#">13203002</a>	Pulley with bearings	7-8-9-10	1
12	<a href="#">13216001</a>	Pulley axle		1
13	<a href="#">7221080A</a>	HM nut (8)		2
14	<a href="#">13433001</a>	Gasket		1
15	<a href="#">7211354D</a>	Screw HM 6x20	Standard	4
16	<a href="#">7232060K</a>	Washer M6	Standard	4
17	<a href="#">13234001</a>	Bearing cover		1
18	<a href="#">13217001</a>	Half ring	Standard	1
19	<a href="#">7431041U</a>	Ball bearing	Standard	1
20	<a href="#">13231001</a>	Hook support	Standard	1
21	<a href="#">13213001</a>	Hook 0.5T	Standard	1
22	<a href="#">13233003</a>	Forged Safety Latch number 0.5T		1
23	<a href="#">13201001</a>	Complete hook block	2 brins / 2 falls	1

## 8) Hook block - 4 falls



item	reference	description	observation	Quantity
1	<a href="#">13416001</a>	Pulley axle		1
2	<a href="#">13425001</a>	Bottom block support piece		2
3	<a href="#">13203001</a>	Bottom block cover set	05 - 14	2
4	<a href="#">13417002</a>	Spacer collar		4
5	<a href="#">7410082N</a>	Bearing		4
6	<a href="#">7261068R</a>	Interior circlip		2
7	<a href="#">13417003</a>	Spacer collar		2
8	<a href="#">13412001</a>	Pulley		2
8bis	<a href="#">13203002</a>	Pulley with bearings	7-8-9-10	2
9	<a href="#">13433002</a>	Seal		2
10	<a href="#">13417001</a>	Retaining washer		4
11	<a href="#">7216403S</a>	Screw		8
12	<a href="#">13433001</a>	Gasket		2
13	<a href="#">7216466U</a>	Screw		4
14	<a href="#">13434001</a>	Bearing cover		1
15	<a href="#">13417004</a>	Two-part collar		1
16	<a href="#">7431052F</a>	Thrust ball bearing		1
17	<a href="#">13431001</a>	Bottom block cross-piece		1
18	<a href="#">13413001</a>	Hook with safety latch		1
19	<a href="#">23233003</a>	Safety latch N°1	RSN08	1
20	<a href="#">13401001</a>	Complete hook block	4 brins / 4 falls	1

## 9) Standard headroom monorail trolley



item	reference	description	observation	Quantity
1	<a href="#">15001003</a>	Ungeared side plate with wheel	Modèle 07/89	1
2	<a href="#">7273255N</a>	Pin		2
3	<a href="#">15020001</a>	Drive pinion	18 dents/teeth	2
4	<a href="#">15015005</a>	Drive shaft	Lg 446 mm	1
4	<a href="#">15015001</a>	Jackshaft	Lg 249	1
4	<a href="#">15015002</a>	Jackshaft	Lg 296	1
4	<a href="#">15015004</a>	Jackshaft	Lg 394	1
4	<a href="#">15015003</a>	Return shaft	Lg 346mm Fer inférieur ou égal à 200mm / Width less or equal than 200mm	1
5	<a href="#">15001002</a>	Geared side plate wheel	Modèle LS 07/89	1
6	<a href="#">7152411K</a>	Washer	1 mm	8
6	<a href="#">7231241W</a>	Washer	3 mm	56
7	<a href="#">7221240Z</a>	Nut		8
8	<a href="#">7223240Y</a>	PAL nut		8
9	<a href="#">7447101A</a>	Bearing		2
10	<a href="#">7232060K</a>	Washer M6	Standard	4
11	<a href="#">7211351A</a>	Screw		4
12	<a href="#">15001004</a>	Ungeared wheel complete without axle	Ø 100 - Model 89	2
12	<a href="#">15011001</a>	Ungeared wheel only	Modèle / Model 07/89	2
13	<a href="#">7261055B</a>	Interior circlip	Modèle / Model 07/89	8
14	<a href="#">15017001</a>	Spacer collar	Modèle / Model 07/89 - Ep. / Th. 26 mm	4
15	<a href="#">7410065U</a>	Bearing	Modèle / Model 07/89 - Ep. / Th. 49 mm	8
16	<a href="#">7262030L</a>	External circlip	Ø 30	4
17	<a href="#">5432116Z</a>	Spacer collar	ép. / th 26 mm	8
17	<a href="#">5432117A</a>	Spacer collar	ép. / th 49 mm	8
18	<a href="#">5432101H</a>	Spacer	Lg 280 - ø 24	4
18	<a href="#">5432102J</a>	Spacer	Lg 375 - ø 24	4
18	<a href="#">5432103K</a>	Spacer	Lg 410 - ø 24	4
18	<a href="#">5432107Q</a>	Spacer	Lg 500 - ø 24	4
19	<a href="#">5532252T</a>	Suspension plate		2
20	<a href="#">15031001</a>	Crosshead adapter for 2/1 model		1
20	<a href="#">15031002</a>	Crosshead adapter for 4/1 model		1

21	<u>7211908F</u>	Screw for crosshead	2/1 & 4/1 < 5 T	1
22	<u>7227200C</u>	NYLSTOP nut		2
23	<u>7211657H</u>	Screw		4
24	<u>7231122R</u>	Washer MU12		4
25	<u>7211812B</u>	Screw	2/1 & 4/1 < 5T	4
26	<u>7231162J</u>	Plate washer	Câble / Rope Ø 11 mm	4
27	<u>7227160J</u>	NYLSTOP nut	2/1 & 4/1 < 5T	4
28	<u>15001005</u>	Geared wheel complete without axle	Ø 100 - Model 89	2
28	<u>15011002</u>	Geared wheel only	Modèle / Model 07/89	2
29	<u>15001001</u>	Ungeared side plate with wheel	1/93	2

## 10) Reduced headroom trolley

item	reference	description	observation	Quantity
1	<a href="#">15001006</a>	Idler frame with fittings		1
2	<a href="#">15025004</a>	Driven frame plate with axles		1
2	<a href="#">15001007</a>	Driven frame plate with fittings		1
2	<a href="#">15025003</a>	Idler frame plate with axles		1
3	<a href="#">15018007</a>	Spacer tube	Lg 315 mm	2
3	<a href="#">15018003</a>	Tube	126 mm	2
3	<a href="#">15018004</a>	Tube	160 mm	2
3	<a href="#">15018005</a>	Tube	205 mm	2
3	<a href="#">15018005</a>	Tube	205 mm	2
3	<a href="#">15018006</a>	Tube	275 mm	2
4	<a href="#">5432101H</a>	Spacer	Lg 280 - ø 24	2
4	<a href="#">5432102J</a>	Spacer	Lg 375 - ø 24	2
4	<a href="#">5432103K</a>	Spacer	Lg 410 - ø 24	2
4	<a href="#">5432107Q</a>	Spacer	Lg 500 - ø 24	2
5	<a href="#">5432116Z</a>	Spacer collar	ép. / th 26 mm	2
5	<a href="#">5432117A</a>	Spacer collar	ép. / th 49 mm	2
6	<a href="#">7231241V</a>	Adjustment washer	Ep. / Th 3 mm	14
6	<a href="#">7152411K</a>	Washer	1 mm	4
6	<a href="#">7152421W</a>	Washer	2 mm	4
7	<a href="#">7221240Z</a>	Nut		4
8	<a href="#">7223240Y</a>	PAL nut		4
9	<a href="#">15001004</a>	Ungeared wheel complete without axle	Ø 100 - Model 89	2
9	<a href="#">15011001</a>	Ungeared wheel only	Modèle / Model 07/89	2
10	<a href="#">15001005</a>	Geared wheel complete without axle	Ø 100 - Model 89	2
10	<a href="#">15011002</a>	Geared wheel only	Modèle / Model 07/89	2
11	<a href="#">7273255N</a>	Pin		2
12	<a href="#">15020002</a>	Counter pinion		2
12bis	<a href="#">15003002</a>	Set of 2 pinions and 2 pins		1
13	<a href="#">15015005</a>	Drive shaft	Lg 446 mm	1
13	<a href="#">15015001</a>	Jackshaft	Lg 249	1
13	<a href="#">15015002</a>	Jackshaft	Lg 296	1
13	<a href="#">15015004</a>	Jackshaft	Lg 394	1
13	<a href="#">15015003</a>	Return shaft	Lg 346mm Fer inférieur ou égal à 200mm / Width less or equal than 200mm	1
14	<a href="#">7262030L</a>	External circlip	Ø 30	4
15	<a href="#">7261055B</a>	Interior circlip	Modèle / Model 07/89	8
16	<a href="#">7410065U</a>	Bearing	Modèle / Model 07/89 - Ep. / Th. 49 mm	8
17	<a href="#">15017001</a>	Spacer collar	Modèle / Model 07/89 - Ep. / Th. 26 mm	4
18	<a href="#">7447101A</a>	Bearing		2
19	<a href="#">7232060K</a>	Washer M6	Standard	4
20	<a href="#">7211351A</a>	Screw		4
21	<a href="#">11433002</a>	Fixing lugs		2
22	<a href="#">15031003</a>	Set of girders		1
23	<a href="#">15018002</a>	Counterweight locking bar		2
24	<a href="#">11533001</a>	Counterweight		2
25	<a href="#">15031004</a>	Girder cross-piece		1
26	<a href="#">7211824Q</a>	Screw		2
27	<a href="#">7232160U</a>	Washer		2
28	<a href="#">7221160N</a>	Nut		2
29	<a href="#">7211816F</a>	Split pin		8
30	<a href="#">7231162J</a>	Plate washer	Câble / Rope Ø 11 mm	8
31	<a href="#">7227160J</a>	NYLSTOP nut	2/1 & 4/1 < 5T	8

## 11) Trolley 2/1 with or without load limiter

item	reference	description	observation	Quantity
1	<u>11233001</u>	Right hand fixed point support		1
2	<u>11215002</u>	Fixed point support rod		1
3	<u>7231201B</u>	Flat washer		2
4	<u>7271633Z</u>	Split pin 6.3 x 56		2
5	<u>7211808X</u>	Screw		4
6	<u>7232160U</u>	Washer		4
7	<u>7221160N</u>	Nut		4
8	<u>11233002</u>	Left hand fixed point support		1
9	<u>5231411S</u>	Anchor pin		1
10	<u>11224002</u>	Fixed point yoke		1
11	<u>7151213H</u>	Washer		1
12	<u>831653</u>	Pin		1
13	<u>7216656S</u>	Fixing screw		2
14	<u>7232120A</u>	Grower washer (12)		2
15	<u>7221120U</u>	HM nut 12		2
16	<u>11901005</u>	Load limiter without support		1
17	<u>7545111H</u>	Load limiter electrical contact	Avant fin/Before end 1991	1
18	<u>5231432Q</u>	Right-angled lever		1
19	<u>5231410R</u>	Rope anchorage		1
20	<u>5231431P</u>	Rope attachment cable	Uniquement limiteur	1
21	<u>8536224E</u>	Key cable	Ø 8.5 mm	1
-	<u>11901001</u>	Complete load limiter	2/1 HPR / LHT	1
-	<u>7545112J</u>	Switch	Avant fin/Before end 1991	1



## 12) Trolley 4/1 return pulley and fixe point

item	reference	description	observation	Quantity
1/8	<u>11233003</u>	Fixed point support		2
2	<u>11215003</u>	Fixed point spindle		1
3	<u>7231201B</u>	Flat washer		2
4	<u>7271633Z</u>	Split pin 6.3 x 56		2
5	<u>7211808X</u>	Screw		8
6	<u>7232160U</u>	Washer		8
7	<u>7221160N</u>	Nut		8
9	<u>5231411S</u>	Anchor pin		1
10	<u>11224002</u>	Fixed point yoke		1
11	<u>7151213H</u>	Washer		1
12	<u>831653</u>	Pin		1
13	<u>7216656S</u>	Fixing screw		2
14	<u>7232120A</u>	Grower washer (12)		2
15	<u>7221120U</u>	HM nut 12		2
16	<u>11901006</u>	Load limiter mechanism plate		1
17	<u>7545111H</u>	Load limiter electrical contact	Avant fin/Before end 1991	1
18	<u>5231432Q</u>	Right-angled lever		1
19	<u>5231410R</u>	Rope anchorage		1
20	<u>5231431P</u>	Rope attachment cable	Uniquement limiteur	1
21	<u>8536224E</u>	Key cable	Ø 8.5 mm	1
22	<u>11333001</u>	Return pulley support		2
23	<u>11324003</u>	Return pulley yoke		1
24	<u>13203002</u>	Pulley with bearings	7-8-9-10	1
24bis	<u>11316001</u>	Pulley spindle		1
25	<u>7262040X</u>	Exterior circlip		1
26	<u>11333002</u>	Rope guide		1
-	<u>11901003</u>	Complete load limiter	4/1 HPR / LHT	1

## 13) Crab frame

item	reference	description	observation	Quantity
1	<a href="#">25580043</a>	Motor drive	415V - 16/4 m/mn	1
1	<a href="#">25580023</a>	Motor drive	220V - 16/4 m/mn	1
1	<a href="#">25580021</a>	Motor drive	220V - 20/5 m/mn	1
1	<a href="#">25580022</a>	Motor drive	220V - 25/6 m/mn	1
1	<a href="#">25580003</a>	Motor drive	380V - 16/4 m/mn	1
1	<a href="#">25580001</a>	Motor drive	380V - 20/5 m/mn	1
1	<a href="#">25580002</a>	Motor drive	380V - 25/6 m/mn	1
1	<a href="#">25580004</a>	Motor drive	380V - 32/8 m/mn	1
1	<a href="#">25580041</a>	Motor drive	415V - 20/5 m/mn	1
1	<a href="#">25580042</a>	Motor drive	415V - 25/6 m/mn	1
1	<a href="#">25580044</a>	Motor drive	415V - 32/8 m/mn	1
2	<a href="#">721555V</a>	BTR screw 10 x 25		4
3	<a href="#">7211556Y</a>	Screw		12
4	<a href="#">7231102U</a>	Washer		12
5	<a href="#">15511002</a>	Bearing housing nearest motor		2
6	<a href="#">15511003</a>	Bearing housing furthest from motor		2
7	<a href="#">7412072A</a>	Complete bearing	VP9-VS302	8
8	<a href="#">15503001</a>	Driving wheel set - ø 90 -G50	VS302..F - VS402 A partir / Since 1999	2
9	<a href="#">15503005</a>	Driving wheel set - ø 90 - G65	VS302..F - VS402 A partir / Since 1999	2
10	<a href="#">7262035S</a>	Circlip - Ø 35		4
11	<a href="#">15517002</a>	Stepped collar		4
12	<a href="#">7235959Y</a>	Washer		4
15	<a href="#">15503006</a>	Travel wheel set ø 90 - G65	VS202/VP9 - VS302..F - VS402 A partir / Since 1999	2
15	<a href="#">15503003</a>	Travel wheel set - ø 90 - G50	VS202/VP9 - VS302..F - VS402 A partir / Since 1999	2
16	<a href="#">15515001</a>	Travel wheel idler axle		2
17	<a href="#">7910802Y</a>	Rubber buffer	Ø 80	4
18	<a href="#">7273558S</a>	Pin		4
19	<a href="#">7211812B</a>	Screw	2/1 & 4/1 < 5T	8
20	<a href="#">7232160U</a>	Washer		8
21	<a href="#">7221160N</a>	Nut		8
22	<a href="#">15520001</a>	Drive shaft	0.9m	1
22	<a href="#">15520002</a>	Drive shaft	1.4m	1
22	<a href="#">15520003</a>	Drive shaft	2m	1
22	<a href="#">15520006</a>	Drive shaft - Exterior motor	2m	1
22	<a href="#">15520004</a>	Set of drive shaft 900 exterior motor		1
22	<a href="#">15520005</a>	Set of drive shaft 1400 exterior motor		1
	<a href="#">15503002</a>	Bearling-flange set	VP9-VS302	1

## 14) Electrical equipment

item	reference	description	observation	Quantity
-	<a href="#">7366403C</a>	2 speeds contact element	XENG1191	1
-	<a href="#">7632422L</a>	Box casing with clamp 2 buttons	XAC A02	1
-	<a href="#">7532027L</a>	Brake contactor 400V/48V - LC1D09E7	Moteur / Motor P4-P5-P6-P7-P8-P9 - AK7	1
-	<a href="#">7661915U</a>	Bull dog grip SIMPLEX		1
-	<a href="#">7632412A</a>	Buttons with black gummi	XAC A9412	1
-	<a href="#">7632413B</a>	Buttons with red gummi	XAC A9414	1
-	<a href="#">7641109D</a>	Cable gland (9)	Câble rond	1
-	<a href="#">7641111F</a>	Cable gland (11)	Câble rond	1
-	<a href="#">7641113H</a>	Cable gland (13)	Câble rond	1
-	<a href="#">7641116L</a>	Cable gland (16)	Câble rond	1
-	<a href="#">7642029D</a>	Cable gland (21)	1 câble plat 4x2.5 <sup>2</sup>	1
-	<a href="#">7642129N</a>	Cable gland (29)	1 câble plat 4x6 <sup>2</sup>	1
-	<a href="#">7642229W</a>	Cable gland (29)	1 câble plat 8x1.5 <sup>2</sup>	1
-	<a href="#">7642329E</a>	Cable gland (29)	2 câbles plats 4x6 <sup>2</sup>	1
-	<a href="#">7642429P</a>	Cable gland (29)	2 câbles plats 8x1.5 <sup>2</sup>	1
-	<a href="#">7641129A</a>	Cable gland (29)	Câble rond	1
-	<a href="#">7642536E</a>	Cable gland (36)	1 câble plat 4x16 <sup>2</sup>	1
-	<a href="#">7642236D</a>	Cable gland (36)	1 câble plat 12x1,5 <sup>2</sup>	1
-	<a href="#">7641136H</a>	Cable gland (36)	Câble rond	1
-	<a href="#">7642648B</a>	Cable gland (48)	1 câble plat 4x25 <sup>2</sup>	1
-	<a href="#">7648109N</a>	Cap nut (9)		1
-	<a href="#">7648111Q</a>	Cap nut (11)		1
-	<a href="#">7648113S</a>	Cap nut (13)		1
-	<a href="#">7648116V</a>	Cap nut (16)		1
-	<a href="#">7648121A</a>	Cap nut (21)		1
-	<a href="#">7648129J</a>	Cap nut (29)		1
-	<a href="#">7648136S</a>	Cap nut (36)		1
-	<a href="#">8812052T</a>	Control cable	5x1.5mm <sup>2</sup>	1
-	<a href="#">8812152B</a>	Control cable	16x1,5 mm <sup>2</sup>	1
-	<a href="#">7581715V</a>	Earth MS4/6		1
-	<a href="#">7581719Z</a>	Earth MS6/8P		1
-	<a href="#">7575300X</a>	Fuse 1A		1
-	<a href="#">7576410D</a>	Fuse 10AM		1
-	<a href="#">7573751P</a>	Fuse carrier GK1EV		1
-	<a href="#">7573242K</a>	Fuse support	BC31	1
-	<a href="#">7578011U</a>	Fuse support	GB2CD06	1
-	<a href="#">7641121S</a>	Gland 21	Câble rond	1
-	<a href="#">7581725F</a>	Gland diam :30		1
-	<a href="#">7531021T</a>	Interlocked contactor	LC2D099E	1
-	<a href="#">7531023V</a>	Interlocked contactor	LC2EC09E	1
-	<a href="#">7634431V</a>	Label - Off	ZB2BY2931	1
-	<a href="#">7532220W</a>	Main contactor - 400V/48V - LC1D18E7	Moteur / Motor P2-P3 - O-K1	1
-	<a href="#">16126001</a>	Mounting plate for electrical equipment		1
-	<a href="#">7633401A</a>	One step control part low voltage control with 1 « F » contact	ZB2 BE101	1
-	<a href="#">7633402B</a>	One step control part low voltage control with 1 « O » contact	ZB2 BE102	1
-	<a href="#">8812202F</a>	Pendant cable without green / yellow	20x1,5 mm <sup>2</sup>	1
-	<a href="#">7521111W</a>	Rectifier	Frein / Brake 24V	1
-	<a href="#">7535214A</a>	Relay	LT25A30E	1
-	<a href="#">7535414T</a>	Relay FINDER	48V	1
-	<a href="#">7531220J</a>	Reversing contactor - 690V/48V - LC2D18E7	Moteur / Motor P4 - AK1-AK2	1
-	<a href="#">7632401P</a>	Rubber protection cover	XAC A960	1
-	<a href="#">7634416D</a>	Sticker backward	ZB2BY2916	1
-	<a href="#">7634417E</a>	Sticker backward high speed	ZB2BY2917	1

-	<a href="#">7634418F</a>	Sticker backward slow speed-high speed	ZB2BY2918	1
-	<a href="#">7634404R</a>	Sticker down	ZB2BY2904	1
-	<a href="#">7634405S</a>	Sticker down high speed	ZB2BY2905	1
-	<a href="#">7634406T</a>	Sticker down slow speed-high speed	ZB2BY2906	1
-	<a href="#">7634413A</a>	Sticker forward	ZB2BY4913	1
-	<a href="#">7634414B</a>	Sticker forward high speed	ZB2BY4914	1
-	<a href="#">7634415C</a>	Sticker forward slow speed-high speed	ZB2BY4915	1
-	<a href="#">7634410X</a>	Sticker left	ZB2BY2910	1
-	<a href="#">7634411Y</a>	Sticker left high speed	ZB2BY2911	1
-	<a href="#">7634412Z</a>	Sticker left slow and high speed	ZB2BY2912	1
-	<a href="#">7634430U</a>	Sticker ON	ZB2BY4930	1
-	<a href="#">7634435Z</a>	Sticker ON-ALARM	ZB2BY4935	1
-	<a href="#">7634407U</a>	Sticker right	ZB2BY4907	1
-	<a href="#">7634408V</a>	Sticker right high speed	ZB2BY4908	1
-	<a href="#">7634409W</a>	Sticker right slow speed-high speed	ZB2BY4909	1
-	<a href="#">7634401N</a>	Sticker UP	ZB2BY4901	1
-	<a href="#">7634402P</a>	Sticker UP high speed	ZB2BY4902	1
-	<a href="#">7634403Q</a>	Sticker UP slow speed-high speed	ZB2BY4903	1
-	<a href="#">16126002</a>	Support bracket FINDER		1
-	<a href="#">7512032C</a>	Transformer 40VA	220/48V	1
-	<a href="#">7512332D</a>	Transformer 40VA	380-420-500/48V	1
-	<a href="#">7512532W</a>	Transformer 40VA	440-460-480/42-48V	1
-	<a href="#">7532122Q</a>	Two speeds selection contactor	LC1D128E	1
-	<a href="#">7532324J</a>	Two speeds selection contactor	LC1D258E	1
-	<a href="#">7532021E</a>	Two speeds selection contactor	LC1EC08E	1