

STAGEMAKER

Next level partnership

new
SL

IP66

available soon

D8+

as standard
SPQ2





STAGEMAKER
SLS DOUBLE BRAKE

STAGEMAKER

STAGEMAKER SL is the result of our vast experience in the entertainment market, along with well established R&D and relationships with our worldwide customer base.

1975



Launch of Europe's first inverted, electric powered hoist, the LITACHAIN L104 range

1990



Launch of the LITACHAIN LI 5 & LI10 range

1998



Launch of the STAGEMAKER SM range

2013



Launch of the STAGEMAKER SR range

2020



Launch of the STAGEMAKER SL range

STAGEMAKER has an excellent global reputation with more than 45 years of experience in the entertainment rigging market as well as theaters, studios, events, trade show,... Our long life span, together with our impressive customer references, proves our commitment to this market and the reliability and ingenuity of our products.

Backed by this ongoing policy of innovation, constant upgrading in tune with current technologies and worldwide regulation (CE, DIN), the STAGEMAKER SL range of hoists will further prove that Stagemaker is Raising the Standard of Performance in the entertainment market.

STAGEMAKER

SL

new

+ innovation

PERFECT PUSH

- > New "Perfect Push MKII", patented concept, 5 pocket load wheel. This innovation provides improved chain guiding and chain flow, to help reduce the risk of chain jamming.



IP66
available soon

D8+
as standard
SPQ2

+ safety

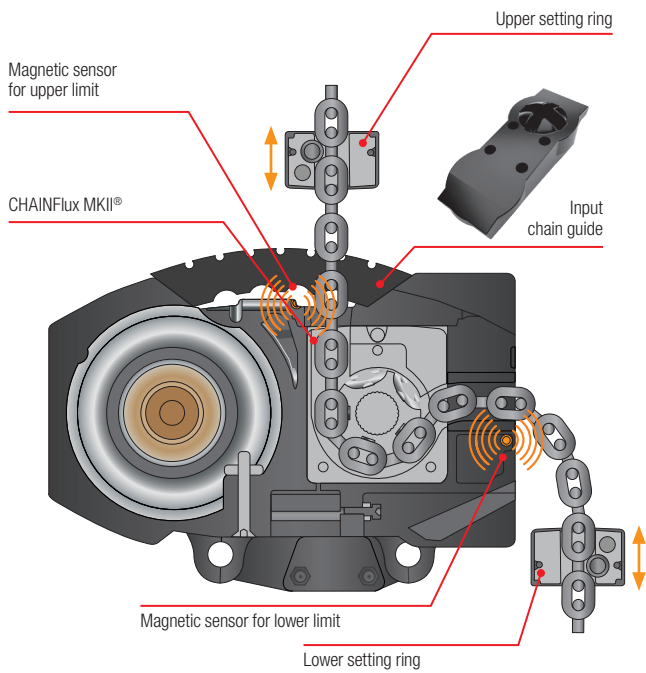
- > Stagemaker SL & SR is **D8+ as standard** (SPQ2) and D8 by removing one brake.
- > **Double lifting brake as standard** for more safety.
- > **IP66 protection as standard** for the entire hoist.
- > Clutch concept. The clutch position in the reducer ensures the load is held by the brake regardless of the machine's daily operating conditions.
- > Magnetic limit switch as standard on all SL5 and SL10 (version B) with standard Limitflux.
- > **G100 Black electro galvanized lifting chain as standard** manufactured specifically for Stagemaker.
- > All hoist motor as integral thermal protection to prevent overheating (version B).



Optional equipment

- > Single brake.
- > Pushbutton controller.
- > 4, 8, 12,... channels controllers.
- > Low voltage control (48 V) version B.
- > Large range of flight cases.
- > Non rotating hook.
- > Suspension bracket instead of upper hook.
- > Industrial chain guide.
- > Encoder.
- > Load measuring system.
- > Rain cover protection.





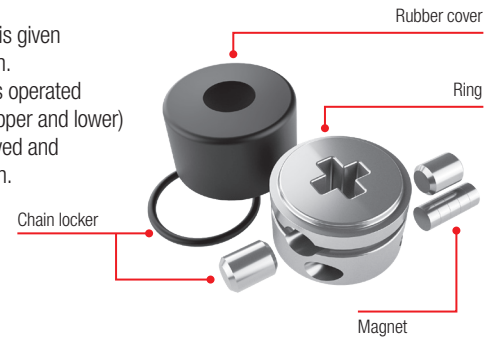
CHAINFLUX®

- > Design provides a horizontal flow of the chain as it comes off the load wheel. This design, along with the high strength aluminum construction, allows for a more fluid flow of the chain into the chain bag and helps to reduce the risk of chain jamming. Drain in housing to avoid water collection in load wheel compartment.



LIMITFLUX®

- > The Limitflux is a built-in limit switch device in the CHAINFlux MKIII that's allow to control setting of hoist or hook position in industrial suspension or climbing configuration.
- > Accuracy of the system is given at one link of lifting chain.
- > The setting of the limit is operated by two magnetic ring (upper and lower) which can be easily moved and set along the lifting chain.



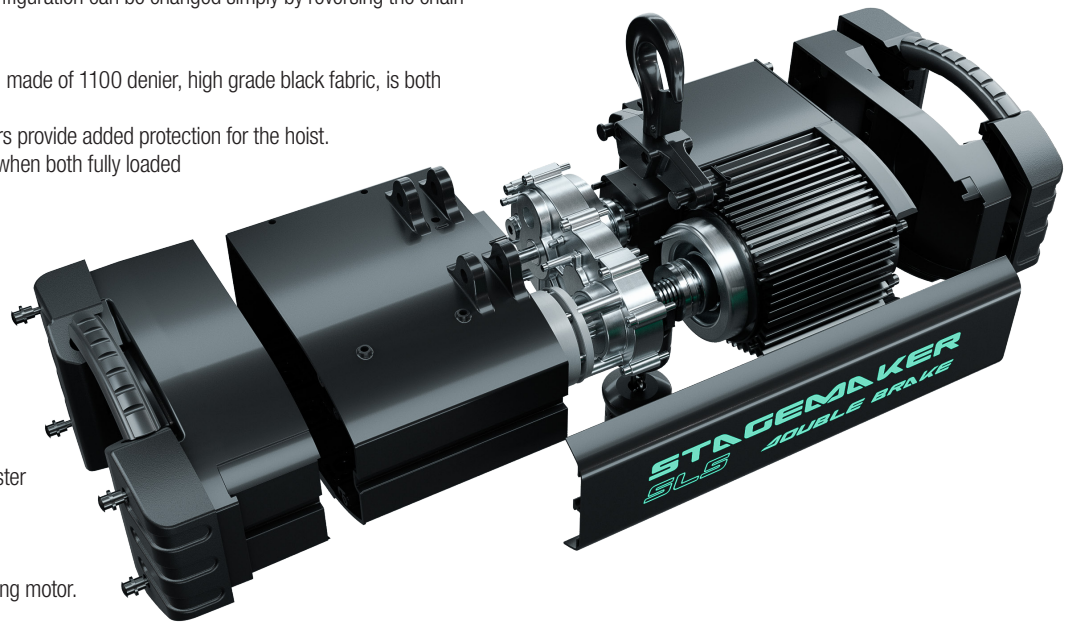
+ operating convenience

- > Operating sound level down to 60 db (test certificate available).
- > Climbing hoist or industrial suspension configuration can be changed simply by reversing the chain container.
- > Rotating upper and lower hooks.
- > High capacity and high strength chain bag made of 1100 denier, high grade black fabric, is both removable and reversible.
- > Rubber buffers located on the hoist corners provide added protection for the hoist.
- > Motor design provides consistent speeds when both fully loaded or unloaded.
- > Electrical components designed for "plug and play" connectivity.

+ savings

Maintenance operations are now simpler, faster and more economical:

- > Easy access to the torque limiter.
- > Easy access to safety fuses.
- > New concept of easily dismountable hoisting motor.
- > Easy visual access to the brake for control.



+ improved ergonomics

- > Due to oval shape the chain can't be stock on top of the motor, this reduce the risk of chain jamming. The design with its flowing and refined lines draws attention to its robustness and on-board technology and gives a strong impression of integral safety. The new streamlining provides STAGEMAKER SR and SL better integration in its operating environment (lighting, loudspeakers, etc.).
- > Hoist meets ecology regulations and is RohS compliant.
- > The hoist body is powder coated with black (RAL 7021), protective 70 µm epoxy paint, allowing it to perform under the most extreme conditions (-10 C° to +40 C°).



- > Lifting hook has an ergonomic, rubber clad, gripping surface.
- > New ergonomic concept for the retractable, rubber clad handgrips, allow an easy transportation of the hoist (SL5 and SL10 as standard, SR1 as option).
- > Black CE P17 plug for better integration.

Range



SRI
D8 up to **320 kg**
(500 kg on 2 falls)
D8+ up to **250 kg**



SLS
D8 up to **500 kg**
D8+ up to **500 kg**



SL10
D8 up to **1000 kg**
(2000 kg on 2 falls)
D8+ up to **1000 kg**



SR25
D8 up to **2500 kg**
(5000 kg on 2 falls)
D8+ up to **1250 kg**
(2500 kg on 2 falls)

Operating configurations

CLIMBING HOIST CONFIGURATION



INDUSTRIAL SUSPENSION HOIST CONFIGURATION

STAGEMAKER

SR1 at a glance

Small but **powerful**
250 kg on one fall (D8+)!
320 kg on one fall (D8)!

D8+
 as standard
 SPQ2



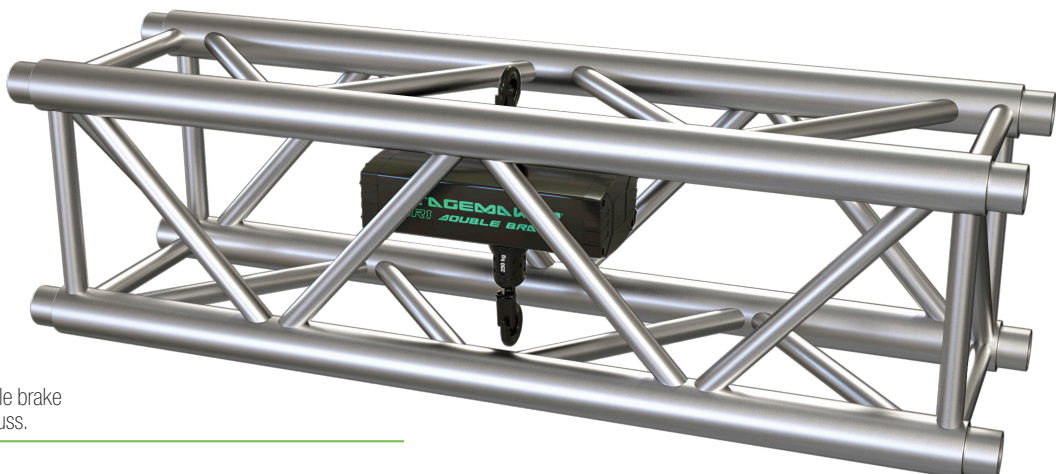
Technical characteristics

- > 1 fall (200/250/320 kg) or 2 falls hoist (500 kg).
- > Lifting speed : 4 m/min (1 fall).
- > Center to center hoist.
- > Clutch on the safe side.
- > Same iconic design that actual SR range (oval shape).
- > Hoist body : 100% aluminum body, no plastic parts.
- > Double brake as standard
- > Rotating upper and lower hooks.
- > DIN hooks.
- > Rubber ergonomic grip on top hook.
- > IP55 Protection.
- > 4 x 11 chain.
- > Available in Version A (direct control), Version B (Low voltage control).
- > Black CE P17 plug for better integration.
- > Black lifting chain.
- > Free maintenance brake.
- > RAL7021 epoxy paint.
- > Climbing hoist or industrial suspension configuration can be changed simply by reversing the chain container.
- > **PERFECT PUSH**. New patented concept, 5 pocket load wheel, fitted with 5 intermediate teeth. This innovation provides improved chain guiding and chain flow, to help reduce the risk of chain jamming.
- > **CHAINFLUX** as standard. Horizontal ejection of the chain.
- > Electric limit switch (on B version).

Stagemaker SR1	1 fall		2 falls	
	D8+	D8	D8+	D8
SWL (kg)	Up to 250 kg	Up to 320 kg	Up to 250 kg	Up to 500 kg
Dimensions	Best dimensions on the market with 1 or 2 brakes		Best dimensions on the market with 1 or 2 brakes	
Body weight (kg)	10,4		10,4	
Sound level	50 db		50 db	
Integration into 12" truss	Yes		Yes	
Double brake as standard	Yes		Yes	
Chainflux as standard	Yes		Yes	
PerfectPush as standard	Yes		Yes	
Electric limit switch as standard	Yes <small>(on low voltage type B version)</small>		Yes <small>(on low voltage type B version)</small>	
Versatile use of the hoist <small>(Climbing hoist or industrial suspension)</small>	Yes <small>(just by reversing the hoist)</small>		Yes <small>(just by reversing the hoist)</small>	

Options

- > Version A or B.
- > Handles.



Stagemaker SR1 double brake fits perfectly in a 12" truss.

Types of control and technical characteristics*

Features / Versions

Version A : motor 3 phases with direct control

Version B : motor 3 phases with low voltage control

3 phase hoists (400 V/415 V/3 Ph/50 Hz) with direct voltage control (ACF board)	●	▲
3 phase hoists (400 V/415 V/3 Ph/50 Hz) with low voltage control (48V)	▲	●
BGV-D8+ version	●	●
BGV-D8 version	○	○
Complies with standards : CE, CSA, EAC, EN 17206	●	●
IP 66 (soon available)	▲	▲
Easy changeover for using motor in climbing hoist configuration or industrial suspension	●	●
Hoist delivered with G100 black electro galvanized chain (except SR25)	●	●
"CHAINFlux MKII" specially designed chain guide	●	●
"Limitflux" : magnetic limit switch (SL5 and SL10 1 fall)	▲	●
Electric limit switch on SR1,SL10 (2 falls) and 25	▲	●
Gear limit switches 2 steps	▲	○
Gear limit switches 4 steps	▲	○
"PerfectPush" : new load wheel with 5 pockets and 5 intermediate guide teeth	●	●
Class F hoisting motor	●	●
Adjustable torque limiter	●	●
2 brakes	●	●
1 brake	○	○
Self adjusting, maintenance free, DC disk brake	●	●
Available power supply : 400-415 V/3 Ph/50 Hz	●	●
Available power supply : 400-415 V/3 Ph/60 Hz	○	○
Available power supply : 230 V/3 Ph/50 Hz	○	○
Black painted hoist body (RAL 7021)	●	●
Rotating upper and lower hooks	●	●
Upper hook fixed and lower hook rotating (industrial suspension configuration)	○	○
Suspension bracket instead of upper hook (SL5 & 10)	○	○
Retractable, rubber clad ergonomic handgrips (except SR1 in option and not available on SR25)	●	●
Lifting hook has an ergonomic, rubber clad, gripping surface	●	●
High capacity, reversible chain bag	●	●
Standards connection cable : CE plug P17 type, 4 poles 16A (red : power supply/control)	●	▲
CE plug P17 type, 4 poles 16A (red : power supply and yellow : control)	▲	●

● Standard ○ Option ▲ Not available

Specifications

Load capacity (kg)	D8+ Models (Standard version) 2 brakes	D8 Models (Optional version) 1 brake	Speed 50Hz (m/min)	Number of falls	Chain size (mm)	Motor power (kW)	Weight of hoist: - without chain -with 2 brakes	Weight of chain per meter (kg) ²
125	SR1 124 m1	SR1 124 m1	4	1	4 x 11	0,2	10,4	0,37
160	SR1 164 m1	SR1 164 m1	4	1	4 x 11	0,2	10,4	0,37
200	SR1 204 m1	SR1 204 m1	4	1	4 x 11	0,2	10,4	0,37
250	SR1 254 m1	SR1 254 m1	4	1	4 x 11	0,2	10,4	0,37
	SR1 252 m1	SR1 252 m1	2	2 ⁽¹⁾	4 x 11	0,2	10,4	0,37
	SL5 258 m2	SL5 258 m2	8	1	5,1 x 15,1	0,73	30,8	0,62
	SL5 2516 m1	SL5 2516 m2	16	1	5,1 x 15,1	0,73	30,8	0,62
320		SR1 324 m1	4	1	4 x 11	0,2	10,4	0,37
		SR1 502 m1	2	2 ⁽¹⁾	4 x 11	0,2	10,4	0,37
	SL5 504 m1	SL5 504 m1	4	1	5,1 x 15,1	0,73	30,8	0,62
		SL5 508 m1	8	1	5,1 x 15,1	0,73	30,8	0,62
500	SL10 508 m1		8	1	7,2 x 21,1	1,8	47,6	1,2
		SL5 516 m1	16	1	5,1 x 15,1	0,73	30,8	0,62
		SL10 516 m1	16	1	7,2 x 21,1	1,8	47,6	1,2
800	SL10 808 m1		4	2	7,2 x 21,1	1,8	47,6	1,2
1000	SL10 1004 m2	SL10 1004 m2	4	1	7,2 x 21,1	1,8	47,6	1,2
		SL10 1008 m1	8	1	7,2 x 21,1	1,8	47,6	1,2
1250	SR25 1204 m2	SR25 1204 m2	4	1	11,3 x 31	3,6	114,3	2,81
	SR25 1208 m2	SR25 1208 m2	8	1	11,3 x 31	3,6	114,3	2,81
1600	SL10 1604 m1	SL10 1604 m1	4	1	11,3 x 31	1,8	47,6	1,2
2000		SL10 2004 m1	4	2	7,2 x 21,1	1,8	47,6	1,2
2500		SR25 2504 m1	4	1	11,3 x 31	3,6	114,3	2,81
	SR25 2504 m1		4	2	11,3 x 31	3,6	114,3	2,81
		SR25 2508 m1	8	1	11,3 x 31	3,6	114,3	2,81
5000		SR25 5004 m1	4	2	11,3 x 31	3,6	114,3	2,81

(1) Maximum height of lift : 15m

(2) Multiply value by 2 for 2 falls unit



STAGEMAKER® Controllers

The STAGEMAKER Controllers has been specifically developed for the control of STAGEMAKER VERLINDE motors (chain hoist) of the SR & SL series. 3 Ranges are available from our catalog ECO, RIGGER, THEATER. The controllers come with 4, 8 or 12 channels and can be integrated in a compact flight case (19" rack 3U to 6U) or a vertical flight case depending on the model. The STAGEMAKER Controller allows you to control the show motors individually or by group by simply pressing a button. Motor pre-selection system for each control unit, selection panel / remote control comes as standard feature.

The STAGEMAKER motors equipped with options such as : low voltage control, adjustable limit switch and thermal protection for lifting motor can also be controlled by this system using a single power supply cable. For larger applications, STAGEMAKER Controllers can be connected with master/slave functionality. All the motors selected will be activated simultaneously by a single button.

Other configurations are available on request.

The STAGEMAKER Controller satisfies the current European safety standards relative to electrical equipment (IEC & EMC) and has been approved by official European institutes. These control systems provide the user with a high level of flexibility, durability and safety.

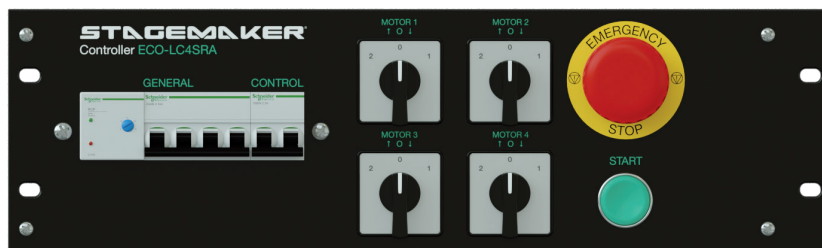
> Controller Eco

ECO, as indicated by the codification name, this range offer best equipment/price approach.

- > Solid state direct control controller in steel case for 4 or 8 channels.
- > Size : Rack 19" wide, 3U (4 ch.) and 6U (8 ch).
- > Power supply : 400/ 415 V 3PH+N – 50/60Hz.
- > Power-in plug 32 A 5p CE.
- > Phase monitoring indicating lamp.
- > Multi connector output for each group of 4 motors.
- > In addition, CE form 4p 16A out per hoist channel.
- > Short circuit protections : power & control circuit.
- > Thermal protection per group of 4 motors.
- > Max. power per channel : 1,8 kW / 400 V 3 Ph.

Options available

- > Dedicated flight case in 19", 3U or 6U format available.



Range	Connector	Model
Controller Eco Rack 19" - 4 channels	1 x 16 multi connector + 4 x 4p CE	ECO-LC4SRA
Controller Eco Rack 19" - 8 channels	2 x 16 multi connector + 8 x 4p CE	ECO-LC8SRA

> Controller Rigger Suitcase

RIGGER, this range of controller in suitcase is designed for our A STAGEMAKER RANGE (Direct control).

- > Phase detection and automatic correction of the phases.
- > Standard built in Master/slave functionality.
- > Power supply :
400/ 415 V 3PH+N – 50/60Hz.
- > Power-in plug 32 A 5p CE.
- > P17 CE form 4p 16 A out for controllers in a hand case.
- > Short circuit protections :
power & control circuit.
- > Thermal protection per group of 4 motors.
- > Max. power per channel :
1,8 kW / 400v 3 Ph.
- > High quality ABS professional Suitcase (Pellicase or equivalent).



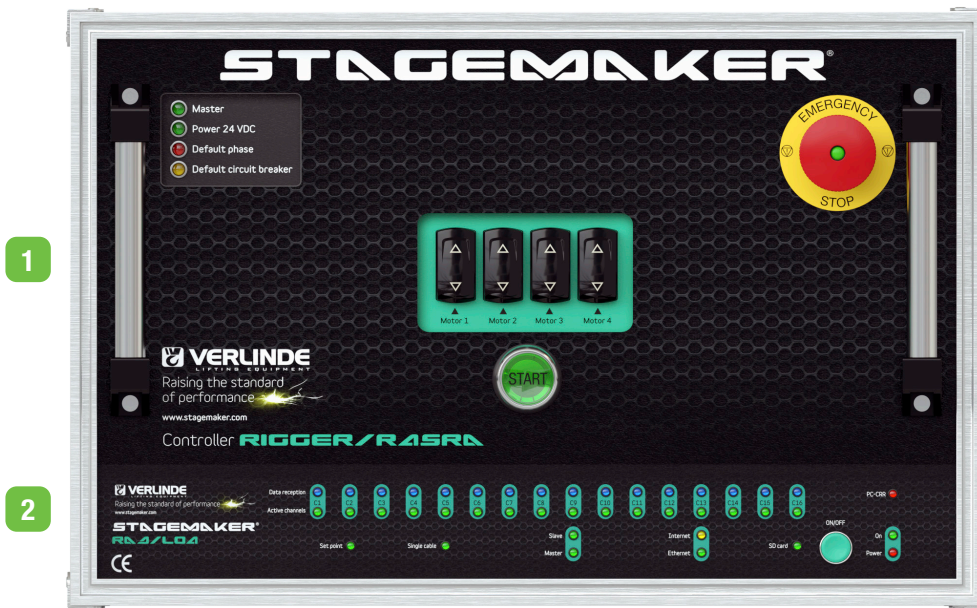
Range	Connector	Model
4 ch. compact controller in suitcase	4p CE	SC4SR
8 ch. compact controller in suitcase	4p CE	SC8SR



STAGEMAKER® Controllers

> Controller Rigger Rack 19"

RIGGER, this range of 19" controller rack is designed for our A STAGEMAKER RANGE (Direct control).



Example of configuration :

- 1 Controller Rigger R4SRA 4 channels direct control.
- 2 Central Radio Receiver for radio load cell.
- 3 Wired remote control.

- > Phase detection and automatic correction of the phases for all the range RIGGER.
- > Standard built-in cabling for possible remote (wired or wireless) for all the range RIGGER rack 19".
- > Standard built in Master/slave functionality.
- > Power supply : 400/ 415 V 3PH+N – 50/60Hz.
- > Power-in plug 32 A 5p CE.
- > Multi connector output one for each 4 motors.
- > 24/48 Vdc control voltage.
- > Short circuit protections : power & control circuit.
- > Thermal protection per group of 4 motors.
- > Max. power per channel : 1,8 kW / 400 V 3 PH.

Range	Connector	Model
Controller Rigger rack 19" - 4 channels	1 x 16 multi connector	R4SRA
Controller Rigger rack 19" - 8 channels	2 x 16 multi connector	R8SRA
Controller Rigger rack 19" - 12 channels	3 x 16 multi connector	R12SRA

Options available

- > **Wired remote control** : remote for 4, 8 and 12 channels controller (25 m of cable).
- > **Radio remote control** : 32 channels radio receiver 19" and remote emitter for controller type R4SRB, R8SRB or R12SRB.
- > **Altimetry measure and automation** : additional module for individual or group hoist positioning management. To be integrate with B type hoist with built-in encoder.

- > **Load measuring** : : XLR connector and 2 m cable for connection to Set point, for integration of STAGEMAKER LOAD CELL system.
- > **Flight cases** : large choice of Flight case 19" available in Premium or Eco version (see page Flight cases).

Rubber protection and carrying belt for Radio transmitter 32 channels.



HF offset kit to improve radio reception in case of disturbed transmission with radio remote control option.



Radio receiver is equipped as standard with a slot for the remote storage.



Feature deliver as standard on Rigger and Theater Range : visual monitoring of the emergency stop button status.



>Controller Theater Rack 19"

THEATER, this family of controller is designed for our B STAGEMAKER RANGE (Low voltage control).

1



2

Range	Connector	Model
Controller Theater rack 19" - 4 channels	4 x 6p multi connector	R4SRB
Controller Theater rack 19" - 8 channels	8 x 6p multi connector	R8SRB
Controller Theater rack 19" - 12 channels	3 x 32p multi connector	R12SRB

3



Example of configuration :

- 1 Controller Theater R12SRB 12 channels low voltage control.
- 2 Central Radio Receiver for remote control.
- 3 Radio emitter for remote control.

- > Phase detection and automatic correction of the phases for all the range THEATER.
- > Standard built-in cabling for possible remote option (wired or wireless) for all the range THEATER.
- > Standard built in Master/slave functionality.
- > Power supply : 400/415 V 3PH -N - 50/60Hz.
- > Power-in plug 32 A 5p CE.
- > 6 poles connectors output per hoist (type HE6).
- > 24/48 Vdc control voltage.
- > Short circuit protections for power and control circuit.
- > Thermal protection per group of 4 motors.
- > Max. power per channel : 1,8 kW / 400 V 3PH.

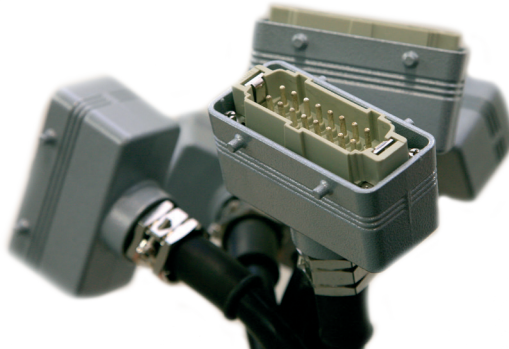
Options available

- > **Wired remote controled** : remote for 4, 8 and 12 channels controller (25 m of cable).
- > **Radio remote control** : 32 channels radio receiver 19" and remote emitter for controller type R4SRB, R8SRB or R12SRB.
- > **SIL3** option for controller rack 19", in version 4, 8 or 12 channels (option available only at order step, no possible retrofit).
- > **Altimetry measure and automation** : additional module for individual or group hoist positioning management. To be integrate with B type hoist with built-in encoder.
- > **Load measuring** : XLR connector and 2 m cable for connection to Set point, for integration of STAGEMAKER LOAD CELL system.
- > **Flight cases** : large choice of Flight case 19" available in Premium or Eco version (see page Flight cases).



Cables, accessories & tools

- > Pushbutton controller for 1 or 2 motors (version A only).
- > Connection cable for 2 controllers (Master/Slave connection).
- > Splitter box to connect up to 5 controllers.
- > Multiple connection cable for motors :
 - P17 red plug for control & power supply of the hoist (10 or 20 m).
 - P17 red plug for power supply of the hoist (10 or 20 m).
 - P17 yellow plug for control of the hoist (10 or 20 m).
- > Splitter fan in or out (Multiple connector, P17 red, P17 yellow,...).
- > Splitter fan in or out (harting, P17 red, yellow,...)
- > Remote control with emergency stop for 1 or 2 channels.
- > Remote control with pickle shape (version B only).
- > Rain cover for lifting unit.
- > Maintenance tool for lifting unit.







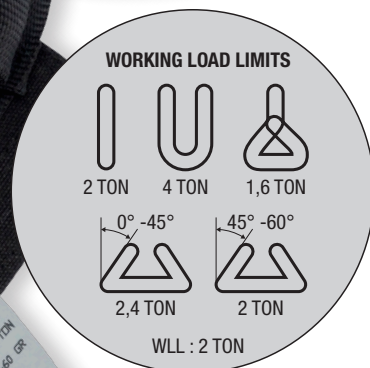
STAGEMAKER®

Soft steel

- > 2000 kg SWL (SF 5/1).
- > Black cover.
- > Safety factor 5:1.
- > 24 x 2 mm 7 x 19 SWR.
- > Double copper ferrule.
- > Inspection-hole with Velcro cover.
- > EN 13414-1 & EN 13411 & EN 13411-1*.
- > Grey identification label with user instruction, CE certification, and technical datas in English.
- > BGV-C1 Approval**.

* Where applicable.
 ** With german label only.

Weight capacity (SF 5/1) (kg)	Weight capacity (SF 10/1) – C1 (kg)	Work length (m)*
2000	1000	0.5
2000	1000	1.0
2000	1000	1.5
2000	1000	1.6
2000	1000	2.0
2000	1000	2.5
2000	1000	3.0



STAGEMAKER®

Radio load cell Wireless system for load measuring

Advantages

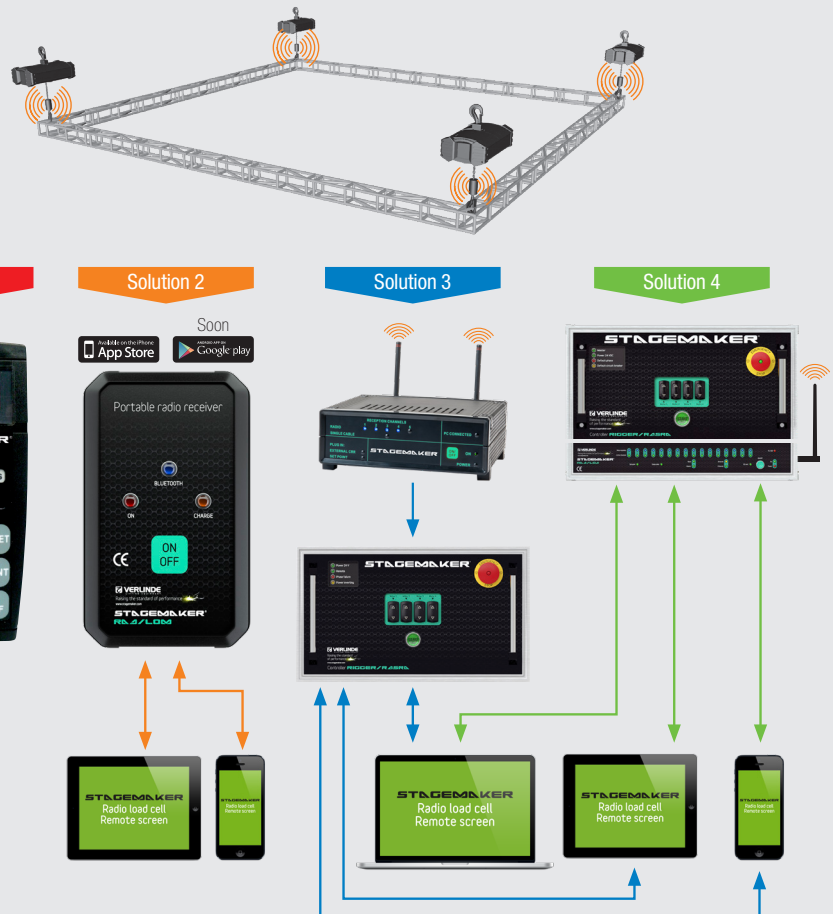
- > Completely wireless: No messy cables & higher reliability: Multiple channels ensure reliable transmission. Each load cell transmits independently no danger of damage to one cable that will ruin the entire system ability to monitor the loads. STAGEMAKER RADIO LOAD CELL's very long battery life ensure complete independence of the power system. This, together with UPS (Uninterruptible Power Supply) to backup the central radio receiver, enables continuous load monitoring even in power shut down. Especially suitable for touring and rentals.
- > With SRLI : one-time installation and then the load cell can stay as integral part of the hoist during entire tours, saving the installation time.
- > Very low headroom loss.
- > Up to 200 load cells on one Central Radio Receiver.
- > Load cells are available with a safety factor of 5 or 10.
- > No need for any extra accessories like shackles with SRLI.
- > Enables easy retrofit to all existing hoists that are in the market (entertainment and industrial).
- > Will make the periodical maintenance / service of the hoist easier.
- > Enables 5000 hours battery life, optional 10,000 hours i.e. more than a year of continuous use, no sleep mode or standby mode which are not acceptable from a safety point of view.

Range SRLM, SRLI load cell

Model	0 kg	250 kg	500 kg	1000 kg	2000 kg	2500 kg	5000 kg	Dedicated hoist
SRLM/SRLI 25	██████████							Stagemaker SR1
SRLM/SRLI 50	██████████████████							Stagemaker SR&SL5/SR&SL10
SRLM/SRLI 100	██████████████████████████							Stagemaker SR10 & SL10
SRLM/SRLI 200	██████████████████████████████████							Stagemaker SR10 & SL10/SR25
SRLM/SRLI 250	██							Stagemaker SR25
SRLM/SRLI 500	██							Stagemaker SR25

Options

- > **Set point**, for integration of STAGEMAKER LOAD CELL system with any controller (use option XLR on Controller price list).
- > **Real time cellular SMS alert** on overload occurrence.
- > **Additional channel** : Per load cell, per channel or Per Central Radio Receiver, per channel. Explanation about the dual triple and quad frequency channels : each STAGEMAKER LOAD CELL will come standard with 2 frequency channels. Two additional channels may be added as an optional feature. The system will switch between channels once per second and will continuously cycle through all available channels while in operation. The dual system will simply switch between channels, when using three or four channels the system will run through all the channels in order. This cycling through the channels increases safety and reliability. If one channel is blocked due to environmental interference, the system will receive a reliable reading on an alternative channel within one second. This will negate the possibility of not receiving transmission.
- > **Single wire option** for the wireless receiver.
- > **Slave & master Central Radio Receiver** for increased range, harsh conditions, and the ability to monitor several halls in one control room : slave Central Radio Receiver (Laptop not included). Master Central Radio Receiver (Laptop included).





> **SRLI**
Stagemaker
radio load cell

integrated on Stagemaker SR or SL
lifting chain



> **SRLM**
Stagemaker
radio load cell

on Stagemaker SR or SL with shackles



Storage options

In ABS suitcase



In a 19" drawer rack flightcase



STAGEMAKER®

Flight cases

A broad range of flight cases specially designed for the STAGEMAKER® motors and controllers is available.

STAGEMAKER® SR hoist range of flightcases

>Premium

- > Configuration type "trunk".
- > Top hinge cover
- > Panel all Birch shot 9 mm finish hexa black ultra resistant.
- > 2 fasteners recessed Butterfly (PENN).
- > 2 stop cover (PENN).
- > 8 recessed spring-loaded handles (PENN).
- > 4 casters 2 locking on turntables D100.
- > 4 cup stacking.
- > Tipage pads on the sides.

- > 2 visualization windows.
- > Sticker STAGEMAKER® Marking.
- > Sticker production plate.

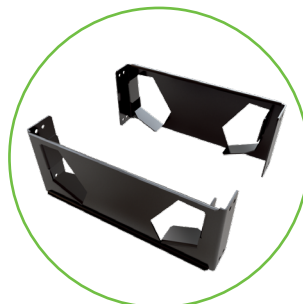
Inside disposition

- > Mobile Cribs Sheet for easy version or double brake (ajustables).
- > 2 Trays chain at the center.

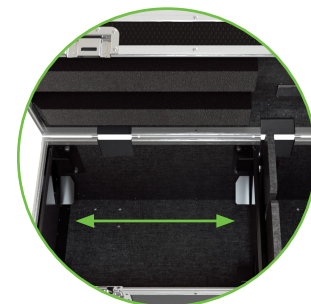


Designation	Dimensions (mm)
Flight case for 2 x SR1 (simple or double brake)	510 x 410 x 550
Flight case for 4 x SR1 (simple or double brake)	760 x 510 x 550
Flight case for 6 x SR1 (simple or double brake)	1110 x 510 x 550
Flight case for 1 x SR5 (simple or double brake)	615 x 600 x 540
Flight case for 2 x SR5 (simple or double brake)	1130 x 595 x 605
Flight case for 1 x SL5 (simple or double brake)	620 x 600 x 570
Flight case for 2 x SL5 (simple or double brake)	990 x 600 x 570
Flight case for 1 x SR10 (simple or double brake)	660 x 630 x 590
Flight case for 2 x SR10 (simple or double brake)*	1200 x 630 x 655
Flight case for 1 x SL10 (simple or double brake)*	910 x 470 x 655
Flight case for 2 x SL10 (simple or double brake)	1230 x 670 x 655
Flight case for 2 x SR25 (simple or double brake)	800 x 600 x 755

* Not recommended cause of final weight, please prefer solution of flight case solo.



Perfect shape of the brackets to secure the hoist at bumper level.



Adjusting brackets to fit with hoist configuration (1 or 2 brakes).

>Eco

- > Configuration type "trunk".
- > Cover top hinge.
- > Panel all Birch shot 9 mm.
- > 2 fasteners recessed Butterfly (PENN).
- > 2 stop cover (PENN).
- > 4 recessed spring-loaded handles (PENN).
- > 4 casters 2 locking on turntables D100.

- > Sticker STAGEMAKER® Marking.
- > Sticker production plate.

Inside disposition

- > Mobile Cribs Sheet for easy version or double brake (ajustables).
- > 2 trays chain at the center.

Designation	Dimensions (mm)
Flight case for 2 x SR1 (simple or double brake)	510 x 410 x 550
Flight case for 4 x SR1 (simple or double brake)	760 x 510 x 550
Flight case for 6 x SR1 (simple or double brake)	1110 x 510 x 550
Flight case for 1 x SR5 (simple or double brake)	615 x 600 x 540
Flight case for 2 x SR5 (simple or double brake)	1130 x 595 x 605
Flight case for 1 x SL5 (simple or double brake)	620 x 600 x 570
Flight case for 2 x SL5 (simple or double brake)	990 x 600 x 570
Flight case for 1 x SR10 (simple or double brake)	660 x 630 x 590
Flight case for 2 x SR10 (simple or double brake)*	1200 x 630 x 655
Flight case for 1 x SL10 (simple or double brake)*	910 x 470 x 655
Flight case for 2 x SL10 (simple or double brake)	1230 x 670 x 655
Flight case for 1 x SR25 (simple or double brake)	800 x 600 x 755

* Not recommended cause of final weight, please prefer solution of flight case solo.



STAGEMAKER® SR controller range of flightcases

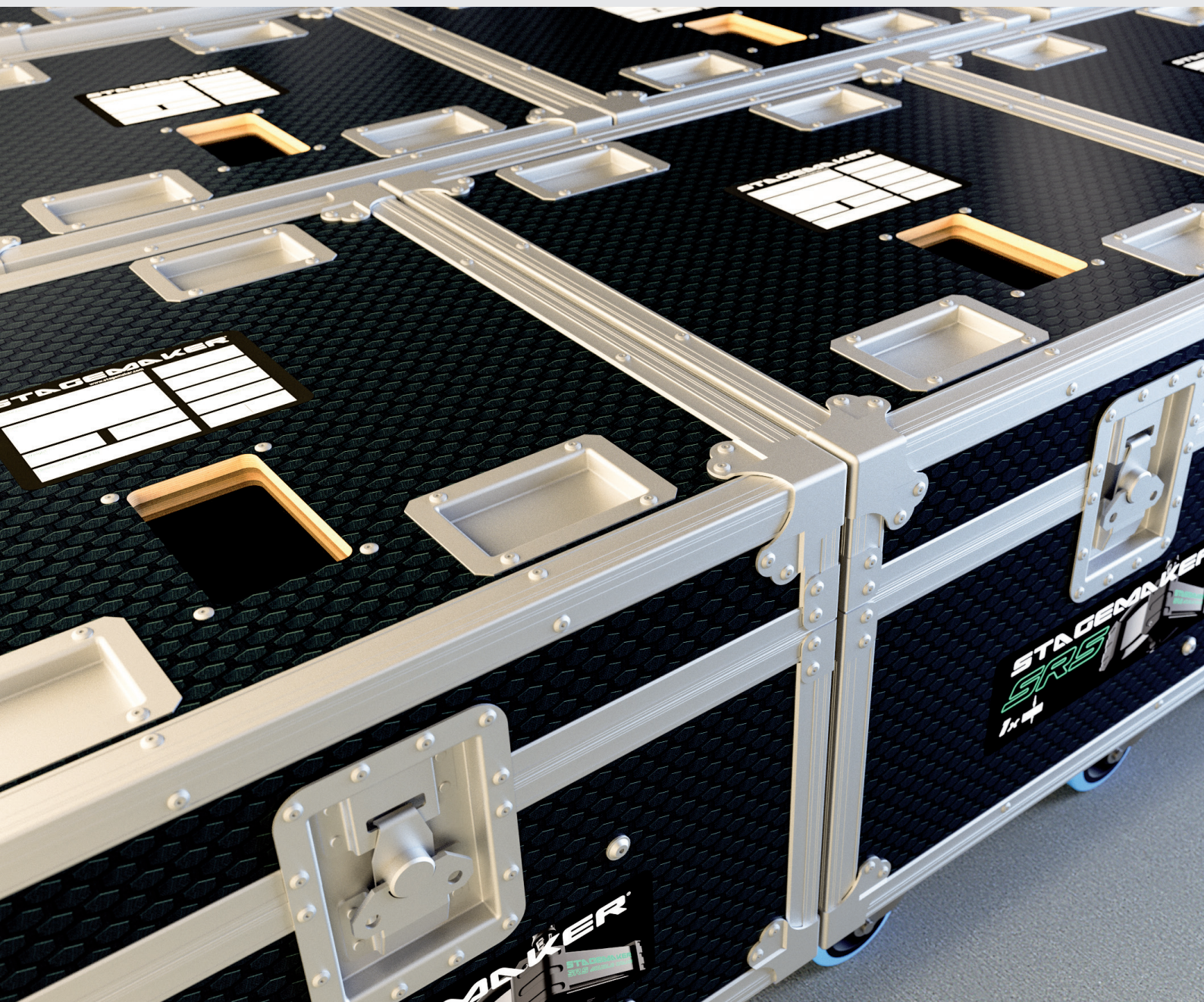


> Premium

- > Configuration type flat flight case for Rack 19" and multiple of U dimensions.
- > Front and back moulded plastic cover.
- > Panel all Birch shot 9 mm finish hexa black ultra resistant.
- > 4 recessed spring-loaded handles.
- > 4 cup stacking.

Inside disposition

- > Controller push inside along rail in drawer position type.



Cable guide

> Premium : Chainrunner

powered by

STAGEMAKER®



The ChainRunner is used to manage power, control, audio and data cables associated with moving truss applications, eliminating the necessity for very expensive spring driven cable reels and eradicating the home made gizmos that abound in the industry. The ChainRunner is simple to fix with no need to remove chain or hook from the chain hoist and no additional tooling is required.

Once fitted the ChainRunner cannot become disconnected from the chain whilst under load. By placing an adequate number of ChainRunners on the chain, any attached cables will neatly and safely loop in and out as the truss is moved.

Chainrunner Premium

Chain dimensions

Produce according to customer request

Hoist type

Stagemaker SM1/SM2/SM5/SM10/SM16/20
Stagemaker SR1/SR5/SR10/SR25
Stagemaker SL5/SL10

- > Unique size.
- > Dimensions : 65 x 45 mm approx.
- > Weight : 142 gr approx.
- > SWL : 20 kg.
- > Manufactured from 6063 T5 Aluminium.
- > Finish : black anodised aluminium.
- > Marquage par gravure laser.
- > Designed & Manufactured to ISO 9001-2001.



Chainrunner partially deployed



Chainrunner fully extended



Chainrunner fully retracted

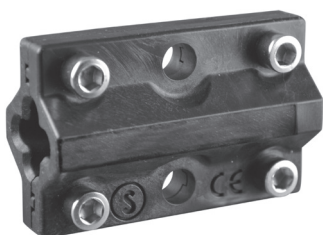
> Eco : Tourslider



- > 2 models : M & L.
- > 1 fixing point (10 mm).
- > Designed to work with Industry standard hoist.
- > Made out of low friction Black Polyoxymethylene (POM).
- > Toolless installation.
- > Installation w/o disassembly of the 2 plastic parts, chain or hook.
- > Not available for sales in UK and USA.



> Eco : Chainslider



- > 3 models : S, M & L.
- > Dual 9 mm cable attachment points.
- > Designed to work with Industry standard hoist.
- > Made out of low friction Black Polyoxymethylene (POM).
- > CE marked.
- > Not available for sales in UK and USA.

Chainslider Eco and Tourslider Eco

Designation	Chain dimensions	Hoist type
Chainslider S	4 < 5,5 mm	Stagemaker SM1/SM2/SM5 Stagemaker SR1/SR5 Stagemaker SL5
Chainslider M Tourslider M	5,5 < 7 mm 6,1 < 7,2 mm	Stagemaker SM10 Stagemaker SR10
Chainslider L Tourslider L	7,5 < 9 mm 7,9 < 9 mm	Stagemaker SL10 Stagemaker SM16

STAGEMAKER®

Load fall arrester

>Premium

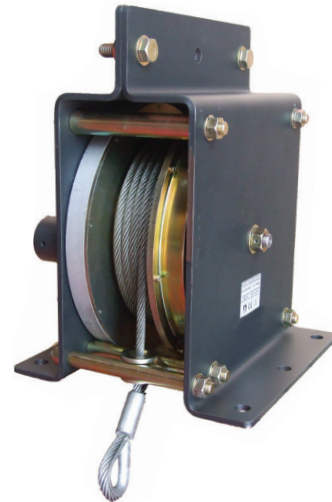


STAGEMAKER LOAD FALL ARRESTER PREMIUM is a complete automatic device using the latest mechanical concepts which mainly has been approved on thousands of devices now available worldwide. All units are made out of a steel housing with esthetical color and shape. Internal parts like axles, ratchet, bearing, shaft and drum are made of high mechanical resistance steel and offer best corrosion proof due to paint treatment.

- > Housing : corrosion treated steel.
- > Screws and bolts : zing plated steel.
- > Locking system : with 2 pawls.
- > Type of cable : galvanised.
- > Standard working speed : 20 m/min.
- > Maximum stopping distance : < 60 cm.
- > Maximum number of cycles : max. 50 cycles a day.
- > CE marked.

Premium light range	
Load (kg)	Cable length (m)*
250	10
250	15
250	20
250	30
500	10
500	15
500	20

* Other length on request.



Premium heavy range	
Load (kg)	Cable length (m)*
1000	12
1000	25
1500	10
1500	25
2000	10
2000	20
2500	10
2500	17

* Other length on request.

>Eco

STAGEMAKER LOAD FALL ARRESTER ECO, as indicated by codification name, this range of stop fall offer the best equipment/price approach.

- > Type of cable : steel galvanized.
- > Body frame from Polymer high duty, virtually indestructible.
- > Breaking point : > 3 k.
- > Connector : 2 carabiners with screw locking device.
- > CE marked : 2006/42/CE.

Eco light range	
Load (kg)	Cable length (m)*
250	10
300	10
300	15
400	10
400	15
400	20
500	10
500	15

* Other length on request.



Other products

> Hand chain hoist VHR

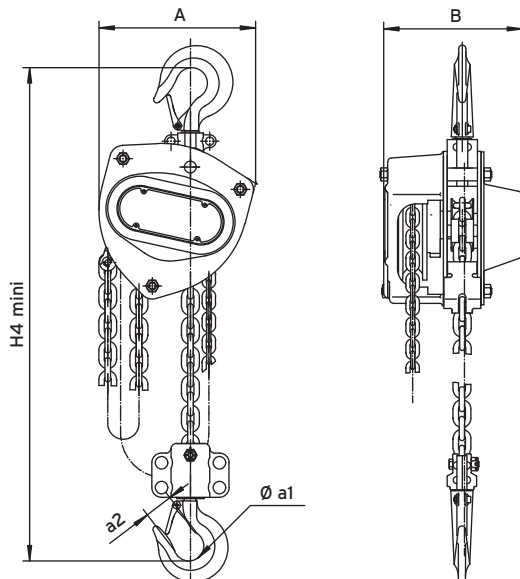
For loads from **500** kg to **1000** kg

The VHR is a compact, high-performance hand chain block with rugged good looks, tested according to official applicable standards.

- > Built in load limiter as standard.
- > Machined chain sprocket and gears provide smoother, more efficient operation.
- > 3 meters standard lift. Hand chain is 0.5 meters less than lift chain. Non-standard lifts available.
- > High strength grade 80 alloy steel load chain with galvanized finish for corrosion resistance (comply with EN 818, safety factor 4).
- > VHR's compact design offers safety together with reduced weight. Ideal for construction and maintenance applications.
- > Steel casing solidly protects chain sprocket, gearcase and handwheel cover.
- > Hooks are alloy steel, heat treated and equipped with hook latches and inspection points.
- > Weston type load brake mechanism.
- > High-resistance RAL 7021 powder coating, 70 µ thick.
- > Delivered with CE certificate, and hook and chain certificate.

Option : A wide range of options is available for this hand chain block :

- > VHR is stainless steel lift chain and hand chain.
- > Chain bag.



Load	A	B	Ø a1	a2	H4 mini	Chain	Number of fall	Pulling force (kg)	Weight (kg)
500 kg	148	132	35	23	345	5 x 15	1	35	11
1000 kg	172	151	40	27	376	6 x 18	1	25	12.5





> Manual travel trolley CHD

For loads from **250** kg to **10000** kg



CHD is equipped with a traversing beam with dedicated area for hook suspension.

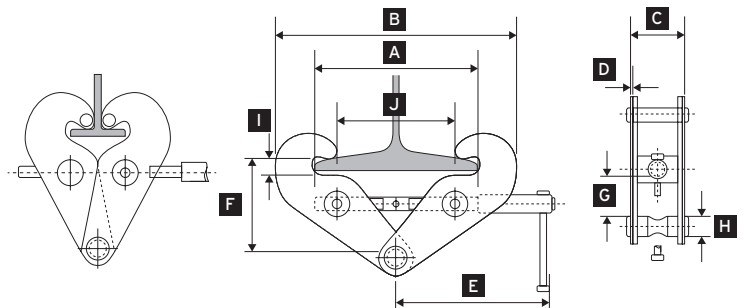
- > The distance between flanges can be adjusted as required.
- > Travel is ensured by pushing or by hand wheel and chain.
- > The rollers are mounted on ball-bearings with removable axle.
- > The rollers are compatible with any type of monorail girder.



> Girder clamp PAP

For loads from **1000** kg to **5000** kg

The PAP enables a lifting device to be hooked in fixed position from a girder, an attachment point for hoisting profiles, installation of mechanical limit switch (stop) at low cost... Its applications are limited only by your imagination!



Load	I-beam width range (mm)	Net weight (kg)	A (mm)	B maxi (mm)	B mini (mm)	C (mm)	D (mm)	E (mm)	F maxi (mm)	F mini (mm)	G mini (mm)	H (mm)	I (mm)	J (mm)
1000	75-230	3.9	240	192	340	70	5	210	150	45	75	20	20	185
2000	75-230	5	240	192	340	78	6	210	150	45	90	20	20	185
3000	80-320	9.5	316	238	445	106	8	250	207	165	76	22	34	261
5000	90-310	11.3	306	248	455	114	10	250	210	167	76	28	34	251

STAGEMAKER

Eurosystem ALD

For loads up to **2000** kg

Overhead handling system made from aluminium hollow profile, specially dedicated for theater, arena or fix installation.

This new range of aluminium hollow profile offer possibility, from wide range of modular components portfolio, to simply built a crane or a monorail track in order to support an electric chain hoist. Both manual or electric trolley provide smooth and quiet travelling / crossing of the load.

From the high modularity concept of the system, all existing installation could be easily update or upgrade.



> Ergonomic

Light rails means users can very easily and effortlessly handle heavy and cumbersome loads.

> Accurate

Accuracy is ensured through high quality manufacture and smooth movements.

> Anti-corrosion

The aluminium profiles are externally and internally anodised.

> Economical

Reduce weight of supporting structure.

> Technological

The beam is the result of the latest innovations in cold extrusion and structure optimisation.

> Practical

The beam is compatible with all ITEM standard accessories.

> Lasting

Strong resistancy to wear and tear is the result of anodisation and the roller materials.

> Safety

The beam is guaranteed without welding.

> Silence

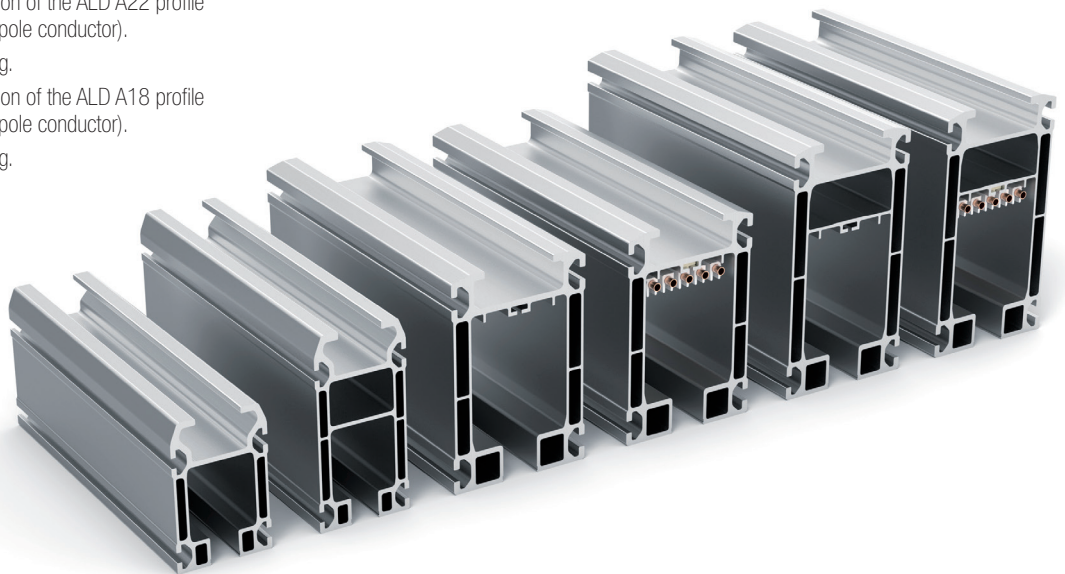
Operates silently due to the precise manufacture of the movement surface.



Profiles are available in black as well.

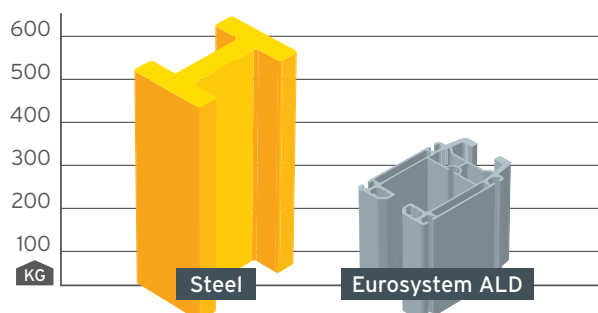
6 sizes of beam

- > A 22 R is the strengthened version of the ALD A22 profile with integrated power supply (5 pole conductor).
- > A 22 for loads of up to 2,000 kg.
- > A 18 R is the strengthened version of the ALD A18 profile with integrated power supply (5 pole conductor).
- > A 18 for loads of up to 1,000 kg.
- > A 16 for loads of up to 500 kg.
- > A 12 for loads of up to 500 kg.



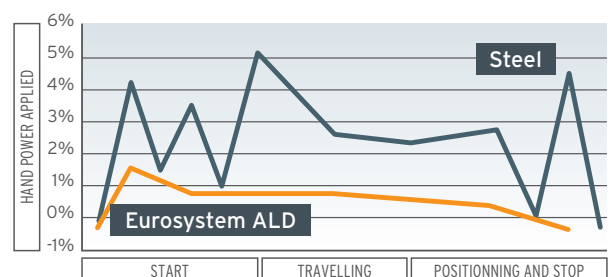
Reduced cost of supporting structures

- > 2 times lighter than its steel equivalent.
- > Easy to install and use.
- > Economical for lifting structures.



Better workstation ergonomics and increased productivity

Compared with steel rails, when manually moving loads, the movement coefficient of the trolley rollers is greatly reduced in order to minimise operator effort.



A **leader** in lifting equipment with a
large range of hoisting units from 60 to 250 000 kg.

Europe and USA **quality control** certified.

A customer service in more than **92** countries.



STAGEMAKER® worldwide

Distributors in Germany, Holland, Belgium, Italy, Argentina, Austria, Brazil, Chilli,
Ireland, United Kingdom, Spain, Sweden, Norway, Finland, France, Portugal,
Hungary, Poland, Russia, Denmark, China, Thailand, Indonesia, Malaysia,
United States, Canada, Mexico,...

To locate distributor in your country, please consult: www.stagemaker.com

STAGEMAKER Europe

VERLINDE

2, boulevard de l'Industrie - B.P. 20059

28509 Vernouillet cedex - France

Téléphone : +33 (0)2 37 38 95 95

Fax : +33 (0)2 37 38 95 99

Internet : www.stagemaker.com

